



KX250ZDF/ZEF



PARTS CATALOG



KX250ZDF/ZEF

PARTS CATALOG
KAWASAKI MOTORCYCLE

Kawasaki Motors Enterprise (Thailand) Co., Ltd.

NOVEMBER 2013

This catalog covers:
'13~'14 KX250ZDF/ZEZ

GROUP NO.

A

This page covers:
Color Combination Parts List



'13 Lime Green (777)



'14 Lime Green (777)

Year & Model
'13 KX250ZDF
'14 KX250ZEZ

Color
'13 Lime Green (777)
'14 Lime Green (777)

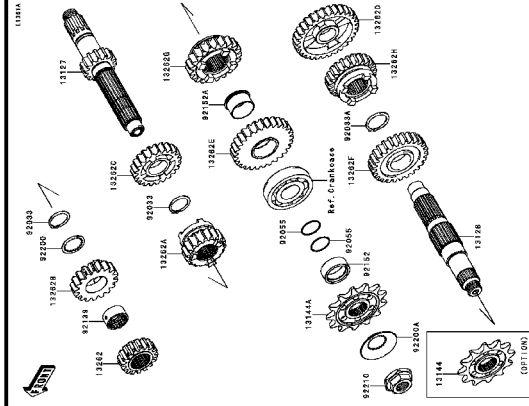
Description	Group No.	Part Number	
		'13 Lime Green	'14 Lime Green
FENDER-FRONT	E-9	35004-0319-290	35004-0319-290
FENDER-REAR	E-9	35023-0357-6C	35023-0357-266
COVER-SIDE,LH	F-13	36001-0220-6C	36001-0598-266
COVER-SIDE,RH	F-13	36001-0222-6C	36001-0600-266
SHROUD-ENGING,LH	D-3	49089-0832-25M	49089-0832-25M
SHROUD-ENGING,RH	D-3	49089-0833-25M	49089-0833-25M
PLATE-NUMBER	G-7	58029-0056-6C	58029-0056-266

This catalog covers:

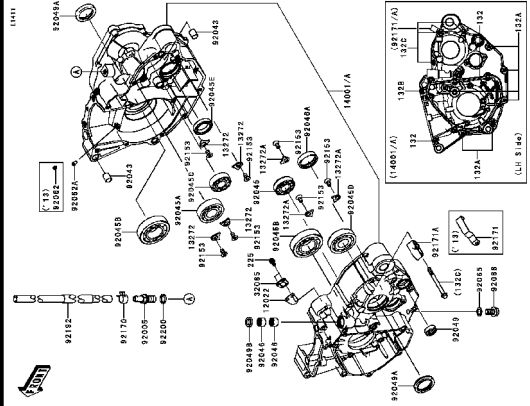
'13~'14 KX250 ZDF/ZEF Engine

GRID NO. This grid covers:

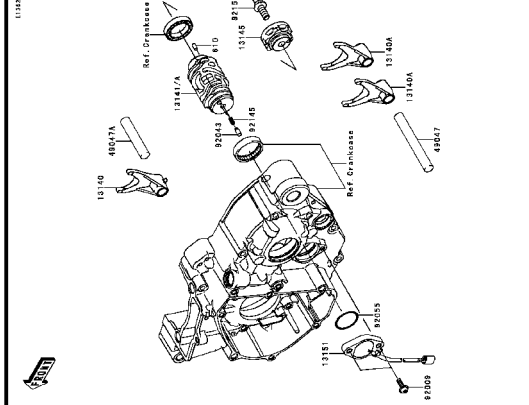
C-1 Pictorial Index



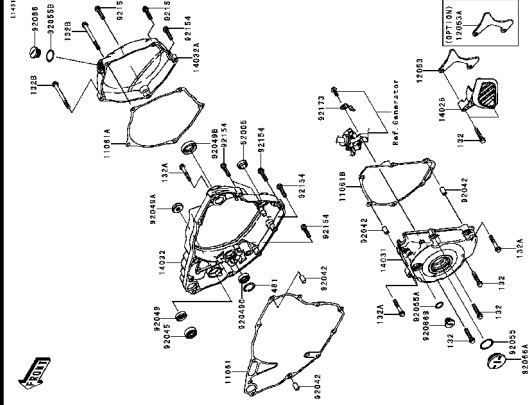
C-3 Transmission(ZEF)



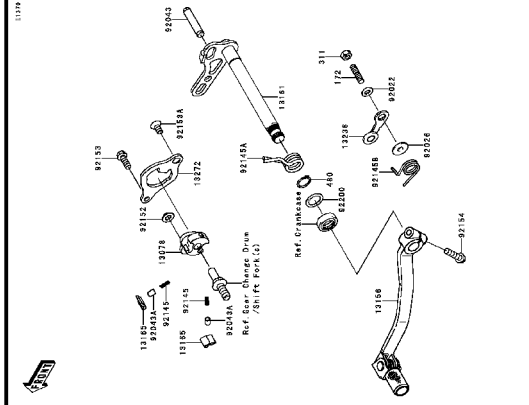
C-6 Crankcase



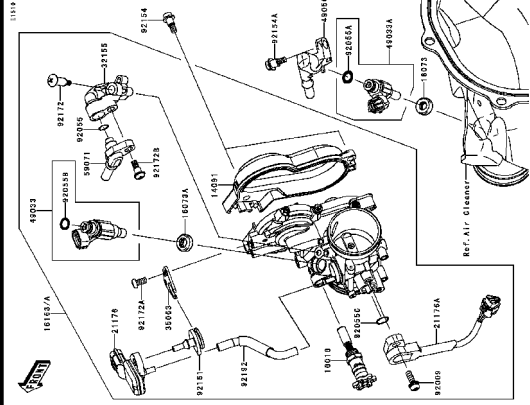
C-4 Gear Change Drum/Shift Fork(s)



C-7 Engine Cover(s)



C-5 Gear Change Mechanism



C-8 Throttle

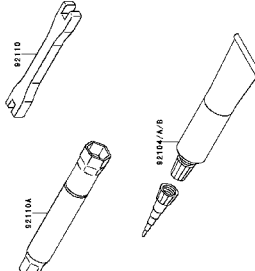
This catalog covers:

'13~'14 KX250 ZDF/ZEF Chassis

GRID NO. This grid covers:

G-1 Pictorial Index

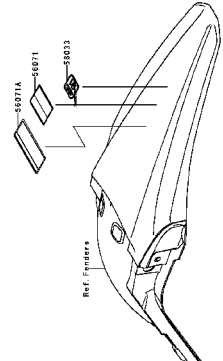
7200



82110
8210A
8210C/A/B

G-3 Owner's Tools

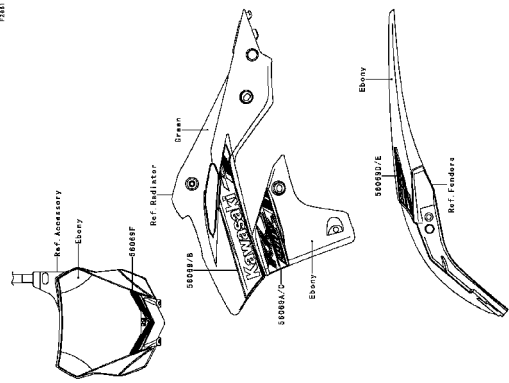
7202



80011/A
80011
80033
Ref. Fenders

G-4 Labels

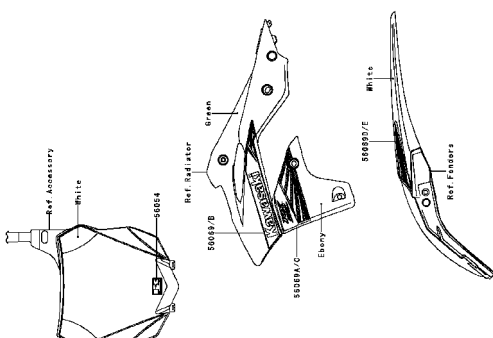
7201



Ref. Accessory
Ebony
8008F
Ref. Radiator
8008A/A
8008A/C
Ebony
Drain
80001/E
Ref. Fenders
Ebony

G-5 Decals(ZDF)

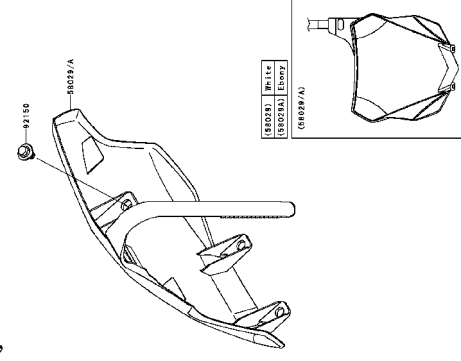
7203A



Ref. Accessory
White
80084
Ref. Radiator
80084/B
8008A/C
Ebony
Drain
80002/E
Ref. Fenders
White

G-6 Decals(ZEF)

7205



81150
80089/A
80023
White
Ebony
80089/A
Ref. Radiator

G-7 Accessory

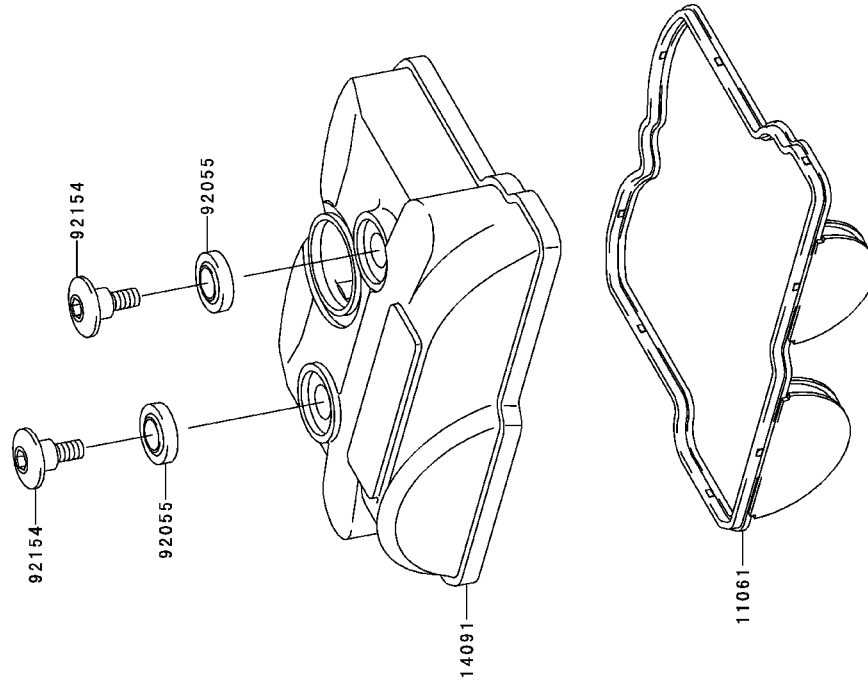
This catalog covers:

'13~'14 KX250 ZDF/ZEF Engine

GRID NO. This grid covers:

B-4 Cylinder Head Cover

E1112



Ref. No.	Part No.	Description	Spec Code	Quantity-KX250		
				'13	'14	
11061	11061-0350	GASKET,CYLINDER HEAD	1	1		
14091	14091-1629	COVER,CYLINDER HEAD	1	1		
92055	92055-1352	RING-O HEAD COVER BOLT	2	2		
92154	92154-0535	BOLT, SOCKET,6MM	2	2		

This catalog covers:

'13~'14 KX250 ZDF/ZEF Engine



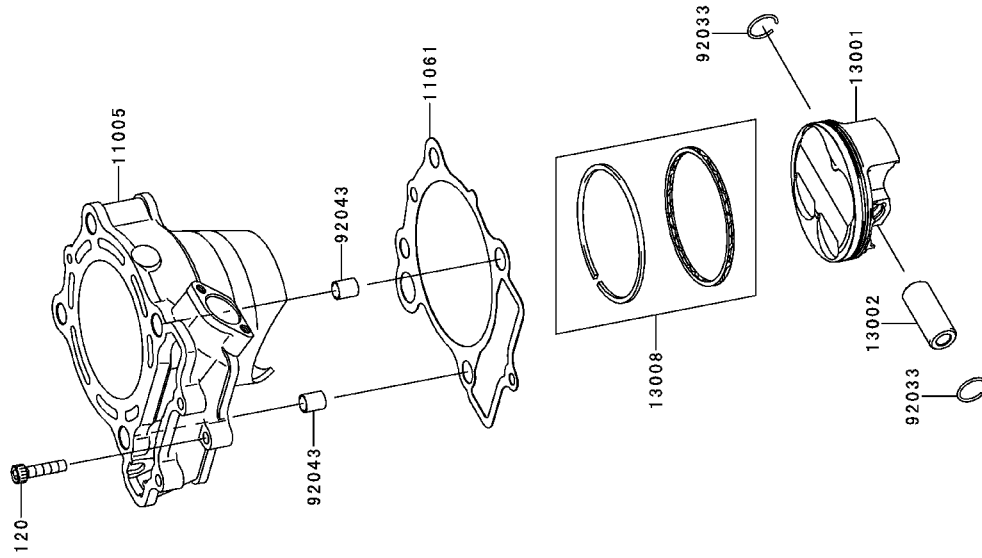
GRID NO. This grid covers:

B-5 Cylinder/Piston(s)

E1120

Ref. No.	Part No.	Description	Spec Code	Quantity-KX250		
				'13	'14	
				ZDF	ZEF	

11005	11005-0613	CYLINDER-ENGINE		1	1	
11061	11061-0357	GASKET,CYLINDER BASE		1	1	
13001	13001-0730	PISTON-ENGINE		1	1	
13002	13002-0030	PIN-PISTON		1	1	
13008	13008-0028	RING-SET-PISTON		1	1	
92033	92033-1161	RING-SNAP,PISTON PIN		2	2	
92043	92043-4009	PIN,10,1X12X14		2	2	
120	120CA0625	BOLT-SOCKET,6X25		1	1	



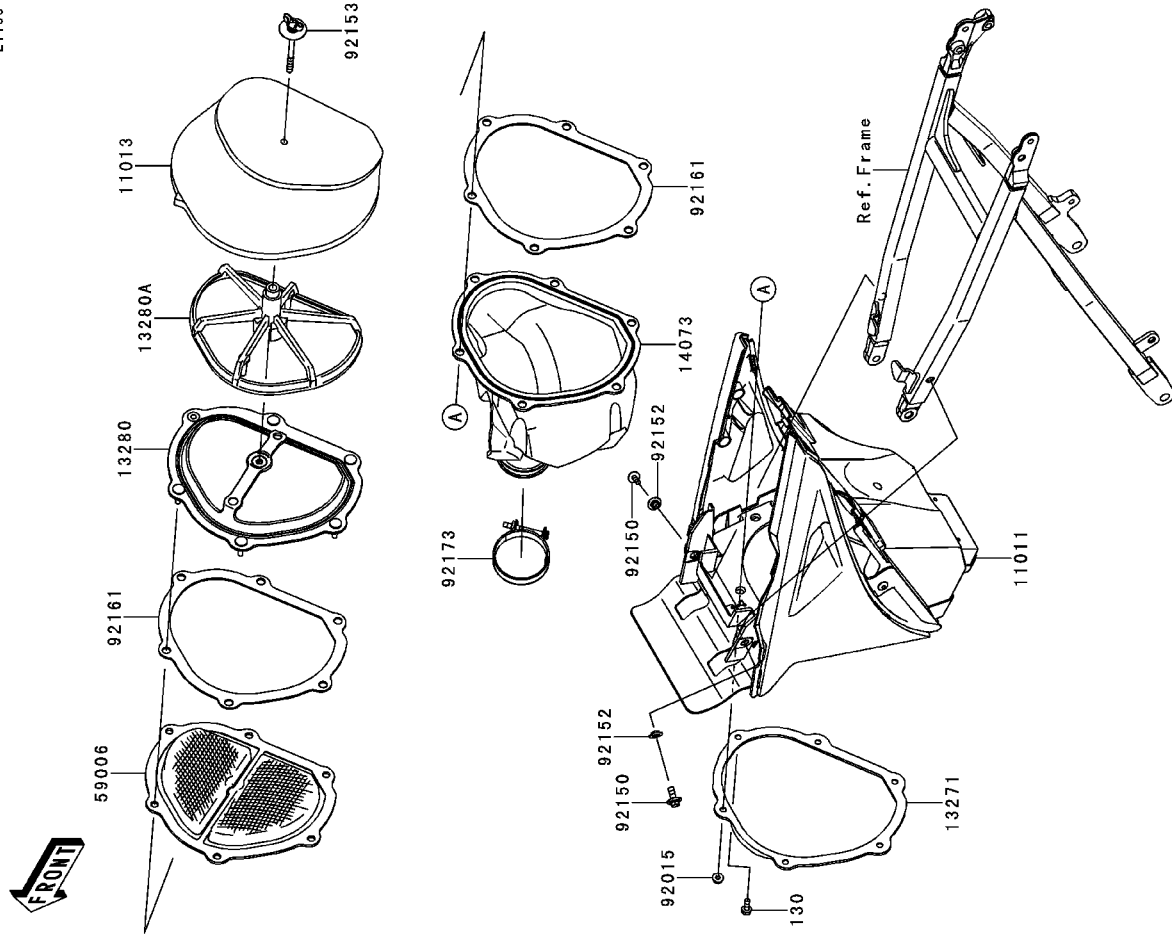
This catalog covers:

'13~'14 KX250 ZDF/ZEF Engine

GRID NO. This grid covers:

B-6 Air Cleaner

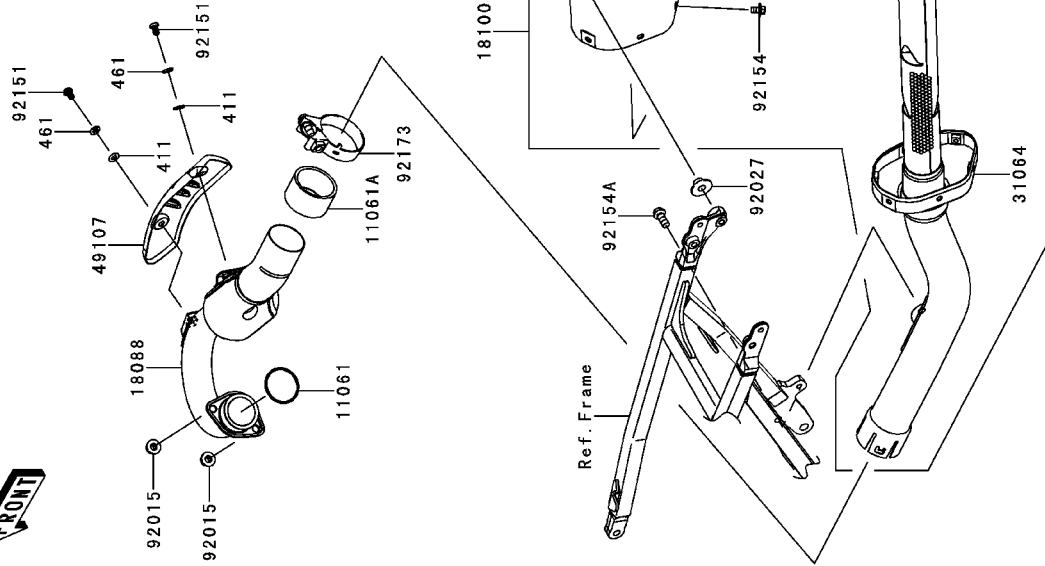
E1130



Ref. No.	Part No.	Description	Spec Code	Quantity-KX250		
				'13	'14	ZDF ZEF
11011	11011-0757-6C	CASE-AIR FILTER EBONY		1		
11013	11013-0722	ELEMENT-AIR FILTER		1		
13271	13271-0730	PLATE,DUCT FITTING		1		
13280	13280-0170	HOLDER		1		
13280A	13280-0751	HOLDER,ELEMENT		1		
14073	14073-0756	DUCT		1		
59006	59006-0011	ARRESTER-FLAME		1		
92015	92015-1259	NUT,FLANGED,5MM		5	5	
92150	92150-1506	BOLT,FLANGED,6X16		2	2	
92152	92152-0275	COLLAR		2	2	
92153	92153-0623	BOLT,6X75		1	1	
92161	92161-0213	DAMPER		2	2	
92173	92173-1002	CLAMP,57.5MM		1	1	
130	130BA0512	BOLT-FLANGED,5X12		1	1	

This catalog covers:

'13~'14 KX250 ZDF/ZEF Engine



GRID NO. This grid covers:

B-7 Muffler(s)

E1140

Ref. No.	Part No.	Description	Spec Code	Quantity-KX250		
				'13	'14	
			ZDF	ZEF		
11061	11061-0027	GASKET, EX PIPE			1	1
11061A	11061-0434	GASKET, CONNECTING			1	1
18046	18046-0231	WOOL			1	1
18046A	18046-0579	WOOL			1	1
18088	18088-0831	PIPE-EXHAUST			1	1
18100	18100-0559	BODY-ASSY-MUFFLER			1	1
31064	31064-0607	PIPE-COMP			1	1
49107	49107-0752	COVER-EXHAUST PIPE			1	1
92015	92015-1402	NUT, 8MM			2	2
92027	92027-1653	COLLAR, FLANGED, 8.8X10.6			2	2
92151	92151-1449	BOLT, SOCKET, 6X10			2	2
92154	92154-0396	BOLT, FLANGED, 6X10			6	6
92154A	92154-0519	BOLT, FLANGED, 8X18			1	1
92160	92160-1116	DAMPER, MUFFLER MOUNT			1	1
92173	92173-0885	CLAMP, 57MM			1	1
132	132BA0840	BOLT-FLANGED-SMALL, 8X40			1	1
411	411S0600	WASHER-PLAIN, 6MM			2	2
461	461S0600	WASHER-SPRING, 6MM			2	2

This catalog covers:

'13~'14 KX250 ZDF/ZEF Engine

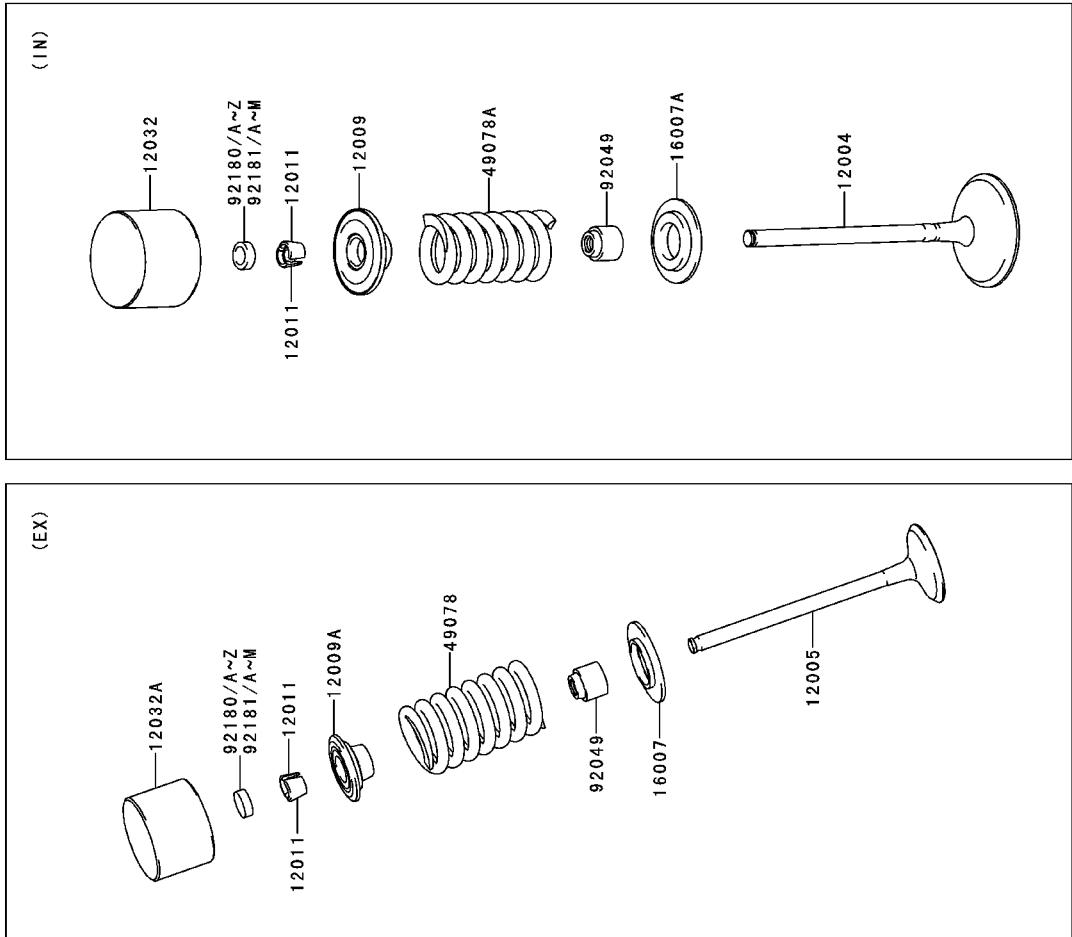
GRID NO. This grid covers:

B-8 Valve(s)(1/2)

E1210



Ref. No.	Part No.	Description	Spec Code	Quantity-KX250		
				'13	'14	ZDF ZEF
12004	12004-0033	VALVE-INTAKE		2		
12005	12005-0002	VALVE-EXHAUST		2		
12009	12009-0010	RETAINER-VALVE SPRING		2		
12009A	12009-1073	RETAINER-VALVE SPRING		2		
12011	12011-1053	COLLET		8		
12032	12032-0005	TAPPET,IN		2		
12032A	12032-0006	TAPPET,EX		2		
16007	16007-0002	SEAT-SPRING		2		
16007A	16007-0029	SEAT-SPRING		2		
49078	49078-0003	SPRING-ENGINE VALVE		2		
49078A	49078-0080	SPRING-ENGINE VALVE		2		
92049	92049-1349	SEAL-OIL, VSB 4.3,7.5,5.3,8.3		4		
92180	92180-0167	SHIM, T=2.500		4		
92180A	92180-0168	SHIM, T=2.525		AR	AR	
92180B	92180-0169	SHIM, T=2.550		AR	AR	
92180C	92180-0170	SHIM, T=2.575		AR	AR	
92180D	92180-0171	SHIM, T=2.600		AR	AR	
92180E	92180-0172	SHIM, T=2.625		AR	AR	
92180F	92180-0173	SHIM, T=2.650		AR	AR	
92180G	92180-0174	SHIM, T=2.675		AR	AR	
92180H	92180-0175	SHIM, T=2.700		AR	AR	
92180I	92180-0176	SHIM, T=2.725		AR	AR	
92180J	92180-0177	SHIM, T=2.750		AR	AR	
92180K	92180-0178	SHIM, T=2.775		AR	AR	
92180L	92180-0179	SHIM, T=2.800		AR	AR	
92180M	92180-0180	SHIM, T=2.825		AR	AR	
92180N	92180-0181	SHIM, T=2.850		AR	AR	
92180O	92180-0182	SHIM, T=2.875		AR	AR	
92180P	92180-0183	SHIM, T=2.900		AR	AR	
92180Q	92180-0184	SHIM, T=2.925		AR	AR	
92180R	92180-0185	SHIM, T=2.950		AR	AR	
92180S	92180-0186	SHIM, T=2.975		AR	AR	
92180T	92180-0187	SHIM, T=3.000		AR	AR	
92180U	92180-0188	SHIM, T=3.025		AR	AR	
92180V	92180-0189	SHIM, T=3.050		AR	AR	
92180W	92180-0190	SHIM, T=3.075		AR	AR	
92180X	92180-0191	SHIM, T=3.100		AR	AR	
92180Y	92180-0192	SHIM, T=3.125		AR	AR	
92180Z	92180-0193	SHIM, T=3.150		AR	AR	



This catalog covers:

'13~'14 KX250 ZDF/ZEF Engine

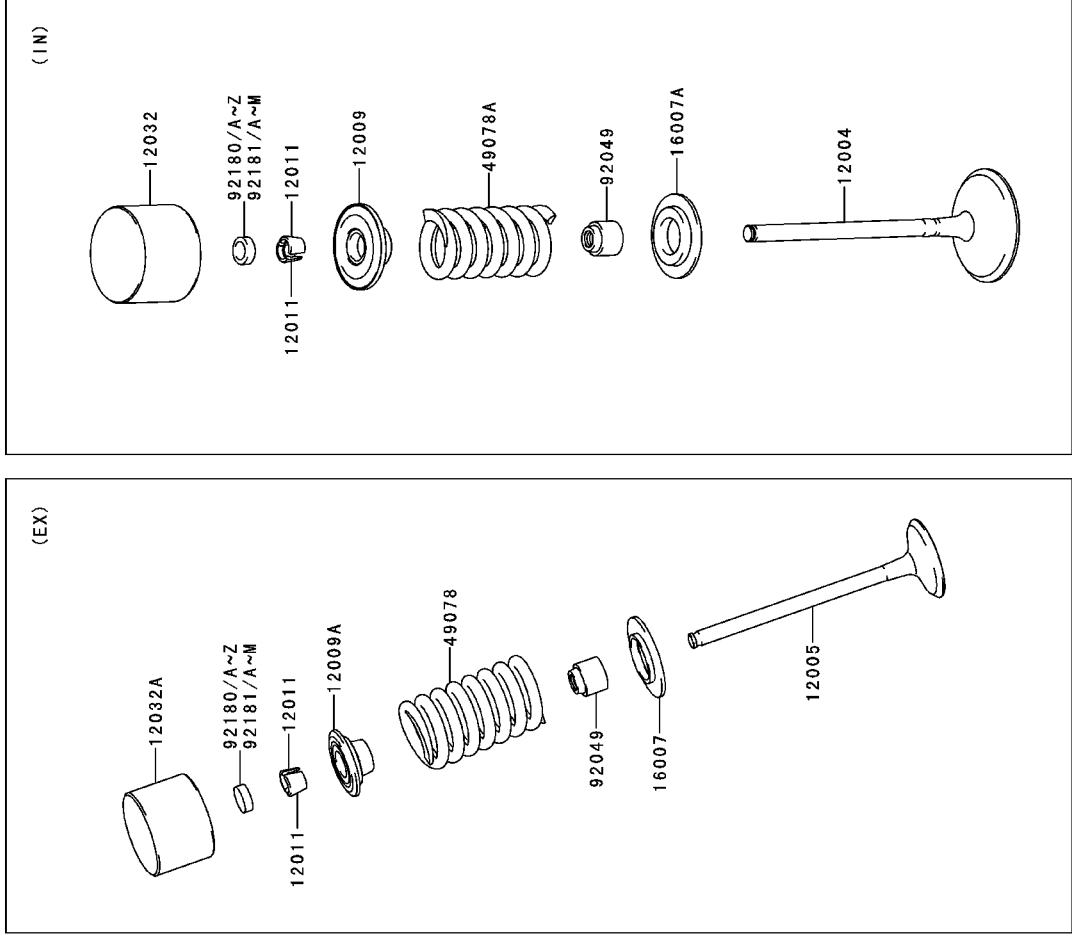
GRID NO. This grid covers:

B-9 Valve(s)(2/2)

E1210

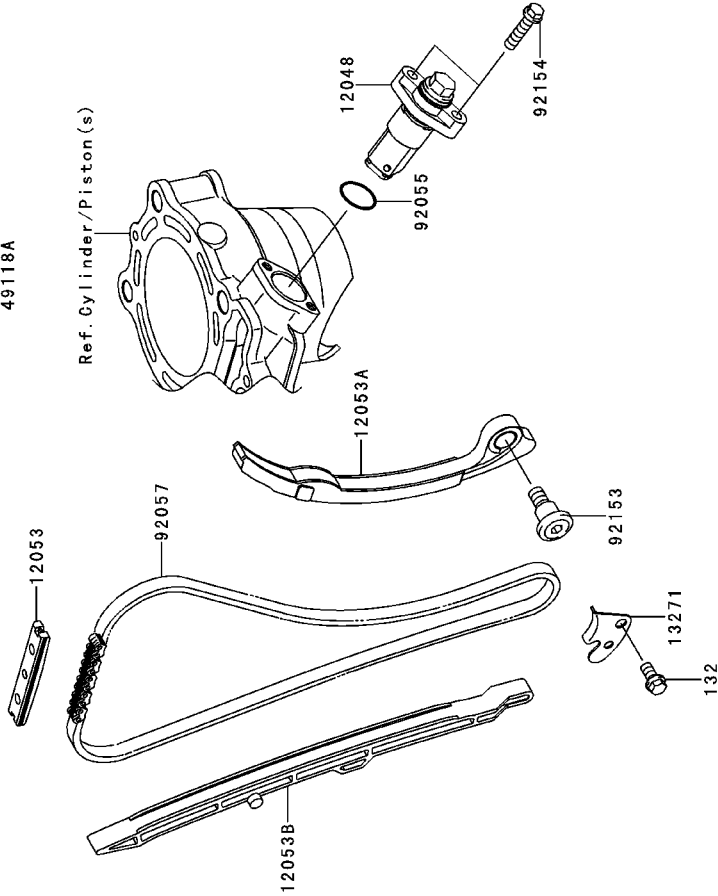
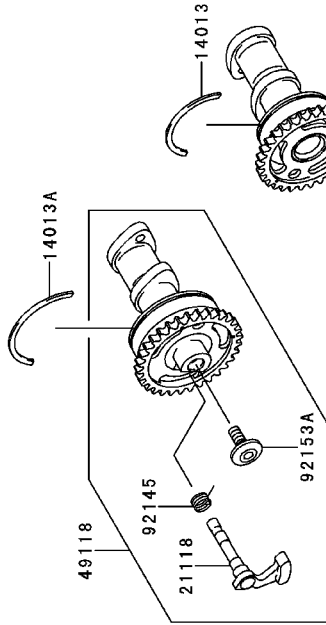


Ref. No.	Part No.	Description	Spec Code	Quantity-KX250		
				'13	'14	
			ZDF	ZEF		
92181	92180-0194	SHIM,T=3.175	AR	AR		
92181A	92180-0195	SHIM,T=3.200	AR	AR		
92181B	92180-0196	SHIM,T=3.225	AR	AR		
92181C	92180-0197	SHIM,T=3.250	AR	AR		
92181D	92180-0198	SHIM,T=3.275	AR	AR		
92181E	92180-0199	SHIM,T=3.300	AR	AR		
92181F	92180-0200	SHIM,T=3.325	AR	AR		
92181G	92180-0201	SHIM,T=3.350	AR	AR		
92181H	92180-0202	SHIM,T=3.375	AR	AR		
92181I	92180-0203	SHIM,T=3.400	AR	AR		
92181J	92180-0204	SHIM,T=3.425	AR	AR		
92181K	92180-0205	SHIM,T=3.450	AR	AR		
92181L	92180-0206	SHIM,T=3.475	AR	AR		
92181M	92180-0207	SHIM,T=3.500	AR	AR		



This catalog covers:

'13~'14 KX250 ZDF/ZEF Engine



GRID NO. This grid covers:

B-10 Camshaft(s)/Tensioner

E1230

Ref. No.	Part No.	Description	Spec Code	Quantity-KX250		
				'13	'14	ZDF ZEF
12048	12048-0056	TENSIONER-ASSY		1		1
12053	12053-0009	GUIDE-CHAIN,UPP		1		1
12053A	12053-0010	GUIDE-CHAIN,RR		1		1
12053B	12053-0017	GUIDE-CHAIN,FR		1		1
13271	13271-0808	PLATE,CAM CHAIN STOPPER		1		1
14013	14013-0001	RING-POSITION		1		1
14013A	14013-0002	RING-POSITION		1		1
21118	21118-0004	DECOMPRESSOR		1		1
49118	49118-0715	CAMSHAFT-COMP,EXHAUST		1		1
49118A	49118-0774	CAMSHAFT-COMP,INTAKE		1		1
92055	92055-086	RING-O,18.8X1.9		1		1
92057	92057-0030	CHAIN,CAM;92RH2010-114		1		1
92145	92145-0758	SPRING,DECOMP		1		1
92153	92153-0572	BOLT,12X24.5		1		1
92153A	92153-0918	BOLT,SOCKET,6X16		1		1
92154	92154-0520	BOLT,FLANGED,6X25		2		2
132	132BA0612	BOLT-FLANGED-SMALL,6X12		1		1

This catalog covers:

'13~'14 KX250 ZDF/ZEF Engine

GRID NO. This grid covers:

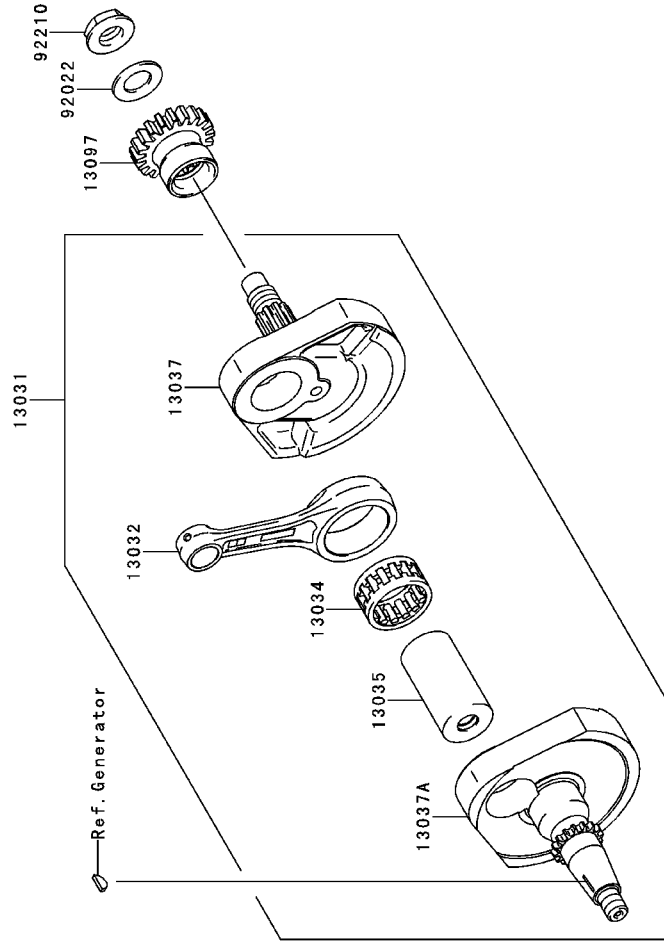
B-11 Crankshaft

E1321



Ref. No.	Part No.	Description	Spec Code	Quantity-KX250		
				'13	'14	
				ZDF	ZEF	

13031	13031-0739	CRANKSHAFT-COMP		1	1	
13032	13032-0721	ROD-CONNECTING		1	1	
13034	13034-0019	BEARING-BIG END,B4		1	1	
13035	13035-0022	PIN-CRANK		1	1	
13037	13037-0155	CRANKSHAFT,RH		1	1	
13037A	13037-0732	CRANKSHAFT,LH		1	1	
13097	13097-0117	GEAR-PRIMARY SPUR,20T		1	1	
92022	92022-1356	WASHER,16.3X29X1.75		1	1	
92210	92210-0350	NUT,LEFT HANDED,16MM		1	1	



This catalog covers:

'13~'14 KX250 ZDF/ZEF Engine

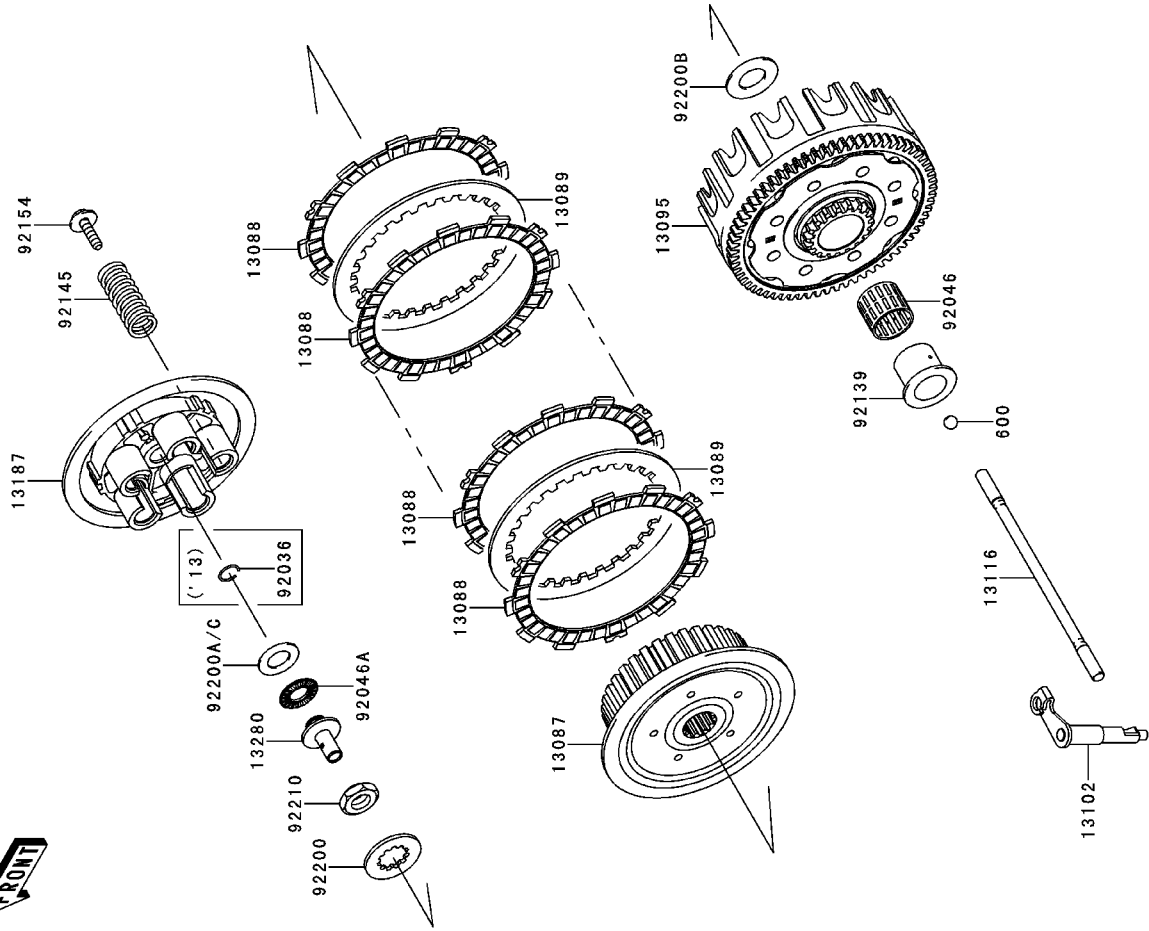


E1350

GRID NO. This grid covers:

B-13 Clutch

Ref. No.	Part No.	Description	Spec Code	Quantity-KX250		
				'13 ZDF	'14 ZEF	
13087	13087-0017	HUB-CLUTCH		1	1	
13088	13088-0018	PLATE-FRICTION		8	8	
13089	13089-0005	PLATE-CLUTCH,T=1.6		7	7	
13095	13095-0121	HOUSING-COMP-CLUTCH		1	1	
13102	13102-0034	RELEASE-COMP-CLUTCH		1	1	
13116	13116-0037	ROD-PUSH		1	1	
13187	13187-1089	PLATE-CLUTCH OPERATING		1	1	
13280	13280-0339	HOLDER		1	1	
92036	92036-0007	RING-SNAP PISTON PIN		1	1	
92046	92046-0016	BEARING-NEEDLE,WRS273124A		1	1	
92046A	92046-1190	BEARING-NEEDLE,FNTA-1326		1	1	
92139	92139-0014	BUSHING		1	1	
92145	92145-0351	SPRING,K=10.7N/MM		5	5	
92154	92154-0180	BOLT,6X25		5	5	
92200	92200-0027	WASHER,21.6X38X2.5		1	1	
92200A	92200-0045	WASHER,13.4X25X1.0	AR AR			
92200B	92200-0098	WASHER,22.3X43X2		1	1	
92200C	92200-1548	WASHER,13.4X25.0X1.5		1	1	
92210	92210-1207	NUT,16MM		1	1	
600	600A1000	BALL-STEEL,5/16		1	1	



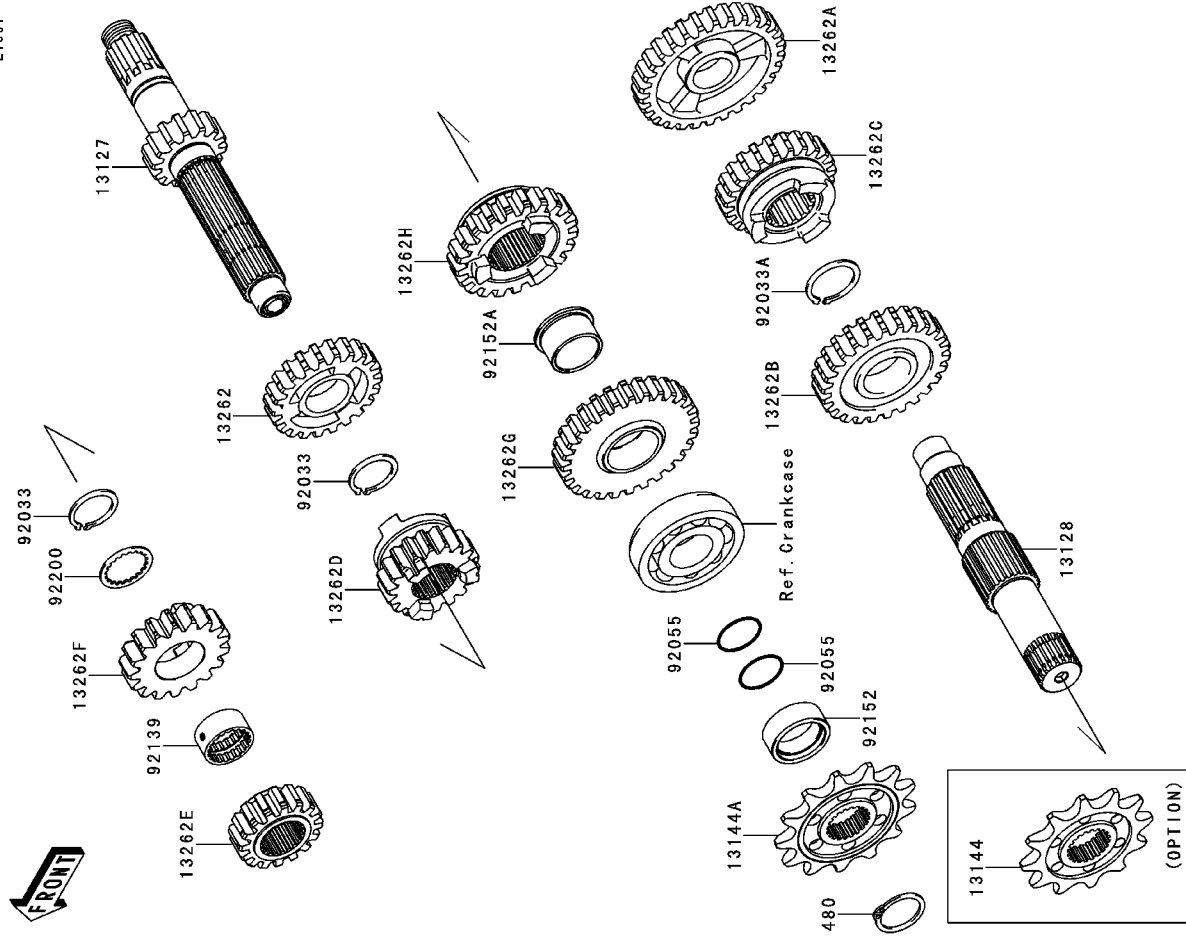
This catalog covers:

'13~'14 KX250 ZDF/ZEF Engine

GRID NO. This grid covers:

B-14 Transmission(ZDF)

E1361



Ref. No.	Part No.	Description	Spec Code	Quantity-KX250		
				'13	'14	ZDF ZEF
13127	13127-0064	SHAFT-TRANSMISSION INPUT,14T		1		
13128	13128-0046	SHAFT-TRANSMISSION OUTPUT		1		
13144	13144-0036	SPROCKET-OUTPUT,12T		1		
13144A	13144-0064 (OPTION)	SPROCKET-OUTPUT,13T		1		
13262	13262-0671	GEAR,INPUT 5TH,22T		1		
13262A	13262-0672	GEAR OUTPUT LOW,30T		1		
13262B	13262-0674	GEAR,OUTPUT 3RD,26T		1		
13262C	13262-0676	GEAR,OUTPUT 5TH,23T		1		
13262D	13262-0776	GEAR,INPUT 3RD,18T		1		
13262E	13262-0839	GEAR,INPUT 2ND,16T		1		
13262F	13262-0840	GEAR,INPUT 4TH,17T		1		
13262G	13262-0841	GEAR,OUTPUT 2ND,28T		1		
13262H	13262-0842	GEAR,OUTPUT 4TH,21T		1		
92033	92033-0057	RING-SNAP		2		
92033A	92033-1270	RING-SNAP		1		
92055	92055-055	RING-O,19.5X1.5		2		
92139	92139-0241	BUSHING		1		
92152	92152-0683	COLLAR,22X30X11.4		1		
92152A	92152-0687	COLLAR		1		
92200	92200-0442	WASHER,22X26.6X1		1		
480	480J2200	CIRCLIP-TYPE-C,22MM		1		

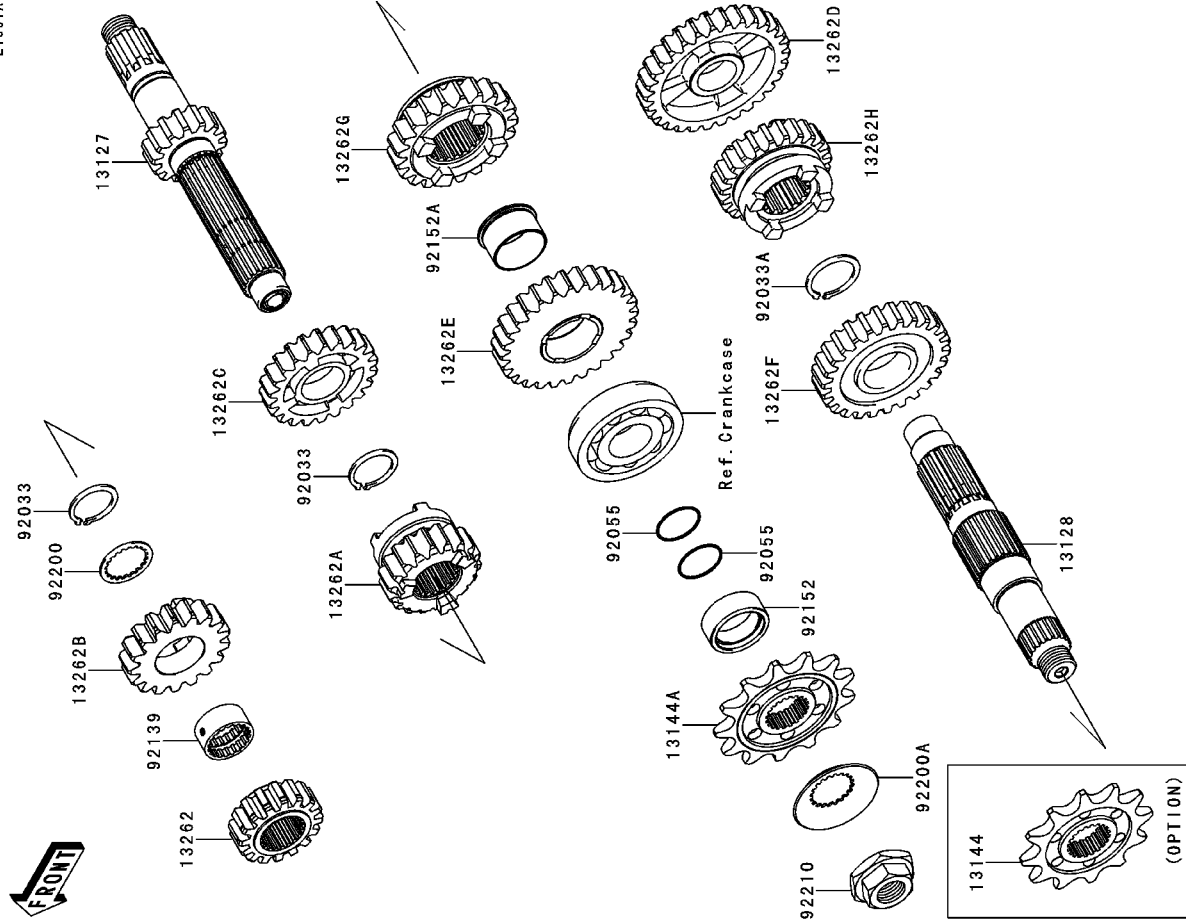
This catalog covers:

'13~'14 KX250 ZDF/ZEF Engine

GRID NO. This grid covers:

C-3 Transmission(ZEF)

E1361A



Ref. No.	Part No.	Description	Spec Code	Quantity-KX250		
				'13	'14	ZDF ZEF
13127	13127-0064	SHAFT-TRANSMISSION INPUT,14T			1	
13128	13128-0689	SHAFT-TRANSMISSION OUTPUT			1	
13144	13144-0036	SPROCKET-OUTPUT,12T			1	
13144A	13144-0064 (OPTION)	SPROCKET-OUTPUT,13T			1	
13262	13262-0839	GEAR,INPUT 2ND,16T			1	
13262A	13262-0930	GEAR,INPUT 3RD,18T			1	
13262B	13262-0931	GEAR,INPUT 4TH,17T			1	
13262C	13262-0932	GEAR,INPUT 5TH,22T			1	
13262D	13262-0933	GEAR,OUTPUT LOW,30T			1	
13262E	13262-0934	GEAR,OUTPUT 2ND,28T			1	
13262F	13262-0935	GEAR,OUTPUT 3RD,26T			1	
13262G	13262-0936	GEAR,OUTPUT 4TH,21T			1	
13262H	13262-0937	GEAR,OUTPUT 5TH,23T			1	
92033	92033-0057	RING-SNAP			2	
92033A	92033-1270	RING-SNAP			1	
92055	92055-055	RING-O,19.5X1.5			2	
92139	92139-0241	BUSHING			1	
92152	92152-0683	COLLAR,22X30X11.4			1	
92152A	92152-1606	COLLAR			1	
92200	92200-0442	WASHER,22X26.6X1			1	
92200A	92200-0723	WASHER,20X46			1	
92210	92210-0721	NUT,16MM			1	

This catalog covers:

'13~'14 KX250 ZDF/ZEF Engine

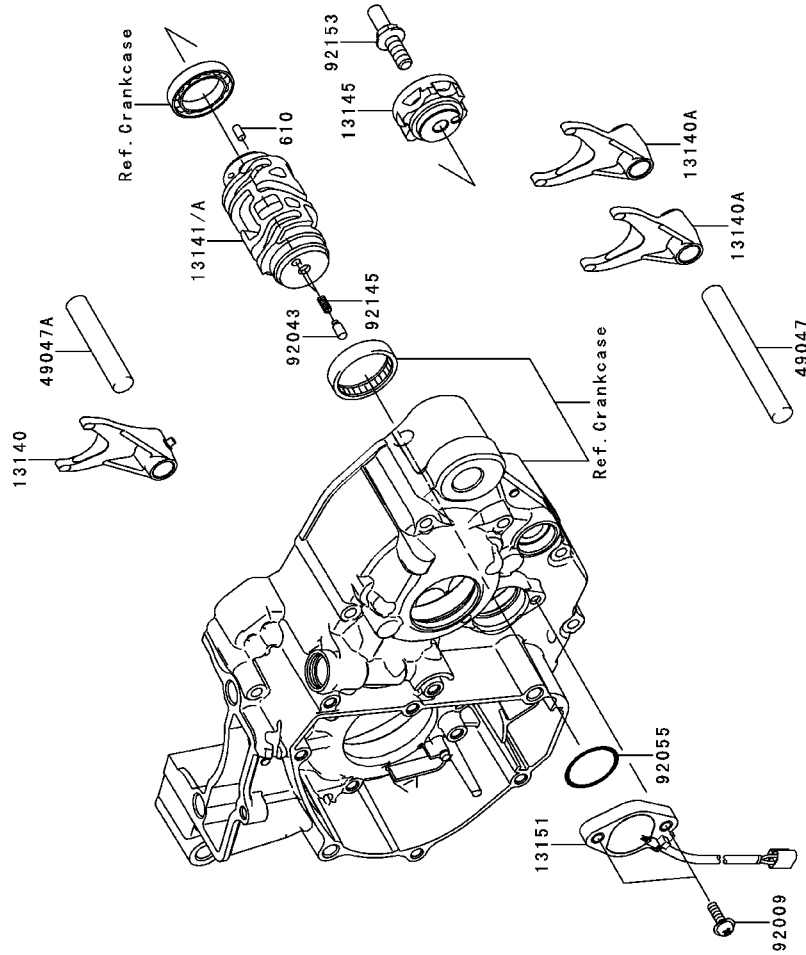
GRID NO. This grid covers:

C-4 Gear Change Drum/Shift Fork(s)

E1362



Ref. No.	Part No.	Description	Spec Code	Quantity-KX250		
				'13	'14	ZDF ZEF
13140	13140-0056	FORK-SHIFT,IN		1	1	
13140A	13140-0057	FORK-SHIFT,OUT		2	2	
13141	13141-0570	DRUM-CHANGE		1	1	
13141A	13141-0575	DRUM-CHANGE		1	1	
13145	13145-0031	CAM-CHANGE DRUM		1	1	
13151	13151-0560	SWITCH-COMP,NEUTRAL		1	1	
49047	49047-0620	ROD-SHIFT,OUTPUT,L=94.5		1	1	
49047A	49047-0621	ROD-SHIFT,INPUT,L=63		1	1	
92009	92009-1571	SCREW,5X16		2	2	
92043	92043-1654	PIN		2	2	
92055	92055-091	RING-O,27.7X2.4		1	1	
92145	92145-1414	SPRING		2	2	
92153	92153-1735	BOLT		1	1	
610	610A0408	ROLLER,4X8		1	1	



This catalog covers:

'13~'14 KX250 ZDF/ZEF Engine

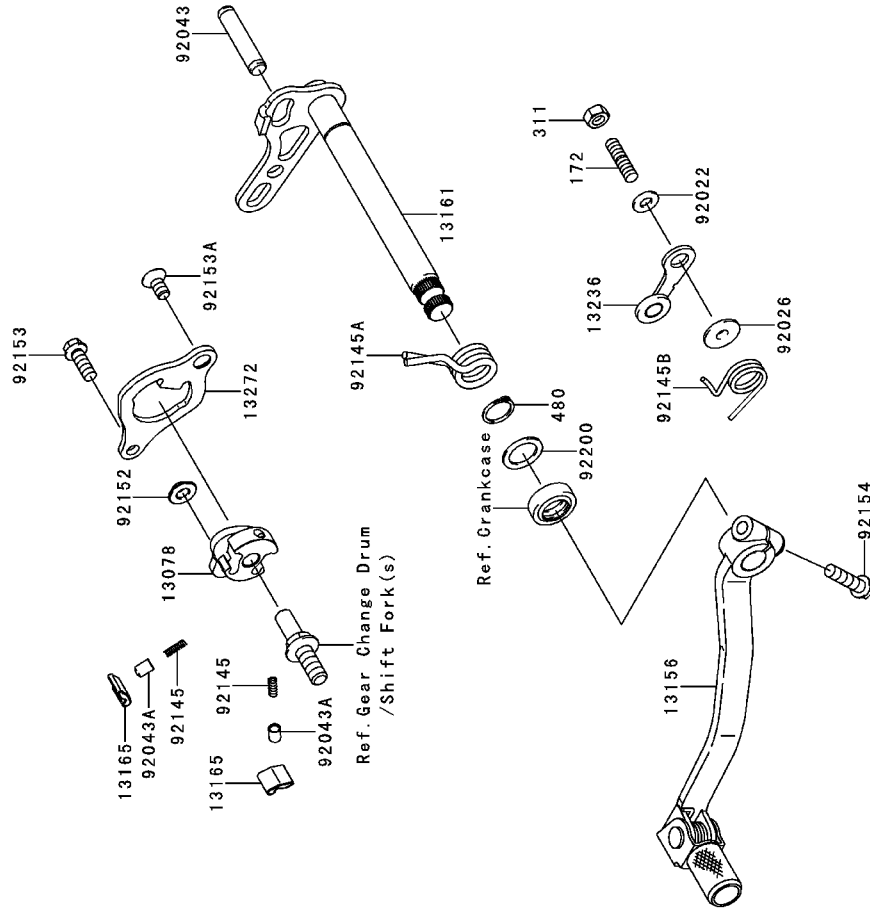
GRID NO. This grid covers:

C-5 Gear Change Mechanism

E1370



Ref. No.	Part No.	Description	Spec Code	Quantity-KX250		
				'13	'14	ZDF ZEF
13078	13078-0029	RATCHET		1	1	
13156	13156-0124	LEVER-CHANGE,PEDAL		1	1	
13161	13161-0077	LEVER-COMP-CHANGE SHAFT		1	1	
13165	13165-0018	PAWL		2	2	
13236	13236-0161	LEVER-COMP,POSITION		1	1	
13272	13272-0438	PLATE		1	1	
92022	92022-1827	WASHER,6X12.8X1.2		1	1	
92026	92026-1217	SPACER		1	1	
92043	92043-0017	PIN,8X39		1	1	
92043A	92043-1676	PIN,PLUNGER		2	2	
92145	92145-0453	SPRING		2	2	
92145A	92145-0608	SPRING,RETURN		1	1	
92145B	92145-0843	SPRING,POSITION		1	1	
92152	92152-1414	COLLAR		1	1	
92153	92153-0825	BOLT,6X16		1	1	
92153A	92153-1669	BOLT,TORX,6X8.7		1	1	
92154	92154-0520	BOLT,FLANGED,6X25		1	1	
92200	92200-0029	WASHER,14.2X20X1		1	1	
172	172BA0612	BOLT-STUD,6X12		1	1	
311	311BA0600	NUT-HEX		1	1	
480	480J1400	CIRCLIP-TYPE-C,14MM		1	1	



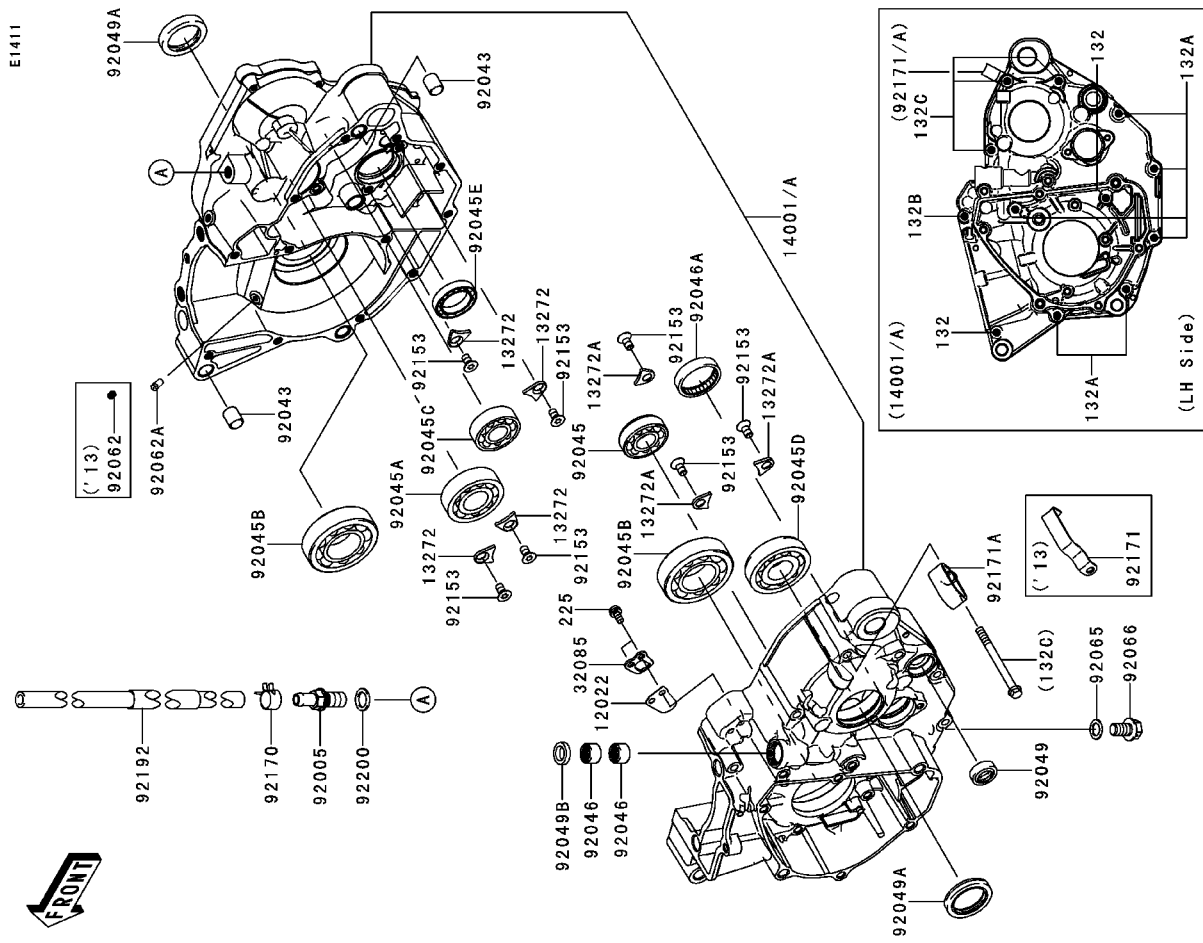
This catalog covers:

'13~'14 KX250 ZDF/ZEF Engine

GRID NO. This grid covers:

C-6 Crankcase

Ref. No.	Part No.	Description	Spec Code	Quantity-KX250		
				'13	'14	ZDF ZEF
12022	12022-0006	VALVE-REED		1	1	
13272	13272-0488	PLATE		4	4	
13272A	13272-0670	PLATE		3	3	
14001	14001-0155	SET-CRANKCASE		1	1	
14001A	14001-0605	SET-CRANKCASE				
32085	32085-0011	STOPPER, VALVE-REED		1	1	
92005	92005-0747	FITTING, BREATHER		1	1	
92043	92043-4009	PIN, 10, 1X12X14		2	2	
92045	92045-0013	BEARING-BALL, 3TM-SX0391ZC3		1	1	
92045A	92045-0051	BEARING-BALL, 22X50X14		1	1	
92045B	92045-0052	BEARING-BALL, CRANKSHAFT MAIN		2	2	
92045C	92045-1287	BEARING-BALL, TMB203LU		1	1	
92045D	92045-1335	BEARING-BALL, SX04A81C3		1	1	
92045E	92045-1432	BEARING-BALL, 6805JRZ		1	1	
92046	92046-0034	BEARING-NEEDLE, HK1210FM		2	2	
92046A	92046-1221	BEARING-NEEDLE, 7E-HKS33X38X8		1	1	
92049	92049-0015	SEAL-OIL, SD2 14 22 6-1 NS		1	1	
92049A	92049-0030	SEAL-OIL, TC 30 40 7		2	2	
92049B	92049-1262	SEAL-OIL, AG0353-F0		1	1	
92062	92062-0004	NOZZLE		1	1	
92062A	92062-0023	NOZZLE		1	1	
92065	92065-058	GASKET, 10, 5X16X1		1	1	
92066	92066-1437	PLUG, DRAIN		1	1	
92153	92153-1669	BOLT, TORX, 6X8.7		7	7	
92170	92170-1938	CLAMP		1	1	
92171	92171-0579	CLAMP		1	1	
92171A	92171-0594	CLAMP		1	1	
92192	92192-1184	TUBE, BREATHER		1	1	
92200	92200-0087	WASHER, 12, 5X18X1.6		1	1	
132	132BA0650	BOLT-FLANGED-SMALL, 6X50		2	2	
132A	132BA0660	BOLT-FLANGED-SMALL, 6X60		6	6	
132B	132BA0665	BOLT-FLANGED-SMALL, 6X65		1	1	
132C	132BA0670	BOLT-FLANGED-SMALL, 6X70		3	3	
225	225AA0510	SCREW-PAN-WSP-CROS, 5X10		2	2	



This catalog covers:

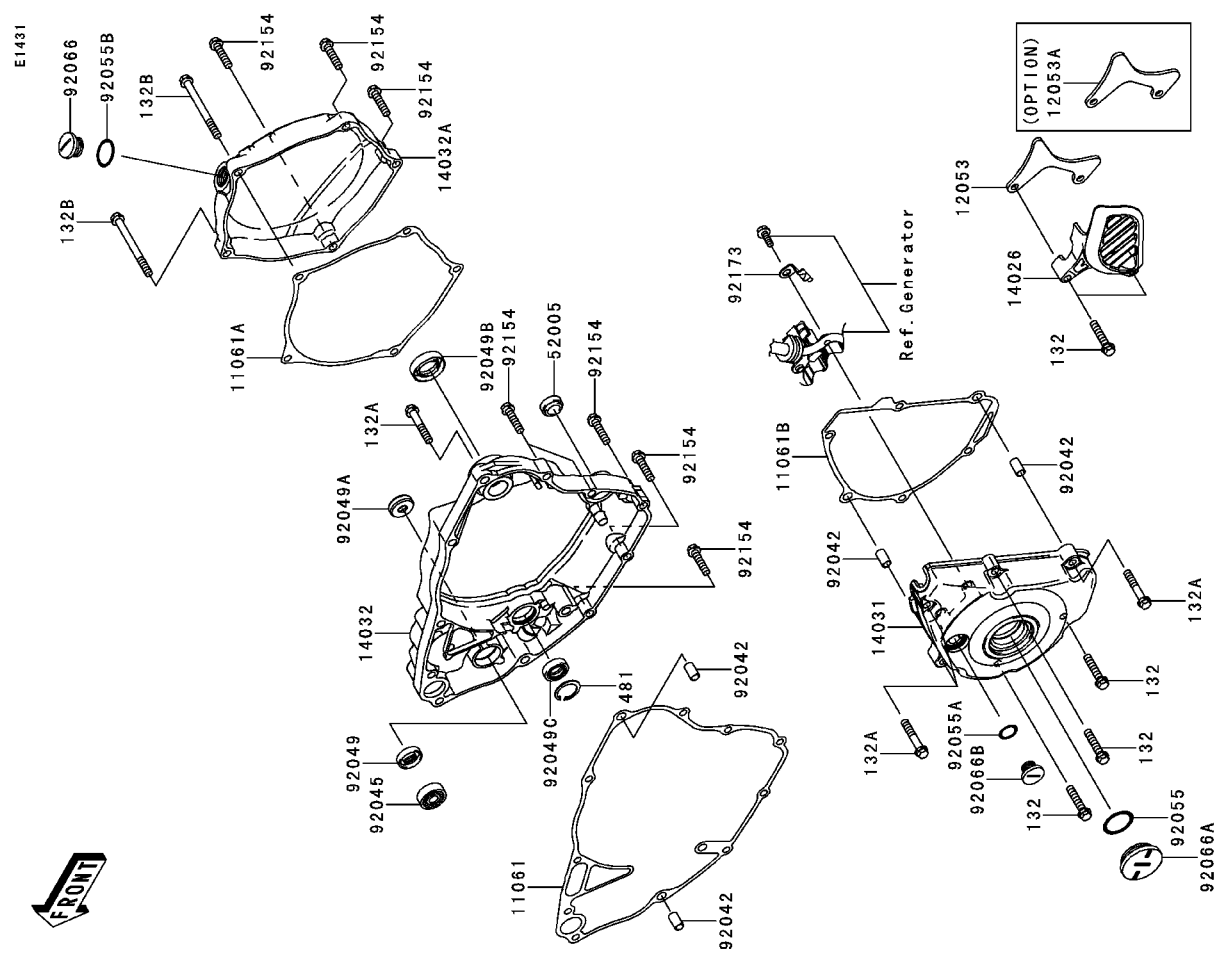
'13~'14 KX250 ZDF/ZEF Engine



GRID NO. This grid covers:

C-7 Engine Cover(s)

Ref. No.	Part No.	Description	Spec Code	Quantity-KX250		
				'13	'14	ZDF ZEF
11061	11061-0361	GASKET, INNER		1		
11061A	11061-0362	GASKET, OUTER		1		
11061B	11061-0778	GASKET, GENERATOR		1		
12053	12053-0129	GUIDE-CHAIN, 13T		1		
12053A	12053-0130	GUIDE-CHAIN, 12T		1		
	(OPTION)					
14026	14026-0090	COVER-CHAIN		1		
14031	14031-0569	COVER-GENERATOR		1		
14032	14032-0136	COVER-CLUTCH, INNER		1		
14032A	14032-0567	COVER-CLUTCH, OUTER		1		
52005	52005-1009	GAUGE, OIL LEVEL		1		
92042	92042-007	PIN, DOWEL, 6.3X8X14		4		4
92045	92045-1123	BEARING-BALL, #628		1		1
92049	92049-0060	SEAL-OIL, SD 8 22 5 ZS		1		1
92049A	92049-0061	SEAL-OIL		1		1
92049B	92049-013	SEAL-OIL, SB18307		1		1
92049C	92049-1519	SEAL-OIL, TC13225.5		1		1
92055	92055-091	RING-O, 27.7X2.4		1		1
92055A	92055-1011	RING-O, 13.0X1.9		1		1
92055B	92055-1146	RING-O, 20X2		1		1
92066	92066-0757	PLUG, 18X9		1		1
92066A	92066-0758	PLUG, 30X8		1		1
92066B	92066-0759	PLUG, 12X9.1		1		1
92154	92154-0520	BOLT, FLANGED 6X25		8		8
92173	92173-0058	CLAMP, HARNESS		1		1
132	132BA0630	BOLT-FLANGED-SMALL, 6X30		5		5
132A	132BA0635	BOLT-FLANGED-SMALL, 6X35		4		4
132B	132BA0665	BOLT-FLANGED-SMALL, 6X65		2		2
481	481J2200	CIRCLIP		1		1



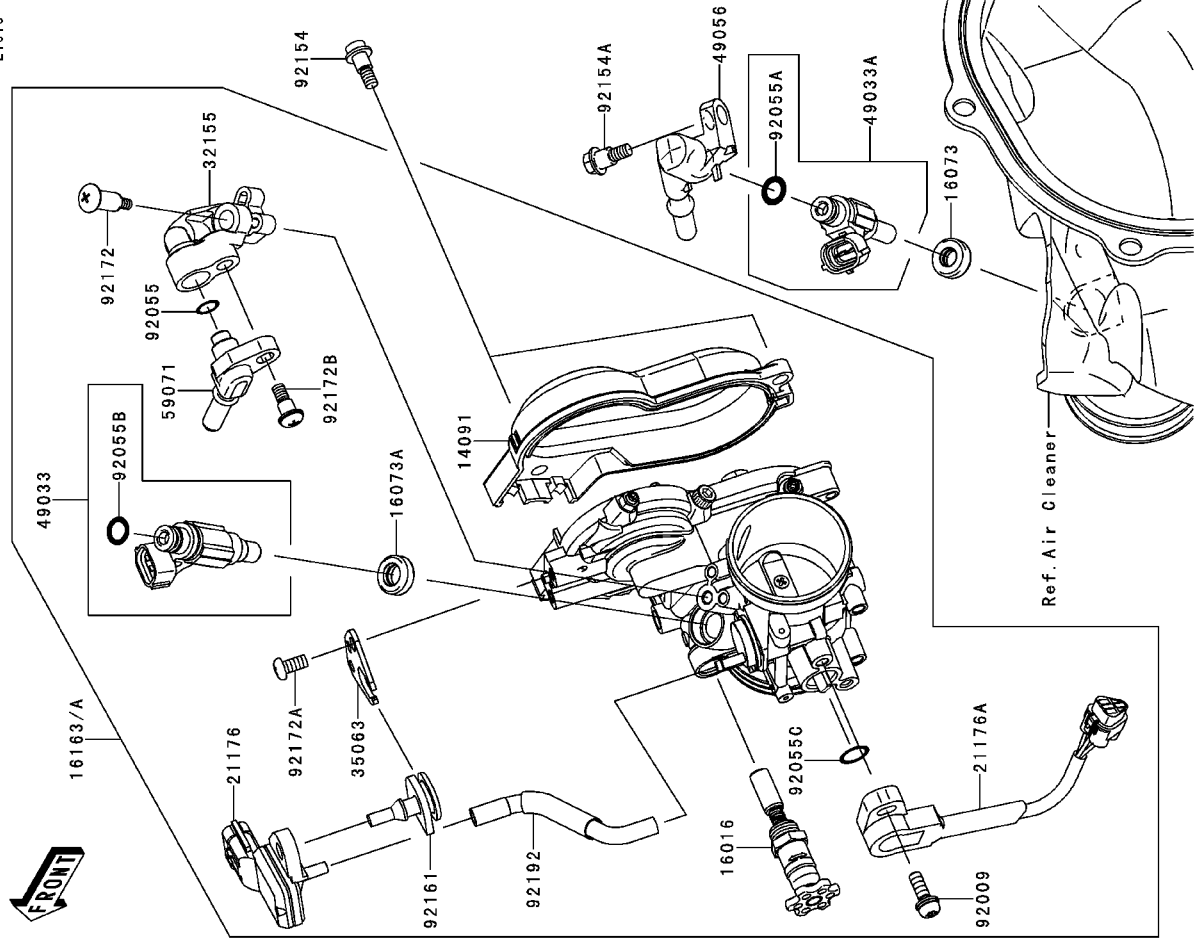
This catalog covers:

'13~'14 KX250 ZDF/ZEF Engine

GRID NO. This grid covers:

C-8 Throttle

E1510



Ref. No.	Part No.	Description	Spec Code	Quantity-KX250		
				'13	'14	ZDF ZEF
14091	14091-1815	COVER,THROTTLE DUST	1	1		
16016	16016-0025	PLUNGER	1	1		
16073	16073-0129	INSULATOR	1	1		
16073A	16073-3707	INSULATOR	1	1		
16163	16163-0767	THROTTLE-ASSY	1			
16163A	16163-0797	THROTTLE-ASSY	1			
21176	21176-0058	SENSOR,PRESSURE	1	1		
21176A	21176-0129	SENSOR,THROTTLE POSITION	1	1		
32155	32155-0112	PIPE,FUEL	1	1		
35063	35063-0647	STAY	1	1		
49033	49033-0026	NOZZLE-INJECTION	1	1		
49033A	49033-0560	NOZZLE-INJECTION	1	1		
49056	49056-0036	PIPE-INJECTION	1	1		
59071	59071-0049	JOINT	1	1		
92009	92009-1981	SCREW,THROTTLE SENSOR	1	1		
92055	92055-0064	RING-O	1	1		
92055A	92055-0124	RING-O,INJECTION NOZZLE	1	1		
92055B	92055-1622	RING-O,INJECTION NOZZLE	1	1		
92055C	92055-1671	RING-O	1	1		
92154	92154-0243	BOLT	2	2		
92154A	92154-1021	BOLT,FLANGED,5X8	1	1		
92161	92161-0041	DAMPER	1	1		
92172	92172-0064	SCREW,PIPE INJECTION	1	1		
92172A	92172-0438	SCREW	2	2		
92172B	92172-0776	SCREW	1	1		
92192	92192-0823	TUBE	1	1		

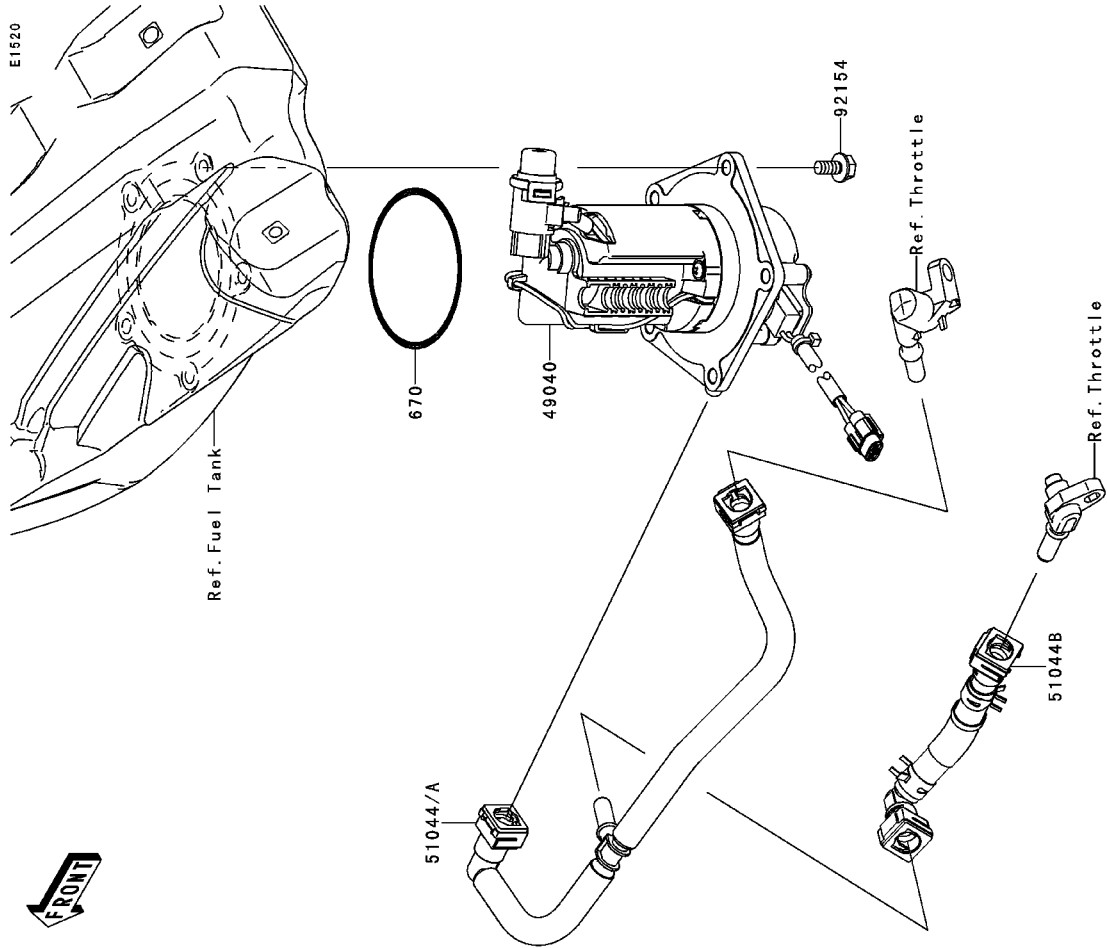
This catalog covers:

'13~'14 KX250 ZDF/ZEF Engine

GRID NO. This grid covers:

C-9 Fuel Pump

Ref. No.	Part No.	Description	Spec Code	Quantity-KX250		
				'13	'14	
49040	49040-0707	PUMP-FUEL				
51044	51044-0725	TUBE-ASSY,FUEL				1
51044A	51044-0736	TUBE-ASSY,FUEL				1
51044B	51044-0739	TUBE-ASSY,FUEL				1
92154	92154-0899	BOLT,FLANGED,6X16				5
670	670E5070	O RING				1



This catalog covers:

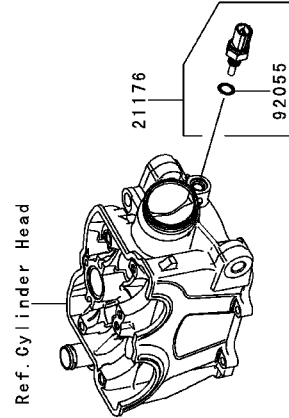
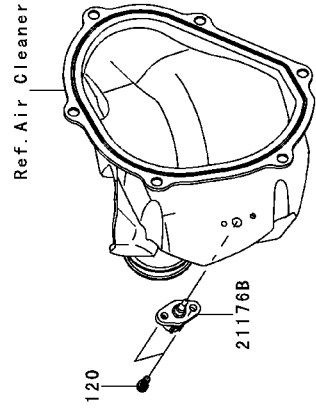
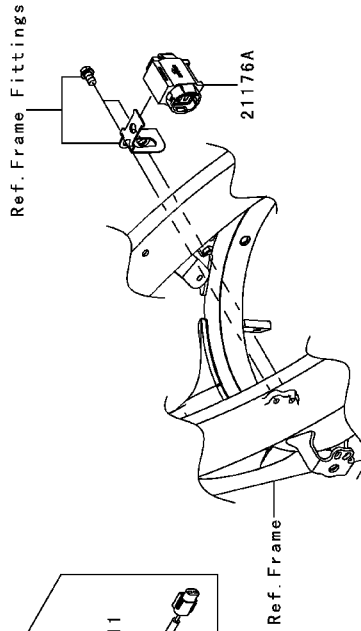
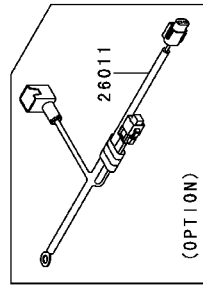
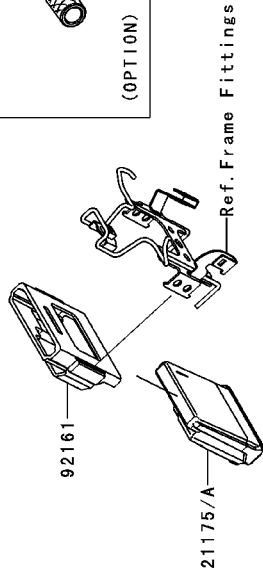
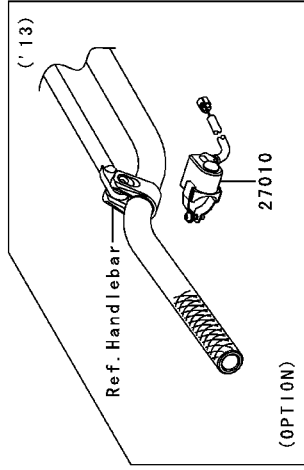
'13~'14 KX250 ZDF/ZEF Engine

GRID NO. This grid covers:

C-10 Fuel Injection

Ref. No.	Part No.	Description	Spec Code	Quantity-KX250		
				'13	'14	
				ZDF	ZEF	

E1530



21175	21175-0792	CONTROL UNIT-ELECTRONIC		1	
21175A	21175-0847	CONTROL UNIT-ELECTRONIC		1	
21176	21176-0009	SENSOR,WATER TEMP		1	
21176A	21176-0066	SENSOR,VEHICLE-DOWN		1	
21176B	21176-0121	SENSOR,AIR TEMP		1	
26011	26011-0246 (OPTION)	WIRE-LEAD,BAT. CONNECTION		1	
27010	27010-0725 (OPTION)	LAMP-ASSY,FI WARNING		1	
92055	92055-0016 (OPTION)	RING-O,9,5X1,9		1	
92161	92161-0976	DAMPER,ECU		1	
120	120CB0514	BOLT-SOCKET,5X14		2	2

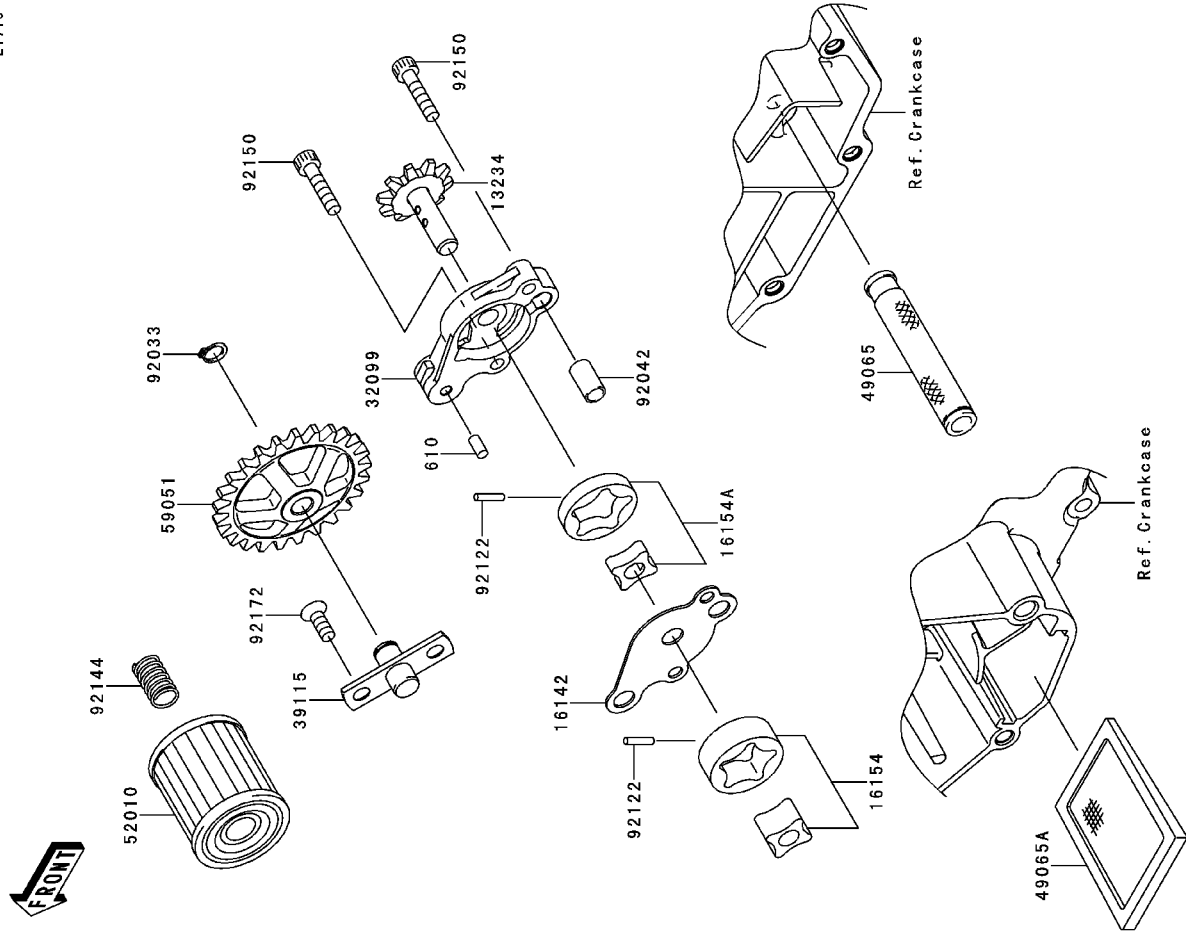
This catalog covers:

'13~'14 KX250 ZDF/ZEF Engine

GRID NO. This grid covers:

C-11 Oil Pump

E1710



Ref. No.	Part No.	Description	Spec Code	Quantity-KX250		
				'13	'14	
			ZDF	ZEF		
13234	13234-0045	SHAFT-COMPOIL PUMP			1	1
16142	16142-0003	COVER-PUMP			1	1
16154	16154-0090	ROTOR-PUMP,SCAVERAGE			1	1
16154A	16154-0093	ROTOR-PUMP,FEED			1	1
32099	32099-0051	CASE,OIL PUMP			1	1
39115	39115-0007	SHAFT-IDLER,OIL PUMP			1	1
49065	49065-0017	FILTER-OIL			1	1
49065A	49065-0023	FILTER-OIL			1	1
52010	52010-0001	ELEMENT-OIL FILTER			1	1
59051	59051-0009	GEAR-SPUR,PUMP IDLER			1	1
92033	92033-1039	RING-SNAP,8MM			1	1
92042	92042-007	PIN,DOWEL,6.3X8X14			1	1
92122	92122-0021	ROLLER,2.5X11.8			2	2
92144	92144-1761	SPRING			1	1
92150	92150-1491	BOLT, SOCKET,5X22			2	2
92172	92172-0087	SCREW,6X14			2	2
610	610A0408	ROLLER,4X8			1	1

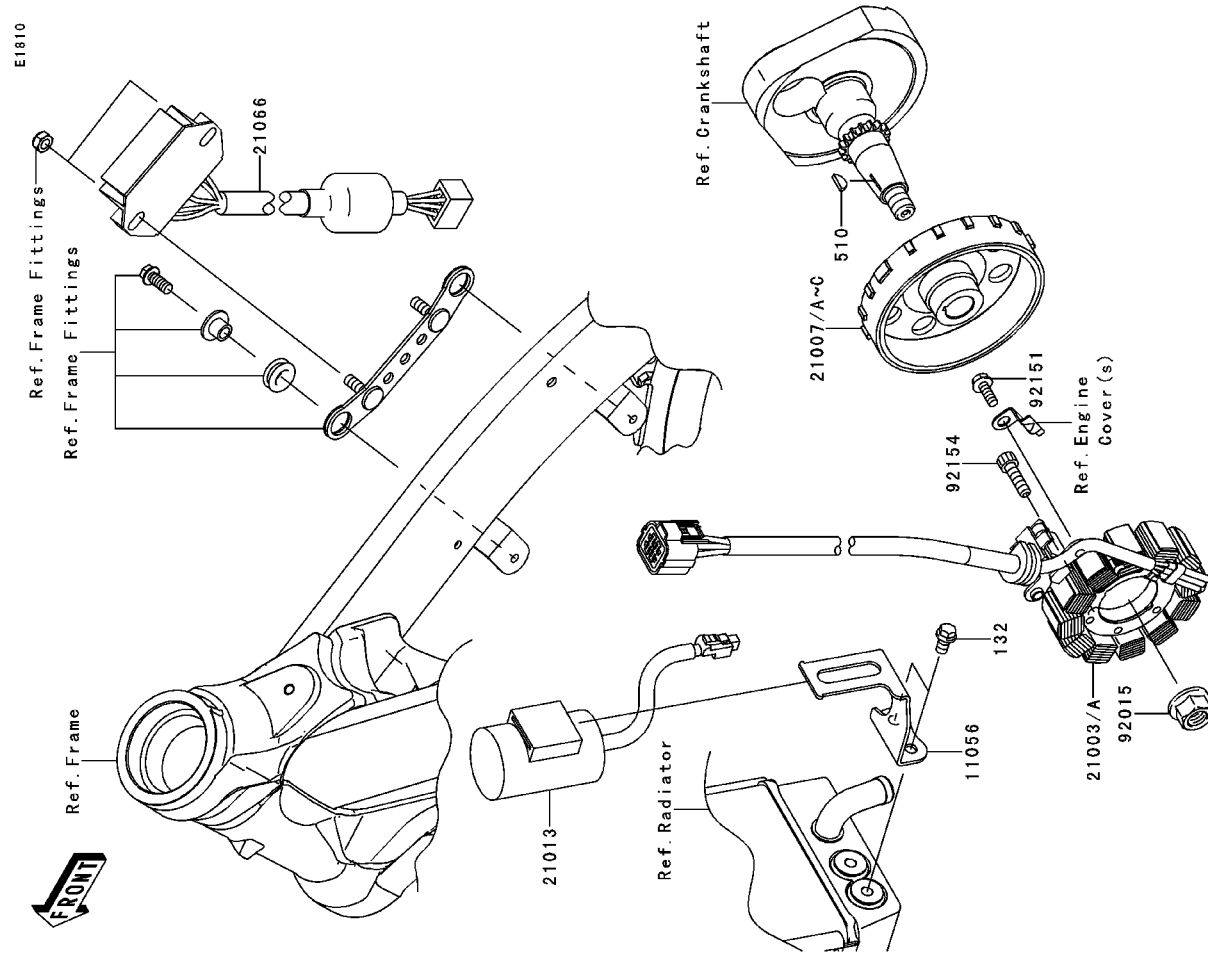
This catalog covers:

'13~'14 KX250 ZDF/ZEF Engine

GRID NO. This grid covers:

C-12 Generator

Ref. No.	Part No.	Description	Spec Code	Quantity-KX250		
				'13	'14	ZDF ZEF
11056	11056-1513	BRACKET, CONDENSER		1		1
21003	21003-0102	STATOR		1		1
21003A	21003-0147	STATOR		1		1
21007	21007-0155	ROTOR, I=9.0		1		1
21007A	21007-0164 (OPTION)	ROTOR, I=8.5		1		1
21007B	21007-0165 (OPTION)	ROTOR, I=9.5		1		1
21007C	21007-0593 (OPTION)	ROTOR, I=9.0		1		1
21013	21013-0001	CONDENSER		1		1
21066	21066-0721	REGULATOR-VOLTAGE		1		1
92015	92015-1426	NUT, 12MM		1		1
92151	92151-1764	BOLT, 5X14		2		2
92154	92154-0031	BOLT, SOCKET, 6X22		3		3
132	132BA0610	BOLT-FLANGED-SMALL, 6X10		2		2
510	510A3200	KEY-WOODRUFF		1		1



This catalog covers:

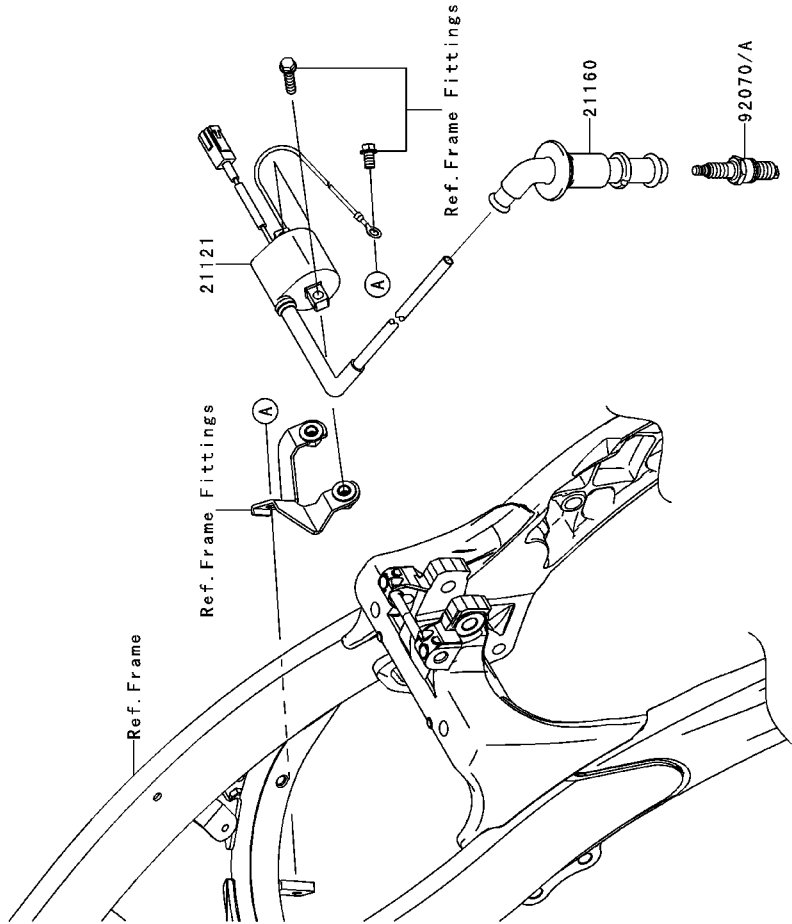
'13~'14 KX250 ZDF/ZEF Engine

GRID NO. This grid covers:

C-13 Ignition System

E1830

Ref. No.	Part No.	Description	Spec Code	Quantity-KX250		
				'13	'14	
21121	21121-0706	COIL-IGNITION				
21160	21160-0553	CAP-ASSY-PLUG				
92070	92070-0020	PLUG-SPARK,CPR8EB-9(NGK)	ZDF	ZEF		
92070A	92070-0021 (OPTION)	PLUG-SPARK,CPR9EB-9(NGK)				

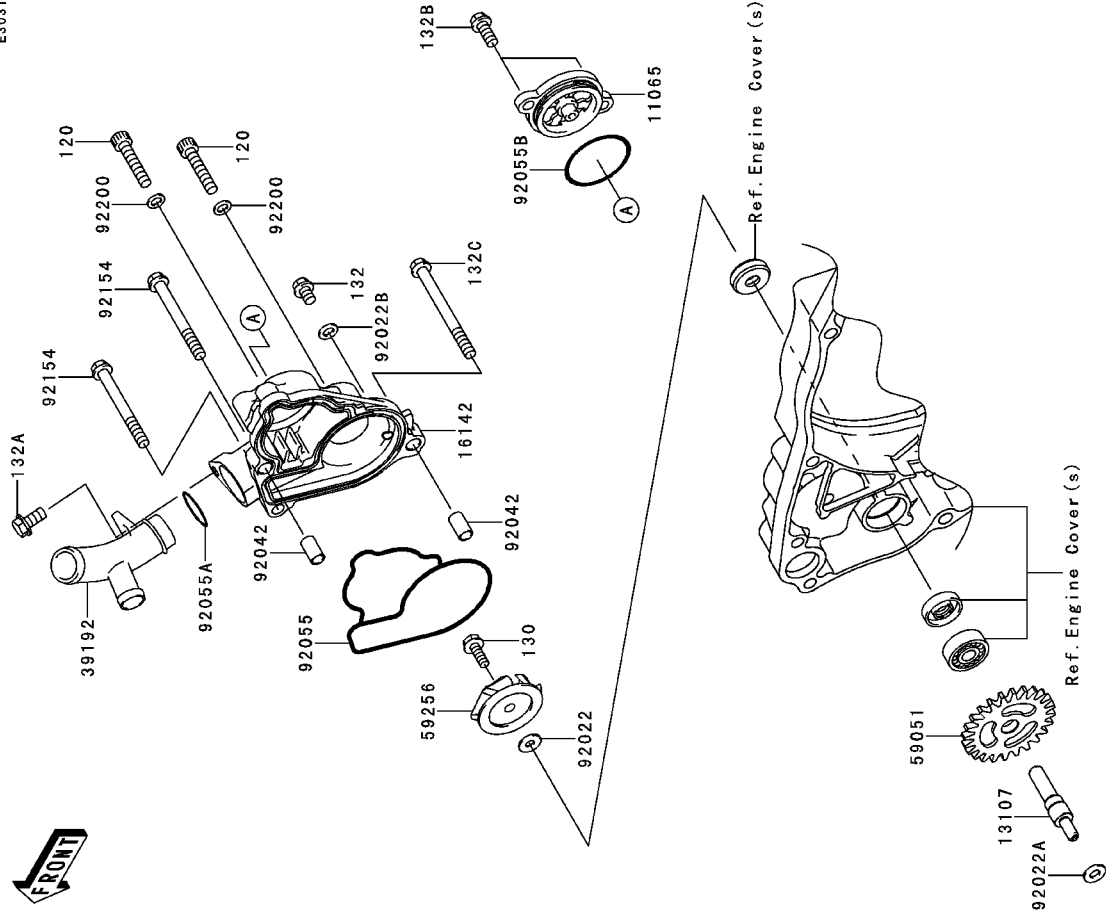


This catalog covers:

'13~'14 KX250 ZDF/ZEF Engine



E33031



GRID NO. This grid covers:

C-14 Water Pump

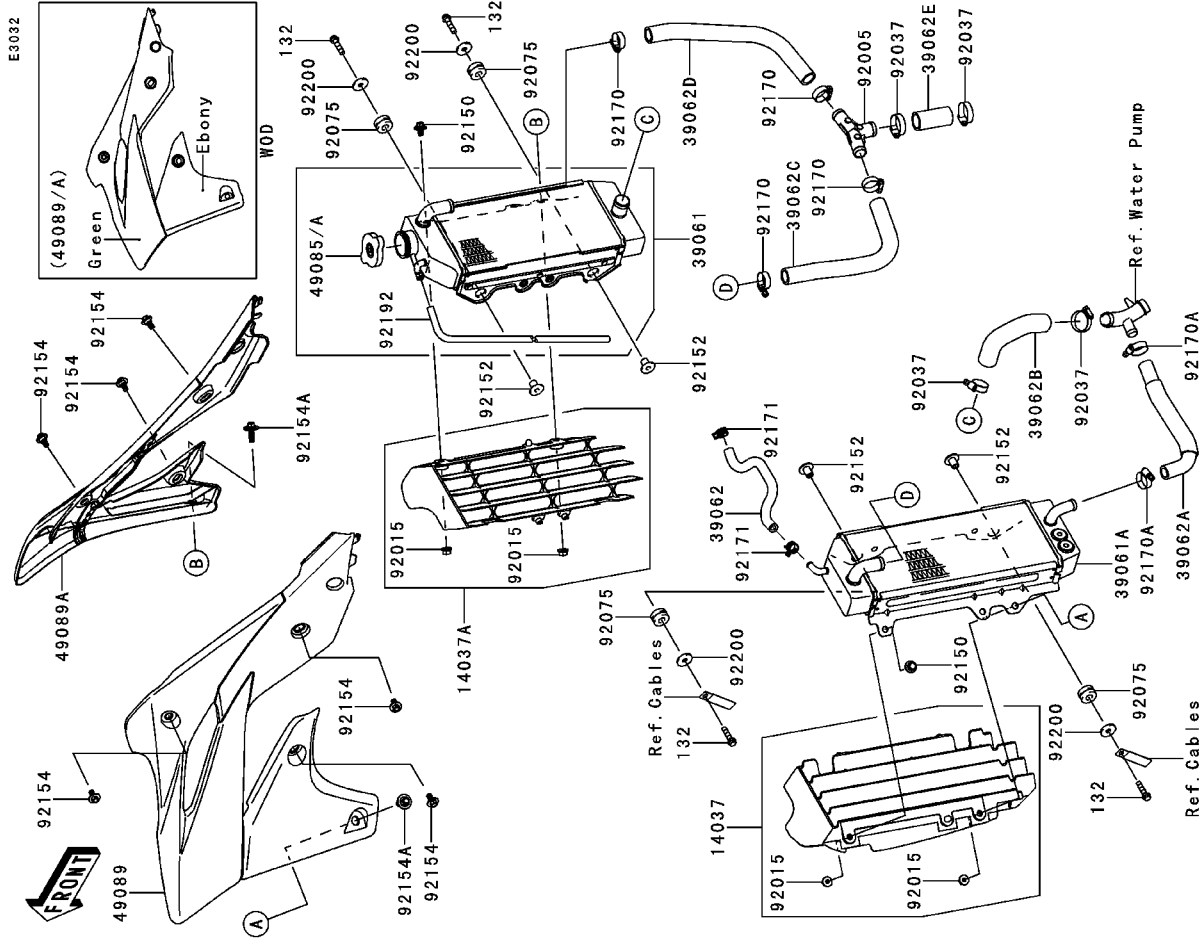
Ref. No.	Part No.	Description	Spec Code	Quantity-KX250		
				'13	'14	ZDF ZEF
11065	11065-0087	CAP		1	1	
13107	13107-0196	SHAFT, WATER PUMP		1	1	
16142	16142-0020	COVER-PUMP, WATER		1	1	
39192	39192-0037	PIPE-WATER		1	1	
59051	59051-0061	GEAR-SPUR, WATER PUMP		1	1	
59256	59256-1065	IMPELLER		1	1	
92022	92022-1380	WASHER 5.2X13X1		1	1	
92022A	92022-1827	WASHER, 6X12.8X1.2		1	1	
92022B	92022-304	WASHER 6.2X11X1		1	1	
92042	92042-007	PIN, DOWEL, 6.3X8X14		2	2	
92055	92055-0010	RING-O, WATER PUMP		1	1	
92055A	92055-1308	RING-O, 18.8X2.4		1	1	
92055B	92055-520	RING-O, 35.2X1.9		1	1	
92154	92154-0532	BOLT, FLANGED, 6X55		2	2	
92200	92200-0190	WASHER 6.1X10.0X1.0		2	2	
120	120CA0630	BOLT-SOCKET, 6X30		2	2	
130	130CD0514	BOLT-FLANGED, 5X14		1	1	
132	132BA0608	BOLT-FLANGED-SMALL, 6X8		1	1	
132A	132BA0612	BOLT-FLANGED-SMALL, 6X12		1	1	
132B	132BA0614	BOLT-FLANGED-SMALL, 6X14		2	2	
132C	132BA0665	BOLT-FLANGED-SMALL, 6X65		1	1	

This catalog covers:

'13~'14 KX250 ZDF/ZEF Engine

GRID NO. This grid covers:

D-3 Radiator



Ref. No.	Part No.	Description	Spec Code	Quantity-KX250		
				'13	'14	ZDF ZEF
14037	14037-0744-6C	SCREEN LH,EBONY		1	1	
14037A	14037-0745-6C	SCREEN,RH,EBONY		1	1	
39061	39061-0168	RADIATOR-ASSY,RH		1	1	
39061A	39061-0190	RADIATOR-ASSY,LH		1	1	
39062	39062-0258	HOSE-COOLING,RAD,LH-RAD,RH		1	1	
39062A	39062-0292	HOSE-COOLING,RAD,LH-W/P		1	1	
39062B	39062-0293	HOSE-COOLING,RAD,RH-W/P		1	1	
39062C	39062-0294	HOSE-COOLING,RAD,LH-FIT.		1	1	
39062D	39062-0295	HOSE-COOLING,RAD,RH-FIT.		1	1	
39062E	39062-1348	HOSE-COOLING		1	1	
49085	49085-1070	CAP-ASSY-PRESSURE,P1.1		1	1	
49085A	49085-1073	CAP-ASSY-PRESSURE,P1.6		1	1	
49089	49089-0832-25M	SHROUD-ENGINE,LH,GREEN/EBONY		1	1	
49089A	49089-0833-25M	SHROUD-ENGINE,RH,GREEN/EBONY		1	1	
92005	92005-0101	FITTING		1	1	
92015	92015-1367	NUT,FLANGED,6MM		4	4	
92037	92037-1589	CLAMP,COOLING HOSE		4	4	
92075	92075-209	DAMPER		4	4	
92150	92150-1435	BOLT,6X12		2	2	
92152	92152-0686	COLLAR		4	4	
92154	92154-0546	BOLT,FLANGED,6X9		6	6	
92154A	92154-0915	BOLT,FLANGED,6X20		2	2	
92170	92170-1077	CLAMP HOSE,26MM		4	4	
92170A	92170-1283	CLAMP		2	2	
92171	92171-0372	CLAMP,CLIP,12.5MM		2	2	
92192	92192-0167	TUBE,6X9X640		1	1	
92200	92200-0271	WASHER,6.5X22X2.3		4	4	
132	132BB0625	BOLT-FLANGED-SMALL,6X25		4	4	

This catalog covers:

'13~'14 KX250 ZDF/ZEF Chassis

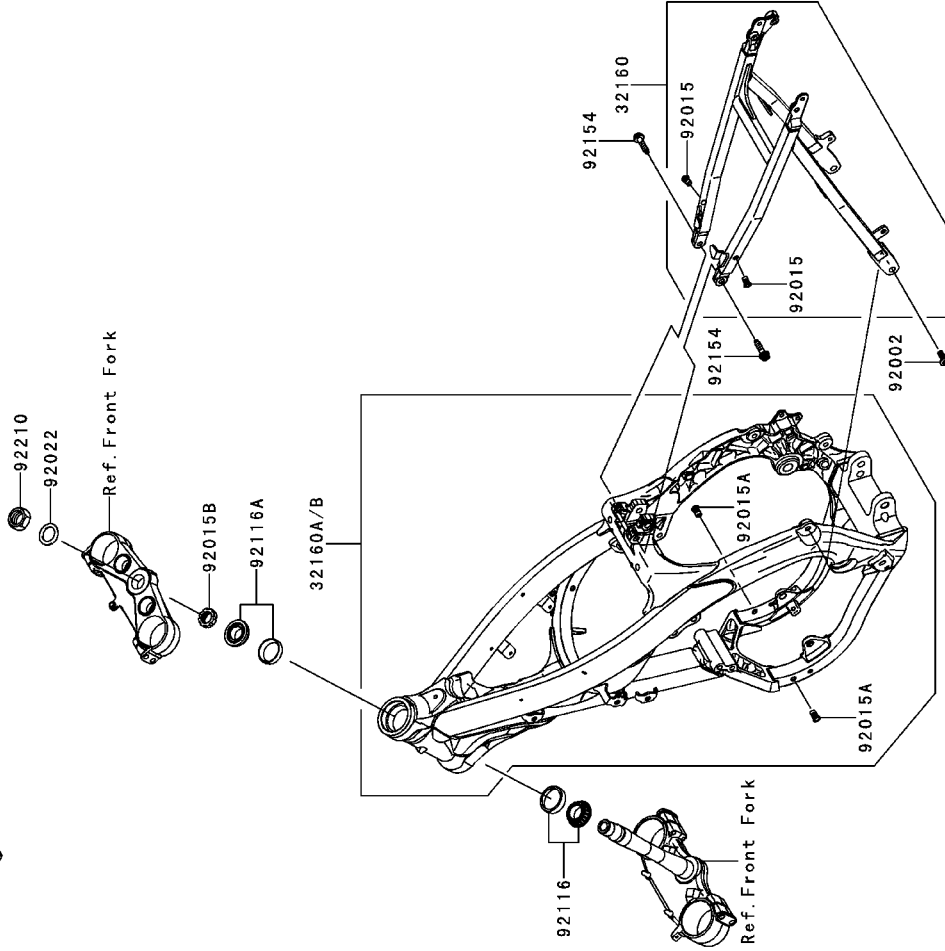


F2120

GRID NO. This grid covers:

E-3 Frame

Ref. No.	Part No.	Description	Spec Code	Quantity-KX250		
				'13	'14	
			ZDF	ZEF		
32160	32160-0543	FRAME-COMP RR			1	1
32160A	32160-0628	FRAME-COMP,MAIN			1	1
32160B	32160-0706	FRAME-COMP,MAIN			2	2
92002	92002-1736	BOLT,DISC PLATE,8X20			2	2
92015	92015-1791	NUT,POP,6MM,L=15			2	2
92015A	92015-1792	NUT,POP,6MM,L=16.5			2	2
92015B	92015-1861	NUT,STEERING STEM,28MM			1	1
92022	92022-250	WASHER,25X36X2.3			1	1
92116	92116-1069	BEARING-ROLLER,HI-CAP32006,JRRS			1	1
92116A	92116-1076	BEARING-ROLLER,HI-CAP320/28JRR			1	1
92154	92154-0024	BOLT, SOCKET,8X32			2	2
92210	92210-0066	NUT,24MM			1	1



This catalog covers:

'13~'14 KX250 ZDF/ZEF Chassis

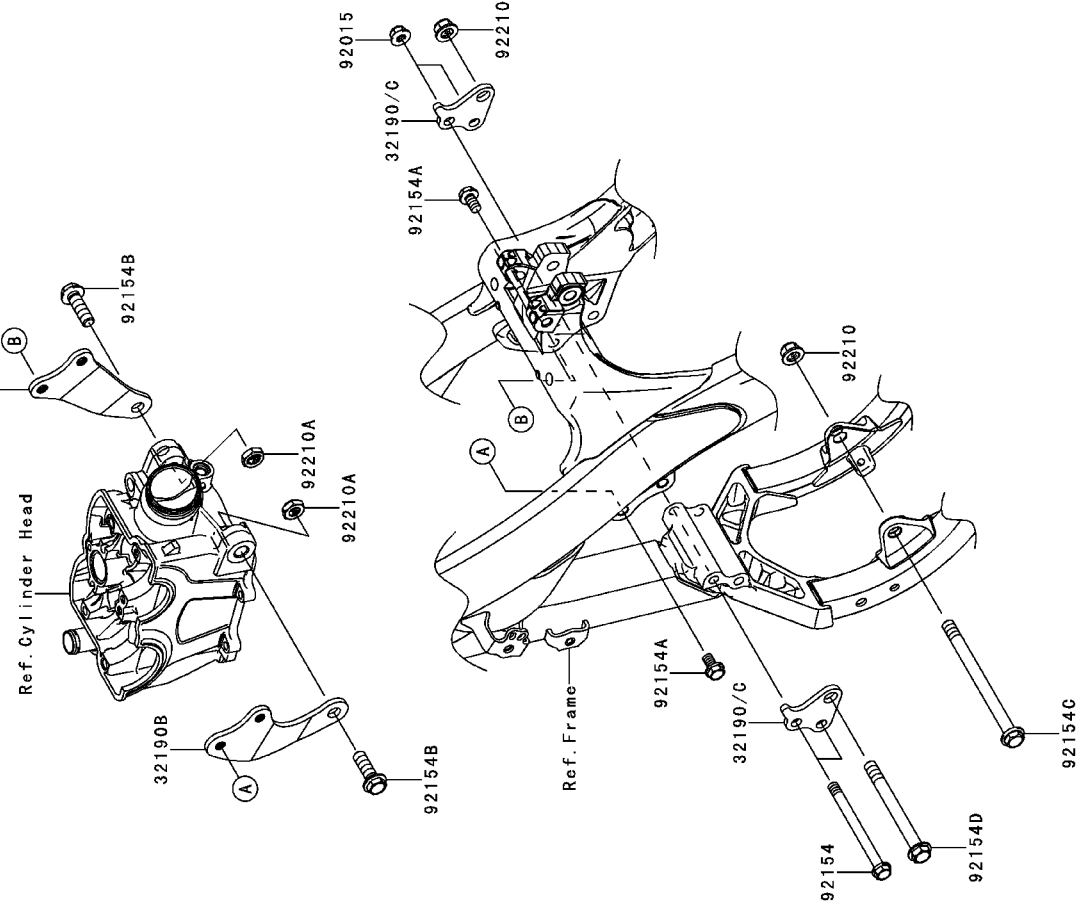


GRID NO. This grid covers:

E-4 Engine Mount

F2122

Ref. No.	Part No.	Description	Spec Code	Quantity-KX250		
				'13	'14	
			ZDF	ZEF		



32190	32190-0461	BRACKET-ENGINE,FR		2	
32190A	32190-0478	BRACKET-ENGINE,UPP,RH		1	1
32190B	32190-0607	BRACKET-ENGINE,UPP,LH		1	1
32190C	32190-0655	BRACKET-ENGINE,FR		2	2
92015	92015-1432	NUT,8MM		2	2
92154	92154-0378	BOLT,FLANGED,8X98		2	2
92154A	92154-0380	BOLT,FLANGED,8X14		4	4
92154B	92154-0381	BOLT,FLANGED,10X32		2	2
92154C	92154-0517	BOLT,FLANGED,10X130		1	1
92154D	92154-0518	BOLT,FLANGED,10X100		1	1
92210	92210-1080	NUT,LOCK,FLANGED,10MM		2	2
92210A	92210-1184	NUT,LOCK,10MM		2	2

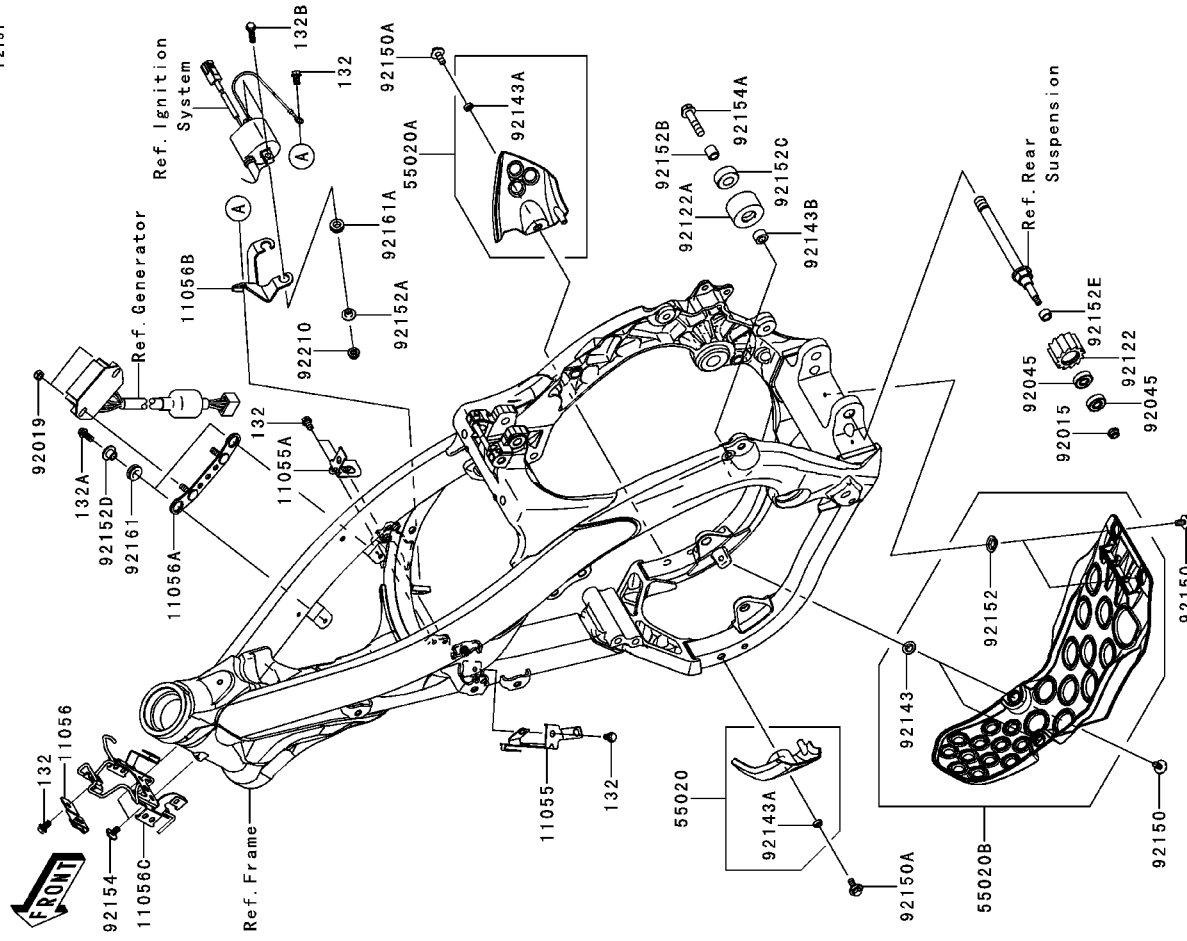
This catalog covers:

'13~'14 KX250 ZDF/ZEF Chassis

GRID NO. This grid covers:

E-5 Frame Fittings

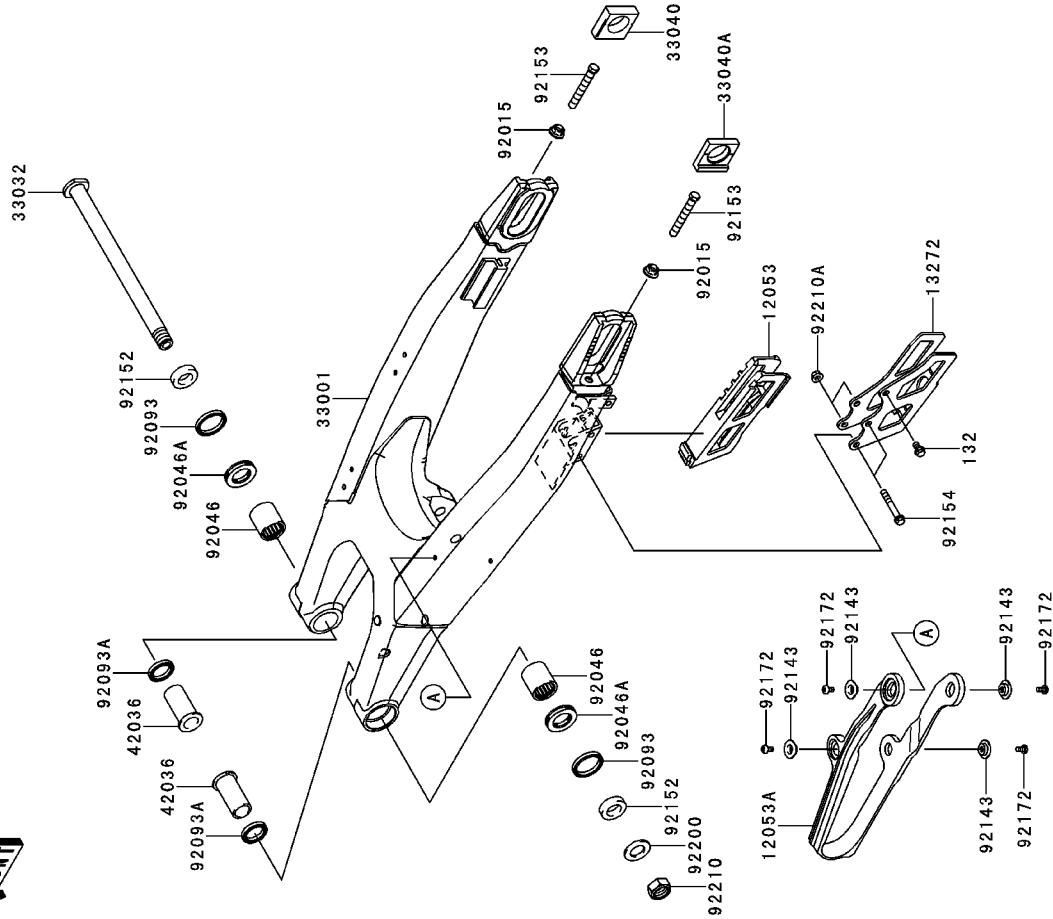
F2131



Ref. No.	Part No.	Description	Spec Code	Quantity-KX250		
				'13	'14	ZDF ZEF
11055	11055-1540	BRACKET, COUPLER		1	1	
11055A	11055-1541	BRACKET		1	1	
11056	11056-0070	BRACKET, DIAG CONNECTOR		1	1	
11056A	11056-0624	BRACKET, REGULATOR		1	1	
11056B	11056-0961	BRACKET, I.G. COIL		1	1	
11056C	11056-1657	BRACKET, ECU		1	1	
55020	55020-0435-6C	GUARD, ENGINE, SIDE, LH, EBONY		1	1	
55020A	55020-0436-6C	GUARD, ENGINE, SIDE, RH, EBONY		1	1	
55020B	55020-0443-6C	GUARD, ENGINE, LWR, EBONY		1	1	
92015	92015-1339	NUT, LOCK, FLANGED, 6MM		1	1	
92019	92019-008	NUT, LOCK, 6MM		2	2	
92045	92045-0060	BEARING-BALL, 608LLU/2A		2	2	
92122	92122-0016	ROLLER, CHAIN GUIDE		1	1	
92122A	92122-0042	ROLLER, CHAIN		1	1	
92143	92143-1196	COLLAR		2	2	
92143A	92143-1307	COLLAR		2	2	
92143B	92143-1642	COLLAR, 8.5X15X9		1	1	
92150	92150-1435	BOLT, 6X12		4	4	
92150A	92150-1506	BOLT, FLANGED, 6X16		2	2	
92152	92152-0052	COLLAR		2	2	
92152A	92152-0620	COLLAR		2	2	
92152B	92152-0944	COLLAR, 8.5X12.5X12.5		1	1	
92152C	92152-0945	COLLAR, 12.7X27.2X12		1	1	
92152D	92152-1449	COLLAR		2	2	
92152E	92152-1624	COLLAR, 8.1X12.5X7.5		1	1	
92154	92154-0774	BOLT, SOCKET, 6X10		2	2	
92154A	92154-0913	BOLT, FLANGED, 8X35		1	1	
92161	92161-0266	DAMPER		2	2	
92161A	92161-0878	DAMPER, 8.5X15.5X5.5		2	2	
92210	92210-0630	NUT, FLANGED, 6MM		2	2	
132	132BA0610	BOLT-FLANGED-SMALL, 6X10		5	5	
132A	132BA0614	BOLT-FLANGED-SMALL, 6X14		2	2	
132B	132BA0625	BOLT-FLANGED-SMALL, 6X25		2	2	

This catalog covers:

'13~'14 KX250 ZDF/ZEF Chassis



GRID NO. This grid covers:

E-6 Swingarm

F2141

Ref. No.	Part No.	Description	Spec Code	Quantity-KX250		
				'13	'14	ZDF ZEF
12053	12053-0125	GUIDE-CHAIN		1	1	
12053A	12053-0192	GUIDE-CHAIN,HARDNESS UP		1	1	
13272	13272-1169	PLATE,CHAIN GUIDE		1	1	
33001	33001-0594	ARM-COMP-SWING		1	1	
33032	33032-0012	SHAFT-SWING ARM		1	1	
33040	33040-0020	ADJUSTER-CHAIN,RH		1	1	
33040A	33040-0075	ADJUSTER-CHAIN,LH		1	1	
42036	42036-0019	SLEEVE,SWING ARM,L=47.5		2	2	
92015	92015-1014	NUT,FLANGED,6MM		2	2	
92046	92046-1174	BEARING-NEEDLE,TA2230Z		2	2	
92046A	92046-1240	BEARING-NEEDLE,NTBR22356E01		2	2	
92093	92093-1434	SEAL,SDO29X35X4.5		2	2	
92093A	92093-1435	SEAL,SDO22X29X5		2	2	
92143	92143-1676	COLLAR		4	4	
92152	92152-0292	COLLAR,17.1X29X6		2	2	
92153	92153-0620	BOLT,8X56		2	2	
92154	92154-0511	BOLT,FLANGED,6X42		2	2	
92172	92172-0119	SCREW,5X8		4	4	
92200	92200-0285	WASHER,17.2X30X2.3		1	1	
92210	92210-0285	NUT,LOCK,16MM		1	1	
92210A	92210-0630	NUT,FLANGED,6MM		2	2	
132	132BA0610	BOLT-FLANGED-SMALL,6X10		1	1	

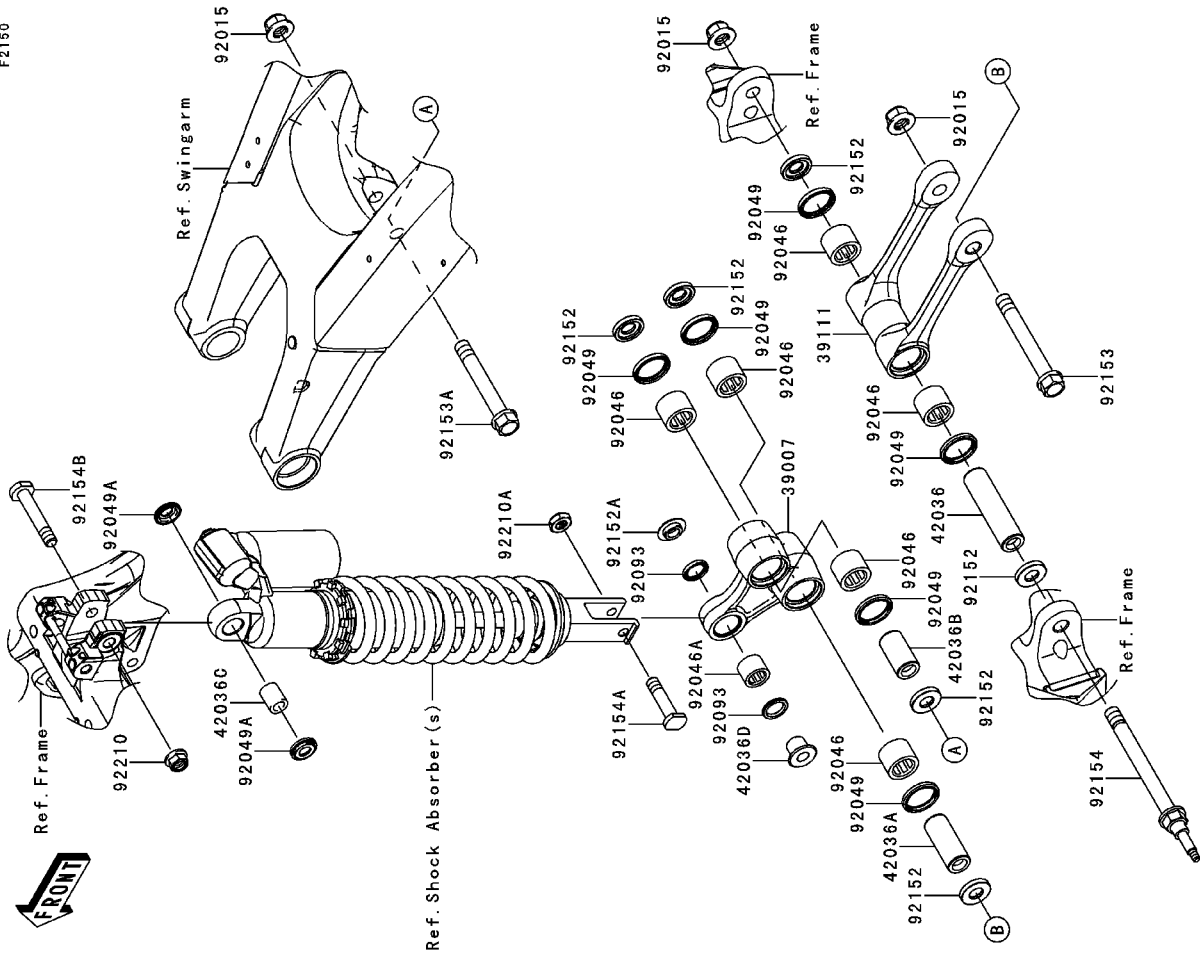
This catalog covers:

'13~'14 KX250 ZDF/ZEF Chassis

GRID NO. This grid covers:

E-7 Suspension

F2150



Ref. No.	Part No.	Description	Spec Code	Quantity-KX250		
				'13	'14	ZDF ZEF
39007	39007-0361	ARM-SUSP,UNI TRAK		1		1
39111	39111-0309	ROD-TIE,SUSPENSION		1		1
42036	42036-0020	SLEEVE,ROD,L=78.4		1		1
42036A	42036-0021	SLEEVE,SUSPENSION ARM,L=49		1		1
42036B	42036-0022	SLEEVE,SUSPENSION ARM,L=37		1		1
42036C	42036-0030	SLEEVE,10X16X19.3		1		1
42036D	42036-1351	SLEEVE		1		1
92015	92015-1433	NUT,LOCK,FLANGED,12MM		3		3
92046	92046-1151	BEARING-NEEDLE,F-2016		6		6
92046A	92046-1301	BEARING-NEEDLE,7E-HVS16X22X12		1		1
92049	92049-0063	SEAL-OIL,SDO26X32X4		6		6
92049A	92049-0069	SEAL-OIL		2		2
92093	92093-1436	SEAL		2		2
92152	92152-0425	COLLAR		6		6
92152A	92152-1139	COLLAR		1		1
92153	92153-0938	BOLT,FLANGED,12X95		1		1
92153A	92153-0939	BOLT,FLANGED,12X86		1		1
92154	92154-0394	BOLT,12X122		1		1
92154A	92154-0512	BOLT,10X45		1		1
92154B	92154-0513	BOLT,10X58		1		1
92210	92210-1080	NUT,LOCK,FLANGED,10MM		1		1
92210A	92210-1184	NUT,LOCK,10MM		1		1

This catalog covers:

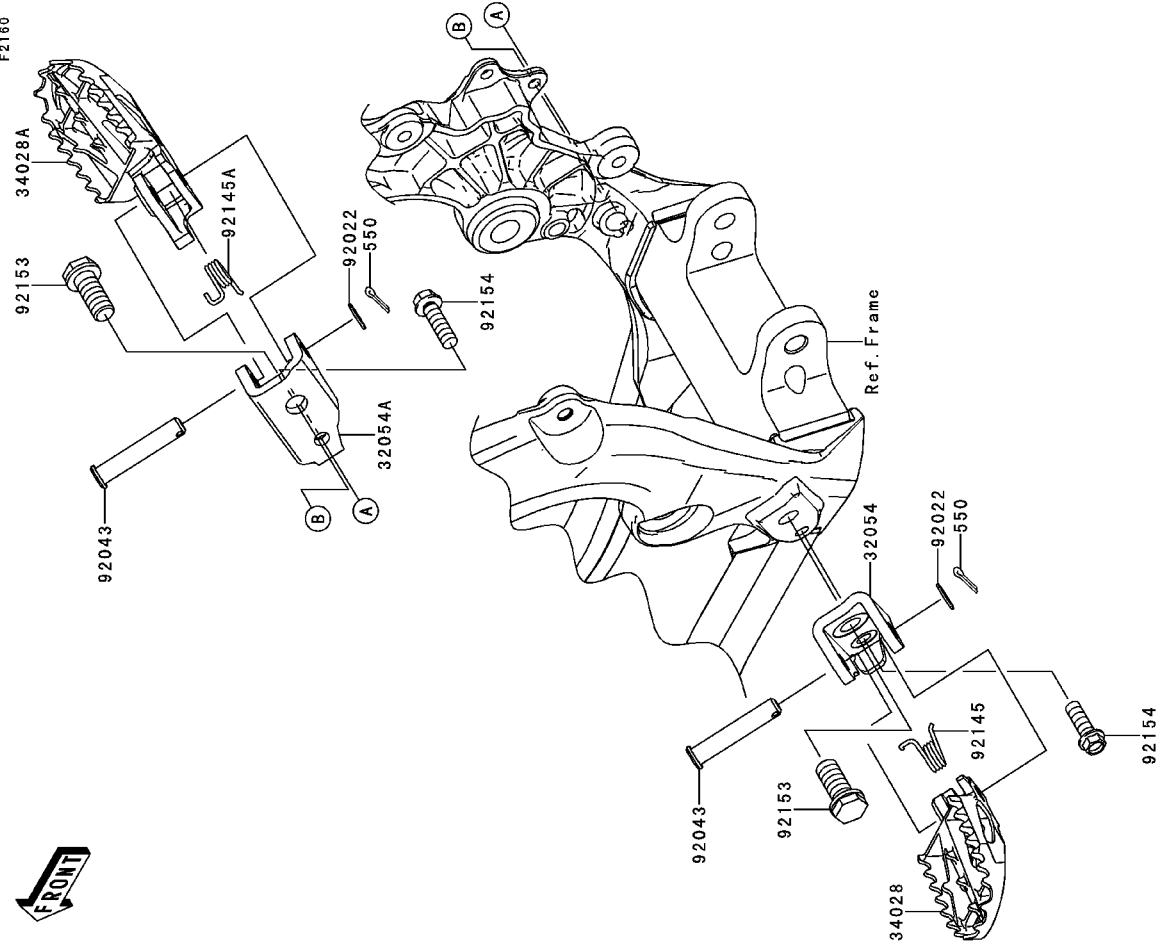
'13~'14 KX250 ZDF/ZEF Chassis



GRID NO. This grid covers:

E-8 Footrests

F2160



Ref. No.	Part No.	Description	Spec Code	Quantity-KX250		
				'13	'14	
			ZDF	ZEF		
32054	32054-0049	BRACKET-STEP,LH			1	1
32054A	32054-0050	BRACKET-STEP,RH			1	1
34028	34028-0104	STEP,LH			1	1
34028A	34028-0105	STEP,RH			1	1
92022	92022-1829	WASHER,10.2X16X1			2	2
92043	92043-0074	PIN,10X42.5			2	2
92145	92145-0800	SPRING-STEP,LH			1	1
92145A	92145-0801	SPRING-STEP,RH			1	1
92153	92153-0653	BOLT,FLANGED,12X23			2	2
92154	92154-0515	BOLT,FLANGED,8X25			2	2
550	550S3020	PIN-COTTER,3.0X20			2	2

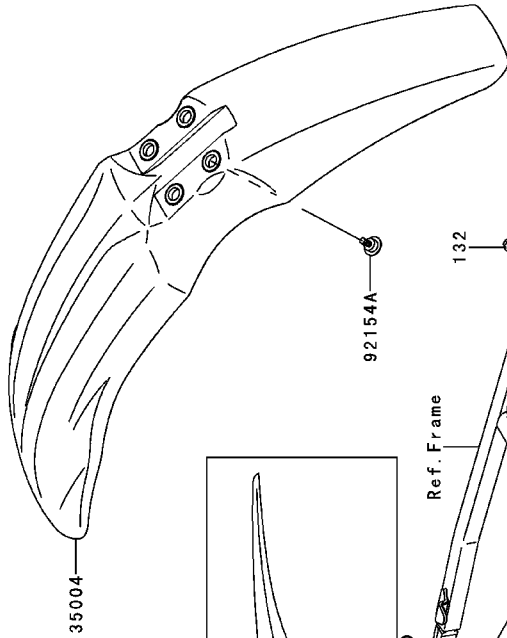
This catalog covers:

'13~'14 KX250 ZDF/ZEF Chassis

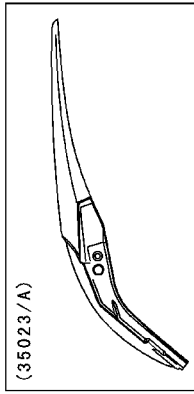
GRID NO. This grid covers:

E-9 Fenders

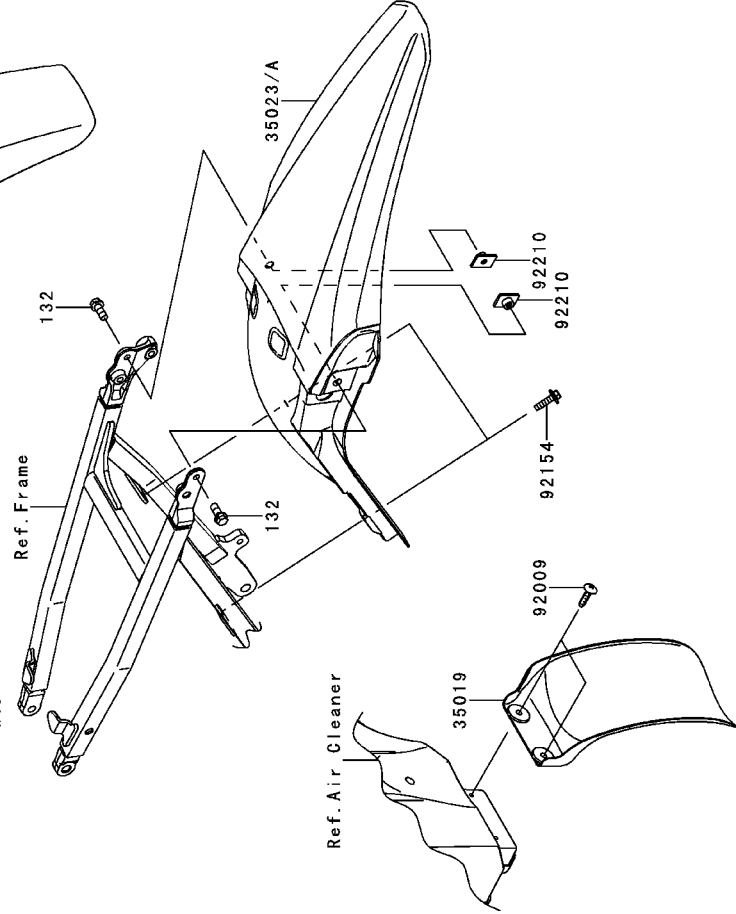
F2170



(35023)	White
(35023A)	Ebony



W0D



Ref. No.	Part No.	Description	Spec Code	Quantity-KX250	
				'13	'14
35004	35004-0319-290	FENDER-FRONT,L.GREEN			1
35019	35019-0050	FLAP,AIR FILTER			1
35023	35023-0357-266	FENDER-REAR,B.WHITE			1
35023A	35023-0357-6C	FENDER-REAR,EBONY			1
92009	92009-1993	SCREW,TAPPING,5X20			2
92154	92154-0772	BOLT,FLANGED,6X23			2
92154A	92154-0972	BOLT,6X18.5			4
92210	92210-1352	NUT,PLATE,6MM			2
132	132BA0614	BOLT-FLANGED-SMALL,6X14			2

This catalog covers:

'13~'14 KX250 ZDF/ZEF Chassis

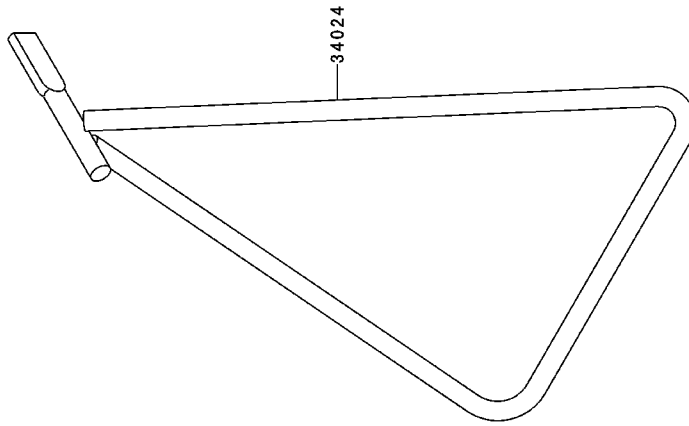
GRID NO. This grid covers:

E-10 Stand(s)



F2190

Ref. No.	Part No.	Description	Spec Code	Quantity-KX250		
				'13	'14	
34024	34024-0074	STAND-SIDE	ZDF	ZEF	1	1



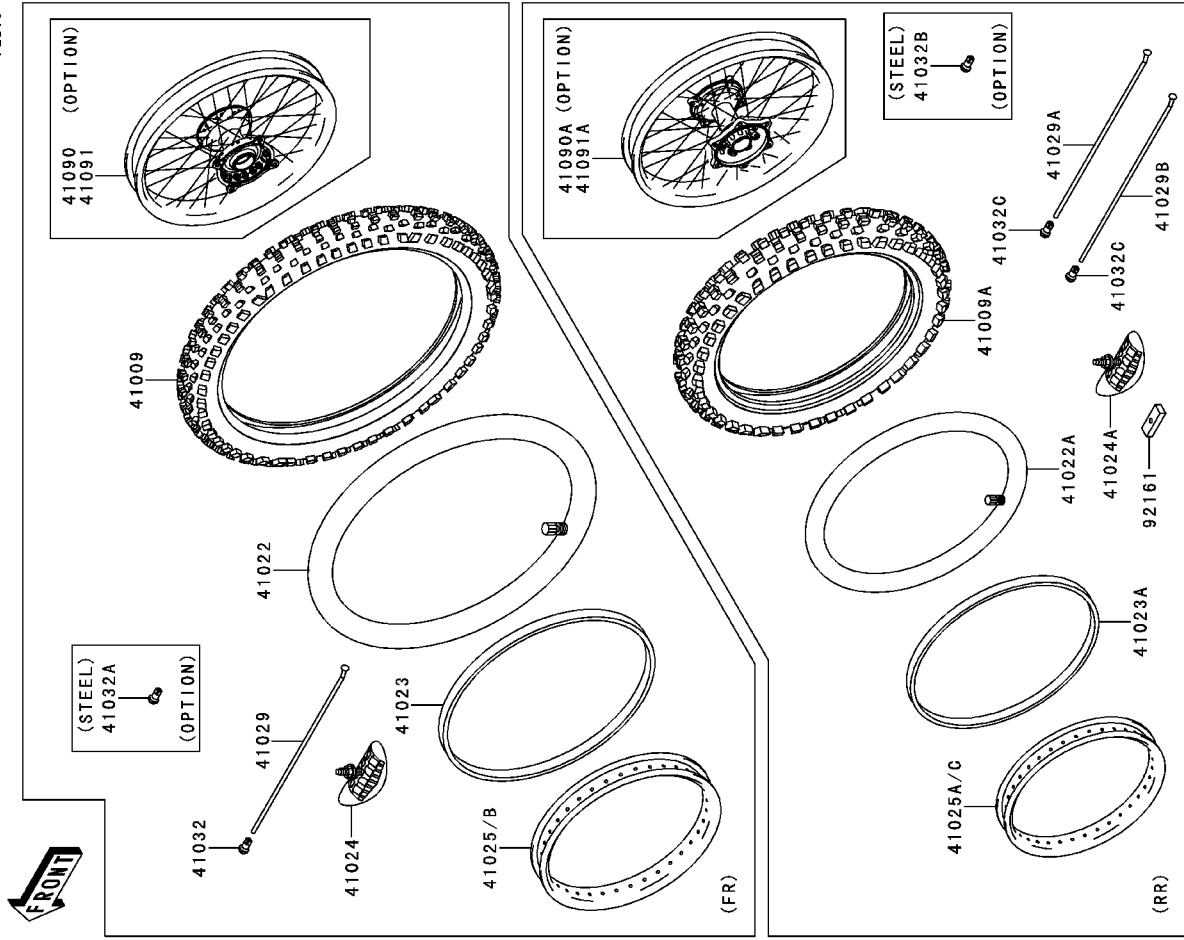
This catalog covers:

'13~'14 KX250 ZDF/ZEF Chassis

GRID NO. This grid covers:

E-11 Tires

F2210



Ref. No.	Part No.	Description	Spec Code	Quantity-KX250		
				'13	'14	
			ZDF	ZEF		
41009	41009-0531	TIRE,FR,80/100-21,51M,MX51F(D)			1	1
41009A	41009-0532	TIRE,RR,100/90-19,57M,MX51(D)			1	1
41022	41022-0022	TUBE-TIRE,FR,90/100-21(D)			1	1
41022A	41022-1129	TUBE-TIRE,RR,100/90-19(D)			1	1
41023	41023-1009	BAND-RIM,FR,X-21(BS)			1	1
41023A	41023-1081	BAND-RIM,RR,110/90-19(BS)			1	1
41024	41024-010	STOPPER-RIM,FR,1.60-M(DUNLOP)			1	1
41024A	41024-011	STOPPER-RIM,RR,1.85-M(DUNLOP)			1	1
41025	41025-0146-WC	RIM,FR,1.60X21,BLACK			1	1
41025A	41025-0147-WC	RIM,RR,1.85X19,BLACK			1	1
41025B	41025-0339-WC	RIM,FR,1.60X21,BLACK			1	1
41025C	41025-0344-WC	RIM,RR,1.85X19,BLACK			36	36
41029	41029-0003	SPOKE-INNER,FR			27	27
41029A	41029-1204	SPOKE-INNER,RR,202MMX160D			9	9
41029B	41029-1330	SPOKE-INNER,RR,204MMX159D			9	9
41032	41032-0002	NIPPLE-SPOKE,FR,ALUMINIUM			36	36
41032A	41032-1077	NIPPLE-SPOKE,FR,8X9X20(+),STEEL			36	36
41032B	41032-1085 (OPTION)	NIPPLE-SPOKE,RR,STEEL			36	36
41032C	41032-1086 (OPTION)	NIPPLE-SPOKE,RR,ALUMINIUM			36	36
41090	41090-0114-WC (OPTION)	WHEEL,FR,1.60X21,AL,NIPPLE,BLK			1	1
41090A	41090-0115-WC (OPTION)	WHEEL,RR,1.85X19,AL,NIPPLE,BLK			1	1
41091	41091-0004-WC (OPTION)	WHEEL,FR,1.60X21,AL,NIPPLE,BLK			1	1
41091A	41091-0005-WC (OPTION)	WHEEL,RR,1.85X19,AL,NIPPLE,BLK			1	1
92161	92161-1184	DAMPER,RIM STOPPER			1	1

This catalog covers:

'13~'14 KX250 ZDF/ZEF Chassis

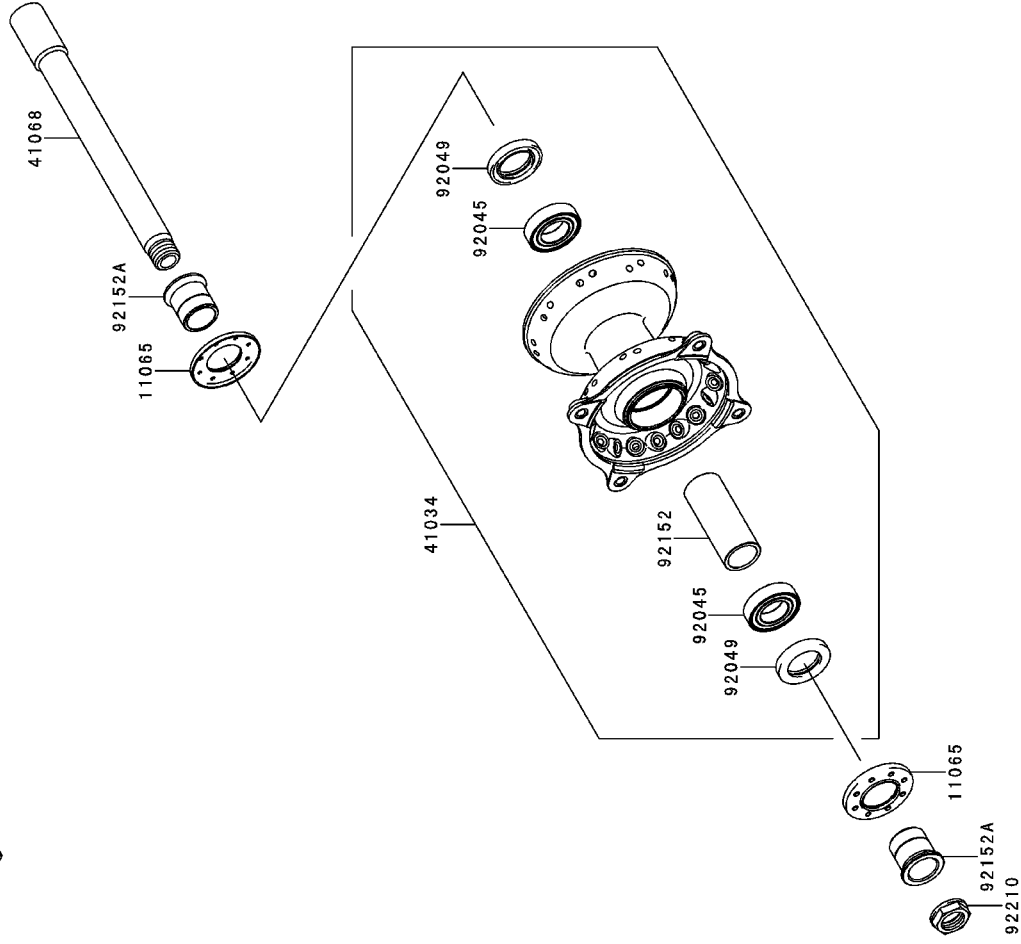


F2230

GRID NO. This grid covers:

E-12 Front Hub

Ref. No.	Part No.	Description	Spec Code	Quantity-KX250		
				'13	'14	
11065	11065-0786	CAP AXLE		2	2	
41034	41034-0034	DRUM-ASSY,FRONT BRAKE		1	1	
41068	41068-0004	AXLE,FR		1	1	
92045	92045-1284	BEARING-BALL,69042RS		2	2	
92049	92049-1403	SEAL-OIL,BJNC-2 25X37X5		2	2	
92152	92152-0028	COLLAR,FRONT BRAKE DRUM,L=65		1	1	
92152A	92152-0324	COLLAR FR AXLE,L=27.5		2	2	
92210	92210-0065	NUT,18MM		1	1	



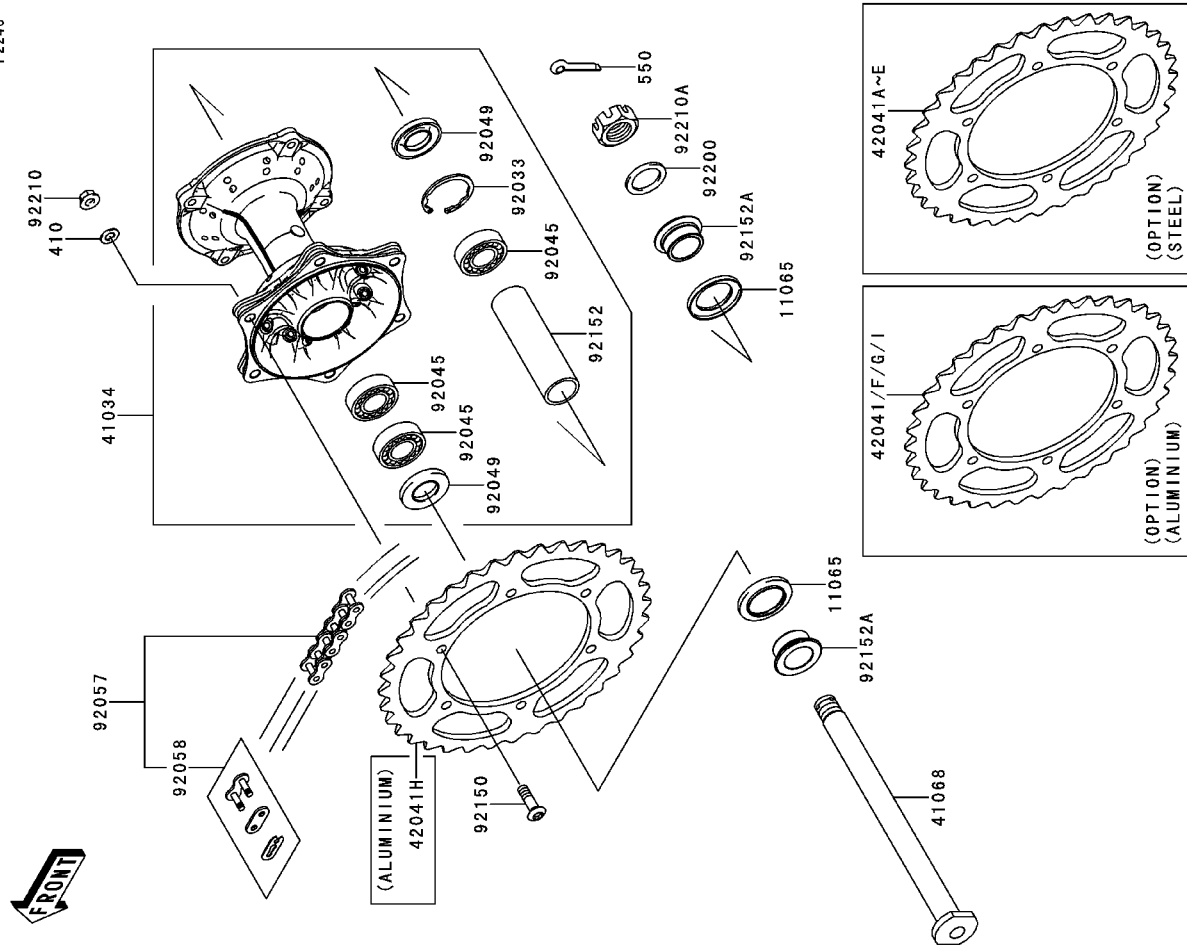
This catalog covers:

'13~'14 KX250 ZDF/ZEF Chassis

GRID NO. This grid covers:

E-13 Rear Hub

F2240



Ref. No.	Part No.	Description	Spec Code	Quantity-KX250		
				'13	'14	ZDF ZEF
11065	11065-1253	CAP AXLE		2	2	
41034	41034-0057	DRUM-ASSY,REAR BRAKE		1	1	
41068	41068-1466	AXLE,RR		1	1	
42041	42041-0001	SPROCKET-HUB,52T,AL		1	1	
42041A	42041-1383 (OPTION)	SPROCKET-HUB,48T,STEEL		1	1	
42041B	42041-1384 (OPTION)	SPROCKET-HUB,49T,STEEL		1	1	
42041C	42041-1408 (OPTION)	SPROCKET-HUB,50T,STEEL		1	1	
42041D	42041-1428 (OPTION)	SPROCKET-HUB,51T,STEEL		1	1	
42041E	42041-1429 (OPTION)	SPROCKET-HUB,52T,STEEL		1	1	
42041F	42041-1448 (OPTION)	SPROCKET-HUB,48T,AL		1	1	
42041G	42041-1449 (OPTION)	SPROCKET-HUB,49T,AL		1	1	
42041H	42041-1450 (OPTION)	SPROCKET-HUB,50T,AL		1	1	
42041I	42041-1451 (OPTION)	SPROCKET-HUB,51T,AL		1	1	
92033	92033-1041	RING-SNAP 42MM		1	1	
92045	92045-1446	BEARING-BALL,69052RS		3	3	
92049	92049-1614	SEAL-OIL		2	2	
92057	92057-0192	CHAIN,DRIVE,DID520DMA4X114L		1	1	
92058	92058-1074	JOINT-CHAIN,DRIVE		1	1	
92150	92150-1978	BOLT,SOCKET,8X28		6	6	
92152	92152-1427	COLLAR,REAR BRAKE DRUM,L=106.5		1	1	
92152A	92152-1544	COLLAR,RR HUB		2	2	
92200	92200-1623	WASHER,22.5X35X2.3		1	1	
92210	92210-0493	NUT,FLANGED,LOCK,8MM		6	6	
92210A	92210-1411	NUT,CASTLE,22MM		1	1	
410	410AA0800	WASHER-PLAIN-SMALL,8MM		6	6	
550	550AA3035	PIN-COTTER,3.0X35		1	1	

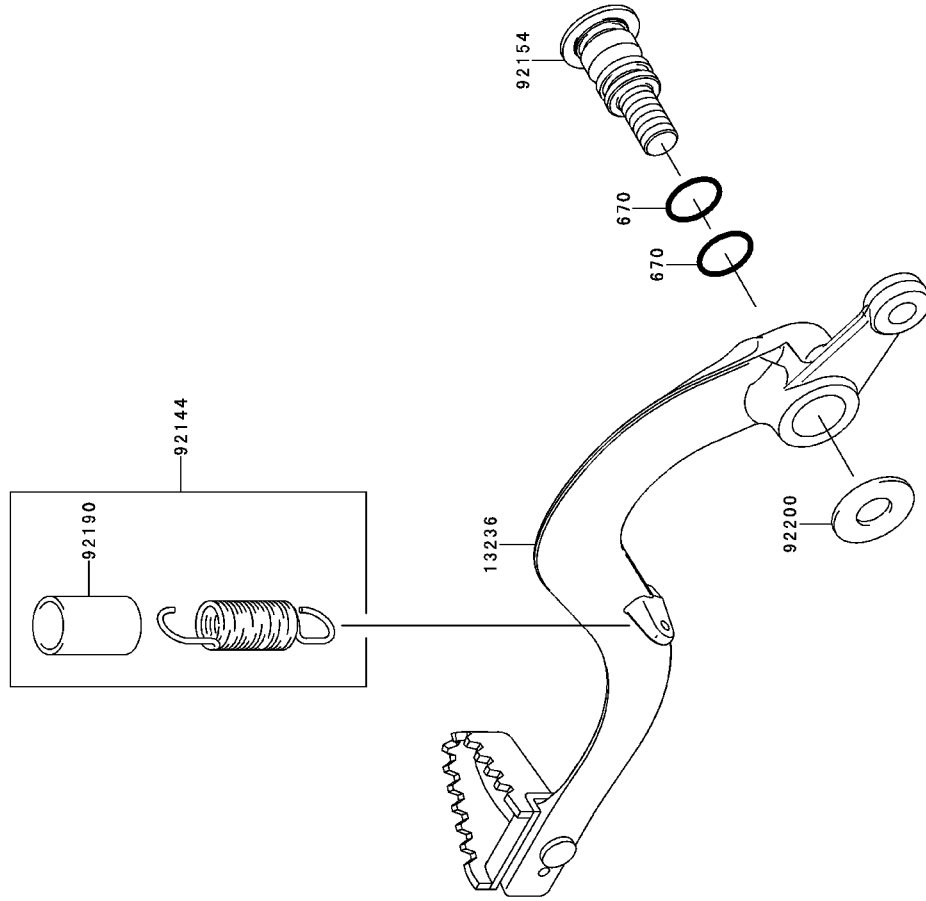
This catalog covers:

'13~'14 KX250 ZDF/ZEF Chassis

GRID NO. This grid covers:

E-14 Brake Pedal

F2260



Ref. No.	Part No.	Description	Spec Code	Quantity-KX250		
				'13	'14	
13236	13236-0097	LEVER-COMP BRAKE PEDAL				
92144	92144-1752	SPRING,BRAKE PEDAL RETURN				
92154	92154-0516	BOLT,BRAKE PEDAL,10MM				
92190	92190-1488	TUBE,13X16X25				
92200	92200-0154	WASHER,10.5X24X1.5				
670	670B2012	O RING,12MM				

1	1			
1	1			
1	1			
1	1			
1	1			
2	2			

This catalog covers:

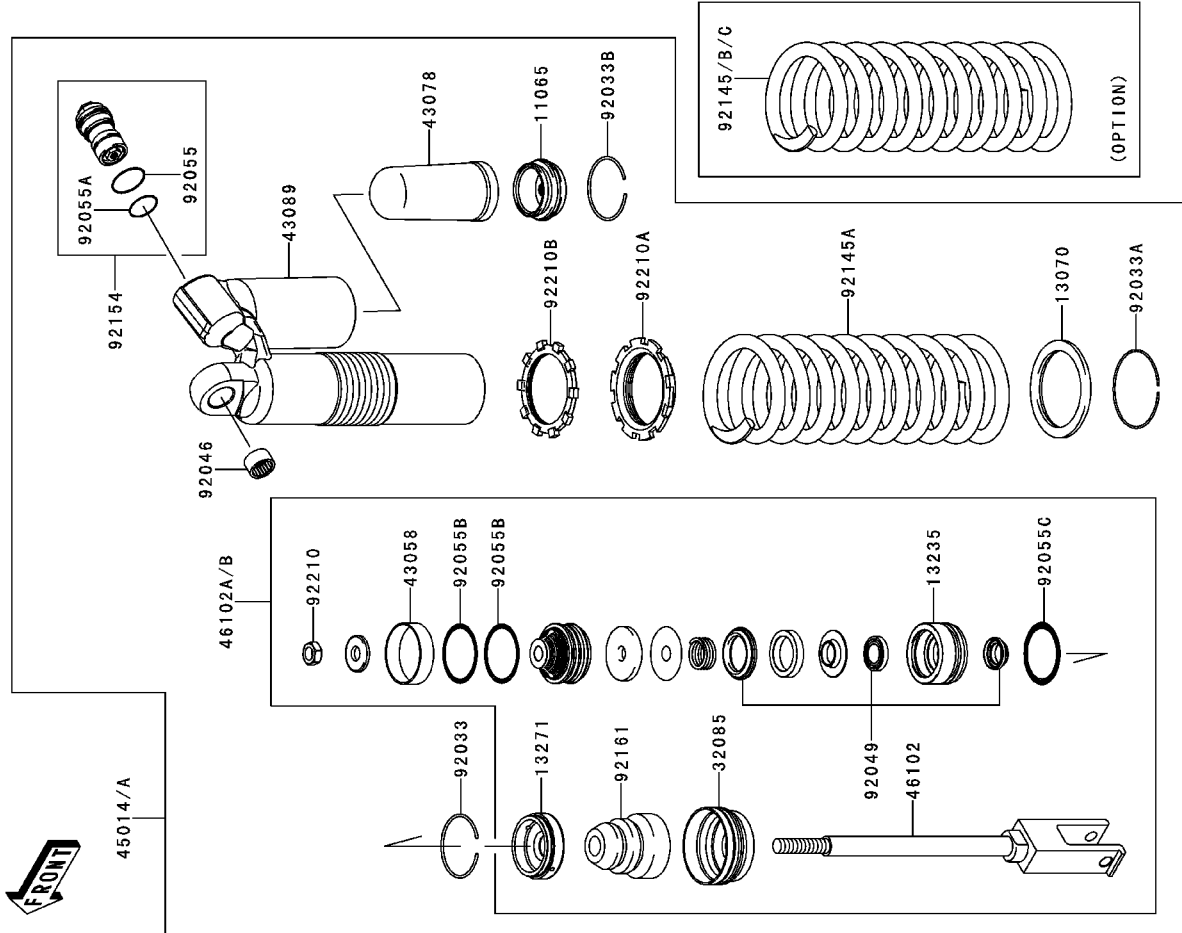
'13~'14 KX250 ZDF/ZEF Chassis

GRID NO. This grid covers:

F-3 Shock Absorber(s)

Ref. No.	Part No.	Description	Spec Code	Quantity-KX250		
				'13	'14	ZDF ZEF
11065	11065-0340	CAP,CHAMBER		1	1	
13070	13070-0057	GUIDE,SPRING SEAT		1	1	
13235	13235-0003	GUIDE-COMP,ROD		1	1	
13271	13271-0858	PLATE,END		1	1	
32085	32085-0077	STOPPER,SPRING SEAT		1	1	
43058	43058-0012	RING,PISTON		1	1	
43078	43078-0030	RESERVOIR		1	1	
43089	43089-0026	CYLINDER-SHOCKABSORBER		1	1	
45014	45014-0405-23P	SHOCKABSORBER,SPG BLK+AJ BLUE		1	1	
45014A	45014-0417-23P	SHOCKABSORBER,SPG BLK+AJ BLUE		1	1	
46102	46102-0574	ROD,PISTON		1	1	
46102A	46102-0584	ROD,PISTON COMP		1	1	
46102B	46102-0591	ROD,PISTON COMP		1	1	
92033	92033-0040	RING-SNAP		1	1	
92033A	92033-0042	RING-SNAP		1	1	
92033B	92033-0076	RING-SNAP		1	1	
92046	92046-1301	BEARING-NEEDLE,7E-HVS16X22X12		1	1	
92049	92049-0151	SEAL-OIL		1	1	
92055	92055-0098	RING-O,PLUG BOLT		1	1	
92055A	92055-0099	RING-O,PLUG BOLT		1	1	
92055B	92055-0100	RING-O		2	2	
92055C	92055-0101	RING-O		1	1	
92145	92145-0465-10	SPRING,REAR SHOCK,K=49N/MM,BLK		1	1	
92145A	92145-0887-10	SPRING,REAR SHOCK,K=53N/MM,BLK		1	1	
92145B	92145-0888-10	SPRING,REAR SHOCK,K=51N/MM,BLK		1	1	
92145C	92145-0889-10	SPRING,REAR SHOCK,K=55N/MM,BLK		1	1	
92154	92154-1109-KW	BOLT,ADJ,BLUE		1	1	
92161	92161-0329	DAMPER,STOPPER		1	1	
92210	92210-0270	NUT,PISTON		1	1	
92210A	92210-0814	NUT,SPRING ADJUSTER		1	1	
92210B	92210-0815	NUT,SPRING ADJUST NUT		1	1	

F2280



This catalog covers:

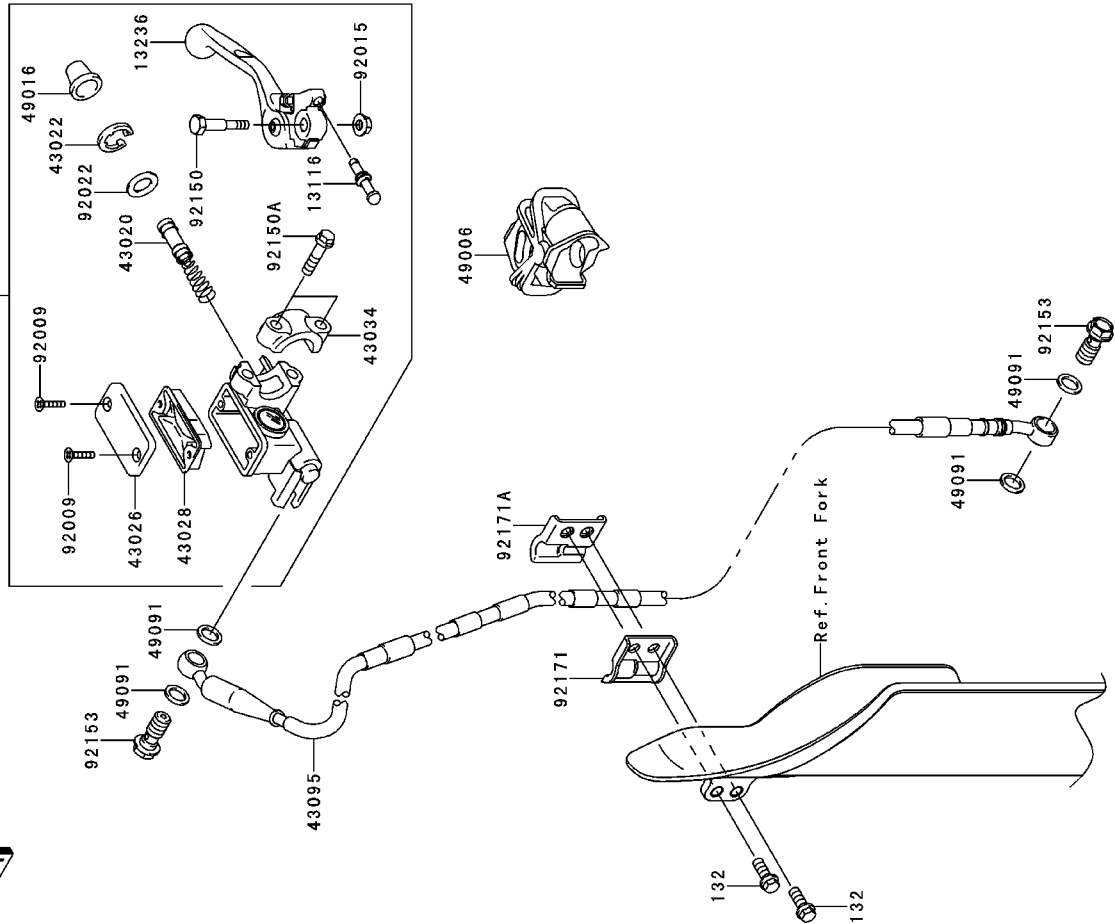
'13~'14 KX250 ZDF/ZEF Chassis



GRID NO. This grid covers:

F-4 Front Master Cylinder

F2281



Ref. No.	Part No.	Description	Spec Code	Quantity-KX250		
				'13	'14	ZDF ZEF
13116	13116-0043	ROD-PUSH		1		
13236	13236-0724	LEVER-COMP,FRONT BRAKE		1		
43015	43015-0579	CYLINDER-ASSY-MASTER		1		
43020	43020-1115	PISTON-COMP-BRAKE		1		
43022	43022-1010	STOPPER-BRAKE,PISTON		1		
43026	43026-0020	CAP-BRAKE,MASTER CYLINDER		1		
43028	43028-1067	DIAPHRAGM		1		
43034	43034-1110	HOLDER-BRAKE		1		
43095	43095-0755	HOSE-BRAKE,L=1316		1		
49006	49006-0078	BOOT,FRONT BRAKE LEVER		1		
49016	49016-1044	COVER-SEAL,MASTER CYLINDER		1		
49091	49091-0001	WASHER-SEAL,10.1X14.5X1.5		4		
92009	92009-1795	SCREW		2		
92015	92015-1528	NUT,FLANGED,6MM		1		
92022	92022-1814	WASHER		1		
92150	92150-1451	BOLT,LEVER SET		1		
92150A	92150-1452	BOLT		2		
92153	92153-1419	BOLT,OIL,L=23		2		
92171	92171-0481	CLAMP,BRAKE HOSE,LH		1		
92171A	92171-0482	CLAMP,BRAKE HOSE,RH		1		
132	132BA0616	BOLT-FLANGED-SMALL,6X16		2		

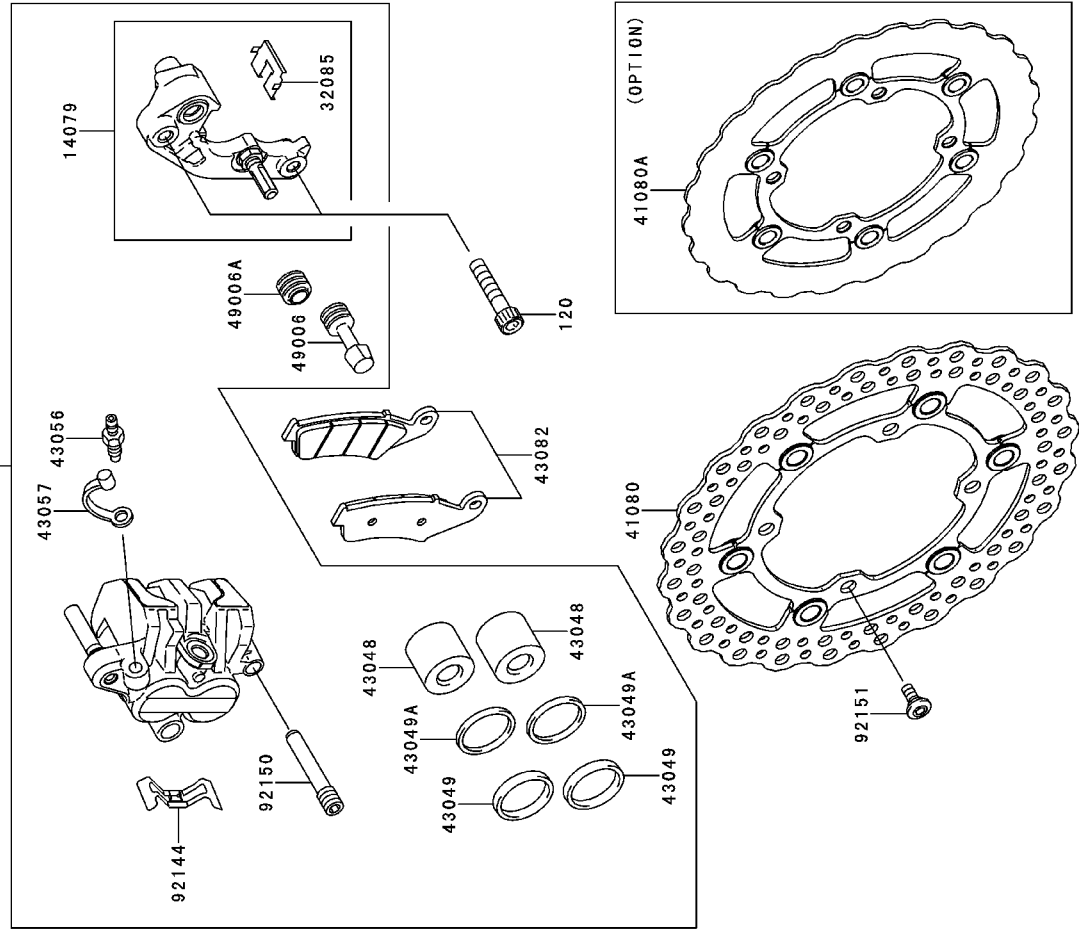
This catalog covers:

'13~'14 KX250 ZDF/ZEF Chassis

GRID NO. This grid covers:

F-5 Front Brake

F2292



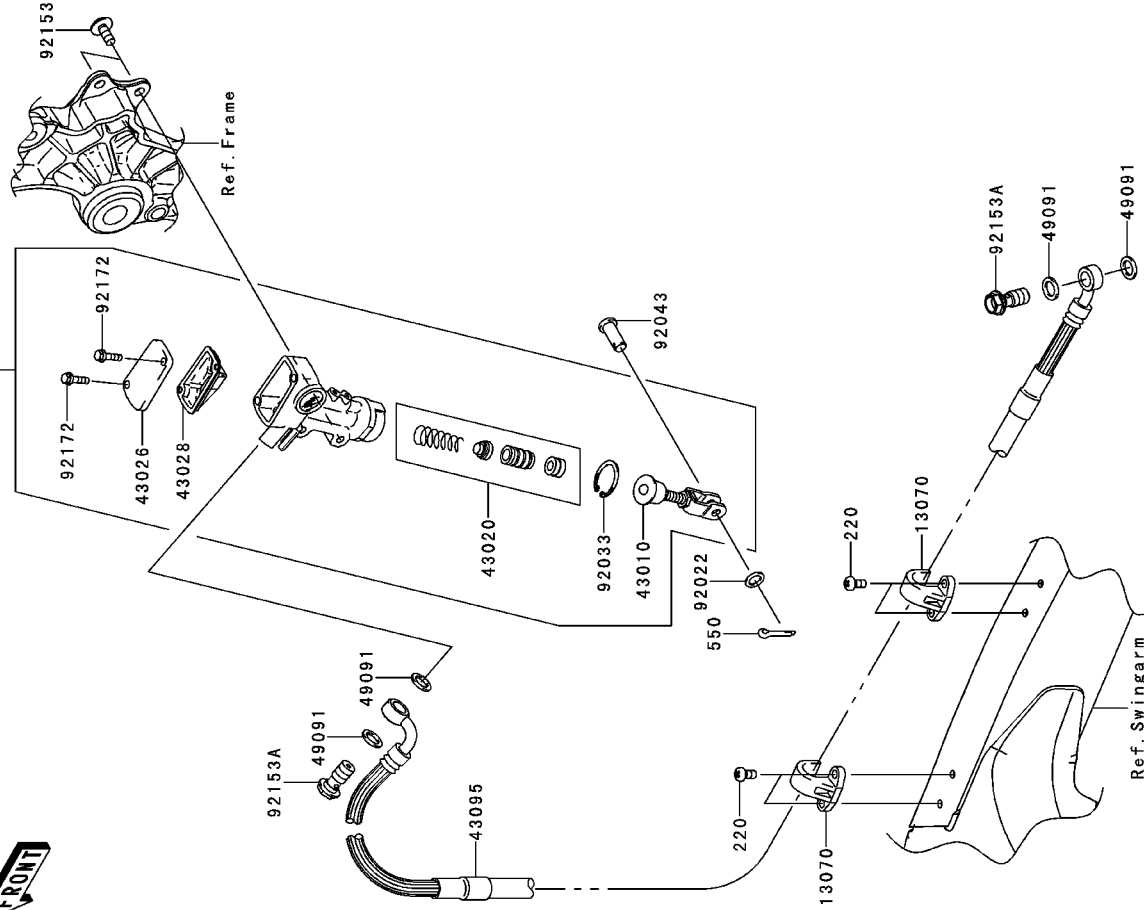
Ref. No.	Part No.	Description	Spec Code	Quantity-KX250		
				'13	'14	ZDF ZEF
14079	14079-0043	HOLDER-ASSY,FRONT CALIPER		1	1	
32085	32085-1361	STOPPER,PAD		1	1	
41080	41080-0192	DISC,FR		1	1	
41080A	41080-0193	DISC,FR		1	1	
43048	43048-1093	PISTON-CALIPER		2	2	
43049	43049-1060	PACKING,PISTON SEAL		2	2	
43049A	43049-1061	PACKING,PISTON SEAL		2	2	
43056	43056-1055	BREATHER		1	1	
43057	43057-1001	CAP-BREATHER		1	1	
43080	43080-0081	CALIPER-SUB-ASSY,FR		1	1	
43082	43082-0132	PAD-ASSY-BRAKE		1	1	
49006	49006-1088	BOOT,CALIPER		1	1	
49006A	49006-1242	BOOT,CALIPER		1	1	
92144	92144-1721	SPRING,PAD		1	1	
92150	92150-1691	BOLT,HANGER		1	1	
92151	92151-1799	BOLT,DISC PLATE,6MM		4	4	
120	120CA0840	BOLT-SOCKET,8X40		2	2	

This catalog covers:

'13~'14 KX250 ZDF/ZEF Chassis



F2293



GRID NO. This grid covers:

F-6 Rear Master Cylinder

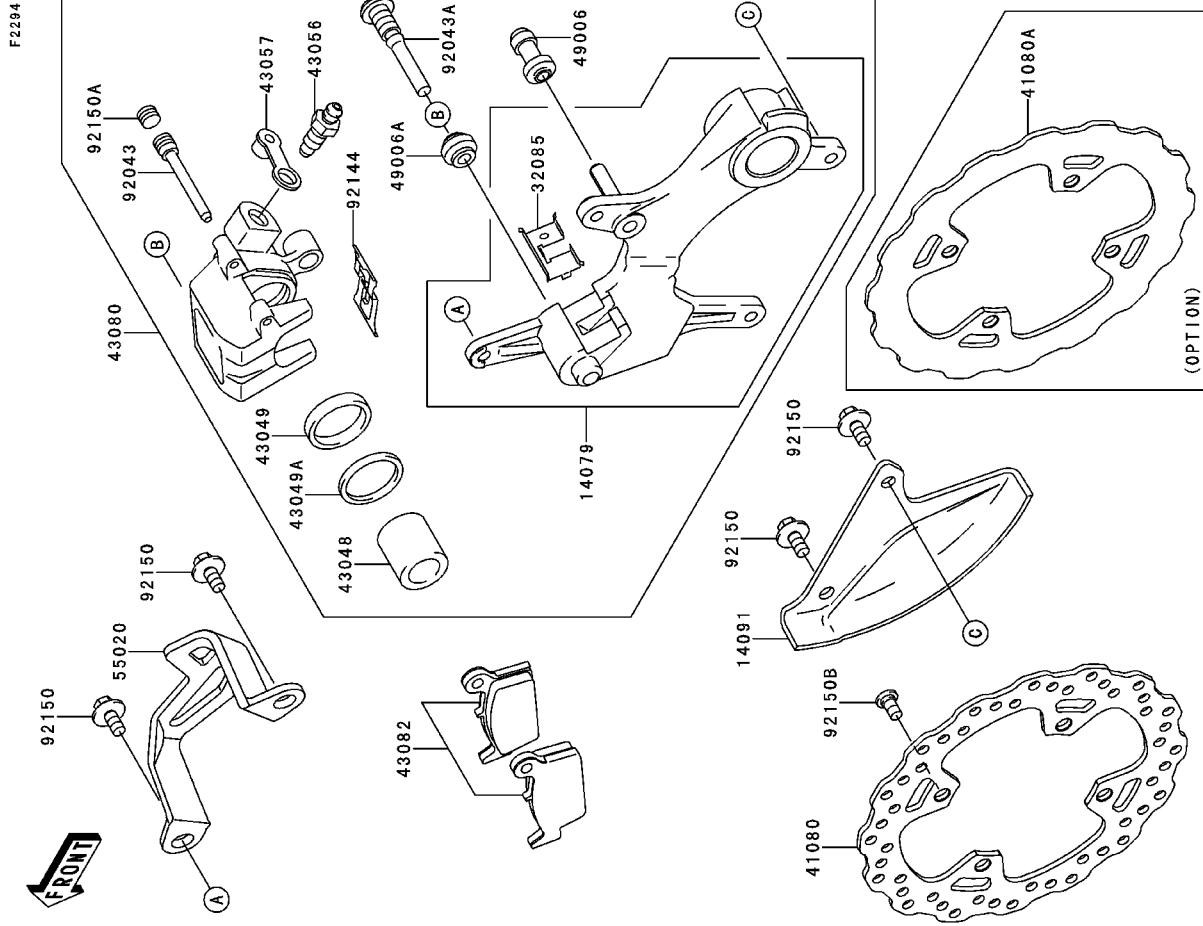
Ref. No.	Part No.	Description	Spec Code	Quantity-KX250		
				'13	'14	
			ZDF	ZEF		
13070	13070-0048	GUIDE BRAKE HOSE			2	2
43010	43010-1087	ROD-ASSY-BRAKE			1	1
43015	43015-0168	CYLINDER-ASSY-MASTER			1	1
43020	43020-1094	PISTON-COMP-BRAKE			1	1
43026	43026-0023	CAP-BRAKE			1	1
43028	43028-1092	DIAPHRAGM			1	1
43095	43095-0617	HOSE-BRAKE,L=555			1	1
49091	49091-0001	WASHER-SEAL,10.1X14.5X1.5			4	4
92022	92022-1028	WASHER 8.5X13X1			1	1
92033	92033-0079	RING-SNAP,20.9X24.6X1.2			1	1
92043	92043-0004	PIN			1	1
92153	92153-1021	BOLT, SOCKET,6X14			2	2
92153A	92153-1419	BOLT,OIL,L=23			2	2
92172	92172-1064	SCREW			2	2
220	220AA0510	SCREW-PAN-CROS,5X10			4	4
550	550AA2015	PIN-COTTER,2.0X15			1	1

This catalog covers:

'13~'14 KX250 ZDF/ZEF Chassis

GRID NO. This grid covers:

F-7 Rear Brake



Ref. No.	Part No.	Description	Spec Code	Quantity-KX250		
				'13	'14	ZDF ZEF
14079	14079-0022	HOLDER-ASSY,REAR CALIPER		1	1	
14091	14091-1523-6C	COVER,REAR DISC,EBONY		1	1	
32085	32085-1386	STOPPER,PAD		1	1	
41080	41080-0076	DISC,RR		1	1	
41080A	41080-0094 (OPTION)	DISC,RR		1	1	
43048	43048-1066	PISTON-CALIPER		1	1	
43049	43049-1063	PACKING		1	1	
43049A	43049-1064	PACKING		1	1	
43056	43056-1055	BREATHER		1	1	
43057	43057-1001	CAP-BREATHER		1	1	
43080	43080-0037	CALIPER-SUB-ASSY,RR		1	1	
43082	43082-0107	PAD-ASSY-BRAKE		1	1	
49006	49006-1088	BOOT,CALIPER		1	1	
49006A	49006-1242	BOOT,CALIPER		1	1	
55020	55020-0458-6C	GUARD,REAR CALIPER,EBONY		1	1	
92043	92043-1507	PIN,HANGER		1	1	
92043A	92043-1508	PIN		1	1	
92144	92144-1819	SPRING,PAD		1	1	
92150	92150-1340	BOLT,6X14		4	4	
92150A	92150-1692	BOLT,PLUG		1	1	
92150B	92150-1811	BOLT,DISC PLATE,8X15		4	4	

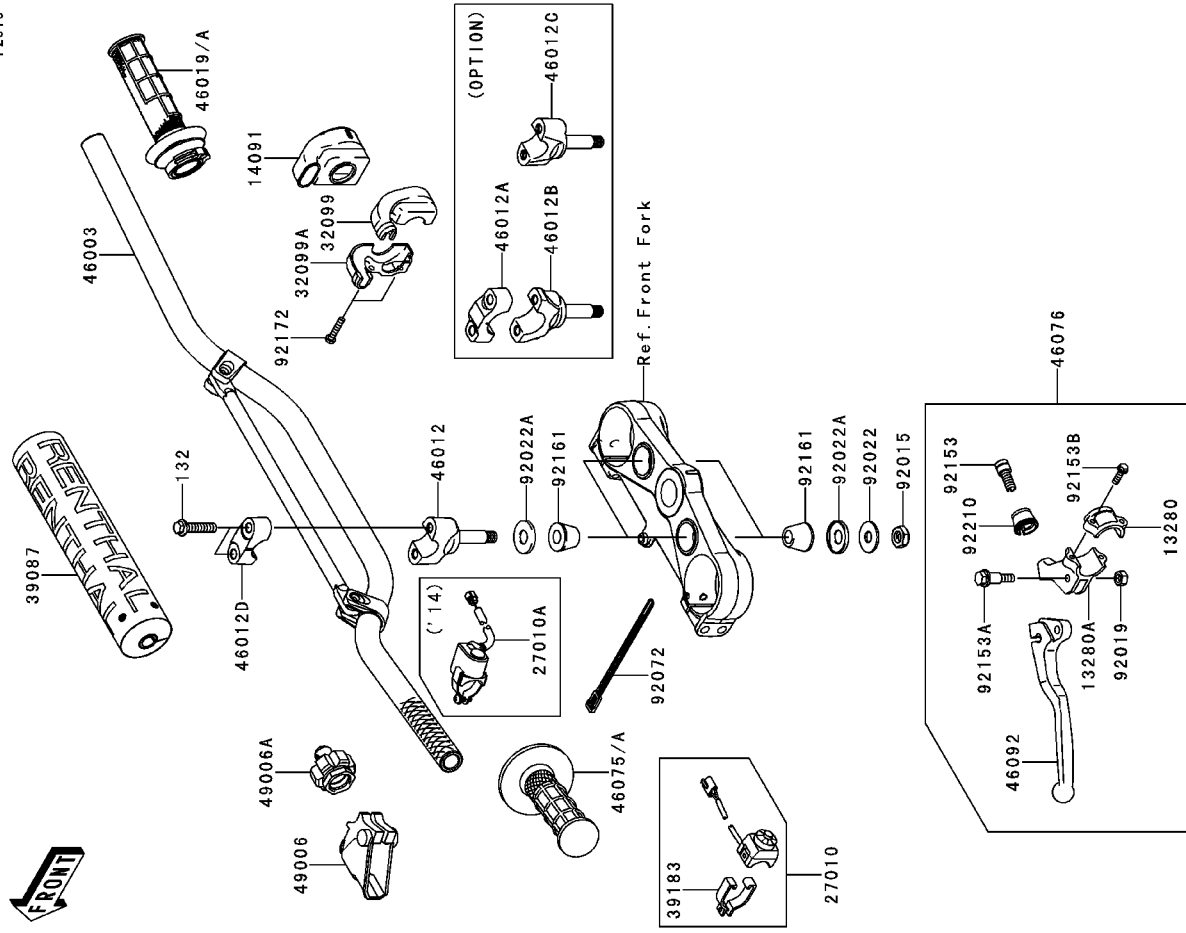
This catalog covers:

'13~'14 KX250 ZDF/ZEF Chassis

GRID NO. This grid covers:

F-8 Handlebar

F2310



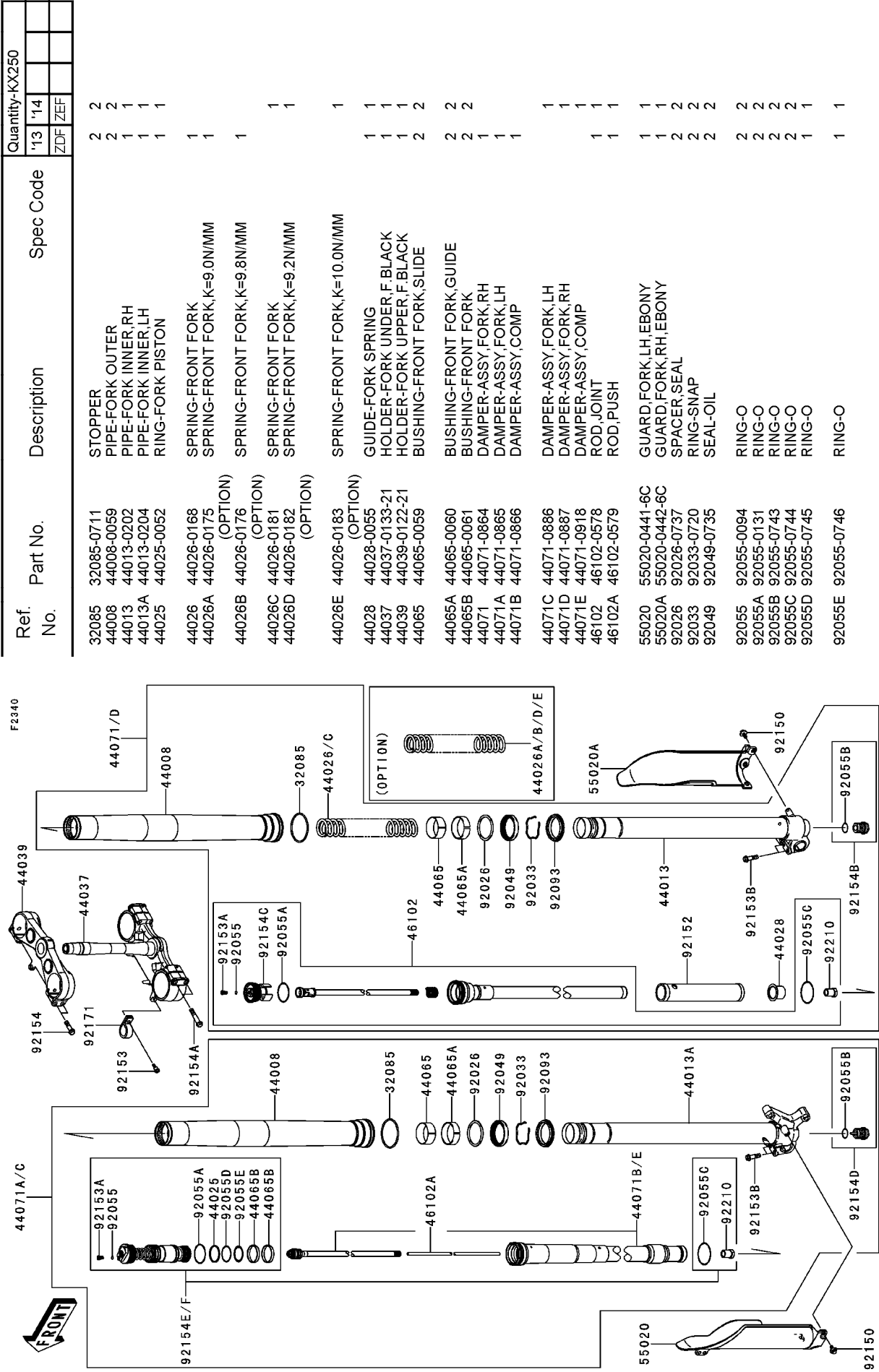
Ref. No.	Part No.	Description	Spec Code	Quantity-KX250		
				'13	'14	ZDF ZEF
13280	13280-0055	HOLDER		1	1	
13280A	13280-0118	HOLDER,CLUTCH LEVER		1	1	
14091	14091-0182	COVER,THROTTLE CASE		1	1	
27010	27010-0047	SWITCH,ENGINE STOP		1	1	
27010A	27010-0725	SWITCH		1	1	
32099	32099-0002	CASE,THROTTLE,RR		1	1	
32099A	32099-0003	CASE,THROTTLE,FR		1	1	
39087	39087-0004	PAD-HANDLE		1	1	
39183	39183-1059	BAND-ASSY,ENGINE STOP SWITCH		1	1	
46003	46003-0572	HANDLE,RENTHAL,K971		1	1	
46012	46012-0013-21	HOLDER-HANDLE,LWR,F.BLACK		2	2	
46012A	46012-0020-21	HOLDER-HANDLE,UPP,FAT BAR,BLK		2	2	
46012B	46012-0021-21	HOLDER-HANDLE,LWR,FAT BAR,BLK		2	2	
46012C	46012-0048-21	HOLDER-HANDLE,LWR,F.BLACK		2	2	
46012D	46012-0324-21	HOLDER-HANDLE,UPP,F.BLACK		2	2	
46019	46019-0041	GRIP-ASSY,THROTTLE		1	1	
46019A	46019-0042	GRIP-ASSY,THROTTLE		1	1	
46075	46075-0072	GRIP,LH		1	1	
46075A	46075-0082	GRIP,LH		1	1	
46076	46076-0019	LEVER-ASSY-GRIP,CLUTCH		1	1	
46092	46092-0007	LEVER-GRIP,CLUTCH		1	1	
49006	49006-0030	BOOT,CLUTCH LEVER		1	1	
49006A	49006-0060	BOOT,CLUTCH CABLE		1	1	
92015	92015-1962	NUT,LOCK,10MM		2	2	
92019	92019-008	NUT,LOCK,6MM		1	1	
92022	92022-1088	WASHER,10.2X28X2		2	2	
92022A	92022-1737	WASHER		4	4	
92072	92072-1293	BAND,L=140		1	1	
92153	92153-0773	BOLT,BOLT ADJUSTING		1	1	
92153A	92153-0807	BOLT		1	1	
92153B	92153-0808	BOLT,5X16		2	2	
92161	92161-0113	DAMPER,HANDLE HOLDER		4	4	
92172	92172-0069	SCREW,5X20		2	2	
92210	92210-0167	NUT,BOLT WIRE ADJUSTING		1	1	
132	132BA0835	BOLT-FLANGED-SMALL,8X35		4	4	

This catalog covers:

'13~'14 KX250 ZDF/ZEF Chassis

GRID NO. This grid covers:

F-9 Front Fork(1/2)



Ref. No.	Part No.	Description	Spec Code	Quantity-KX250		
				'13	'14	ZDF ZEF
32085	32085-0711	STOPPER		2	2	
44008	44008-0059	PIPE-FORK OUTER		2	2	
44013	44013-0202	PIPE-FORK INNER,RH		1	1	
44013A	44013-0204	PIPE-FORK INNER,LH		1	1	
44025	44025-0052	RING-FORK PISTON		1	1	
44026	44026-0168	SPRING-FRONT FORK		1	1	
44026A	44026-0175 (OPTION)	SPRING-FRONT FORK,K=9.0N/MM		1	1	
44026B	44026-0176 (OPTION)	SPRING-FRONT FORK,K=9.8N/MM		1	1	
44026C	44026-0181	SPRING-FRONT FORK		1	1	
44026D	44026-0182 (OPTION)	SPRING-FRONT FORK,K=9.2N/MM		1	1	
44026E	44026-0183 (OPTION)	SPRING-FRONT FORK,K=10.0N/MM		1	1	
44028	44028-0055	GUIDE-FORK SPRING		1	1	
44037	44037-0133-21	HOLDER-FORK UNDER,F,BLACK		1	1	
44039	44039-0122-21	HOLDER-FORK UPPER,F,BLACK		1	1	
44065	44065-0059	BUSHING-FRONT FORK,SLIDE		2	2	
44065A	44065-0060	BUSHING-FRONT FORK,GUIDE		2	2	
44065B	44065-0061	BUSHING-FRONT FORK		2	2	
44071	44071-0854	DAMPER-ASSY,FORK,RH		1	1	
44071A	44071-0865	DAMPER-ASSY,FORK,LH		1	1	
44071B	44071-0866	DAMPER-ASSY,COMP		1	1	
44071C	44071-0886	DAMPER-ASSY,FORK,LH		1	1	
44071D	44071-0887	DAMPER-ASSY,FORK,RH		1	1	
44071E	44071-0918	DAMPER-ASSY,COMP		1	1	
46102	46102-0578	ROD,JOINT		1	1	
46102A	46102-0579	ROD,PUSH		1	1	
55020	55020-0441-6C	GUARD,FORK,LH,EBONY		1	1	
55020A	55020-0442-6C	GUARD,FORK,RH,EBONY		1	1	
92026	92026-0737	SPACER,SEAL		2	2	
92033	92033-0720	RING-SNAP		2	2	
92049	92049-0735	SEAL-OIL		2	2	
92055	92055-0094	RING-O		2	2	
92055A	92055-0131	RING-O		2	2	
92055B	92055-0743	RING-O		2	2	
92055C	92055-0744	RING-O		2	2	
92055D	92055-0745	RING-O		1	1	
92055E	92055-0746	RING-O		1	1	

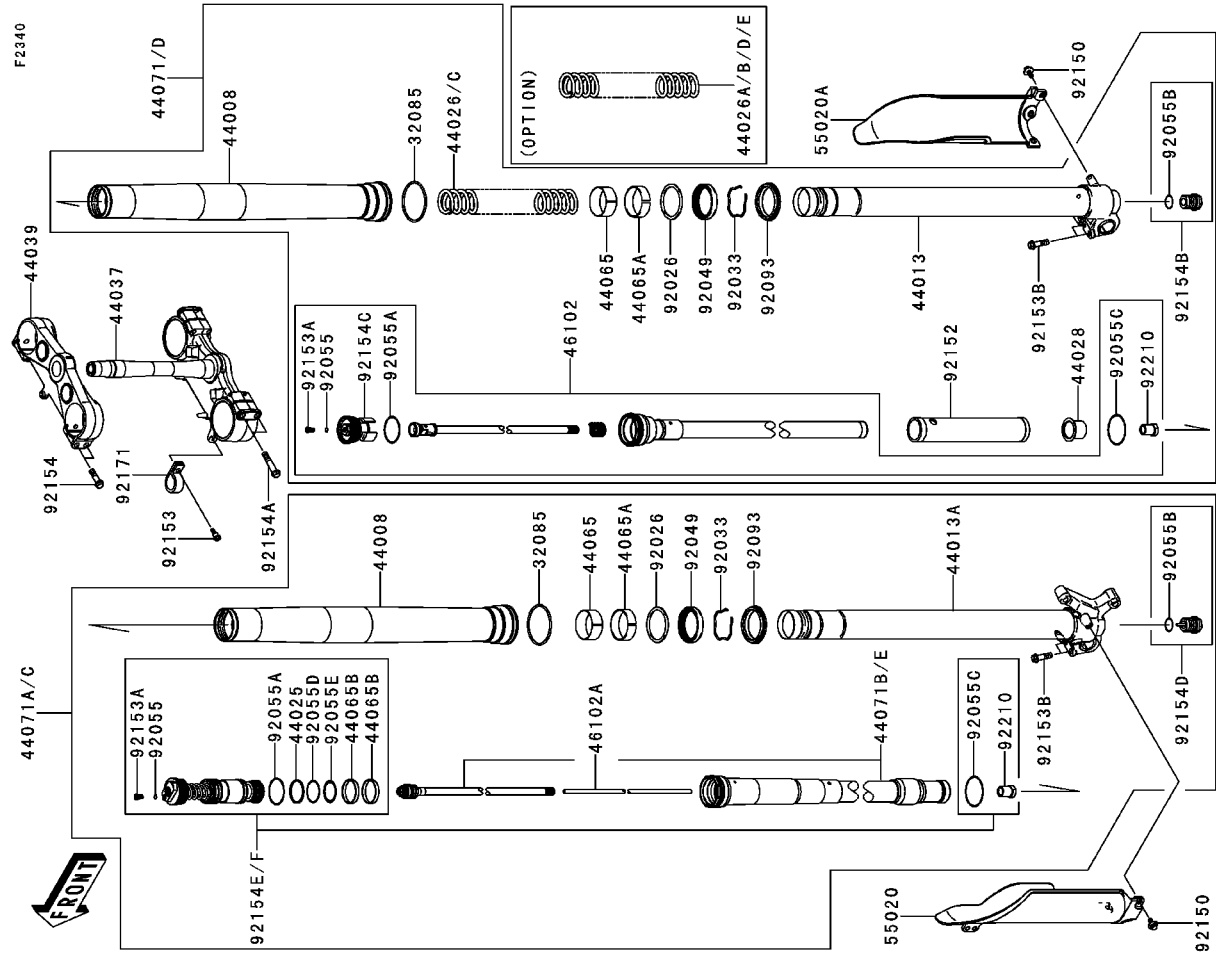
This catalog covers:

'13~'14 KX250 ZDF/ZEF Chassis

GRID NO. This grid covers:

F-10 Front Fork(2/2)

Ref. No.	Part No.	Description	Spec Code	Quantity-KX250		
				'13	'14	ZDF ZEF
92093	92093-0584	SEAL,DUST		2		
92150	92150-1340	BOLT,6X14		6		
92152	92152-1652	COLLAR		1		
92153	92153-1397	BOLT,FLANGED		1		
92153A	92153-1398	BOLT,PLUG		2		
92153B	92153-1399	BOLT,FLANGED,8X40		4		
92154	92154-0463	BOLT		4		
92154A	92154-0484	BOLT		4		
92154B	92154-1057	BOLT,CENTER,RH		1		
92154C	92154-1058	BOLT,ADJ. COMP		1		
92154D	92154-1059	BOLT,CENTER,LH		1		
92154E	92154-1128	BOLT,FORK		1		
92154F	92154-1315	BOLT,FORK		1		
92171	92171-0506	CLAMP,BRAKE HOSE		1		
92210	92210-0430	NUT,LOCK		2		



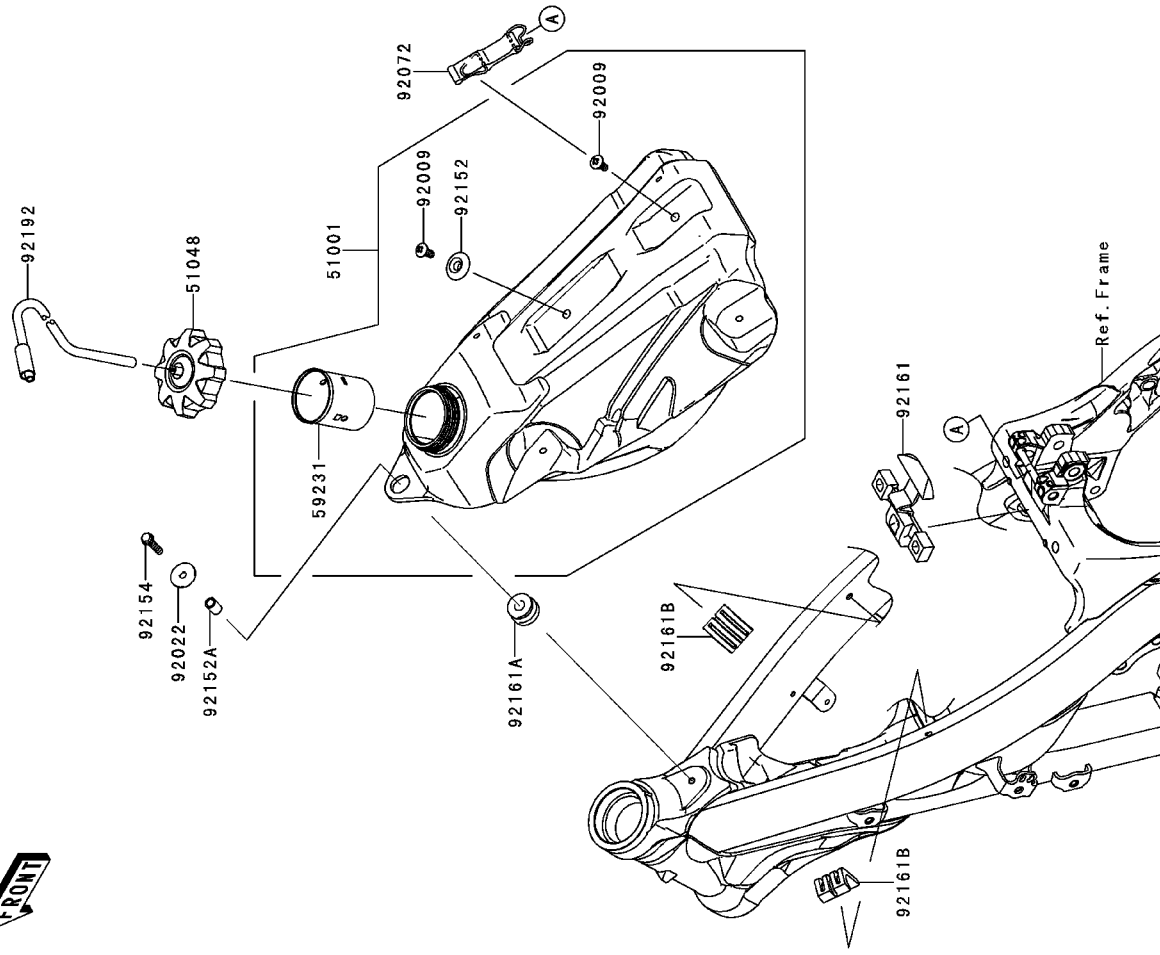
This catalog covers:

'13~'14 KX250 ZDF/ZEF Chassis

GRID NO. This grid covers:

F-11 Fuel Tank

F2410



Ref. No.	Part No.	Description	Spec Code	Quantity-KX250		
				'13	'14	ZDF ZEF
51001	51001-0735	TANK-COMP-FUEL		1		
51048	51048-0031	CAP-ASSY-TANK,FUEL		1		
59231	59231-0042	FILLER		1		
92009	92009-1971	SCREW,6MM		2	2	
92022	92022-1690	WASHER,6.5X24X2		1	1	
92072	92072-0045	BAND,FUEL TANK		1	1	
92152	92152-0569	COLLAR		1	1	
92152A	92152-1552	COLLAR,6.8X10X16		1	1	
92154	92154-0520	BOLT,FLANGED,6X25		1	1	
92161	92161-1377	DAMPER,FUEL TANK,RR		1	1	
92161A	92161-1392	DAMPER,FUEL TANK,FR		1	1	
92161B	92161-1393	DAMPER,FUEL TANK,SIDE		2	2	
92192	92192-0161	TUBE		1	1	

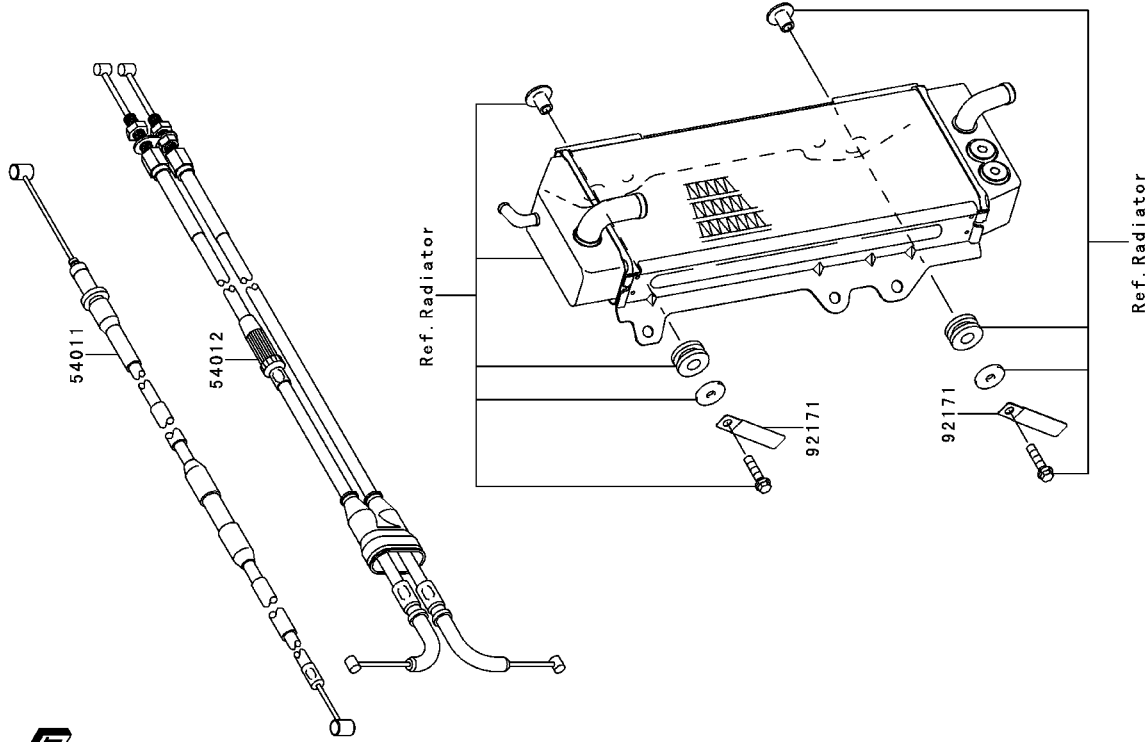
This catalog covers:

'13~'14 KX250 ZDF/ZEF Chassis

GRID NO. This grid covers:

F-12 Cables

F2540



Ref. No.	Part No.	Description	Spec Code	Quantity-KX250		
				'13	'14	
54011	54011-0569	CABLE-CLUTCH			1	1
54012	54012-0591	CABLE-THROTTLE			1	1
92171	92171-0652	CLAMP	ZDF	ZEF	2	2

This catalog covers:

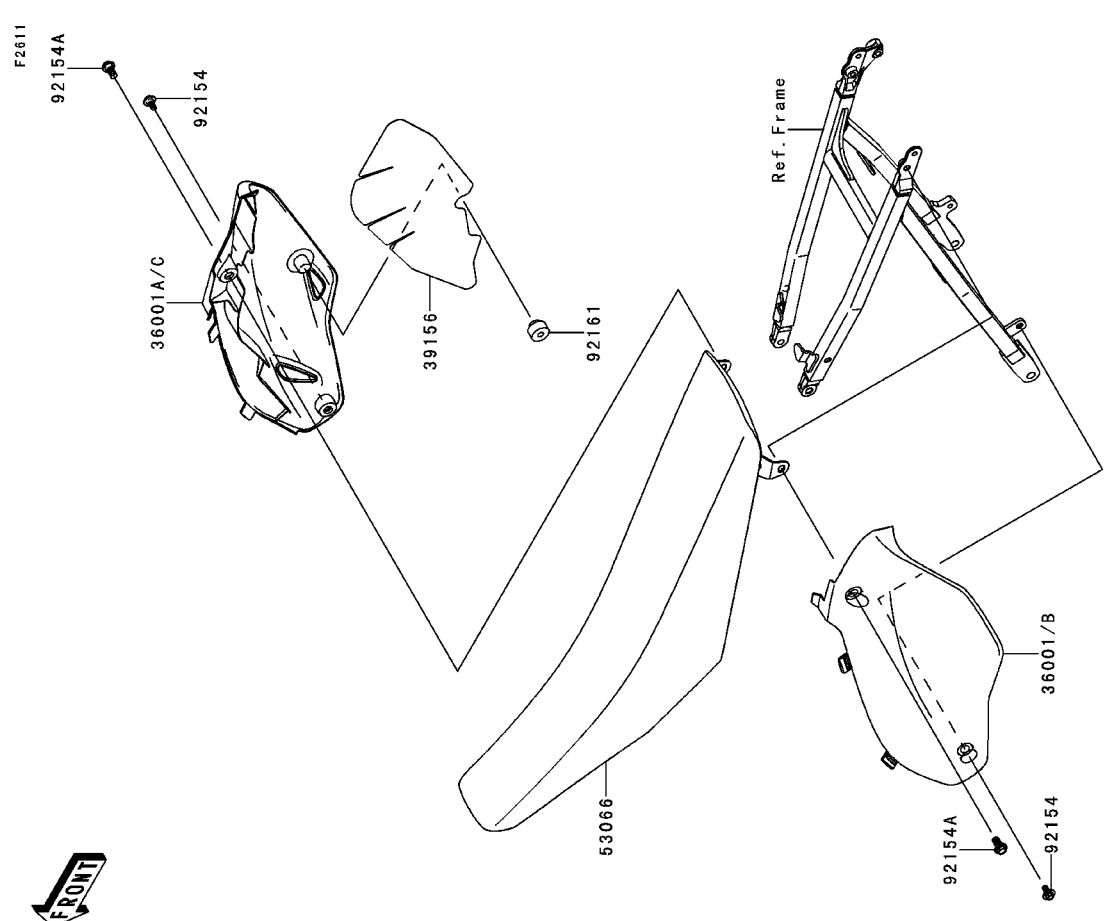
'13~'14 KX250 ZDF/ZEF Chassis



GRID NO. This grid covers:

F-13 Side Covers

Ref. No.	Part No.	Description	Spec Code	Quantity-KX250		
				'13	'14	
			ZDF	ZEF		
36001	36001-0220-6C	COVER-SIDE,LH,EBONY			1	
36001A	36001-0222-6C	COVER-SIDE,RH,EBONY			1	
36001B	36001-0598-266	COVER-SIDE,LH,B.WHITE			1	
36001C	36001-0600-266	COVER-SIDE,RH,B.WHITE			1	
39156	39156-0677	PAD,SIDE COVER,RH			1	
53066	53066-0357-336	SEAT-ASSY,GREEN/BLACK			1	
92154	92154-0546	BOLT,FLANGED,6X9			2	
92154A	92154-0547	BOLT,FLANGED,8X16			2	
92161	92161-0073	DAMPER			1	



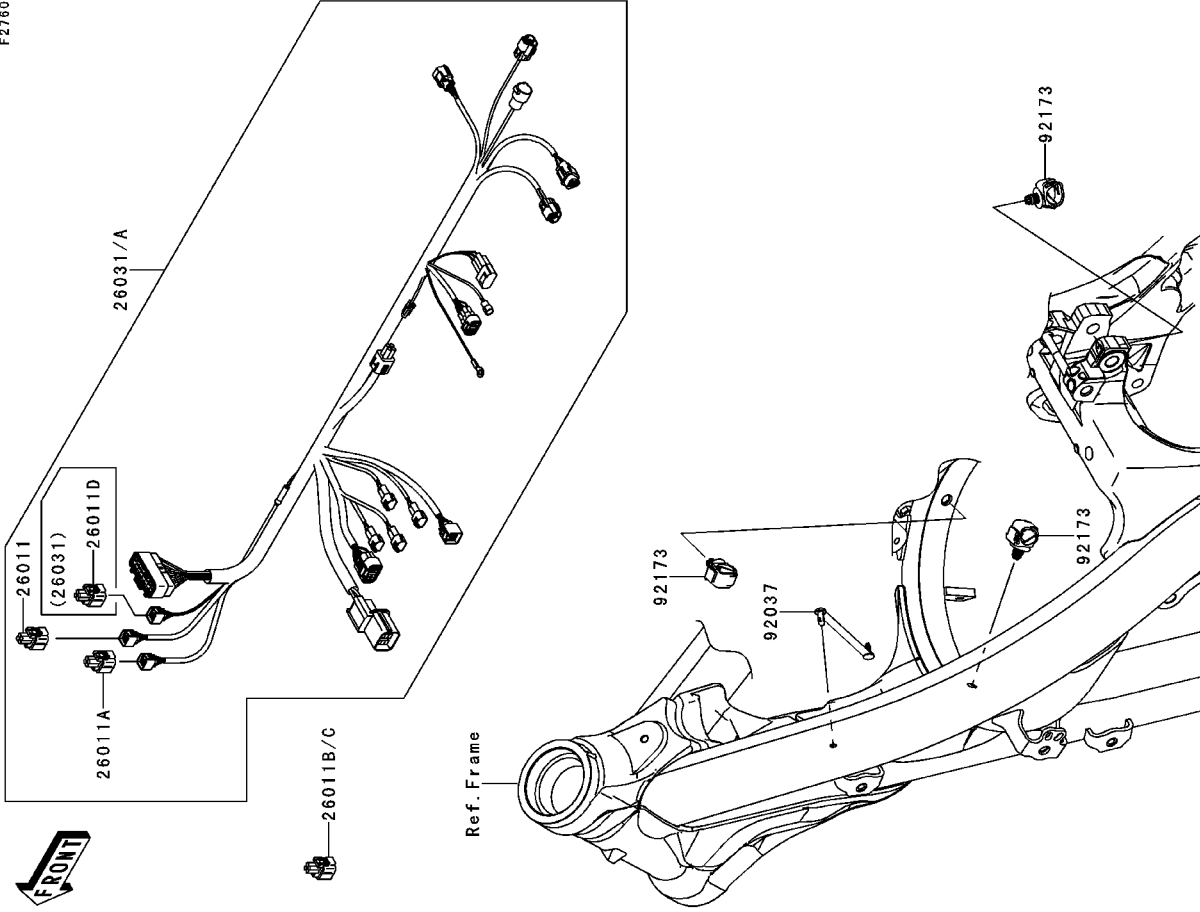
This catalog covers:

'13~'14 KX250 ZDF/ZEF Chassis

GRID NO. This grid covers:

F-14 Chassis Electrical Equipment

F2760



Ref. No.	Part No.	Description	Spec Code	Quantity-KX250		
				'13	'14	ZDF ZEF
26011	26011-0273	WIRE-LEAD NATURAL		1	1	
26011A	26011-0727	WIRE-LEAD, GREEN		1	1	
26011B	26011-0728	WIRE-LEAD, MODE SELECT, BLACK		1	1	
26011C	26011-0748	WIRE-LEAD, MODE SELECT, WHITE		1	1	
26011D	26011-0793	WIRE-LEAD, BLACK		1	1	
26031	26031-1299	HARNES, MAIN		1	1	
26031A	26031-1558	HARNES, MAIN		1	1	
92037	92037-1903	CLAMP, SPEED, L=80.5		1	1	
92173	92173-0861	CLAMP		3	3	

This catalog covers:

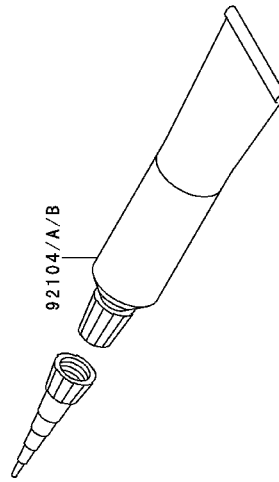
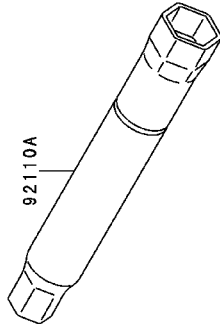
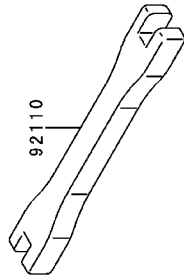
'13~'14 KX250 ZDF/ZEF Chassis

GRID NO. This grid covers:

G-3 Owner's Tools

F2810

Ref. No.	Part No.	Description	Spec Code	Quantity-KX250		
				'13	'14	
92104	92104-0004	GASKET-LIQUID,TB1211F,CLEAR		1	1	
92104A	92104-1063	GASKET-LIQUID,TB1216,GRAY		1	1	
92104B	92104-1064	GASKET-LIQUID,TB1216B,BLACK		1	1	
92110	92110-0004	TOOL-WRENCH,NIPPLE,6X8		1	1	
92110A	92110-0005	TOOL-WRENCH,BOX,16MM		1	1	



This catalog covers:

'13~'14 KX250 ZDF/ZEF Chassis

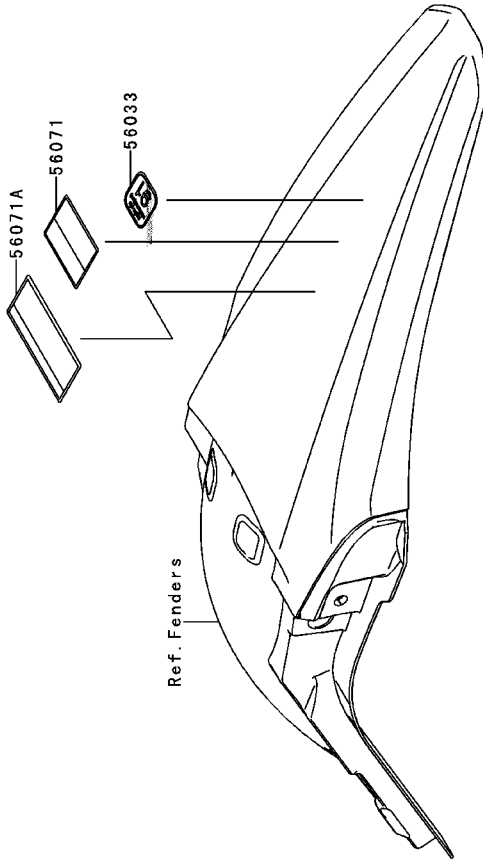


GRID NO. This grid covers:

G-4 Labels

F2860

Ref. No.	Part No.	Description	Spec Code	Quantity-KX250		
				'13	'14	
56033	56033-0306	LABEL-MANUAL GASOHOL_91(E10)			1	1
56071	56071-0023	LABEL-WARNING HELMET			1	1
56071A	56071-0367	LABEL-WARNING IMPORTANT INFO.			1	1



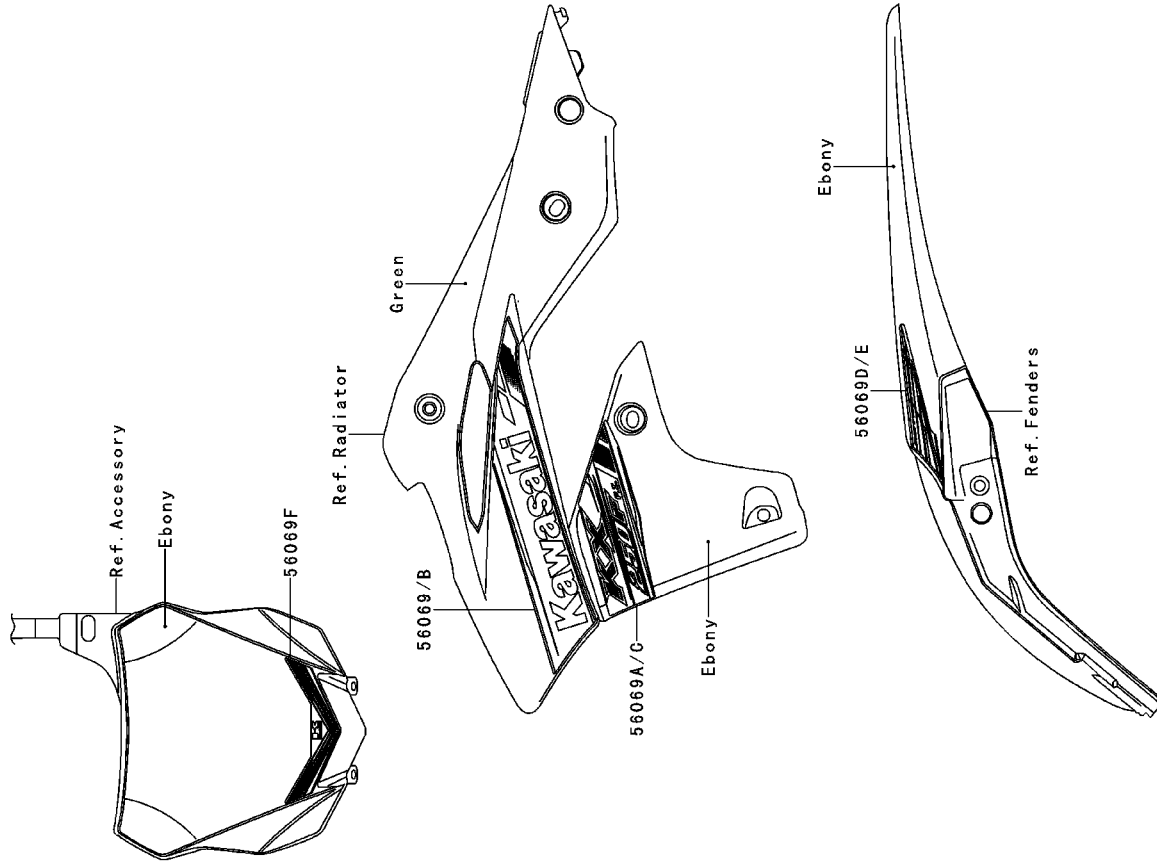
This catalog covers:

'13~'14 KX250 ZDF/ZEF Chassis

GRID NO. This grid covers:

G-5 Decals(ZDF)

F2861



Ref. No.	Part No.	Description	Spec Code	Quantity-KX250		
				'13	'14	
			ZDF	ZEF		

56069	56069-2431	PATTERN,SHROUD,UPP,LH			1
56069A	56069-2432	PATTERN,SHROUD,LWR,LH			1
56069B	56069-2433	PATTERN,SHROUD,UPP,RH			1
56069C	56069-2434	PATTERN,SHROUD,LWR,RH			1
56069D	56069-2435	PATTERN,RR FENDER,LH			1
56069E	56069-2436	PATTERN,RR FENDER,RH			1
56069F	56069-2437	PATTERN,NUMBER PLATE			1

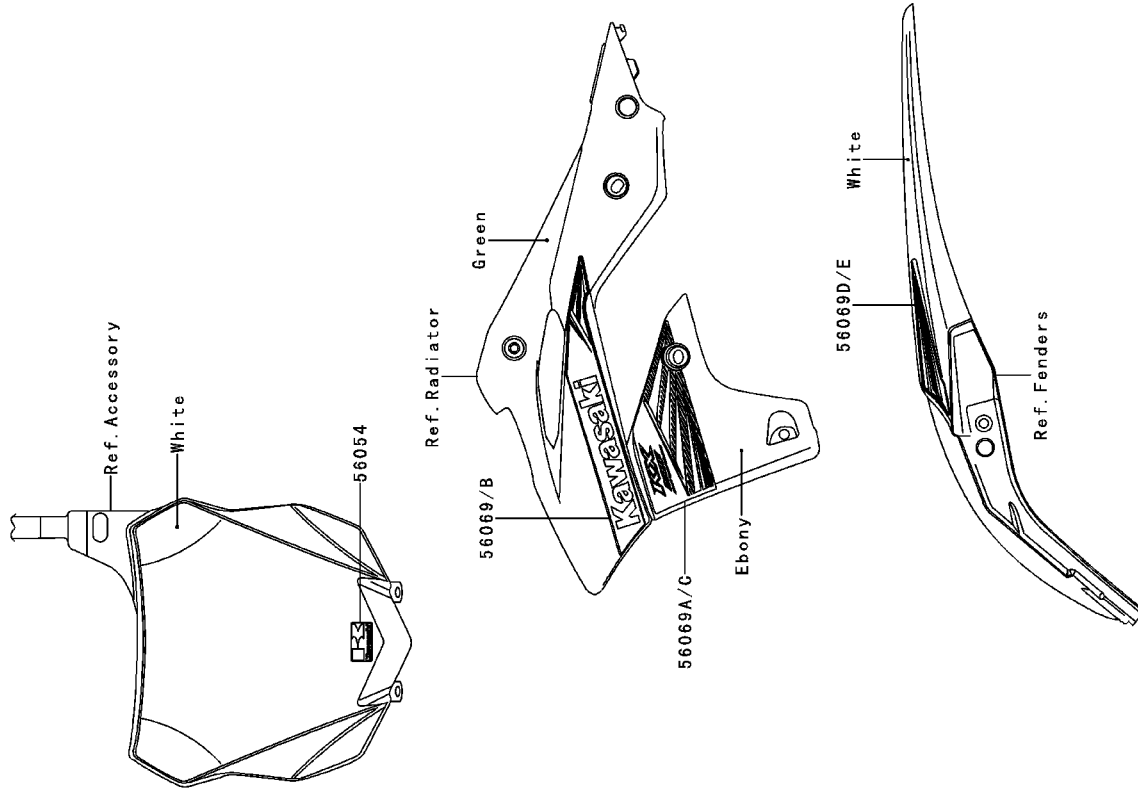
This catalog covers:

'13~'14 KX250 ZDF/ZEF Chassis

GRID NO. This grid covers:

G-6 Decals(ZEF)

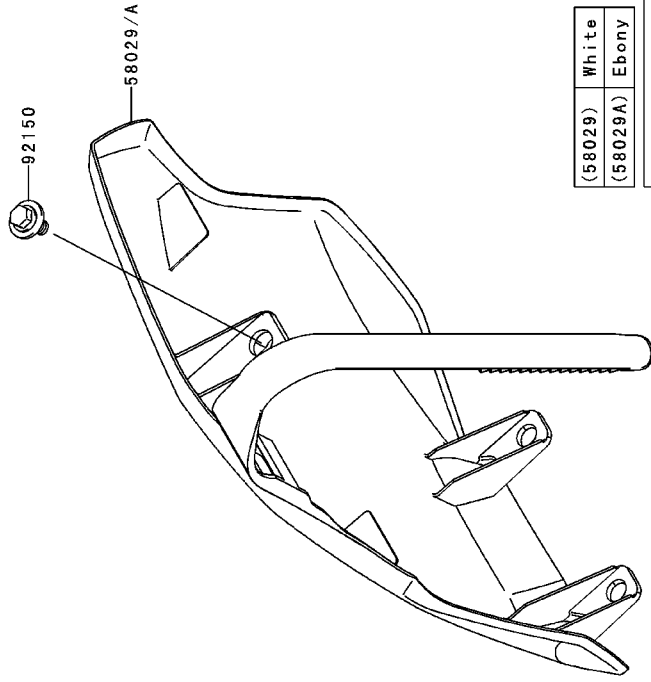
F2861A



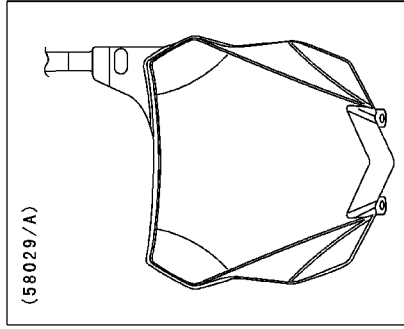
Ref. No.	Part No.	Description	Spec Code	Quantity-KX250		
				'13	'14	ZDF ZEF
56054	56054-1282	MARK NUMBER PLATE			1	
56069	56069-4006	PATTERN,SHROUD,UPP,LH			1	
56069A	56069-4007	PATTERN,SHROUD,LWR,LH			1	
56069B	56069-4008	PATTERN,SHROUD,UPP,RH			1	
56069C	56069-4009	PATTERN,SHROUD,LWR,RH			1	
56069D	56069-4010	PATTERN,RR FENDER,LH			1	
56069E	56069-4011	PATTERN,RR FENDER,RH			1	

This catalog covers:

'13~'14 KX250 ZDF/ZEF Chassis



(58029)	White
(58029A)	Ebony



GRID NO. This grid covers:

G-7 Accessory

F2910

Ref. No.	Part No.	Description	Spec Code	Quantity-KX250	
				'13	'14
58029	58029-0056-266	PLATE-NUMBER.B.WHITE			1
58029A	58029-0056-6C	PLATE-NUMBER.EBONY			1
92150	92150-1435	BOLT,6X12	ZDF	ZEF	1

This catalog covers:

'13~'14 KX250 ZDF/ZE

GRID NO. This grid covers:

L-14 Numerical Parts Index

Part No.	Grid No.	Part No.	Grid No.	Part No.	Grid No.	Part No.	Grid No.	Part No.	Grid No.	Part No.	Grid No.
11004-0079	B-3	13035-0022	B-11	13262-0776	B-14	14013-0001	B-10	220AA0510	F-6	39007-0361	E-7
11005-0613	B-5	13037-0155	B-11	13262-0839	B-14	14013-0002	B-10	225AA0510	C-6	39061-0168	D-3
11008-0750	B-3	13037-0732	B-11	13262-0839	C-3	14026-0090	C-7	26011-0246	C-10	39061-0190	D-3
11011-0757-6C	B-6	13061-0357	B-12	13262-0840	B-14	14031-0569	C-7	26011-0273	F-14	39062-0258	D-3
11013-0722	B-6	13064-0067	B-12	13262-0841	B-14	14032-0136	C-7	26011-0727	F-14	39062-0292	D-3
11055-1540	E-5	13066-0004	B-12	13262-0842	B-14	14032-0567	C-7	26011-0728	F-14	39062-0293	D-3
11055-1541	E-5	13070-0011	B-12	13262-0930	C-3	14037-0744-6C	D-3	26011-0748	F-14	39062-0294	D-3
11056-0070	E-5	13070-0048	F-6	13262-0931	C-3	14037-0745-6C	D-3	26011-0793	F-14	39062-0295	D-3
11056-0624	E-5	13070-0057	F-3	13262-0932	C-3	14073-0756	B-6	26031-1299	F-14	39062-1348	D-3
11056-0961	E-5	13078-0029	C-5	13262-0933	C-3	14079-0022	F-7	26031-1558	F-14	39087-0004	F-8
11056-1513	C-12	13078-0559	B-12	13262-0934	C-3	14079-0043	F-5	27010-0047	F-8	39111-0309	E-7
11056-1657	E-5	13087-0017	B-13	13262-0935	C-3	14091-0182	F-8	27010-0725	C-10	39115-0007	C-11
11061-0027	B-7	13088-0018	B-13	13262-0936	C-3	14091-1523-6C	F-7	27010-0725	F-8	39115-0565	B-12
11061-0350	B-4	13089-0005	B-13	13262-0937	C-3	14091-1629	B-4	290CA0808	B-12	39156-0677	F-13
11061-0357	B-5	13095-0121	B-13	13271-0730	B-6	14091-1815	C-8	31064-0607	B-7	39183-1059	F-8
11061-0361	C-7	13097-0117	B-11	13271-0808	B-8	16007-0002	C-5	311BA0600	C-5	39192-0037	C-14
11061-0362	C-7	130BA0512	B-6	13271-0858	F-3	16007-0029	B-8	32054-0049	E-8	41009-0531	E-11
11061-0434	B-7	130CD0514	C-14	13272-0438	C-5	16016-0025	C-8	32054-0050	E-8	41009-0532	E-11
11061-0778	C-7	13102-0034	B-13	13272-0488	C-6	16085-0074	B-3	32085-0011	C-6	41022-0022	E-11
11065-0087	C-14	13107-0196	C-14	13272-0670	C-6	16073-0129	C-8	32085-0077	F-3	41022-1129	E-11
11065-0340	F-3	13116-0037	B-13	13272-1169	E-6	16073-3707	C-8	32085-0711	F-9	41023-1009	E-11
11065-0786	E-12	13116-0043	F-4	13280-0055	F-8	16142-0003	C-11	32085-1361	F-5	41023-1081	E-11
11065-1253	E-13	13127-0064	B-14	13280-0118	F-8	16142-0020	C-14	32085-1386	F-7	41024-010	E-11
12004-0033	B-8	13127-0064	C-3	13280-0170	B-6	16154-0090	C-11	32099-0002	F-8	41024-011	E-11
12005-0002	B-8	13128-0046	B-14	13280-0339	B-13	16154-0093	C-11	32099-0003	F-8	41025-0146-WC	E-11
12009-0010	B-8	13128-0669	C-3	13280-0751	B-6	16163-0767	C-8	32099-0051	C-11	41025-0147-WC	E-11
12009-1073	B-8	13140-0056	C-4	13280A0608	C-14	16163-0797	C-8	32155-0112	C-8	41025-0339-WC	E-11
12011-1053	C-6	13140-0057	C-4	132BA0610	C-12	172BA0610	C-5	32160-0543	E-3	41025-0344-WC	E-11
12022-0006	C-6	13141-0570	C-4	132BA0610	E-5	18046-0231	B-7	32160-0628	E-3	41029-0003	E-11
12032-0005	B-8	13141-0575	C-4	132BA0610	E-6	18046-0579	B-7	32160-0706	E-3	41029-1204	E-11
12032-0006	B-8	13144-0036	B-14	132BA0612	B-10	18088-0831	B-7	32190-0461	E-4	41029-1330	E-11
12048-0056	B-10	13144-0036	C-3	132BA0612	C-14	18100-0559	B-7	32190-0478	E-4	41032-0002	E-11
12053-0009	B-10	13144-0064	B-14	132BA0614	C-14	21003-0102	C-12	32190-0607	E-4	41032-1077	E-11
12053-0010	B-10	13144-0064	C-3	132BA0614	E-5	21003-0147	C-12	32190-0655	E-4	41032-1085	E-11
12053-0017	B-10	13145-0031	C-4	132BA0614	E-9	21007-0155	C-12	33001-0594	E-6	41032-1086	E-11
12053-0125	E-6	13151-0560	C-5	132BA0616	F-4	21007-0164	C-12	33032-0012	E-6	41034-0034	E-12
12053-0129	C-7	13156-0124	C-5	132BA0625	E-5	21007-0165	C-12	33040-0020	E-6	41034-0057	E-13
12053-0130	C-7	13161-0077	C-5	132BA0630	C-7	21007-0593	C-12	33040-0075	E-6	41068-0004	E-12
12053-0192	E-6	13165-0018	C-5	132BA0635	C-7	21013-0001	C-12	34024-0074	E-10	41068-1466	E-13
120CA0625	B-3	13187-1089	B-13	132BA0650	C-6	21066-0721	C-12	34028-0104	E-8	41080-0076	F-7
120CA0625	B-5	13206-0008	B-12	132BA0660	C-6	21118-0004	B-10	34028-0105	E-8	41080-0094	F-7
120CA0630	C-14	13234-0045	C-11	132BA0665	C-14	21121-0706	C-13	35004-0319-290	E-8	41080-0192	F-5
120CA0840	F-5	13235-0003	F-3	132BA0665	C-6	21160-0553	C-13	35019-0050	E-9	41080-0193	F-5
120CB0514	C-10	13236-0097	E-14	132BA0665	C-7	21175-0792	C-10	35023-0357-266	E-9	41090-0114-WC	E-11
13001-0730	B-5	13236-0161	C-5	132BA0670	C-6	21175-0847	C-10	35023-0357-6C	E-9	41090-0115-WC	E-11
13002-0030	B-5	13236-0724	F-4	132BA0835	F-8	21176-0009	C-10	35063-0647	C-8	41091-0004-WC	E-11
13008-0028	B-5	13262-0671	B-14	132BA0840	B-7	21176-0058	C-8	36001-0220-6C	F-13	41091-0005-WC	E-11
13031-0739	B-11	13262-0672	B-14	132BB0625	D-3	21176-0066	C-10	36001-0222-6C	F-13	410AA0800	E-13
13032-0721	B-11	14001-0155	C-6	14001-0155	C-6	21176-0121	C-10	36001-0598-266	F-13	411S0600	B-7
13034-0019	B-11	13262-0676	B-14	14001-0605	C-6	21176-0129	C-8	36001-0600-266	F-13	42036-0019	E-6

This catalog covers:

'13~'14 KX250 ZDF/ZE

GRID NO. This grid covers:

L-15 Numerical Parts Index

Part No.	Grid No.	Part No.	Grid No.	Part No.	Grid No.	Part No.	Grid No.	Part No.	Grid No.	Part No.	Grid No.
42036-0020	E-7	44026-0175	F-9	49016-1044	F-4	56069-4007	G-6	92022-1380	C-14	92045-1287	C-6
42036-0021	E-7	44026-0176	F-9	49033-0026	C-8	56069-4008	G-6	92022-1690	F-11	92045-1335	C-6
42036-0022	E-7	44026-0181	F-9	49033-0560	C-8	56069-4009	G-6	92022-1737	F-8	92045-1432	C-6
42036-0030	E-7	44026-0182	F-9	49040-0707	C-9	56069-4010	G-6	92022-1814	F-4	92045-1446	E-13
42036-1351	E-7	44026-0183	F-9	49047-0620	C-4	56069-4011	G-6	92022-1827	C-14	92046-0016	B-13
42041-1383	E-13	44028-0055	F-9	49047-0621	C-4	56071-0023	G-4	92022-1827	C-5	92046-0034	C-6
42041-1383	E-13	44037-0133-21	F-9	49056-0036	C-8	56071-0367	G-4	92022-1829	E-8	92046-1151	E-7
42041-1384	E-13	44039-0122-21	F-9	49065-0017	C-11	58029-0056-266	G-7	92022-1944	B-12	92046-1174	E-6
42041-1408	E-13	44065-0059	F-9	49065-0023	C-11	58029-0056-6C	G-7	92022-250	E-3	92046-1190	B-13
42041-1428	E-13	44065-0060	F-9	49078-0003	B-8	59006-0011	B-6	92022-271	B-12	92046-1221	C-6
42041-1429	E-13	44065-0061	F-9	49078-0080	B-8	59051-0009	C-11	92022-304	C-14	92046-1240	E-6
42041-1448	E-13	44071-0864	F-9	49085-1070	D-3	59051-0061	C-14	92026-0737	F-9	92046-1301	E-7
42041-1449	E-13	44071-0865	F-9	49085-1073	D-3	59051-0089	B-12	92026-1217	C-5	92046-1301	F-3
42041-1450	E-13	44071-0866	F-9	49089-0832-25M	D-3	59051-0723	B-12	92027-1653	B-7	92049-0015	C-6
42041-1451	E-13	44071-0866	F-9	49089-0832-25M	D-3	59071-0049	C-8	92033-0040	F-3	92049-0030	C-6
43010-1087	F-6	44071-0887	F-9	49091-0001	F-4	59231-0042	F-11	92033-0042	F-3	92049-0060	C-7
43015-0168	F-6	44071-0918	F-9	49091-0001	F-6	59256-1065	C-14	92033-0057	B-14	92049-0061	C-7
43015-0579	F-4	45014-0405-23P	F-3	49107-0752	B-7	600A0800	B-12	92033-0057	C-3	92049-0063	E-7
43020-1094	F-6	45014-0417-23P	F-3	49118-0715	B-10	600A1000	B-13	92033-0076	F-3	92049-0069	E-7
43020-1115	F-4	46003-0572	F-8	49118-0774	B-10	610A0408	C-11	92033-0079	F-6	92049-0113	C-7
43026-0020	F-4	46012-0013-21	F-8	51001-0735	F-11	610A0408	C-4	92033-0720	F-9	92049-0151	F-3
43026-0021	F-4	46012-0020-21	F-8	51044-0725	C-9	670B2012	E-14	92033-1039	C-11	92049-0735	F-9
43026-0023	F-6	46012-0021-21	F-8	51044-0736	C-9	670E5070	C-9	92033-1041	E-13	92049-1262	C-6
43028-1067	F-4	46012-0048-21	F-8	51044-0739	C-9	92002-1736	E-3	92033-1161	B-5	92049-1349	B-8
43028-1092	F-6	46012-0324-21	F-8	51048-0031	F-11	92004-0025	B-3	92033-1270	B-14	92049-1387	B-12
43034-1110	F-4	46019-0041	F-8	510A3200	C-12	92005-0101	D-3	92033-1270	C-3	92049-1403	E-12
43048-1066	F-7	46019-0042	F-8	52005-1009	C-7	92005-0747	C-6	92036-007	B-13	92049-1519	C-7
43048-1093	F-5	46075-0072	F-8	52010-0001	C-11	92009-1571	C-4	92037-1523	B-3	92049-1614	E-13
43049-1060	F-5	46075-0082	F-8	53066-0357-336	F-13	92009-1795	F-4	92037-1589	D-3	92055-0010	C-14
43049-1061	F-5	46076-0019	F-8	54011-0569	F-12	92009-1971	F-11	92037-1903	F-14	92055-0016	C-10
43049-1063	F-7	46092-0007	F-8	54012-0591	F-12	92009-1981	C-8	92042-007	B-3	92055-0064	C-8
43049-1064	F-7	46102-0574	F-3	55020-0435-6C	E-5	92009-1993	E-9	92042-007	C-11	92055-0094	F-9
43056-1055	F-5	46102-0578	F-9	55020-0436-6C	E-5	92015-1014	E-6	92042-007	C-14	92055-0098	F-3
43056-1055	F-7	46102-0579	F-9	55020-0441-6C	F-9	92015-1259	B-6	92042-007	C-7	92055-0099	F-3
43057-1001	F-5	46102-0584	F-3	55020-0442-6C	F-9	92015-1339	E-5	92043-0004	F-6	92055-0100	F-3
43057-1001	F-7	46102-0591	F-3	55020-0443-6C	E-5	92015-1367	D-3	92043-0017	C-5	92055-0101	F-3
43058-0012	F-3	461S0600	B-7	55020-0458-6C	F-7	92015-1402	B-7	92043-0074	E-8	92055-0124	C-8
43078-0030	F-3	480J1400	C-5	550AA2015	F-6	92015-1426	C-12	92043-1507	F-7	92055-0131	F-9
43080-0037	F-7	480J1800	B-12	550AA3035	F-13	92015-1432	E-4	92043-1508	F-7	92055-0150	B-3
43080-0081	F-5	480J2200	B-14	550S3020	E-8	92015-1433	E-7	92043-1654	C-4	92055-055	B-14
43082-0107	F-7	481J2200	C-7	56033-0306	G-4	92015-1528	F-4	92043-1676	C-5	92055-055	C-3
43082-0132	F-5	49002-0003	B-3	56054-1282	G-6	92015-1791	E-3	92043-4009	B-3	92055-0729	B-3
43089-0026	F-3	49002-0016	B-3	56069-2431	G-5	92015-1792	E-3	92043-4009	B-5	92055-0743	F-9
43095-0617	F-6	49006-0030	F-8	56069-2432	G-5	92015-1861	E-3	92043-4009	C-6	92055-0744	F-9
43095-0755	F-4	49006-0060	F-8	56069-2433	G-5	92015-1962	F-8	92045-0013	C-6	92055-0745	F-9
44008-0059	F-9	49006-0078	F-4	56069-2434	G-5	92019-008	E-5	92045-0051	C-6	92055-0746	F-9
44013-0202	F-9	49006-1088	F-5	56069-2435	G-5	92019-008	F-8	92045-0052	C-6	92055-086	B-10
44013-0204	F-9	49006-1088	F-7	56069-2436	G-5	92022-1028	F-6	92045-0060	E-5	92055-091	C-4
44025-0052	F-9	49006-1242	F-5	56069-2437	G-5	92022-1088	F-8	92045-1123	C-7	92055-091	C-7
44026-0168	F-9	49006-1242	F-7	56069-4006	G-6	92022-1356	B-11	92045-1284	E-12	92055-1011	C-7

This catalog covers:

'13~'14 KX250 ZDF/ZE

GRID NO.

This grid covers:

L-16 Numerical Parts Index

Part No.	Grid No.	Part No.	Grid No.	Part No.	Grid No.	Part No.	Grid No.	Part No.	Grid No.	Part No.	Grid No.
92055-1146	C-7	92145-0465-10	F-3	92152-1606	C-3	92154-0546	D-3	92172-1064	F-6	92192-1184	C-6
92055-1308	C-14	92145-0499	B-12	92152-1624	E-5	92154-0546	F-13	92173-0058	C-7	92200-0027	B-13
92055-1352	B-4	92145-0608	C-5	92152-1652	F-10	92154-0547	F-13	92173-0861	F-14	92200-0029	C-5
92055-1622	C-8	92145-0758	B-10	92153-0338	B-3	92154-0772	E-9	92173-0885	B-7	92200-0045	B-13
92055-1671	C-8	92145-0800	E-8	92153-0339	B-3	92154-0774	E-5	92173-1002	B-6	92200-0087	C-6
92055-520	C-14	92145-0801	E-8	92153-0572	B-10	92154-0898	B-12	92173-1002	B-8	92200-0098	B-13
92057-0030	B-10	92145-0811	B-12	92153-0620	E-6	92154-0899	C-9	92180-0168	B-8	92200-0154	E-14
92057-0192	E-13	92145-0843	C-5	92153-0623	B-6	92154-0913	E-5	92180-0169	B-8	92200-0190	C-14
92058-1074	E-13	92145-0887-10	F-3	92153-0653	E-8	92154-0915	D-3	92180-0170	B-8	92200-0271	D-3
92062-0004	C-6	92145-0888-10	F-3	92153-0773	F-8	92154-0972	E-9	92180-0171	B-8	92200-0285	E-6
92062-0023	C-6	92145-0889-10	F-3	92153-0807	F-8	92154-1021	C-8	92180-0172	B-8	92200-0378	B-12
92065-058	C-6	92145-1414	C-4	92153-0808	F-8	92154-1057	F-10	92180-0173	B-8	92200-0442	B-14
92066-0757	C-7	92150-1340	F-10	92153-0825	C-5	92154-1058	F-10	92180-0174	B-8	92200-0442	C-3
92066-0758	C-7	92150-1340	F-7	92153-0918	B-10	92154-1059	F-10	92180-0175	B-8	92200-0723	C-3
92066-0759	C-7	92150-1435	D-3	92153-0938	E-7	92154-1094	B-3	92180-0176	B-8	92200-1548	B-13
92066-1437	C-6	92150-1435	E-5	92153-0939	E-7	92154-1109-KW	F-3	92180-0177	B-8	92200-1623	E-13
92066-3777	B-3	92150-1435	G-7	92153-1021	F-6	92154-1128	F-10	92180-0178	B-8	92210-0065	E-12
92070-0020	C-13	92150-1451	F-4	92153-1397	F-10	92154-1315	F-10	92180-0179	B-8	92210-0066	E-3
92070-0021	C-13	92150-1452	F-4	92153-1398	F-10	92160-1116	B-7	92180-0180	B-8	92210-0167	F-8
92072-0045	F-11	92150-1491	C-11	92153-1399	F-10	92161-0041	C-8	92180-0181	B-8	92210-0270	F-3
92072-1293	F-8	92150-1506	B-6	92153-1419	F-4	92161-0073	F-13	92180-0182	B-8	92210-0285	E-6
92075-209	D-3	92150-1506	E-5	92153-1419	F-6	92161-0113	F-8	92180-0183	B-8	92210-0350	B-11
92081-020	B-12	92150-1691	F-5	92153-1669	C-5	92161-0213	B-6	92180-0184	B-8	92210-0430	F-10
92093-0584	F-10	92150-1692	F-7	92153-1669	C-6	92161-0266	E-5	92180-0185	B-8	92210-0493	E-13
92093-1434	E-6	92150-1811	F-7	92153-1735	F-3	92161-0329	B-8	92180-0186	B-8	92210-0630	E-5
92093-1435	E-6	92150-1978	E-13	92154-0024	E-3	92161-0878	E-5	92180-0187	B-8	92210-0630	E-6
92093-1436	E-7	92151-1449	B-7	92154-0031	C-12	92161-0976	C-10	92180-0188	B-8	92210-0721	C-3
92104-0004	G-3	92151-1652	C-12	92154-0180	B-13	92161-1184	E-11	92180-0189	B-8	92210-0814	F-3
92104-1063	G-3	92151-1764	B-12	92154-0243	C-8	92161-1377	F-11	92180-0190	B-8	92210-0815	F-3
92104-1064	G-3	92151-1799	F-5	92154-0378	E-4	92161-1392	F-11	92180-0191	B-8	92210-1080	E-4
92110-0004	G-3	92152-0028	E-12	92154-0380	E-4	92161-1393	F-11	92180-0192	B-8	92210-1080	E-7
92110-0005	G-3	92152-0052	E-5	92154-0381	E-4	92170-1077	D-3	92180-0193	B-8	92210-1184	E-4
92116-1069	E-3	92152-0275	B-6	92154-0394	E-7	92170-1283	D-3	92180-0194	B-9	92210-1184	E-7
92116-1076	E-3	92152-0292	E-6	92154-0396	B-7	92170-1514	B-3	92180-0195	B-9	92210-1207	B-13
92122-0016	E-5	92152-0324	E-12	92154-0463	F-10	92170-1938	C-6	92180-0196	B-9	92210-1352	E-9
92122-0021	C-11	92152-0425	E-11	92154-0464	F-10	92171-0372	D-3	92180-0197	B-9	92210-1411	E-13
92122-0042	E-5	92152-0569	F-11	92154-0511	E-6	92171-0481	F-4	92180-0198	B-9		
92139-0014	B-13	92152-0620	E-5	92154-0512	E-7	92171-0482	F-4	92180-0199	B-9		
92139-0241	B-14	92152-0666	D-3	92154-0513	E-7	92171-0506	F-10	92180-0200	B-9		
92139-0241	C-3	92152-0683	B-14	92154-0515	E-8	92171-0579	C-6	92180-0201	B-9		
92143-1196	E-5	92152-0683	C-3	92154-0516	E-14	92171-0594	C-6	92180-0202	B-9		
92143-1307	E-5	92152-0687	B-14	92154-0517	E-4	92171-0652	F-12	92180-0203	B-9		
92143-1642	E-5	92152-0944	E-5	92154-0518	E-4	92171-0857	B-3	92180-0204	B-9		
92143-1676	E-6	92152-0945	E-5	92154-0519	B-7	92172-0064	C-8	92180-0205	B-9		
92144-1721	F-5	92152-1139	E-7	92154-0520	B-10	92172-0069	F-8	92180-0206	B-9		
92144-1752	E-14	92152-1414	C-5	92154-0520	C-11	92172-0087	C-11	92180-0207	B-9		
92144-1761	C-11	92152-1427	E-13	92154-0520	C-7	92172-0119	E-6	92180-0208	B-9		
92144-1819	F-7	92152-1449	E-5	92154-0520	C-11	92172-0119	E-6	92190-1488	E-14		
92145-0351	B-13	92152-1544	E-13	92154-0532	C-14	92172-0248	B-12	92192-0161	F-11		
92145-0453	C-5	92152-1552	F-11	92154-0535	B-4	92172-0438	C-8	92192-0167	D-3		
						92172-0776	C-8	92192-0823	C-8		

This catalog covers:

'13~'14 KX250 ZDF/ZEF

Accessory	G-7
Air Cleaner	B-6
Brake Pedal	E-14
Cables	F-12
Camshaft(s)	B-10
Chassis Electrical Equipment	F-14
Clutch	B-13
Crankcase	C-6
Crankshaft	B-11
Cylinder	B-5
Cylinder Head	B-3
Cylinder Head Cover	B-4
Decals(ZDF)	G-5
Decals(ZEF)	G-6
Engine Cover(s)	C-7
Engine Mount	E-4
Fenders	E-9
Footrests	E-8
Frame	E-3
Frame Fittings	E-5
Front Brake	F-5
Front Fork	F-10/F-9
Front Hub	E-12
Front Master Cylinder	F-4
Fuel Injection	C-10
Fuel Pump	C-9
Fuel Tank	F-11
Gear Change Drum	C-4

GRID NO.

B-16

This grid covers:

Part Name Index

Gear Change Mechanism	C-5
Generator	C-12
Handlebar	F-8
Ignition System	C-13
Kickstarter Mechanism	B-12
Labels	G-4
Muffler(s)	B-7
Oil Pump	C-11
Owners Tools	G-3
Piston(s)	B-5
Radiator	D-3
Rear Brake	F-7
Rear Hub	E-13
Rear Master Cylinder	F-6
Shift Fork(s)	C-4
Shock Absorber(s)	F-3
Side Covers	F-13
Stand(s)	E-10
Suspension	E-7
Swingarm	E-6
Tensioner	B-10
Throttle	C-8
Tires	E-11
Transmission(ZDF)	B-14
Transmission(ZEF)	C-3
Valve(s)	B-8/B-9
Water Pump	C-14

