



VN900 BCFA/BDF/BEF/BFF



PARTS CATALOG



VN900 BCFA/BDF/BEF/BFF

PARTS CATALOG
KAWASAKI MOTORCYCLE

This catalog covers:

'12~'15 VN900 BCFA/BDF/BEF/BFF

GROUP NO.

A-1

This page covers:

Color Combination Parts List



Pearl Meteor Gray/Polar White (40G)

Year & Model

'12 VN900BCFA

Color

Pearl Meteor Gray/Polar White (40G)

Frame No. Range

JKAVN900BBA070001 ~ 077000

Engine No. Range

VN900BE000001 ~

Description

Group No.

Part No.

P.M. Gray/P.White

COVER,RESERVIOR TANK

F-6

14091-0536-18R

FENDER-FRONT

E-9

35004-0062-10H

FENDER-REAR

E-9

35023-0114-10H

COVER-SIDE,LH

G-4

36001-0081-10H

COVER-SIDE,RH

G-4

36001-0082-10H

TANK-COMP-FUEL

F-11

51087-5268-40G

This catalog covers:

'12~'15 VN900 BCFA/BDF/BEF/BFF

GROUP NO.

A-2

This page covers:

Color Combination Parts List



Pearl Flat Stardust White/Flat Ebony Type2 (40Y)

Year & Model

'13 VN900BDF

Color

Pearl Flat Stardust White/Flat Ebony Type2 (40Y)

Frame No. Range

JKAVN900BBA077001 ~ 080000

Engine No. Range

VN900BE000001 ~

Description

Group No.

Part No.

P.F.S. White/F. Ebony Type2

COVER,RESERVIOR TANK

F-6

14091-0536-18R

FENDER-FRONT

E-9

35004-5380-40Y

FENDER-REAR

E-9

35023-5207-40Y

COVER-SIDE,LH

G-4

36001-0081-45L

COVER-SIDE,RH

G-4

36001-0082-45L

TANK-COMP-FUEL

F-11

51088-5019-40Y

This catalog covers:

'12~'15 VN900 BCFA/BDF/BEF/BFF

GROUP NO.

A-3

This page covers:

Color Combination Parts List



Metallic Graphite Gray/Ebony (46A)

Year & Model

'14 VN900BEF

Color

Metallic Graphite Gray/Ebony (46A)

Frame No. Range

JKAVN900BBA080001 ~ 085000

Engine No. Range

VN900BE000001 ~

Description

Group No.

Part No.

M.G. Gray/Ebony

COVER,RESERVIOR TANK

F-6

14091-0536-18R

FENDER-FRONT

E-9

35004-5392-46A

FENDER-REAR

E-9

35023-5231-46A

COVER-SIDE,LH

G-4

36001-0081-45W

COVER-SIDE,RH

G-4

36001-0082-45W

TANK-COMP-FUEL

F-11

51088-5305-46A

This catalog covers:

'12~'15 VN900 BCFA/BDF/BEF/BFF

GROUP NO.

A-4

This page covers:

Color Combination Parts List



Metallic Carbon Gray (51A)

Year & Model

'15 VN900BFF

Color

Metallic Carbon Gray (51A)

Frame No. Range

JKAVN900BBA085001 ~

Engine No. Range

VN900BE000001 ~

Description

Group No.

Part No.

M.C. Gray

COVER,RESERVIOR TANK

F-6

14091-0536-18R

FENDER-FRONT

E-9

35004-0062-51A

FENDER-REAR

E-9

35023-0114-51A

COVER-SIDE,LH

G-4

36001-0081-51A

COVER-SIDE,RH

G-4

36001-0082-51A

TANK-COMP-FUEL

F-11

51001-0335-51A

This catalog covers:

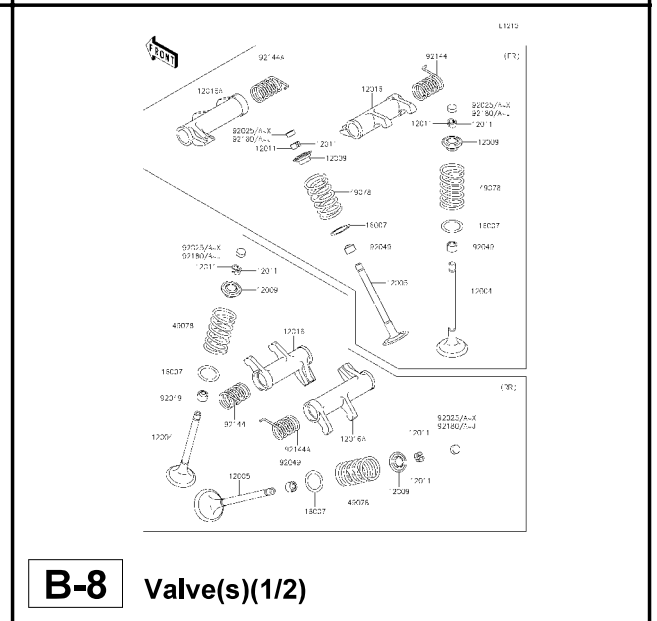
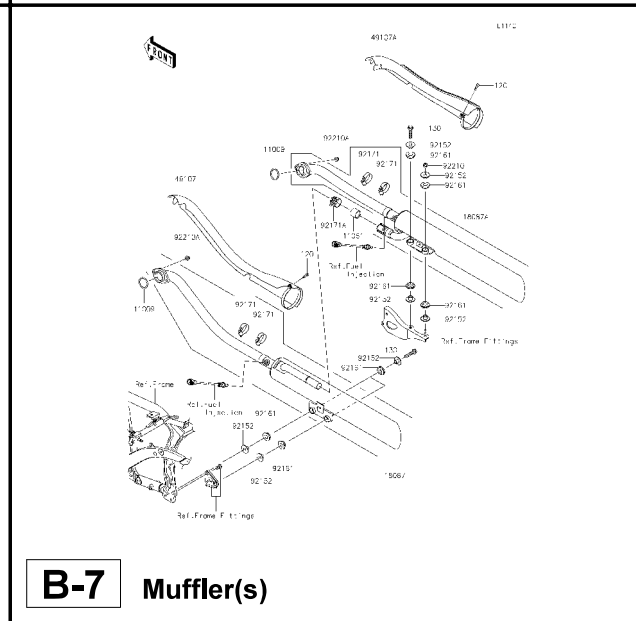
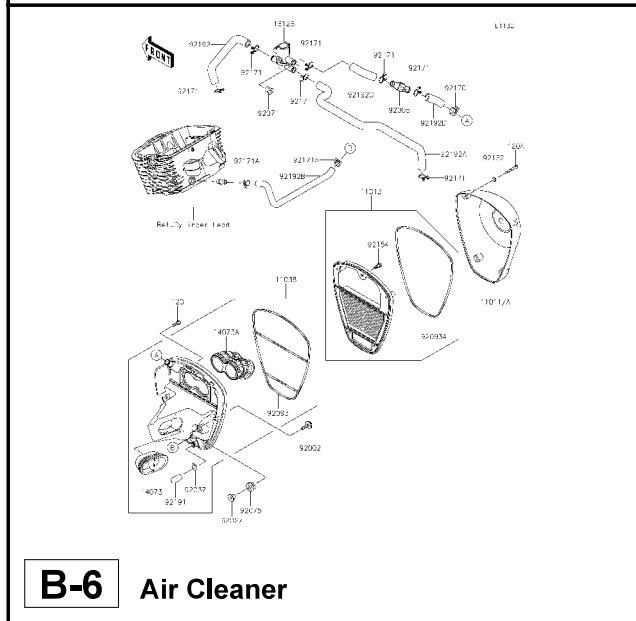
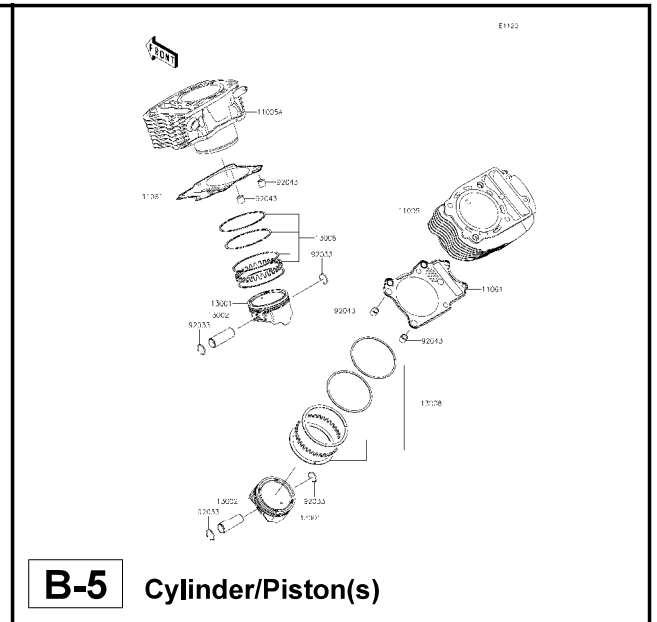
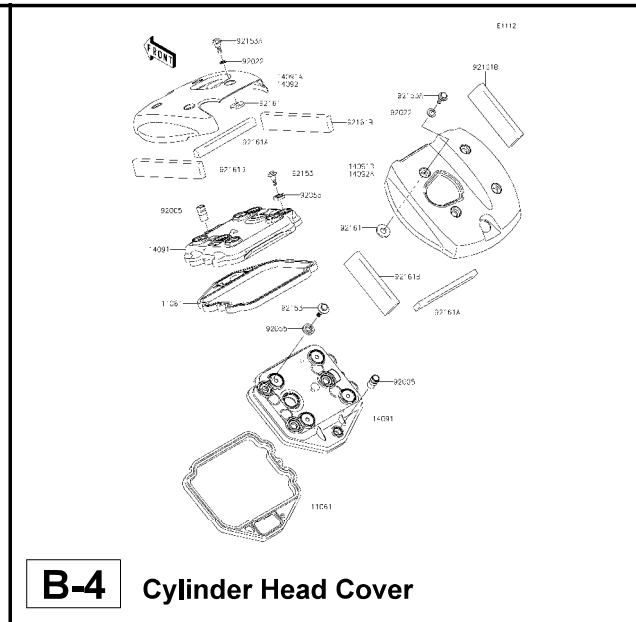
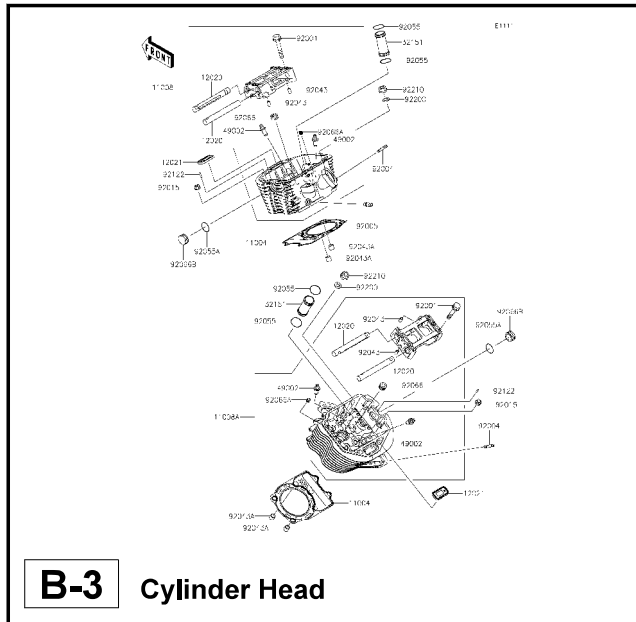
'12~'15 VN900 BCFA/BDF/BEF/BFF Engine

GRID NO.

B-1

This grid covers:

Pictorial Index



This catalog covers:

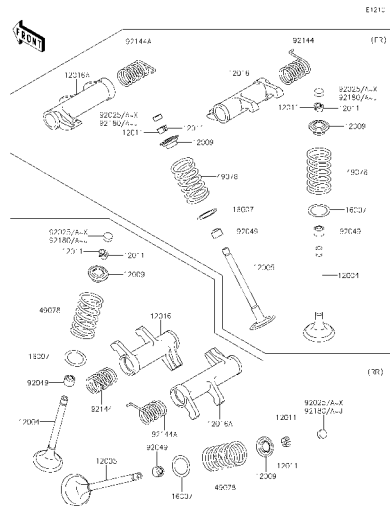
'12~'15 VN900 BCFA/BDF/BEF/BFF Engine

GRID NO.

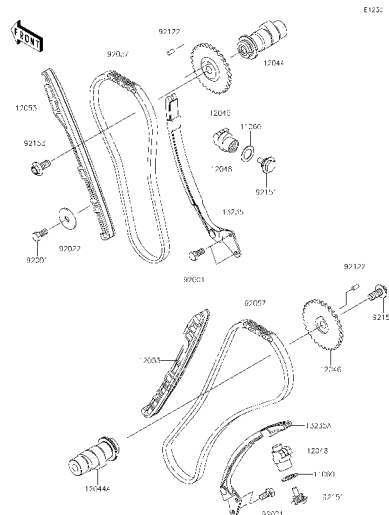
B-2

This grid covers:

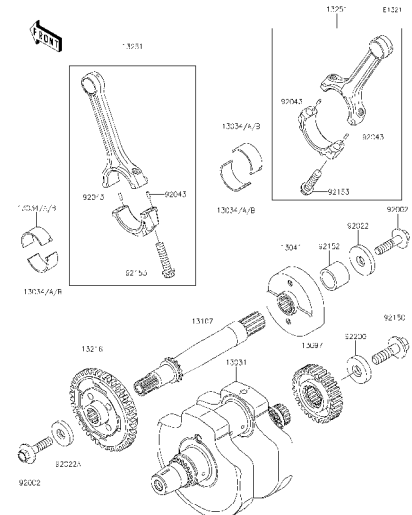
Pictorial Index



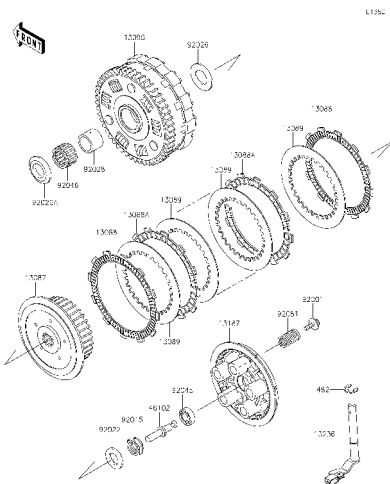
B-9 Valve(s)(2/2)



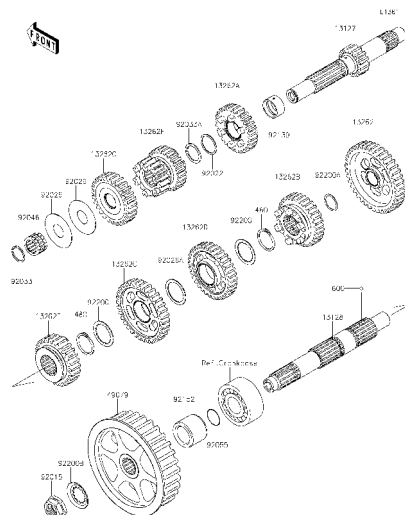
B-10 Camshaft(s)/Tensioner



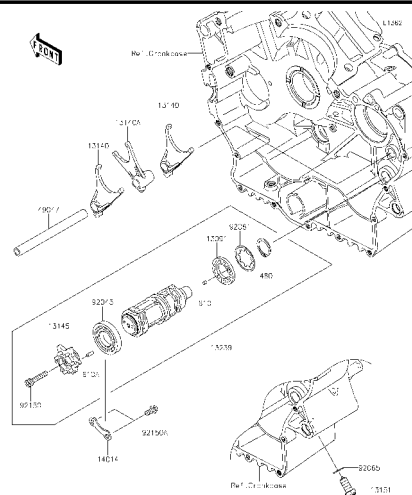
B-11 Crankshaft



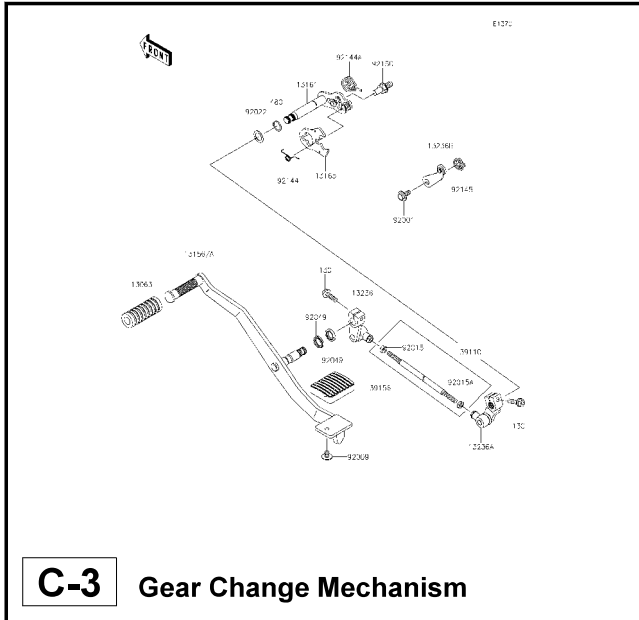
B-12 Clutch



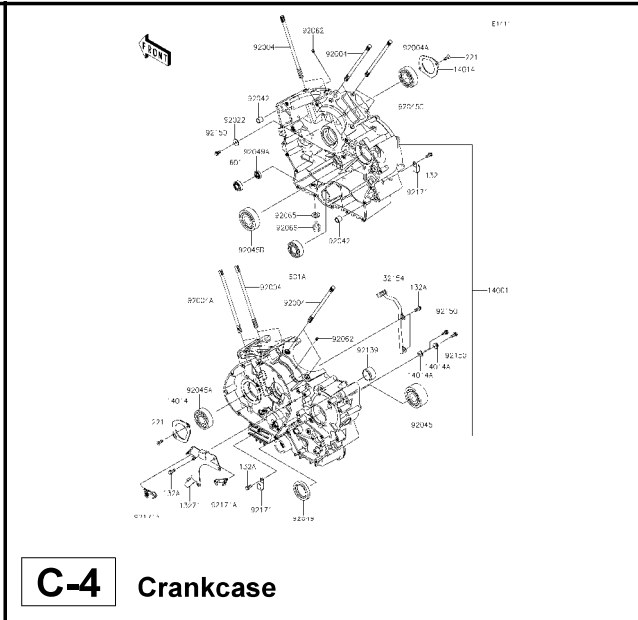
B-13 Transmission



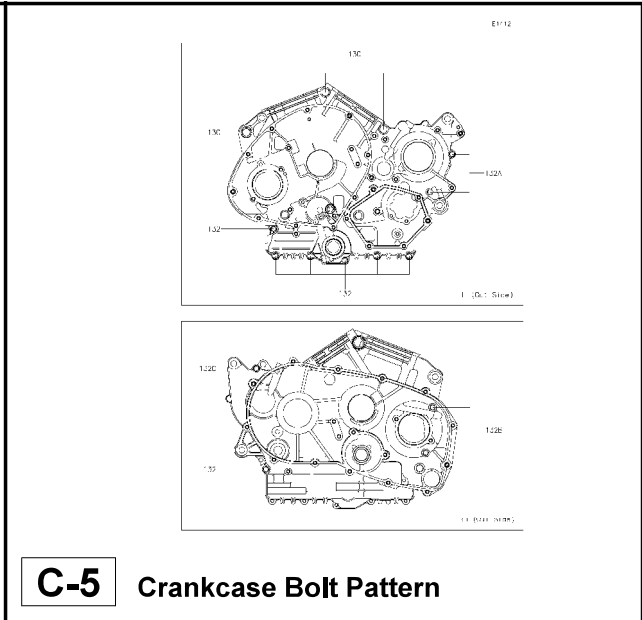
B-14 Gear Change Drum/Shift Fork(s)



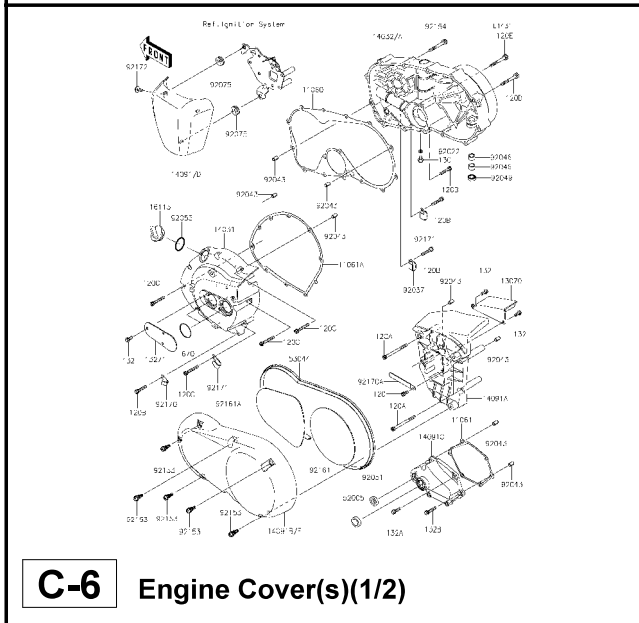
C-3 Gear Change Mechanism



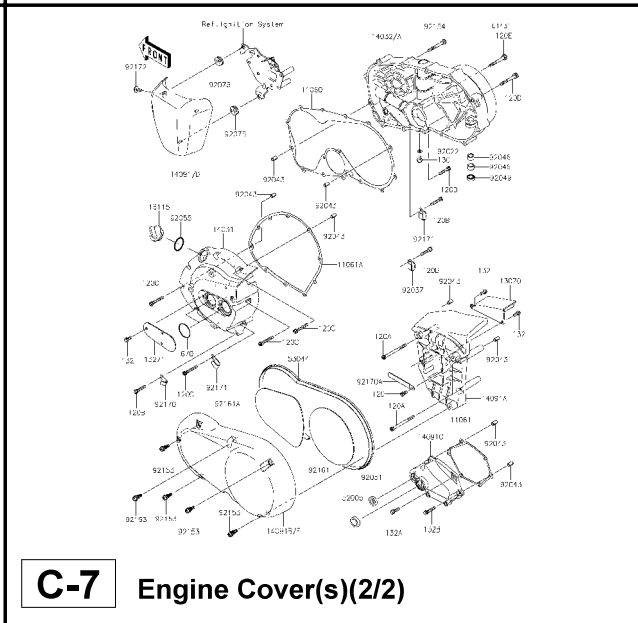
C-4 Crankcase



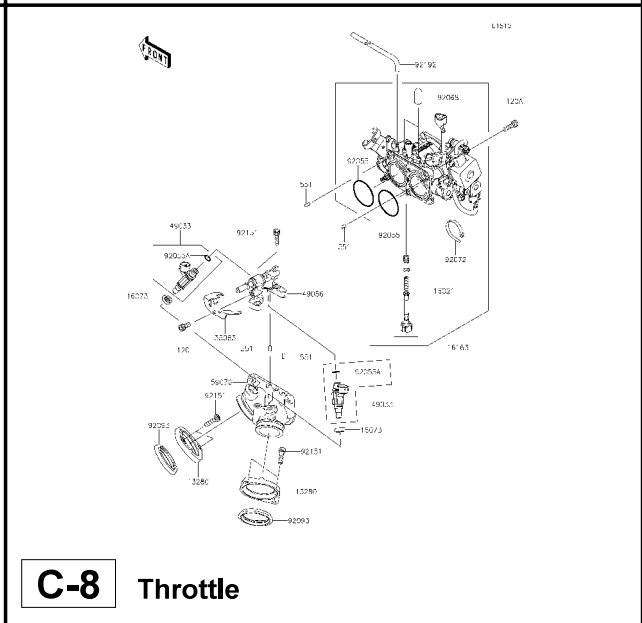
C-5 Crankcase Bolt Pattern



C-6 Engine Cover(s)(1/2)



C-7 Engine Cover(s)(2/2)



C-8 Throttle

This catalog covers:

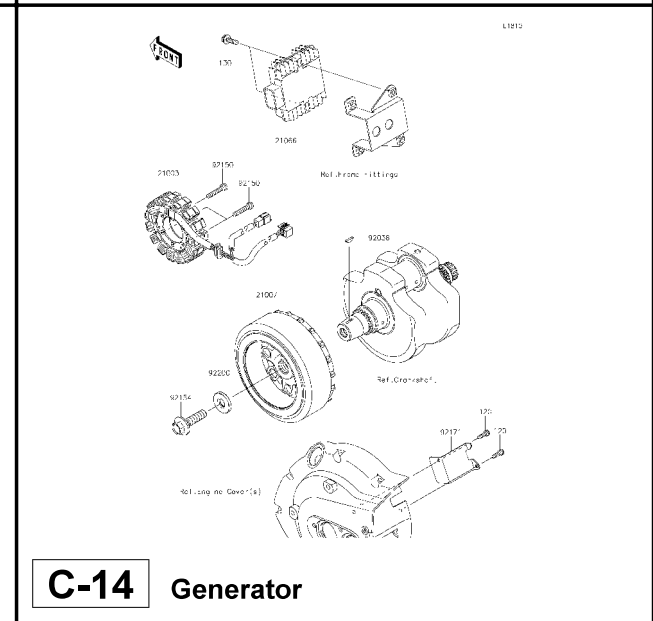
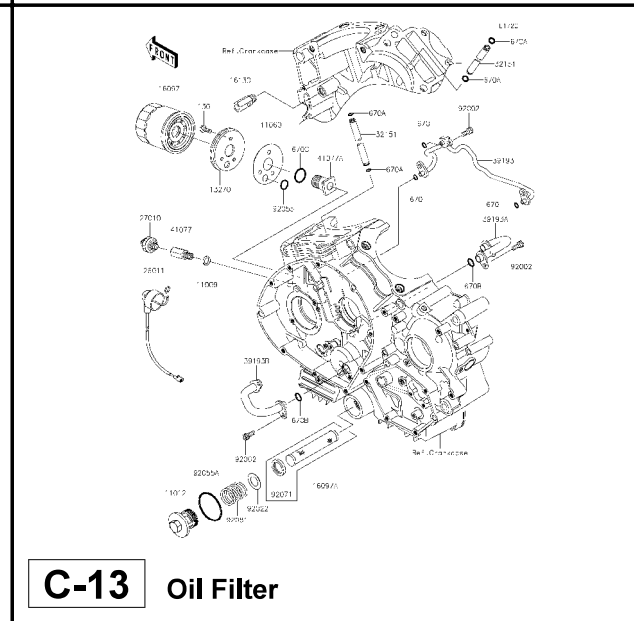
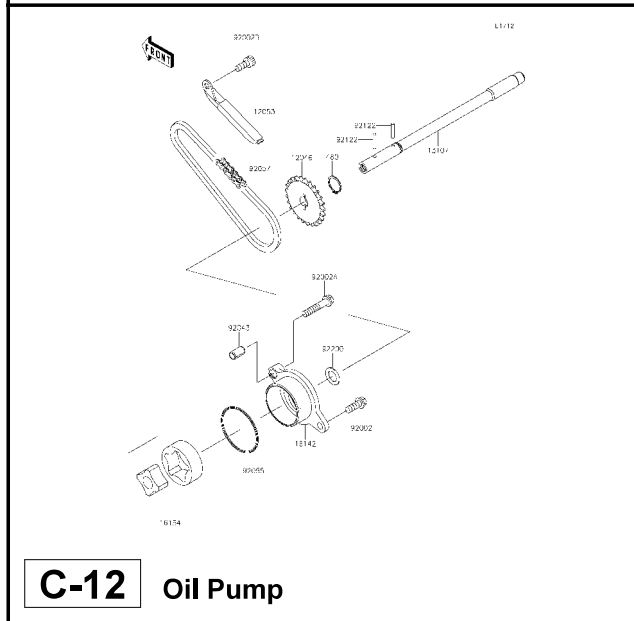
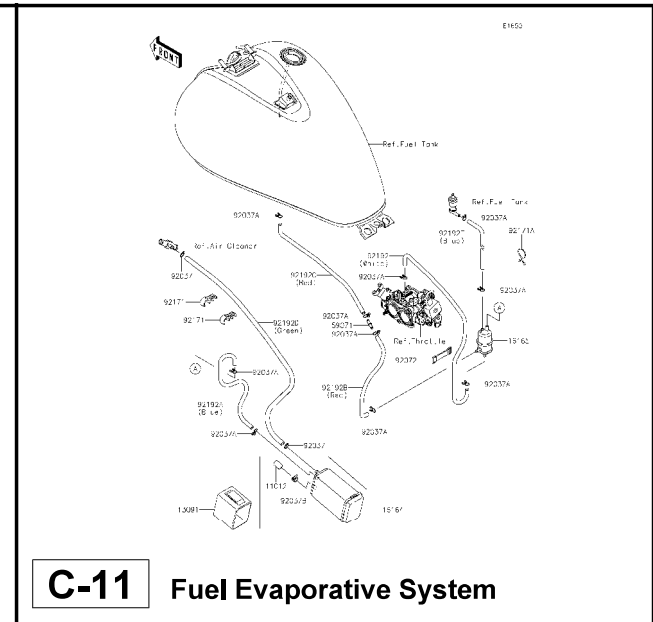
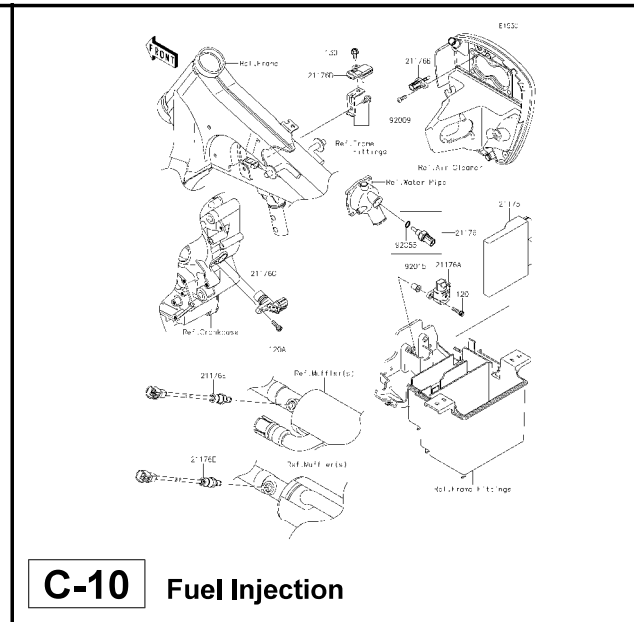
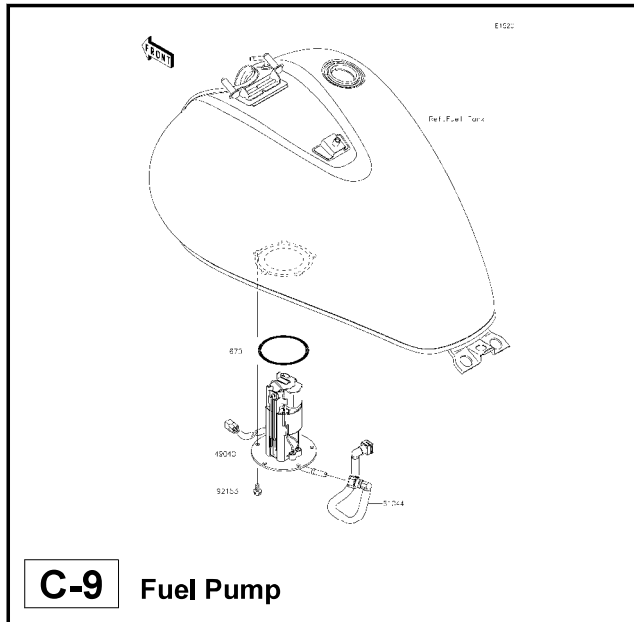
'12~'15 VN900 BCFA/BDF/BEF/BFF Engine

GRID NO.

C-2

This grid covers:

Pictorial Index



This catalog covers:

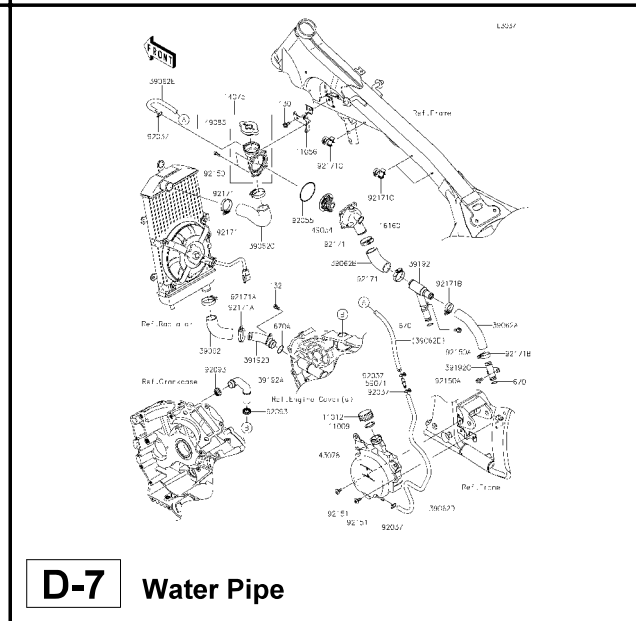
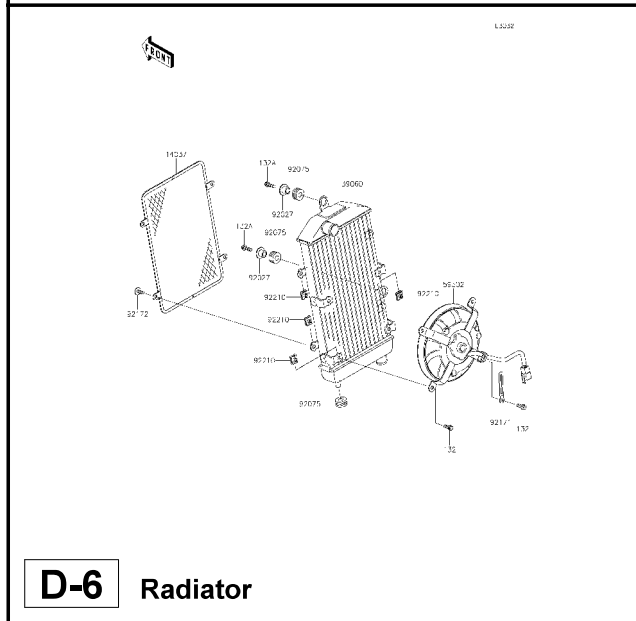
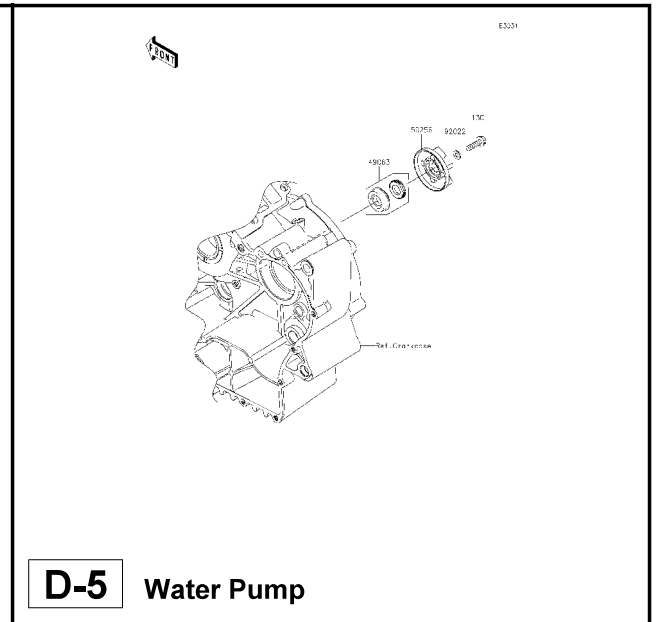
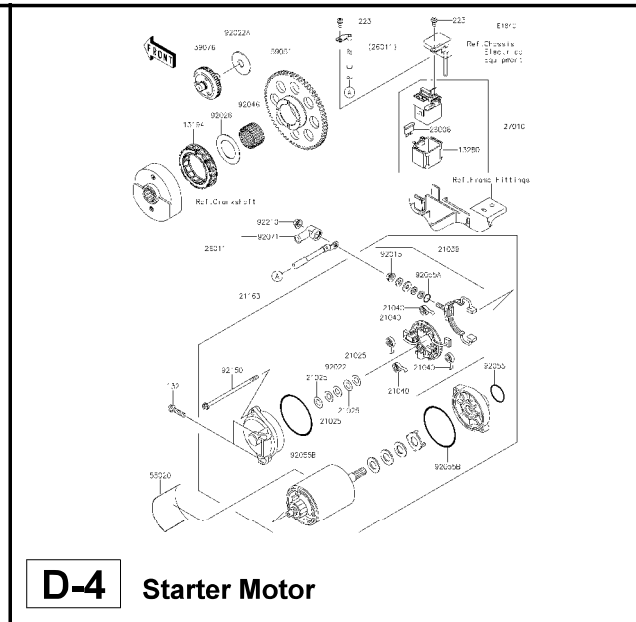
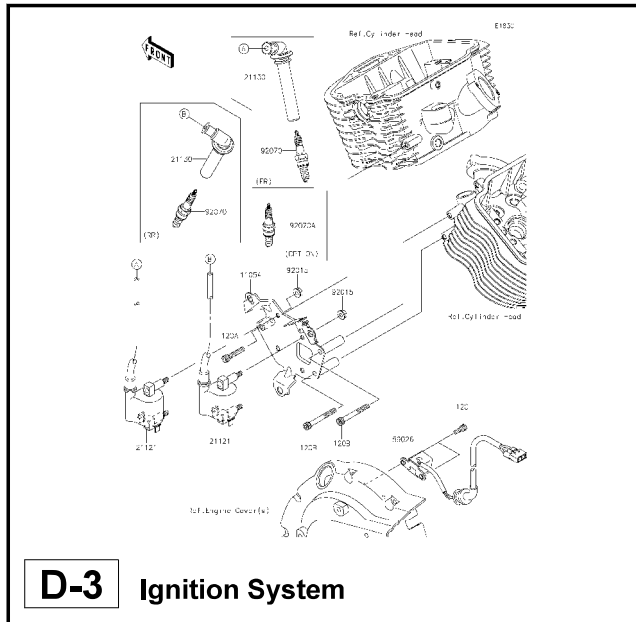
'12~'15 VN900 BCFA/BDF/BEF/BFF Engine

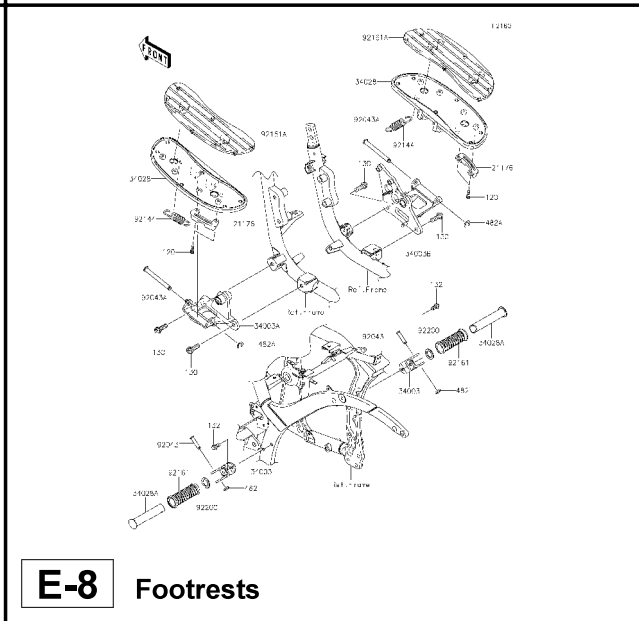
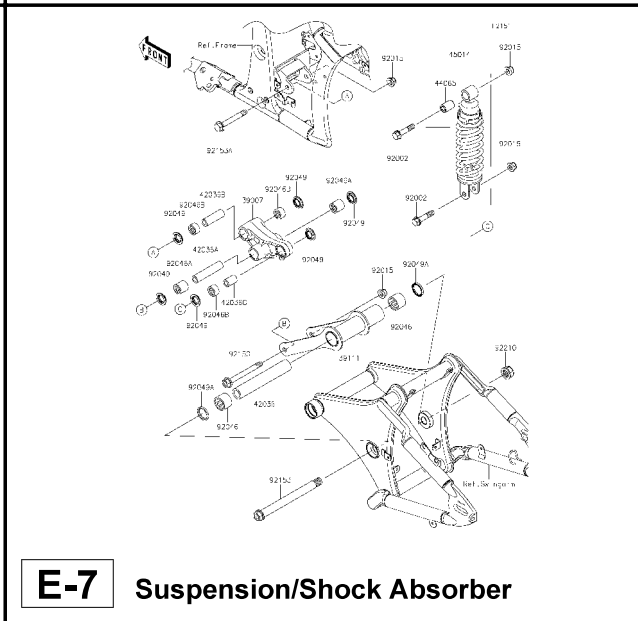
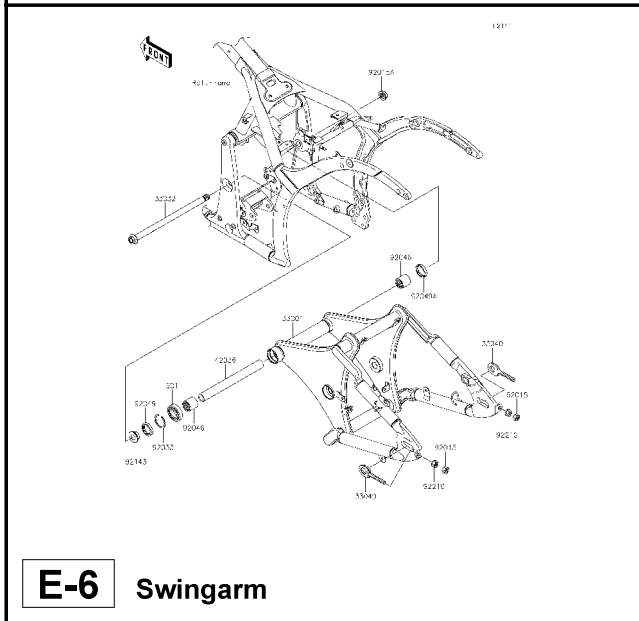
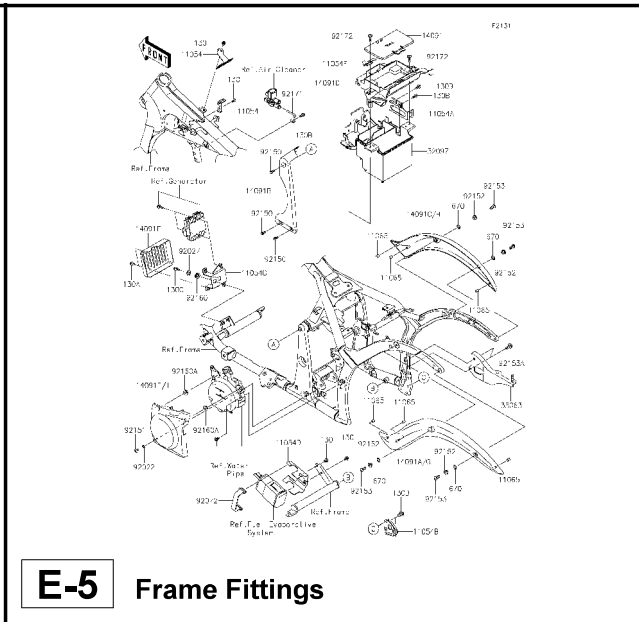
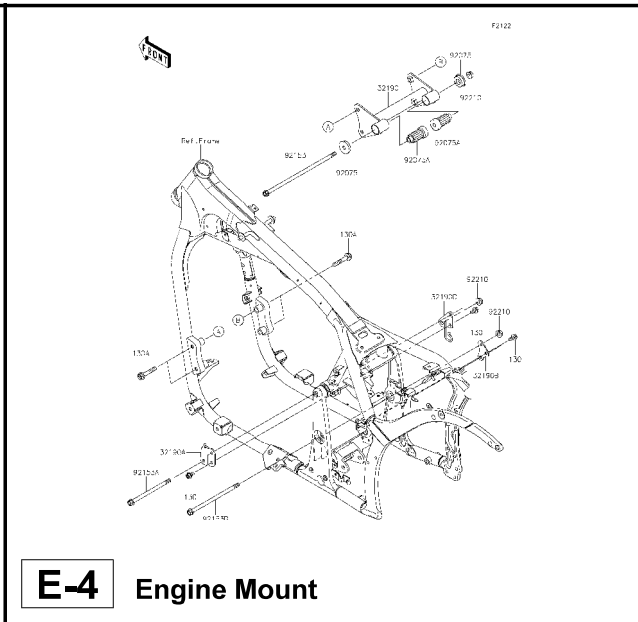
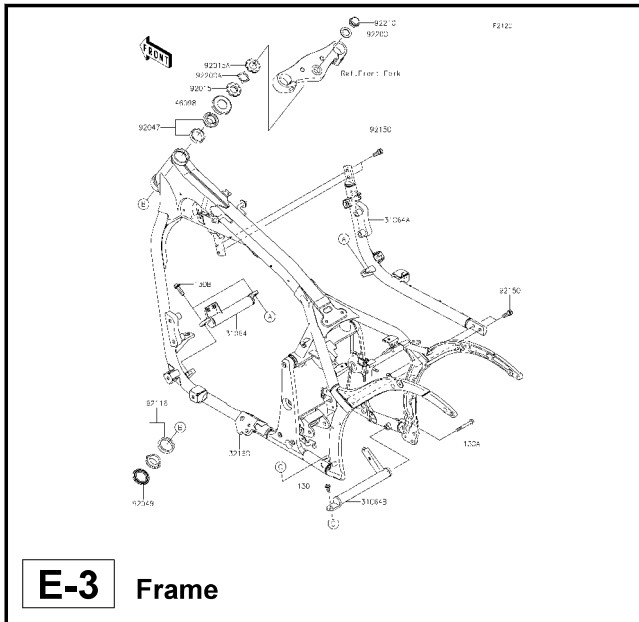
GRID NO.

D-1

This grid covers:

Pictorial Index





This catalog covers:

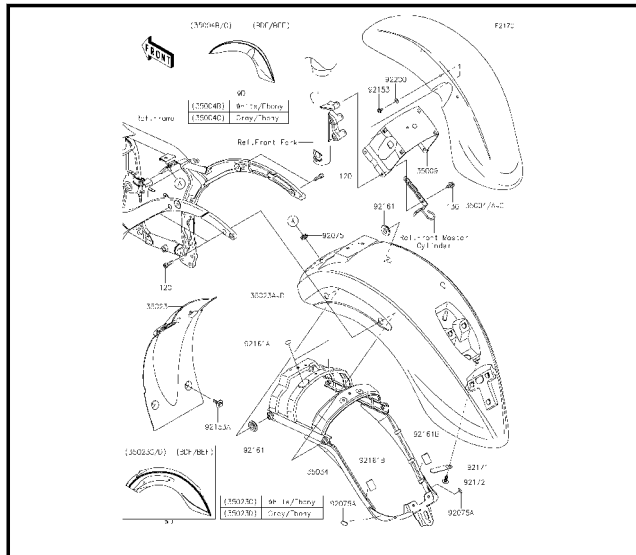
'12~'15 VN900 BCFA/BDF/BEF/BFF Chassis

GRID NO.

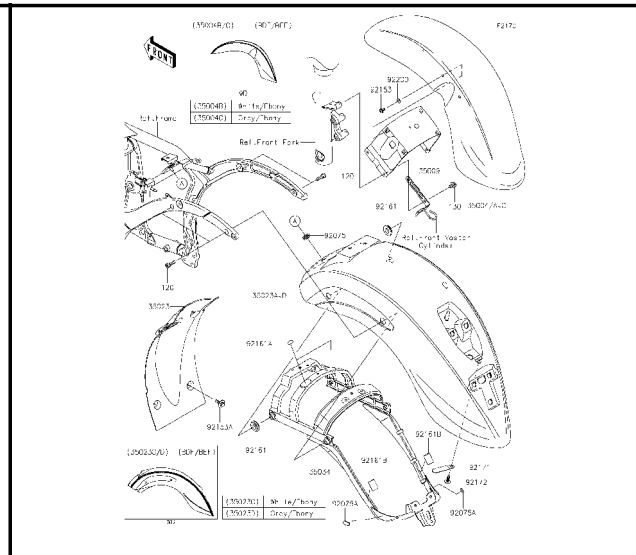
E-2

This grid covers:

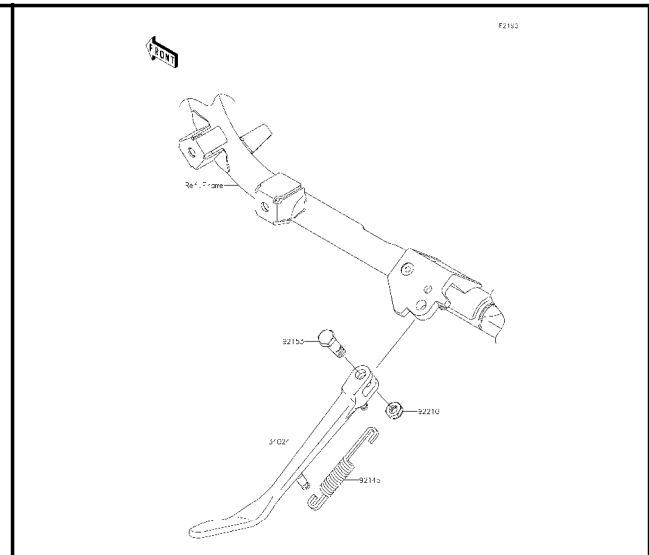
Pictorial Index



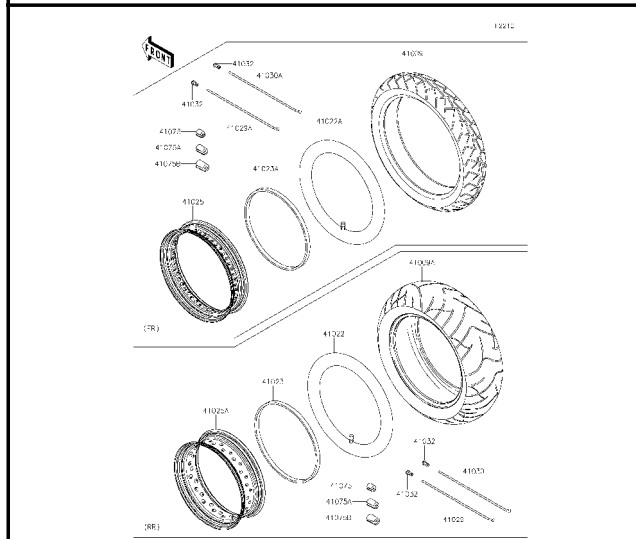
E-9 Fenders(1/2)



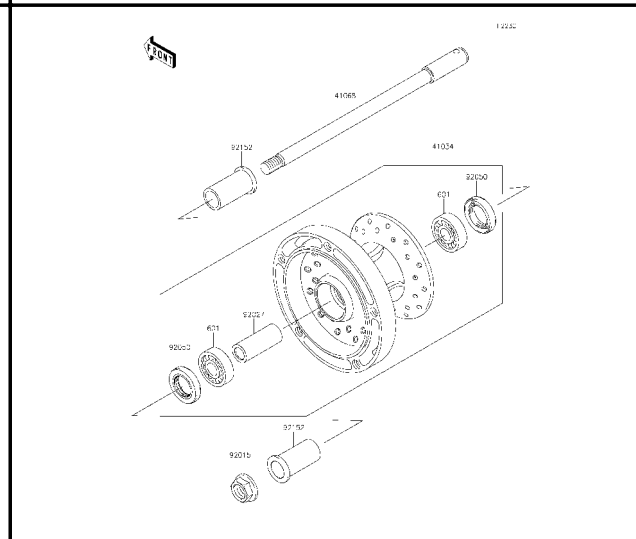
E-10 Fenders(2/2)



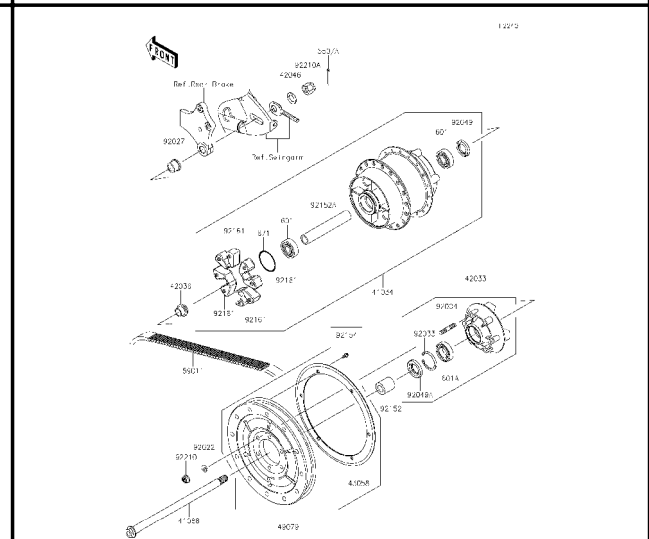
E-11 Stand(s)



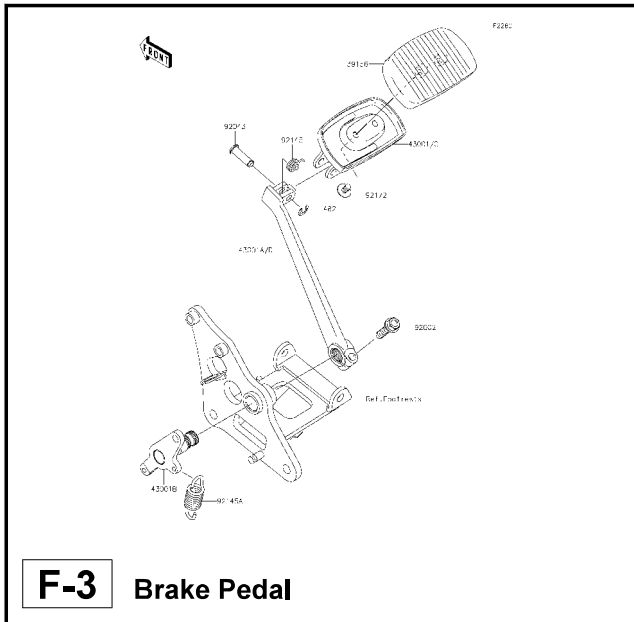
E-12 Tires



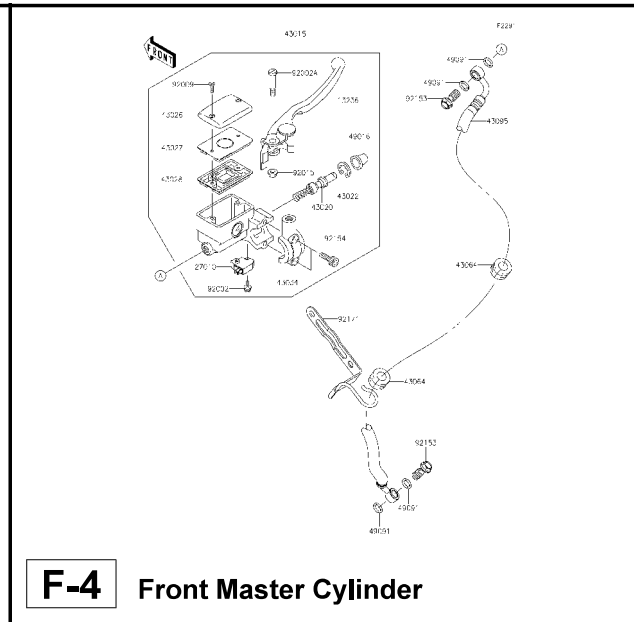
E-13 Front Hub



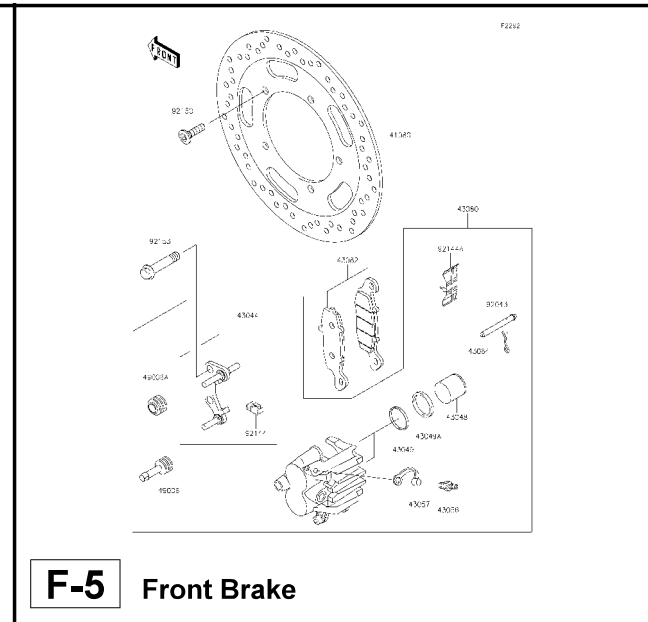
E-14 Rear Hub



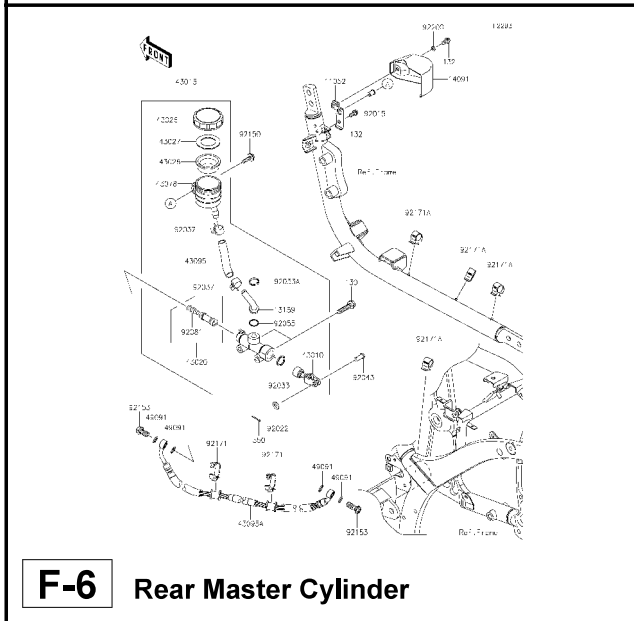
F-3 Brake Pedal



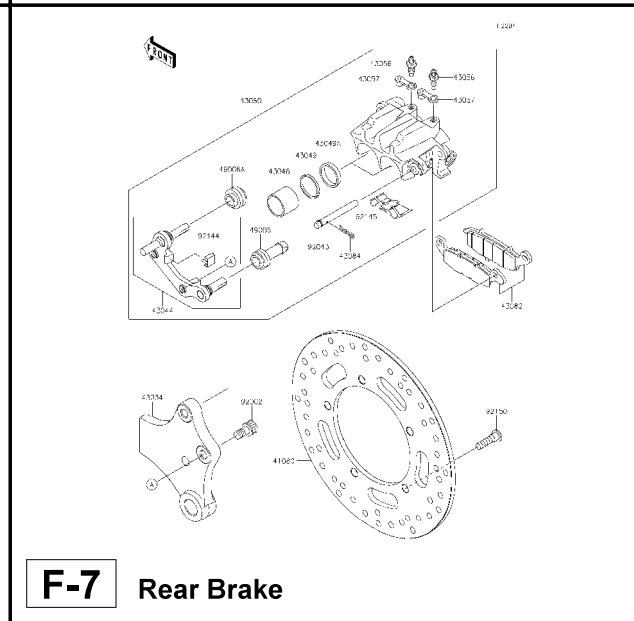
F-4 Front Master Cylinder



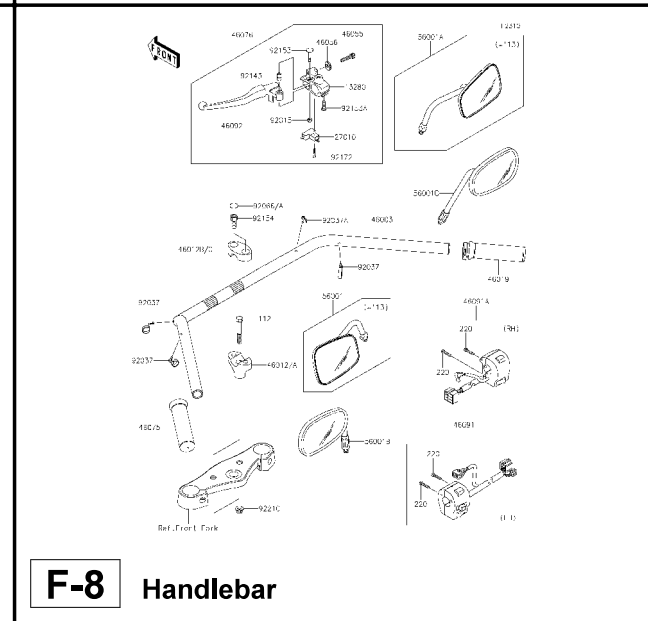
F-5 Front Brake



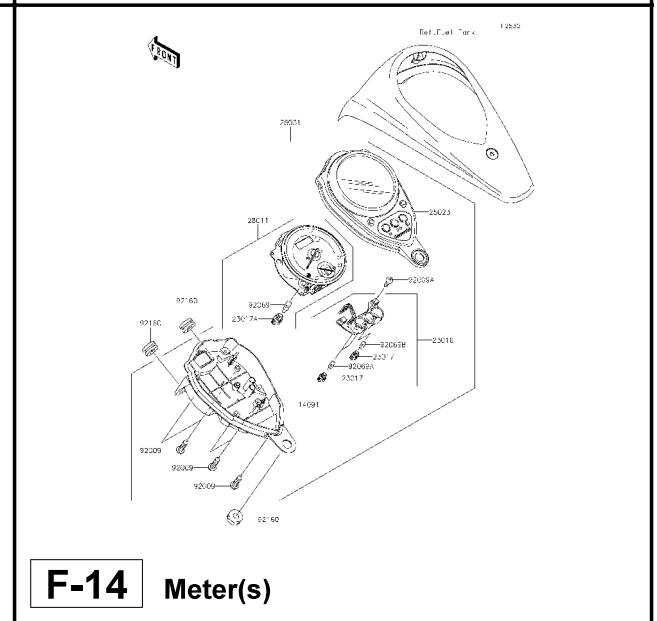
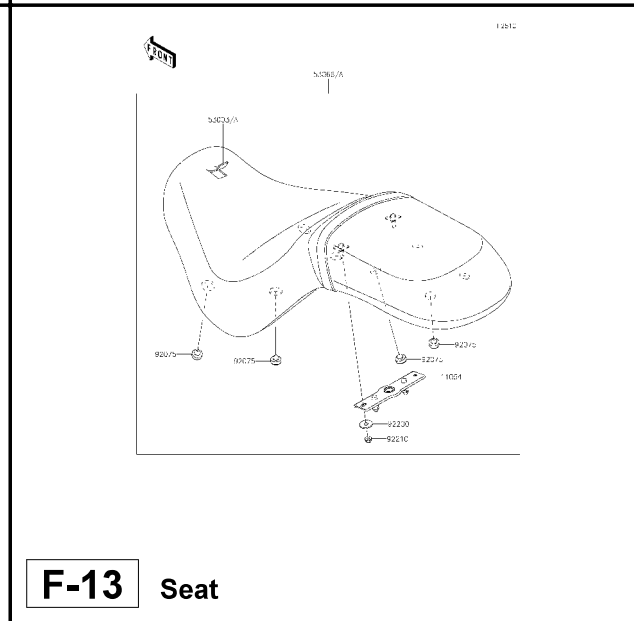
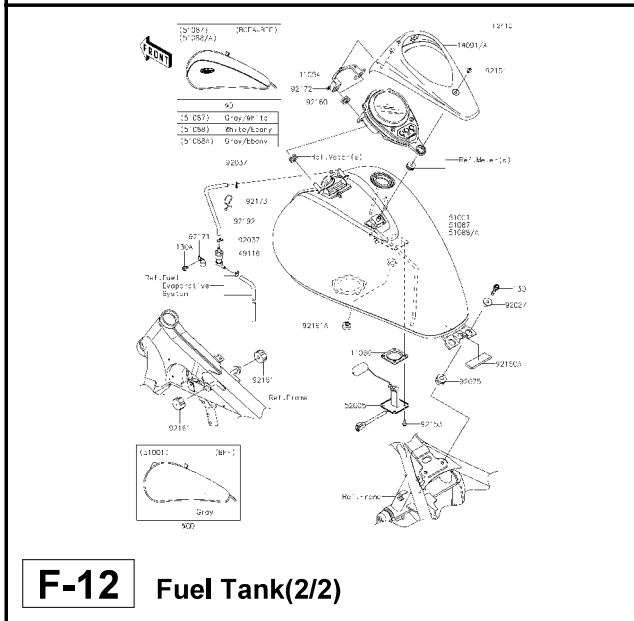
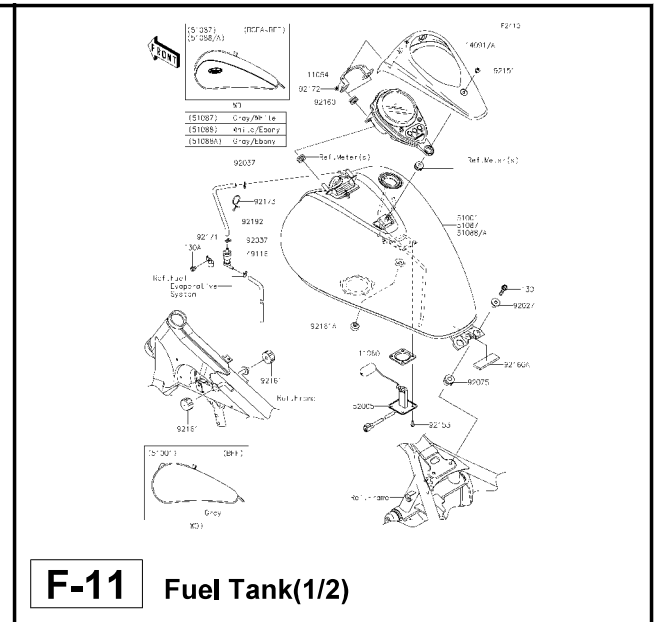
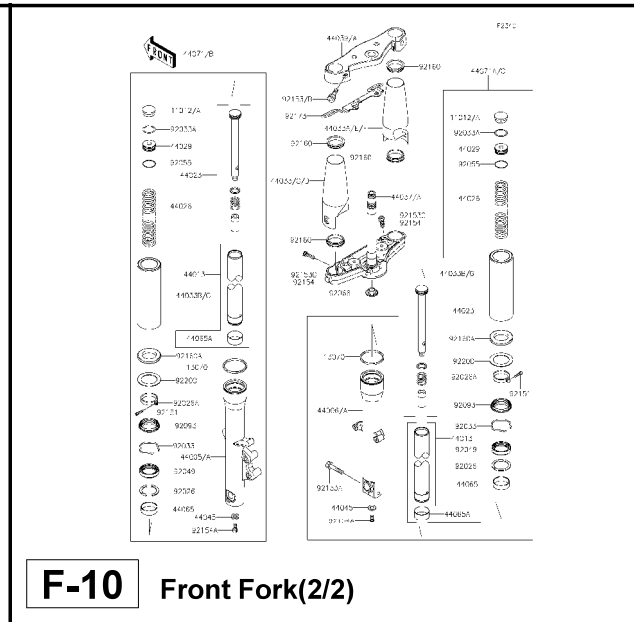
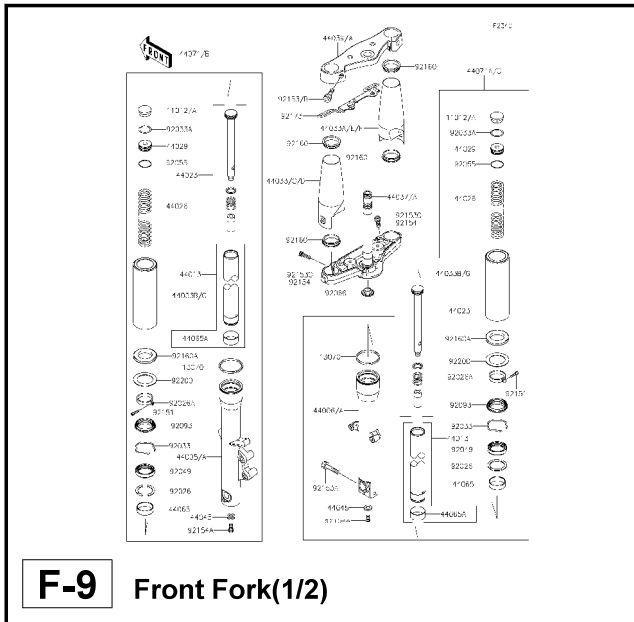
F-6 Rear Master Cylinder

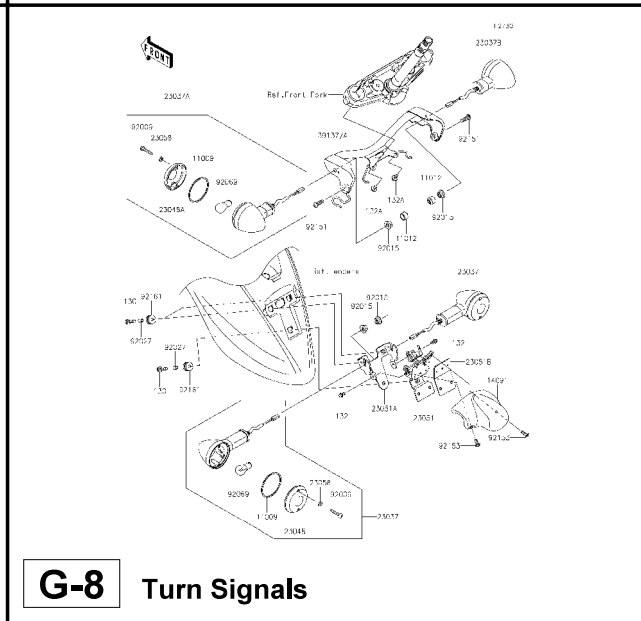
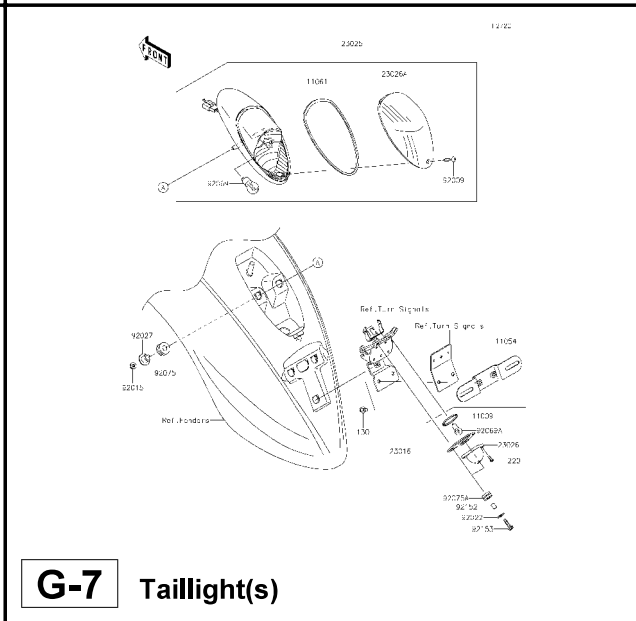
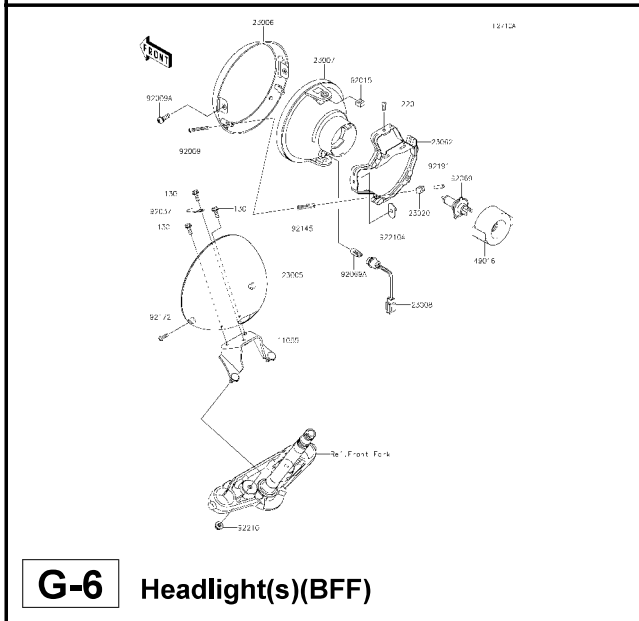
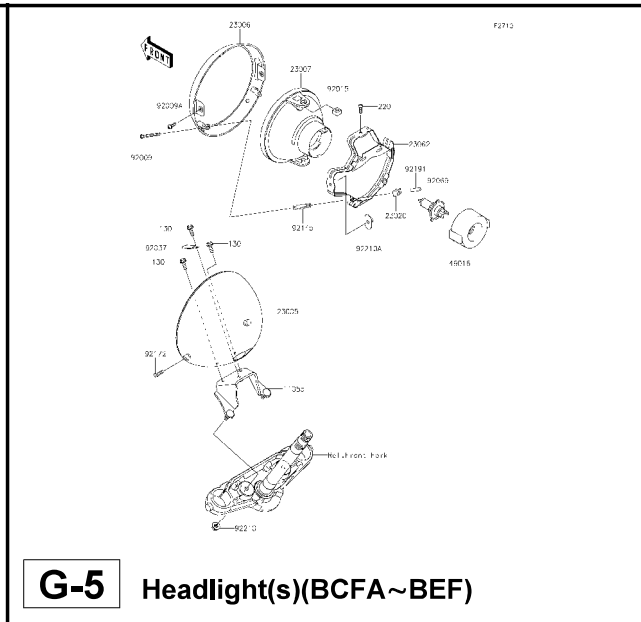
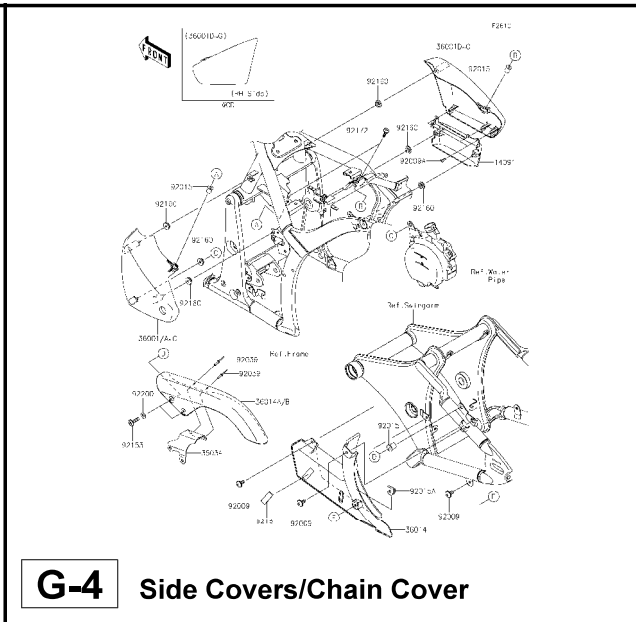
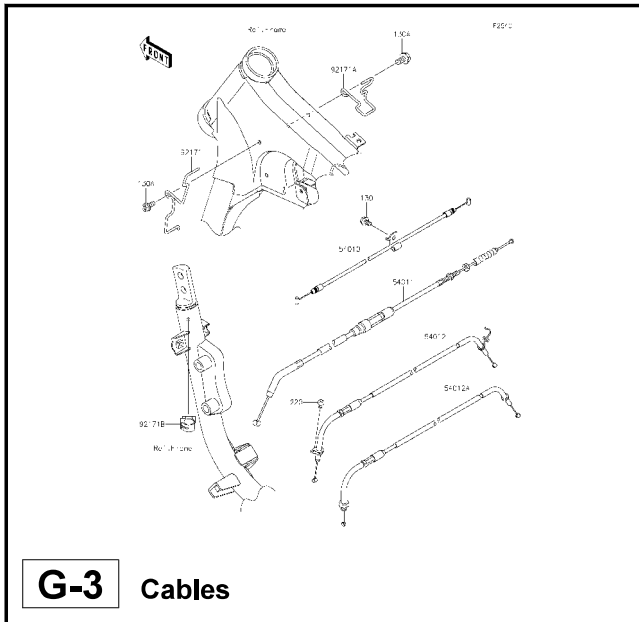


F-7 Rear Brake



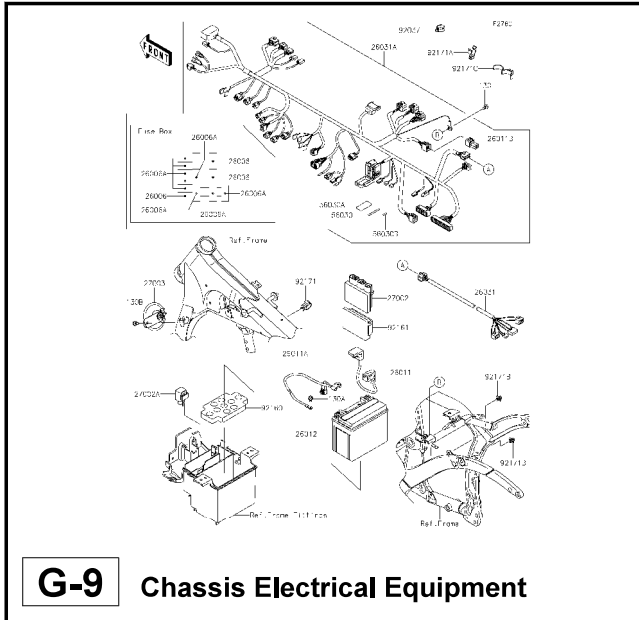
F-8 Handlebar



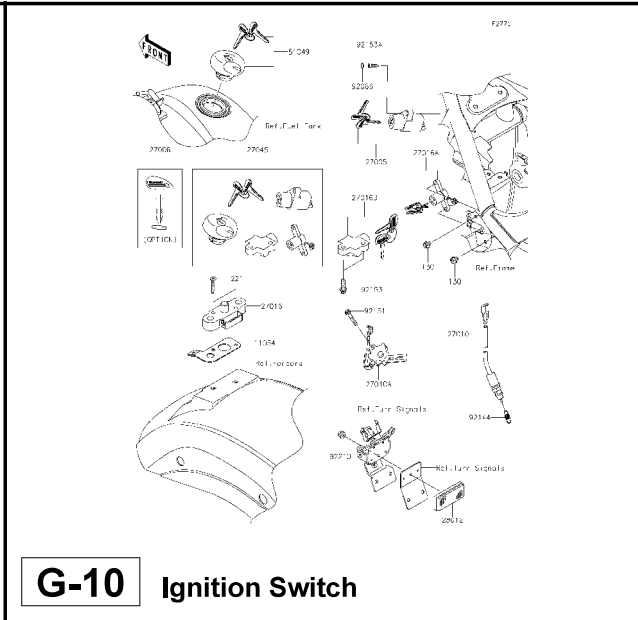


This catalog covers:
'12~'15 VN900 BCFA/BDF/BEF/BFF Chassis

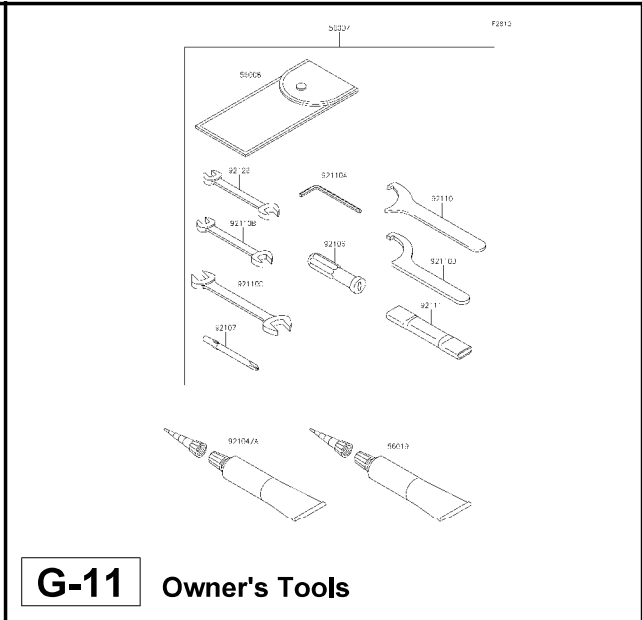
GRID NO. This grid covers:
G-2 Pictorial Index



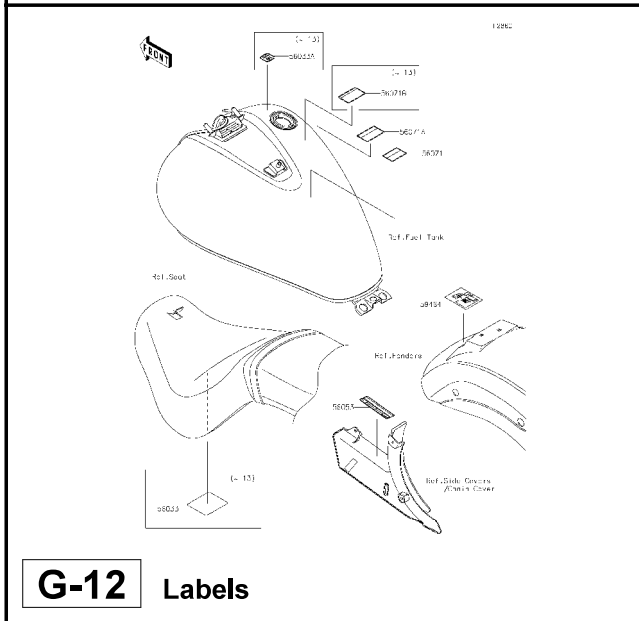
G-9 Chassis Electrical Equipment



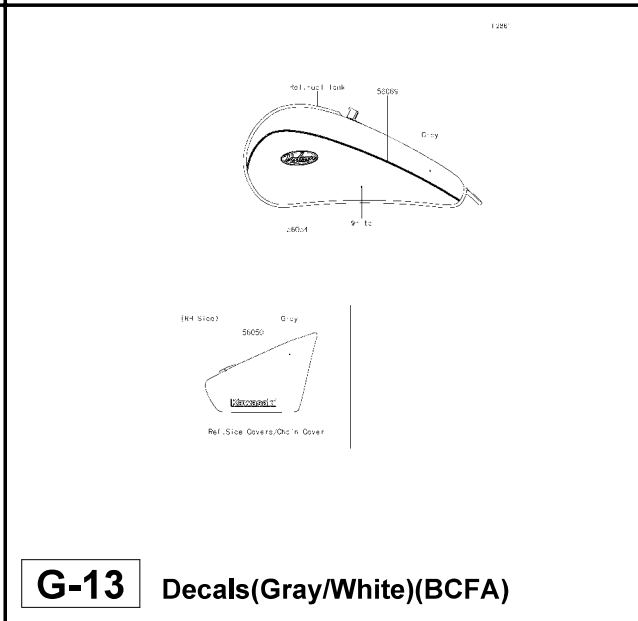
G-10 Ignition Switch



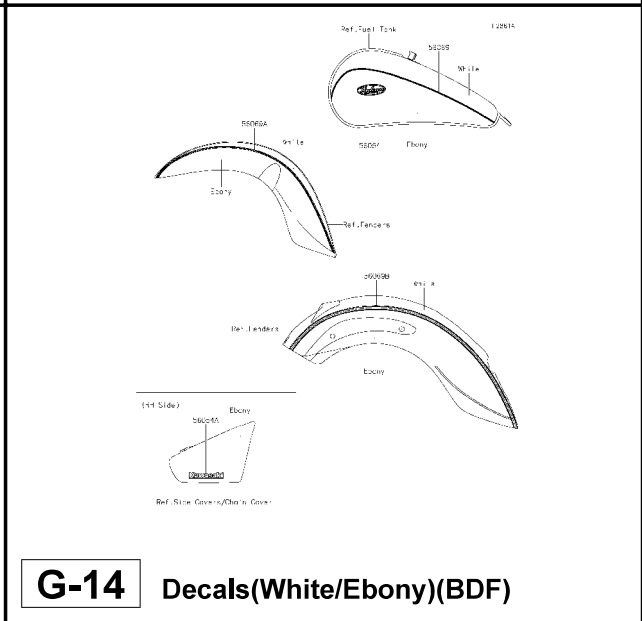
G-11 Owner's Tools



G-12 Labels



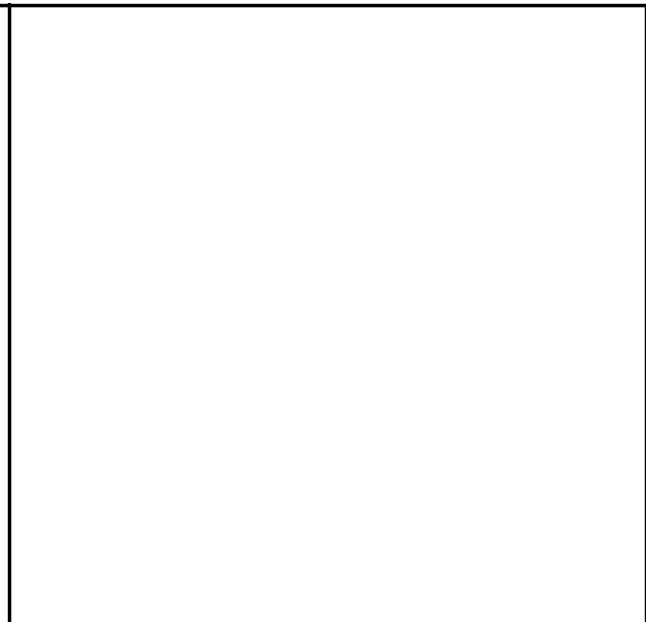
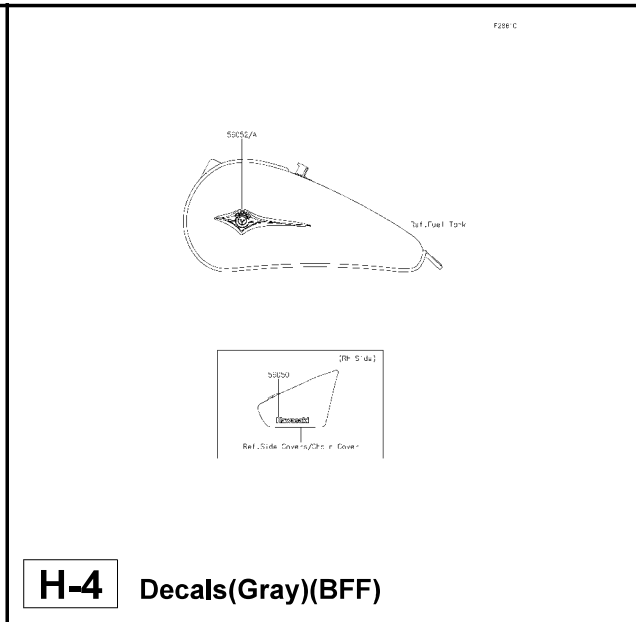
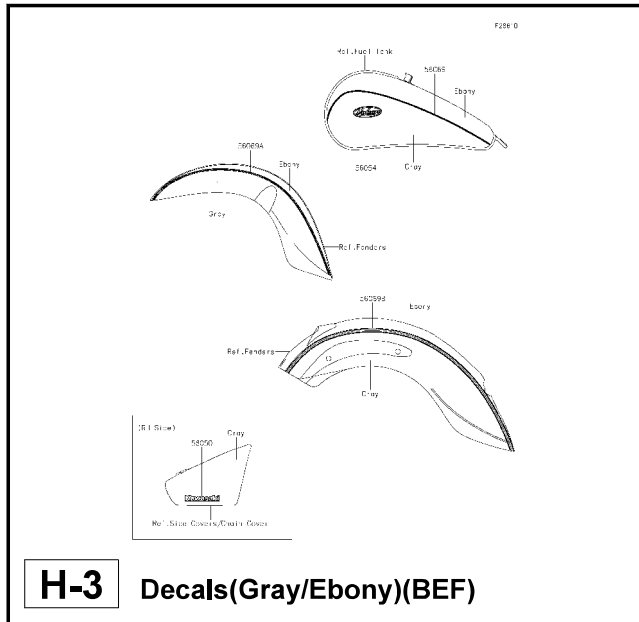
G-13 Decals(Gray/White)(BCFA)



G-14 Decals(White/Ebony)(BDF)

This catalog covers:
'12~'15 VN900 BCFA/BDF/BEF/BFF Chassis

GRID NO. **H-1** This grid covers:
Pictorial Index



This catalog covers:

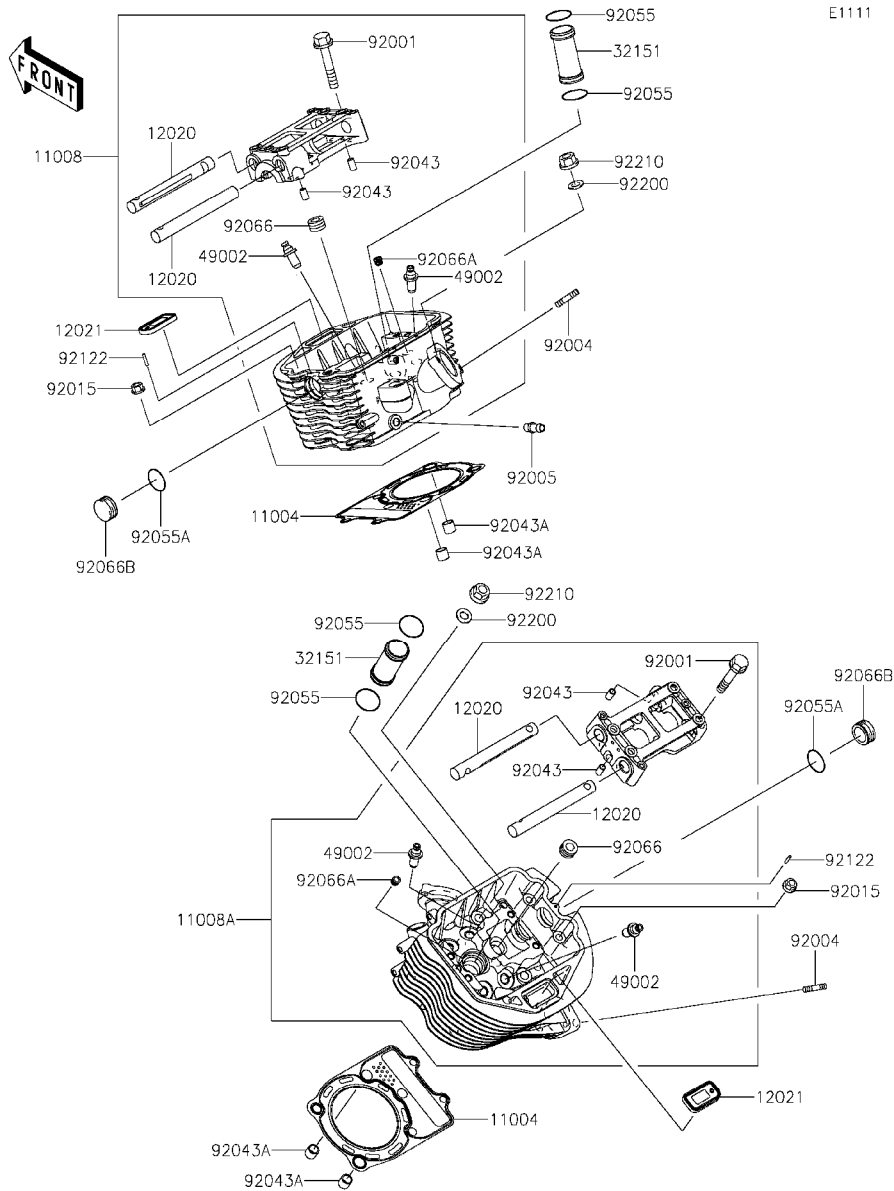
'12~'15 VN900 BCFA/BDF/BEF/BFF Engine

GRID NO.

B-3

This grid covers:

Cylinder Head



E1111

Ref. No.	Part No.	Description	Spec Code	Quantity-VN900			
				'12	'13	'14	'15
				BCFA	BDF	BEF	BFF
11004	11004-0062	GASKET-HEAD	2	2	2	2	
11008	11008-0102	HEAD-COMP-CYLINDER,FR	1	1	1	1	
11008A	11008-0103	HEAD-COMP-CYLINDER,RR	1	1	1	1	
12020	12020-1070	SHAFT-ROCKER	4	4	4	4	
12021	12021-0017	VALVE-ASSY-REED	2	2	2	2	
32151	32151-1893	PIPE,PLUG	2	2	2	2	
49002	49002-1097	GUIDE-VALVE	8	8	8	8	
92001	92001-1005	BOLT,FLANGED,8X58	8	8	8	8	
92004	92004-1217	STUD,8X22	4	4	4	4	
92005	92005-1161	FITTING,BREATHER PIPE	1	1	1	1	
92015	92015-1406	NUT,FLANGED,8MM	4	4	4	4	
92043	92043-1263	PIN,6.2X8X14	4	4	4	4	
92043A	92043-1266	PIN,11X14X12,3	4	4	4	4	
92055	92055-0096	RING-O,27.7X1,9	4	4	4	4	
92055A	92055-0097	RING-O,24.5X2,0	2	2	2	2	
92066	92066-0002	PLUG,PT1/2X12.5	2	2	2	2	
92066A	92066-1260	PLUG,PT1/4X8.9	2	2	2	2	
92066B	92066-1462	PLUG,CAM HOLE	2	2	2	2	
92122	92122-1126	ROLLER,3X15.8	2	2	2	2	
92200	92200-0313	WASHER,10.5X20.5X1.6	8	8	8	8	
92210	92210-0269	NUT,FLANGED,M10X1.25	8	8	8	8	

This catalog covers:

'12~'15 VN900 BCFA/BDF/BEF/BFF Engine

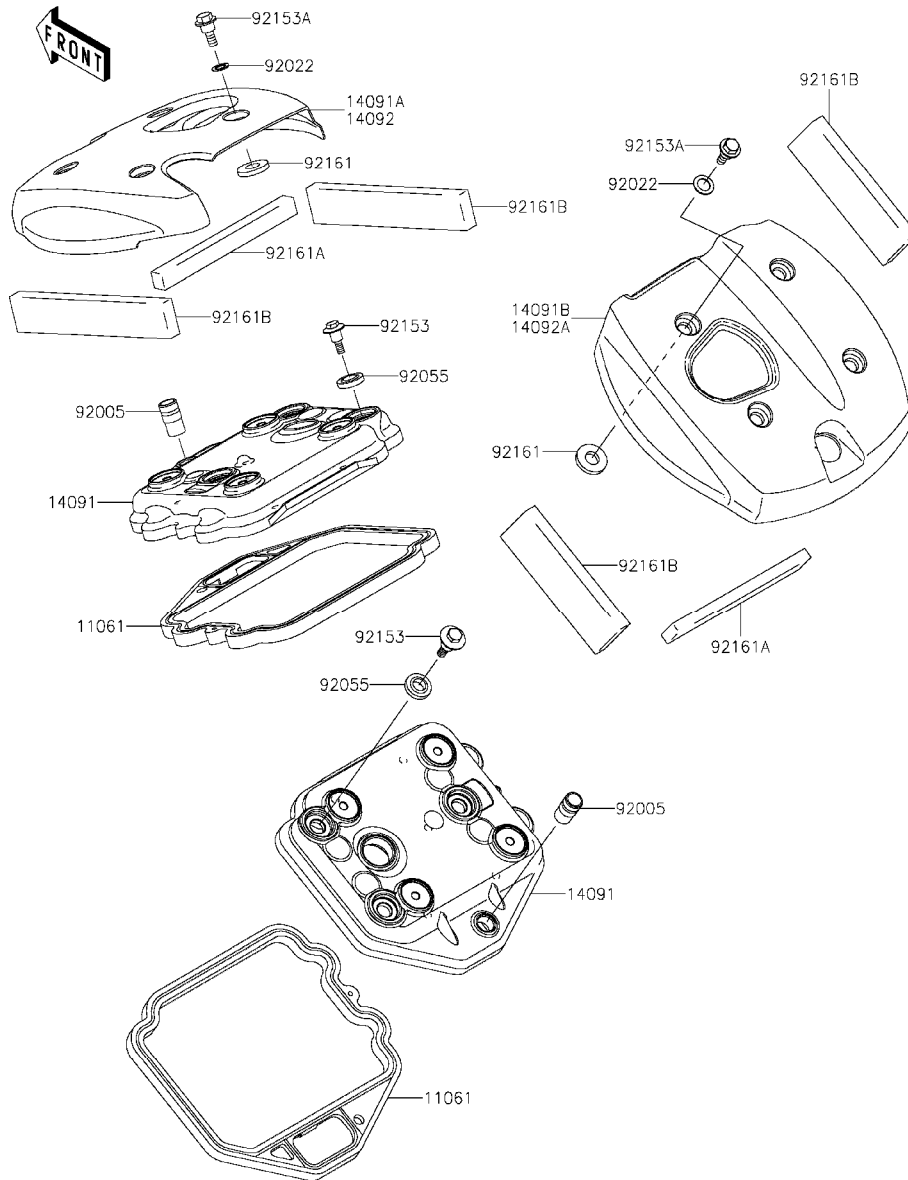
GRID NO.

B-4

This grid covers:

Cylinder Head Cover

E1112



Ref. No.	Part No.	Description	Spec Code	Quantity-VN900			
				'12	'13	'14	'15
				BCFA	BDF	BEF	BFF
11061	11061-0261	GASKET,HEAD COVER	2	2	2	2	
14091	14091-0506	COVER,HEAD	2	2	2	2	
14091A	14091-0507	COVER,TOP,FR				1	
14091B	14091-0508	COVER,TOP,RR				1	
14092	14092-0915	COVER,TOP,FR	1	1	1		
14092A	14092-0916	COVER,TOP,RR	1	1	1		
92005	92005-0052	FITTING	2	2	2	2	
92022	92022-1829	WASHER,10.2X16X1	8	8	8	8	
92055	92055-1352	RING-O,HEAD COVER BOLT	6	6	6	6	
92153	92153-0793	BOLT,HEAD COVER	6	6	6	6	
92153A	92153-1400	BOLT,FLANGED,6X19	8	8	8	8	
92161	92161-0366	DAMPER	8	8	8	8	
92161A	92161-0736	DAMPER	2	2	2	2	
92161B	92161-0737	DAMPER	4	4	4	4	

This catalog covers:

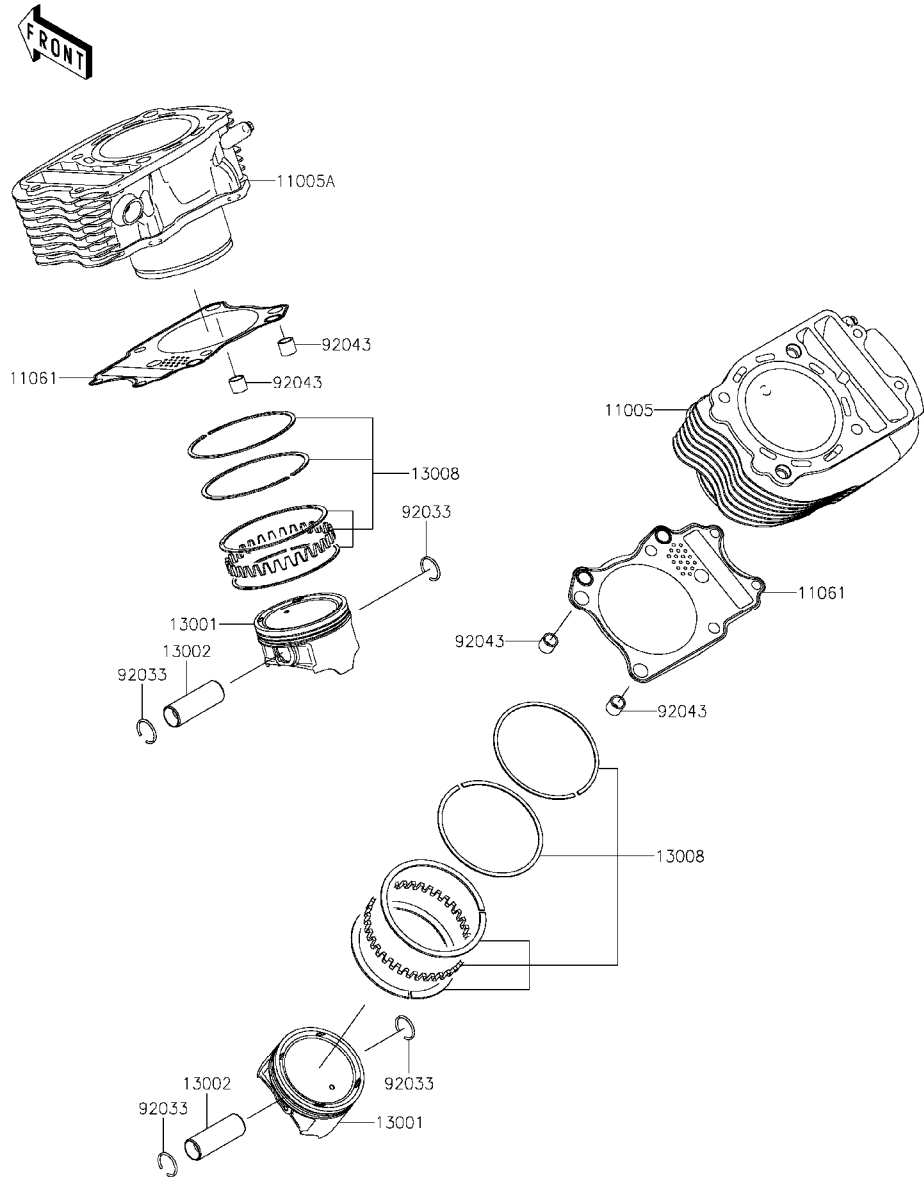
'12~'15 VN900 BCFA/BDF/BEF/BFF Engine

GRID NO.

B-5

This grid covers:

Cylinder/Piston(s)



E1120

Ref. No.	Part No.	Description	Spec Code	Quantity-VN900				
				'12	'13	'14	'15	
				BCFA	BDF	BEF	BFF	
11005	11005-0062	CYLINDER-ENGINE,RR	1	1	1	1		
11005A	11005-0085	CYLINDER-ENGINE,FR	1	1	1	1		
11061	11061-0284	GASKET,CYLINDER BASE	2	2	2	2		
13001	13001-0067	PISTON-ENGINE	2	2	2	2		
13002	13002-0011	PIN-PISTON	2	2	2	2		
13008	13008-0021	RING-SET-PISTON	2	2	2	2		
92033	92033-1188	RING-SNAP	4	4	4	4		
92043	92043-1266	PIN,11X14X12.3	4	4	4	4		

This catalog covers:

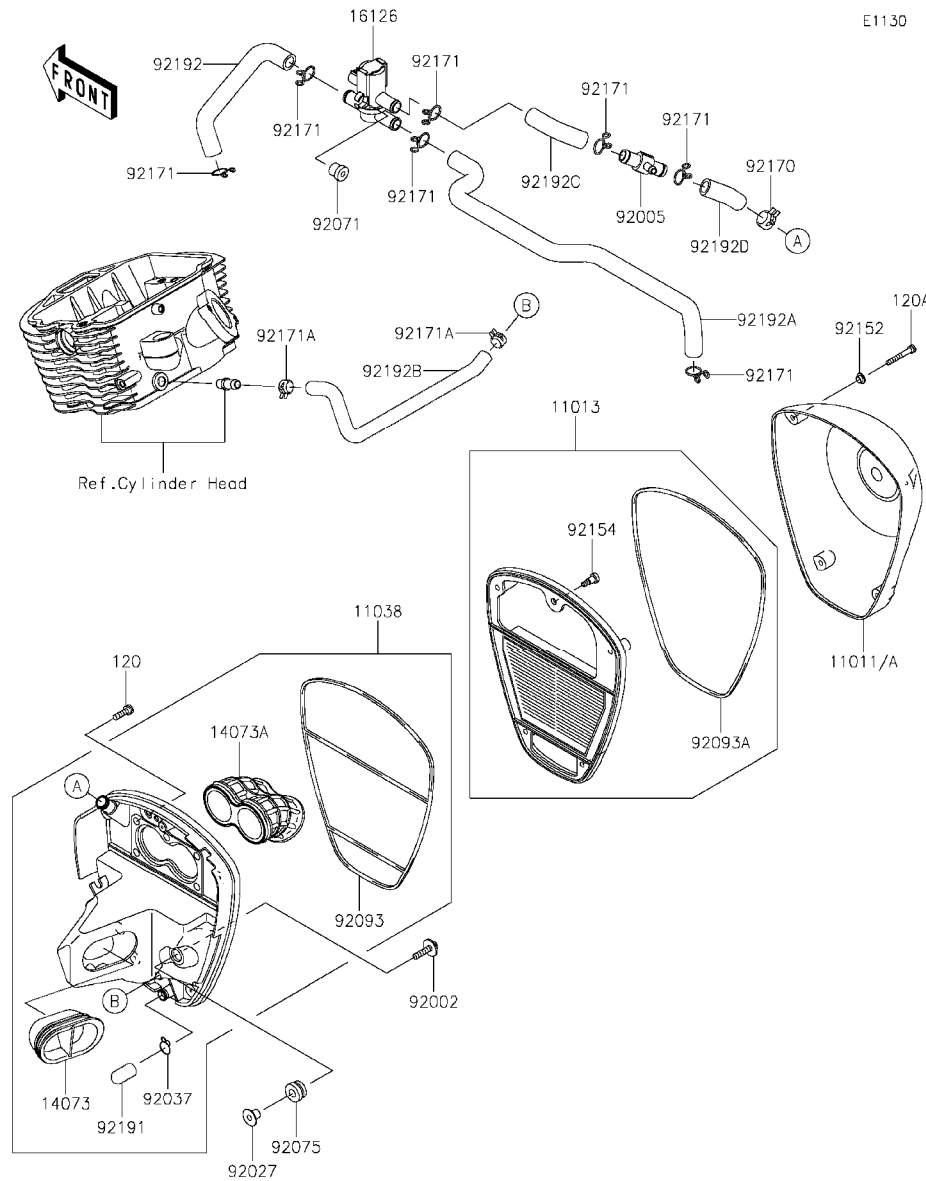
'12~'15 VN900 BCFA/BDF/BEF/BFF Engine

GRID NO.

B-6

This grid covers:

Air Cleaner



E1130

Ref. No.	Part No.	Description	Spec Code	Quantity-VN900			
				'12	'13	'14	'15
				BCFA	BDF	BEF	BFF
11011	11011-0080	CASE-AIR FILTER					1
11011A	11011-0142	CASE-AIR FILTER		1	1	1	1
11013	11013-0015	ELEMENT-AIR FILTER		1	1	1	1
11038	11038-0015	CASE-ASSY-AIR FILTER		1	1	1	1
14073	14073-0103	DUCT,INTAKE		1	1	1	1
14073A	14073-0104	DUCT,THROTTLE BODY		1	1	1	1
16126	16126-1437	VALVE,AIR SWITCHING		1	1	1	1
92002	92002-1135	BOLT,6X25		2	2	2	2
92005	92005-0054	FITTING		1	1	1	1
92027	92027-1062	COLLAR,L=12		2	2	2	2
92037	92037-1900	CLAMP,14.5MM		1	1	1	1
92071	92071-0026	GROMMET		1	1	1	1
92075	92075-1123	DAMPER,RUBBER		2	2	2	2
92093	92093-0054	SEAL		1	1	1	1
92093A	92093-0057	SEAL		1	1	1	1
92152	92152-0451	COLLAR		4	4	4	4
92154	92154-0120	BOLT,SOCKET,5X16.5		1	1	1	1
92170	92170-1989	CLAMP		1	1	1	1
92171	92171-0790	CLAMP		7	7	7	7
92171A	92171-1441	CLAMP		2	2	2	2
92191	92191-1704	TUBE		1	1	1	1
92192	92192-0266	TUBE,ASV-FR HEAD		1	1	1	1
92192A	92192-0267	TUBE,ASV-RR HEAD		1	1	1	1
92192B	92192-0269	TUBE,BLOWBY		1	1	1	1
92192C	92192-0345	TUBE,ASV-FITTING		1	1	1	1
92192D	92192-0510	TUBE,A/C-FITTING		1	1	1	1
120	120CA0618	BOLT-SOCKET,6X18		5	5	5	5
120A	120CC0535	BOLT-SOCKET,5X35		4	4	4	4

This catalog covers:

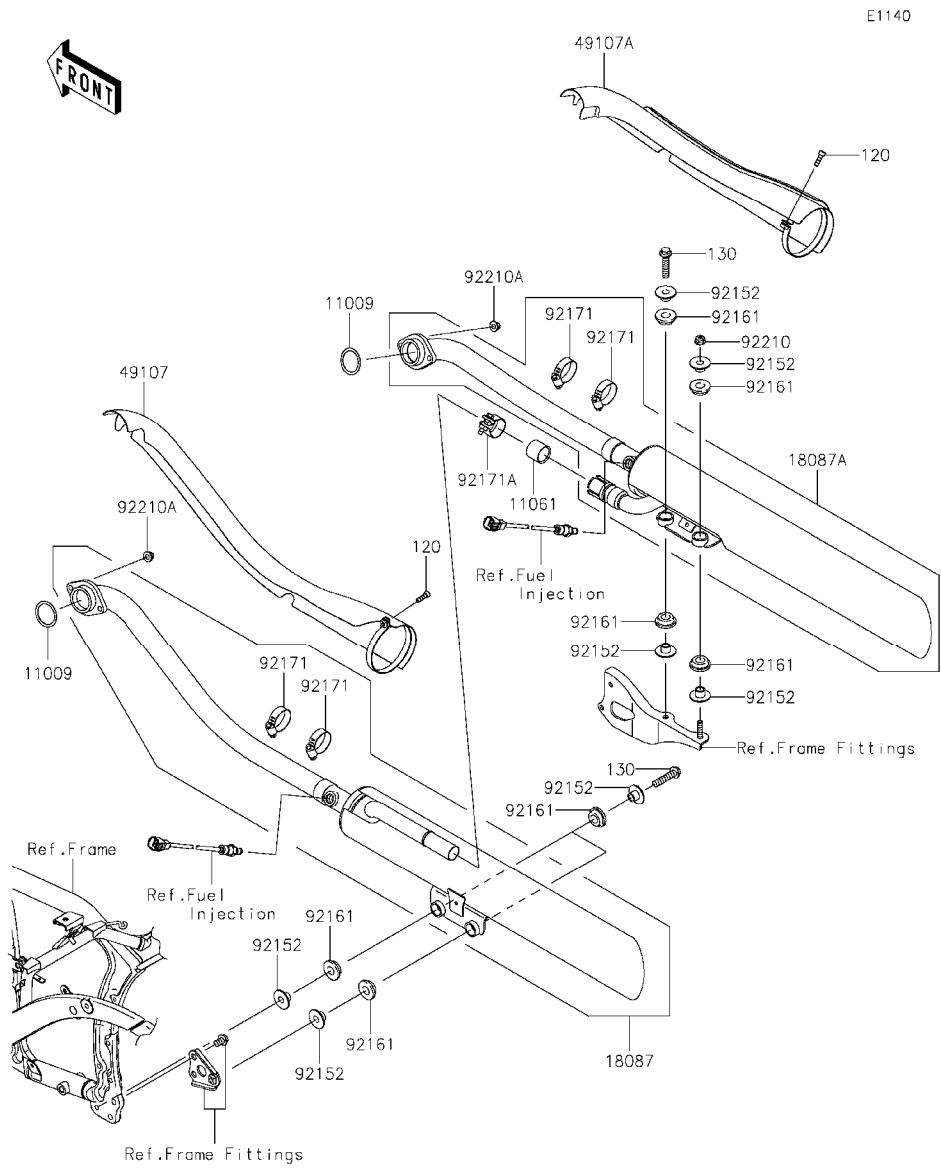
'12~'15 VN900 BCFA/BDF/BEF/BFF Engine

GRID NO.

B-7

This grid covers:

Muffler(s)



Ref. No.	Part No.	Description	Spec Code	Quantity-VN900			
				'12	'13	'14	'15
				BCFA	BDF	BEF	BFF
11009	11009-1856	GASKET,EXHAUST PIPE HOLDER		2	2	2	2
11061	11061-0207	GASKET,MUFFLER JOINT		1	1	1	1
18087	18087-0283	MUFFLER,FR		1	1	1	1
18087A	18087-0284	MUFFLER,RR		1	1	1	1
49107	49107-0087	COVER-EXHAUST PIPE,FR		1	1	1	1
49107A	49107-0106	COVER-EXHAUST PIPE,RR		1	1	1	1
92152	92152-0082	COLLAR,8.8X12X10.6		8	8	8	8
92161	92161-0135	DAMPER		8	8	8	8
92171	92171-0059	CLAMP		4	4	4	4
92171A	92171-0593	CLAMP		1	1	1	1
92210	92210-0004	NUT,FLANGED,8MM		1	1	1	1
92210A	92210-1132	NUT,CAP,8MM		4	4	4	4
120	120CC0620	BOLT-SOCKET,6X20		2	2	2	2
130	130BB0835	BOLT-FLANGED,8X35		3	3	3	3

This catalog covers:

'12~'15 VN900 BCFA/BDF/BEF/BFF Engine

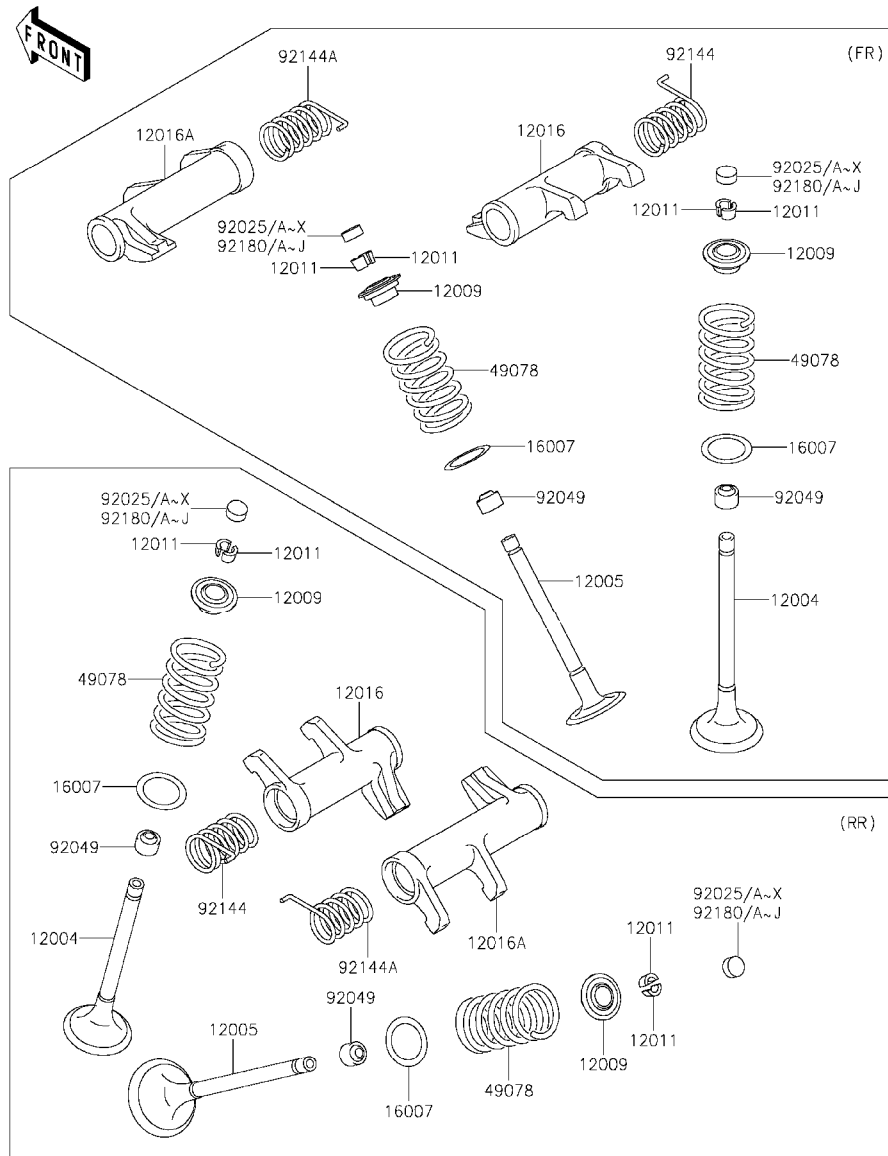
GRID NO.

B-8

This grid covers:

Valve(s)(1/2)

E1210



Ref. No.	Part No.	Description	Spec Code	Quantity-VN900			
				'12	'13	'14	'15
				BCFA	BDF	BEF	BFF
12004	12004-1139	VALVE-INTAKE		4	4	4	4
12005	12005-1225	VALVE-EXHAUST		4	4	4	4
12009	12009-3701	RETAINER-VALVE SPRING		8	8	8	8
12011	12011-1051	COLLET		16	16	16	16
12016	12016-0019	ARM-ROCKER,INTAKE		2	2	2	2
12016A	12016-0020	ARM-ROCKER,EXHAUST		2	2	2	2
16007	16007-1178	SEAT-SPRING,17.5X23.8X0.5		8	8	8	8
49078	49078-1090	SPRING-ENGINE VALVE,OUTER		8	8	8	8
92025	92025-1870	SHIM,T=2.00		AR	AR	AR	AR
92025A	92025-1871	SHIM,T=2.05		AR	AR	AR	AR
92025B	92025-1872	SHIM,T=2.10		AR	AR	AR	AR
92025C	92025-1873	SHIM,T=2.15		AR	AR	AR	AR
92025D	92025-1874	SHIM,T=2.20		AR	AR	AR	AR
92025E	92025-1875	SHIM,T=2.25		AR	AR	AR	AR
92025F	92025-1876	SHIM,T=2.30		AR	AR	AR	AR
92025G	92025-1877	SHIM,T=2.35		AR	AR	AR	AR
92025H	92025-1878	SHIM,T=2.40		8	8	8	8
92025I	92025-1879	SHIM,T=2.45		AR	AR	AR	AR
92025J	92025-1880	SHIM,T=2.50		AR	AR	AR	AR
92025K	92025-1881	SHIM,T=2.55		AR	AR	AR	AR
92025L	92025-1882	SHIM,T=2.60		AR	AR	AR	AR
92025M	92025-1883	SHIM,T=2.65		AR	AR	AR	AR
92025N	92025-1884	SHIM,T=2.70		AR	AR	AR	AR
92025O	92025-1885	SHIM,T=2.75		AR	AR	AR	AR
92025P	92025-1886	SHIM,T=2.80		AR	AR	AR	AR
92025Q	92025-1887	SHIM,T=2.85		AR	AR	AR	AR
92025R	92025-1888	SHIM,T=2.90		AR	AR	AR	AR
92025S	92025-1889	SHIM,T=2.95		AR	AR	AR	AR
92025T	92025-1890	SHIM,T=3.00		AR	AR	AR	AR
92025U	92025-1982	SHIM,T=2.425		AR	AR	AR	AR
92025V	92025-1983	SHIM,T=2.475		AR	AR	AR	AR
92025W	92025-1984	SHIM,T=2.525		AR	AR	AR	AR
92025X	92025-1985	SHIM,T=2.575		AR	AR	AR	AR
92049	92049-1218	SEAL-OIL,VSB58,558		8	8	8	8
92144	92144-1899	SPRING,ROCKER ARM,INTAKE		2	2	2	2
92144A	92144-1900	SPRING,ROCKER ARM,EXHAUST		2	2	2	2
92180	92180-1058	SHIM,T=2.375		AR	AR	AR	AR
92180A	92180-1059	SHIM,T=2.625		AR	AR	AR	AR
92180B	92180-1194	SHIM,T=2.675		AR	AR	AR	AR
92180C	92180-1195	SHIM,T=2.725		AR	AR	AR	AR

This catalog covers:

'12~'15 VN900 BCFA/BDF/BEF/BFF Engine

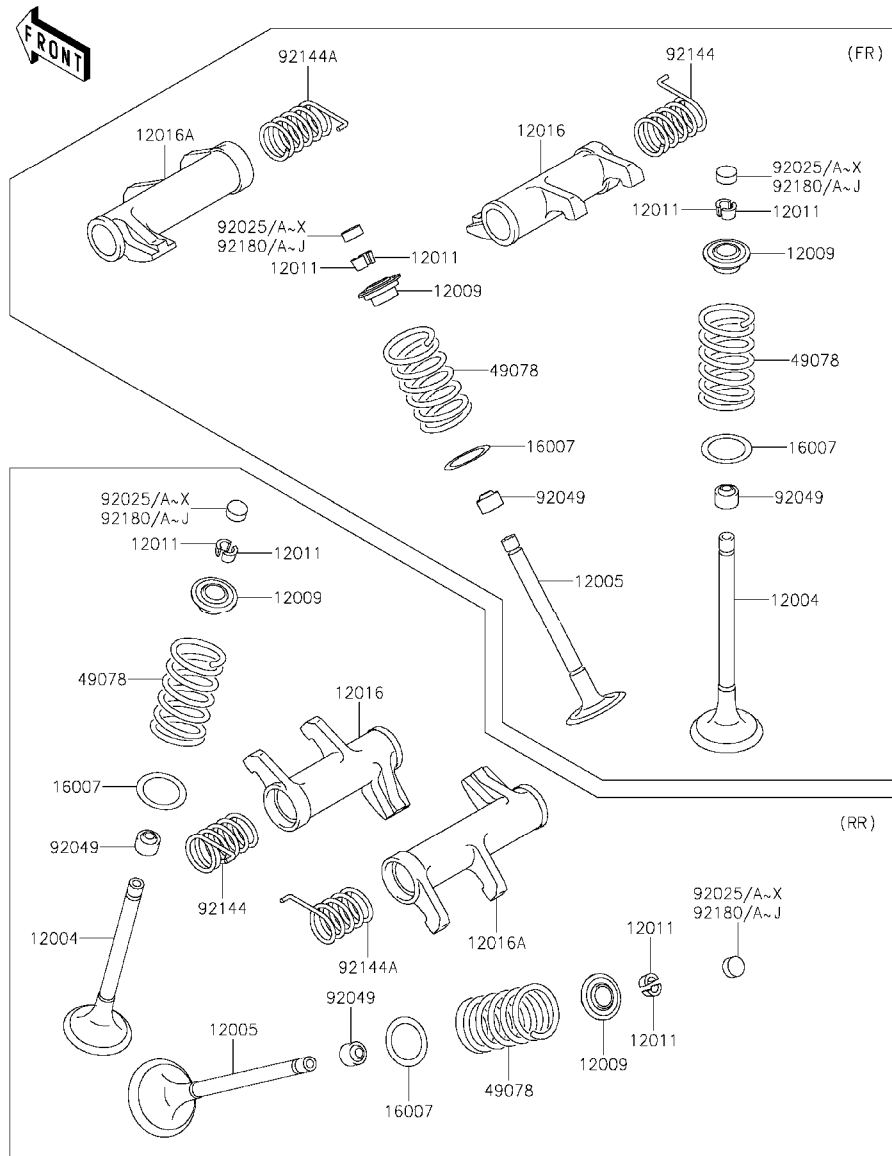
GRID NO.

B-9

This grid covers:

Valve(s)(2/2)

E1210



Ref. No.	Part No.	Description	Spec Code	Quantity-VN900			
				'12 BCFA	'13 BDF	'14 BEF	'15 BFF
92180D	92180-1196	SHIM,T=2.775	AR	AR	AR	AR	
92180E	92180-1208	SHIM,T=1.95	AR	AR	AR	AR	
92180F	92180-1209	SHIM,T=1.90	AR	AR	AR	AR	
92180G	92180-1210	SHIM,T=1.85	AR	AR	AR	AR	
92180H	92180-1211	SHIM,T=1.80	AR	AR	AR	AR	
92180I	92180-1212	SHIM,T=1.75	AR	AR	AR	AR	
92180J	92180-1213	SHIM,T=1.70	AR	AR	AR	AR	

This catalog covers:

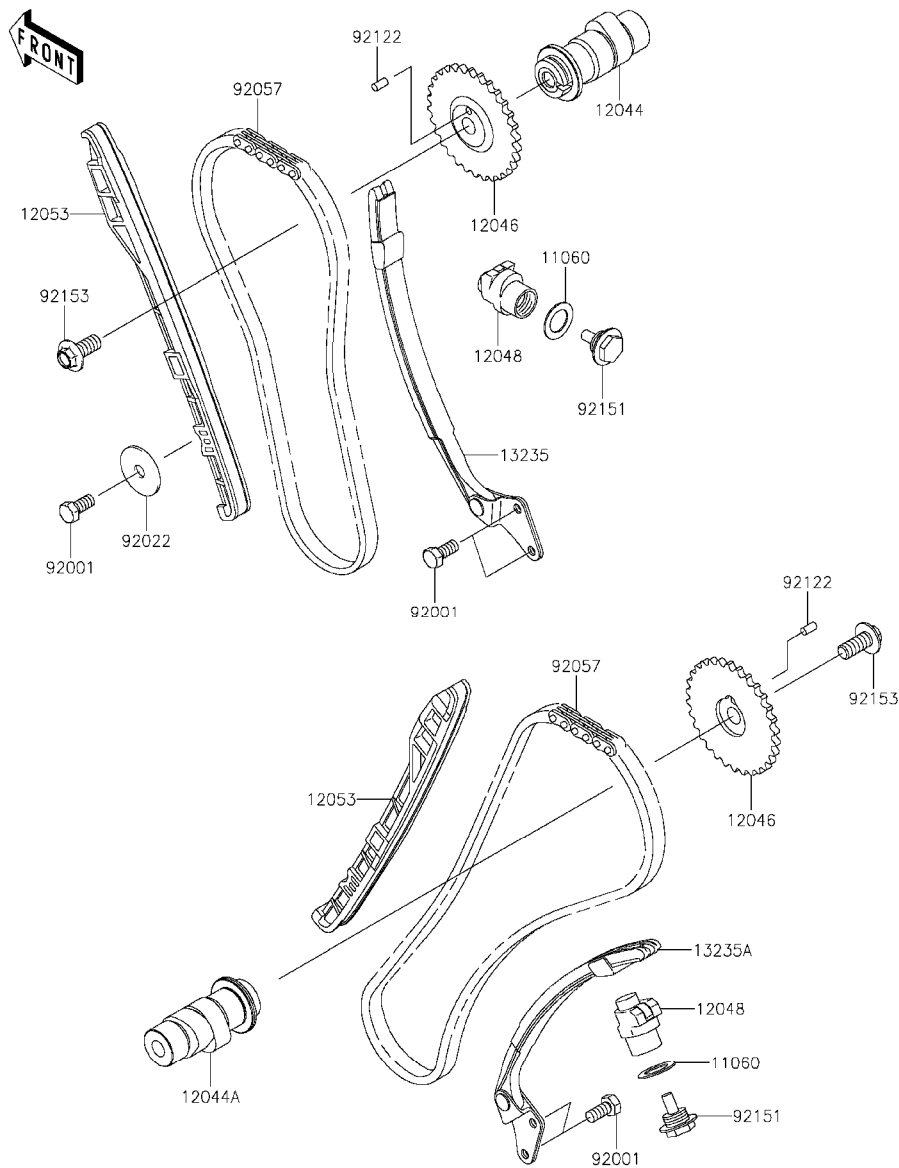
'12~'15 VN900 BCFA/BDF/BEF/BFF Engine

GRID NO.

B-10

This grid covers:

Camshaft(s)/Tensioner



E1230

Ref. No.	Part No.	Description	Spec Code	Quantity-VN900			
				'12	'13	'14	'15
				BCFA	BDF	BEF	BFF
11060	11060-1682	GASKET,TENSIONER	2	2	2	2	
12044	12044-0097	CAMSHAFT-VALVE,FR	1	1	1	1	
12044A	12044-0098	CAMSHAFT-VALVE,RR	1	1	1	1	
12046	12046-1171	SPROCKET	2	2	2	2	
12048	12048-1145	TENSIONER-ASSY	2	2	2	2	
12053	12053-1354	GUIDE-CHAIN	2	2	2	2	
13235	13235-1067	GUIDE-COMP,FR	1	1	1	1	
13235A	13235-1068	GUIDE-COMP,RR	1	1	1	1	
92001	92001-1457	BOLT,6X16	5	5	5	5	
92022	92022-227	WASHER,7X27X1.6	1	1	1	1	
92057	92057-1403	CHAIN,CAM	2	2	2	2	
92122	92122-1197	ROLLER,4X9.8	2	2	2	2	
92151	92151-1136	BOLT,TENSIONER	2	2	2	2	
92153	92153-1663	BOLT	2	2	2	2	

This catalog covers:

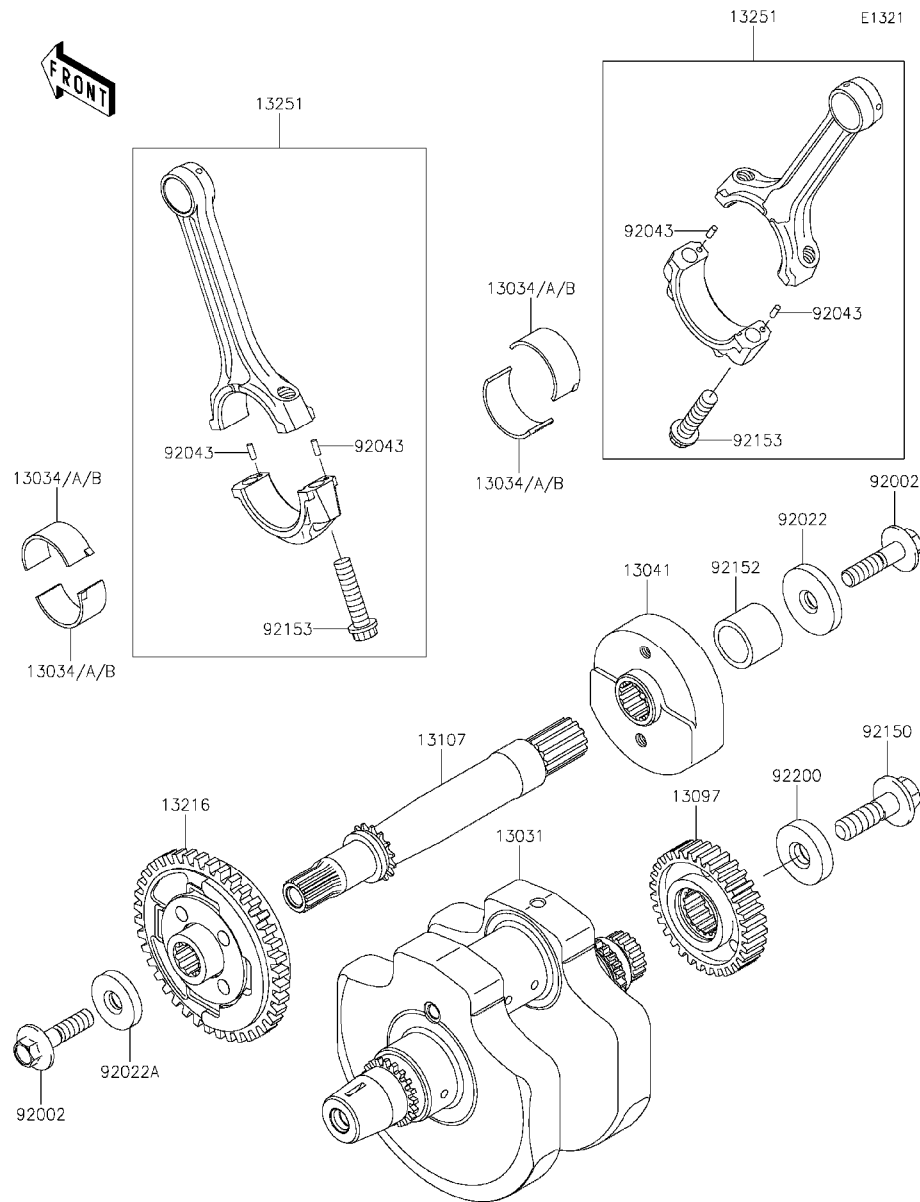
'12~'15 VN900 BCFA/BDF/BEF/BFF Engine

GRID NO.

B-11

This grid covers:

Crankshaft



Ref. No.	Part No.	Description	Spec Code	Quantity-VN900			
				'12	'13	'14	'15
				BCFA	BDF	BEF	BFF
13031	13031-0058	CRANKSHAFT-COMP	1	1	1	1	
13034	13034-1057	METAL,CONNECTING ROD,BLUE	AR	AR	AR	AR	
13034A	13034-1058	METAL,CONNECTING ROD,BLACK	AR	AR	AR	AR	
13034B	13034-1059	METAL,CONNECTING ROD,BROWN	AR	AR	AR	AR	
13041	13041-0009	BALANCER,RH	1	1	1	1	
13097	13097-0050	GEAR-PRIMARY SPUR,38T	1	1	1	1	
13107	13107-0115	SHAFT,BALANCER	1	1	1	1	
13216	13216-0016	GEAR-COMP,BALANCER,LH	1	1	1	1	
13251	13251-0016-JJ	ROD-ASSY-CONNECTING,J	2	2	2	2	
92002	92002-1296	BOLT,FLANGED,10X40	2	2	2	2	
92022	92022-1905	WASHER,10X40X6	1	1	1	1	
92022A	92022-1906	WASHER,10X33X6	1	1	1	1	
92043	92043-0033	PIN,3X8,5	4	4	4	4	
92150	92150-1717	BOLT,12X40	1	1	1	1	
92152	92152-0358	COLLAR,23X30X23	1	1	1	1	
92153	92153-1330	BOLT,CON-ROD,9X38	4	4	4	4	
92200	92200-1249	WASHER,12X36X8	1	1	1	1	

This catalog covers:

'12~'15 VN900 BCFA/BDF/BEF/BFF Engine

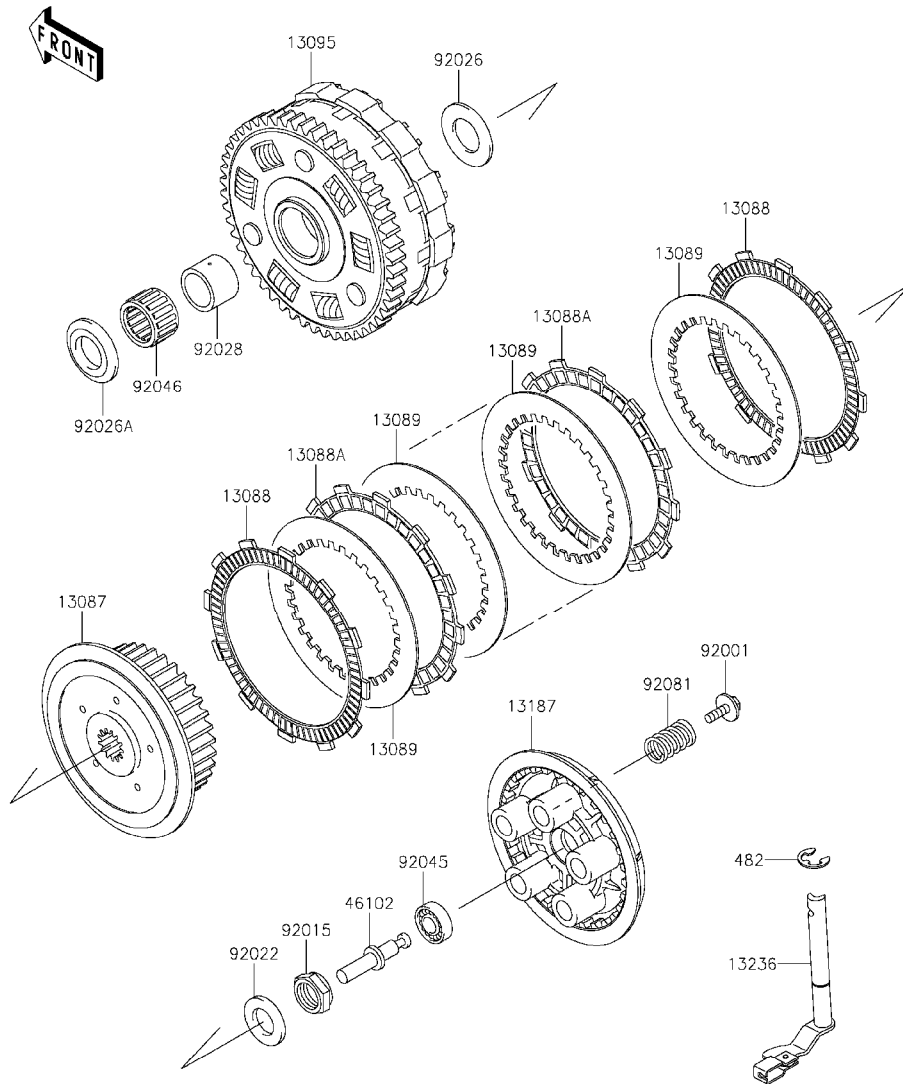
GRID NO.

B-12

This grid covers:

Clutch

E1350



Ref. No.	Part No.	Description	Spec Code	Quantity-VN900			
				'12	'13	'14	'15
				BCFA	BDF	BEF	BFF
13087	13087-0042	HUB-CLUTCH	1	1	1	1	
13088	13088-0023	PLATE-FRICTION	2	2	2	2	
13088A	13088-1133	PLATE-FRICTION	6	6	6	6	
13089	13089-027	PLATE-CLUTCH	7	7	7	7	
13095	13095-0092	HOUSING-COMP-CLUTCH	1	1	1	1	
13187	13187-1006	PLATE-CLUTCH OPERATING	1	1	1	1	
13236	13236-1269	LEVER-COMP, CLUTCH RELEASE	1	1	1	1	
46102	46102-1374	ROD, PULL	1	1	1	1	
92001	92001-1066	BOLT, FLANGED, 6X18	5	5	5	5	
92015	92015-1555	NUT, 20MM	1	1	1	1	
92022	92022-1868	WASHER, 20.3X36X3.7	1	1	1	1	
92026	92026-022	SPACER, 25.5X47X2.5	1	1	1	1	
92026A	92026-116	SPACER, THRUST, T=5.5	1	1	1	1	
92028	92028-178	BUSHING, 25X32X23.6	1	1	1	1	
92045	92045-1235	BEARING-BALL, 6001C3ML01	1	1	1	1	
92046	92046-028	BEARING-NEEDLE, KTV323723	1	1	1	1	
92081	92081-1033	SPRING, CLUTCH	5	5	5	5	
482	482J0100	CIRCLIP-TYPE-E, 10MM	1	1	1	1	

This catalog covers:

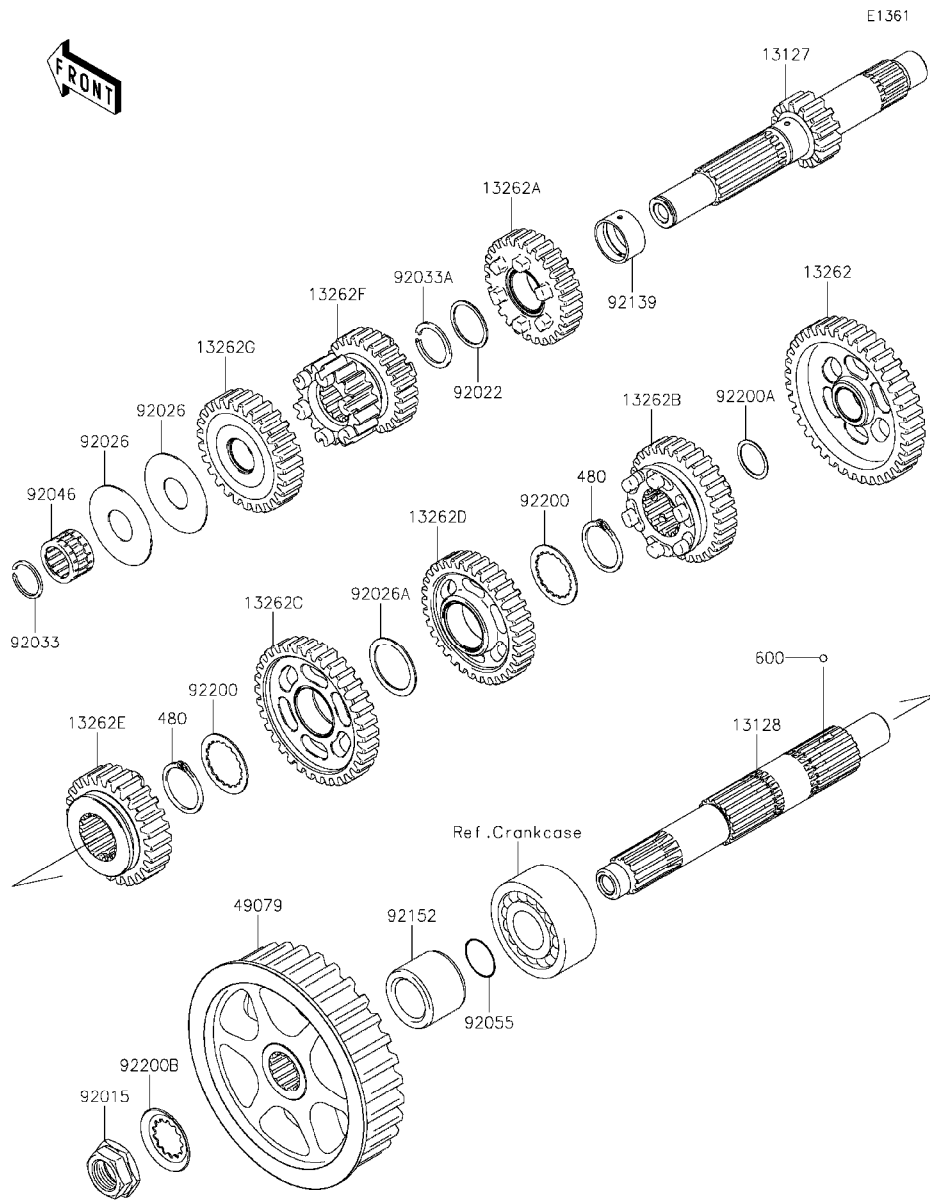
'12~'15 VN900 BCFA/BDF/BEF/BFF Engine

GRID NO.

B-13

This grid covers:

Transmission



Ref. No.	Part No.	Description	Spec Code	Quantity-VN900			
				'12	'13	'14	'15
				BCFA	BDF	BEF	BFF
13127	13127-0038	SHAFT-TRANSMISSION INPUT,14T		1	1	1	1
13128	13128-0025	SHAFT-TRANSMISSION OUTPUT		1	1	1	1
13262	13262-0419	GEAR,OUTPUT LOW,39T		1	1	1	1
13262A	13262-0496	GEAR,INPUT 4TH,28T		1	1	1	1
13262B	13262-0497	GEAR,OUTPUT 4TH,31T		1	1	1	1
13262C	13262-0699	GEAR,OUTPUT 2ND,34T		1	1	1	1
13262D	13262-0700	GEAR,OUTPUT 3RD,34T		1	1	1	1
13262E	13262-0701	GEAR,OUTPUT 5TH,26T		1	1	1	1
13262F	13262-0702	GEAR,INPUT 2ND&3RD,18T&25T		1	1	1	1
13262G	13262-0703	GEAR,INPUT 5TH,27T		1	1	1	1
49079	49079-0016	PULLEY-BELT		1	1	1	1
92015	92015-1963	NUT,20MM		1	1	1	1
92022	92022-161	WASHER,25,3X30X1		1	1	1	1
92026	92026-0102	SPACER,20X51X1		2	2	2	2
92026A	92026-079	SPACER,30X38X1.0		1	1	1	1
92033	92033-015	RING-SNAP,20MM		1	1	1	1
92033A	92033-026	RING-SNAP,24MM		1	1	1	1
92046	92046-1303	BEARING-NEEDLE,PK20X27X17X3		1	1	1	1
92055	92055-035	RING-O		1	1	1	1
92139	92139-0186	BUSHING,4TH GEAR		1	1	1	1
92152	92152-0335	COLLAR		1	1	1	1
92200	92200-0222	WASHER,30,3X38X1.0		2	2	2	2
92200A	92200-0291	WASHER,20,2X25.0X0.5		1	1	1	1
92200B	92200-1065	WASHER		1	1	1	1
480	480J2900	CIRCLIP		2	2	2	2
600	600A0500	BALL-STEEL,5/32		3	3	3	3

This catalog covers:

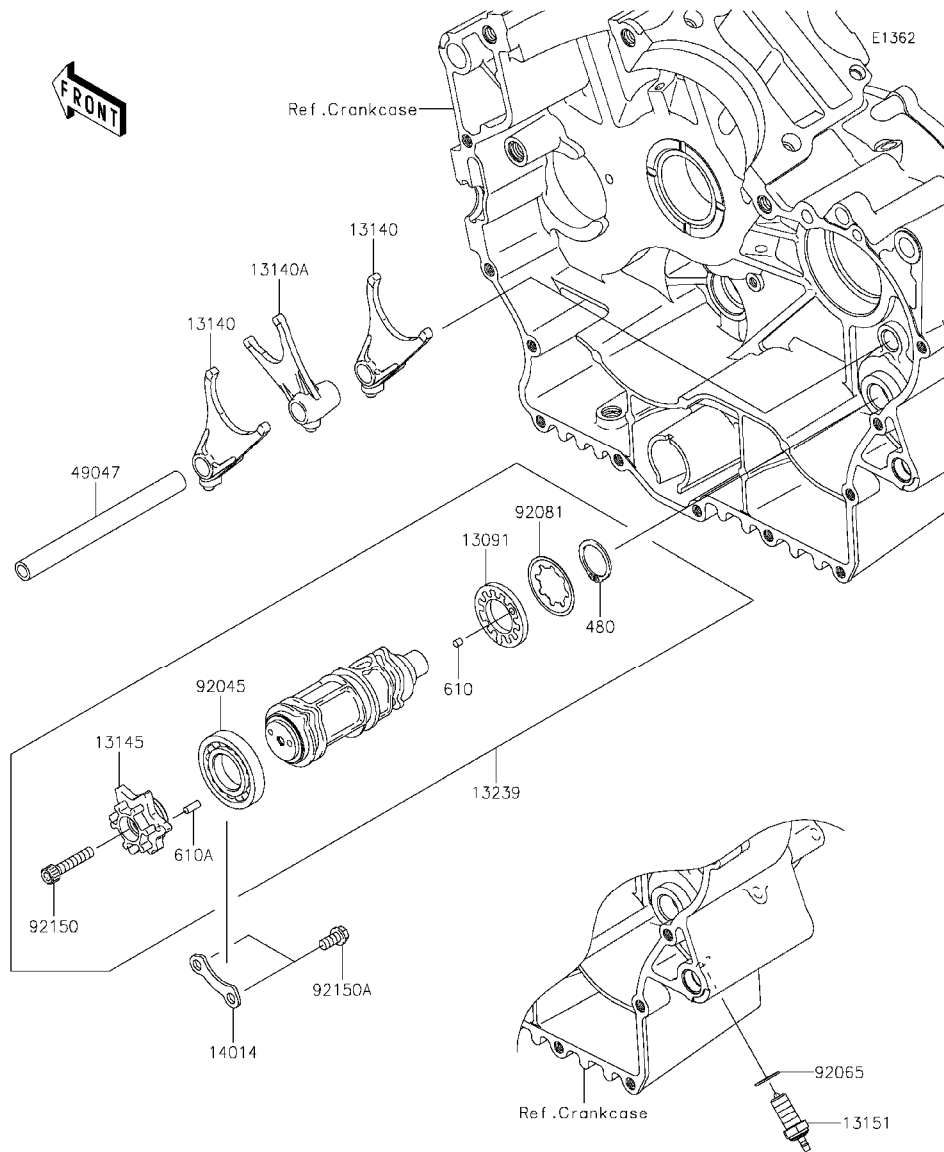
'12~'15 VN900 BCFA/BDF/BEF/BFF Engine

GRID NO.

B-14

This grid covers:

Gear Change Drum/Shift Fork(s)



Ref. No.	Part No.	Description	Spec Code	Quantity-VN900			
				'12	'13	'14	'15
				BCFA	BDF	BEF	BFF
13091	13091-1389	HOLDER,CHANGE DRUM		1	1	1	1
13140	13140-0031	FORK-SHIFT		2	2	2	2
13140A	13140-1138	FORK-SHIFT		1	1	1	1
13145	13145-0028	CAM-CHANGE DRUM		1	1	1	1
13151	13151-1085	SWITCH-COMP		1	1	1	1
13239	13239-0018	DRUM-ASSY-CHANGE		1	1	1	1
14014	14014-1014	PLATE-POSITION		1	1	1	1
49047	49047-0036	ROD-SHIFT		1	1	1	1
92045	92045-1045	BEARING-BALL,16005		1	1	1	1
92065	92065-058	GASKET,10.5X16X1		1	1	1	1
92081	92081-1895	SPRING		1	1	1	1
92150	92150-1433	BOLT,SOCKET,6X30		1	1	1	1
92150A	92150-1868	BOLT,6X12		2	2	2	2
480	480J2200	CIRCLIP-TYPE-C,22MM		1	1	1	1
610	610A0404	ROLLER,4X4		1	1	1	1
610A	610A0410	ROLLER,4X10		1	1	1	1

This catalog covers:

'12~'15 VN900 BCFA/BDF/BEF/BFF Engine

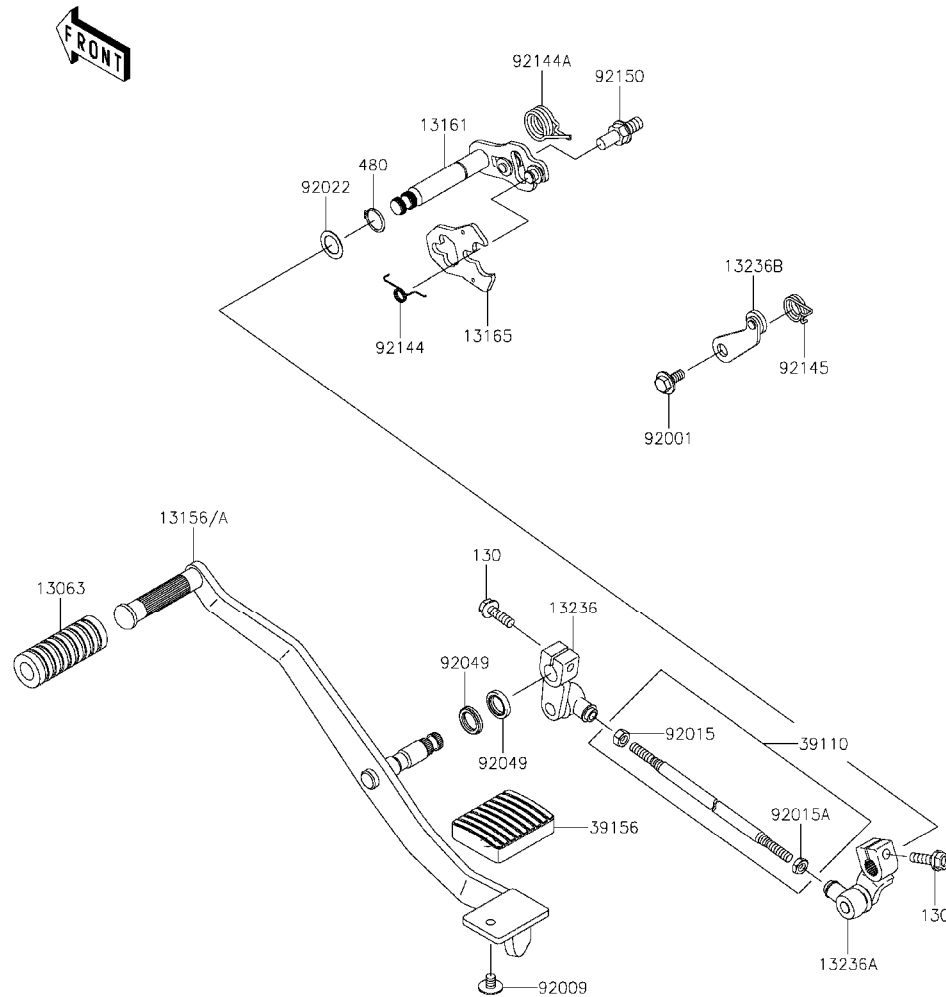
GRID NO.

C-3

This grid covers:

Gear Change Mechanism

E1370



Ref. No.	Part No.	Description	Spec Code	Quantity-VN900				
				'12	'13	'14	'15	
				BCFA	BDF	BEF	BFF	
13063	13063-002	DAMPER,PEDAL	1	1	1	1		
13156	13156-0063	LEVER-CHANGE					1	
13156A	13156-0567	LEVER-CHANGE	1	1	1			
13161	13161-0046	LEVER-COMP-CHANGE SHAFT	1	1	1	1		
13165	13165-1151	PAWL,CHANGE LEVER	1	1	1	1		
13236	13236-0100	LEVER-COMP	1	1	1	1		
13236A	13236-0119	LEVER-COMP	1	1	1	1		
13236B	13236-1126	LEVER-COMP,POSITION	1	1	1	1		
39110	39110-1124	ROD-ASSY-TIE	1	1	1	1		
39156	39156-1641	PAD	1	1	1	1		
92001	92001-1715	BOLT,FLANGED,6X14	1	1	1	1		
92009	92009-1677	SCREW,6X8	1	1	1	1		
92015	92015-1443	NUT,6MM	1	1	1	1		
92015A	92015-1444	NUT,LEFT HANDED,6MM	1	1	1	1		
92022	92022-1224	WASHER,13.2X20X0.5	1	1	1	1		
92049	92049-1398	SEAL-OIL,VB13193	2	2	2	2		
92144	92144-1029	SPRING	1	1	1	1		
92144A	92144-1074	SPRING,CHANGE PEDAL RETURN	1	1	1	1		
92145	92145-0462	SPRING,RETURN	1	1	1	1		
92150	92150-1869	BOLT,RETURN SPRING	1	1	1	1		
130	130CB0620	BOLT-FLANGED,6X20	2	2	2	2		
480	480J1300	CIRCLIP-TYPE-C,13MM	1	1	1	1		

This catalog covers:

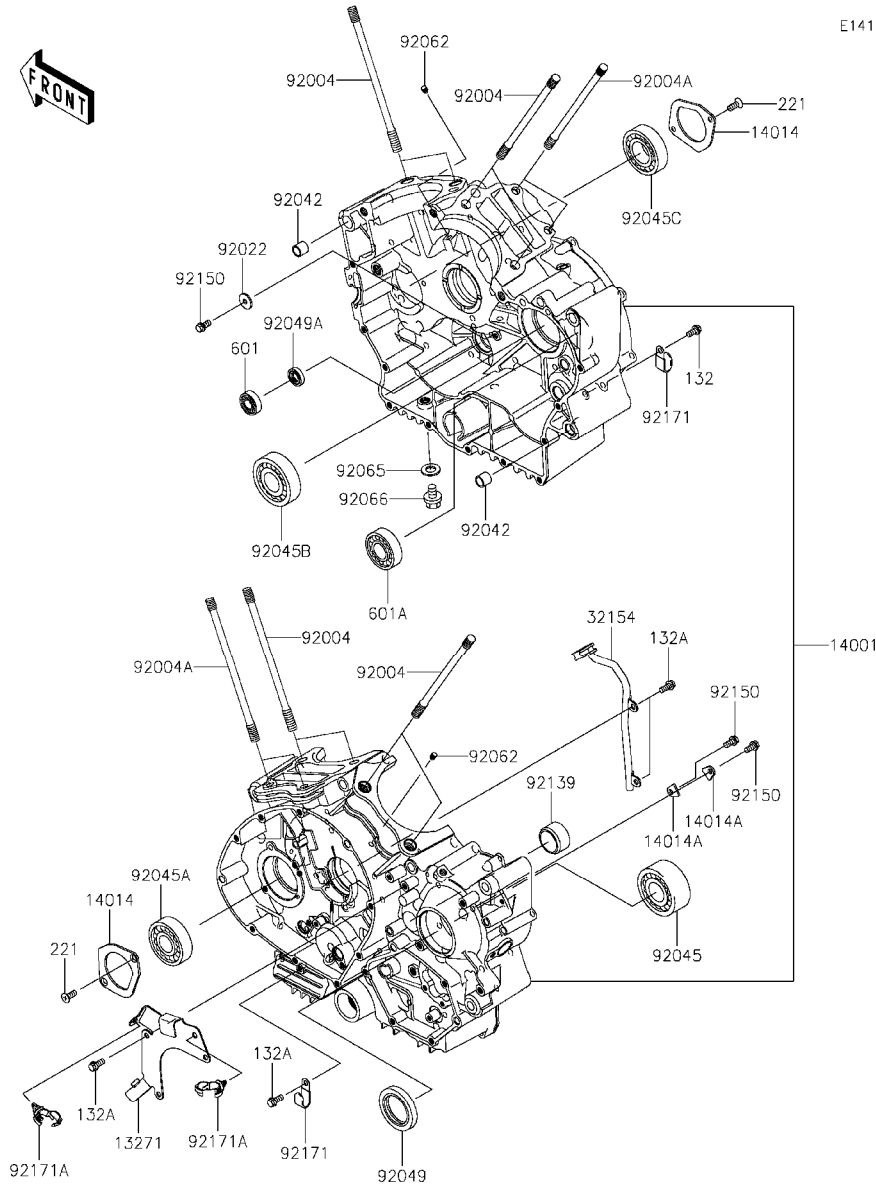
'12~'15 VN900 BCFA/BDF/BEF/BFF Engine

GRID NO.

C-4

This grid covers:

Crankcase



E1411

Ref. No.	Part No.	Description	Spec Code	Quantity-VN900			
				'12	'13	'14	'15
				BCFA	BDF	BEF	BFF
13271	13271-0841	PLATE	1	1	1	1	
14001	14001-0069	SET-CRANKCASE	1	1	1	1	
14014	14014-0024	PLATE-POSITION	2	2	2	2	
14014A	14014-0026	PLATE-POSITION	2	2	2	2	
32154	32154-0752	PIPE,OIL	1	1	1	1	
92004	92004-0026	STUD,10X160	8	8	8	8	
92004A	92004-0027	STUD,8X165.5	4	4	4	4	
92022	92022-1517	WASHER,6X19,5X2	1	1	1	1	
92042	92042-028	PIN,DOWEL,11X14X12.5	2	2	2	2	
92045	92045-0059	BEARING-BALL,5305-A-1	1	1	1	1	
92045A	92045-1017	BEARING-BALL,#63/22X	1	1	1	1	
92045B	92045-1137	BEARING-BALL,TMB305	1	1	1	1	
92045C	92045-1207	BEARING-BALL,62/28	1	1	1	1	
92049	92049-0076	SEAL-OIL,TC 38 55 8	1	1	1	1	
92049A	92049-1228	SEAL-OIL,SC 12X22X5	1	1	1	1	
92062	92062-1079	NOZZLE,6X8,BLACK	2	2	2	2	
92065	92065-097	GASKET,12X22X2	1	1	1	1	
92066	92066-0079	PLUG,12X15	1	1	1	1	
92139	92139-0139	BUSHING	1	1	1	1	
92150	92150-1868	BOLT,6X12	3	3	3	3	
92171	92171-0739	CLAMP	2	2	2	2	
92171A	92171-1415	CLAMP,DIA=13	2	2	2	2	
132	132BA0612	BOLT-FLANGED-SMALL,6X12	1	1	1	1	
132A	132BA0614	BOLT-FLANGED-SMALL,6X14	6	6	6	6	
221	221AA0616	SCREW-CSK-CROS,6X16	4	4	4	4	
601	601A6001	BEARING-BALL	1	1	1	1	
601A	601A6204Z	BEARING-BALL	1	1	1	1	

This catalog covers:

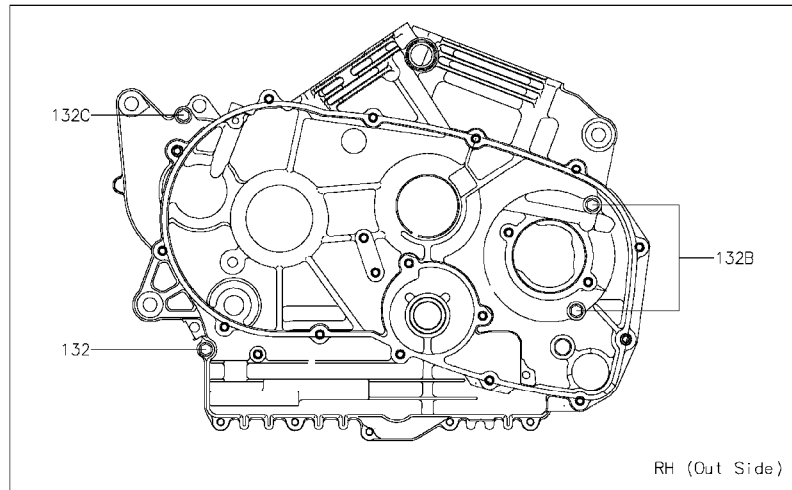
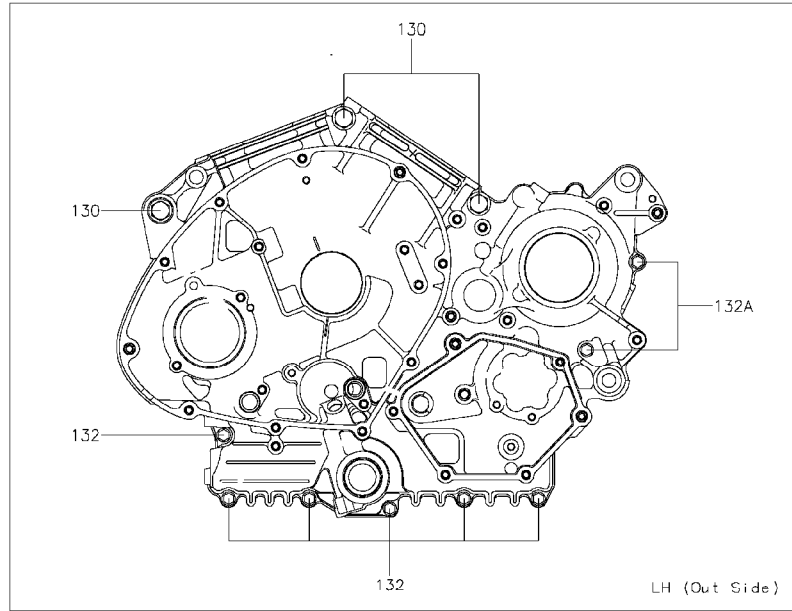
'12~'15 VN900 BCFA/BDF/BEF/BFF Engine

GRID NO.

C-5

This grid covers:

Crankcase Bolt Pattern



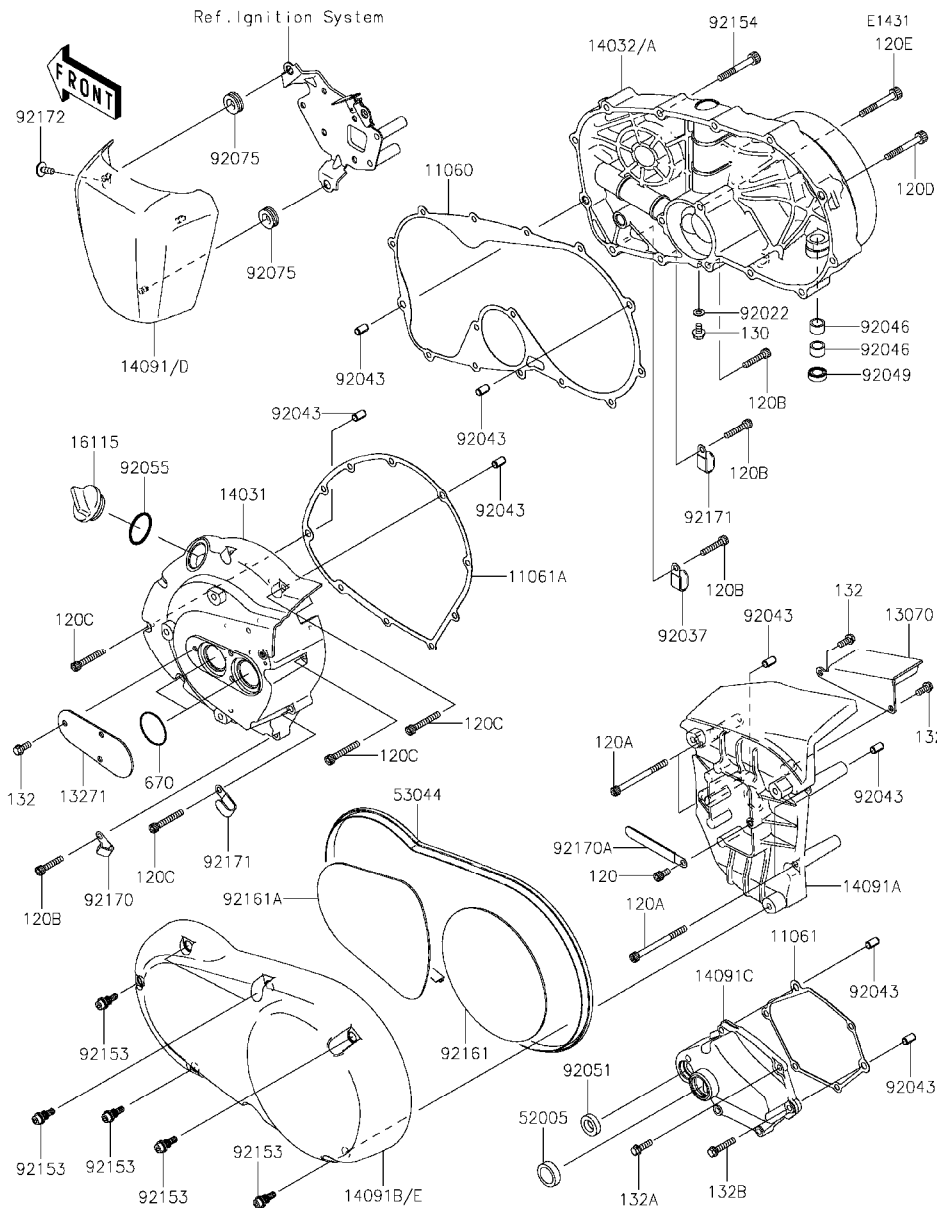
Ref. No.	Part No.	Description	Spec Code	Quantity-VN900			
				'12	'13	'14	'15
				BCFA	BDF	BEF	BFF
130	130BB1090	BOLT-FLANGED,10X90	3	3	3	3	
132	132BA0630	BOLT-FLANGED-SMALL,6X30	7	7	7	7	
132A	132BA0660	BOLT-FLANGED-SMALL,6X60	2	2	2	2	
132B	132BA0670	BOLT-FLANGED-SMALL,6X70	2	2	2	2	
132C	132BA0685	BOLT-FLANGED-SMALL,6X85	1	1	1	1	

This catalog covers:

'12~'15 VN900 BCFA/BDF/BEF/BFF Engine

GRID NO. This grid covers:

C-6 Engine Cover(s)(1/2)



Ref. No.	Part No.	Description	Spec Code	Quantity-VN900			
				'12	'13	'14	'15
				BCFA	BDF	BEF	BFF
11060	11060-1926	GASKET,CLUTCH COVER		1	1	1	1
11061	11061-0208	GASKET,MECHANISM COVER		1	1	1	1
11061A	11061-0209	GASKET,GENERATOR COVER		1	1	1	1
13070	13070-0055	GUIDE,BELT		1	1	1	1
13271	13271-0700	PLATE		1	1	1	1
14031	14031-0056	COVER-GENERATOR		1	1	1	1
14032	14032-0076	COVER-CLUTCH					1
14032A	14032-0135	COVER-CLUTCH		1	1	1	
14091	14091-0289	COVER					1
14091A	14091-0510	COVER,PULLEY		1	1	1	1
14091B	14091-0511	COVER,OUTER,LH					1
14091C	14091-0633	COVER,CHANGE MECHANISM		1	1	1	1
14091D	14091-0882-H8	COVER,IGNITION COIL,EBONY		1	1	1	
14091E	14091-1737	COVER,OUTER,LH		1	1	1	
16115	16115-1009	CAP-OIL FILLER		1	1	1	1
52005	52005-1009	GAUGE,OIL LEVEL		1	1	1	1
53044	53044-0034	TRIM		1	1	1	1
92022	92022-077	WASHER,6,1X12X1		1	1	1	1
92037	92037-1539	CLAMP,L=45		1	1	1	1
92043	92043-1263	PIN,6,2X8X14		8	8	8	8
92046	92046-0034	BEARING-NEEDLE,HK1210FM		2	2	2	2
92049	92049-1271	SEAL-OIL,TB12205.5		1	1	1	1
92051	92051-005	SEAL-OIL,TB13225.5		1	1	1	1
92055	92055-049	RING-O,31.5X2.6		1	1	1	1
92075	92075-1629	DAMPER		3	3	3	3
92153	92153-1331	BOLT,SOCKET,6X22		6	6	6	6
92154	92154-0270	BOLT,SOCKET,6X50		1	1	1	1
92161	92161-0910	DAMPER		1	1	1	1
92161A	92161-0911	DAMPER		1	1	1	1
92170	92170-1900	CLAMP,HARNESS		1	1	1	1
92170A	92170-1925	CLAMP		1	1	1	1
92171	92171-0739	CLAMP		2	2	2	2
92172	92172-0101	SCREW,5X12		1	1	1	1
120	120CA0612	BOLT-SOCKET,6X12		1	1	1	1
120A	120CA0675	BOLT-SOCKET,6X75		4	4	4	4
120B	120CC0630	BOLT-SOCKET,6X30		9	9	9	9
120C	120CC0640	BOLT-SOCKET,6X40		4	4	4	4
120D	120CC0650	BOLT-SOCKET,6X50		10	10	10	10
120E	120CC0665	BOLT-SOCKET,6X65		1	1	1	1
130	130BA0610	BOLT-FLANGED,6X10		1	1	1	1

This catalog covers:

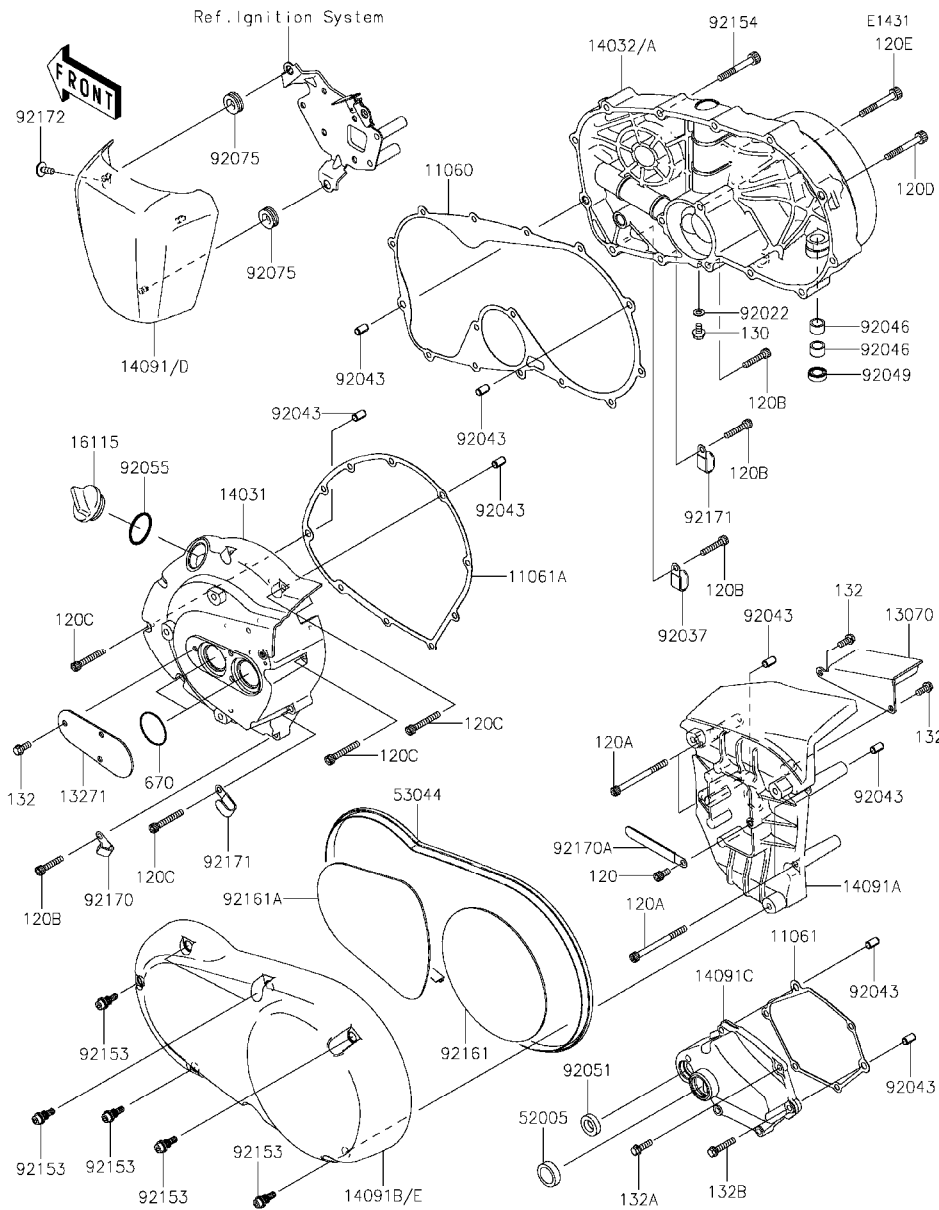
'12~'15 VN900 BCFA/BDF/BEF/BFF Engine

GRID NO.

C-7

This grid covers:

Engine Cover(s)(2/2)



Ref. No.	Part No.	Description	Spec Code	Quantity-VN900			
				'12	'13	'14	'15
				BCFA	BDF	BEF	BFF
132	132BA0614	BOLT-FLANGED-SMALL,6X14		5	5	5	5
132A	132BA0620	BOLT-FLANGED-SMALL,6X20		1	1	1	1
132B	132BA0630	BOLT-FLANGED-SMALL,6X30		5	5	5	5
670	670B3034	O RING		2	2	2	2

This catalog covers:

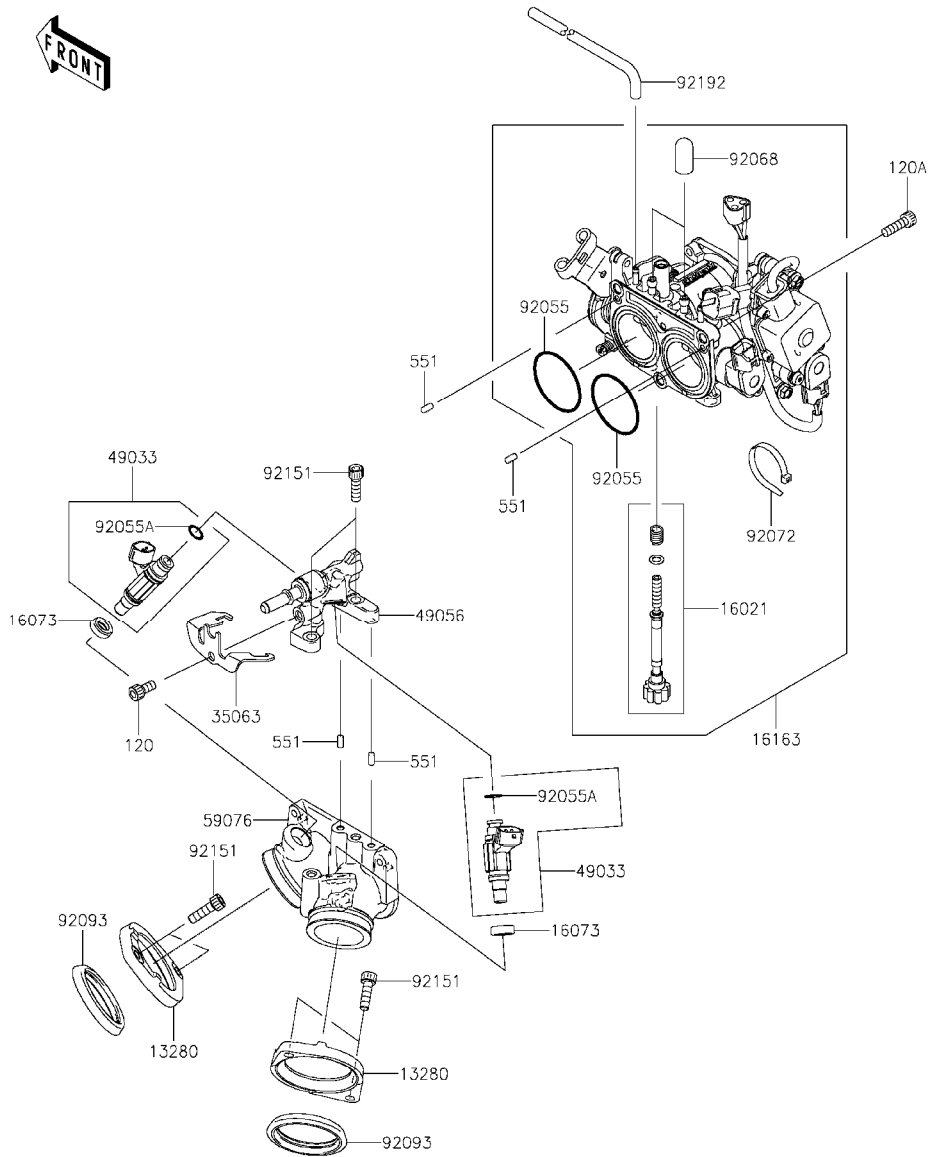
'12~'15 VN900 BCFA/BDF/BEF/BFF Engine

GRID NO.

C-8

This grid covers:

Throttle



E1510

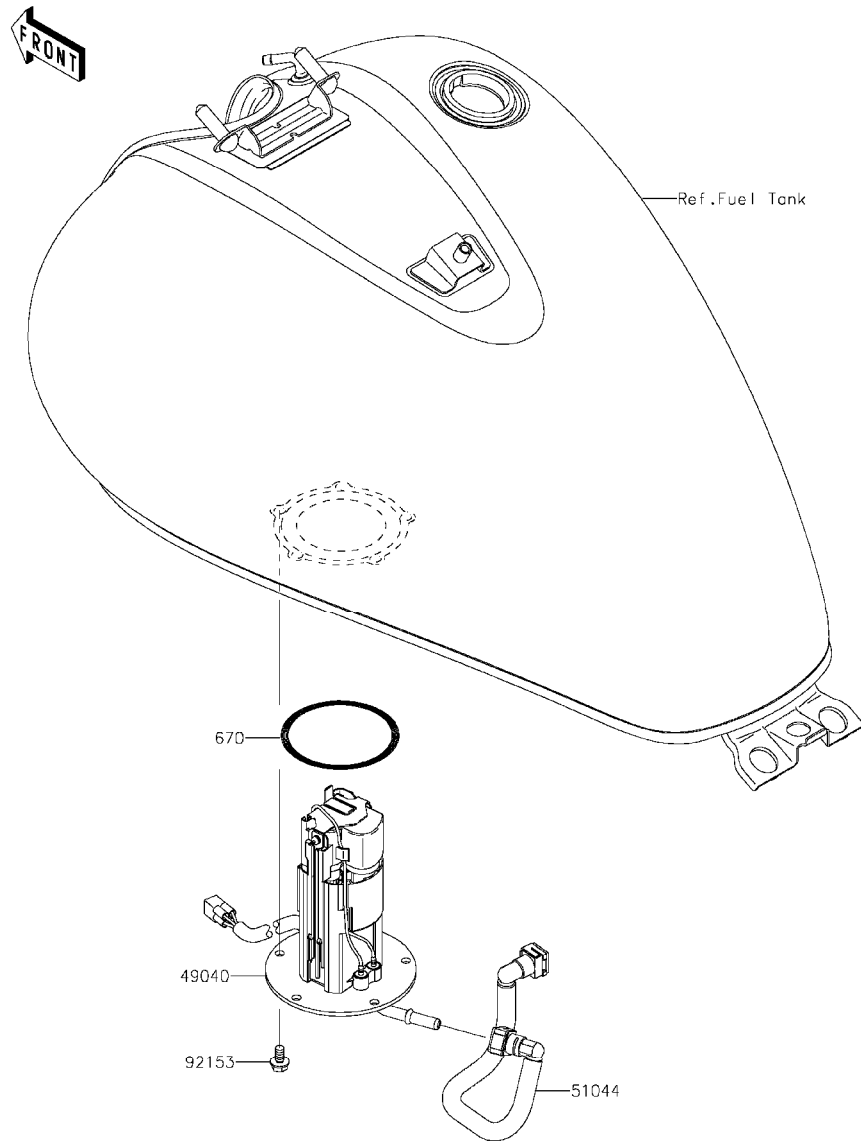
Ref. No.	Part No.	Description	Spec Code	Quantity-VN900				
				'12	'13	'14	'15	
				BCFA	BDF	BEF	BFF	
13280	13280-1154	HOLDER	2	2	2	2		
16021	16021-0016	SCREW-THROTTLE STOP	1	1	1	1		
16073	16073-3707	INSULATOR	2	2	2	2		
16163	16163-0114	THROTTLE-ASSY,TTK34	1	1	1	1		
35063	35063-0240	STAY	1	1	1	1		
49033	49033-0011	NOZZLE-INJECTION	2	2	2	2		
49056	49056-0018	PIPE-INJECTION	1	1	1	1		
59076	59076-0003	MANIFOLD-INTAKE	1	1	1	1		
92055	92055-0118	RING-O	2	2	2	2		
92055A	92055-1622	RING-O,INJECTION NOZZLE	2	2	2	2		
92068	92068-006	PLUG,12X25	2	2	2	2		
92072	92072-0012	BAND,SUB-HARNESS	1	1	1	1		
92093	92093-0072	SEAL	2	2	2	2		
92151	92151-3774	BOLT,SOCKET,6X20	6	6	6	6		
92192	92192-0308	TUBE,SENSOR-THROBO	1	1	1	1		
120	120CA0612	BOLT-SOCKET,6X12	1	1	1	1		
120A	120CA0620	BOLT-SOCKET,6X20	3	3	3	3		
551	551R0408	PIN-DOWEL	4	4	4	4		

This catalog covers:

'12~'15 VN900 BCFA/BDF/BEF/BFF Engine

GRID NO. This grid covers:

C-9 Fuel Pump



E1520

Ref. No.	Part No.	Description	Spec Code	Quantity-VN900			
				'12	'13	'14	'15
				BCFA	BDF	BEF	BFF
49040	49040-0022	PUMP-FUEL	1	1	1	1	
51044	51044-0027	TUBE-ASSY,FUEL	1	1	1	1	
92153	92153-1295	BOLT,FLANGED,6X12	5	5	5	5	
670	670E5075	O RING	1	1	1	1	

This catalog covers:

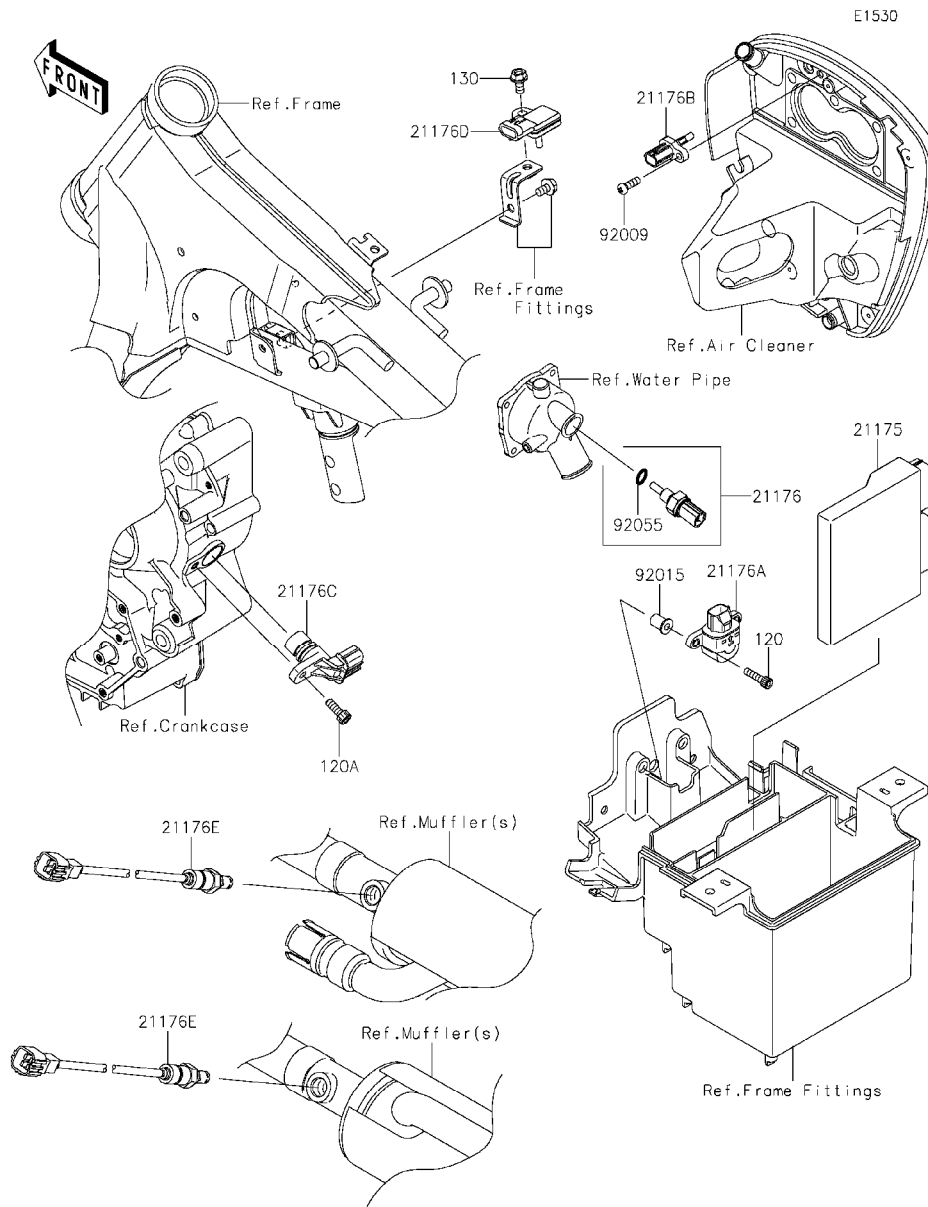
'12~'15 VN900 BCFA/BDF/BEF/BFF Engine

GRID NO.

C-10

This grid covers:

Fuel Injection



Ref. No.	Part No.	Description	Spec Code	Quantity-VN900			
				'12	'13	'14	'15
				BCFA	BDF	BEF	BFF
21175	21175-0205	CONTROL UNIT-ELECTRONIC		1	1	1	1
21176	21176-0009	SENSOR,WATER TEMP		1	1	1	1
21176A	21176-0025	SENSOR		1	1	1	1
21176B	21176-0048	SENSOR,AIR TEMPERATURE		1	1	1	1
21176C	21176-0054	SENSOR,SPEED		1	1	1	1
21176D	21176-0058	SENSOR,PRESSURE		1	1	1	1
21176E	21176-0090	SENSOR,OXYGEN		2	2	2	2
92009	92009-1984	SCREW,TAPPING,5X16		1	1	1	1
92015	92015-1757	NUT,WELL,5MM		2	2	2	2
92055	92055-0016	RING-O,9.5X1.9		1	1	1	1
120	120CA0520	BOLT-SOCKET,5X20		2	2	2	2
120A	120CA0616	BOLT-SOCKET,6X16		1	1	1	1
130	130BA0612	BOLT-FLANGED,6X12		1	1	1	1

This catalog covers:

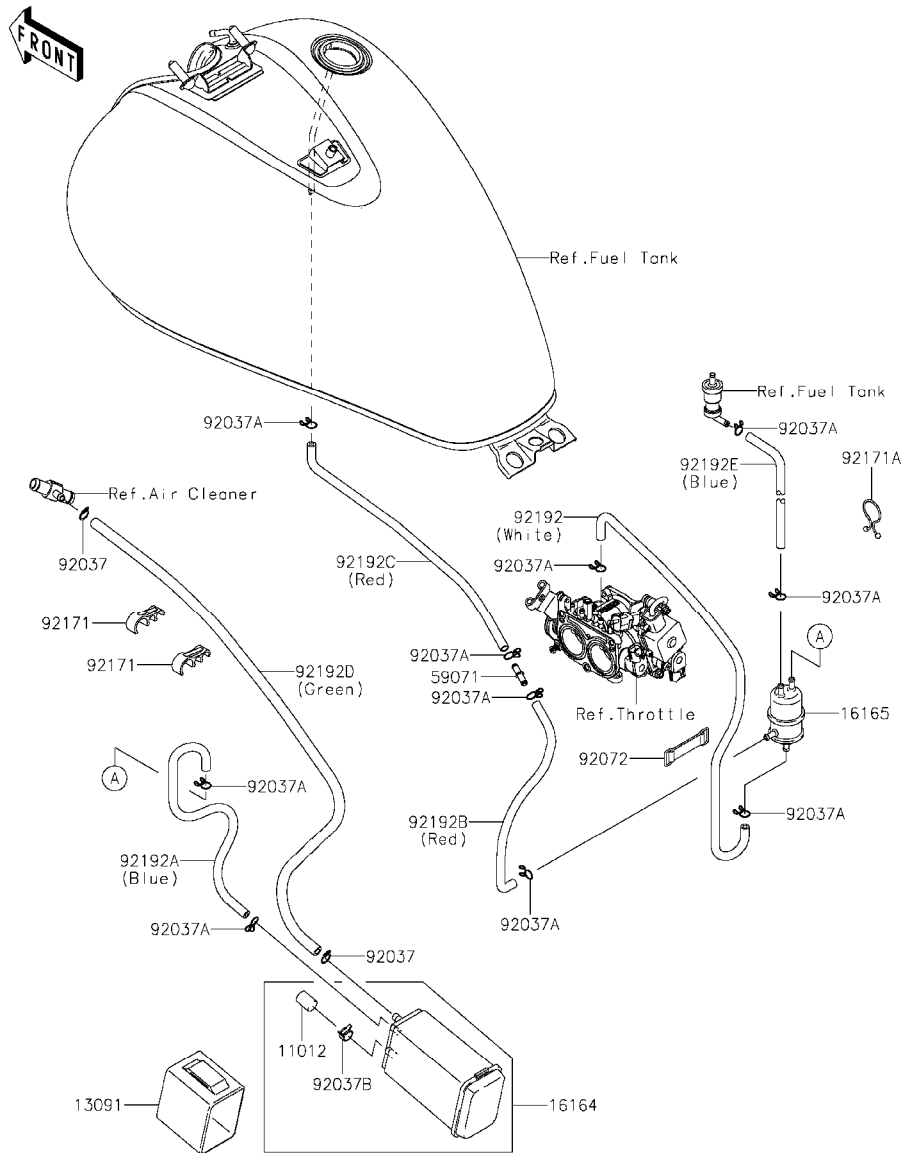
'12~'15 VN900 BCFA/BDF/BEF/BFF Engine

GRID NO.

C-11

This grid covers:

Fuel Evaporative System



E1650

Ref. No.	Part No.	Description	Spec Code	Quantity-VN900			
				'12	'13	'14	'15
				BCFA	BDF	BEF	BFF
11012	11012-1388	CAP,CANISTER		1	1	1	1
13091	13091-1308	HOLDER,CANISTER		1	1	1	1
16164	16164-1054	CANISTER		1	1	1	1
16165	16165-1001	SEPARATOR		1	1	1	1
59071	59071-3717	JOINT		1	1	1	1
92037	92037-1104	CLAMP,HOSE		2	2	2	2
92037A	92037-147	CLAMP,TUBE		10	10	10	10
92037B	92037-1512	CLAMP,CANISTER		1	1	1	1
92072	92072-1419	BAND,L=50		1	1	1	1
92171	92171-0765	CLAMP		2	2	2	2
92171A	92171-1185	CLAMP		1	1	1	1
92192	92192-0275	TUBE,SEPARATOR-THROBO,WHITE		1	1	1	1
92192A	92192-0505	TUBE,SEPARATOR-CANISTER,BLUE		1	1	1	1
92192B	92192-0506	TUBE,SEPARATOR-JOINT,RED		1	1	1	1
92192C	92192-0507	TUBE,JOINT-TANK,RED		1	1	1	1
92192D	92192-0509	TUBE,7X12X760,GREEN		1	1	1	1
92192E	92192-1063	TUBE,5X10X705,BLUE		1	1	1	1

This catalog covers:

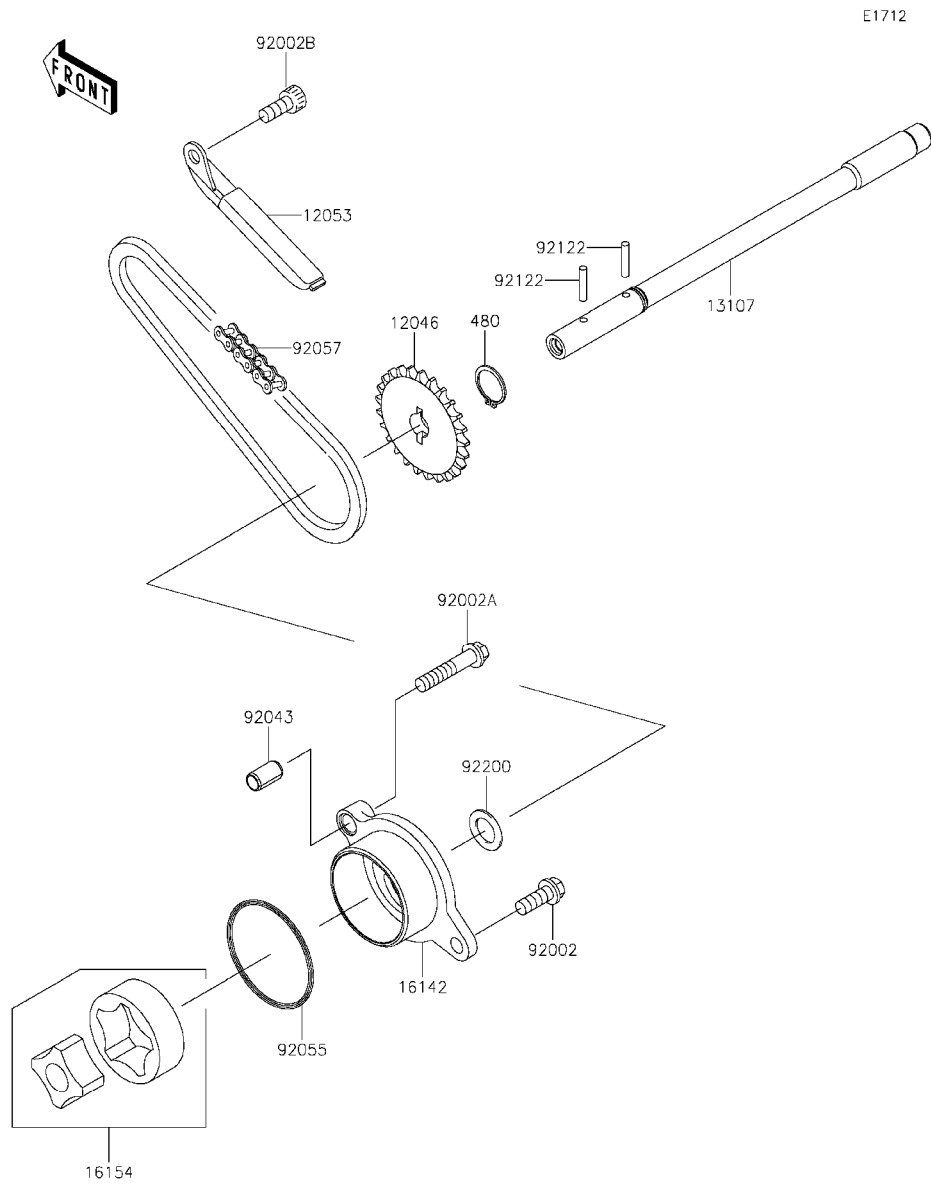
'12~'15 VN900 BCFA/BDF/BEF/BFF Engine

GRID NO.

C-12

This grid covers:

Oil Pump



Ref. No.	Part No.	Description	Spec Code	Quantity-VN900				
				'12	'13	'14	'15	
				BCFA	BDF	BEF	BFF	
12046	12046-0045	SPROCKET,24T	1	1	1	1		
12053	12053-0070	GUIDE-CHAIN	1	1	1	1		
13107	13107-0116	SHAFT	1	1	1	1		
16142	16142-0028	COVER-PUMP,OIL	1	1	1	1		
16154	16154-1056	ROTOR-PUMP,40.56X18	1	1	1	1		
92002	92002-1439	BOLT,6X16	1	1	1	1		
92002A	92002-1534	BOLT,6X30	1	1	1	1		
92002B	92002-1592	BOLT,SOCKET,6X14	1	1	1	1		
92043	92043-1263	PIN,6.2X8X14	1	1	1	1		
92055	92055-1279	RING-O,44.7X2.4	1	1	1	1		
92057	92057-0113	CHAIN,DID 25H,54LE	1	1	1	1		
92122	92122-1126	ROLLER,3X15.8	2	2	2	2		
92200	92200-1009	WASHER	1	1	1	1		
480	480J1100	CIRCLIP-TYPE-C,11MM	1	1	1	1		

This catalog covers:

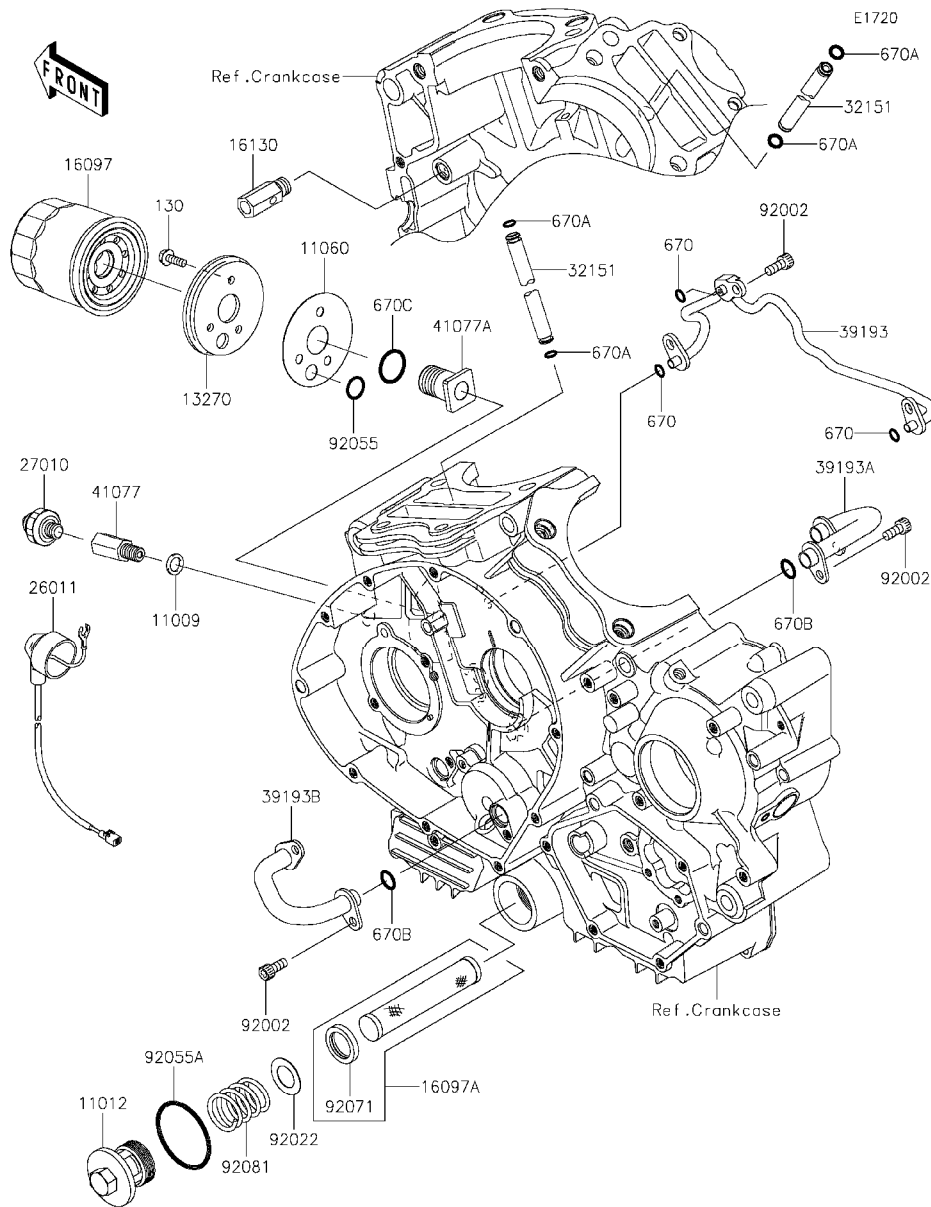
'12~'15 VN900 BCFA/BDF/BEF/BFF Engine

GRID NO.

C-13

This grid covers:

Oil Filter



Ref. No.	Part No.	Description	Spec Code	Quantity-VN900			
				'12	'13	'14	'15
				BCFA	BDF	BEF	BFF
11009	11009-1105	GASKET,10X14.5X1.5		1	1	1	1
11012	11012-1461	CAP,OIL FILTER		1	1	1	1
11060	11060-1092	GASKET,OIL FILTER		1	1	1	1
13270	13270-1170	PLATE,OIL FILTER		1	1	1	1
16097	16097-0008	FILTER-ASSY-OIL		1	1	1	1
16097A	16097-1058	FILTER-ASSY-OIL		1	1	1	1
16130	16130-0002	VALVE-ASSY-RELIEF		1	1	1	1
26011	26011-0109	WIRE-LEAD		1	1	1	1
27010	27010-1313	SWITCH,OIL PRESSURE		1	1	1	1
32151	32151-1895	PIPE		2	2	2	2
39193	39193-0035	PIPE-OIL		1	1	1	1
39193A	39193-0036	PIPE-OIL		1	1	1	1
39193B	39193-0037	PIPE-OIL		1	1	1	1
41077	41077-0017	ADAPTER,PRESSURE SWITCH		1	1	1	1
41077A	41077-0024	ADAPTER		1	1	1	1
92002	92002-1592	BOLT,SOCKET,6X14		7	7	7	7
92022	92022-169	WASHER,16.5X28X0.5		1	1	1	1
92055	92055-1011	RING-O,13.0X1.9		1	1	1	1
92055A	92055-1358	RING-O,35.2X2.4		1	1	1	1
92071	92071-100	GROMMET,OIL STRAINER		1	1	1	1
92081	92081-1862	SPRING,OIL FILTER		1	1	1	1
130	130CA0514	BOLT-FLANGED,5X14		3	3	3	3
670	670D1506	O RING,6MM		3	3	3	3
670A	670D1507	O RING,7MM		4	4	4	4
670B	670D2012	O RING,12MM		4	4	4	4
670C	670D2020	O RING,20MM		1	1	1	1

This catalog covers:

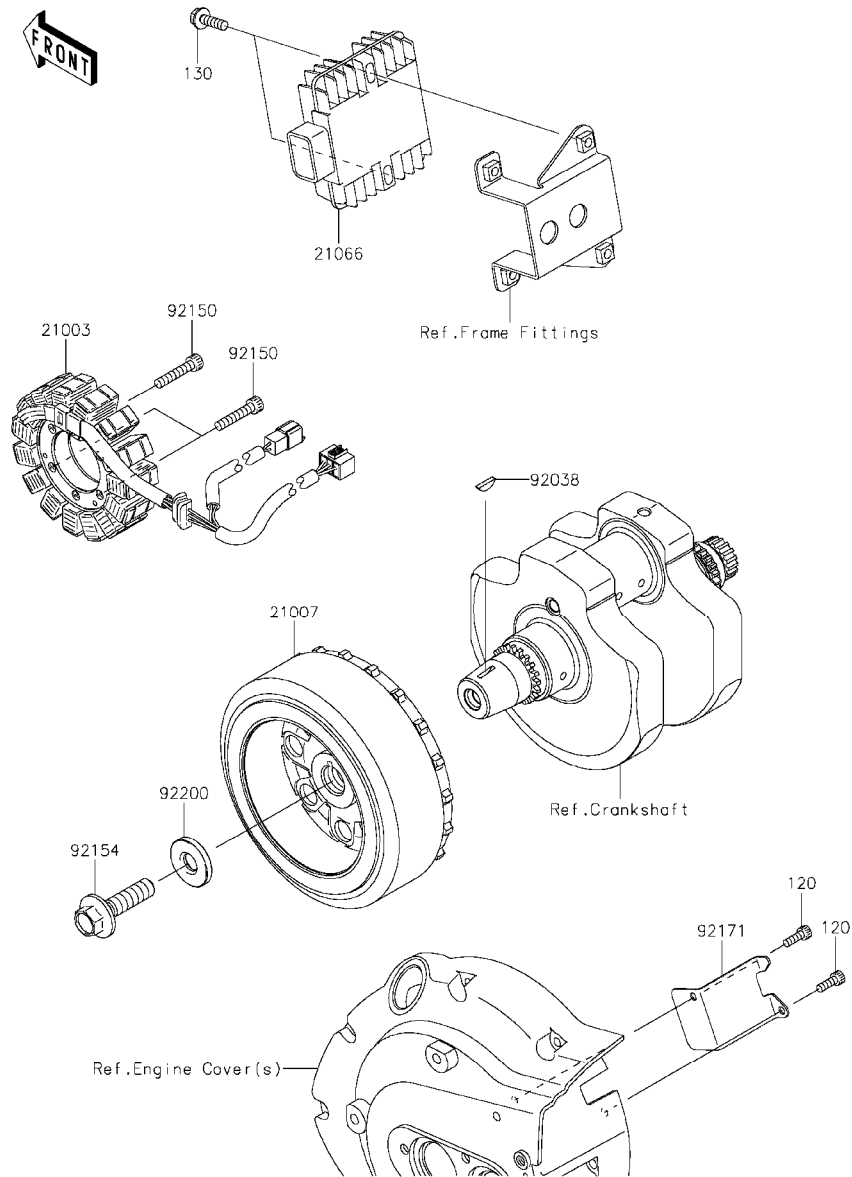
'12~'15 VN900 BCFA/BDF/BEF/BFF Engine

GRID NO.

C-14

This grid covers:

Generator



E1810

Ref. No.	Part No.	Description	Spec Code	Quantity-VN900				
				'12	'13	'14	'15	
				BCFA	BDF	BEF	BFF	
21003	21003-0053	STATOR		1	1	1	1	
21007	21007-0076	ROTOR		1	1	1	1	
21066	21066-0705	REGULATOR-VOLTAGE		1	1	1	1	
92038	92038-001	KEY,WOODRUFF		1	1	1	1	
92150	92150-1433	BOLT,SOCKET,6X30		3	3	3	3	
92154	92154-1357	BOLT,FLANGED,12X45		1	1	1	1	
92171	92171-0563	CLAMP		1	1	1	1	
92200	92200-0220	WASHER,12X33X5		1	1	1	1	
120	120CA0514	BOLT-SOCKET,5X14		2	2	2	2	
130	130BB0620	BOLT-FLANGED,6X20		2	2	2	2	

This catalog covers:

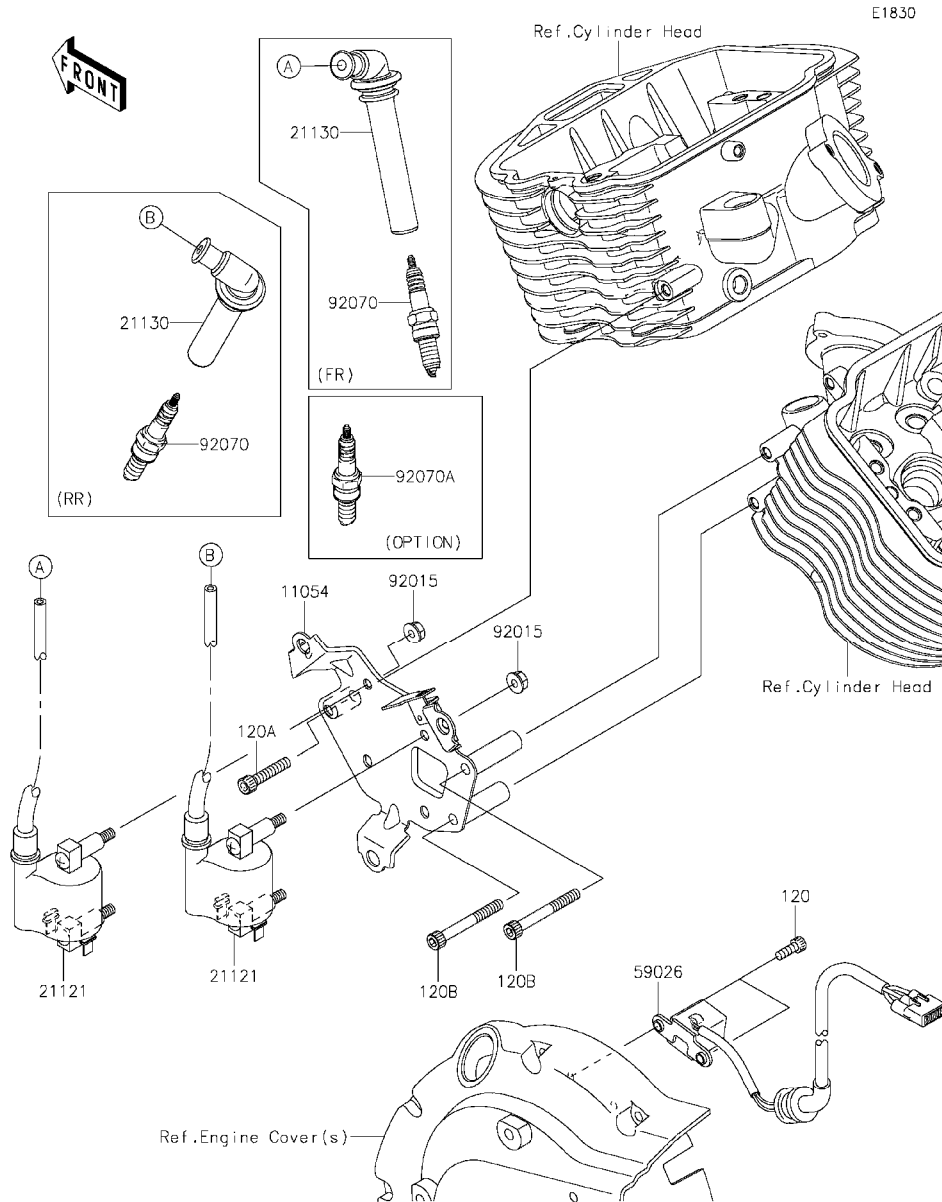
'12~'15 VN900 BCFA/BDF/BEF/BFF Engine

GRID NO.

D-3

This grid covers:

Ignition System



Ref. No.	Part No.	Description	Spec Code	Quantity-VN900			
				'12 BCFA	'13 BDF	'14 BEF	'15 BFF
11054	11054-1537	BRACKET,IGNITION COIL	1	1	1	1	
21121	21121-0027	COIL-IGNITION	2	2	2	2	
21130	21130-1075	CAP-SPARK PLUG	2	2	2	2	
59026	59026-0017	COIL-PULSING	1	1	1	1	
92015	92015-1367	NUT,FLANGED,6MM	4	4	4	4	
92070	92070-0022	PLUG-SPARK,CPR7EA-9(NGK)	2	2	2	2	
92070A	92070-0029	PLUG-SPARK,CPR8EA-9(NGK)	2	2	2	2	
	(OPTION)						
120	120CA0514	BOLT-SOCKET,5X14	2	2	2	2	
120A	120CA0635	BOLT-SOCKET,6X35	1	1	1	1	
120B	120CA0655	BOLT-SOCKET,6X55	2	2	2	2	

This catalog covers:

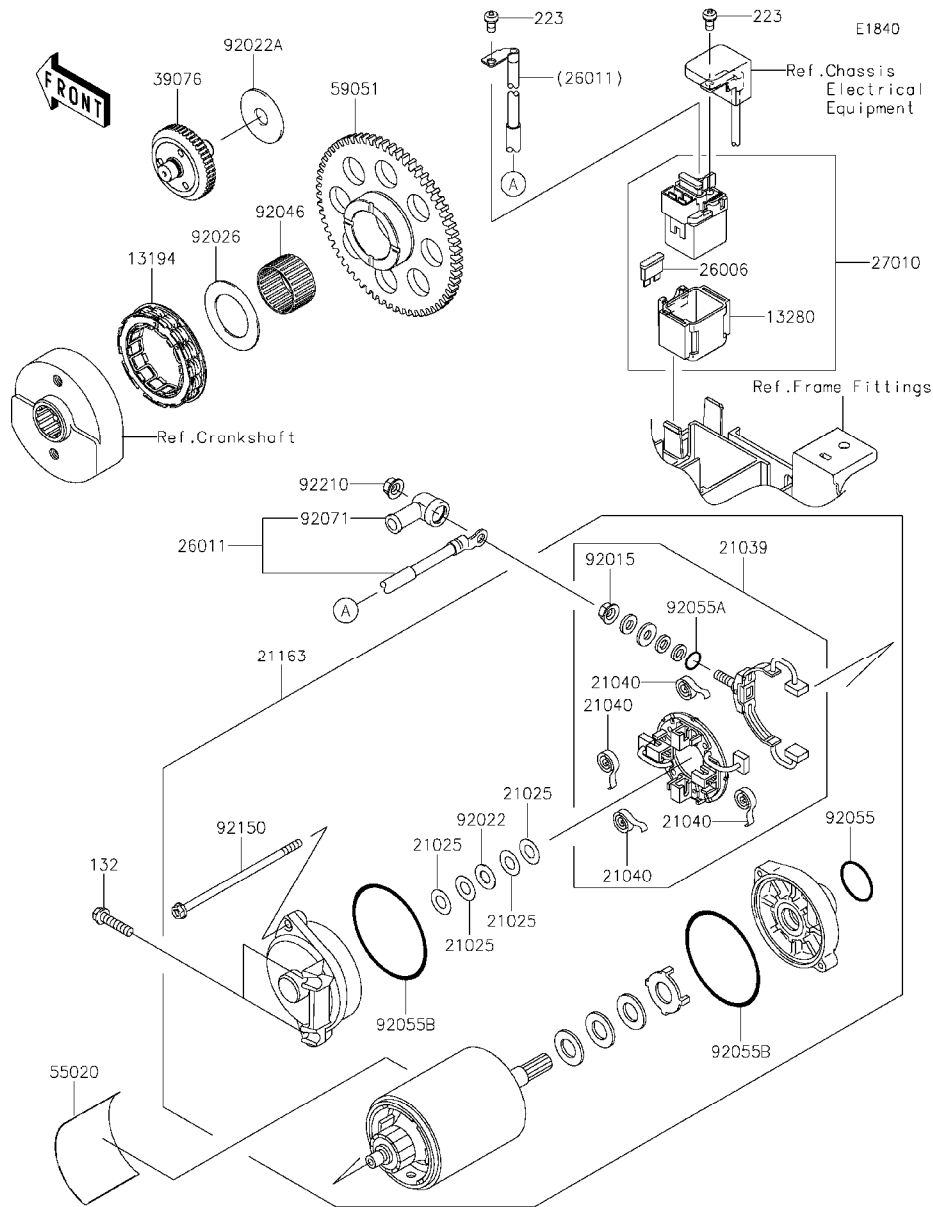
'12~'15 VN900 BCFA/BDF/BEF/BFF Engine

GRID NO.

D-4

This grid covers:

Starter Motor



Ref. No.	Part No.	Description	Spec Code	Quantity-VN900			
				'12	'13	'14	'15
				BCFA	BDF	BEF	BFF
13194	13194-0009	CLUTCH-ONEWAY	1	1	1	1	
13280	13280-1263	HOLDER	1	1	1	1	
21025	21025-011	WASHER,9,1X18X0.2	AR	AR	AR	AR	
21039	21039-1060	BRUSH,CARBON	1	1	1	1	
21040	21040-1055	SPRING-BRUSH	4	4	4	4	
21163	21163-0066	STARTER-ELECTRIC	1	1	1	1	
26006	26006-1006	FUSE,BLADE,30A,GREEN	1	1	1	1	
26011	26011-0126	WIRE-LEAD,STARTER MOTOR	1	1	1	1	
27010	27010-1446	SWITCH,MAGNETIC	1	1	1	1	
39076	39076-0008	LIMITER	1	1	1	1	
55020	55020-1589	GUARD,STARTER MOTER	1	1	1	1	
59051	59051-0060	GEAR-SPUR,63T	1	1	1	1	
92015	92015-1476	NUT,STARTER MOTOR	1	1	1	1	
92022	92022-1132	WASHER,9,1X18X0.8	1	1	1	1	
92022A	92022-1664	WASHER,12,3X38X2.0	1	1	1	1	
92026	92026-1490	SPACER,31X49,5X1.2	1	1	1	1	
92046	92046-1171	BEARING-NEEDLE,K30X35X20	1	1	1	1	
92055	92055-1276	RING-O	1	1	1	1	
92055A	92055-1370	RING-O,4,5X2,0	1	1	1	1	
92055B	92055-1381	RING-O,STARTER MOTOR	2	2	2	2	
92071	92071-0024	GROMMET	1	1	1	1	
92150	92150-1572	BOLT,STARTER MOTOR	2	2	2	2	
92210	92210-0188	NUT,6MM	1	1	1	1	
132	132BA0625	BOLT-FLANGED-SMALL,6X25	2	2	2	2	
223	223AA0510	SCREW-PAN-WS-CROS,5X10	2	2	2	2	

This catalog covers:

'12~'15 VN900 BCFA/BDF/BEF/BFF Engine

GRID NO.

D-5

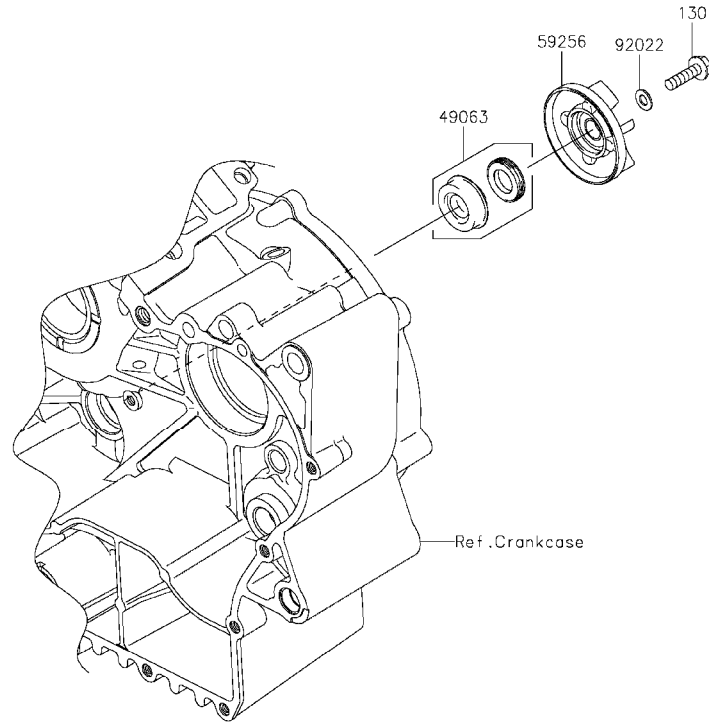
This grid covers:

Water Pump



E3031

Ref. No.	Part No.	Description	Spec Code	Quantity-VN900			
				'12	'13	'14	'15
				BCFA	BDF	BEF	BFF
49063	49063-1055	SEAL-MECHANICAL,WATER	1	1	1	1	
59256	59256-1073	IMPELLER	1	1	1	1	
92022	92022-077	WASHER,6.1X12X1	1	1	1	1	
130	130BA0622	BOLT-FLANGED,6X22	1	1	1	1	



This catalog covers:

'12~'15 VN900 BCFA/BDF/BEF/BFF Engine

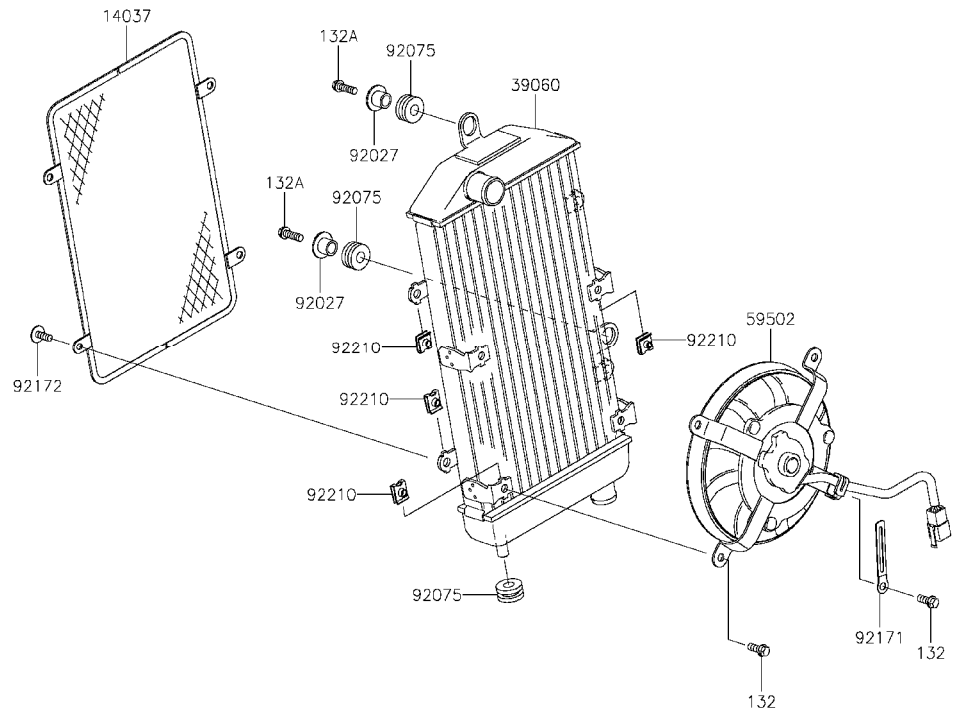
GRID NO.

D-6

This grid covers:

Radiator

E3032



Ref. No.	Part No.	Description	Spec Code	Quantity-VN900			
				'12	'13	'14	'15
				BCFA	BDF	BEF	BFF
14037	14037-0046	SCREEN	1	1	1	1	
39060	39060-0029	RADIATOR	1	1	1	1	
59502	59502-0023	FAN-ASSY	1	1	1	1	
92027	92027-1450	COLLAR,L=13.1,BLACK	2	2	2	2	
92075	92075-1690	DAMPER	3	3	3	3	
92171	92171-0791	CLAMP	1	1	1	1	
92172	92172-0004	SCREW,6X14	4	4	4	4	
92210	92210-1323	NUT	8	8	8	8	
	132	BOLT-FLANGED-SMALL,6X14	4	4	4	4	
	132A	BOLT-FLANGED-SMALL,6X20	2	2	2	2	

This catalog covers:

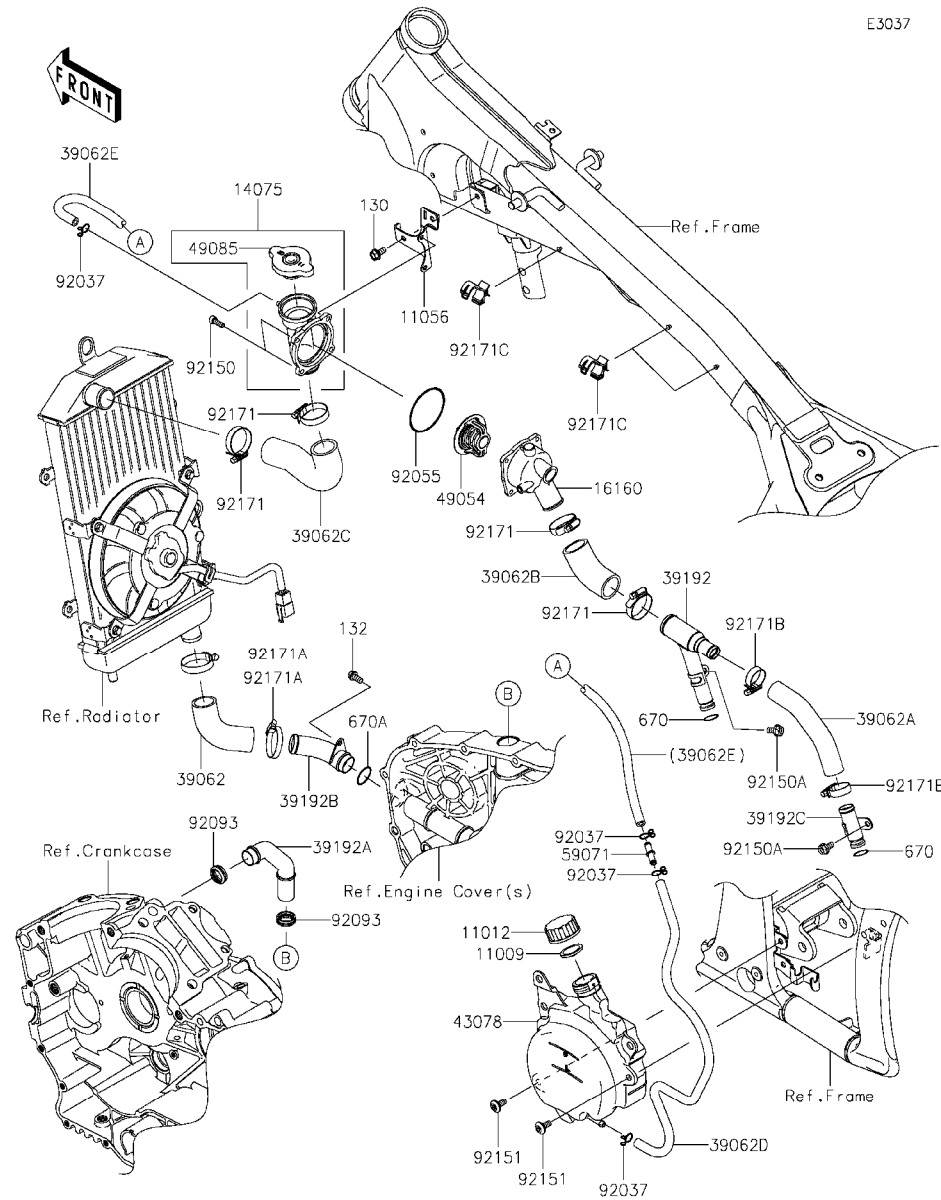
'12~'15 VN900 BCFA/BDF/BEF/BFF Engine

GRID NO.

D-7

This grid covers:

Water Pipe



E3037

Ref. No.	Part No.	Description	Spec Code	Quantity-VN900			
				'12 BCFA	'13 BDF	'14 BEF	'15 BFF
11009	11009-1145	GASKET,RESERVOIR TANK CAP		1	1	1	1
11012	11012-1084	CAP		1	1	1	1
11056	11056-1356	BRACKET		1	1	1	1
14075	14075-0001	CAP-ASSY		1	1	1	1
16160	16160-0095	BODY,THERMOSTAT		1	1	1	1
39062	39062-0009	HOSE-COOLING,PIPE-WATER PUMP		1	1	1	1
39062A	39062-0118	HOSE-COOLING,RR HEAD-PIPE		1	1	1	1
39062B	39062-0120	HOSE-COOLING,PIPE-THERMO		1	1	1	1
39062C	39062-0121	HOSE-COOLING,THERMO-RAD		1	1	1	1
39062D	39062-0124	HOSE-COOLING,RESERVOIR-JOINT		1	1	1	1
39062E	39062-0132	HOSE-COOLING,JOINT-THERMO		1	1	1	1
39192	39192-0042	PIPE-WATER,FR HEAD		1	1	1	1
39192A	39192-0043	PIPE-WATER		1	1	1	1
39192B	39192-0044	PIPE-WATER		1	1	1	1
39192C	39192-0048	PIPE-WATER,RR HEAD		1	1	1	1
43078	43078-0045	RESERVOIR		1	1	1	1
49054	49054-0004	THERMOSTAT		1	1	1	1
49085	49085-1066	CAP-ASSY-PRESSURE		1	1	1	1
59071	59071-3717	JOINT		1	1	1	1
92037	92037-147	CLAMP,TUBE		4	4	4	4
92055	92055-0831	RING-O,53,5X2,6		1	1	1	1
92093	92093-1427	SEAL		2	2	2	2
92150	92150-1180	BOLT, SOCKET,5X14		4	4	4	4
92150A	92150-1826	BOLT, FLANGED,6X12		2	2	2	2
92151	92151-1654	BOLT, SOCKET,6X14		2	2	2	2
92171	92171-0179	CLAMP		4	4	4	4
92171A	92171-0261	CLAMP		2	2	2	2
92171B	92171-0338	CLAMP		2	2	2	2
92171C	92171-1424	CLAMP,DIA=15		3	3	3	3
130	130BA0614	BOLT-FLANGED,6X14		1	1	1	1
132	132BA0612	BOLT-FLANGED-SMALL,6X12		1	1	1	1
670	670B2014	O RING,14MM		2	2	2	2
670A	670B2021	O RING,21MM		1	1	1	1

This catalog covers:

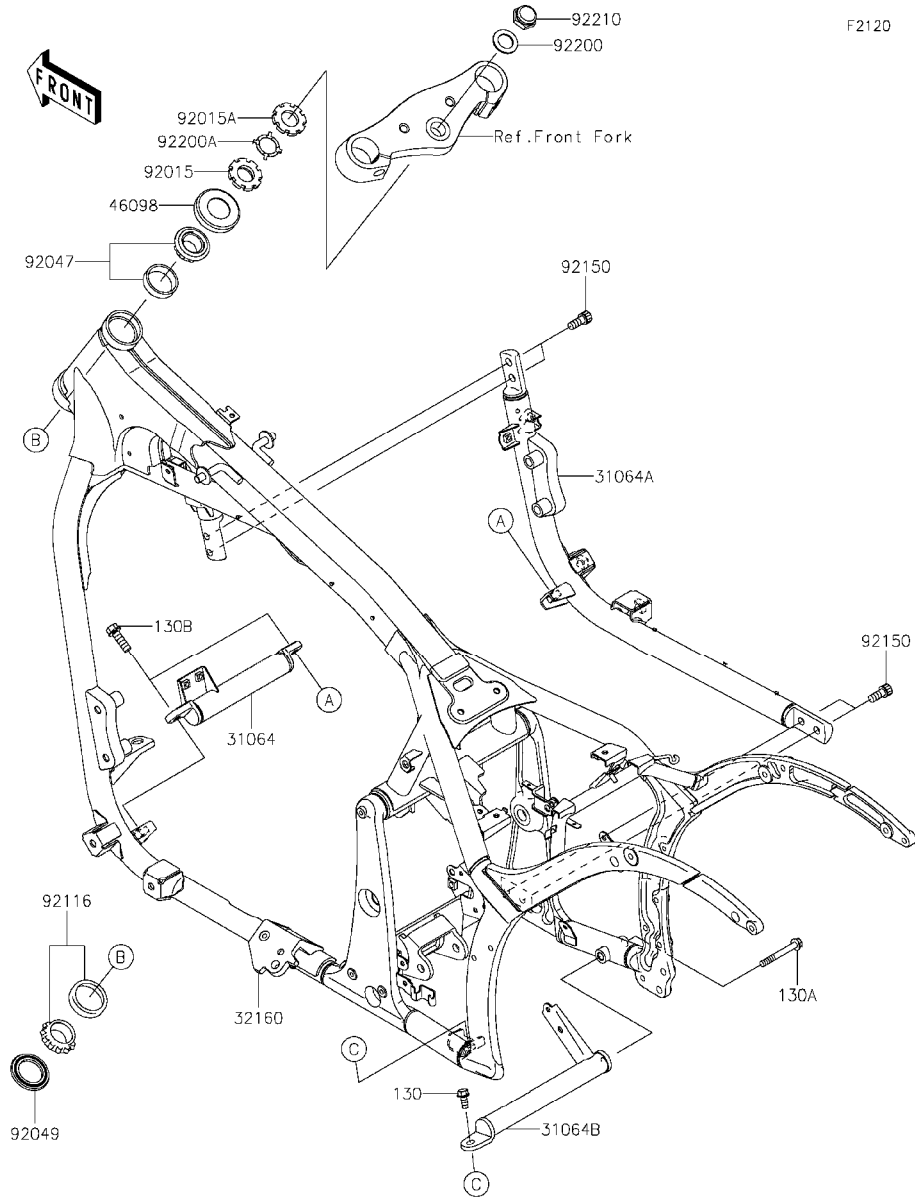
'12~'15 VN900 BCFA/BDF/BEF/BFF Chassis

GRID NO.

E-3

This grid covers:

Frame



F2120

Ref. No.	Part No.	Description	Spec Code	Quantity-VN900			
				'12	'13	'14	'15
				BCFA	BDF	BEF	BFF
31064	31064-0047-18R	PIPE-COMP,FRONT CROSS,F.S.BLK		1	1	1	1
31064A	31064-0097-18R	PIPE-COMP,DOWNTUBE,RH,F.S.BLK		1	1	1	1
31064B	31064-0184-18R	PIPE-COMP,REAR CROSS,F.S.BLACK		1	1	1	1
32160	32160-0597-18R	FRAME-COMP,F.S.BLACK		1	1	1	1
46098	46098-017	CAP,STEERING STEM		1	1	1	1
92015	92015-1377	NUT,25MM,T=10		1	1	1	1
92015A	92015-1378	NUT,25MM,T=6		1	1	1	1
92047	92047-017	RACE,ROLLER,32005JR RS		1	1	1	1
92049	92049-1162	SEAL-OIL,XMHE36X52X4J		1	1	1	1
92116	92116-1009	BEARING-ROLLER,HR320/28XJ		1	1	1	1
92150	92150-1942	BOLT, SOCKET,10X23		4	4	4	4
92200	92200-0270	WASHER,22.5X36X2.3		1	1	1	1
92200A	92200-0353	WASHER,CLAW,25.5X34X0.6		1	1	1	1
92210	92210-0263	NUT,CAP,22MM		1	1	1	1
130	130BB0818	BOLT-FLANGED,8X18		1	1	1	1
130A	130BB0865	BOLT-FLANGED,8X65		1	1	1	1
130B	130BB1025	BOLT-FLANGED,10X25		2	2	2	2

This catalog covers:

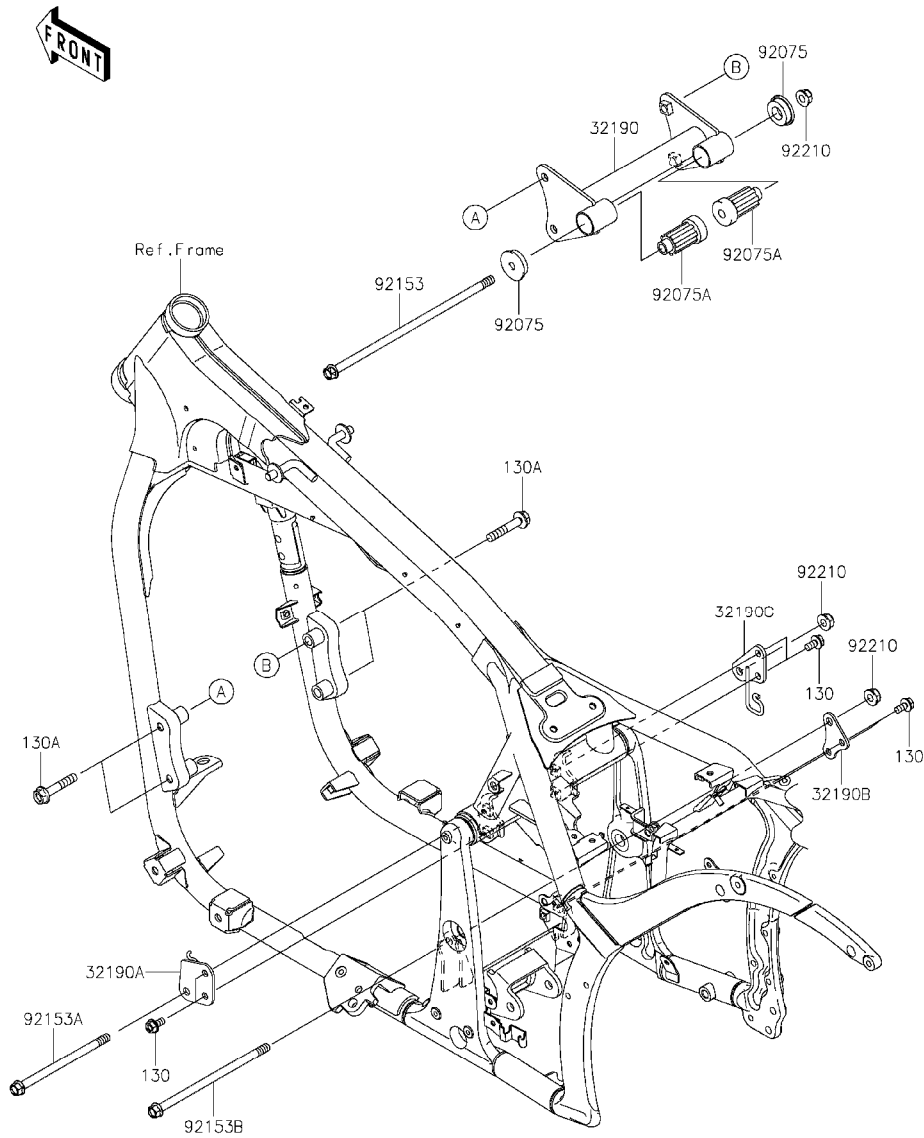
'12~'15 VN900 BCFA/BDF/BEF/BFF Chassis

GRID NO.

E-4

This grid covers:

Engine Mount



F2122

Ref. No.	Part No.	Description	Spec Code	Quantity-VN900			
				'12	'13	'14	'15
				BCFA	BDF	BEF	BFF
32190	32190-0229-18R	BRACKET-ENGINE,FR,F.S.BLACK	1	1	1	1	
32190A	32190-0274	BRACKET-ENGINE,RR,LH,UPP	1	1	1	1	
32190B	32190-0275	BRACKET-ENGINE,RR,RH,LWR	1	1	1	1	
32190C	32190-0276	BRACKET-ENGINE,RR,RH,UPP	1	1	1	1	
92075	92075-1738	DAMPER,ENGINE MOUNT	2	2	2	2	
92075A	92075-1739	DAMPER,ENGINE MOUNT,MAIN	2	2	2	2	
92153	92153-1909	BOLT,FLANGED,10X285	1	1	1	1	
92153A	92153-1910	BOLT,FLANGED,10X158	1	1	1	1	
92153B	92153-1911	BOLT,FLANGED,10X198	1	1	1	1	
92210	92210-1081	NUT,LOCK,FLANGED,10MM	3	3	3	3	
130	130BB0816	BOLT-FLANGED,8X16	6	6	6	6	
130A	130BB1055	BOLT-FLANGED,10X55	4	4	4	4	

This catalog covers:

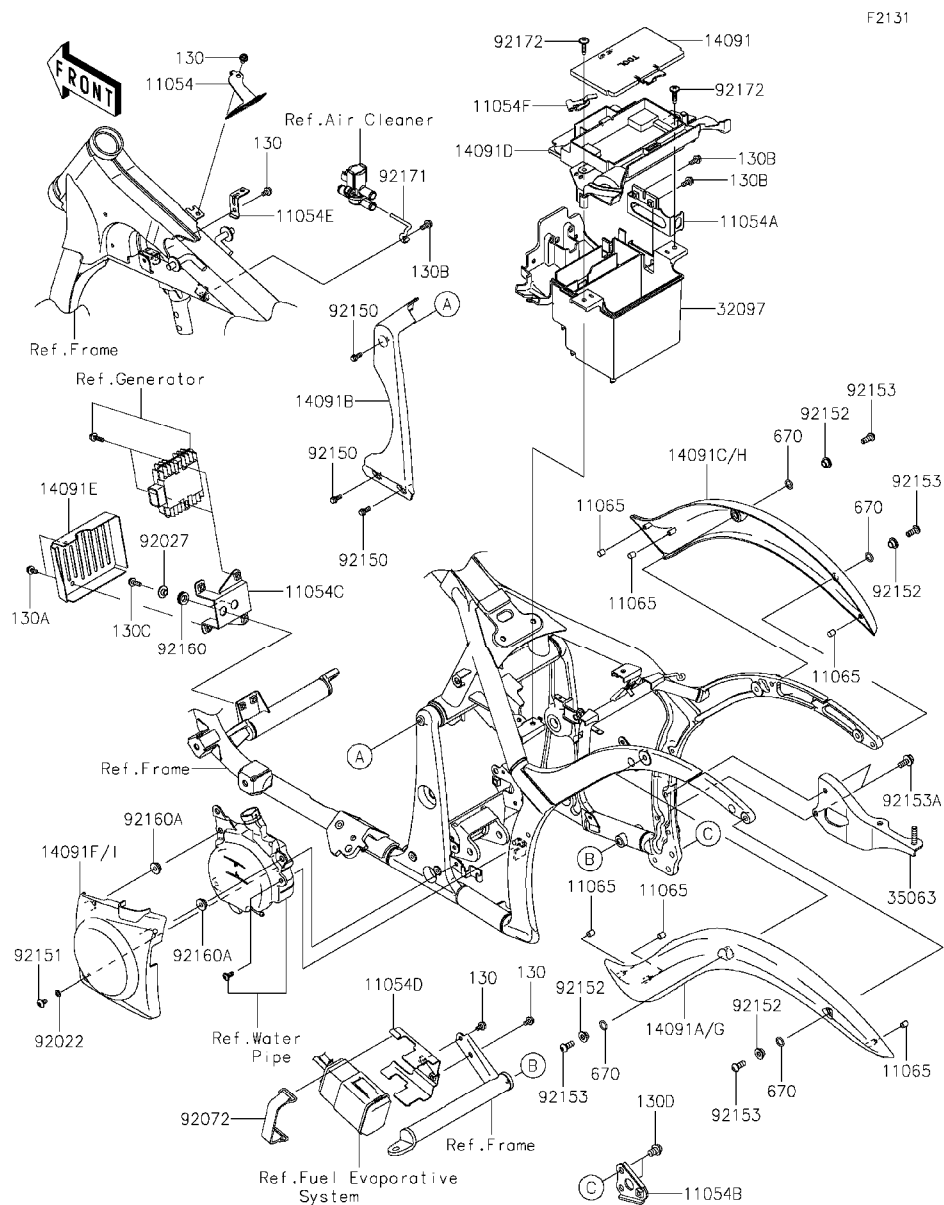
'12~'15 VN900 BCFA/BDF/BEF/BFF Chassis

GRID NO.

This grid covers:

E-5

Frame Fittings



Ref. No.	Part No.	Description	Spec Code	Quantity-VN900			
				'12 BCFA	'13 BDF	'14 BEF	'15 BFF
11054	11054-0119	BRACKET,FRONT COUPLER		1	1	1	1
11054A	11054-0120	BRACKET,RELAY BOX		1	1	1	1
11054B	11054-0122	BRACKET,MUFFLER		1	1	1	1
11054C	11054-0124	BRACKET,REGULATOR		1	1	1	1
11054D	11054-0147	BRACKET,CANISTER		1	1	1	1
11054E	11054-0736	BRACKET,BOOST SENSOR		1	1	1	1
11054F	11054-0738	BRACKET,HELMET LOCK		1	1	1	1
11065	11065-0156	CAP		6	6	6	6
14091	14091-0520	COVER,TOOL CASE		1	1	1	1
14091A	14091-0521	COVER,FENDER,LH					1
14091B	14091-0526	COVER,PIVOT		1	1	1	1
14091C	14091-0638	COVER,FENDER,RH					1
14091D	14091-0733	COVER,BATTERY CASE&TOOL CASE		1	1	1	1
14091E	14091-0836	COVER,REGULATOR		1	1	1	1
14091F	14091-1628	COVER,RESERVOIR TANK					1
14091G	14091-1728	COVER,FENDER,LH		1	1	1	
14091H	14091-1729	COVER,FENDER,RH		1	1	1	
14091I	14091-1772	COVER,RESERVOIR TANK		1	1	1	
32097	32097-0021	CASE-BATTERY		1	1	1	1
35063	35063-0342-18R	STAY,MUFFLER,F,S,BLACK		1	1	1	1
92022	92022-183	WASHER,6.2X11X1.5		1	1	1	1
92027	92027-1848	COLLAR,L=7.4		2	2	2	2
92072	92072-1384	BAND		1	1	1	1
92150	92150-1689	BOLT,FLANGED,6X14		3	3	3	3
92151	92151-1940	BOLT,SOCKET,6X12		1	1	1	1
92152	92152-0381	COLLAR		4	4	4	4
92153	92153-0912	BOLT,SOCKET,8X20		4	4	4	4
92153A	92153-1704	BOLT,FLANGED,8X20		2	2	2	2
92160	92160-1278	DAMPER		2	2	2	2
92160A	92160-1613	DAMPER		2	2	2	2
92171	92171-0600	CLAMP		1	1	1	1
92172	92172-0137	SCREW,6X26		2	2	2	2
130	130BB0610	BOLT-FLANGED,6X10		4	4	4	4
130A	130BB0612	BOLT-FLANGED,6X12		2	2	2	2
130B	130BB0614	BOLT-FLANGED,6X14		3	3	3	3
130C	130BB0620	BOLT-FLANGED,6X20		2	2	2	2
130D	130BB1014	BOLT-FLANGED,10X14		2	2	2	2
670	670B2012	O RING,12MM		4	4	4	4

This catalog covers:

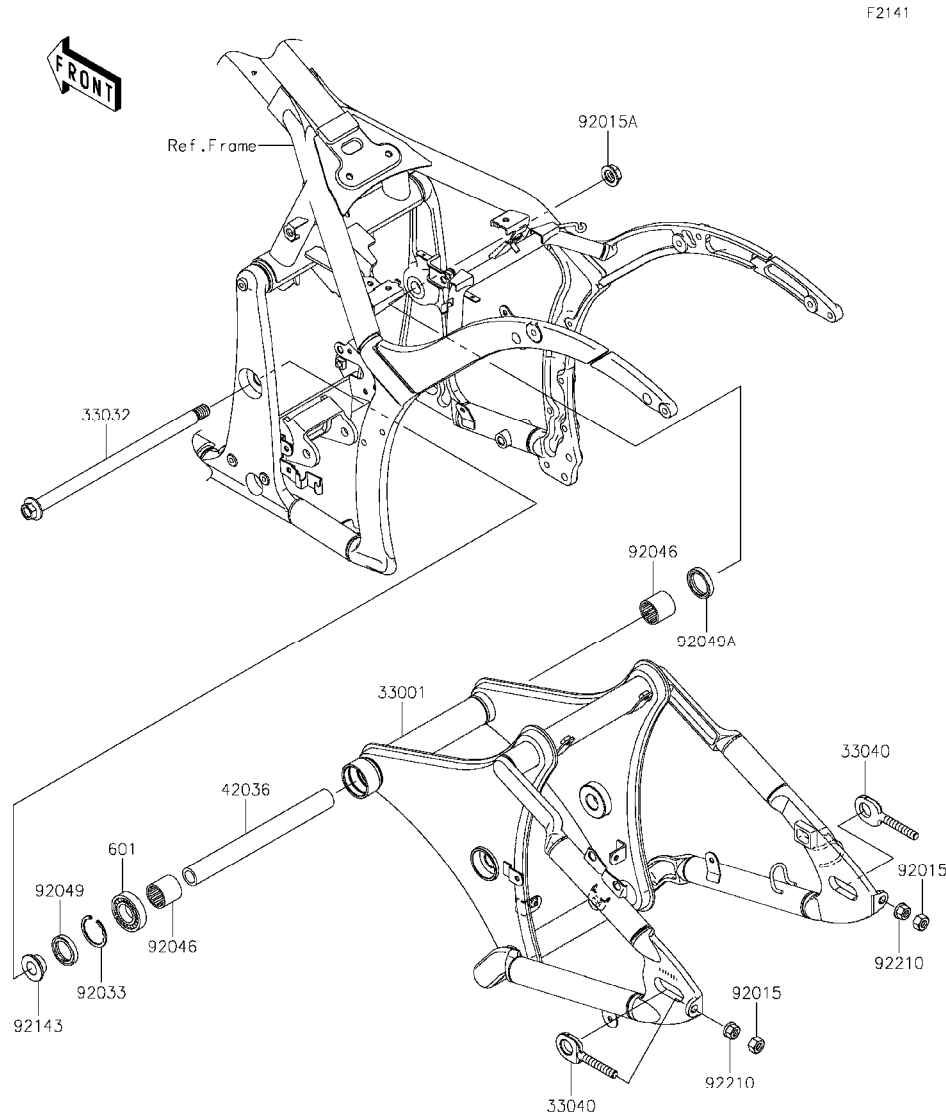
'12~'15 VN900 BCFA/BDF/BEF/BFF Chassis

GRID NO.

E-6

This grid covers:

Swingarm



F2141

Ref. No.	Part No.	Description	Spec Code	Quantity-VN900			
				'12	'13	'14	'15
				BCFA	BDF	BEF	BFF
33001	33001-0226-18R	ARM-COMP-SWING,F.S.BLACK		1	1	1	1
33032	33032-0018	SHAFT-SWING ARM		1	1	1	1
33040	33040-0005	ADJUSTER-CHAIN		2	2	2	2
42036	42036-0031	SLEEVE,SWING ARM,L=246		1	1	1	1
92015	92015-1494	NUT,LOCK,10MM		2	2	2	2
92015A	92015-1946	NUT,FLANGED,16MM		1	1	1	1
92033	92033-1040	RING-SNAP,40MM		1	1	1	1
92046	92046-1035	BEARING-NEEDLE,BHTM2530-1		2	2	2	2
92049	92049-1047	SEAL-OIL		1	1	1	1
92049A	92049-1060	SEAL-OIL,MH25334		1	1	1	1
92143	92143-1188	COLLAR,RR AXLE,L=14		1	1	1	1
92210	92210-0349	NUT,FLANGED,10MM		2	2	2	2
601	601A6203	BEARING-BALL,#6203		1	1	1	1

This catalog covers:

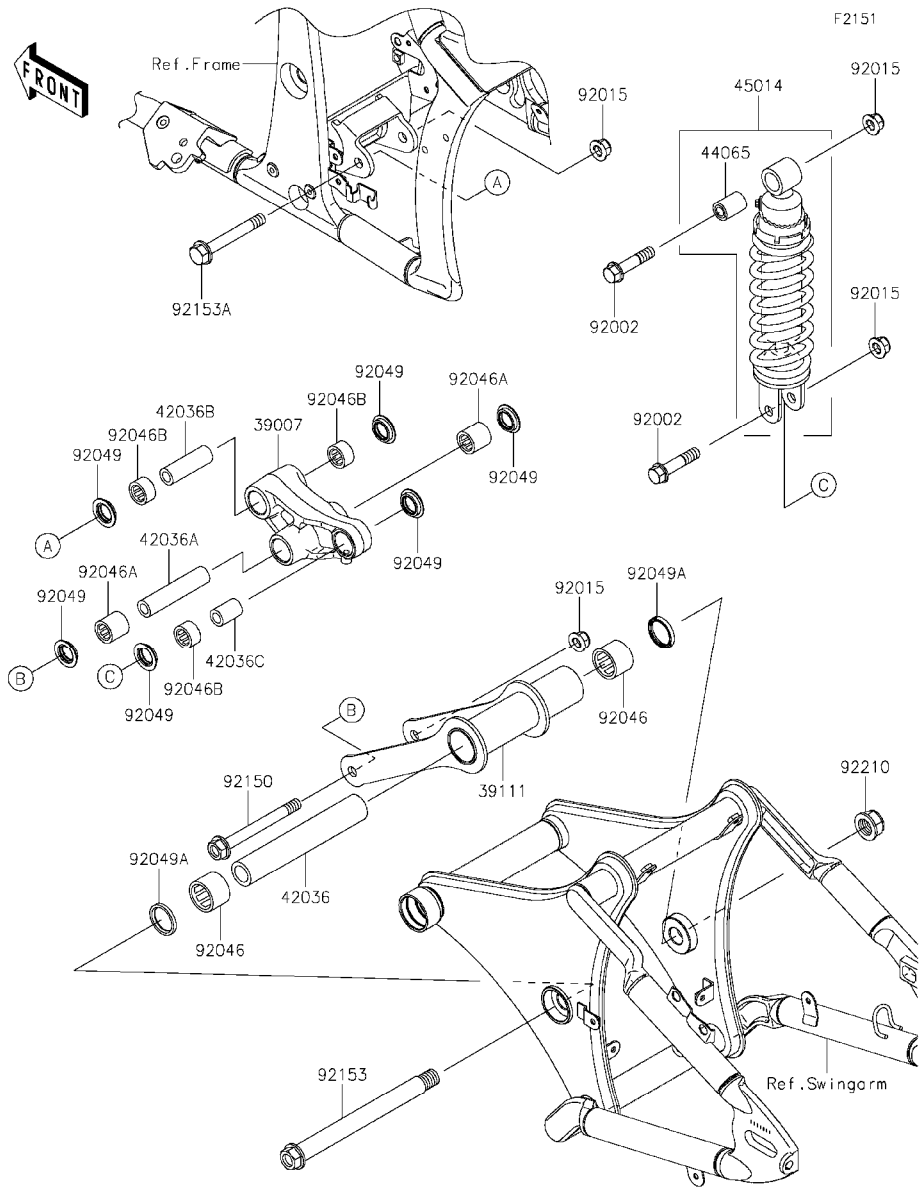
'12~'15 VN900 BCFA/BDF/BEF/BFF Chassis

GRID NO.

E-7

This grid covers:

Suspension/Shock Absorber



Ref. No.	Part No.	Description	Spec Code	Quantity-VN900			
				'12	'13	'14	'15
				BCFA	BDF	BEF	BFF
39007	39007-0160	ARM-SUSP,UNI TRAK		1	1	1	1
39111	39111-0026	ROD-TIE,SUSPENSION		1	1	1	1
42036	42036-0032	SLEEVE,20.1X30X171		1	1	1	1
42036A	42036-0040	SLEEVE,12.1X20X92		1	1	1	1
42036B	42036-1078	SLEEVE,ARM,FR		1	1	1	1
42036C	42036-1234	SLEEVE,12.1X20X30		1	1	1	1
44065	44065-1017	BUSHING,SHOCKABSORBER		1	1	1	1
45014	45014-0271	SHOCKABSORBER		1	1	1	1
92002	92002-1130	BOLT,12X55		2	2	2	2
92015	92015-1433	NUT,LOCK,FLANGED,12MM		4	4	4	4
92046	92046-0019	BEARING-NEEDLE,30BM3726		2	2	2	2
92046A	92046-1110	BEARING-NEEDLE,BM202726		2	2	2	2
92046B	92046-1112	BEARING-NEEDLE,BM202715		3	3	3	3
92049	92049-1109	SEAL-OIL,ARM		6	6	6	6
92049A	92049-1205	SEAL-OIL,BJN 30374		2	2	2	2
92150	92150-1895	BOLT,FLANGED,12X117		1	1	1	1
92153	92153-1392	BOLT,FLANGED,18X214		1	1	1	1
92153A	92153-1403	BOLT,FLANGED,12X90		1	1	1	1
92210	92210-0267	NUT,LOCK,18MM		1	1	1	1

This catalog covers:

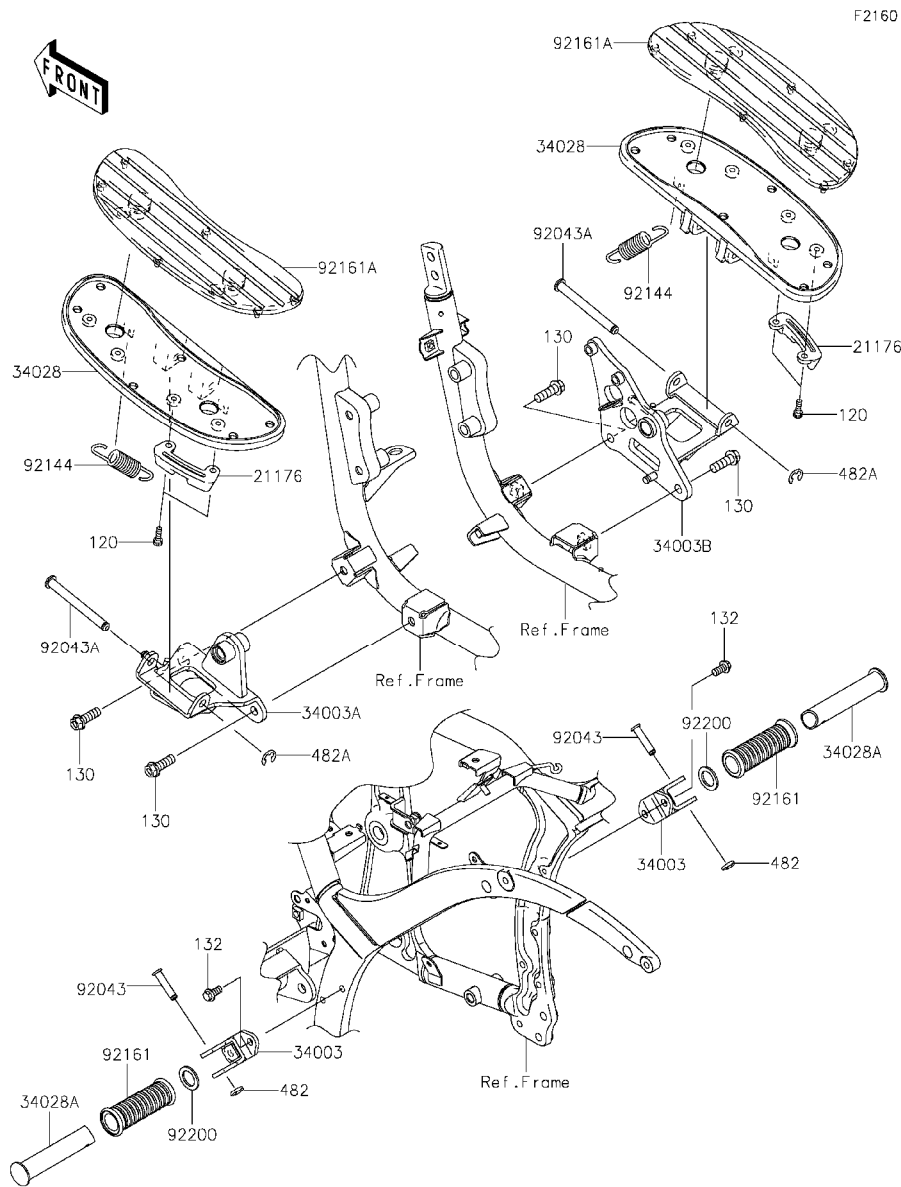
'12~'15 VN900 BCFA/BDF/BEF/BFF Chassis

GRID NO.

E-8

This grid covers:

Footrests



Ref. No.	Part No.	Description	Spec Code	Quantity-VN900			
				'12	'13	'14	'15
				BCFA	BDF	BEF	BFF
21176	21176-0021	SENSOR,BANK		2	2	2	2
34003	34003-0030-18R	HOLDER-STEP,RR,F.S.BLACK		2	2	2	2
34003A	34003-0039	HOLDER-STEP,FR,LH		1	1	1	1
34003B	34003-0050	HOLDER-STEP,FR,RH		1	1	1	1
34028	34028-0011	STEP,FR		2	2	2	2
34028A	34028-0017	STEP,RR		2	2	2	2
92043	92043-1339	PIN,8X36.5		2	2	2	2
92043A	92043-1707	PIN,10X98.5		2	2	2	2
92144	92144-1266	SPRING		2	2	2	2
92161	92161-0232	DAMPER,STEP		2	2	2	2
92161A	92161-1325	DAMPER,FRONT STEP		2	2	2	2
92200	92200-1482	WASHER,22.5X33X2.3		2	2	2	2
120	120CB0616	BOLT-SOCKET,6X16		4	4	4	4
130	130BB1030	BOLT-FLANGED,10X30		4	4	4	4
132	132BB0816	BOLT-FLANGED-SMALL,8X16		4	4	4	4
482	482EA7000	CIRCLIP-TYPE-E		2	2	2	2
482A	482EA8000	CIRCLIP-TYPE-E,8MM		2	2	2	2

This catalog covers:

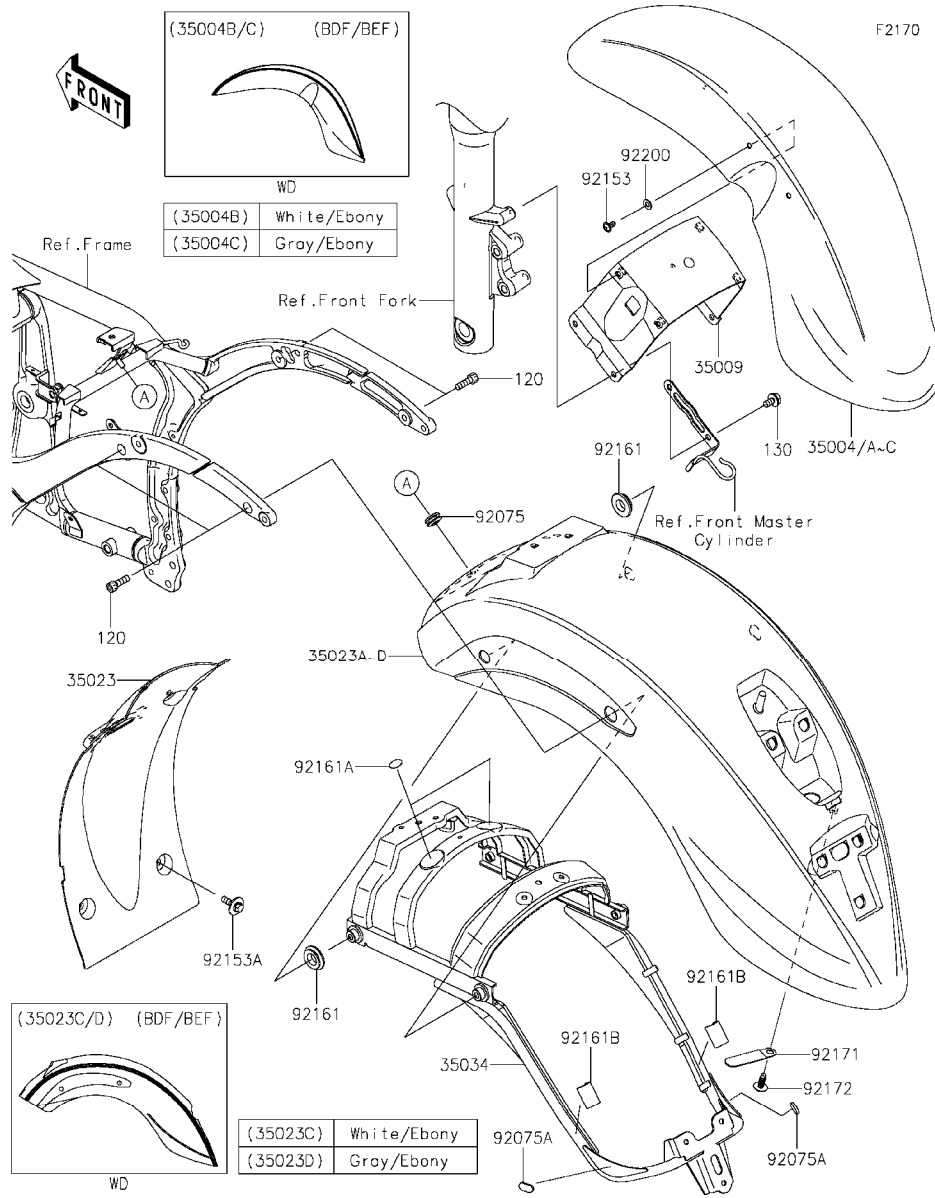
'12~'15 VN900 BCFA/BDF/BEF/BFF Chassis

GRID NO.

E-9

This grid covers:

Fenders(1/2)



Ref. No.	Part No.	Description	Spec Code	Quantity-VN900			
				'12 BCFA	'13 BDF	'14 BEF	'15 BFF
35004	35004-0062-10H	FENDER-FRONT,P.M.GRAY		1			
35004A	35004-0062-51A	FENDER-FRONT,M.C.GRAY					1
35004B	35004-5380-40Y	FENDER-FRONT,WHITE/EBONY			1		
35004C	35004-5392-46A	FENDER-FRONT,GRAY/EBONY				1	
35009	35009-0014	BRACE,FRONT FENDER		1	1	1	1
35023	35023-0073	FENDER-REAR,INNER		1	1	1	1
35023A	35023-0114-10H	FENDER-REAR,P.M.GRAY		1			
35023B	35023-0114-51A	FENDER-REAR,M.C.GRAY					1
35023C	35023-5207-40Y	FENDER-REAR,WHITE/EBONY			1		
35023D	35023-5231-46A	FENDER-REAR,GRAY/EBONY				1	
35034	35034-0090	REINFORCE,REAR FENDER		1	1	1	1

This catalog covers:

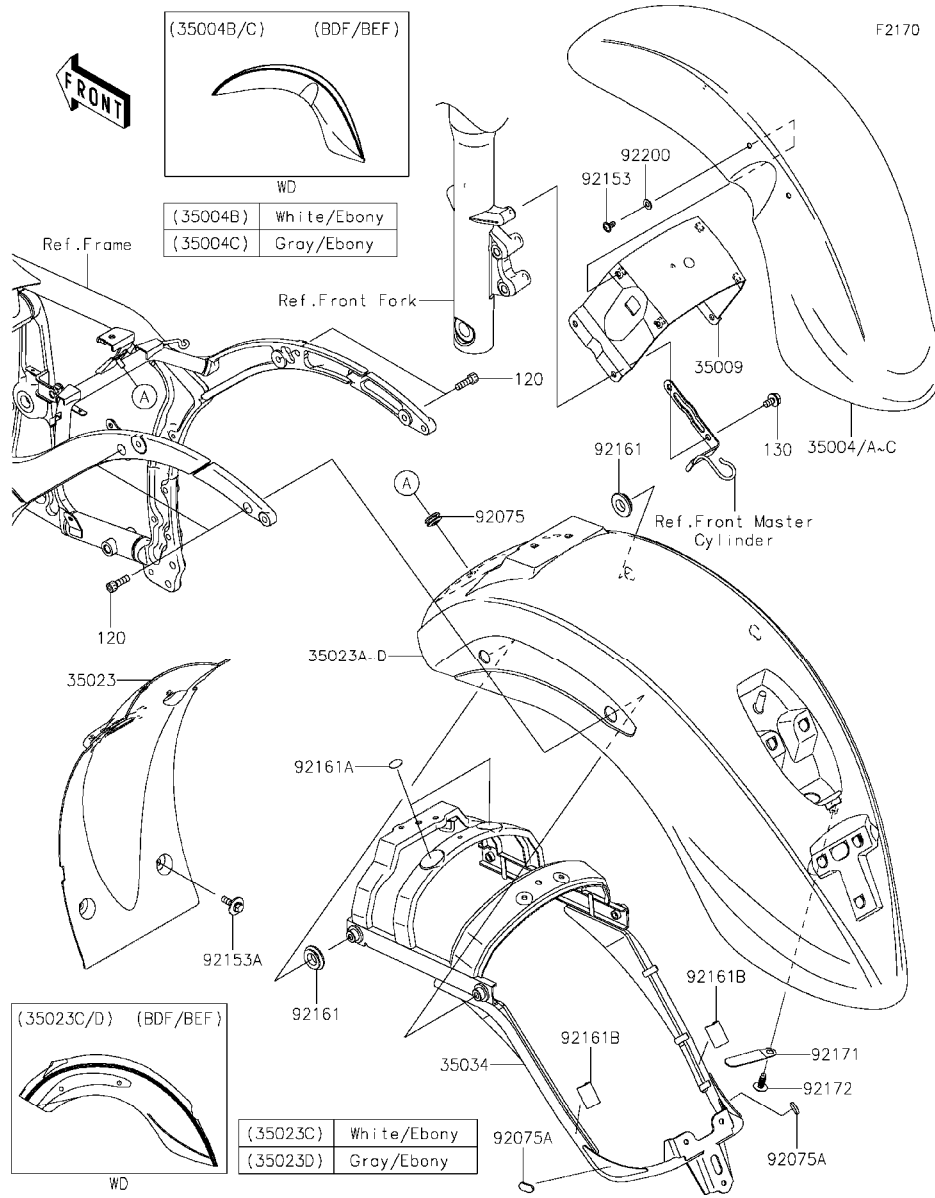
'12~'15 VN900 BCFA/BDF/BEF/BFF Chassis

GRID NO.

E-10

This grid covers:

Fenders(2/2)



Ref. No.	Part No.	Description	Spec Code	Quantity-VN900			
				'12	'13	'14	'15
				BCFA	BDF	BEF	BFF
92075	92075-1067	DAMPER		1	1	1	1
92075A	92075-1841	DAMPER		2	2	2	2
92153	92153-0817	BOLT, SOCKET, 6X16		4	4	4	4
92153A	92153-1599	BOLT, 6X20		4	4	4	4
92161	92161-0375	DAMPER		2	2	2	2
92161A	92161-0406	DAMPER		2	2	2	2
92161B	92161-0459	DAMPER		2	2	2	2
92171	92171-0181	CLAMP		1	1	1	1
92172	92172-0172	SCREW, TAPPING, 4X10		1	1	1	1
92200	92200-1388	WASHER, 6.5X14X1		4	4	4	4
120	120CA0825	BOLT-SOCKET, 8X25		4	4	4	4
130	130BB0814	BOLT-FLANGED, 8X14		4	4	4	4

This catalog covers:

'12~'15 VN900 BCFA/BDF/BEF/BFF Chassis

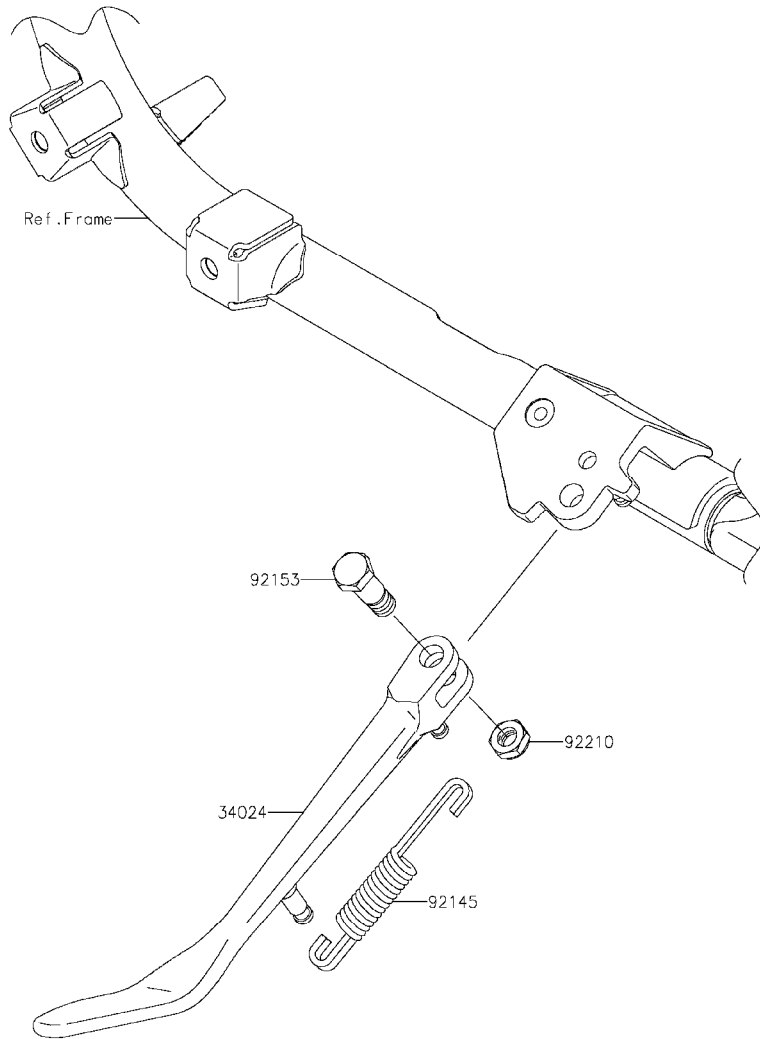
GRID NO.

E-11

This grid covers:

Stand(s)

F2190



Ref. No.	Part No.	Description	Spec Code	Quantity-VN900				
				'12	'13	'14	'15	
				BCFA	BDF	BEF	BFF	
34024	34024-0083	STAND-SIDE	1	1	1	1		
92145	92145-0687	SPRING,SIDE STAND	1	1	1	1		
92153	92153-1416	BOLT,SIDE STAND,10MM	1	1	1	1		
92210	92210-0784	NUT,LOCK,10MM	1	1	1	1		

This catalog covers:

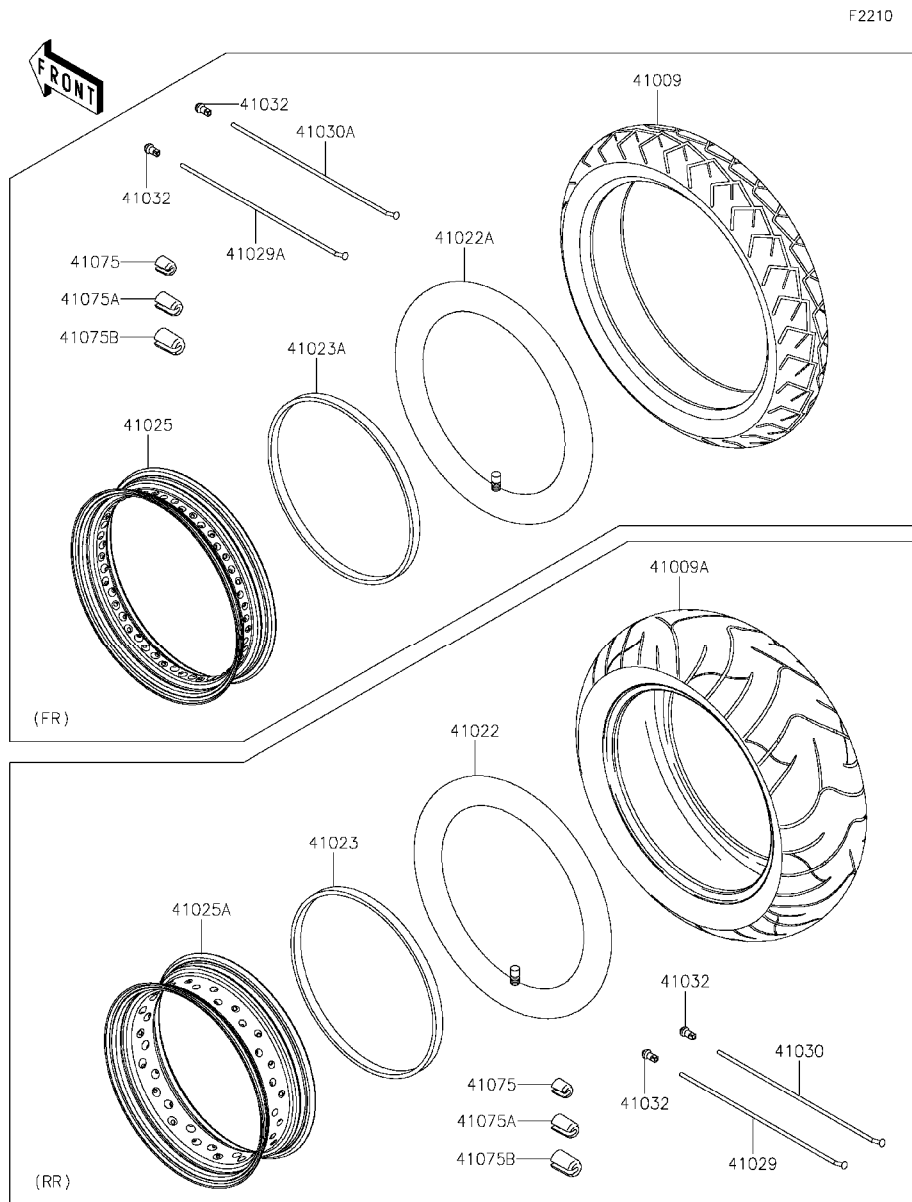
'12~'15 VN900 BCFA/BDF/BEF/BFF Chassis

GRID NO.

E-12

This grid covers:

Tires



Ref. No.	Part No.	Description	Spec Code	Quantity-VN900			
				'12	'13	'14	'15
				BCFA	BDF	BEF	BFF
41009	41009-0103	TIRE,FR,130/90-16 67H,D404F(D)	1	1	1	1	
41009A	41009-0104	TIRE,RR,180/70-15 76H,D404(D)	1	1	1	1	
41022	41022-0024	TUBE-TIRE,RR,180/70-15(D)	1	1	1	1	
41022A	41022-1192	TUBE-TIRE,FR,130/90-16(D)	1	1	1	1	
41023	41023-0008	BAND-RIM,RR,180/70-15(D)	1	1	1	1	
41023A	41023-1102	BAND-RIM,FR,140/90-16(D)	1	1	1	1	
41025	41025-0046	RIM,FR,3.00X16	1	1	1	1	
41025A	41025-0062	RIM,RR,4.50X15	1	1	1	1	
41029	41029-0022	SPOKE-INNER,RR,92.5MMX109,5D	18	18	18	18	
41029A	41029-0026	SPOKE-INNER,FR,154.5MMX117D	24	24	24	24	
41030	41030-0008	SPOKE-OUTER,RR,91.5MMX109D	18	18	18	18	
41030A	41030-0012	SPOKE-OUTER,FR,151.5MMX116D	24	24	24	24	
41032	41032-0005	NIPPLE-SPOKE	84	84	84	84	
41075	41075-0011	BALANCER-WHEEL,10G	AR	AR	AR	AR	
41075A	41075-0012	BALANCER-WHEEL,20G	AR	AR	AR	AR	
41075B	41075-0013	BALANCER-WHEEL,30G	AR	AR	AR	AR	

This catalog covers:

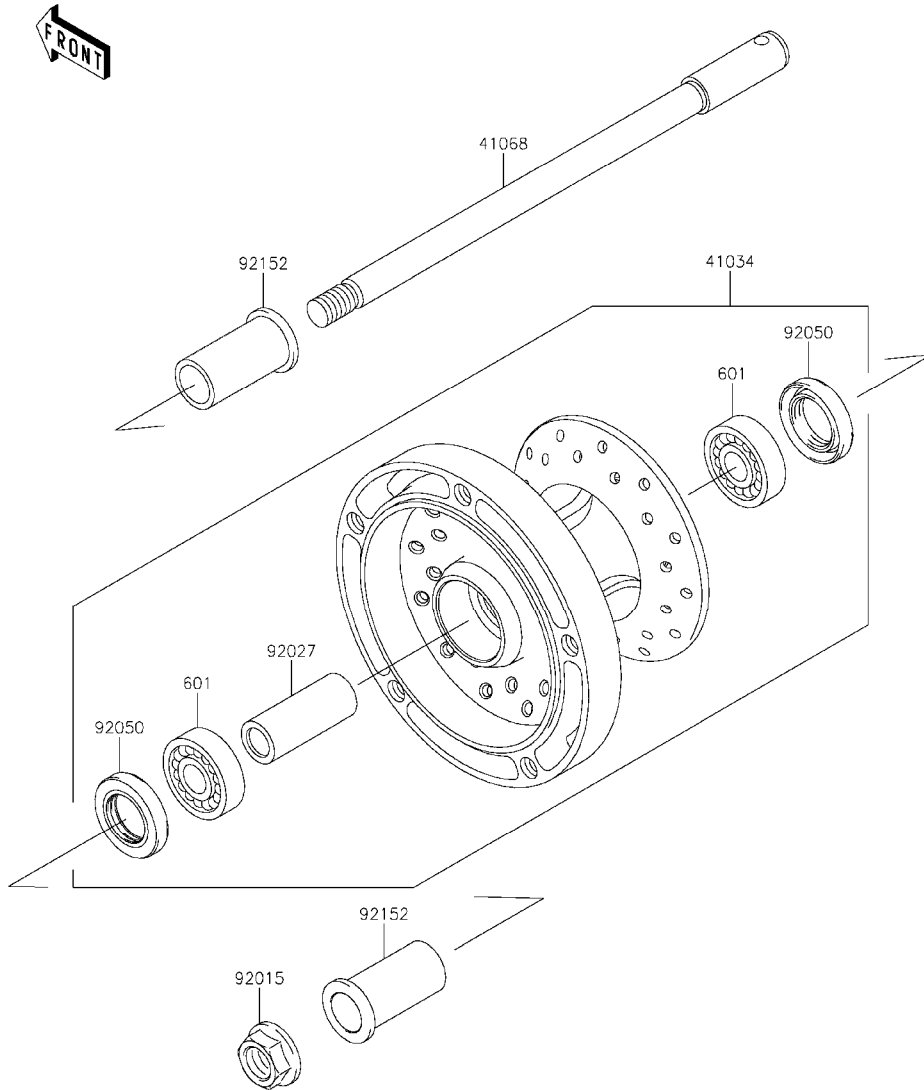
'12~'15 VN900 BCFA/BDF/BEF/BFF Chassis

GRID NO.

E-13

This grid covers:

Front Hub



F2230

Ref. No.	Part No.	Description	Spec Code	Quantity-VN900				
				'12	'13	'14	'15	
				BCFA	BDF	BEF	BFF	
41034	41034-0029	DRUM-ASSY,FRONT BRAKE	1	1	1	1		
41068	41068-0058	AXLE,FR	1	1	1	1		
92015	92015-1993	NUT,FLANGED,18MM	1	1	1	1		
92027	92027-1752	COLLAR,20.2X28X70	1	1	1	1		
92050	92050-060	SEAL-OIL,26X42X8	2	2	2	2		
92152	92152-0349	COLLAR,FR AXLE,L=53	2	2	2	2		
601	601B6004UG	BEARING-BALL,#6004UG	2	2	2	2		

This catalog covers:

'12~'15 VN900 BCFA/BDF/BEF/BFF Chassis

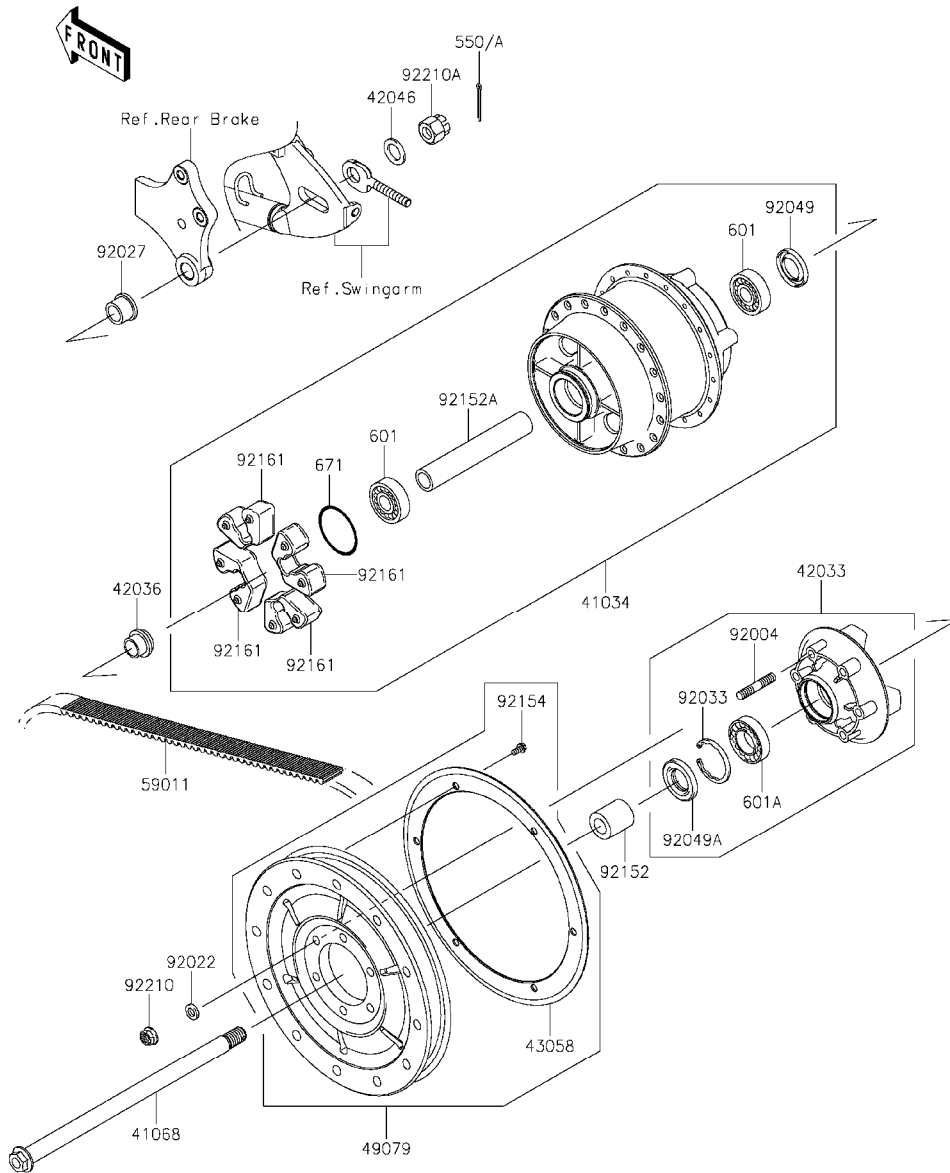
GRID NO.

E-14

This grid covers:

Rear Hub

F2240



Ref. No.	Part No.	Description	Spec Code	Quantity-VN900			
				'12	'13	'14	'15
				BCFA	BDF	BEF	BFF
41034	41034-0047	DRUM-ASSY,REAR BRAKE		1	1	1	1
41068	41068-0057	AXLE,RR		1	1	1	1
42033	42033-0037	COUPLING-ASSY,RR HUB		1	1	1	1
42036	42036-1251	SLEEVE,RR HUB,L=23		1	1	1	1
42046	42046-003	WASHER,21X33X2.6		1	1	1	1
43058	43058-0011	RING,REAR PULLEY		1	1	1	1
49079	49079-0011	PULLEY-BELT		1	1	1	1
59011	59011-0021	BELT,DRIVE,153T		1	1	1	1
92004	92004-0016	STUD,10X35		6	6	6	6
92022	92022-1820	WASHER,10.5X19X3.2		6	6	6	6
92027	92027-1902	COLLAR,RR AXLE,L=21.5		1	1	1	1
92033	92033-1043	RING-SNAP,52MM		1	1	1	1
92049	92049-1056	SEAL-OIL,BJN28475		1	1	1	1
92049A	92049-1287	SEAL-OIL		1	1	1	1
92152	92152-0350	COLLAR,RR AXLE,LH,L=38.6		1	1	1	1
92152A	92152-0351	COLLAR,REAR BRAKE DRUM,L=166.4		1	1	1	1
92154	92154-0346	BOLT,FLANGED,6X12		6	6	6	6
92161	92161-0466	DAMPER,SHOCK,RR HUB		4	4	4	4
92210	92210-0276	NUT,LOCK,FLANGED,10MM		6	6	6	6
92210A	92210-1134	NUT,CASTLE,18MM		1	1	1	1
550	550AA4035	PIN-COTTER,4,0X35		1	1	1	
550A	550AA4040	PIN-COTTER,4,0X40					1
601	601B6204UU	BEARING-BALL,6204UUC3		2	2	2	2
601A	601B6205UU	BEARING-BALL		1	1	1	1
671	671B2560	O RING,60MM		1	1	1	1

This catalog covers:

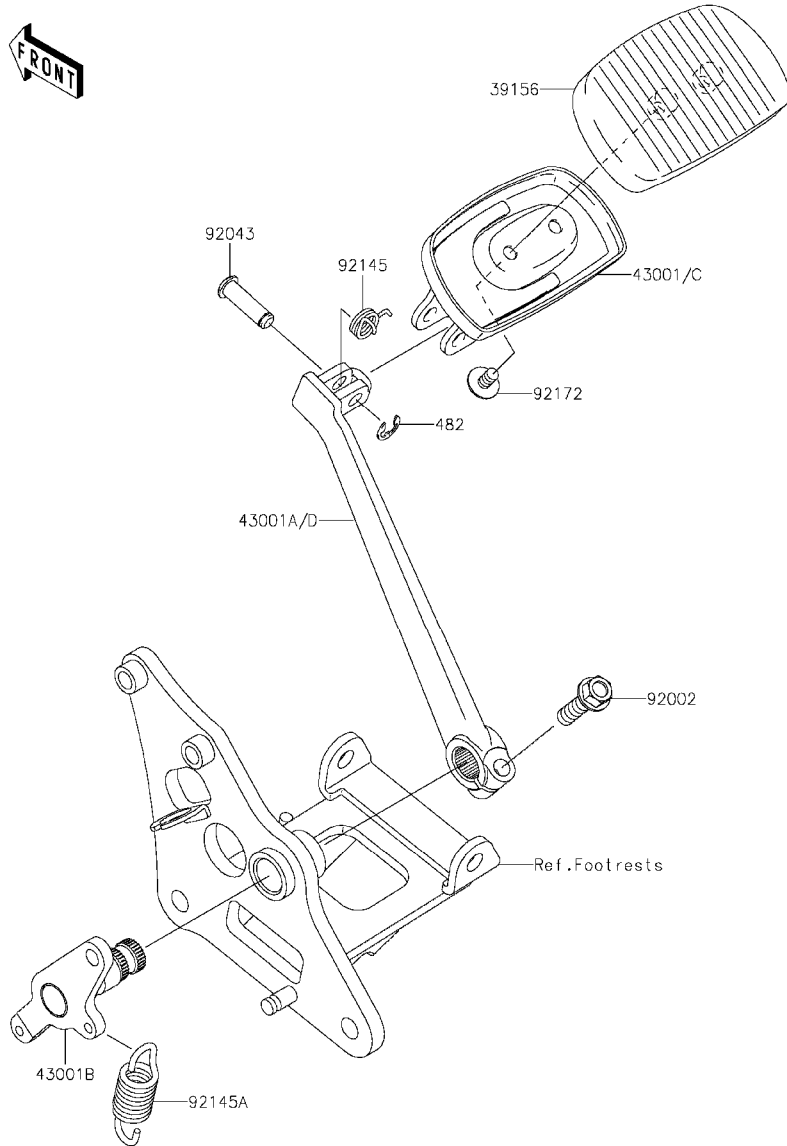
'12~'15 VN900 BCFA/BDF/BEF/BFF Chassis

GRID NO.

F-3

This grid covers:

Brake Pedal



F2260

Ref. No.	Part No.	Description	Spec Code	Quantity-VN900				
				'12	'13	'14	'15	
				BCFA	BDF	BEF	BFF	
39156	39156-0045	PAD,BRAKE PEDAL	1	1	1	1		
43001	43001-0023	LEVER-BRAKE					1	
43001A	43001-0056	LEVER-BRAKE,PEDAL					1	
43001B	43001-0057	LEVER-BRAKE	1	1	1	1		
43001C	43001-0709	LEVER-BRAKE	1	1	1			
43001D	43001-0715	LEVER-BRAKE,PEDAL	1	1	1			
92002	92002-1201	BOLT,FLANGED,8X25	1	1	1	1		
92043	92043-0047	PIN,8X24.5	1	1	1	1		
92145	92145-0168	SPRING	1	1	1	1		
92145A	92145-0191	SPRING,BRAKE PEDAL RETURN	1	1	1	1		
92172	92172-0098	SCREW,6X10	2	2	2	2		
482	482EA7000	CIRCLIP-TYPE-E	1	1	1	1		

This catalog covers:

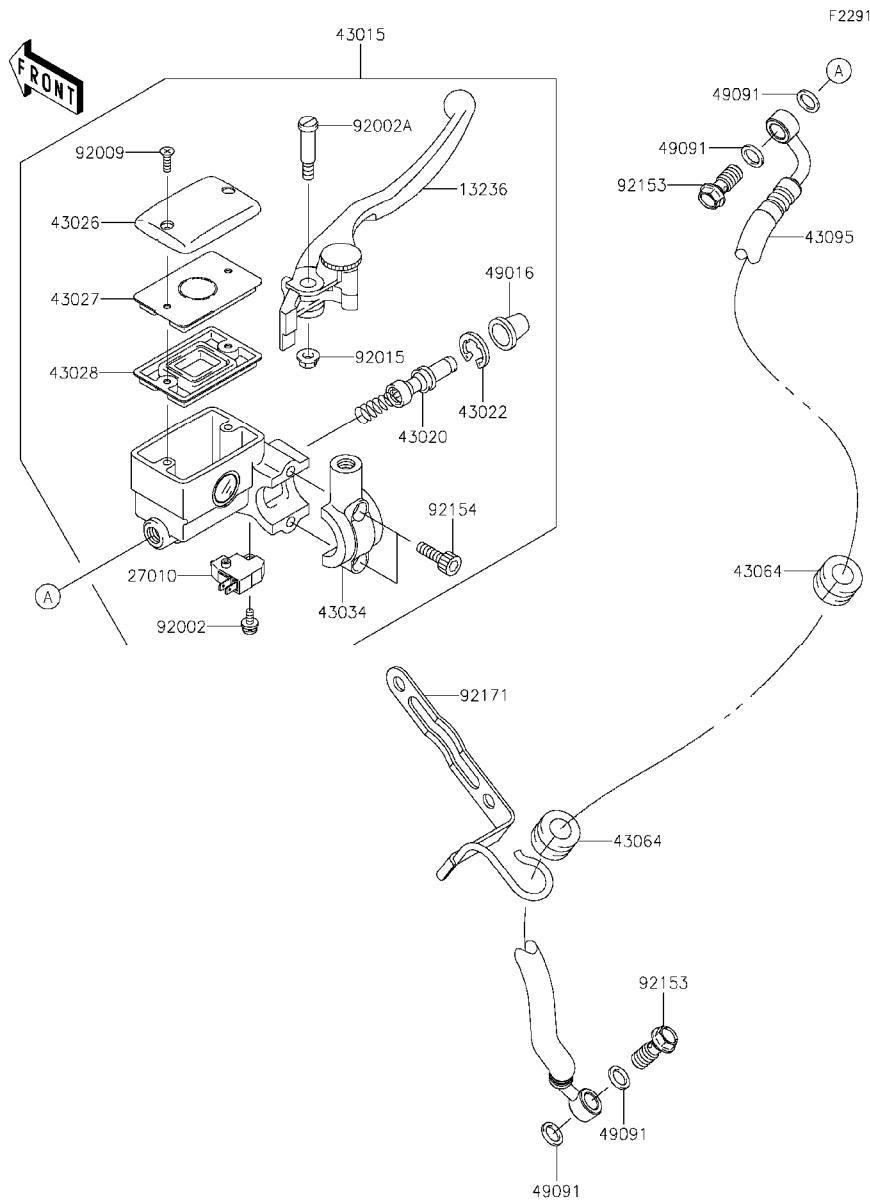
'12~'15 VN900 BCFA/BDF/BEF/BFF Chassis

GRID NO.

F-4

This grid covers:

Front Master Cylinder



Ref. No.	Part No.	Description	Spec Code	Quantity-VN900			
				'12	'13	'14	'15
				BCFA	BDF	BEF	BFF
13236	13236-1315	LEVER-COMP,FRONT BRAKE	1	1	1	1	
27010	27010-0025	SWITCH,BRAKE	1	1	1	1	
43015	43015-0169	CYLINDER-ASSY-MASTER,FR	1	1	1	1	
43020	43020-1098	PISTON-COMP-BRAKE	1	1	1	1	
43022	43022-1010	STOPPER-BRAKE,PISTON	1	1	1	1	
43026	43026-0025	CAP-BRAKE	1	1	1	1	
43027	43027-1059	PLATE-DIAPHRAGM	1	1	1	1	
43028	43028-1058	DIAPHRAGM,MASTER CYLINDER	1	1	1	1	
43034	43034-0071	HOLDER-BRAKE	1	1	1	1	
43064	43064-006	GROMMET,HOSE CLAMP	2	2	2	2	
43095	43095-0681	HOSE-BRAKE,FR	1	1	1	1	
49016	49016-1044	COVER-SEAL,MASTER CYLINDER	1	1	1	1	
49091	49091-0001	WASHER-SEAL,10,1X14,5X1,5	4	4	4	4	
92002	92002-1323	BOLT,SCREW,4X12	1	1	1	1	
92002A	92002-1561	BOLT,LEVER SET	1	1	1	1	
92009	92009-1458	SCREW,4MM	2	2	2	2	
92015	92015-1528	NUT,FLANGED,6MM	1	1	1	1	
92153	92153-1419	BOLT,OIL,L=23	2	2	2	2	
92154	92154-0541	BOLT,SOCKET,6MM	2	2	2	2	
92171	92171-0770	CLAMP,BRAKE HOSE	1	1	1	1	

This catalog covers:

'12~'15 VN900 BCFA/BDF/BEF/BFF Chassis

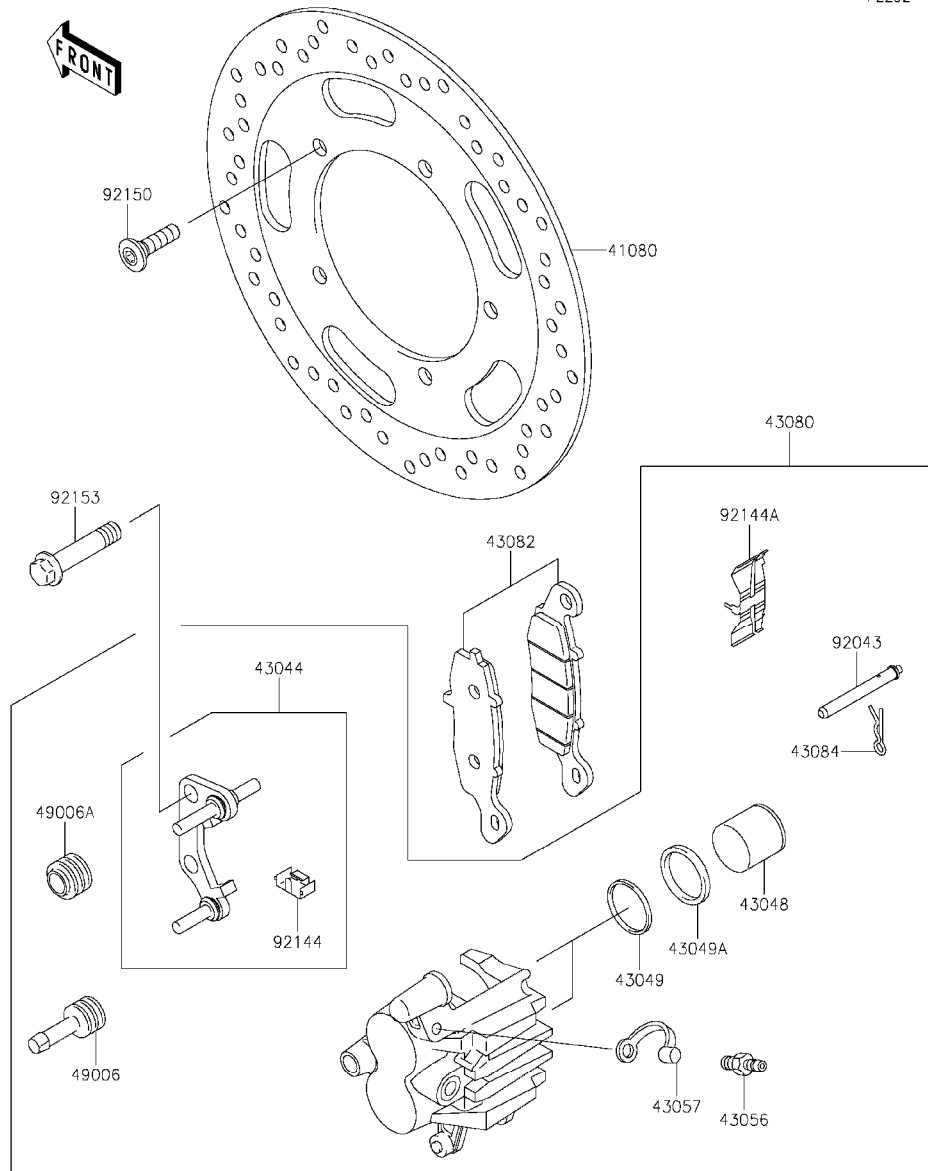
GRID NO.

F-5

This grid covers:

Front Brake

F2292



Ref. No.	Part No.	Description	Spec Code	Quantity-VN900				
				'12	'13	'14	'15	
				BCFA	BDF	BEF	BFF	
41080	41080-0095-CM	DISC,FR,SILVER	1	1	1	1		
43044	43044-1115	HOLDER-COMP-CALIPER,FR,LH	1	1	1	1		
43048	43048-1052	PISTON-CALIPER	2	2	2	2		
43049	43049-1055	PACKING,PISTON	2	2	2	2		
43049A	43049-1096	PACKING,PISTON SEAL	2	2	2	2		
43056	43056-0007	BREATHER-BRAKE	1	1	1	1		
43057	43057-003	CAP-BREATHER	1	1	1	1		
43080	43080-0076-DJ	CALIPER-SUB-ASSY,FR,LH,BLACK	1	1	1	1		
43082	43082-0009	PAD-ASSY-BRAKE,LH	1	1	1	1		
43084	43084-003	CLAMP,PAD	1	1	1	1		
49006	49006-1054	BOOT,CALIPER	1	1	1	1		
49006A	49006-1095	BOOT,CALIPER	1	1	1	1		
92043	92043-1489	PIN,PAD	1	1	1	1		
92144	92144-1831	SPRING,STOPPER	1	1	1	1		
92144A	92144-1832	SPRING,PAD,LH	1	1	1	1		
92150	92150-1771	BOLT,SOCKET,8X30	5	5	5	5		
92153	92153-0740	BOLT,FLANGED,10X47	2	2	2	2		

This catalog covers:

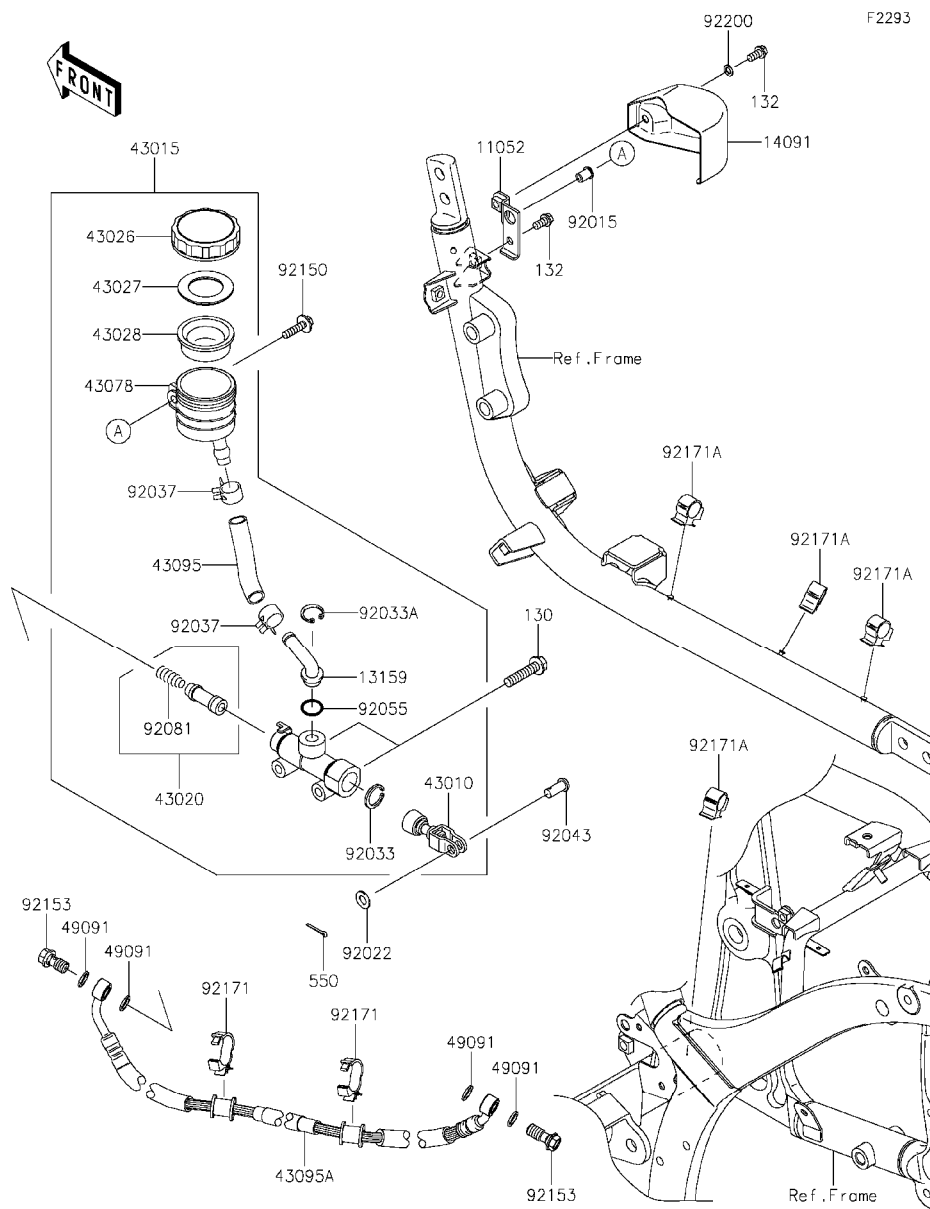
'12~'15 VN900 BCFA/BDF/BEF/BFF Chassis

GRID NO.

F-6

This grid covers:

Rear Master Cylinder



Ref. No.	Part No.	Description	Spec Code	Quantity-VN900			
				'12	'13	'14	'15
				BCFA	BDF	BEF	BFF
11052	11052-1305	BRACKET,RESERVOIR TANK		1	1	1	1
13159	13159-1052	CONNECTOR,RR MASTER CYLINDER		1	1	1	1
14091	14091-0536-18R	COVER,RESERVOIR TANK,F.S.BLACK		1	1	1	1
43010	43010-1062	ROD-ASSY-BRAKE		1	1	1	1
43015	43015-0081	CYLINDER-ASSY-MASTER,RR		1	1	1	1
43020	43020-1057	PISTON-COMP-BRAKE		1	1	1	1
43026	43026-1051	CAP-BRAKE		1	1	1	1
43027	43027-1051	PLATE-DIAPHRAGM		1	1	1	1
43028	43028-1057	DIAPHRAGM,MASTER CYLINDER		1	1	1	1
43078	43078-1178	RESERVOIR,RR MASTER CYLINDER		1	1	1	1
43095	43095-0306	HOSE-BRAKE,RR MASTER CYLINDER		1	1	1	1
43095A	43095-0682	HOSE-BRAKE,RR		1	1	1	1
49091	49091-0001	WASHER-SEAL,10,1X14,5X1,5		4	4	4	4
92015	92015-1700	NUT		1	1	1	1
92022	92022-1582	WASHER,8.5X16X1.2		1	1	1	1
92033	92033-0079	RING-SNAP,20.9X24.6X1.2		1	1	1	1
92033A	92033-1186	RING-SNAP,20,5MM		1	1	1	1
92037	92037-1547	CLAMP,BRAKE HOSE		2	2	2	2
92043	92043-1013	PIN,8X16		1	1	1	1
92055	92055-0741	RING-O,14.8X2.4		1	1	1	1
92081	92081-1737	SPRING,MASTER CYLINDER		1	1	1	1
92150	92150-1829	BOLT,6X25		1	1	1	1
92153	92153-1419	BOLT,OIL,L=23		2	2	2	2
92171	92171-0782	CLAMP		2	2	2	2
92171A	92171-1424	CLAMP,DIA=15		4	4	4	4
92200	92200-1465	WASHER,6.2X10X1		1	1	1	1
130	130BB0835	BOLT-FLANGED,8X35		2	2	2	2
132	132BB0612	BOLT-FLANGED-SMALL,6X12		2	2	2	2
550	550AA2015	PIN-COTTER,2.0X15		1	1	1	1

This catalog covers:

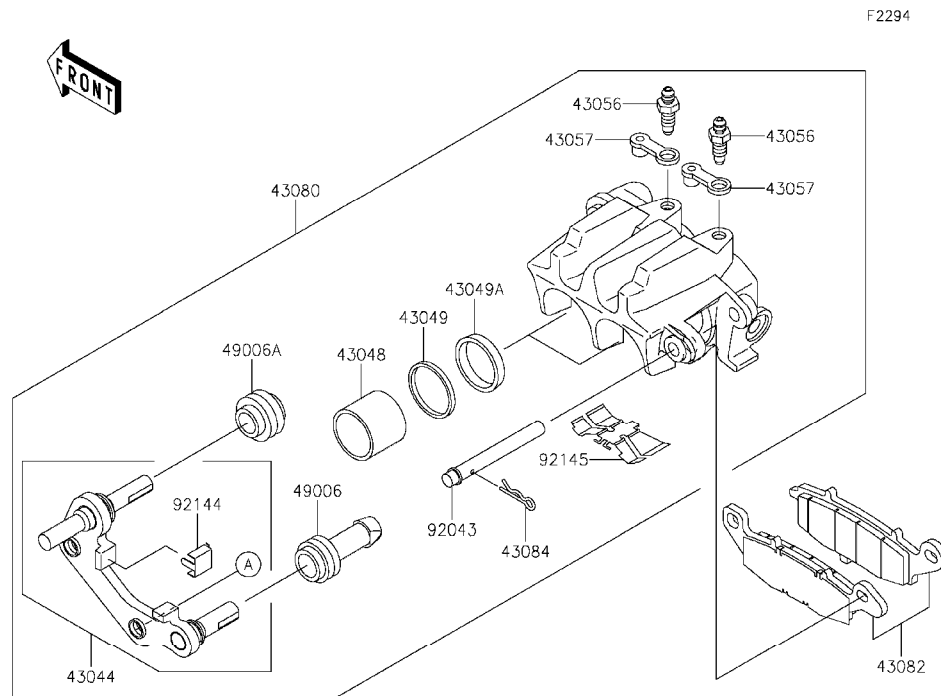
'12~'15 VN900 BCFA/BDF/BEF/BFF Chassis

GRID NO.

F-7

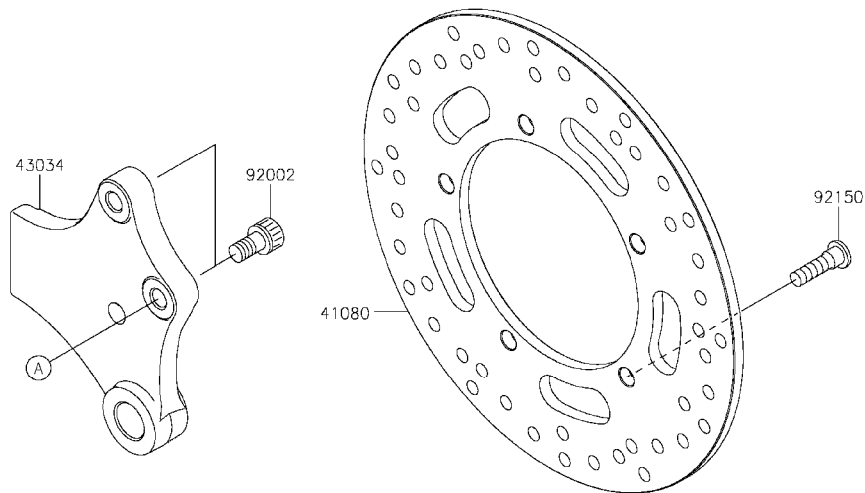
This grid covers:

Rear Brake



F2294

Ref. No.	Part No.	Description	Spec Code	Quantity-VN900			
				'12	'13	'14	'15
				BCFA	BDF	BEF	BFF
41080	41080-0093-CM	DISC,RR,SILVER		1	1	1	1
43034	43034-0061	HOLDER-BRAKE,REAR CALIPER		1	1	1	1
43044	43044-1134	HOLDER-COMP-CALIPER,RR		1	1	1	1
43048	43048-1094	PISTON-CALIPER		2	2	2	2
43049	43049-1068	PACKING		2	2	2	2
43049A	43049-1092	PACKING,PISTON SEAL		2	2	2	2
43056	43056-0007	BREATHER-BRAKE		2	2	2	2
43057	43057-003	CAP-BREATHER		2	2	2	2
43080	43080-5098-DJ	CALIPER-SUB-ASSY,RR,BLACK		1	1	1	1
43082	43082-0063	PAD-ASSY-BRAKE		1	1	1	1
43084	43084-003	CLAMP,PAD		1	1	1	1
49006	49006-1094	BOOT,CALIPER		1	1	1	1
49006A	49006-1095	BOOT,CALIPER		1	1	1	1
92002	92002-1713	BOLT, SOCKET,10X17		2	2	2	2
92043	92043-1640	PIN,PAD		1	1	1	1
92144	92144-1831	SPRING,STOPPER		1	1	1	1
92145	92145-1382	SPRING,PAD		1	1	1	1
92150	92150-1771	BOLT, SOCKET,8X30		5	5	5	5



This catalog covers:

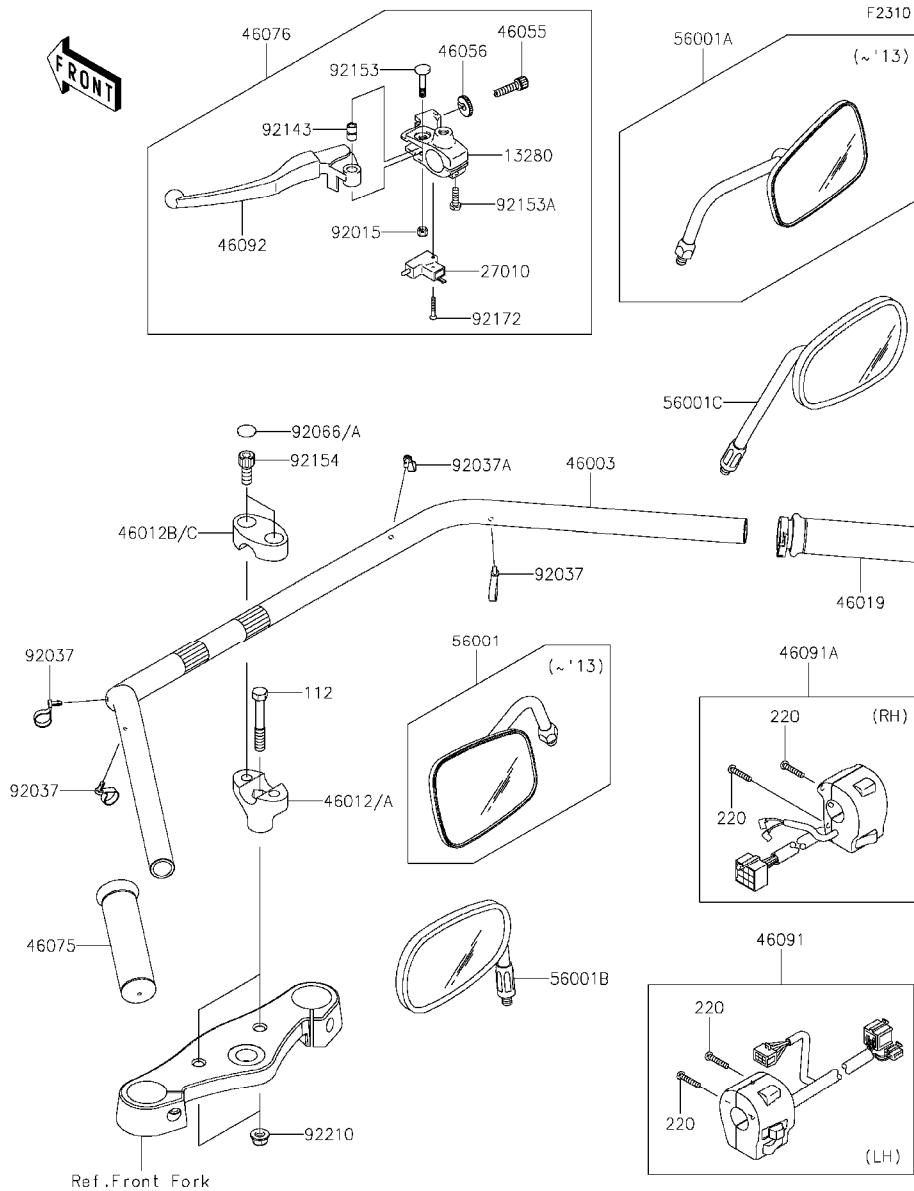
'12~'15 VN900 BCFA/BDF/BEF/BFF Chassis

GRID NO.

F-8

This grid covers:

Handlebar



Ref. No.	Part No.	Description	Spec Code	Quantity-VN900			
				'12	'13	'14	'15
				BCFA	BDF	BEF	BFF
13280	13280-1101	HOLDER,CLUTCH LEVER		1	1	1	1
27010	27010-1268	SWITCH,CLUTCH		1	1	1	1
46003	46003-0155	HANDLE		1	1	1	1
46012	46012-0085	HOLDER-HANDLE,LWR					2
46012A	46012-0311-21	HOLDER-HANDLE,LWR,F.BLACK		2	2	2	
46012B	46012-1273	HOLDER-HANDLE,UPP					2
46012C	46012-1292-21	HOLDER-HANDLE,UPP,F.BLACK		2	2	2	
46019	46019-1123	GRIP-ASSY, THROTTLE		1	1	1	1
46055	46055-003	SCREW,CABLE ADJUST,8MM		1	1	1	1
46056	46056-005	NUT,CABLE ADJUST LOCK,8MM		1	1	1	1
46075	46075-1212	GRIP,LH		1	1	1	1
46076	46076-0075	LEVER-ASSY-GRIP,CLUTCH		1	1	1	1
46091	46091-0230	HOUSING-ASSY-CONTROL,LH		1	1	1	1
46091A	46091-0231	HOUSING-ASSY-CONTROL,RH		1	1	1	1
46092	46092-1204	LEVER-GRIP,CLUCTH		1	1	1	1
56001	56001-0063	MIRROR-ASSY,LH		1	1		
56001A	56001-0064	MIRROR-ASSY,RH		1	1		
56001B	56001-0282	MIRROR-ASSY,LH				1	1
56001C	56001-0283	MIRROR-ASSY,RH				1	1
92015	92015-1191	NUT,LOCK,6MM,BLACK		1	1	1	1
92037	92037-1163	CLAMP,SPEED,L=58		3	3	3	3
92037A	92037-1903	CLAMP,SPEED,L=80.5		1	1	1	1
92066	92066-0718	PLUG		4	4	4	
92066A	92066-1285	PLUG					4
92143	92143-1351	COLLAR		1	1	1	1
92153	92153-0716	BOLT,LEVER SET		1	1	1	1
92153A	92153-0721	BOLT,6X20		1	1	1	1
92154	92154-0350	BOLT,SOCKET,10X25		4	4	4	4
92172	92172-0164	SCREW,3X20		1	1	1	1
92210	92210-1139	NUT,LOCK,FLANGED,10MM		2	2	2	2
112	112BA1065	BOLT-UPSET,10X65		2	2	2	2
220	220R0525	SCREW-PAN-CROS,5X25		4	4	4	4

This catalog covers:

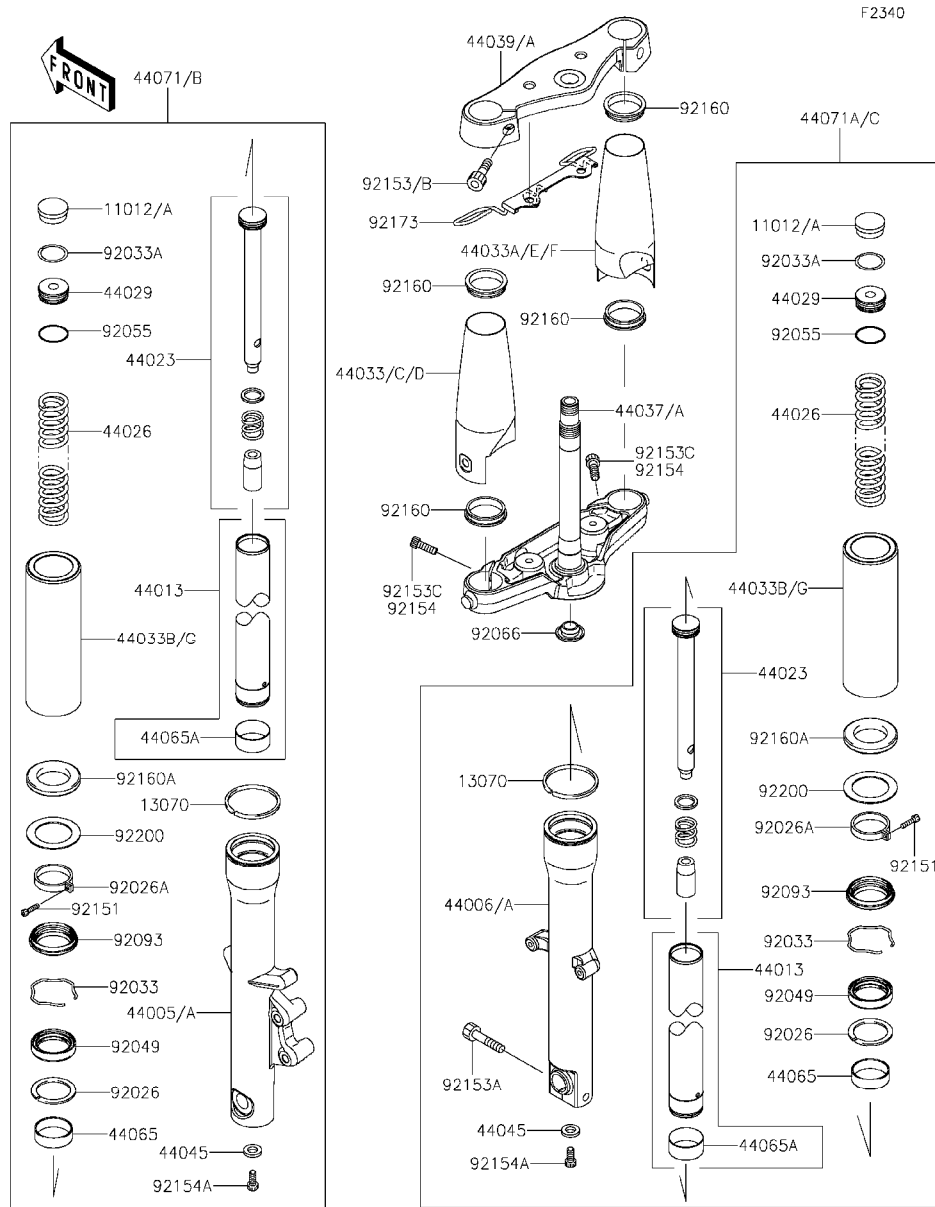
'12~'15 VN900 BCFA/BDF/BEF/BFF Chassis

GRID NO.

This grid covers:

F-9

Front Fork(1/2)



Ref. No.	Part No.	Description	Spec Code	Quantity-VN900			
				'12 BCFA	'13 BDF	'14 BEF	'15 BFF
11012	11012-1561	CAP,FORK TOP		2	2	2	
11012A	11012-1618	CAP,FORK TOP					2
13070	13070-0056	GUIDE		2	2	2	2
44005	44005-0104	PIPE-LEFT FORK OUTER					1
44005A	44005-0105	PIPE-LEFT FORK OUTER		1	1	1	
44006	44006-0104	PIPE-RIGHT FORK OUTER					1
44006A	44006-0105	PIPE-RIGHT FORK OUTER		1	1	1	
44013	44013-0257	PIPE-FORK INNER		2	2	2	2
44023	44023-0126	CYLINDER-SET-FORK		2	2	2	2
44026	44026-0190	SPRING-FRONT FORK		2	2	2	2
44029	44029-0019	SEAT-FORK SPRING		2	2	2	2
44033	44033-0035	COVER-FORK,LH					1
44033A	44033-0037	COVER-FORK,RH					1
44033B	44033-0039	COVER-FORK					2
44033C	44033-0069-18R	COVER-FORK,LH,F.S.BLACK				1	
44033D	44033-0069-21	COVER-FORK,LH,F.BLACK		1	1		
44033E	44033-0070-18R	COVER-FORK,RH,F.S.BLACK					1
44033F	44033-0070-21	COVER-FORK,RH,F.BLACK		1	1		
44033G	44033-0071-18R	COVER-FORK,F.S.BLACK		2	2	2	
44037	44037-0068-CE	HOLDER-FORK UNDER,SILVER					1
44037A	44037-0068-18R	HOLDER-FORK UNDER,F.S.BLACK		1	1	1	
44039	44039-0062	HOLDER-FORK UPPER					1
44039A	44039-0087-18R	HOLDER-FORK UPPER,F.S.BLACK		1	1	1	
44045	44045-051	GASKET,FORK CYLINDER BOLT		2	2	2	2
44065	44065-0019	BUSHING-FRONT FORK		2	2	2	2
44065A	44065-1087	BUSHING-FRONT FORK,INNER PIPE		2	2	2	2
44071	44071-1087	DAMPER-ASSY,FORK,LH					1
44071A	44071-1088	DAMPER-ASSY,FORK,RH					1
44071B	44071-1089	DAMPER-ASSY,FORK,LH		1	1	1	
44071C	44071-1090	DAMPER-ASSY,FORK,RH		1	1	1	
92026	92026-0090	SPACER,FORK		2	2	2	2
92026A	92026-1515	SPACER		2	2	2	2
92033	92033-0756	RING-SNAP		2	2	2	2
92033A	92033-0757	RING-SNAP		2	2	2	2
92049	92049-0058	SEAL-OIL		2	2	2	2
92055	92055-1363	RING-O,SPRING SEAT		2	2	2	2
92066	92066-0078	PLUG		1	1	1	1
92093	92093-0659	SEAL,DUST		2	2	2	2
92151	92151-1356	BOLT,SOCKET,4X16		2	2	2	2
92153	92153-0500	BOLT,SOCKET,8X30					2

This catalog covers:

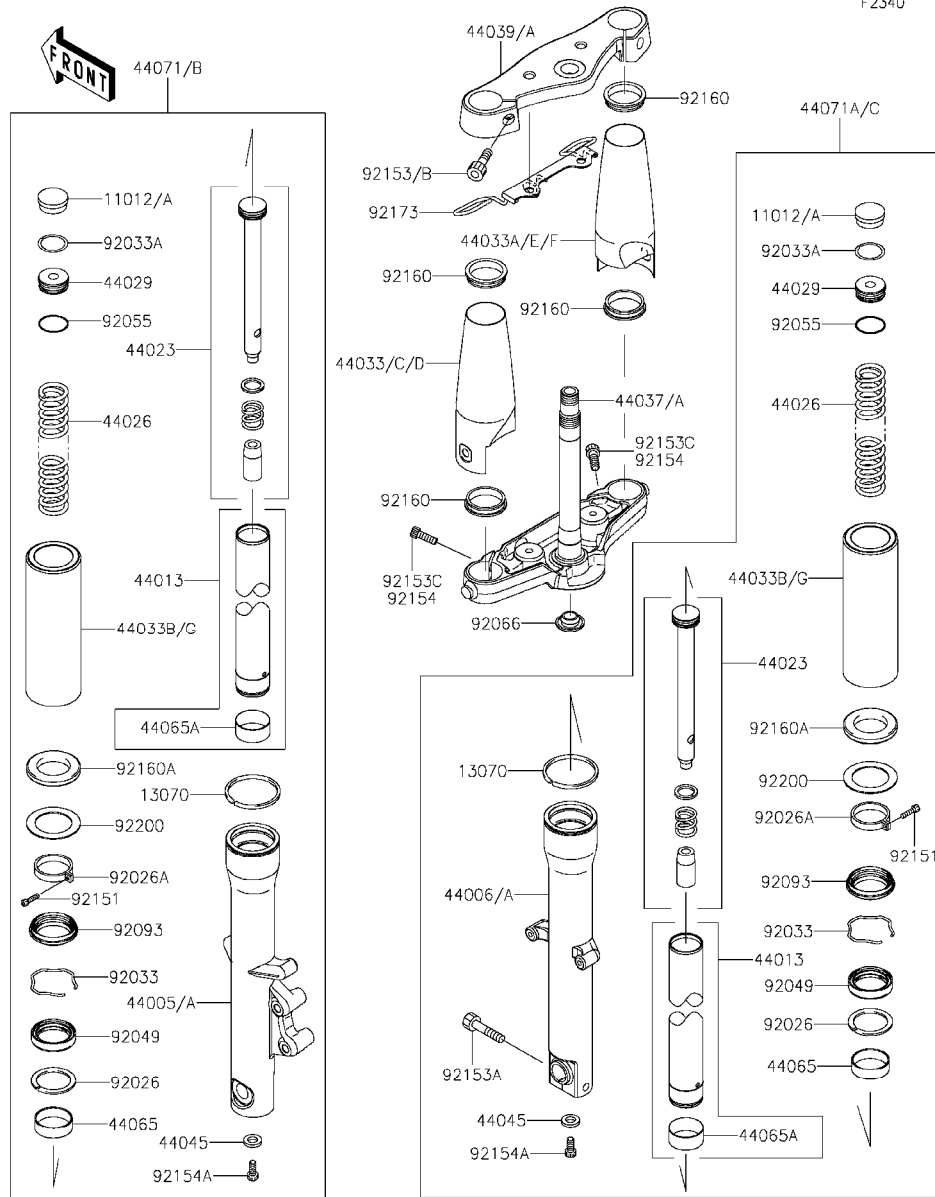
'12~'15 VN900 BCFA/BDF/BEF/BFF Chassis

GRID NO.

F-10

This grid covers:

Front Fork(2/2)



Ref. No.	Part No.	Description	Spec Code	Quantity-VN900				
				'12 BCFA	'13 BDF	'14 BEF	'15 BFF	
92153A	92153-0533	BOLT		1	1	1	1	
92153B	92153-0712	BOLT, SOCKET, 8X30		2	2	2		
92153C	92153-1376	BOLT, SOCKET, 10X25						2
92154	92154-0252	BOLT, SOCKET, 10X25		2	2	2		
92154A	92154-1677	BOLT		2	2	2	2	
92160	92160-1892	DAMPER		4	4	4	4	
92160A	92160-1927	DAMPER		2	2	2	2	
92173	92173-0165	CLAMP		1	1	1	1	
92200	92200-1417	WASHER		2	2	2	2	

This catalog covers:

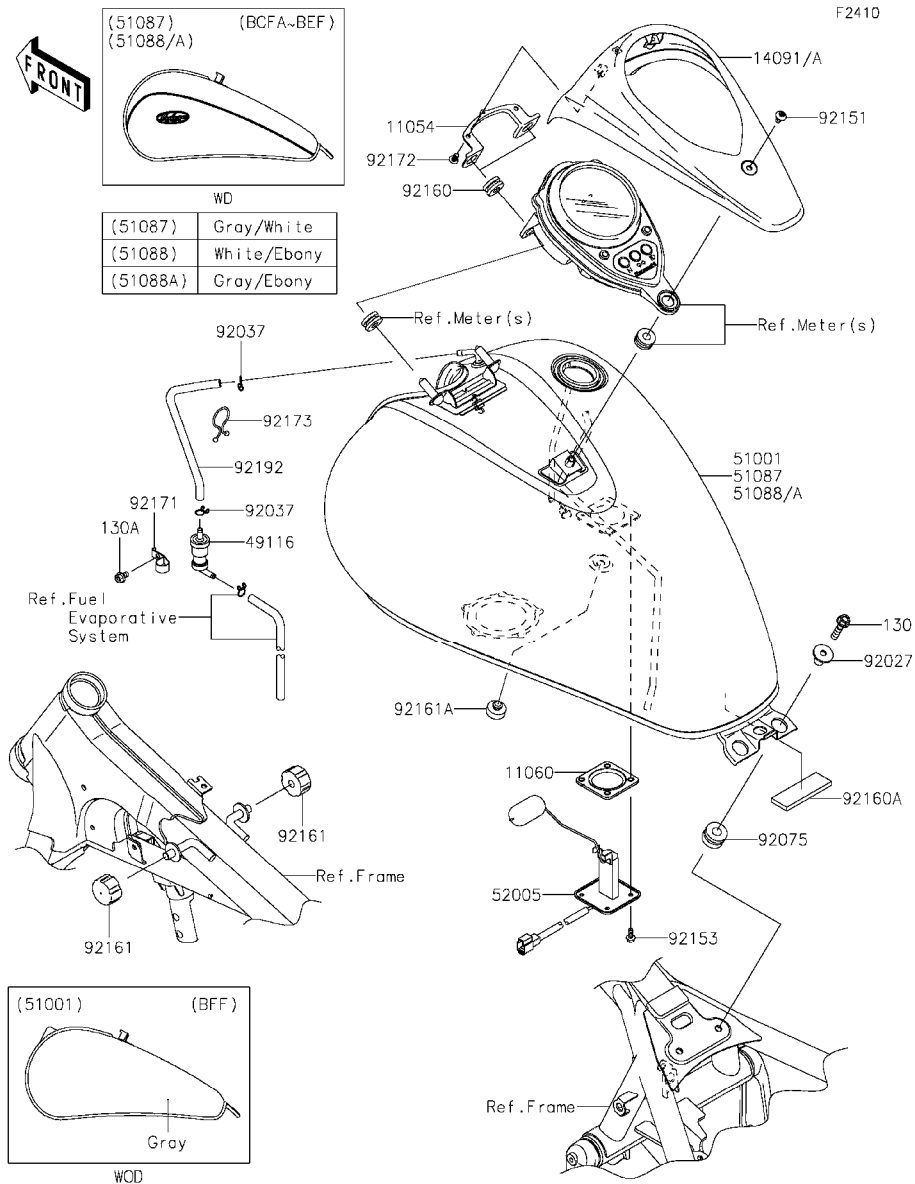
'12~'15 VN900 BCFA/BDF/BEF/BFF Chassis

GRID NO.

F-11

This grid covers:

Fuel Tank(1/2)



Ref. No.	Part No.	Description	Spec Code	Quantity-VN900				
				'12	'13	'14	'15	
				BCFA	BDF	BEF	BFF	
11054	11054-0034	BRACKET,METER,FR		1	1	1	1	
11060	11060-1952	GASKET,FUEL GAUGE		1	1	1	1	
14091	14091-0516	COVER,METER						1
14091A	14091-1730-H8	COVER,METER,EBONY		1	1	1		
49116	49116-0014	VALVE-ASSY,CHECK		1	1	1	1	
51001	51001-0335-51A	TANK-COMP-FUEL,M.C.GRAY						1
51087	51087-5268-40G	TANK-COMP-FUEL,GRAY/WHITE		1				
51088	51088-5019-40Y	TANK-COMP-FUEL,WHITE/EBONY			1			
51088A	51088-5305-46A	TANK-COMP-FUEL,GRAY/EBONY				1		
52005	52005-0718	GAUGE,FUEL		1	1	1	1	
92027	92027-1780	COLLAR,L=19.3		2	2	2	2	
92037	92037-147	CLAMP,TUBE		2	2	2	2	
92075	92075-1736	DAMPER		2	2	2	2	

This catalog covers:

'12~'15 VN900 BCFA/BDF/BEF/BFF Chassis

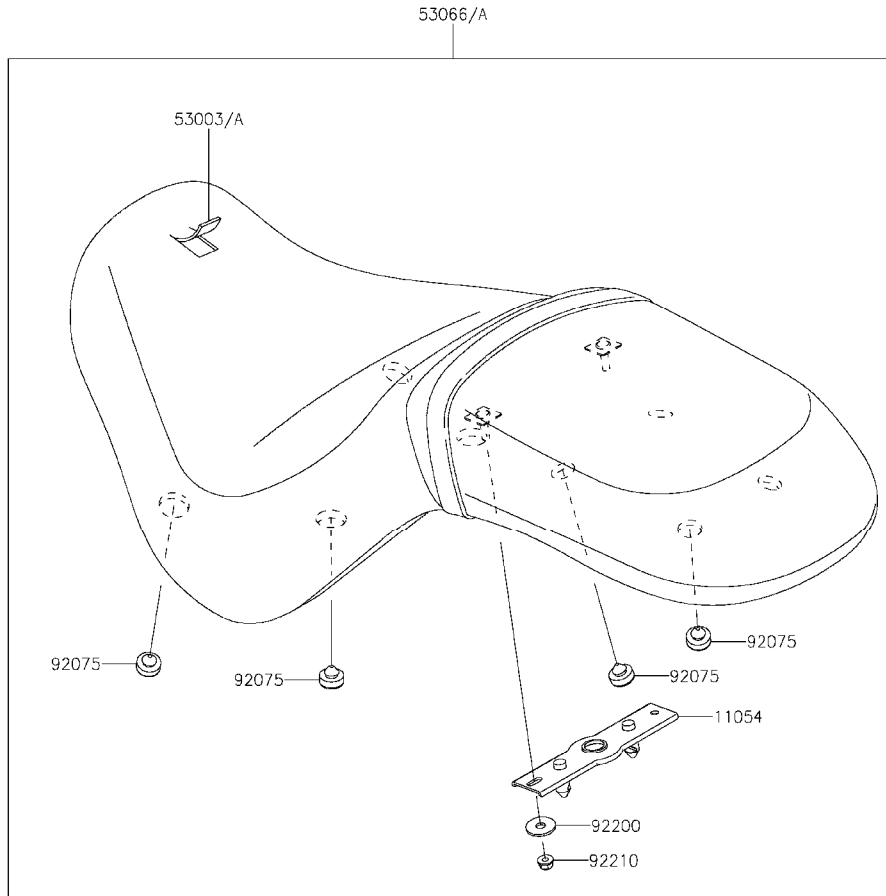
GRID NO.

F-13

This grid covers:

Seat

F2510



Ref. No.	Part No.	Description	Spec Code	Quantity-VN900				
				'12	'13	'14	'15	
				BCFA	BDF	BEF	BFF	
11054	11054-0417	BRACKET,SEAT	1	1	1	1		
53003	53003-0323-MA	LEATHER,SEAT,BLACK	1					
53003A	53003-0341-MA	LEATHER,BLACK		1	1	1		
53066	53066-0341-MA	SEAT-ASSY,DUAL,BLACK	1					
53066A	53066-0375-MA	SEAT-ASSY,DUAL,BLACK		1	1	1		
92075	92075-1927	DAMPER	8	8	8	8		
92200	92200-1569	WASHER,6,5X20X1.6	2	2	2	2		
92210	92210-0401	NUT	2	2	2	2		

This catalog covers:

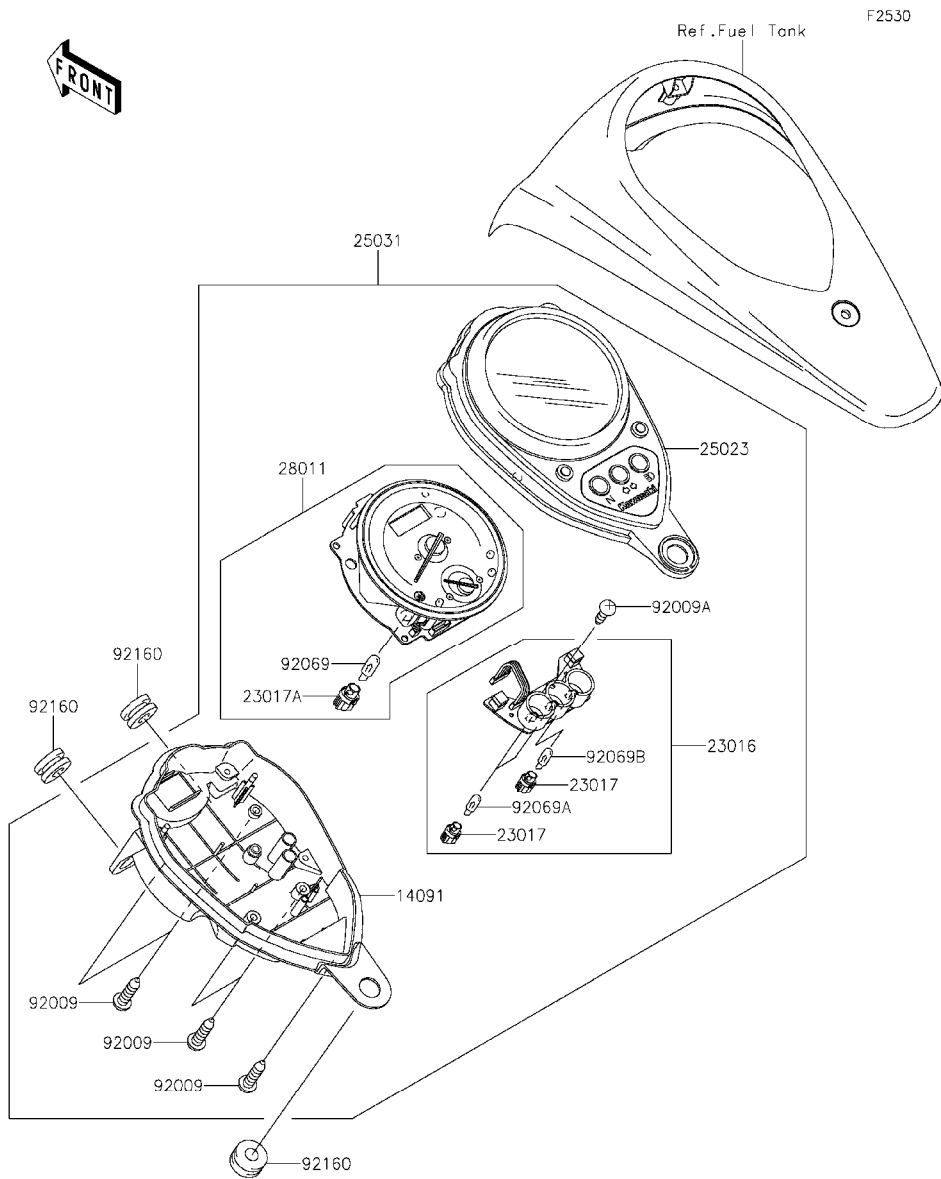
'12~'15 VN900 BCFA/BDF/BEF/BFF Chassis

GRID NO.

This grid covers:

F-14

Meter(s)



Ref. No.	Part No.	Description	Spec Code	Quantity-VN900				
				'12	'13	'14	'15	
				BCFA	BDF	BEF	BFF	
14091	14091-1215	COVER,METER,LWR		1	1	1	1	
23016	23016-1186	LAMP-ASSY		1	1	1	1	
23017	23017-1063	SOCKET,WEDGE BASE,T-5		3	3	3	3	
23017A	23017-1064	SOCKET		1	1	1	1	
25023	25023-0057	COVER-METER CASE,UPP		1	1	1	1	
25031	25031-0323	METER-ASSY,KPH		1	1	1	1	
28011	28011-0168	METER,SPEED&FUEL,KPH		1	1	1	1	
92009	92009-1163	SCREW,TAPPING,4X16		5	5	5	5	
92009A	92009-1503	SCREW,TAPPING,4X14		1	1	1	1	
92069	92069-1068	BULB,14V 3W,T6.5		1	1	1	1	
92069A	92069-1105	BULB,12V 2W,T5		2	2	2	2	
92069B	92069-1117	BULB,12V 1.4W,T5		1	1	1	1	
92160	92160-1162	DAMPER		3	3	3	3	

This catalog covers:

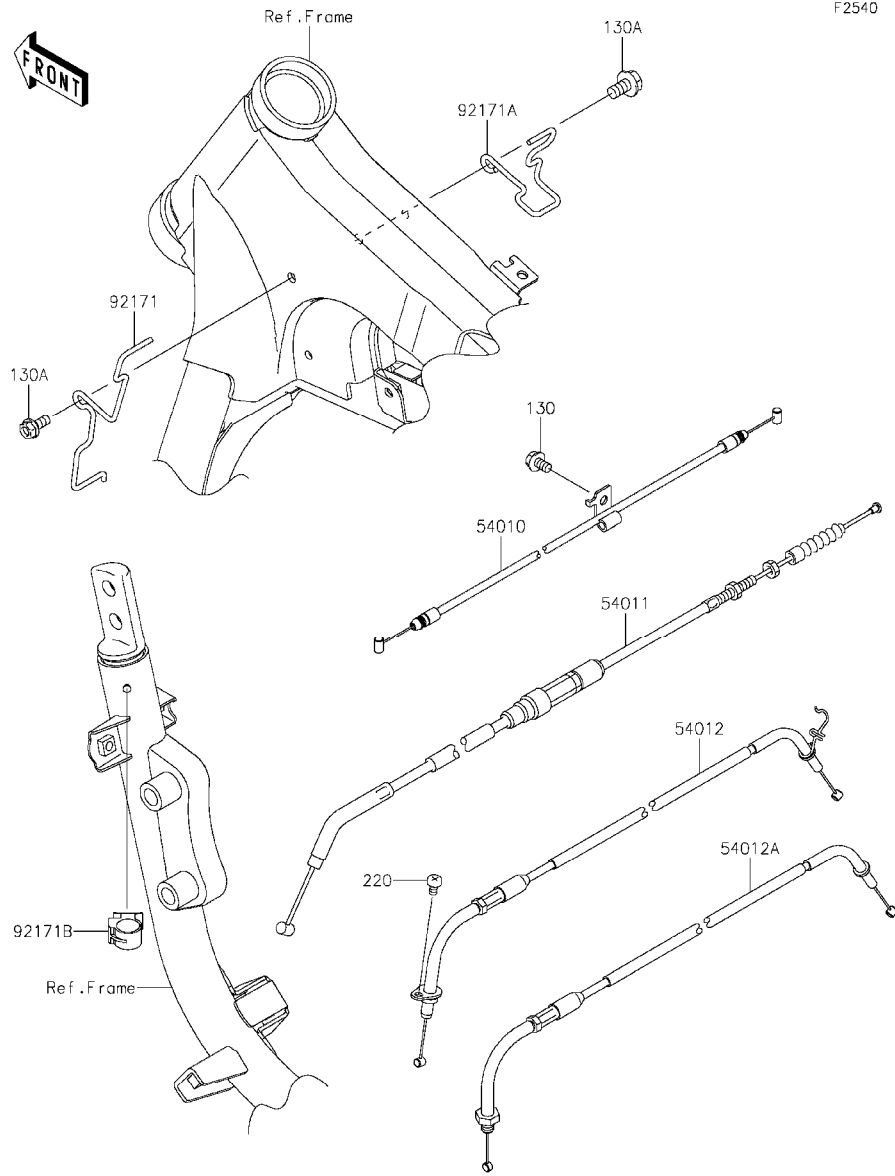
'12~'15 VN900 BCFA/BDF/BEF/BFF Chassis

GRID NO.

G-3

This grid covers:

Cables



F2540

Ref. No.	Part No.	Description	Spec Code	Quantity-VN900				
				'12	'13	'14	'15	
				BCFA	BDF	BEF	BFF	
54010	54010-0065	CABLE, SEAT LOCK	1	1	1	1		
54011	54011-0070	CABLE-CLUTCH	1	1	1	1		
54012	54012-0171	CABLE-THROTTLE, OPENING	1	1	1	1		
54012A	54012-0172	CABLE-THROTTLE, CLOSING	1	1	1	1		
92171	92171-0597	CLAMP, FR, LH	1	1	1	1		
92171A	92171-0605	CLAMP, FR, RH	1	1	1	1		
92171B	92171-1424	CLAMP, DIA=15	1	1	1	1		
130	130BB0610	BOLT-FLANGED, 6X10	1	1	1	1		
130A	130BB0614	BOLT-FLANGED, 6X14	2	2	2	2		
220	220AB0508	SCREW-PAN-CROS, 5X8	1	1	1	1		

This catalog covers:

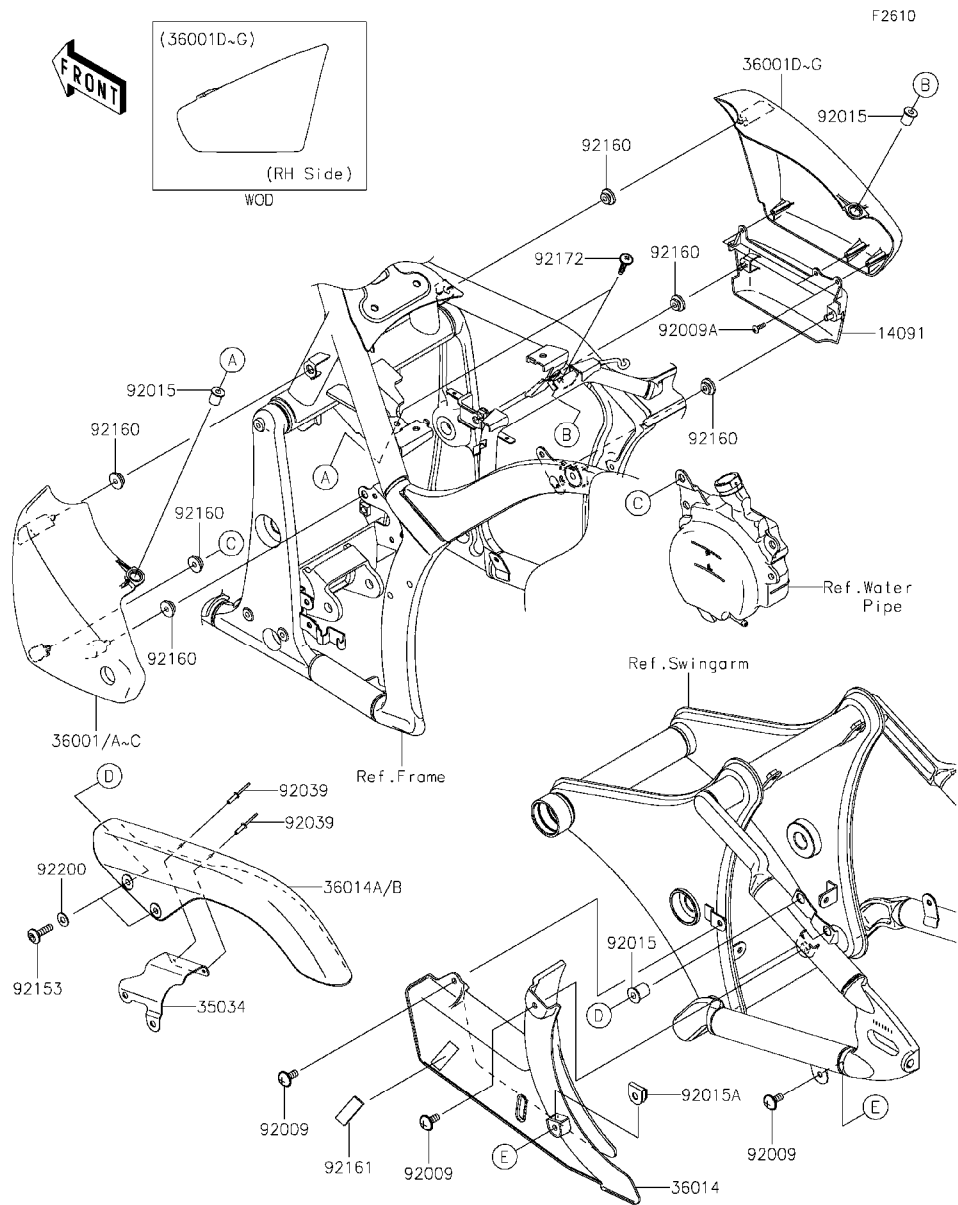
'12~'15 VN900 BCFA/BDF/BEF/BFF Chassis

GRID NO.

G-4

This grid covers:

Side Covers/Chain Cover



Ref. No.	Part No.	Description	Spec Code	Quantity-VN900			
				'12 BCFA	'13 BDF	'14 BEF	'15 BFF
14091	14091-0641	COVER, SIDE COVER, RH		1	1	1	1
35034	35034-0082	REINFORCE		1	1	1	1
36001	36001-0081-10H	COVER-SIDE, LH, P.M. GRAY		1			
36001A	36001-0081-45L	COVER-SIDE, LH, F. EBONY			1		
36001B	36001-0081-45W	COVER-SIDE, LH, M.G. GRAY				1	
36001C	36001-0081-51A	COVER-SIDE, LH, M.C. GRAY					1
36001D	36001-0082-10H	COVER-SIDE, RH, P.M. GRAY		1			
36001E	36001-0082-45L	COVER-SIDE, RH, F. EBONY			1		
36001F	36001-0082-45W	COVER-SIDE, RH, M.G. GRAY				1	
36001G	36001-0082-51A	COVER-SIDE, RH, M.C. GRAY					1
36014	36014-0031	CASE-CHAIN, LWR		1	1	1	1
36014A	36014-0032	CASE-CHAIN, UPP					1
36014B	36014-0052	CASE-CHAIN, UPP		1	1	1	
92009	92009-1662	SCREW, 6X14		3	3	3	3
92009A	92009-1792	SCREW, TAPPING, 4X14		3	3	3	3
92015	92015-1700	NUT		4	4	4	4
92015A	92015-1904	NUT, CLIP, 6MM		1	1	1	1
92039	92039-1251	RIVET		2	2	2	2
92153	92153-1356	BOLT, SOCKET, 6X22		2	2	2	2
92160	92160-1613	DAMPER		6	6	6	6
92161	92161-0124	DAMPER		1	1	1	1
92172	92172-0137	SCREW, 6X26		2	2	2	2
92200	92200-1388	WASHER, 6.5X14X1		2	2	2	2

This catalog covers:

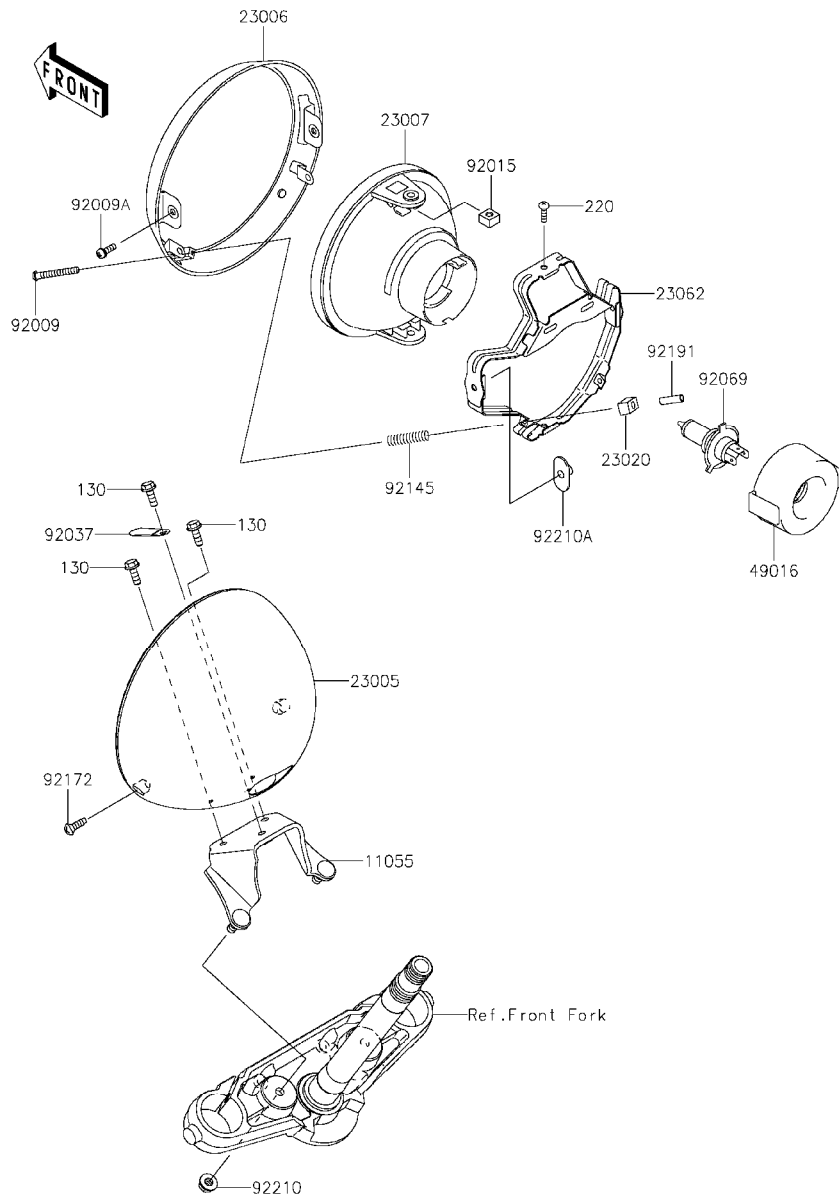
'12~'15 VN900 BCFA/BDF/BEF/BFF Chassis

GRID NO.

G-5

This grid covers:

Headlight(s)(BCFA~BEF)



F2710

Ref. No.	Part No.	Description	Spec Code	Quantity-VN900			
				'12 BCFA	'13 BDF	'14 BEF	'15 BFF
11055	11055-1167-18R	BRACKET,HEAD LAMP,F.S.BLACK		1	1	1	
23005	23005-0303-21	BODY-COMP-HEAD LAMP,F.BLACK		1	1	1	
23006	23006-1081	RIM-LAMP		1	1	1	
23007	23007-1396	LENS-COMP,HEAD LAMP		1	1	1	
23020	23020-018	NUT,4MM,FOCUS ADJUST		2	2	2	
23062	23062-1132	BRACKET-COMP,HEAD LAMP		1	1	1	
49016	49016-1203	COVER-SEAL,SOCKET		1	1	1	
92009	92009-1816	SCREW,FOCUS ADJUST,4X60		2	2	2	
92009A	92009-1879	SCREW,5X16		2	2	2	
92015	92015-1157	NUT,5MM		2	2	2	
92037	92037-1539	CLAMP,L=45		1	1	1	
92069	92069-0050	BULB,12V 60/55W,H4		1	1	1	
92145	92145-1268	SPRING,HEAD LAMP LENS		2	2	2	
92172	92172-0145	SCREW,5X14		2	2	2	
92191	92191-1217	TUBE,3.5X5.5X19		2	2	2	
92210	92210-0004	NUT,FLANGED,8MM		2	2	2	
92210A	92210-1060	NUT,SPECIAL,5MM		2	2	2	
130	130BA0616	BOLT-FLANGED,6X16		3	3	3	
220	220AA0516	SCREW-PAN-CROS,5X16		2	2	2	

This catalog covers:

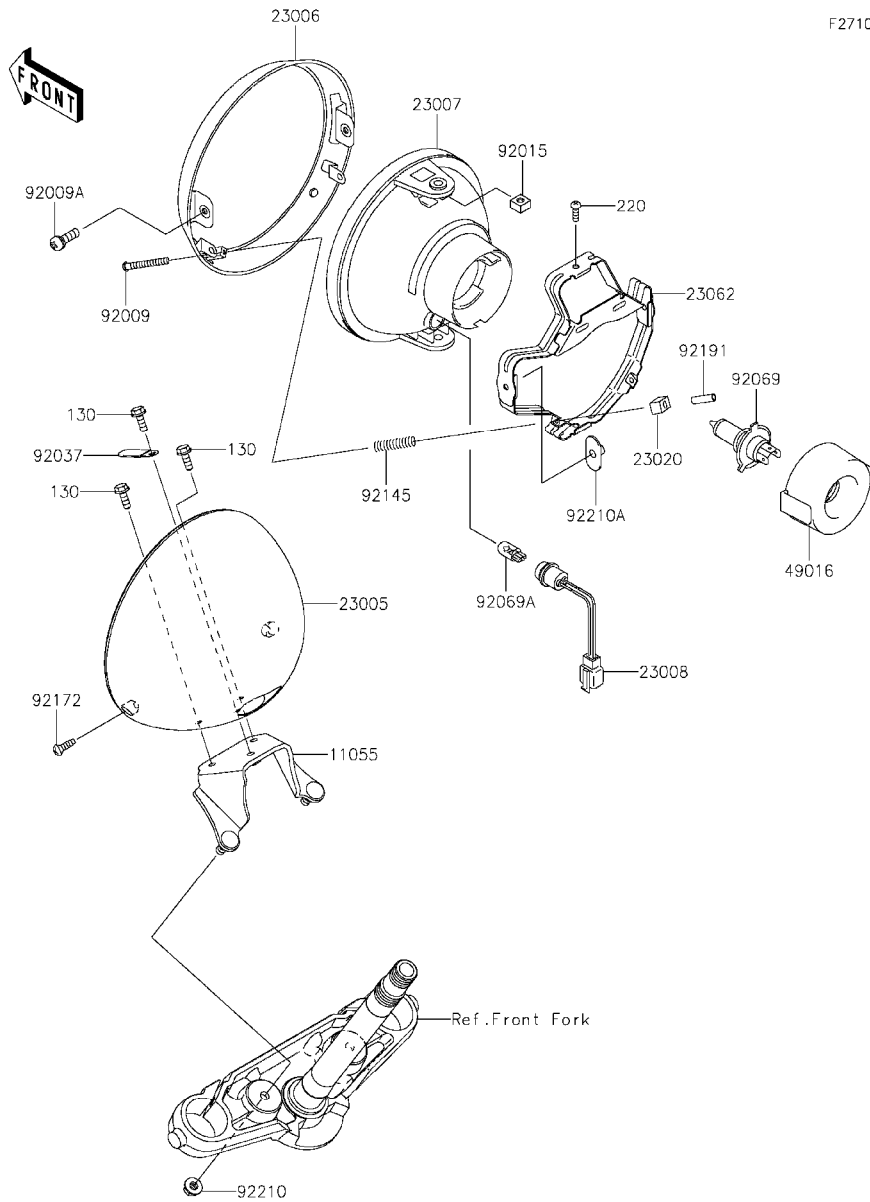
'12~'15 VN900 BCFA/BDF/BEF/BFF Chassis

GRID NO.

G-6

This grid covers:

Headlight(s)(BFF)



F2710A

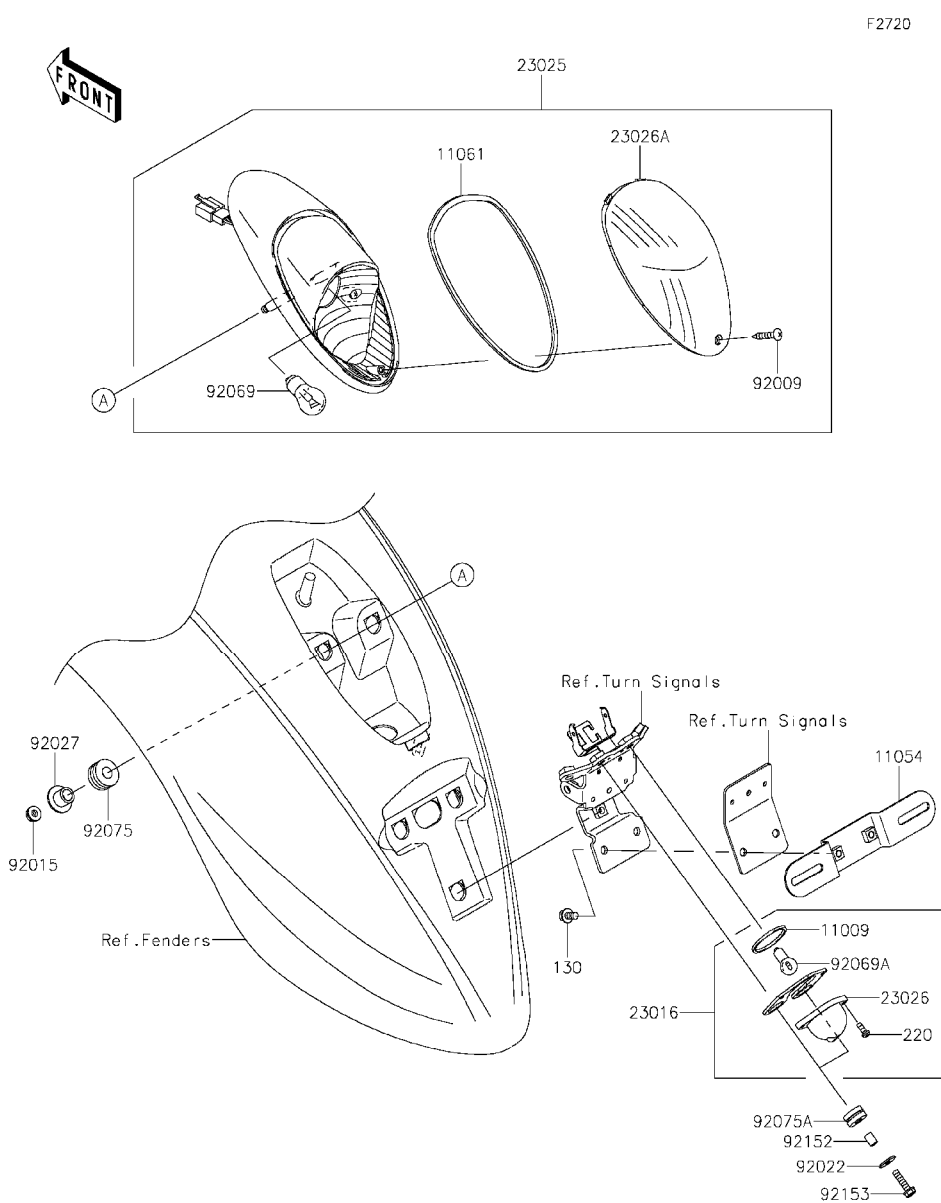
Ref. No.	Part No.	Description	Spec Code	Quantity-VN900				
				'12	'13	'14	'15	
				BCFA	BDF	BEF	BFF	
11055	11055-1167-CE	BRACKET,HEAD LAMP,SILVER						1
23005	23005-0304	BODY-COMP-HEAD LAMP						1
23006	23006-1081	RIM-LAMP						1
23007	23007-1397	LENS-COMP,HEAD LAMP						1
23008	23008-1609	SOCKET-ASSY,PARKING LAMP						1
23020	23020-018	NUT,4MM,FOCUS ADJUST						2
23062	23062-1132	BRACKET-COMP,HEAD LAMP						1
49016	49016-1203	COVER-SEAL,SOCKET						1
92009	92009-1816	SCREW,FOCUS ADJUST,4X60						2
92009A	92009-1879	SCREW,5X16						2
92015	92015-1157	NUT,5MM						2
92037	92037-1539	CLAMP,L=45						1
92069	92069-0050	BULB,12V 60/55W,H4						1
92069A	92069-1016	BULB,12V 5W						1
92145	92145-1268	SPRING,HEAD LAMP LENS						2
92172	92172-0145	SCREW,5X14						2
92191	92191-1217	TUBE,3.5X5.5X19						2
92210	92210-0004	NUT,FLANGED,8MM						2
92210A	92210-1060	NUT,SPECIAL,5MM						2
130	130BA0616	BOLT-FLANGED,6X16						3
220	220AA0516	SCREW-PAN-CROS,5X16						2

This catalog covers:

'12~'15 VN900 BCFA/BDF/BEF/BFF Chassis

GRID NO. This grid covers:

G-7 Taillight(s)



F2720

Ref. No.	Part No.	Description	Spec Code	Quantity-VN900			
				'12	'13	'14	'15
				BCFA	BDF	BEF	BFF
11009	11009-1372	GASKET,LICENSE PLATE LAMP	1	1	1	1	
11054	11054-1761	BRACKET,LICENSE	1	1	1	1	
11061	11061-1089	GASKET,TAIL LAMP LENS	1	1	1	1	
23016	23016-0007	LAMP-ASSY,LICENSE	1	1	1	1	
23025	23025-0025	LAMP-TAIL	1	1	1	1	
23026	23026-1054	LENS,LAMP	1	1	1	1	
23026A	23026-1246	LENS,TAIL LAMP	1	1	1	1	
92009	92009-1966	SCREW,TAPPING,4X16	1	1	1	1	
92015	92015-1367	NUT,FLANGED,6MM	2	2	2	2	
92022	92022-1557	WASHER,6.5X20X1.6	2	2	2	2	
92027	92027-1450	COLLAR,L=13.1,BLACK	2	2	2	2	
92069	92069-063	BULB,12V 21/5W	1	1	1	1	
92069A	92069-1055	BULB,12V 5W	1	1	1	1	
92075	92075-1690	DAMPER	2	2	2	2	
92075A	92075-209	DAMPER	2	2	2	2	
92152	92152-0580	COLLAR,6.8X10X13	2	2	2	2	
92153	92153-0514	BOLT,FLANGED,6X25	2	2	2	2	
130	130BB0614	BOLT-FLANGED,6X14	2	2	2	2	
220	220AA0410	SCREW-PAN-CROS,4X10	2	2	2	2	

This catalog covers:

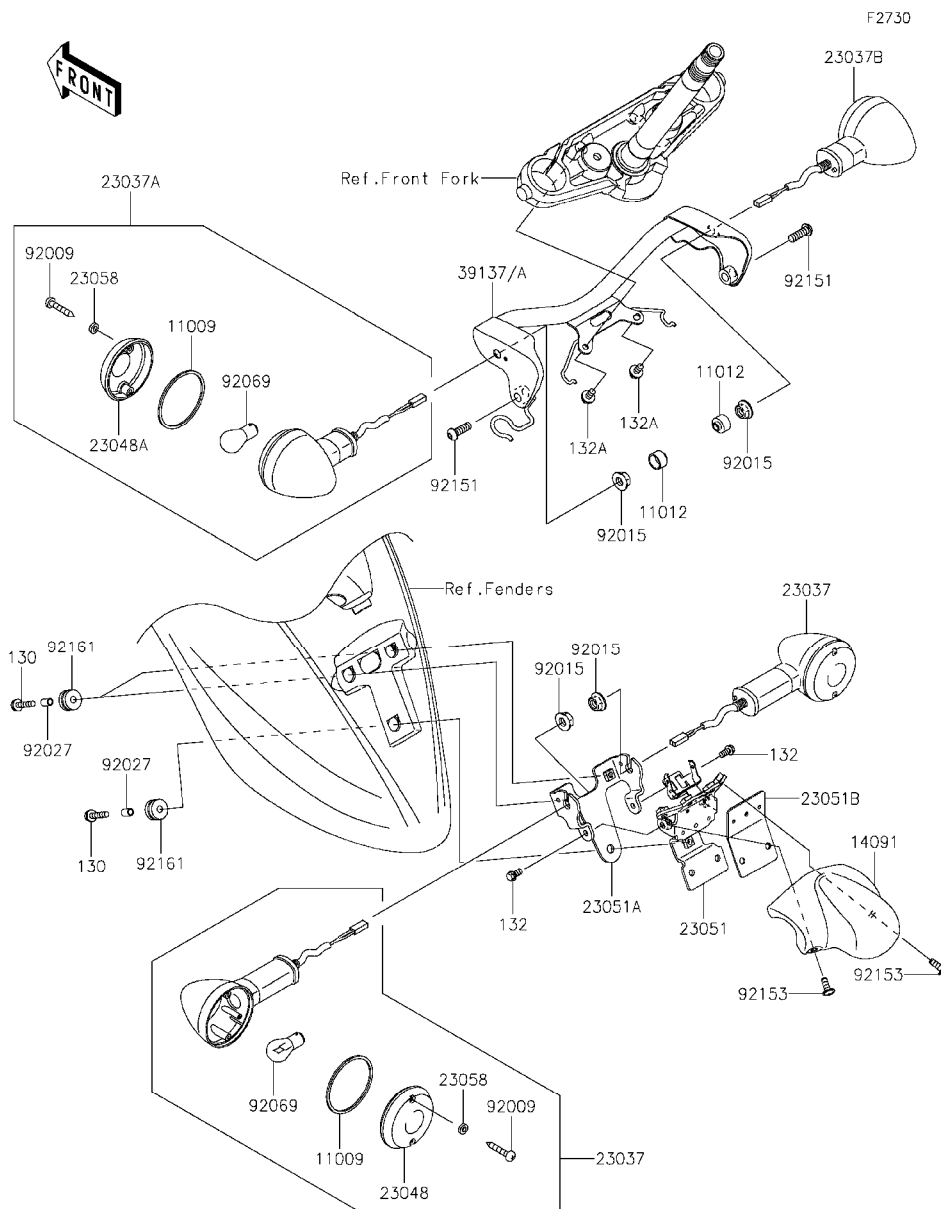
'12~'15 VN900 BCFA/BDF/BEF/BFF Chassis

GRID NO.

G-8

This grid covers:

Turn Signals



Ref. No.	Part No.	Description	Spec Code	Quantity-VN900			
				'12	'13	'14	'15
				BCFA	BDF	BEF	BFF
11009	11009-1413	GASKET,SIGNAL LAMP		4	4	4	4
11012	11012-1367	CAP		2	2	2	2
14091	14091-0525	COVER		1	1	1	1
23037	23037-0087	LAMP-ASSY-SIGNAL,RR		2	2	2	2
23037A	23037-0131	LAMP-ASSY-SIGNAL,FR,LH		1	1	1	1
23037B	23037-0132	LAMP-ASSY-SIGNAL,FR,RH		1	1	1	1
23048	23048-1065	LENS-SIGNAL LAMP		2	2	2	2
23048A	23048-1066	LENS-SIGNAL LAMP		2	2	2	2
23051	23051-0020	BRACKET-SIGNAL LAMP,RR,LWR		1	1	1	1
23051A	23051-0021	BRACKET-SIGNAL LAMP,RR,UPP		1	1	1	1
23051B	23051-0022	BRACKET-SIGNAL LAMP,RR		1	1	1	1
23058	23058-002	WASHER,PLAIN,4MM		8	8	8	8
39137	39137-0019	STAY-COMP,FR SIGNAL LAMP					1
39137A	39137-0564-21	STAY-COMP,FR SIGNAL LAMP,BLK		1	1	1	
92009	92009-1637	SCREW,TAPPING,4X25		8	8	8	8
92015	92015-1356	NUT,10MM		4	4	4	4
92027	92027-1941	COLLAR,6.8X10X15		3	3	3	3
92069		BULB,12V 21W (LOCAL PROCUREMENT ITEM)		4	4	4	4
92151	92151-1327	BOLT,SOCKET,8X25		2	2	2	2
92153	92153-0817	BOLT,SOCKET,6X16		2	2	2	2
92161	92161-0163	DAMPER		3	3	3	3
130	130CA0630	BOLT-FLANGED,6X30		3	3	3	3
132	132BB0612	BOLT-FLANGED-SMALL,6X12		2	2	2	2
132A	132E0612	BOLT-FLANGED-SMALL,6X12		2	2	2	2

This catalog covers:

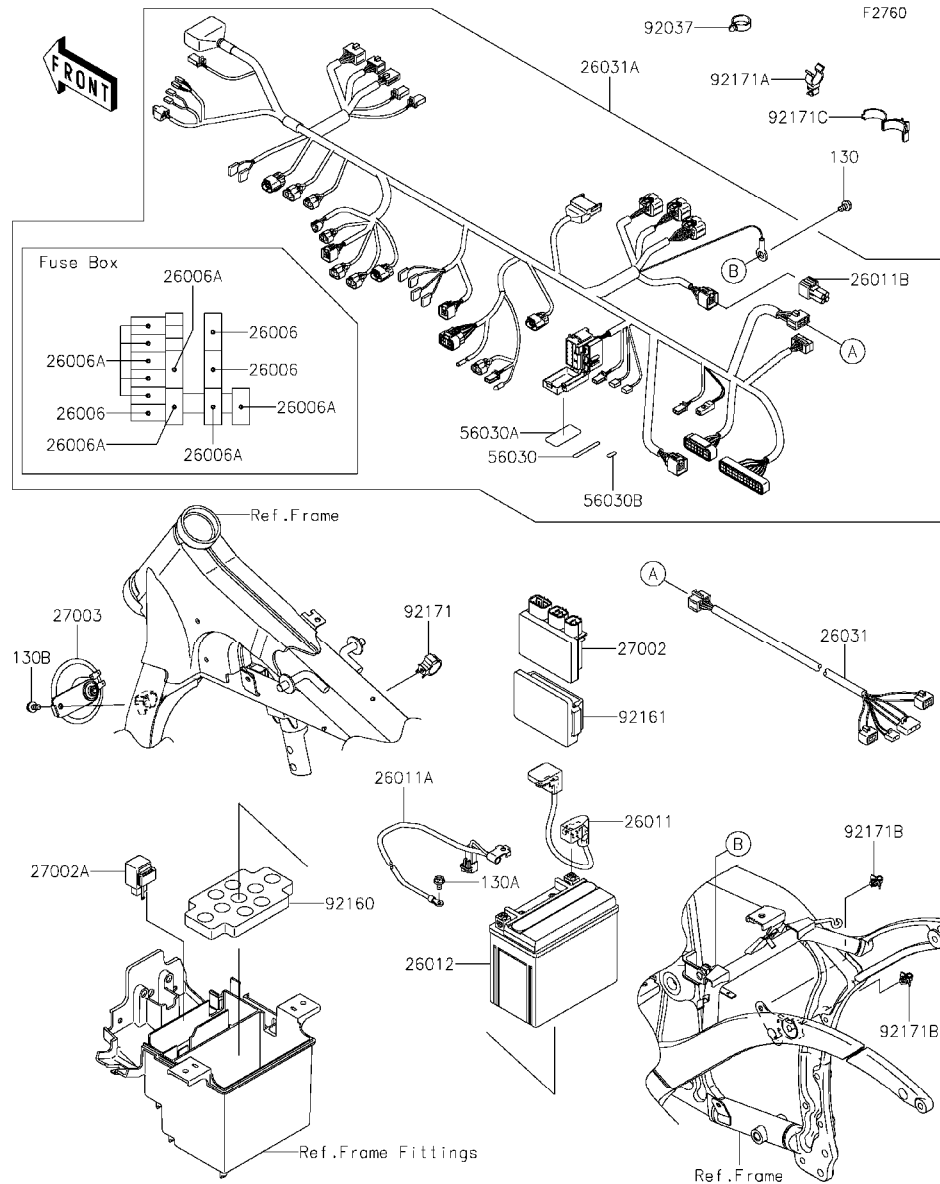
'12~'15 VN900 BCFA/BDF/BEF/BFF Chassis

GRID NO.

G-9

This grid covers:

Chassis Electrical Equipment



Ref. No.	Part No.	Description	Spec Code	Quantity-VN900			
				'12	'13	'14	'15
				BCFA	BDF	BEF	BFF
26006	26006-0001	FUSE,MINI BLADE,15A,BLUE		3	3	3	3
26006A	26006-1078	FUSE,MINI BLADE,10A,RED		9	9	9	9
26011	26011-0089	WIRE-LEAD,BATTERY(+)		1	1	1	1
26011A	26011-0090	WIRE-LEAD,BATTERY(-)		1	1	1	1
26011B	26011-0271	WIRE-LEAD,CAP		1	1	1	1
26012	26012-0094	BATTERY,YTX12-BS,12V 10AH		1	1	1	1
26031	26031-0448	HARNES,RR		1	1	1	1
26031A	26031-0974	HARNES,MAIN		1	1	1	1
27002	27002-0007	RELAY-ASSY		1	1	1	1
27002A	27002-1101	RELAY-ASSY,TURN SIGNAL		1	1	1	1
27003	27003-0039	HORN		1	1	1	1
56030	56030-0016	LABEL,FUSE BOX		1	1	1	1
56030A	56030-0046	LABEL,FUSE BOX		1	1	1	1
56030B	56030-0102	LABEL,FUSE BOX		1	1	1	1
92037	92037-1827	CLAMP,HOSE		1	1	1	1
92160	92160-1635	DAMPER,BATTERY		1	1	1	1
92161	92161-0203	DAMPER,RELAY BOX		1	1	1	1
92171	92171-0081	CLAMP,DIA=20		1	1	1	1
92171A	92171-0347	CLAMP,CABLE		1	1	1	1
92171B	92171-0477	CLAMP		2	2	2	2
92171C	92171-1423	CLAMP,DIA=10		1	1	1	1
130	130BA0610	BOLT-FLANGED,6X10		1	1	1	1
130A	130BB0610	BOLT-FLANGED,6X10		1	1	1	1
130B	130BB0612	BOLT-FLANGED,6X12		1	1	1	1

This catalog covers:

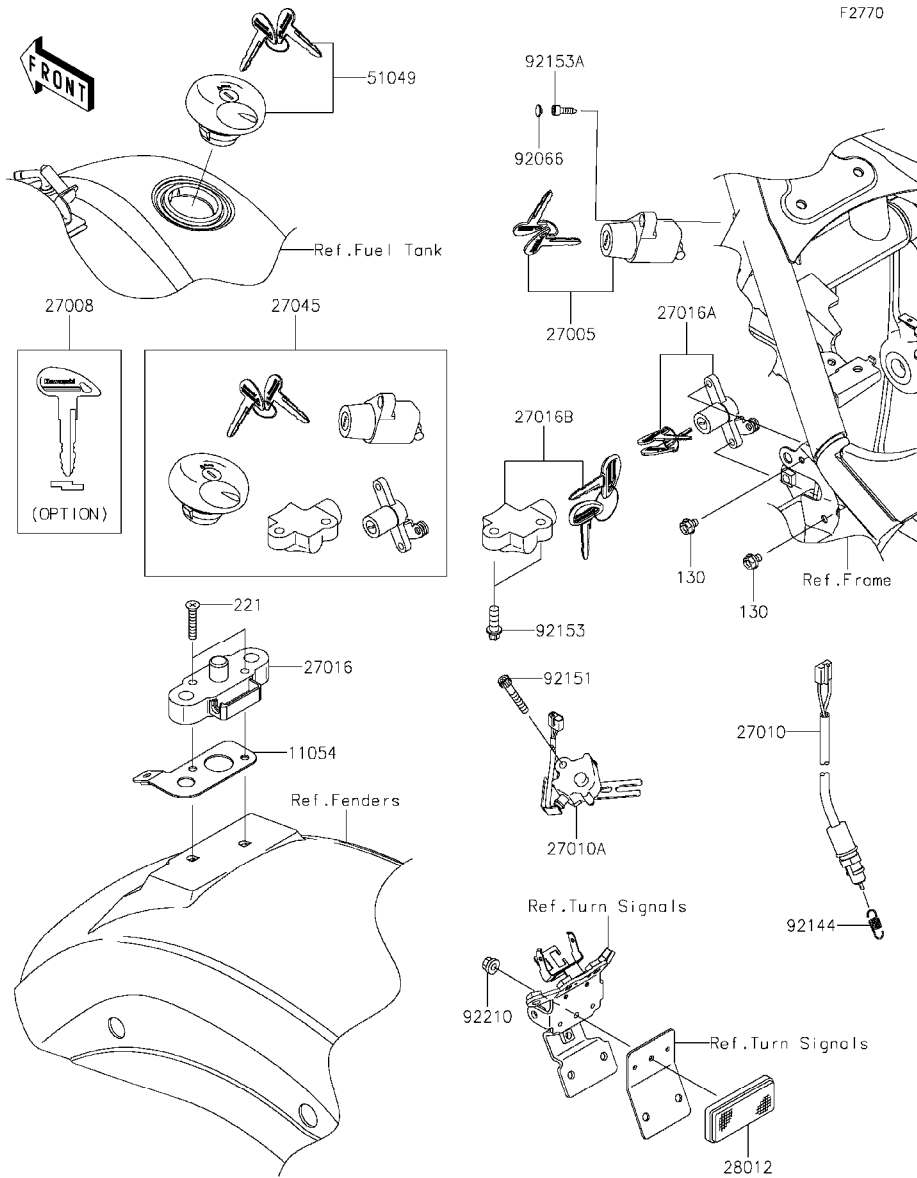
'12~'15 VN900 BCFA/BDF/BEF/BFF Chassis

GRID NO.

G-10

This grid covers:

Ignition Switch



Ref. No.	Part No.	Description	Spec Code	Quantity-VN900			
				'12	'13	'14	'15
			BCFA	BDF	BEF	BFF	
11054	11054-0492	BRACKET,SEAT LOCK	1	1	1	1	
27005	27005-0032	SWITCH-ASSY-IGNITION	1	1	1	1	
27008	27008-0042	KEY-LOCK,BLANK	1	1	1	1	
	(OPTION)						
27010	27010-0050	SWITCH,REAR BRAKE	1	1	1	1	
27010A	27010-1470	SWITCH,SIDE STAND	1	1	1	1	
27016	27016-1098	LOCK-ASSY,SEAT STRIKER	1	1	1	1	
27016A	27016-5341	LOCK-ASSY,SEAT	1	1	1	1	
27016B	27016-5342	LOCK-ASSY,STEERING	1	1	1	1	
27045	27045-5323	SWITCH-ASSY	1	1	1	1	
28012	28012-1077	REFLECTOR-REFLEX	1	1	1	1	
51049	51049-5001	CAP-TANK,FUEL	1	1	1	1	
92066	92066-1543	PLUG	1	1	1	1	
92144	92144-1141	SPRING,REAR BRAKE SWITCH	1	1	1	1	
92151	92151-1390	BOLT,SOCKET,6X35	1	1	1	1	
92153	92153-1273	BOLT,TORX,8X22	2	2	2	2	
92153A	92153-1685	BOLT,SOCKET,5X16	1	1	1	1	
92210	92210-0007	NUT,FLANGED,5MM	1	1	1	1	
130	130BB0608	BOLT-FLANGED,6X8	2	2	2	2	
221	221AB0635	SCREW-CSK-CROS,6X35	2	2	2	2	

This catalog covers:

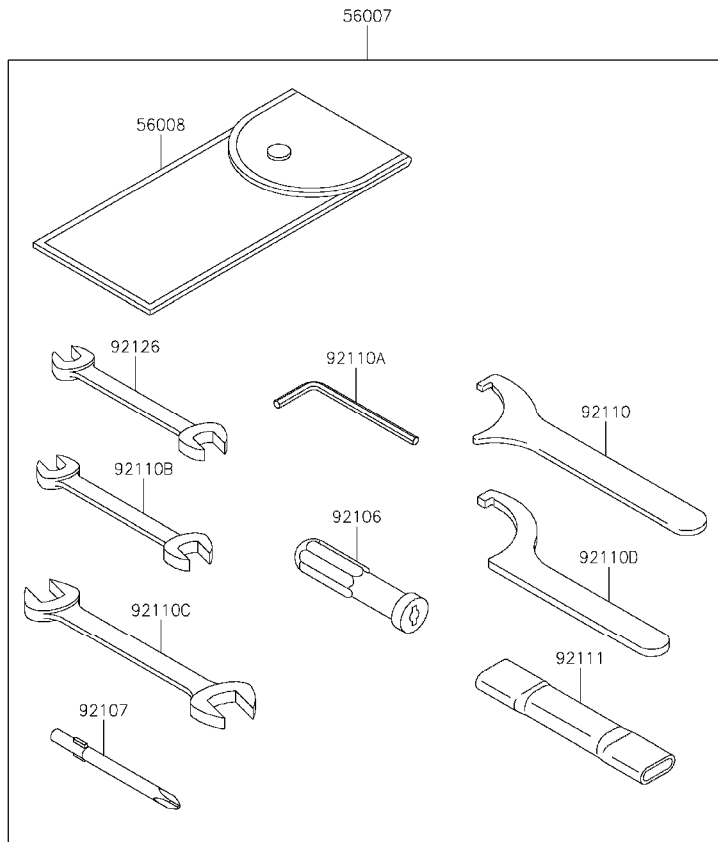
'12~'15 VN900 BCFA/BDF/BEF/BFF Chassis

GRID NO.

G-11

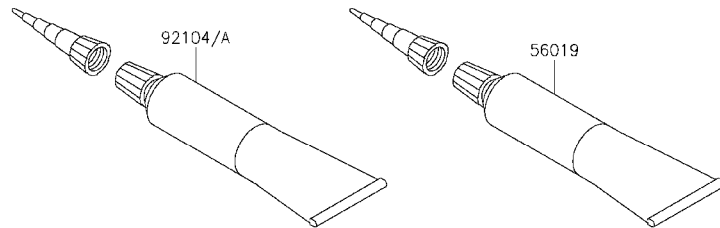
This grid covers:

Owner's Tools



F2810

Ref. No.	Part No.	Description	Spec Code	Quantity-VN900				
				'12	'13	'14	'15	
				BCFA	BDF	BEF	BFF	
56007	56007-0095	TOOL-KIT	1	1	1	1		
56008	56008-1075	BAG,TOOL	1	1	1	1		
56019	56019-120	GASKET-LIQUID,TB1211,WHITE	1	1	1	1		
92104	92104-0004	GASKET-LIQUID,TB1211F,CLEAR	1	1	1	1		
92104A	92104-1064	GASKET-LIQUID,TB1216B,BLACK	1	1	1	1		
92106	92106-1001	GRIP-SCREW DRIVER	1	1	1	1		
92107	92107-005	TOOL-DRIVER,#3PHILLIPS	1	1	1	1		
92110	92110-0018	TOOL-WRENCH,HOOK	1	1	1	1		
92110A	92110-1015	TOOL-WRENCH,ALLEN,5MM	1	1	1	1		
92110B	92110-1152	TOOL-WRENCH,OPEN END,10X12	1	1	1	1		
92110C	92110-1153	TOOL-WRENCH,OPEN END,14X17	1	1	1	1		
92110D	92110-1173	TOOL-WRENCH,HOOK	1	1	1	1		
92111	92111-0002	TOOL-BAR,BOX END WRENCH	1	1	1	1		
92126	92126-004	TOOL-WRENCH,OPEN END,8X10	1	1	1	1		



This catalog covers:

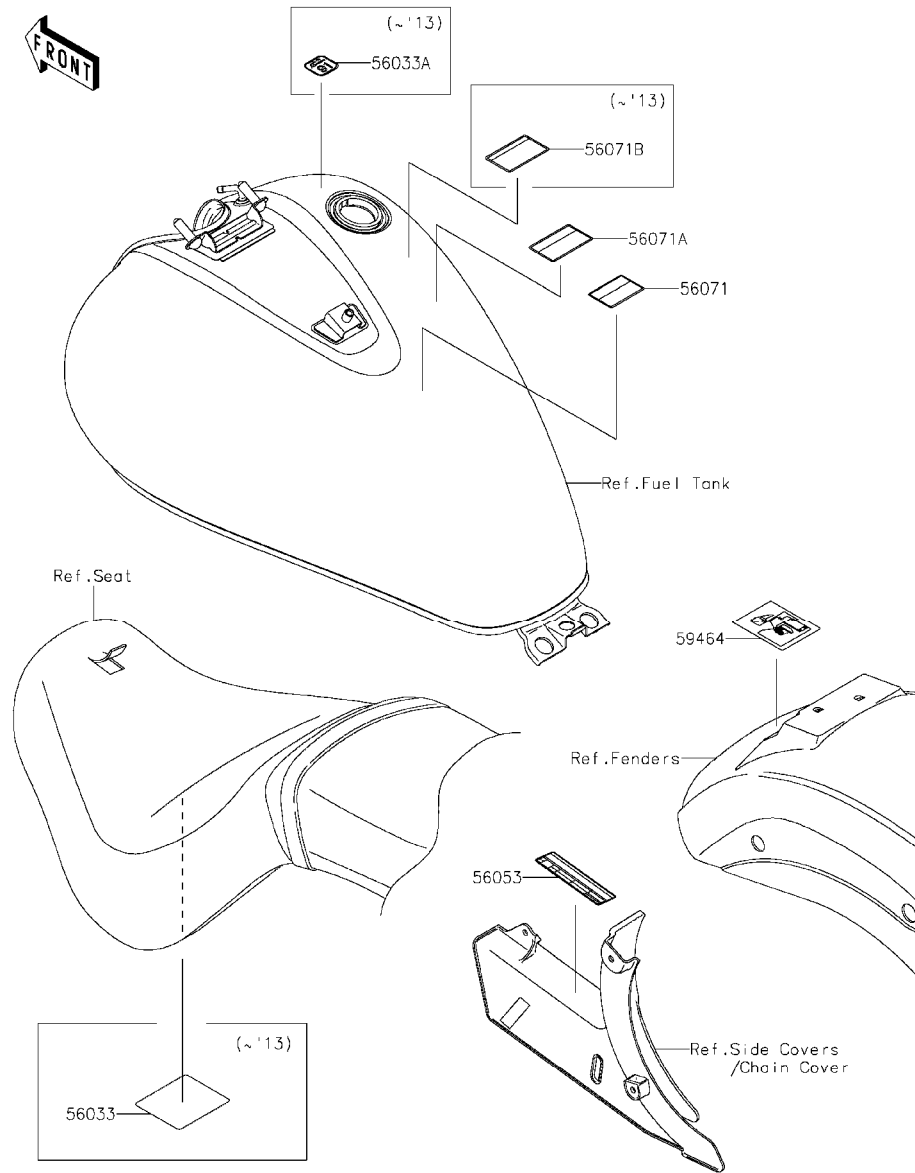
'12~'15 VN900 BCFA/BDF/BEF/BFF Chassis

GRID NO.

G-12

This grid covers:

Labels



F2860

Ref. No.	Part No.	Description	Spec Code	Quantity-VN900				
				'12	'13	'14	'15	
				BCFA	BDF	BEF	BFF	
56033	56033-0138	LABEL-MANUAL,DAILY SAFETY	1	1				
56033A	56033-0306	LABEL-MANUAL,GASOHOL,91(E10)	1	1				
56053	56053-0176	LABEL-SPECIFICATION,TIRE&LOAD	1	1	1	1		
56071	56071-0023	LABEL-WARNING,HELMET	1	1	1	1		
56071A	56071-0024	LABEL-WARNING,EVAPO COUTION	1	1	1	1		
56071B	56071-0158	LABEL-WARNING,EVAPO	1	1				
59464	59464-0684	LABEL-CERTIFICATION,EVAPO ROUT	1	1	1	1		

This catalog covers:

'12~'15 VN900 BCFA/BDF/BEF/BFF Chassis

GRID NO.

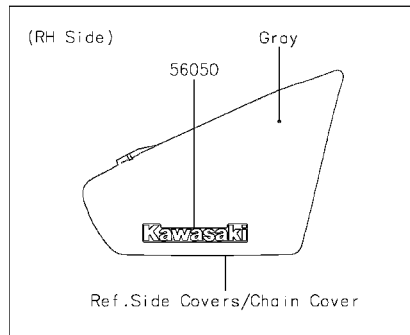
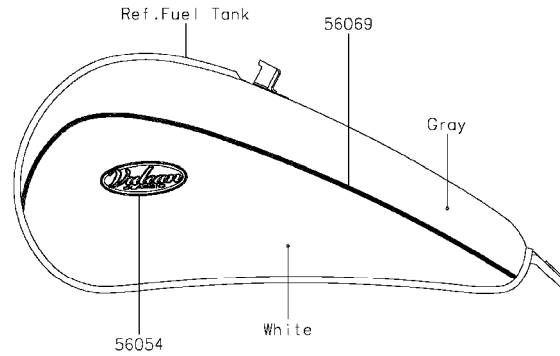
G-13

This grid covers:

Decals(Gray/White)(BCFA)

F2861

Ref. No.	Part No.	Description	Spec Code	Quantity-VN900				
				'12	'13	'14	'15	
				BCFA	BDF	BEF	BFF	
56050	56050-1901	MARK,SIDE COVER,KAWASAKI						1
56054	56054-0874	MARK,FUEL TANK,VULCAN CLASSIC						2
56069	56069-1745	PATTERN,FUEL TANK						2



This catalog covers:

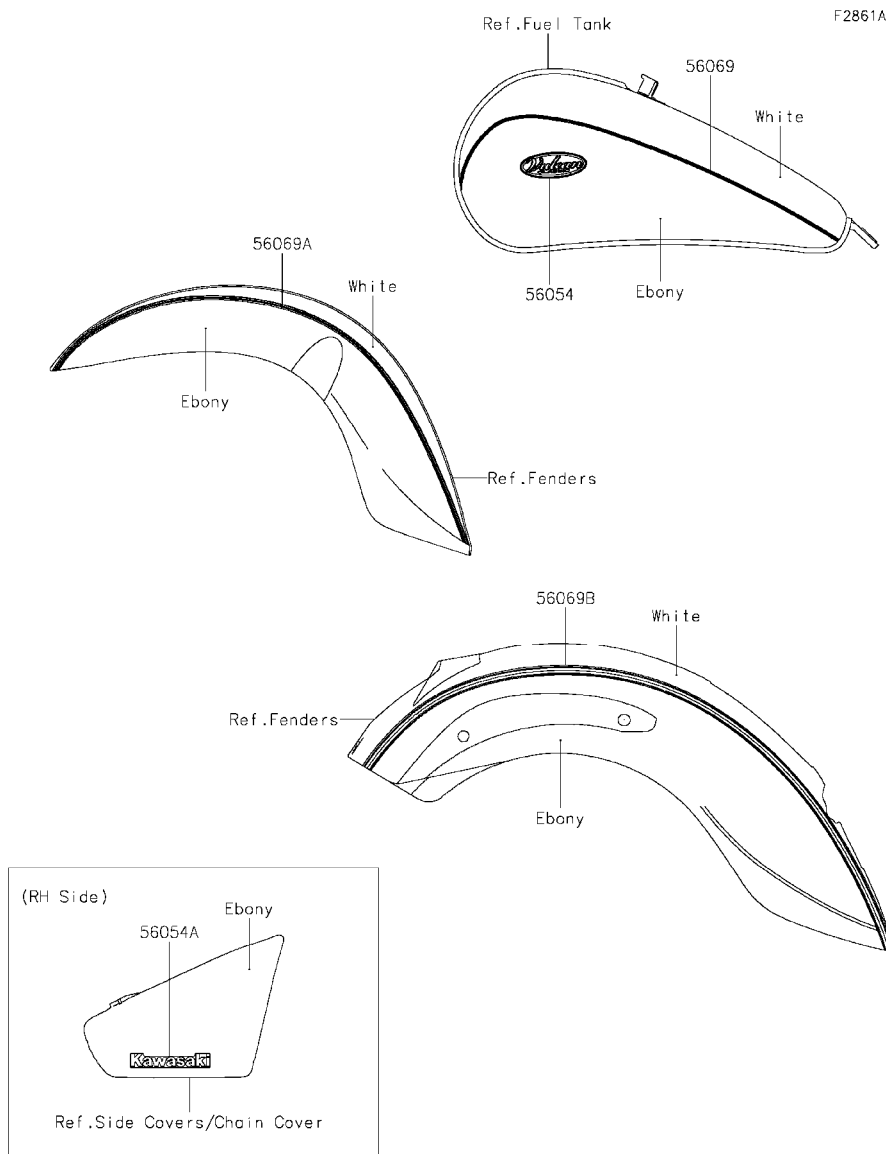
'12~'15 VN900 BCFA/BDF/BEF/BFF Chassis

GRID NO.

G-14

This grid covers:

Decals(White/Ebony)(BDF)



Ref. No.	Part No.	Description	Spec Code	Quantity-VN900				
				'12	'13	'14	'15	
				BCFA	BDF	BEF	BFF	
56054	56054-1054	MARK,FUEL TANK,VULCAN CLASSIC						2
56054A	56054-1075	MARK,SIDE COVER,KAWASAKI						1
56069	56069-2528	PATTERN,FUEL TANK						2
56069A	56069-2618	PATTERN,FR FENDER						2
56069B	56069-2619	PATTERN,RR FENDER						2

This catalog covers:

'12~'15 VN900 BCFA/BDF/BEF/BFF Chassis

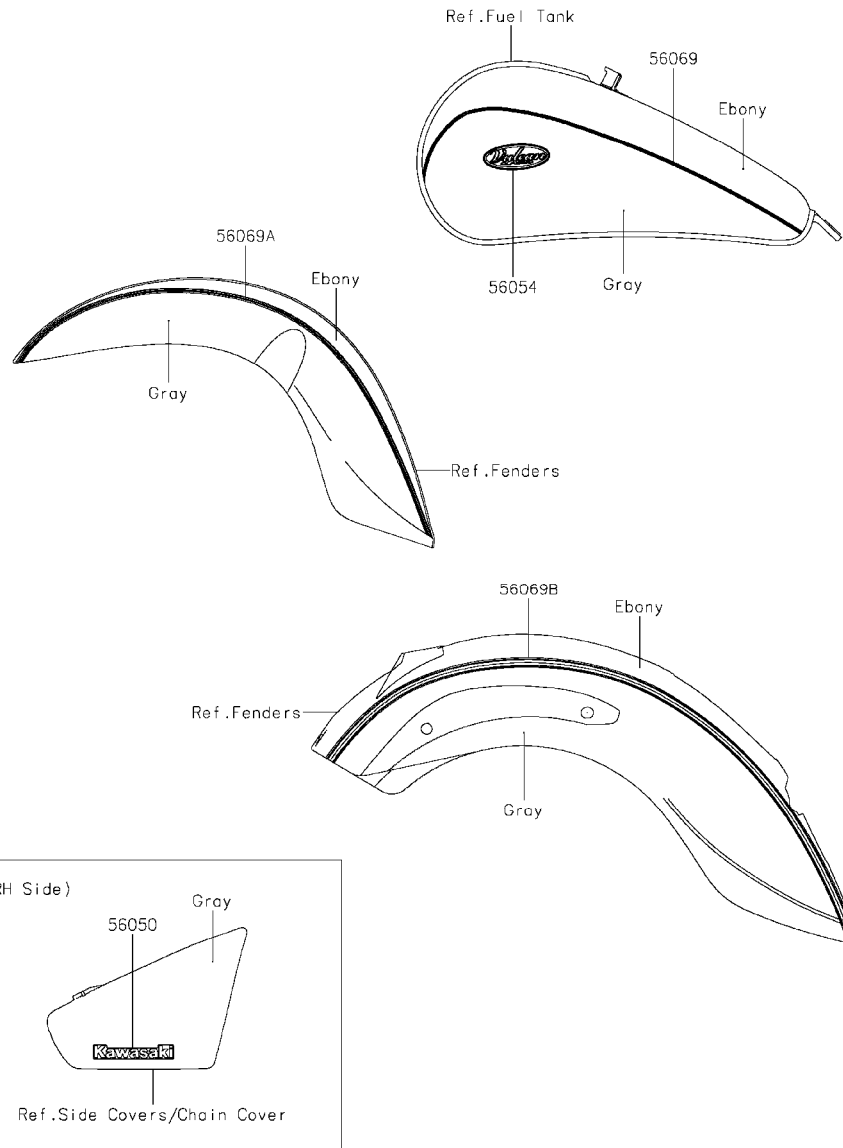
GRID NO.

H-3

This grid covers:

Decals(Gray/Ebony)(BEF)

F2861B



Ref. No.	Part No.	Description	Spec Code	Quantity-VN900				
				'12	'13	'14	'15	
				BCFA	BDF	BEF	BFF	
56050	56050-1901	MARK,SIDE COVER,KAWASAKI						1
56054	56054-1363	MARK,FUEL TANK,VULCAN CLASSIC						2
56069	56069-4328	PATTERN,FUEL TANK						2
56069A	56069-4329	PATTERN,FR FENDER						2
56069B	56069-4330	PATTERN,RR FENDER						2

This catalog covers:

'12~'15 VN900 BCFA/BDF/BEF/BFF Chassis

GRID NO.

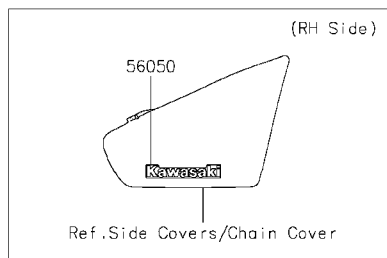
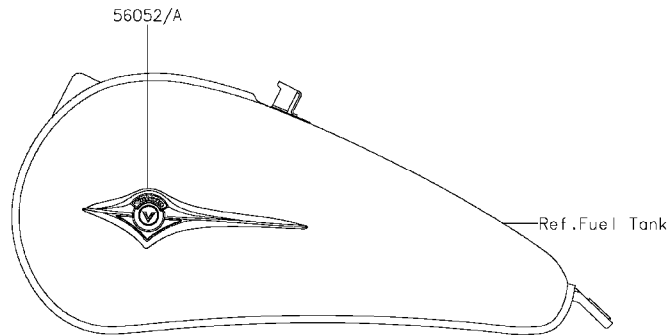
H-4

This grid covers:

Decals(Gray)(BFF)

F2861C

Ref. No.	Part No.	Description	Spec Code	Quantity-VN900				
				'12	'13	'14	'15	
				BCFA	BDF	BEF	BFF	
56050	56050-1901	MARK,SIDE COVER,KAWASAKI						1
56052	56052-0810	MARK,FUEL TANK,LH						1
56052A	56052-0811	MARK,FUEL TANK,RH						1



This catalog covers:

'12~'15 VN900 BCFA/BDF/BEF/BFF

GRID NO. This grid covers:

L-13 Numerical Parts Index

Part No.	Grid No.	Part No.	Grid No.	Part No.	Grid No.	Part No.	Grid No.	Part No.	Grid No.	Part No.	Grid No.
11004-0062	B-3	12009-3701	B-8	13097-0050	B-11	13216-0016	B-11	14073-0104	B-6	21066-0705	C-14
11005-0062	B-5	12011-1051	B-8	130BA0610	C-6	13235-1067	B-10	14075-0001	D-7	21121-0027	D-3
11005-0085	B-5	12016-0019	B-8	130BA0610	G-9	13235-1068	B-10	14091-0289	C-6	21130-1075	D-3
11008-0102	B-3	12016-0020	B-8	130BA0612	C-10	13236-0100	C-3	14091-0506	B-4	21163-0066	D-4
11008-0103	B-3	12020-1070	B-3	130BA0614	D-7	13236-0119	C-3	14091-0507	B-4	21175-0205	C-10
11009-1105	C-13	12021-0017	B-3	130BA0616	G-5	13236-1126	C-3	14091-0508	B-4	21176-0009	C-10
11009-1145	D-7	12044-0097	B-10	130BA0616	G-6	13236-1269	B-12	14091-0510	C-6	21176-0021	E-8
11009-1372	G-7	12044-0098	B-10	130BA0622	D-5	13236-1315	F-4	14091-0511	C-6	21176-0025	C-10
11009-1413	G-8	12046-0045	C-12	130BA0830	F-12	13239-0018	B-14	14091-0516	F-11	21176-0048	C-10
11009-1856	B-7	12046-1171	B-10	130BB0608	G-10	13251-0016-JJ	B-11	14091-0520	E-5	21176-0054	C-10
11011-0080	B-6	12048-1145	B-10	130BB0610	E-5	13262-0419	B-13	14091-0521	E-5	21176-0058	C-10
11011-0142	B-6	12053-0070	C-12	130BB0610	F-12	13262-0496	B-13	14091-0525	G-8	21176-0090	C-10
11012-1084	D-7	12053-1354	B-10	130BB0610	G-3	13262-0497	B-13	14091-0526	E-5	220AA0410	G-7
11012-1367	G-8	120CA0514	C-14	130BB0610	G-9	13262-0699	B-13	14091-0536-18R	F-6	220AA0516	G-5
11012-1388	C-11	120CA0514	D-3	130BB0612	E-5	13262-0700	B-13	14091-0633	C-6	220AA0516	G-6
11012-1461	C-13	120CA0520	C-10	130BB0612	G-9	13262-0701	B-13	14091-0638	E-5	220AB0508	G-3
11012-1561	F-9	120CA0612	C-6	130BB0614	E-5	13262-0702	B-13	14091-0641	G-4	220R0525	F-8
11012-1618	F-9	120CA0612	C-8	130BB0614	G-3	13262-0703	B-13	14091-0733	E-5	221AA0616	C-4
11013-0015	B-6	120CA0616	C-10	130BB0614	G-7	13270-1170	C-13	14091-0836	E-5	221AB0635	G-10
11038-0015	B-6	120CA0618	B-6	130BB0620	C-14	13271-0700	C-6	14091-0882-H8	C-6	223AA0510	D-4
11052-1305	F-6	120CA0620	C-8	130BB0620	E-5	13271-0841	C-4	14091-1215	F-14	23005-0303-21	G-5
11054-0034	F-11	120CA0635	D-3	130BB0814	E-10	13280-1101	F-8	14091-1628	E-5	23005-0304	G-6
11054-0119	E-5	120CA0655	D-3	130BB0816	E-4	13280-1154	C-8	14091-1728	E-5	23006-1081	G-5
11054-0120	E-5	120CA0675	C-6	130BB0818	E-3	13280-1263	D-4	14091-1729	E-5	23006-1081	G-6
11054-0122	E-5	120CA0825	E-10	130BB0835	B-7	132BA0612	C-4	14091-1730-H8	F-11	23007-1396	G-5
11054-0124	E-5	120CB0616	E-8	130BB0835	F-6	132BA0612	D-7	14091-1737	C-6	23007-1397	G-6
11054-0147	E-5	120CC0535	B-6	130BB0865	E-3	132BA0614	C-4	14091-1772	E-5	23008-1609	G-6
11054-0417	F-13	120CC0620	B-7	130BB1014	E-5	132BA0614	C-7	14092-0915	B-4	23016-0007	G-7
11054-0492	G-10	120CC0630	C-6	130BB1025	E-3	132BA0620	C-7	14092-0916	B-4	23016-1186	F-14
11054-0736	E-5	120CC0640	C-6	130BB1030	E-8	132BA0625	D-4	16007-1178	B-8	23017-1063	F-14
11054-0738	E-5	120CC0650	C-6	130BB1055	E-4	132BA0630	C-5	16021-0016	C-8	23017-1064	F-14
11054-1537	D-3	120CC0665	C-6	130BB1090	C-5	132BA0630	C-7	16073-3707	C-8	23020-018	G-5
11054-1761	G-7	13001-0067	B-5	130CA0514	C-13	132BA0660	C-5	16097-0008	C-13	23020-018	G-6
11055-1167-18R	G-5	13002-0011	B-5	130CA0630	G-8	132BA0670	C-5	16097-1058	C-13	23025-0025	G-7
11055-1167-CE	G-6	13008-0021	B-5	130CB0620	C-3	132BA0685	C-5	16115-1009	C-6	23026-1054	G-7
11056-1356	D-7	13031-0058	B-11	13107-0115	B-11	132BB0612	F-6	16126-1437	B-6	23026-1246	G-7
11060-1092	C-13	13034-1057	B-11	13107-0116	C-12	132BB0612	G-8	16130-0002	C-13	23037-0087	G-8
11060-1682	B-10	13034-1058	B-11	13127-0038	B-13	132BB0614	D-6	16142-0028	C-12	23037-0131	G-8
11060-1926	C-6	13034-1059	B-11	13128-0025	B-13	132BB0620	D-6	16154-1056	C-12	23037-0132	G-8
11060-1952	F-11	13041-0009	B-11	13140-0031	B-14	132BB0816	E-8	16160-0095	D-7	23048-1065	G-8
11061-0207	B-7	13063-002	C-3	13140-1138	B-14	132E0612	G-8	16163-0114	C-8	23048-1066	G-8
11061-0208	C-6	13070-0055	C-6	13145-0028	B-14	14001-0069	C-4	16164-1054	C-11	23051-0020	G-8
11061-0209	C-6	13070-0056	F-9	13151-1085	B-14	14014-0024	C-4	16165-1001	C-11	23051-0021	G-8
11061-0261	B-4	13087-0042	B-12	13156-0063	C-3	14014-0026	C-4	18087-0283	B-7	23051-0022	G-8
11061-0284	B-5	13088-0023	B-12	13156-0567	C-3	14014-1014	B-14	18087-0284	B-7	23058-002	G-8
11061-1089	G-7	13088-1133	B-12	13159-1052	F-6	14031-0056	C-6	21003-0053	C-14	23062-1132	G-5
11065-0156	E-5	13089-027	B-12	13161-0046	C-3	14032-0076	C-6	21007-0076	C-14	23062-1132	G-6
112BA1065	F-8	13091-1308	C-11	13165-1151	C-3	14032-0135	C-6	21025-011	D-4	25023-0057	F-14
12004-1139	B-8	13091-1389	B-14	13187-1006	B-12	14037-0046	D-6	21039-1060	D-4	25031-0323	F-14
12005-1225	B-8	13095-0092	B-12	13194-0009	D-4	14073-0103	B-6	21040-1055	D-4	26006-0001	G-9

This catalog covers:

'12~'15 VN900 BCFA/BDF/BEF/BFF

GRID NO. This grid covers:

L-14

Numerical Parts Index

Part No.	Grid No.	Part No.	Grid No.	Part No.	Grid No.	Part No.	Grid No.	Part No.	Grid No.	Part No.	Grid No.
26006-1006	D-4	35004-5380-40Y	E-9	41023-1102	E-12	43049-1055	F-5	46003-0155	F-8	51088-5019-40Y	F-11
26006-1078	G-9	35004-5392-46A	E-9	41025-0046	E-12	43049-1068	F-7	46012-0085	F-8	51088-5305-46A	F-11
26011-0089	G-9	35009-0014	E-9	41025-0062	E-12	43049-1092	F-7	46012-0311-21	F-8	52005-0718	F-11
26011-0090	G-9	35023-0073	E-9	41029-0022	E-12	43049-1096	F-5	46012-1273	F-8	52005-1009	C-6
26011-0109	C-13	35023-0114-10H	E-9	41029-0026	E-12	43056-0007	F-5	46012-1292-21	F-8	53003-0323-MA	F-13
26011-0126	D-4	35023-0114-51A	E-9	41030-0008	E-12	43056-0007	F-7	46019-1123	F-8	53003-0341-MA	F-13
26011-0271	G-9	35023-5207-40Y	E-9	41030-0012	E-12	43057-003	F-5	46055-003	F-8	53044-0034	C-6
26012-0094	G-9	35023-5231-46A	E-9	41032-0005	E-12	43057-003	F-7	46056-005	F-8	53066-0341-MA	F-13
26031-0448	G-9	35034-0082	G-4	41034-0029	E-13	43058-0011	E-14	46075-1212	F-8	53066-0375-MA	F-13
26031-0974	G-9	35034-0090	E-9	41034-0047	E-14	43064-006	F-4	46076-0075	F-8	54010-0065	G-3
27002-0007	G-9	35063-0240	C-8	41068-0057	E-14	43078-0045	D-7	46091-0230	F-8	54011-0070	G-3
27002-1101	G-9	35063-0342-18R	E-5	41068-0058	E-13	43078-1178	F-6	46091-0231	F-8	54012-0171	G-3
27003-0039	G-9	36001-0081-10H	G-4	41075-0011	E-12	43080-0076-DJ	F-5	46092-1204	F-8	54012-0172	G-3
27005-0032	G-10	36001-0081-45L	G-4	41075-0012	E-12	43080-5098-DJ	F-7	46098-017	E-3	55020-1589	D-4
27008-0042	G-10	36001-0081-45W	G-4	41075-0013	E-12	43082-0009	F-5	46102-1374	B-12	550AA2015	F-6
27010-0025	F-4	36001-0081-51A	G-4	41077-0017	C-13	43082-0063	F-7	480J1100	C-12	550AA4035	E-14
27010-0050	G-10	36001-0082-10H	G-4	41077-0024	C-13	43084-003	F-5	480J1300	C-3	550AA4040	E-14
27010-1268	F-8	36001-0082-45L	G-4	41080-0093-CM	F-7	43084-003	F-7	480J2200	B-14	551R0408	C-8
27010-1313	C-13	36001-0082-45W	G-4	41080-0095-CM	F-5	43095-0306	F-6	480J2900	B-13	56001-0063	F-8
27010-1446	D-4	36001-0082-51A	G-4	42033-0037	E-14	43095-0681	F-4	482EA7000	E-8	56001-0064	F-8
27010-1470	G-10	36014-0031	G-4	42036-0031	E-6	43095-0682	F-6	482EA7000	F-3	56001-0282	F-8
27016-1098	G-10	36014-0032	G-4	42036-0032	E-7	44005-0104	F-9	482EA8000	E-8	56001-0283	F-8
27016-5341	G-10	36014-0052	G-4	42036-0040	E-7	44005-0105	F-9	482J0100	B-12	56007-0095	G-11
27016-5342	G-10	39007-0160	E-7	42036-1078	E-7	44006-0104	F-9	49002-1097	B-3	56008-1075	G-11
27045-5323	G-10	39060-0029	D-6	42036-1234	E-7	44006-0105	F-9	49006-1054	F-5	56019-120	G-11
28011-0168	F-14	39062-0009	D-7	42036-1251	E-14	44013-0257	F-9	49006-1094	F-7	56030-0016	G-9
28012-1077	G-10	39062-0118	D-7	42046-003	E-14	44023-0126	F-9	49006-1095	F-5	56030-0046	G-9
31064-0047-18R	E-3	39062-0120	D-7	43001-0023	F-3	44026-0190	F-9	49006-1095	F-7	56030-0102	G-9
31064-0097-18R	E-3	39062-0121	D-7	43001-0056	F-3	44029-0019	F-9	49016-1044	F-4	56033-0138	G-12
31064-0184-18R	E-3	39062-0124	D-7	43001-0057	F-3	44033-0035	F-9	49016-1203	G-5	56033-0306	G-12
32097-0021	E-5	39062-0132	D-7	43001-0709	F-3	44033-0037	F-9	49016-1203	G-6	56050-1901	G-13
32151-1893	B-3	39076-0008	D-4	43001-0715	F-3	44033-0039	F-9	49033-0011	C-8	56050-1901	H-3
32151-1895	C-13	39110-1124	C-3	43010-1062	F-6	44033-0069-18R	F-9	49040-0022	C-9	56050-1901	H-4
32154-0752	C-4	39111-0026	E-7	43015-0081	F-6	44033-0069-21	F-9	49047-0036	B-14	56052-0810	H-4
32160-0597-18R	E-3	39137-0019	G-8	43015-0169	F-4	44033-0070-18R	F-9	49054-0004	D-7	56052-0811	H-4
32190-0229-18R	E-4	39137-0564-21	G-8	43020-1057	F-6	44033-0070-21	F-9	49056-0018	C-8	56053-0176	G-12
32190-0274	E-4	39156-0045	F-3	43020-1098	F-4	44033-0071-18R	F-9	49063-1055	D-5	56054-0874	G-13
32190-0275	E-4	39156-1641	C-3	43022-1010	F-4	44037-0068-18R	F-9	49078-1090	B-8	56054-1054	G-14
32190-0276	E-4	39192-0042	D-7	43026-0025	F-4	44037-0068-CE	F-9	49079-0011	E-14	56054-1075	G-14
33001-0226-18R	E-6	39192-0043	D-7	43026-1051	F-6	44039-0062	F-9	49079-0016	B-13	56054-1363	H-3
33032-0018	E-6	39192-0044	D-7	43027-1051	F-6	44039-0087-18R	F-9	49085-1066	D-7	56069-1745	G-13
33040-0005	E-6	39192-0048	D-7	43027-1059	F-4	44045-051	F-9	49091-0001	F-4	56069-2528	G-14
34003-0030-18R	E-8	39193-0035	C-13	43028-1057	F-6	44065-0019	F-9	49091-0001	F-6	56069-2618	G-14
34003-0039	E-8	39193-0036	C-13	43028-1058	F-4	44065-1017	E-7	49107-0087	B-7	56069-2619	G-14
34003-0050	E-8	39193-0037	C-13	43034-0061	F-7	44065-1087	F-9	49107-0106	B-7	56069-4328	H-3
34024-0083	E-11	41009-0103	E-12	43034-0071	F-4	44071-1087	F-9	49116-0014	F-11	56069-4329	H-3
34028-0011	E-8	41009-0104	E-12	43044-1115	F-5	44071-1088	F-9	51001-0335-51A	F-11	56069-4330	H-3
34028-0017	E-8	41022-0024	E-12	43044-1134	F-7	44071-1089	F-9	51044-0027	C-9	56071-0023	G-12
35004-0062-10H	E-9	41022-1192	E-12	43048-1052	F-5	44071-1090	F-9	51049-5001	G-10	56071-0024	G-12
35004-0062-51A	E-9	41023-0008	E-12	43048-1094	F-7	45014-0271	E-7	51087-5268-40G	F-11	56071-0158	G-12

This catalog covers:

'12~'15 VN900 BCFA/BDF/BEF/BFF

GRID NO.

This grid covers:

L-15

Numerical Parts Index

Part No.	Grid No.	Part No.	Grid No.	Part No.	Grid No.	Part No.	Grid No.	Part No.	Grid No.	Part No.	Grid No.
59011-0021	E-14	92009-1163	F-14	92022-1905	B-11	92033-1043	E-14	92049-1060	E-6	92070-0022	D-3
59026-0017	D-3	92009-1458	F-4	92022-1906	B-11	92033-1186	F-6	92049-1109	E-7	92070-0029	D-3
59051-0060	D-4	92009-1503	F-14	92022-227	B-10	92033-1188	B-5	92049-1162	E-3	92071-0024	D-4
59071-3717	C-11	92009-1637	G-8	92025-1870	B-8	92037-1104	C-11	92049-1205	E-7	92071-0026	B-6
59071-3717	D-7	92009-1662	G-4	92025-1871	B-8	92037-1163	F-8	92049-1218	B-8	92071-100	C-13
59076-0003	C-8	92009-1677	C-3	92025-1872	B-8	92037-147	C-11	92049-1228	C-4	92072-0012	C-8
59256-1073	D-5	92009-1792	G-4	92025-1873	B-8	92037-147	D-7	92049-1271	C-6	92072-1384	E-5
59464-0684	G-12	92009-1816	G-5	92025-1874	B-8	92037-147	F-11	92049-1287	E-14	92072-1419	C-11
59502-0023	D-6	92009-1816	G-6	92025-1875	B-8	92037-1512	C-11	92049-1398	C-3	92075-1067	E-10
600A0500	B-13	92009-1879	G-5	92025-1876	B-8	92037-1539	C-6	92050-060	E-13	92075-1123	B-6
601A6001	C-4	92009-1879	G-6	92025-1877	B-8	92037-1539	G-5	92051-005	C-6	92075-1629	C-6
601A6203	E-6	92009-1966	G-7	92025-1878	B-8	92037-1539	G-6	92055-0016	C-10	92075-1690	D-6
601A6204Z	C-4	92009-1984	C-10	92025-1879	B-8	92037-1547	F-6	92055-0096	B-3	92075-1690	G-7
601B6004UG	E-13	92015-1157	G-5	92025-1880	B-8	92037-1827	G-9	92055-0097	B-3	92075-1736	F-11
601B6204UU	E-14	92015-1157	G-6	92025-1881	B-8	92037-1900	B-6	92055-0118	C-8	92075-1738	E-4
601B6205UU	E-14	92015-1191	F-8	92025-1882	B-8	92037-1903	F-8	92055-035	B-13	92075-1739	E-4
610A0404	B-14	92015-1356	G-8	92025-1883	B-8	92038-001	C-14	92055-049	C-6	92075-1841	E-10
610A0410	B-14	92015-1367	D-3	92025-1884	B-8	92039-1251	G-4	92055-0741	F-6	92075-1927	F-13
670B2012	E-5	92015-1367	G-7	92025-1885	B-8	92042-028	C-4	92055-0831	D-7	92075-209	G-7
670B2014	D-7	92015-1377	E-3	92025-1886	B-8	92043-0033	B-11	92055-1011	C-13	92081-1033	B-12
670B2021	D-7	92015-1378	E-3	92025-1887	B-8	92043-0047	F-3	92055-1276	D-4	92081-1737	F-6
670B3034	C-7	92015-1406	B-3	92025-1888	B-8	92043-1013	F-6	92055-1279	C-12	92081-1862	C-13
670D1506	C-13	92015-1433	E-7	92025-1889	B-8	92043-1263	B-3	92055-1352	B-4	92081-1895	B-14
670D1507	C-13	92015-1443	C-3	92025-1890	B-8	92043-1263	C-12	92055-1358	C-13	92093-0054	B-6
670D2012	C-13	92015-1444	C-3	92025-1892	B-8	92043-1263	C-6	92055-1363	F-9	92093-0057	B-6
670D2020	C-13	92015-1476	D-4	92025-1983	B-8	92043-1266	B-3	92055-1370	D-4	92093-0072	C-8
670E5075	C-9	92015-1494	E-6	92025-1984	B-8	92043-1266	B-5	92055-1381	D-4	92093-0659	F-9
671B2560	E-14	92015-1528	F-4	92025-1985	B-8	92043-1339	E-8	92055-1622	C-8	92093-1427	D-7
92001-1005	B-3	92015-1555	B-12	92026-0090	F-9	92043-1489	F-5	92057-0113	C-12	92104-0004	G-11
92001-1066	B-12	92015-1700	F-6	92026-0102	B-13	92043-1640	F-7	92057-1403	B-10	92104-1064	G-11
92001-1457	B-10	92015-1700	G-4	92026-022	B-12	92043-1707	E-8	92062-1079	C-4	92106-1001	G-11
92001-1715	C-3	92015-1757	C-10	92026-079	B-13	92045-0059	C-4	92065-058	B-14	92107-005	G-11
92002-1130	E-7	92015-1904	G-4	92026-116	B-12	92045-1017	C-4	92065-097	C-4	92110-0018	G-11
92002-1135	B-6	92015-1946	E-6	92026-1490	D-4	92045-1045	B-14	92066-0002	B-3	92110-1015	G-11
92002-1201	F-3	92015-1963	B-13	92026-1515	F-9	92045-1137	C-4	92066-0078	F-9	92110-1152	G-11
92002-1296	B-11	92015-1993	E-13	92027-1062	B-6	92045-1207	C-4	92066-0079	C-4	92110-1153	G-11
92002-1323	F-4	92022-077	C-6	92027-1450	D-6	92045-1235	B-12	92066-0718	F-8	92110-1173	G-11
92002-1439	C-12	92022-077	D-5	92027-1450	G-7	92046-0019	E-7	92066-1260	B-3	92111-0002	G-11
92002-1534	C-12	92022-1132	D-4	92027-1752	E-13	92046-0034	C-6	92066-1285	F-8	92116-1009	E-3
92002-1561	F-4	92022-1224	C-3	92027-1780	F-11	92046-028	B-12	92066-1462	B-3	92122-1126	B-3
92002-1592	C-12	92022-1517	C-4	92027-1848	E-5	92046-1035	E-6	92066-1543	G-10	92122-1126	C-12
92002-1592	C-13	92022-1557	G-7	92027-1902	E-14	92046-1110	E-7	92068-006	C-8	92122-1197	B-10
92002-1713	F-7	92022-1582	F-6	92027-1941	G-8	92046-1112	E-7	92069-0050	G-5	92126-004	G-11
92004-0016	E-14	92022-161	B-13	92028-178	B-12	92046-1171	D-4	92069-0050	G-6	92139-0139	C-4
92004-0026	C-4	92022-1664	D-4	92033-0079	F-6	92046-1303	B-13	92069-063	G-7	92139-0186	B-13
92004-0027	C-4	92022-169	C-13	92033-015	B-13	92047-017	E-3	92069-1016	G-6	92143-1188	E-6
92004-1217	B-3	92022-1820	E-14	92033-026	B-13	92049-0058	F-9	92069-1055	G-7	92143-1351	F-8
92005-0052	B-4	92022-1829	B-4	92033-0756	F-9	92049-0076	C-4	92069-1068	F-14	92144-1029	C-3
92005-0054	B-6	92022-183	E-5	92033-0757	F-9	92049-1047	E-6	92069-1105	F-14	92144-1074	C-3
92005-1161	B-3	92022-1868	B-12	92033-1040	E-6	92049-1056	E-14	92069-1117	F-14	92144-1141	G-10

This catalog covers:

'12~'15 VN900 BCFA/BDF/BEF/BFF

GRID NO.

This grid covers:

L-16

Numerical Parts Index

Part No.	Grid No.	Part No.	Grid No.	Part No.	Grid No.	Part No.	Grid No.	Part No.	Grid No.	Part No.	Grid No.
92144-1266	E-8	92153-0721	F-8	92161-0375	E-10	92172-0172	E-10	92210-0263	E-3		
92144-1831	F-5	92153-0740	F-5	92161-0406	E-10	92173-0165	F-10	92210-0267	E-7		
92144-1831	F-7	92153-0793	B-4	92161-0459	E-10	92173-0848	F-12	92210-0269	B-3		
92144-1832	F-5	92153-0817	E-10	92161-0466	E-14	92180-1058	B-8	92210-0276	E-14		
92144-1899	B-8	92153-0817	G-8	92161-0736	B-4	92180-1059	B-8	92210-0349	E-6		
92144-1900	B-8	92153-0912	E-5	92161-0737	B-4	92180-1194	B-8	92210-0401	F-13		
92145-0168	F-3	92153-1273	G-10	92161-0910	C-6	92180-1195	B-8	92210-0784	E-11		
92145-0191	F-3	92153-1295	C-9	92161-0911	C-6	92180-1196	B-9	92210-1060	G-5		
92145-0462	C-3	92153-1330	B-11	92161-1065	F-12	92180-1208	B-9	92210-1060	G-6		
92145-0687	E-11	92153-1331	C-6	92161-1325	E-8	92180-1209	B-9	92210-1081	E-4		
92145-1268	G-5	92153-1356	G-4	92170-1900	C-6	92180-1210	B-9	92210-1132	B-7		
92145-1268	G-6	92153-1376	F-10	92170-1925	C-6	92180-1211	B-9	92210-1134	E-14		
92145-1382	F-7	92153-1392	E-7	92170-1989	B-6	92180-1212	B-9	92210-1139	F-8		
92150-1180	D-7	92153-1400	B-4	92171-0059	B-7	92180-1213	B-9	92210-1323	D-6		
92150-1433	B-14	92153-1403	E-7	92171-0081	G-9	92191-1217	G-5				
92150-1433	C-14	92153-1416	E-11	92171-0179	D-7	92191-1217	G-6				
92150-1572	D-4	92153-1419	F-4	92171-0181	E-10	92191-1704	B-6				
92150-1689	E-5	92153-1419	F-6	92171-0261	D-7	92192-0266	B-6				
92150-1717	B-11	92153-1421	F-12	92171-0338	D-7	92192-0267	B-6				
92150-1771	F-5	92153-1599	E-10	92171-0347	G-9	92192-0269	B-6				
92150-1771	F-7	92153-1663	B-10	92171-0477	G-9	92192-0275	C-11				
92150-1826	D-7	92153-1685	G-10	92171-0563	C-14	92192-0308	C-8				
92150-1829	F-6	92153-1704	E-5	92171-0593	B-7	92192-0345	B-6				
92150-1868	B-14	92153-1909	E-4	92171-0595	F-12	92192-0505	C-11				
92150-1868	C-4	92153-1910	E-4	92171-0597	G-3	92192-0506	C-11				
92150-1869	C-3	92153-1911	E-4	92171-0600	E-5	92192-0507	C-11				
92150-1895	E-7	92154-0120	B-6	92171-0605	G-3	92192-0509	C-11				
92150-1942	E-3	92154-0252	F-10	92171-0739	C-4	92192-0510	B-6				
92151-1136	B-10	92154-0270	C-6	92171-0739	C-6	92192-1063	C-11				
92151-1327	G-8	92154-0346	E-14	92171-0765	C-11	92192-1108	F-12				
92151-1356	F-9	92154-0350	F-8	92171-0770	F-4	92200-0220	C-14				
92151-1390	G-10	92154-0541	F-4	92171-0782	F-6	92200-0222	B-13				
92151-1654	D-7	92154-1357	C-14	92171-0790	B-6	92200-0270	E-3				
92151-1940	E-5	92154-1677	F-10	92171-0791	D-6	92200-0291	B-13				
92151-1940	F-12	92160-1162	F-12	92171-1185	C-11	92200-0313	B-3				
92151-3774	C-8	92160-1162	F-14	92171-1415	C-4	92200-0353	E-3				
92152-0082	B-7	92160-1278	E-5	92171-1423	G-9	92200-1009	C-12				
92152-0335	B-13	92160-1323	F-12	92171-1424	D-7	92200-1065	B-13				
92152-0349	E-13	92160-1613	E-5	92171-1424	F-6	92200-1249	B-11				
92152-0350	E-14	92160-1613	G-4	92171-1424	G-3	92200-1388	E-10				
92152-0351	E-14	92160-1635	G-9	92171-1441	B-6	92200-1388	G-4				
92152-0358	B-11	92160-1892	F-10	92172-0004	D-6	92200-1417	F-10				
92152-0381	E-5	92160-1927	F-10	92172-0006	F-12	92200-1465	F-6				
92152-0451	B-6	92161-0124	G-4	92172-0098	F-3	92200-1482	E-8				
92152-0580	G-7	92161-0135	B-7	92172-0101	C-6	92200-1569	F-13				
92153-0500	F-9	92161-0163	G-8	92172-0137	E-5	92210-0004	B-7				
92153-0514	G-7	92161-0203	G-9	92172-0137	G-4	92210-0004	G-5				
92153-0533	F-10	92161-0232	E-8	92172-0145	G-5	92210-0004	G-6				
92153-0712	F-10	92161-0293	F-12	92172-0145	G-6	92210-0007	G-10				
92153-0716	F-8	92161-0366	B-4	92172-0164	F-8	92210-0188	D-4				

This catalog covers:

'12~'15 VN900 BCFA/BDF/BEF/BFF

GRID NO.

B-16

This grid covers:

Part Name Index

Air Cleaner	B-6
Brake Pedal	F-3
Cables	G-3
Camshaft(s)	B-10
Chain Cover	G-4
Chassis Electrical Equipment	G-9
Clutch	B-12
Crankcase	C-4
Crankcase Bolt Pattern	C-5
Crankshaft	B-11
Cylinder	B-5
Cylinder Head	B-3
Cylinder Head Cover	B-4
Decals(Gray)(BFF)	H-4
Decals(Gray/Ebony)(BEF)	H-3
Decals(Gray/White)(BCFA)	G-13
Decals(White/Ebony)(BDF)	G-14
Engine Cover(s)	C-6/C-7
Engine Mount	E-4
Fenders	E-10/E-9
Footrests	E-8
Frame	E-3
Frame Fittings	E-5
Front Brake	F-5
Front Fork	F-10/F-9
Front Hub	E-13
Front Master Cylinder	F-4
Fuel Evaporative System	C-11
Fuel Injection	C-10
Fuel Pump	C-9
Fuel Tank	F-11/F-12
Gear Change Drum	B-14
Gear Change Mechanism	C-3
Generator	C-14

Handlebar	F-8
Headlight(s)(BCFA~BEF)	G-5
Headlight(s)(BFF)	G-6
Ignition Switch	G-10
Ignition System	D-3
Labels	G-12
Meter(s)	F-14
Muffler(s)	B-7
Oil Filter	C-13
Oil Pump	C-12
Owner's Tools	G-11
Piston(s)	B-5
Radiator	D-6
Rear Brake	F-7
Rear Hub	E-14
Rear Master Cylinder	F-6
Seat	F-13
Shift Fork(s)	B-14
Shock Absorber	E-7
Side Covers	G-4
Stand(s)	E-11
Starter Motor	D-4
Suspension	E-7
Swingarm	E-6
Taillight(s)	G-7
Tensioner	B-10
Throttle	C-8
Tires	E-12
Transmission	B-13
Turn Signals	G-8
Valve(s)	B-8/B-9
Water Pipe	D-7
Water Pump	D-5