



ZX1000MEF



PARTS CATALOG



ZX1000MEF

PARTS CATALOG
KAWASAKI MOTORCYCLE

Kawasaki Motors Enterprise (Thailand) Co., Ltd.

This catalog covers:
'14 ZX1000MEF

GROUP NO.

A

This page covers:
Color Combination Parts List

Year & Model '14 ZX1000MEF

Color Candy Lime Green (17P)



Candy Lime Green (17P)

Description	Group No.	Part Number
		Candy Lime Green
COVER,KNEE GRIP,LH	F-12	14092-0161-6Z
COVER,KNEE GRIP,RH	F-12	14092-0162-6Z
FENDER-FRONT	E-10	35004-0310-739
COVER-TAIL	G-4	36040-0144-17P
TANK-COMP-FUEL	F-12	51088-5244-17P
COVER SEAT	H-3	53065-0019-17P
COWLING,LWR,LH	G-14	55028-0346-739
COWLING,LWR,RH	G-14	55028-0347-739
COWLING,SLAT,LH	G-14	55028-0348-6Z
COWLING,SLAT,RH	G-14	55028-0349-6Z
COWLING,CNT	G-13	55028-0353-6Z
COWLING,SIDE,LH	G-14	55028-0386-17P
COWLING,SIDE,RH	G-14	55028-0387-17P
COWLING,UPP	G-13	55028-0507-17P

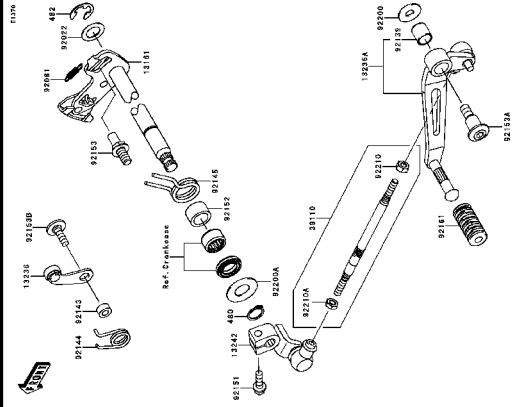
This catalog covers:

'14 ZX100MEF Engine

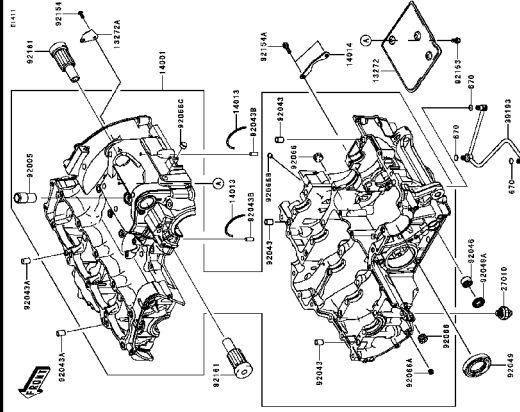
GRID NO. This grid covers:

C-1

Pictorial Index



C-3 Gear Change Mechanism

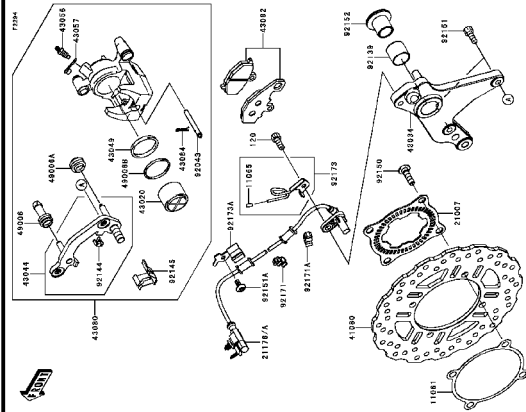


This catalog covers:

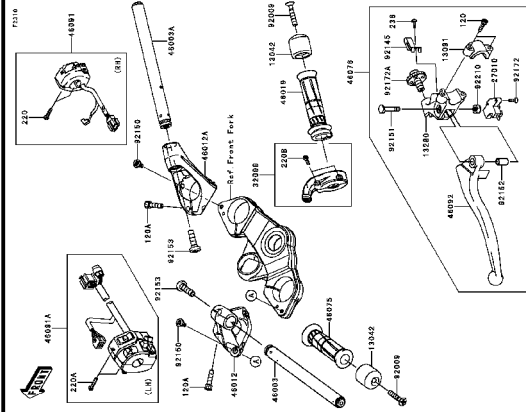
'14 ZX100MEF Chassis

GRID NO. This grid covers:

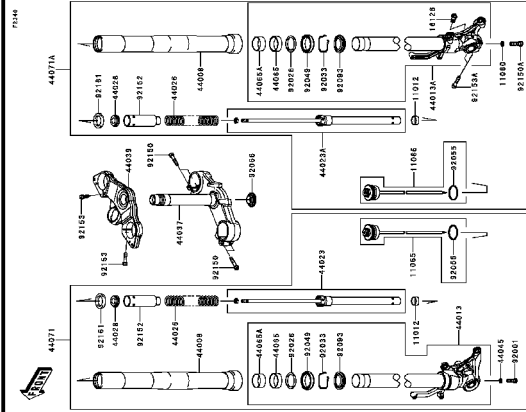
F-2 Pictorial Index



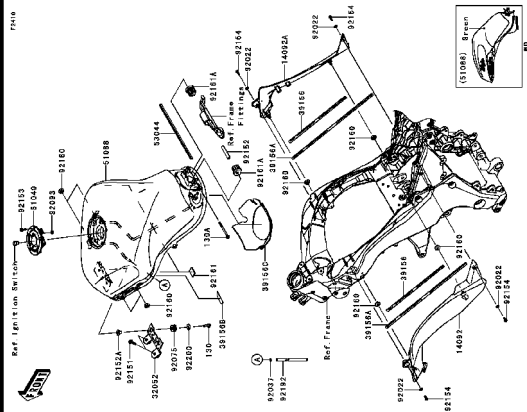
F-9 Rear Brake



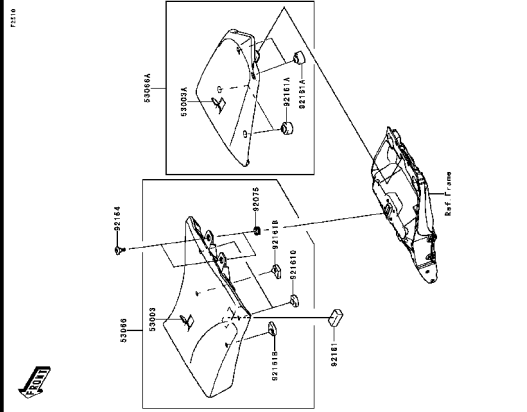
F-10 Handlebar



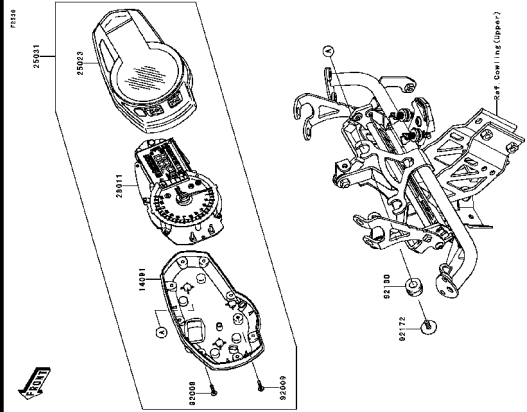
F-11 Front Fork



F-12 Fuel Tank



F-13 Seat



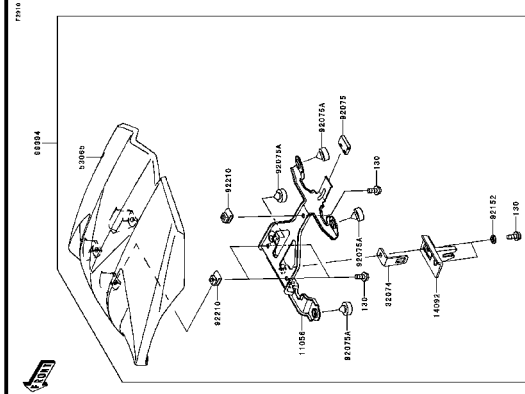
F-14 Meter(s)

This catalog covers:

'14 ZX100MEF Chassis

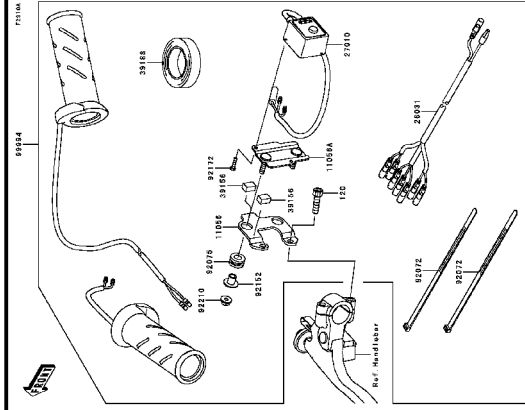
GRID NO. This grid covers:

H-1 Pictorial Index



H-3

Accessory(Single Seat Cover)



H-4

Accessory(Grip Heater)

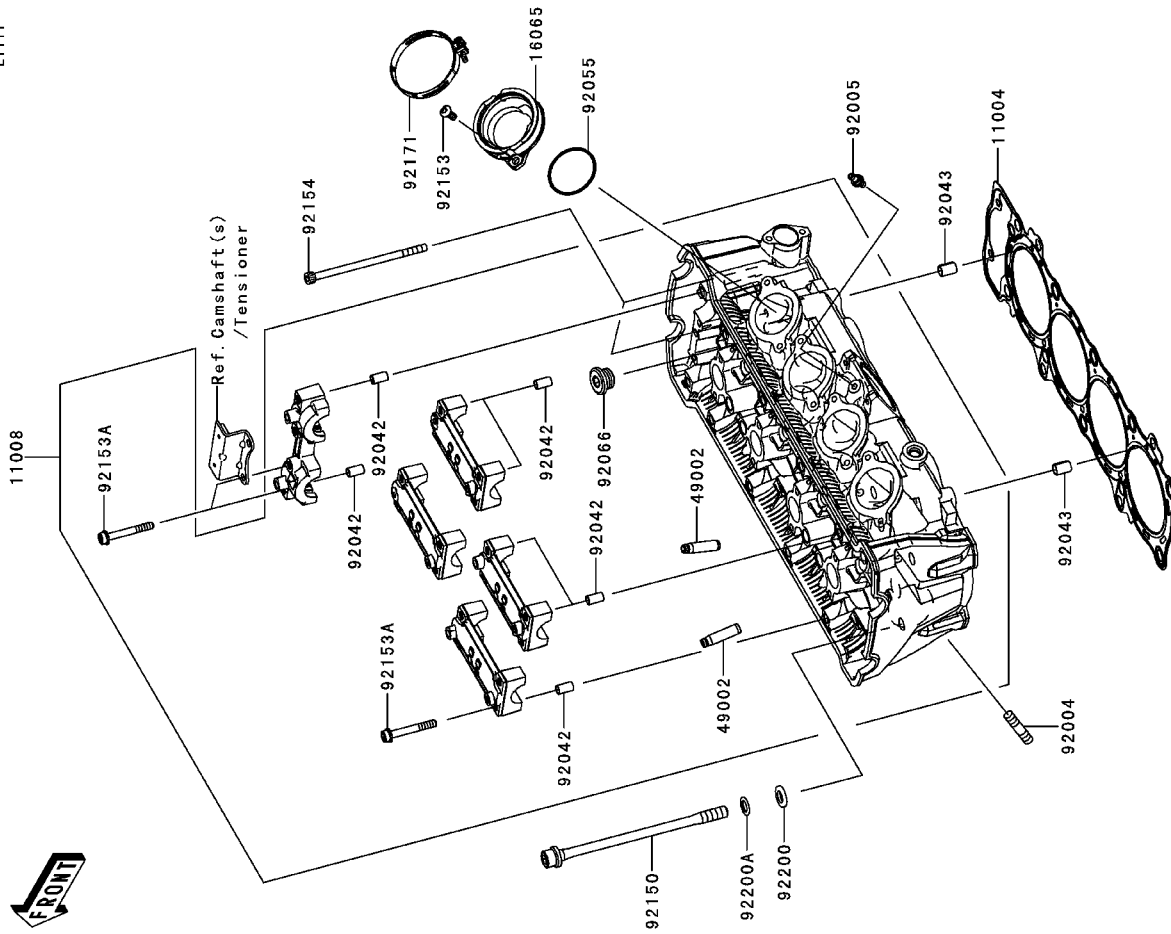
This catalog covers:

'14 ZX100MEF Engine

GRID NO. This grid covers:

B-3 Cylinder Head

E1111



Ref. No.	Part No.	Description	Spec Code	Quantity-ZX1000	
				'14	MEF
11004	11004-0084	GASKET-HEAD		1	
11008	11008-0804	HEAD-COMP-CYLINDER		1	
16065	16065-0067	HOLDER-CARBURETOR		4	
49002	49002-0009	GUIDE-VALVE		16	
92004	92004-0049	STUD,8X18		8	
92005	92005-1273	FITTING		1	
92042	92042-007	PIN,DOWEL,6.3X8X14		10	
92043	92043-1264	PIN,8.2X10X14		2	
92055	92055-1536	RING-O,42X1.9		4	
92066	92066-0016	PLUG,18X10		5	
92150	92150-1368	BOLT,10X165		10	
92153	92153-0406	BOLT,TORX,6X14		8	
92153A	92153-0656	BOLT,SOCKET,6X45		20	
92154	92154-0205	BOLT,SOCKET,6X115		2	
92171	92171-0729	CLAMP,60MM		4	
92200	92200-0257	WASHER,10.5X19X2.3		10	
92200A	92200-0925	WASHER		10	

This catalog covers:

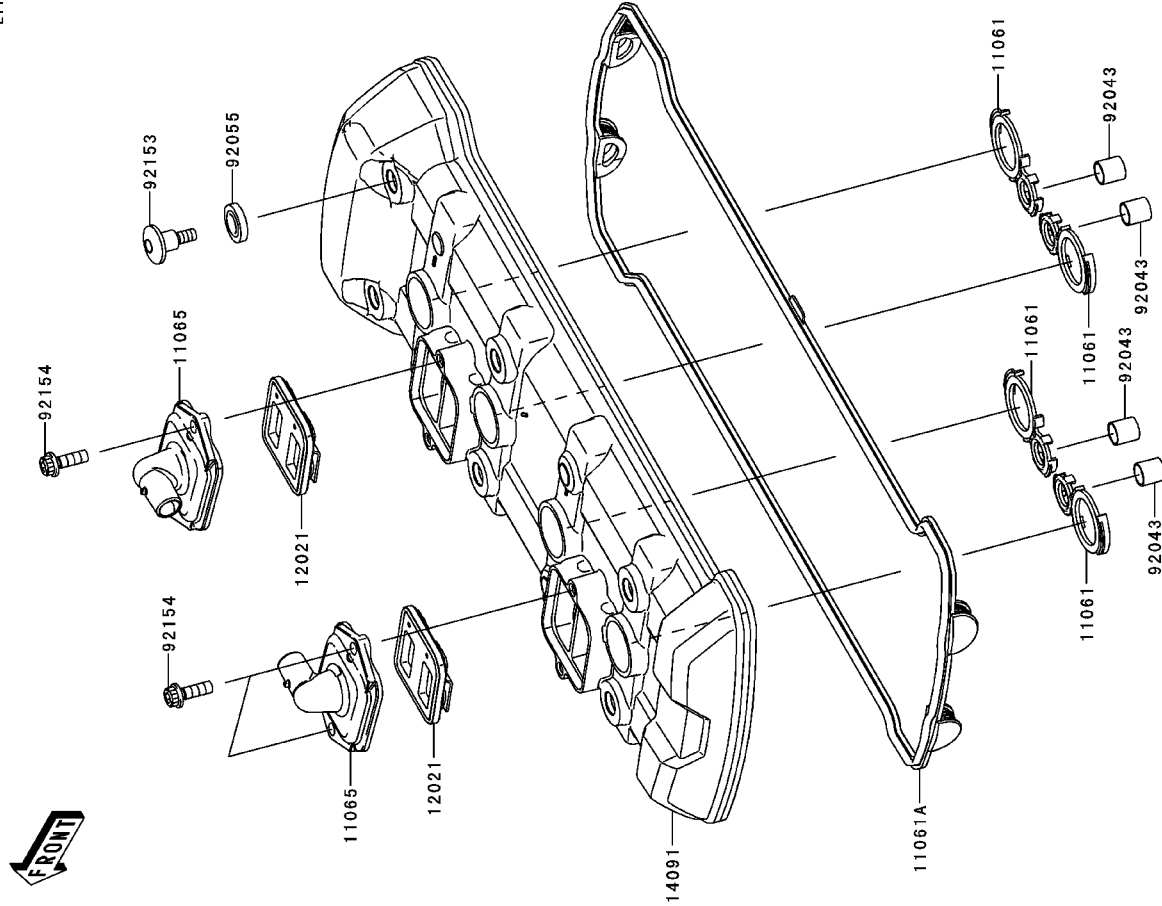
'14 ZX100MEF Engine

GRID NO. This grid covers:

B-4 Cylinder Head Cover

E1112

Ref. No.	Part No.	Description	Spec Code	Quantity-ZX1000	
				'14	MEF
11061	11061-0104	GASKET, SPARK PLUG		4	
11061A	11061-0914	GASKET, HEAD		1	
11065	11065-0328	CAP, HEAD COVER		2	
12021	12021-0016	VALVE-ASSY-REED COVER, HEAD		2	
14091	14091-1771			1	
92043	92043-4009	PIN, 10.1X12X14		4	
92055	92055-0785	RING-O		6	
92153	92153-1779	BOLT, SOCKET, 6X22.5		6	
92154	92154-0351	BOLT, SOCKET, 6X18		4	



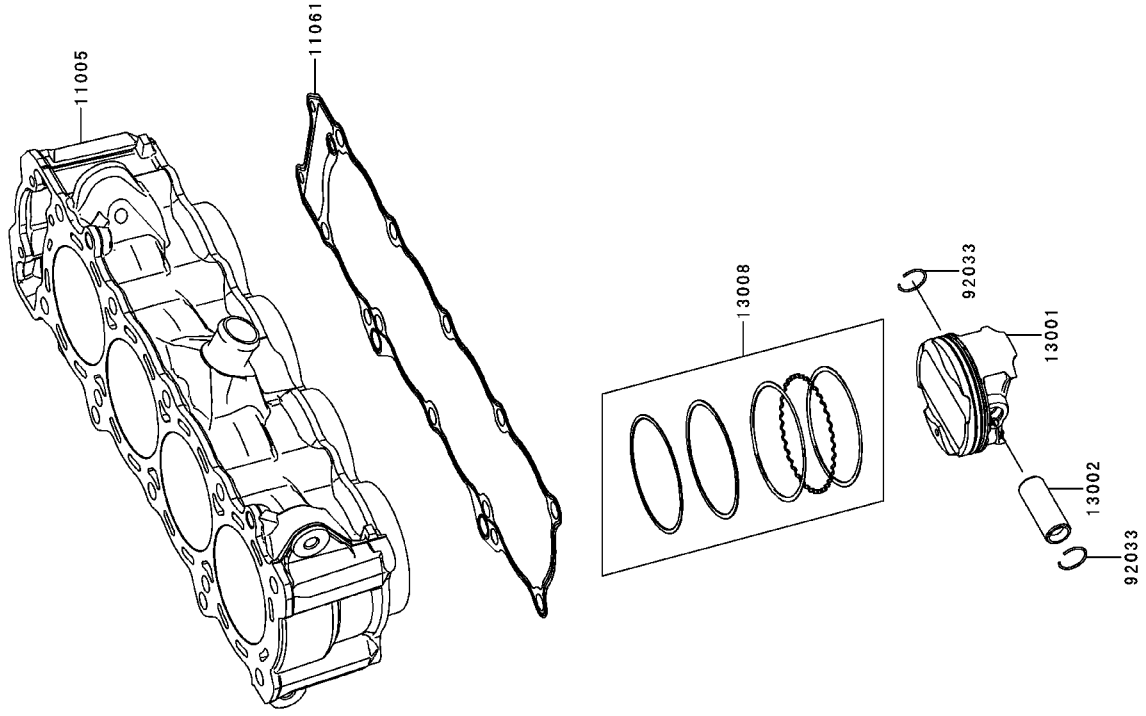
This catalog covers:

'14 ZX1000MEF Engine

GRID NO. This grid covers:

B-5 Cylinder/Piston(s)

E1120



Ref. No.	Part No.	Description	Spec Code	Quantity-ZX1000	
				'14	MEF
11005	11005-0627	CYLINDER-ENGINE			1
11061	11061-0402	GASKET,CYLINDER BASE			1
13001	13001-0114	PISTON-ENGINE			4
13002	13002-0004	PIN-PISTON			4
13008	13008-0049	RING-SET-PISTON			4
92033	92033-1054	RING-SNAP			8

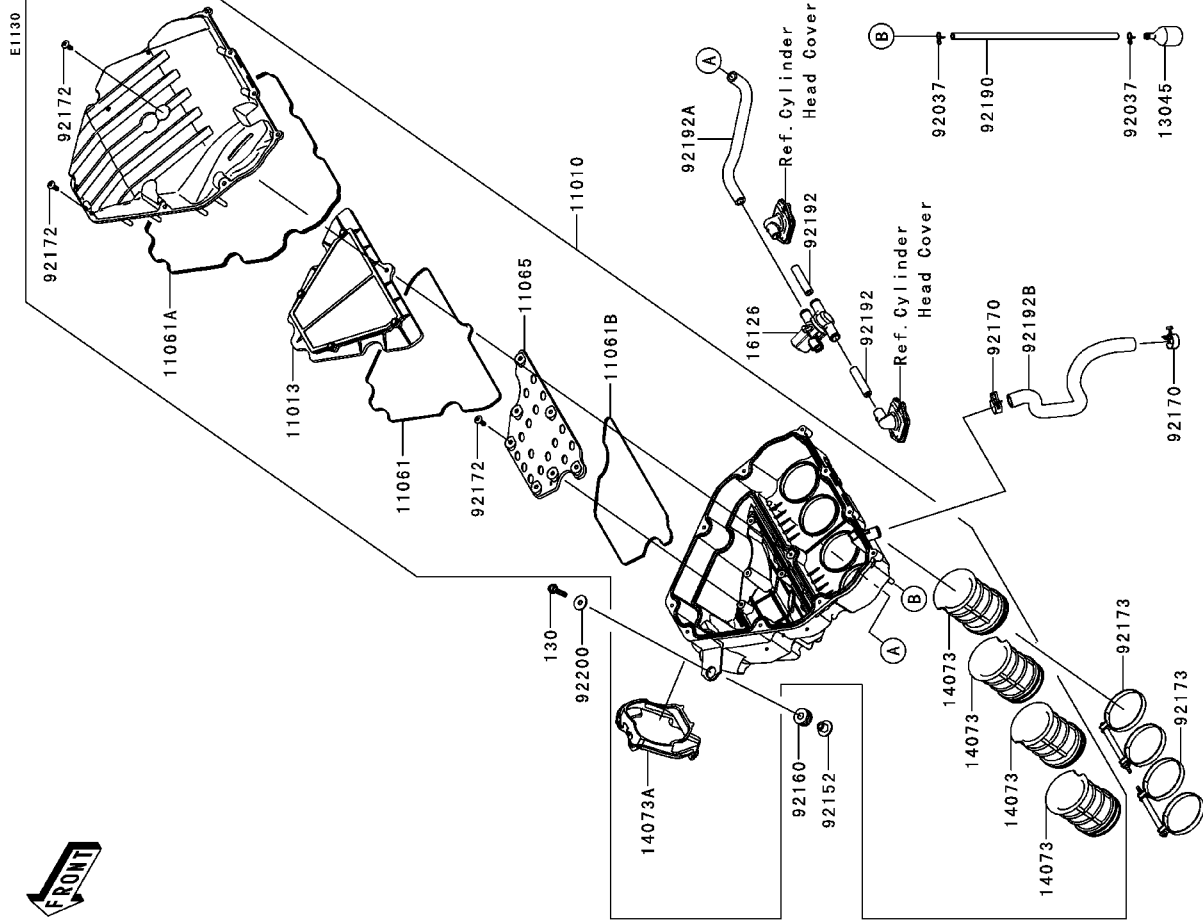
This catalog covers:

'14 ZX100MEF Engine



GRID NO. This grid covers:

B-6 Air Cleaner



Ref. No.	Part No.	Description	Spec Code	Quantity-ZX1000	
				'14	MEF
11010	11010-0785	FILTER-ASSY-AIR		1	
11013	11013-0738	ELEMENT-AIR FILTER		1	
11061	11061-0405	GASKET,ELEMENT		1	
11061A	11061-0406	GASKET,CASE		1	
11061B	11061-0424	GASKET		1	
11065	11065-0815	CAP		1	
13045	13045-1057	RECEIVER-OIL		1	
14073	14073-0722	DUCT,INTAKE FUNNEL		4	
14073A	14073-0768	DUCT,FRAME SIDE		1	
16126	16126-0038	VALVE,AIR SWITCHING		1	
92037	92037-1712	CLAMP		2	
92152	92152-0547	COLLAR,6.5X10.5X13.1		1	
92160	92160-1162	DAMPER		1	
92170	92170-1060	CLAMP		2	
92172	92172-0483	SCREW,TAPPING,5X20		18	
92173	92173-0115	CLAMP		2	
92190	92190-1253	TUBE,6X9X300		1	
92192	92192-0843	TUBE,HEAD ASV		2	
92192A	92192-0844	TUBE,ASV-A/C		1	
92192B	92192-0845	TUBE,BLOWBY		1	
92200	92200-1087	WASHER,6.5X22X1.6		1	
130	130BB0630	BOLT-FLANGED,6X30		1	

This catalog covers:

'14 ZX100MEF Engine

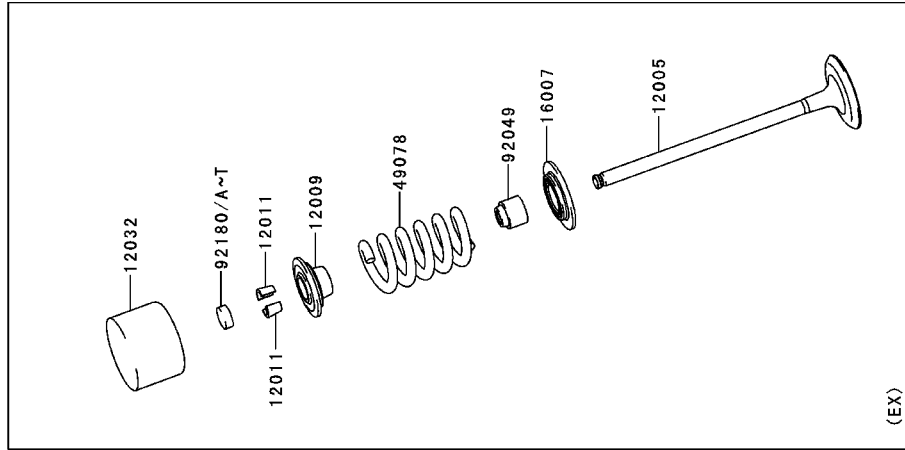
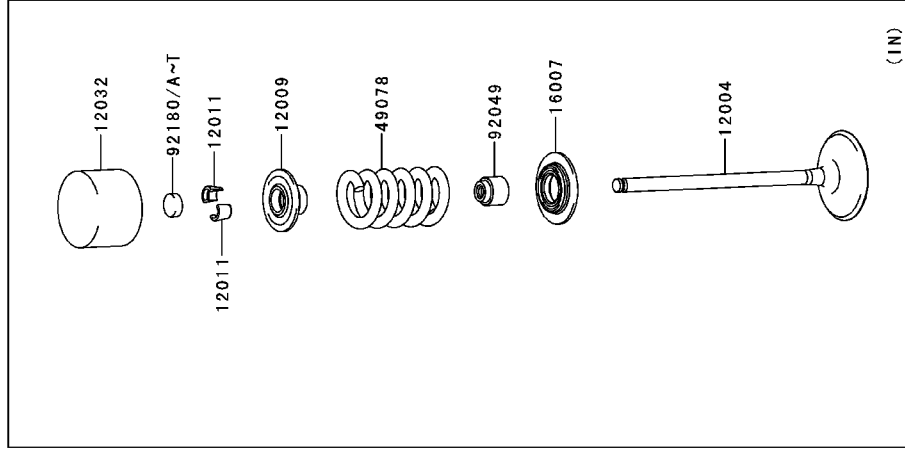


GRID NO. This grid covers:

B-8 Valve(s)

E1210

Ref. No.	Part No.	Description	Spec Code	Quantity-ZX1000	
				'14	MEF
12004	12004-0707	VALVE-INTAKE		8	
12005	12005-0054	VALVE-EXHAUST		8	
12009	12009-1091	RETAINER-VALVE SPRING		16	
12011	12011-1053	COLLET		32	
12032	12032-0009	TAPPET		16	
16007	16007-0034	SEAT-SPRING		16	
49078	49078-0073	SPRING-ENGINE VALVE		16	
92049	92049-1349	SEAL-OIL_VSB 4,3,7,5,5,3,8,3		16	
92180	92180-1014	SHIM,T=2,50		16	
92180A	92180-1016	SHIM,T=2,55		AR	
92180B	92180-1018	SHIM,T=2,60		AR	
92180C	92180-1020	SHIM,T=2,65		AR	
92180D	92180-1022	SHIM,T=2,70		AR	
92180E	92180-1024	SHIM,T=2,75		AR	
92180F	92180-1026	SHIM,T=2,80		AR	
92180G	92180-1028	SHIM,T=2,85		AR	
92180H	92180-1030	SHIM,T=2,90		AR	
92180I	92180-1032	SHIM,T=2,95		AR	
92180J	92180-1034	SHIM,T=3,00		AR	
92180K	92180-1036	SHIM,T=3,05		AR	
92180L	92180-1038	SHIM,T=3,10		AR	
92180M	92180-1040	SHIM,T=3,15		AR	
92180N	92180-1042	SHIM,T=3,20		AR	
92180O	92180-1044	SHIM,T=3,25		AR	
92180P	92180-1046	SHIM,T=3,30		AR	
92180Q	92180-1048	SHIM,T=3,35		AR	
92180R	92180-1050	SHIM,T=3,40		AR	
92180S	92180-1052	SHIM,T=3,45		AR	
92180T	92180-1054	SHIM,T=3,50		AR	



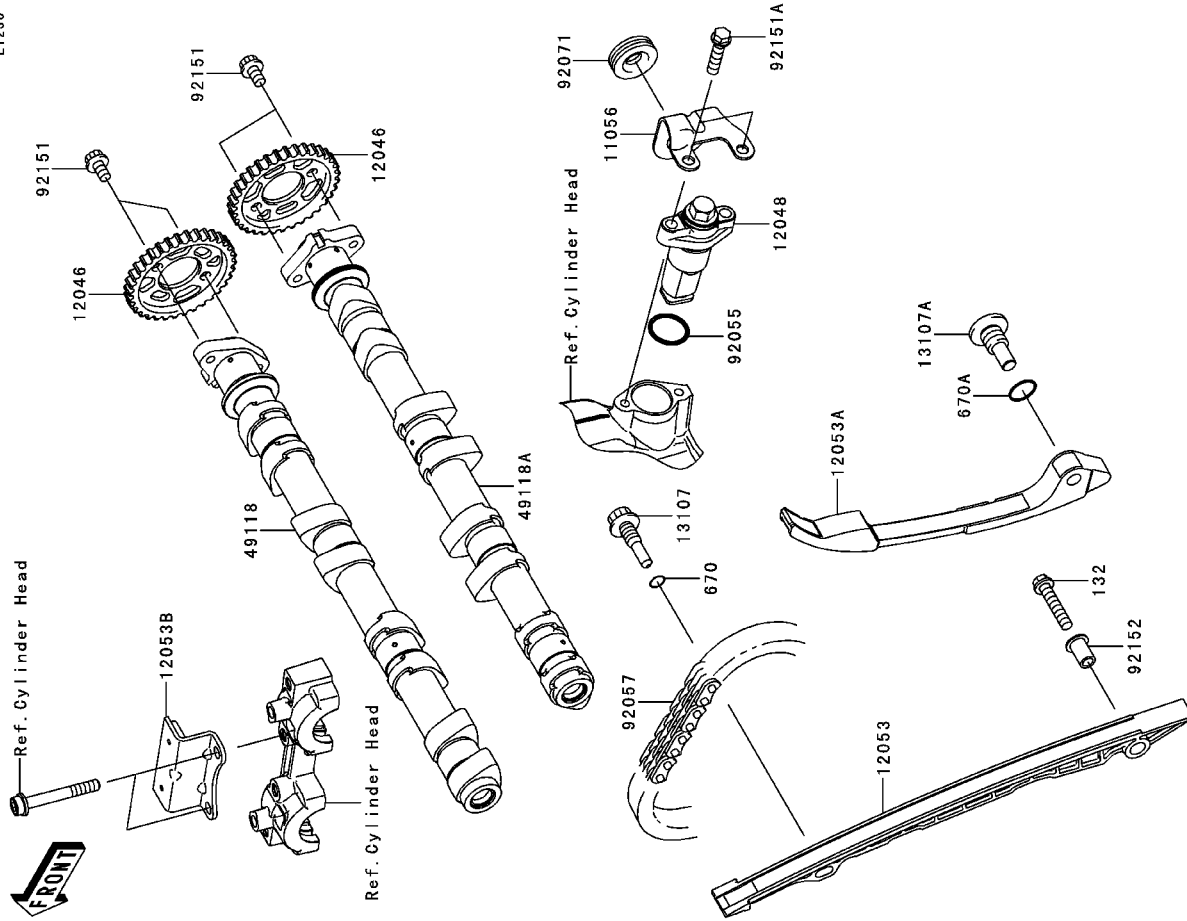
This catalog covers:

'14 ZX100MEF Engine

GRID NO. This grid covers:

B-9 Camshaft(s)/Tensioner

E1230



Ref. No.	Part No.	Description	Spec Code	Quantity-ZX1000	
				'14	MEF
11056	11056-0324	BRACKET		1	
12046	12046-0564	SPROCKET,CAMSHAFT,34T		2	
12048	12048-0080	TENSIONER-ASSY		1	
12053	12053-0161	GUIDE-CHAIN,FR		1	
12053A	12053-0162	GUIDE-CHAIN,RR		1	
12053B	12053-0163	GUIDE-CHAIN,UPP		1	
13107	13107-0157	SHAFT,CHAIN GUIDE		1	
13107A	13107-1376	SHAFT		1	
49118	49118-0144	CAMSHAFT-COMP,EXHAUST		1	
49118A	49118-0782	CAMSHAFT-COMP,INTAKE		1	
92055	92055-086	RING-O,18.8X1.9		1	
92057	92057-0202	CHAIN,98XRH2015-126M		1	
92071	92071-056	GROMMET		1	
92151	92151-1829	BOLT, SOCKET,6X10		4	
92151A	92151-1930	BOLT,FLANGED-SMALL,6X25		2	
92152	92152-1167	COLLAR		1	
132	132BA0630	BOLT-FLANGED-SMALL,6X30		1	
670	670D1509	O RING,9MM		1	
670A	670D2014	O RING,14MM		1	

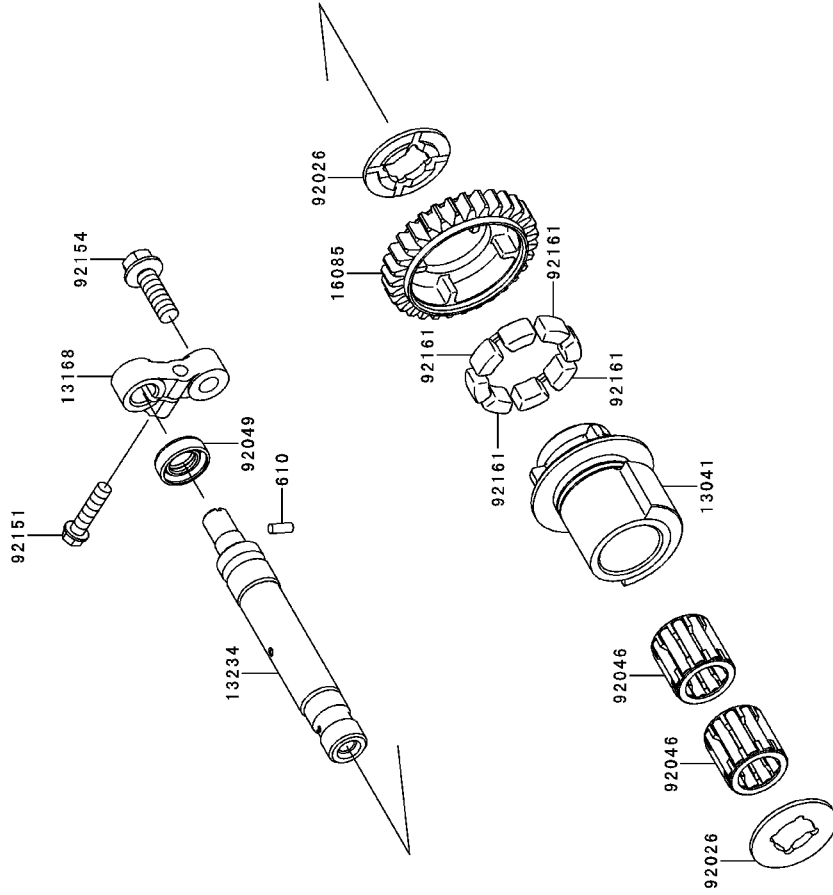
This catalog covers:

'14 ZX1000MEF Engine

GRID NO. This grid covers:

B-11 Balancer

E1323



Ref. No.	Part No.	Description	Spec Code	Quantity-ZX1000	
				'14	MEF
13041	13041-0040	BALANCER			1
13168	13168-0115	LEVER			1
13234	13234-0038	SHAFT-COMP			1
16085	16085-0134	GEAR,BALANCER,31T			1
92026	92026-0082	SPACER			2
92046	92046-1266	BEARING-NEEDLE			2
92049	92049-2204	SEAL-OIL,TC 12X22X7			1
92151	92151-1930	BOLT,FLANGED-SMALL,6X25			1
92154	92154-0413	BOLT,FLANGED,8X25			1
92161	92161-1055	DAMPER			4
610	610A0410	ROLLER,4X10			1

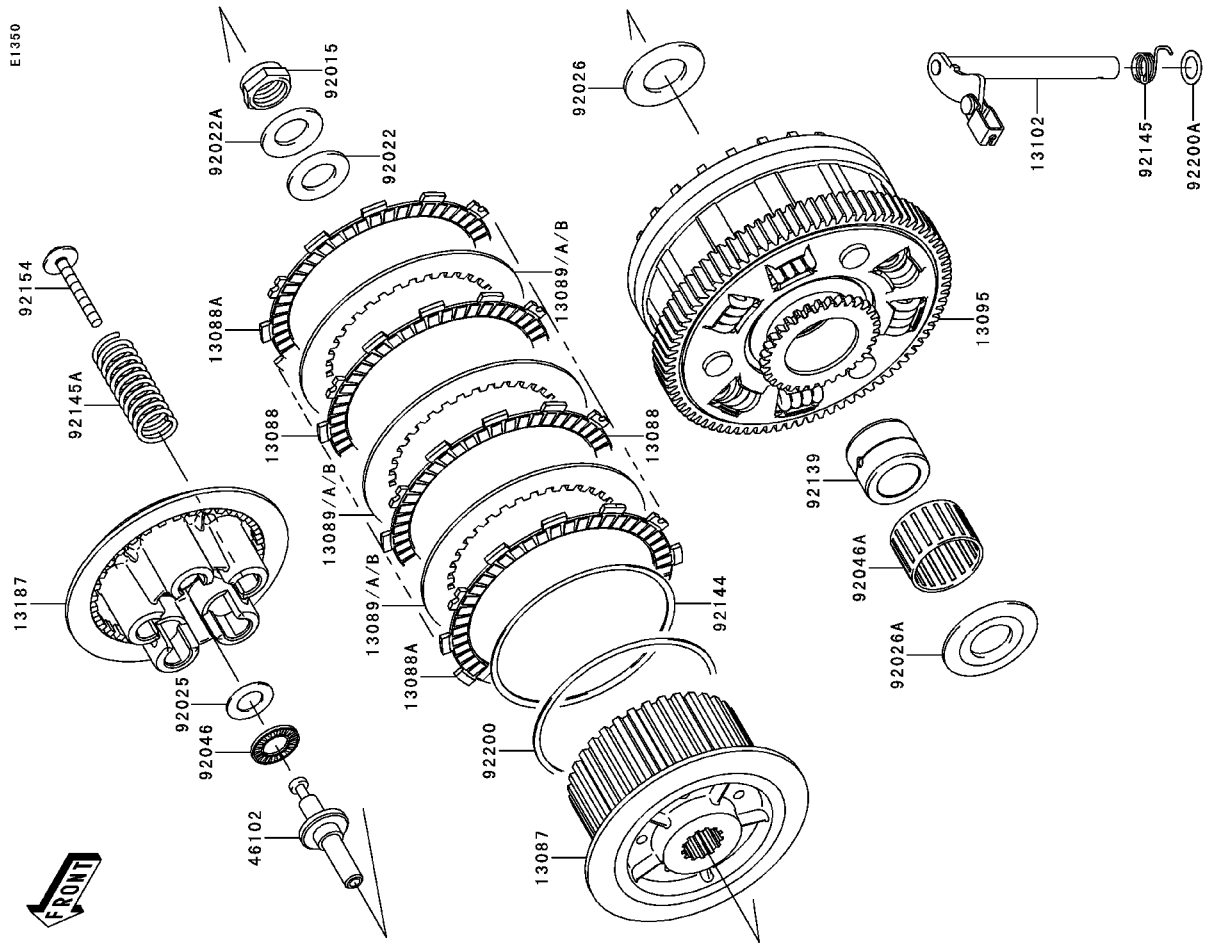
This catalog covers:

'14 ZX100MEF Engine

GRID NO. This grid covers:

B-12 Clutch

Ref. No.	Part No.	Description	Spec Code	Quantity-ZX1000	
				'14	MEF
13087	13087-0051	HUB-CLUTCH		1	
13088	13088-0049	PLATE-FRICTION		8	
13088A	13088-0052	PLATE-FRICTION		2	
13089	13089-0008	PLATE-CLUTCH,T=2.3	AR		
13089A	13089-0009	PLATE-CLUTCH,T=2.6		9	
13089B	13089-1093	PLATE-CLUTCH,T=2.9	AR		
13095	13095-0572	HOUSING-COMP-CLUTCH		1	
13102	13102-0038	RELEASE-COMP-CLUTCH		1	
13187	13187-0019	PLATE-CLUTCH OPERATING		1	
46102	46102-0083	ROD		1	
92015	92015-1555	NUT,20MM		1	
92022	92022-1116	WASHER,20.3X36X2.3		1	
92022A	92022-1868	WASHER,20.3X36X3.7		1	
92025	92025-1137	SHIM,15.3X27.5X1.20		1	
92026	92026-022	SPACER,25.5X47X2.5		1	
92026A	92026-1497	SPACER		1	
92046	92046-1052	BEARING-NEEDLE,AXK1102		1	
92046A	92046-1263	BEARING-NEEDLE,K38X43X28.8X		1	
92139	92139-0067	BUSHING,25X38X29.05		1	
92144	92144-1854	SPRING, FRICTION PLATE		1	
92145	92145-0325	SPRING, RELEASE-COMP		1	
92145A	92145-0736	SPRING		5	
92154	92154-0352	BOLT, CLUTCH OPERATING		5	
92200	92200-1260	WASHER, FRICTION PLATE		1	
92200A	92200-1487	WASHER, 12X18.5X0.5		1	



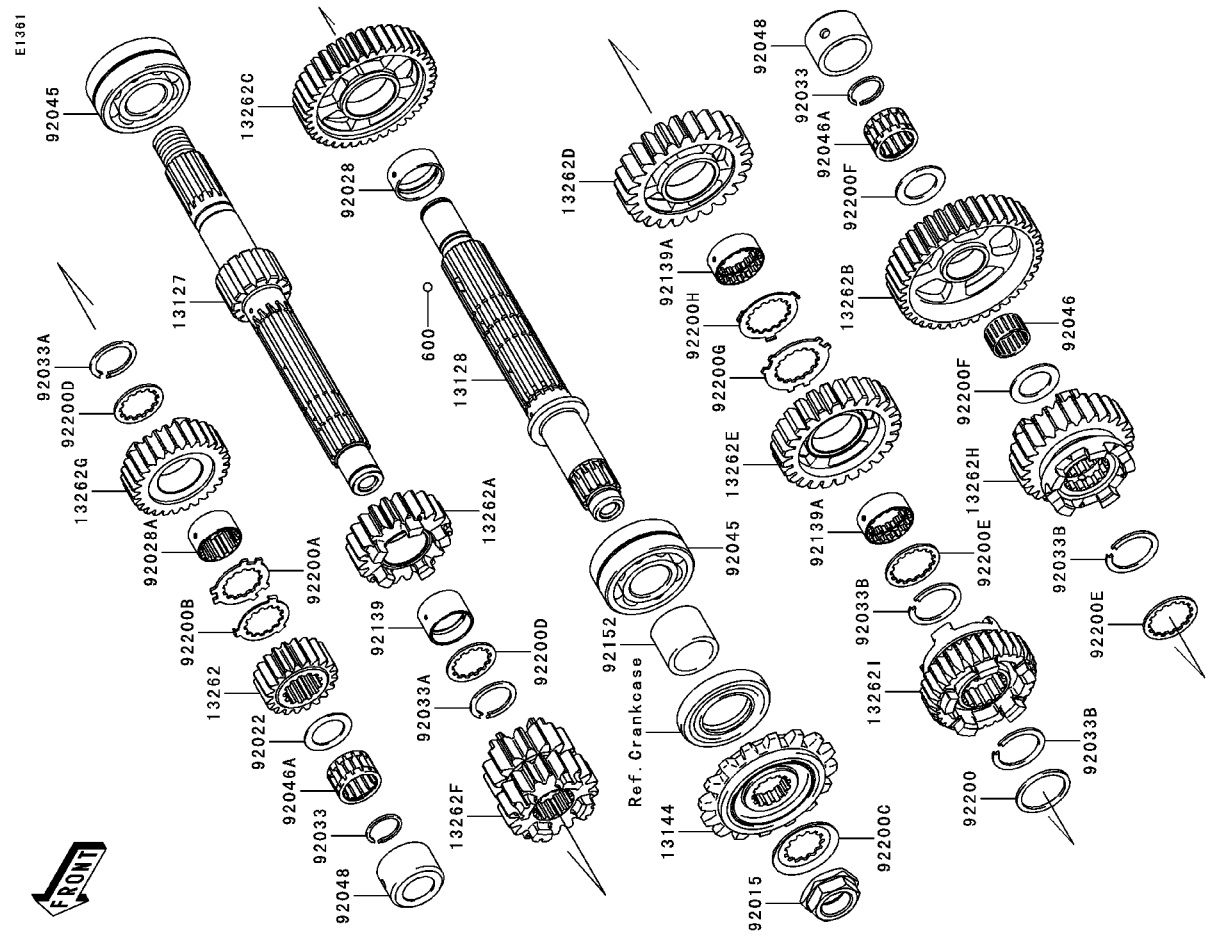
This catalog covers:

'14 ZX100MEF Engine

GRID NO. This grid covers:

B-13 Transmission

Ref. No.	Part No.	Description	Spec Code	Quantity-ZX1000	
				'14	MEF
13127	13127-0073	SHAFT-TRANSMISSION INPUT		1	
13128	13128-0054	SHAFT-TRANSMISSION OUTPUT		1	
13144	13144-0070	SPROCKET-OUTPUT,15T		1	
13262	13262-0753	GEAR,INPUT 2ND,20T		1	
13262A	13262-0755	GEAR,INPUT 5TH,21T		1	
13262B	13262-0757	GEAR,OUTPUT LOW,39T		1	
13262C	13262-0778	GEAR,OUTPUT 2ND,39T		1	
13262D	13262-0779	GEAR,OUTPUT 3RD,24T		1	
13262E	13262-0780	GEAR,OUTPUT 4TH,25T		1	
13262F	13262-0991	GEAR,INPUT 3RD&4TH,15T&18T		1	
13262G	13262-0993	GEAR,INPUT TOP,28T		1	
13262H	13262-0994	GEAR,OUTPUT 5TH,26T		1	
13262I	13262-1109	GEAR,OUTPUT TOP,31T		1	
92015	92015-1963	NUT,20MM		1	
92022	92022-112	WASHER,20.5X30X1,STEEL		1	
92028	92028-1739	BUSHING,OUTPUT,2ND		1	
92028A	92028-1915	BUSHING,INPUT TOP GEAR		1	
92033	92033-015	RING-SNAP,20MM		2	
92033A	92033-026	RING-SNAP,24MM		2	
92033B	92033-1249	RING-SNAP,T=1.5		3	
92045	92045-0003	BEARING-BALL,DAC2557NSSH		2	
92046	92046-1219	BEARING-NEEDLE,K20X24X13		1	
92046A	92046-1303	BEARING-NEEDLE,PK20X27X17X3		2	
92048	92048-0016	RACE		2	
92139	92139-0280	BUSHING,25X28X17.8		1	
92139A	92139-0281	BUSHING,OUTPUT,3RD&4TH		2	
92152	92152-0812	COLLAR,SPOCKET		1	
92200	92200-0228	WASHER,28.1X34.0X1.6		1	
92200A	92200-0520	WASHER,25.2X34.2X1.5		1	
92200B	92200-0521	WASHER,25.2X32X1		1	
92200C	92200-1065	WASHER		1	
92200D	92200-1239	WASHER,25.2X31.0X1.5		2	
92200E	92200-1240	WASHER,28.5X34.0X1.5		2	
92200F	92200-1375	WASHER,20.5X31X1.5		2	
92200G	92200-1522	WASHER,25.8X40.5X1.5		1	
92200H	92200-1523	WASHER,25.2X37.0X1.0		1	
600	600A0500	BALL-STEEL,5/32		3	



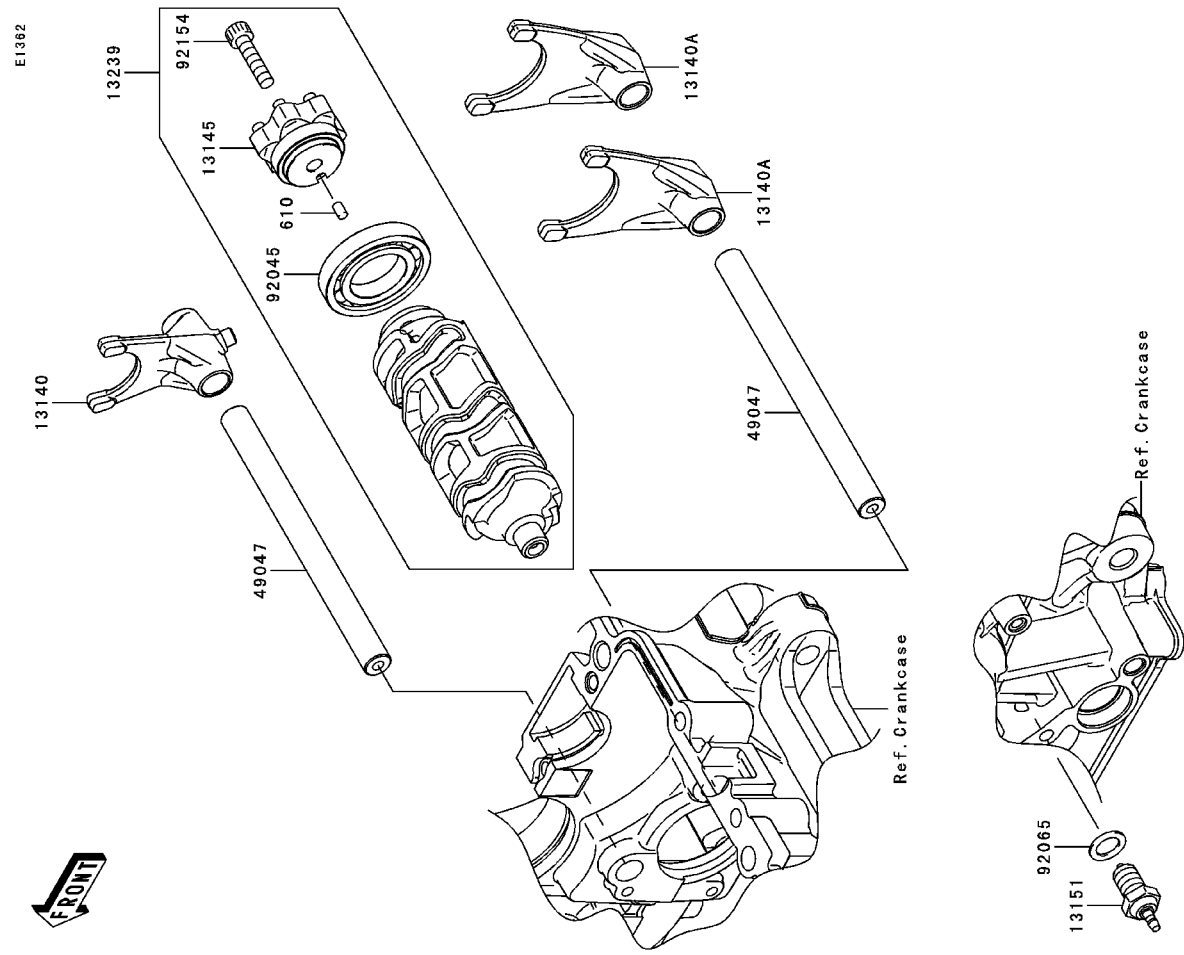
This catalog covers:

'14 ZX1000MEF Engine

GRID NO. This grid covers:

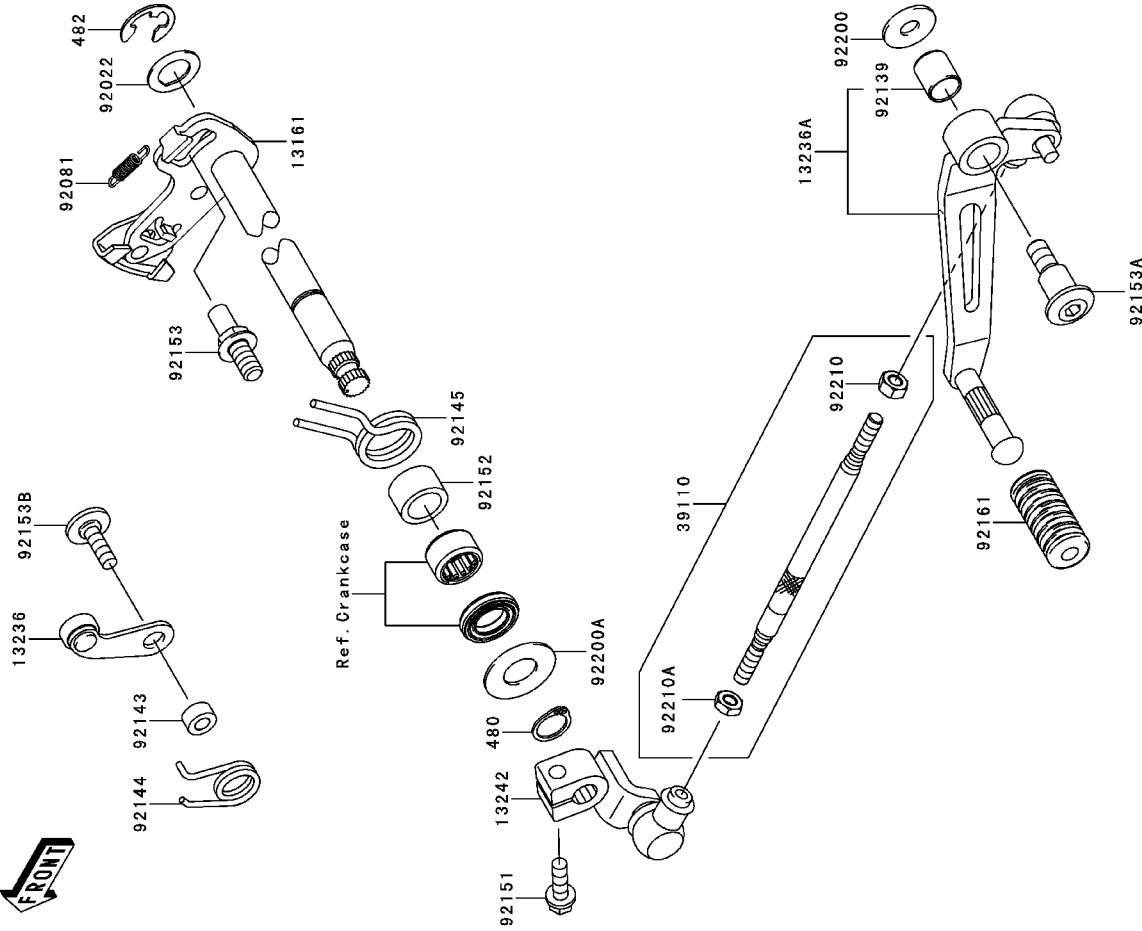
B-14 Gear Change Drum/Shift Fork(s)

Ref. No.	Part No.	Description	Spec Code	Quantity-ZX1000	
				'14	MEF
13140	13140-0061	FORK-SHIFT		1	
13140A	13140-0062	FORK-SHIFT		2	
13145	13145-0048	CAM-CHANGE DRUM		1	
13151	13151-1085	SWITCH-COMP		1	
13239	13239-0034	DRUM-ASSY-CHANGE		1	
49047	49047-0023	ROD-SHIFT		2	
92045	92045-1045	BEARING-BALL,16005		1	
92065	92065-058	GASKET,10.5X16X1		1	
92154	92154-0477	BOLT,SOCKET,6X25		1	
610	610A0406	ROLLER,4X6		1	



This catalog covers:

'14 ZX1000MEF Engine



GRID NO. This grid covers:

C-3 Gear Change Mechanism

Ref. No.	Part No.	Description	Spec Code	Quantity-ZX1000	
				'14	MEF
13161	13161-0557	LEVER-COMP-CHANGE SHAFT		1	
13236	13236-0068	LEVER-COMP		1	
13236A	13236-0730	LEVER-COMP,CHANGE PEDAL		1	
13242	13242-0059	LEVER-ASSY-CHANGE		1	
39110	39110-0033	ROD-ASSY-TIE		1	
92022	92022-1628	WASHER,CHANGE SHAFT		1	
92081	92081-1708	SPRING,PAWL RETURN		1	
92139	92139-0023	BUSHING		1	
92143	92143-1595	COLLAR		1	
92144	92144-1523	SPRING,GEAR POSITION		1	
92145	92145-1122	SPRING		1	
92151	92151-1226	BOLT,FLANGED,6X20		1	
92152	92152-1383	COLLAR,14.2X19.9X12.0		1	
92153	92153-0421	BOLT,RETURN SPRING		1	
92153A	92153-0446	BOLT,SOCKET,8X16.7		1	
92153B	92153-1505	BOLT,6X20		1	
92161	92161-1300	DAMPER,CHANGE PEDAL		1	
92200	92200-0174	WASHER,8.0X22.0X1.5		1	
92200A	92200-0265	WASHER		1	
92210	92210-1100	NUT,6MM		1	
92210A	92210-1101	NUT,LEFT HANDED,6MM		1	
480	480J1400	CIRCLIP-TYPE-C,14MM		1	
482	482J0200	CIRCLIP-TYPE-E,12MM		1	

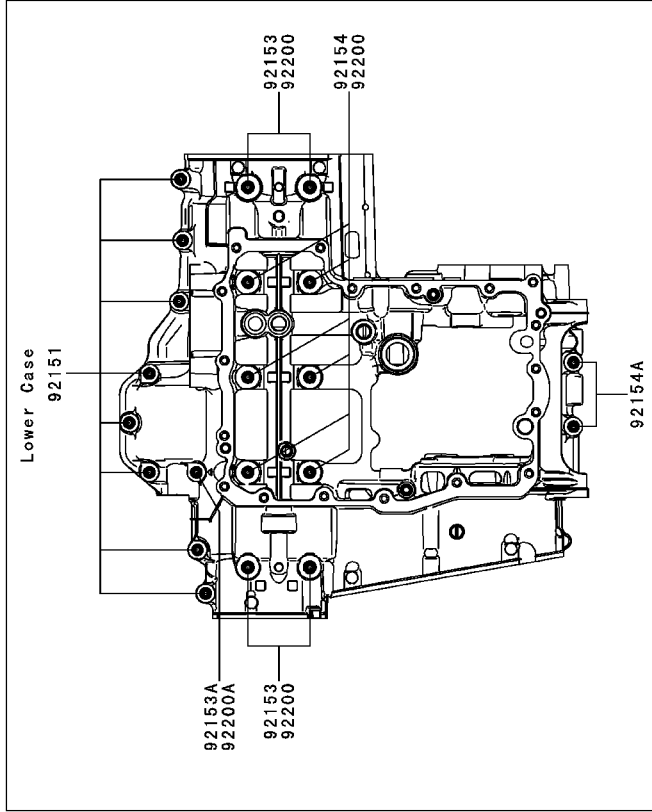
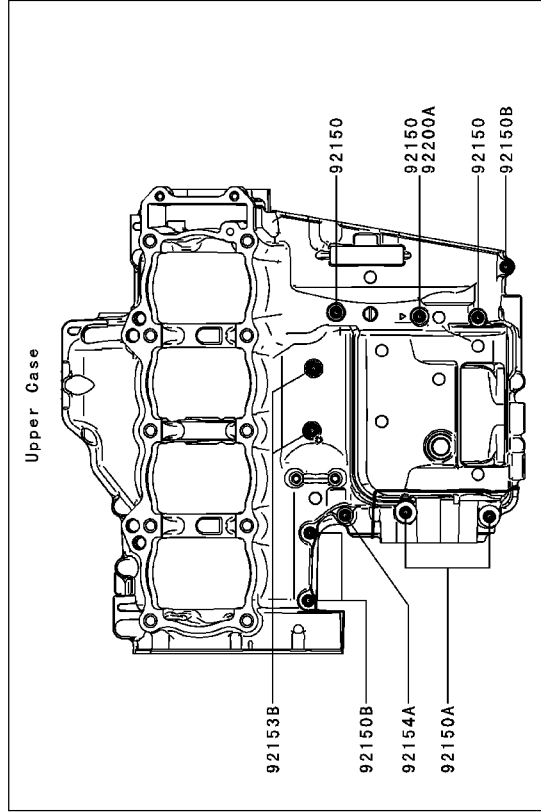
This catalog covers:

'14 ZX100MEF Engine

GRID NO. This grid covers:

C-5 Crankcase Bolt Pattern

E1412



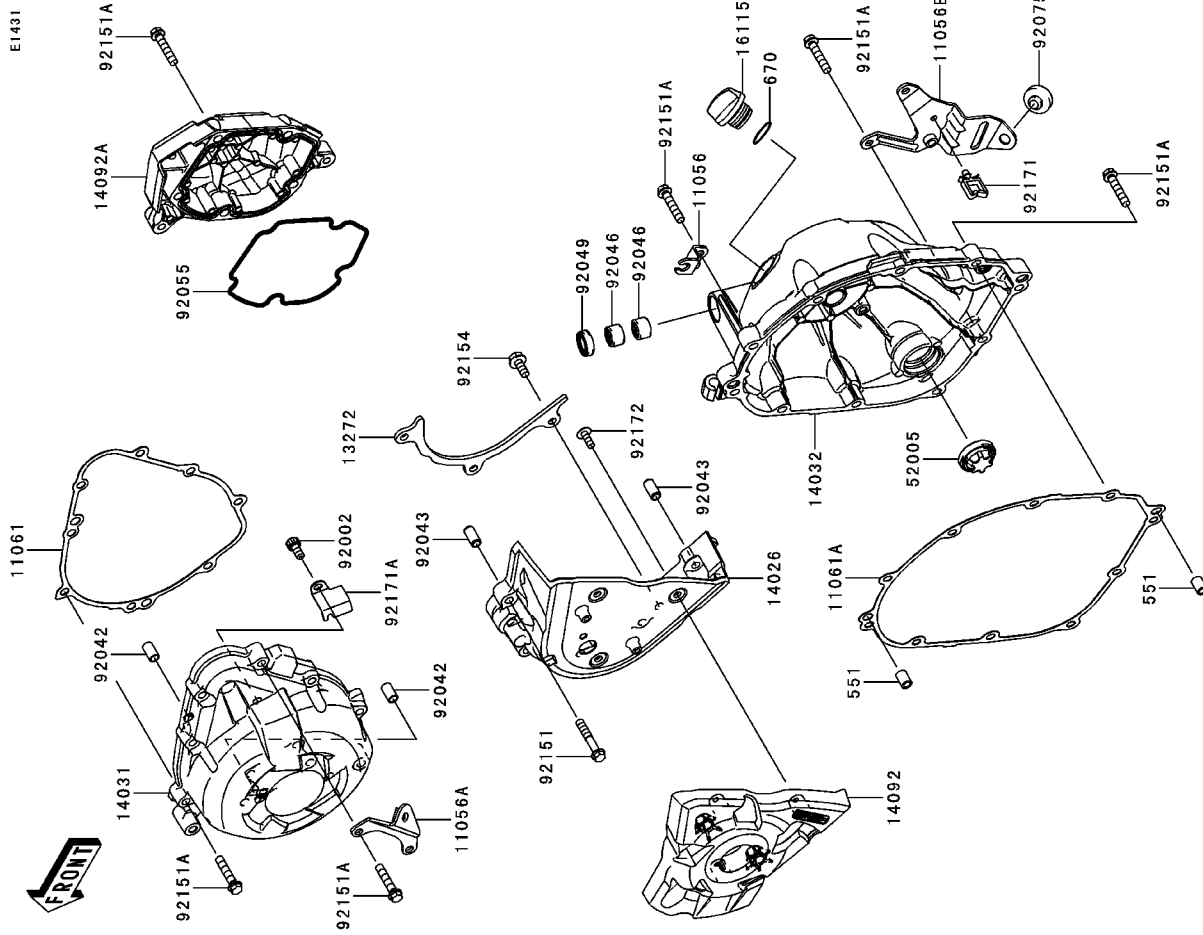
Ref. No.	Part No.	Description	Spec Code	Quantity-ZX1000	
				'14	MEF
92150	92150-1251	BOLT, FLANGED, 7X85		3	
92150A	92150-1483	BOLT, 8X70		2	
92150B	92150-1794	BOLT, 6X40		3	
92151	92151-1539	BOLT, FLANGED, 7X45		8	
92153	92153-0447	BOLT, FLANGED, 9X100		4	
92153A	92153-1045	BOLT, FLANGED, 7X60		1	
92153B	92153-1637	BOLT, FLANGED, 6X68		2	
92154	92154-0248	BOLT, FLANGED, 9X90		6	
92154A	92154-0372	BOLT, FLANGED, 7X50		3	
92200	92200-0115	WASHER, 9.2X19X2.3		10	
92200A	92200-0556	WASHER		2	

This catalog covers:

'14 ZX100MEF Engine

GRID NO. This grid covers:

C-6 Engine Cover(s)



Ref. No.	Part No.	Description	Spec Code	Quantity-ZX1000	
				'14	MEF
11056	11056-0787	BRACKET		1	
11056A	11056-0788	BRACKET		1	
11056B	11056-1091	BRACKET		1	
11061	11061-0403	GASKET,GENERATOR COVER		1	
11061A	11061-0404	GASKET,CLUTCH COVER		1	
13272	13272-0859	PLATE		1	
14026	14026-0093	COVER-CHAIN		1	
14031	14031-0131	COVER-GENERATOR		1	
14032	14032-0589	COVER-CLUTCH		1	
14092	14092-0032	COVER,OUTER		1	
14092A	14092-0175	COVER PULSER		1	
16115	16115-1053	CAP-OIL FILLER		1	
52005	52005-1120	GAUGE		1	
92002	92002-1796	BOLT,SOCKET,6X12		1	
92042	92042-007	PIN,DOWEL,6.3X8X14		2	
92043	92043-1263	PIN,6.2X8X14		2	
92046	92046-0034	BEARING-NEEDLE,HK1210FM		2	
92049	92049-1475	SEAL-OIL,CLUTCH RELEASE		1	
92055	92055-0199	RING-O,PULSER COVER		1	
92075	92075-005	DAMPER		1	
92151	92151-1135	BOLT,6X35		4	
92151A	92151-1873	BOLT,6X30		23	
92154	92154-0482	BOLT,FLANGED,6X14		3	
92171	92171-0290	CLAMP		1	
92171A	92171-0708	CLAMP		1	
92172	92172-0265	SCREW,TAPPING,5X14		3	
551	551A0814	PIN-DOWEL,8X14		2	
670	670B2020	O RING,20MM		1	

This catalog covers:

'14 ZX1000MEF Engine

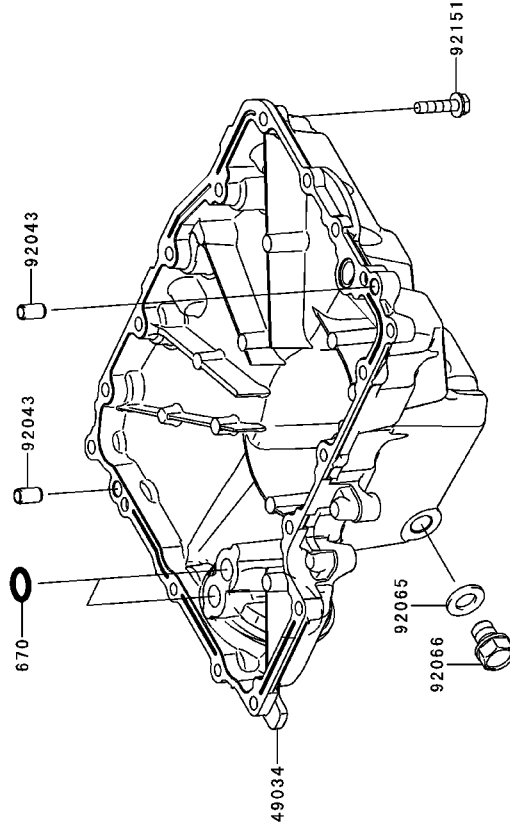
GRID NO. This grid covers:

C-7 Oil Pan

E1434



Ref. No.	Part No.	Description	Spec Code	Quantity-ZX1000	
				'14	MEF
49034	49034-0048	PAN-OIL		1	
92043	92043-1263	PIN,6.2X8X14		2	
92065	92065-097	GASKET,12X22X2		1	
92066	92066-1174	PLUG,OIL DRAIN,12X15		1	
92151	92151-1225	BOLT,FLANGED,6X25		18	
670	670D2014	O RING,14MM		2	

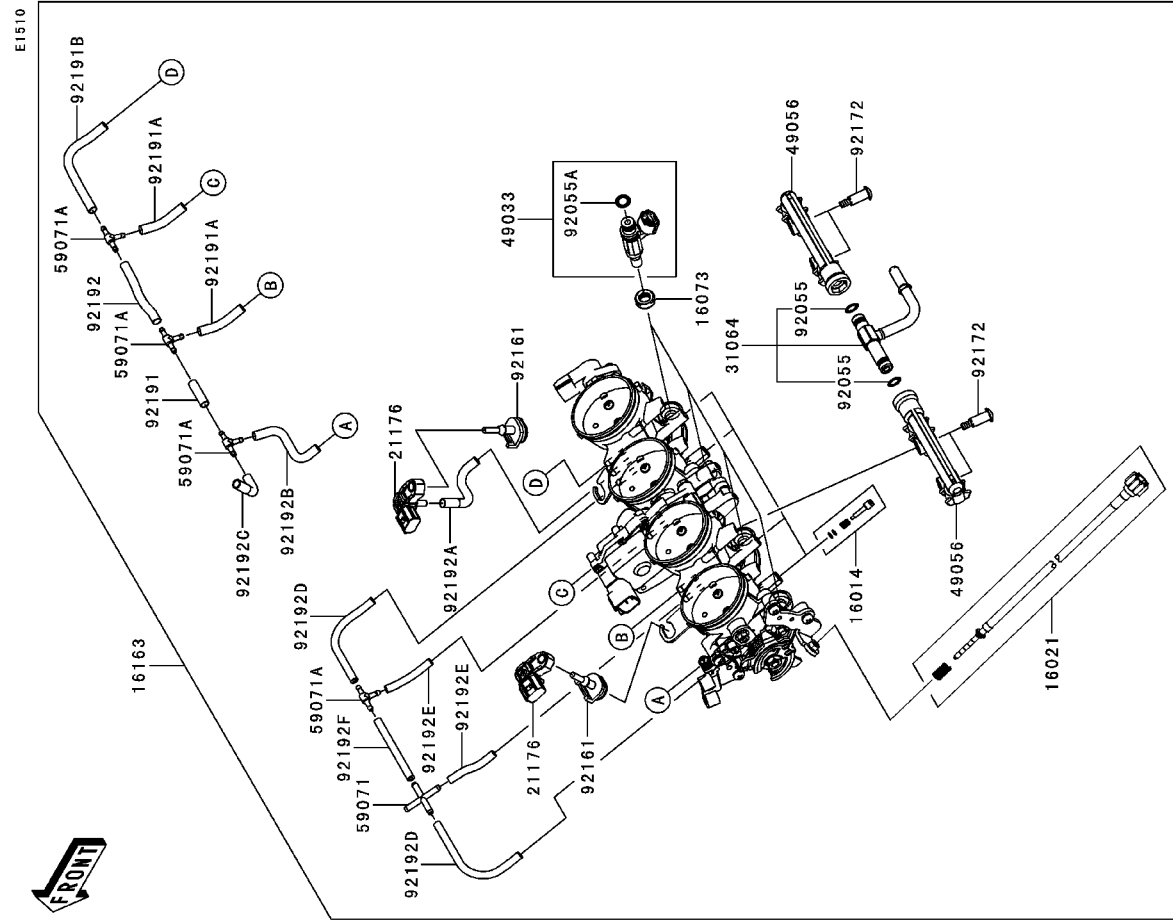


This catalog covers:

'14 ZX100MEF Engine

GRID NO. This grid covers:

C-8 Throttle



Ref. No.	Part No.	Description	Spec Code	Quantity-ZX1000	
				'14	MEF
16014	16014-0002	SCREW-PILOT AIR		4	
16021	16021-0026	SCREW-THROTTLE STOP		1	
16073	16073-3707	INSULATOR		4	
16163	16163-0806	THROTTLE-ASSY,TTK38		1	
21176	21176-0111	SENSOR,PRESSURE		2	
31064	31064-0199	PIPE-COMP,FUEL		1	
49033	49033-0012	NOZZLE-INJECTION		4	
49056	49056-0014	PIPE-INJECTION		2	
59071	59071-0014	JOINT,4WAY		1	
59071A	59071-3752	JOINT,3WAY,T		4	
92055	92055-0064	RING-O		2	
92055A	92055-1622	RING-O,INJECTION NOZZLE		4	
92161	92161-0673	DAMPER		2	
92172	92172-0064	SCREW,PIPE INJECTION		4	
92191	92191-0020	TUBE,3X7X25		1	
92191A	92191-0022	TUBE,3X7X40		2	
92191B	92191-0023	TUBE,3X7X100		1	
92192	92192-0739	TUBE,3X7X72		1	
92192A	92192-0840	TUBE,THROBO RH-SENSOR		1	
92192B	92192-0841	TUBE,THROBO LH-JOINT		1	
92192C	92192-0842	TUBE,SENSOR-JOINT		1	
92192D	92192-1258	TUBE,3X6X100		2	
92192E	92192-1259	TUBE,3X6X40		2	
92192F	92192-1260	TUBE,3X6X70		1	

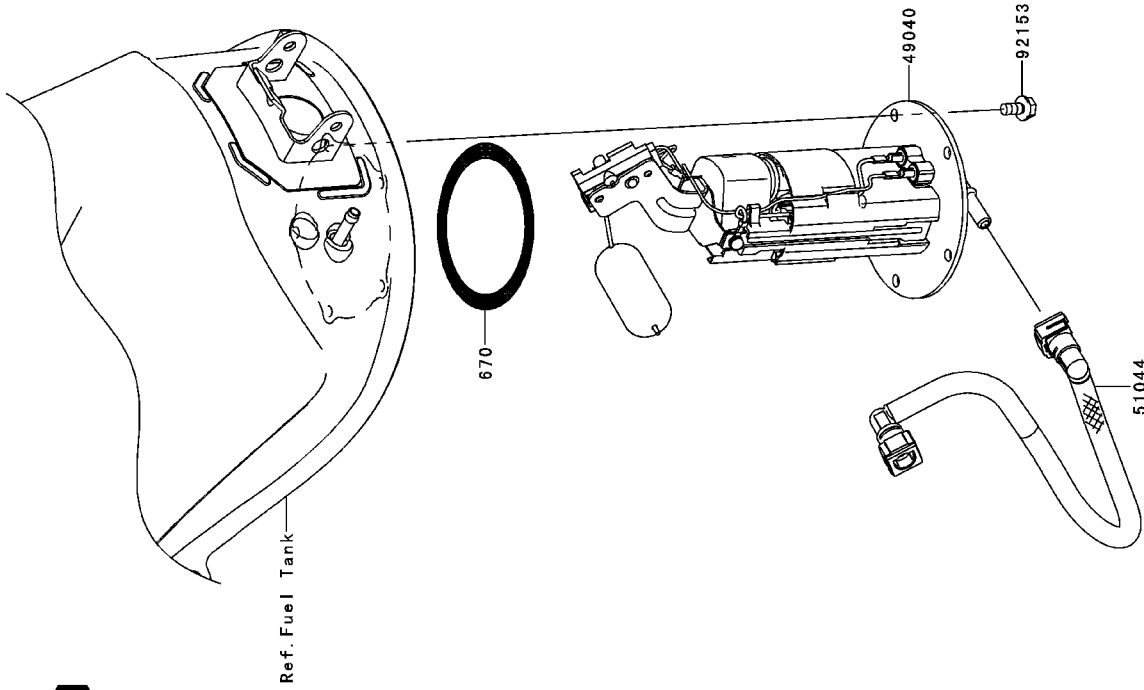
This catalog covers:

'14 ZX1000MEF Engine

GRID NO. This grid covers:

C-9 Fuel Pump

E1520



Ref. No.	Part No.	Description	Spec Code	Quantity-ZX1000	
				'14	MEF
49040	49040-0727	PUMP-FUEL		1	
51044	51044-0088	TUBE-ASSY,FUEL		1	
92153	92153-1295	BOLT,FLANGED,6X12		5	
670	670E5075	O RING		1	

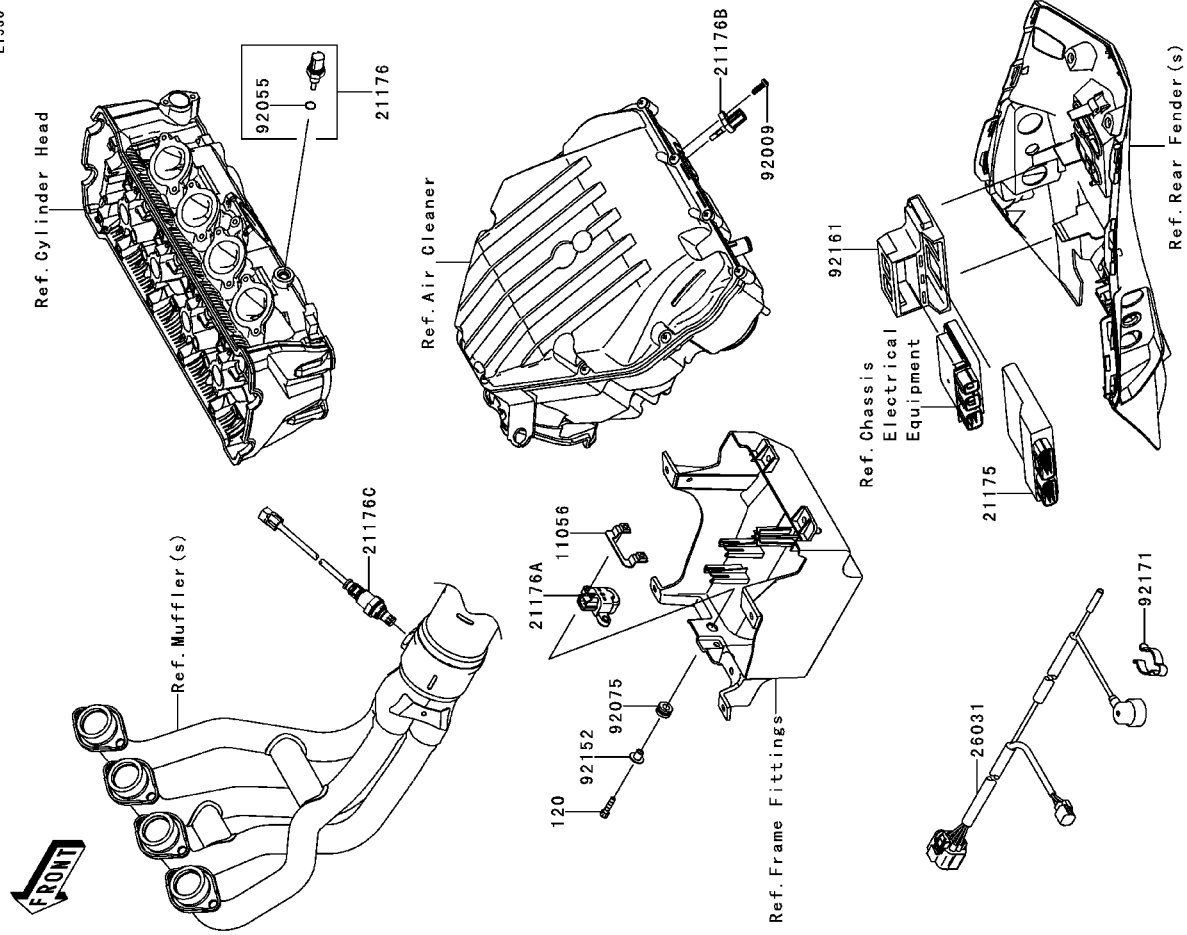
This catalog covers:

'14 ZX100MEF Engine

GRID NO. This grid covers:

C-10 Fuel Injection

E1530



Ref. No.	Part No.	Description	Spec Code	Quantity-ZX1000	
				'14	MEF
11056	11056-0124	BRACKET			1
21175	21175-0859	CONTROL UNIT-ELECTRONIC			1
21176	21176-0009	SENSOR,WATER TEMP			1
21176A	21176-0026	SENSOR,VEHICLE-DOWN			1
21176B	21176-0048	SENSOR,AIR TEMPERATURE			1
21176C	21176-0132	SENSOR,OXYGEN			1
26031	26031-1674	HARNES, SUB			1
92009	92009-1984	SCREW,TAPPING,5X16			1
92055	92055-0016	RING-O,9,5X1,9			1
92075	92075-1912	DAMPER			2
92152	92152-0134	COLLAR			2
92161	92161-0356	DAMPER			1
92171	92171-1283	CLAMP,CABLE			1
120	120CA0525	BOLT-SOCKET,5X25			2

This catalog covers:

'14 ZX100MEF Engine

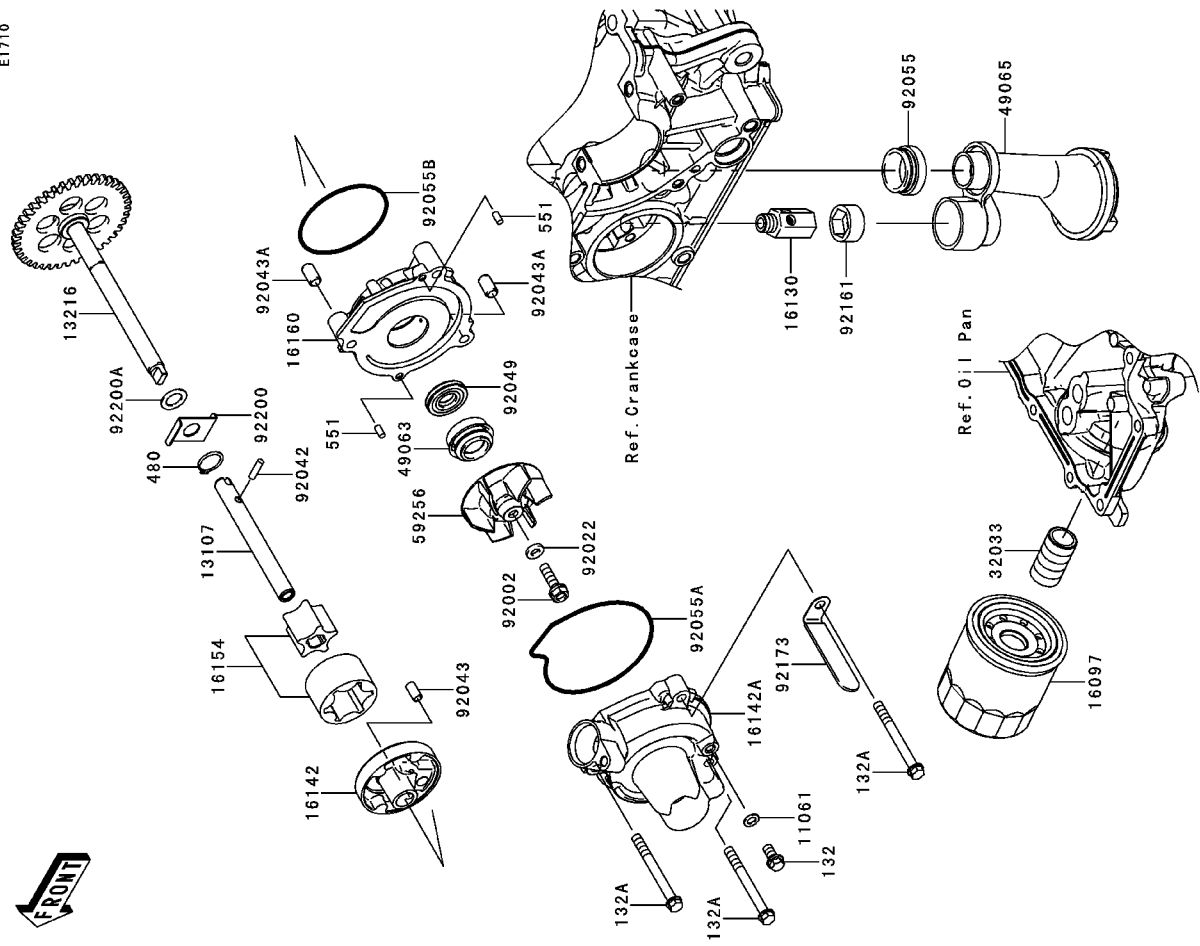


E1710

GRID NO. This grid covers:

C-12 Oil Pump

Ref. No.	Part No.	Description	Spec Code	Quantity-ZX1000	
				'14	MEF
11061	11061-0107	GASKET			1
13107	13107-0214	SHAFT			1
13216	13216-0020	GEAR-COMP,OIL PUMP,41T			1
16097	16097-0008	FILTER-ASSY-OIL			1
16130	16130-1058	VALVE-ASSY-RELIEF			1
16142	16142-0064	COVER-PUMP			1
16142A	16142-0703	COVER-PUMP			1
16154	16154-0057	ROTOR-PUMP			1
16160	16160-0702	BODY			1
32033	32033-1535	PIPE,OIL FILTER			1
49063	49063-1055	SEAL-MECHANICAL,WATER			1
49065	49065-0026	FILTER-OIL			1
59256	59256-0555	IMPELLER			1
92002	92002-1154	BOLT,6X22			1
92022	92022-077	WASHER,6.1X12X1			1
92042	92042-030	PIN,DOWEL,4X13.8			1
92043	92043-1262	PIN,4.2X6X12			1
92043A	92043-1263	PIN,6.2X8X14			2
92049	92049-1336	SEAL-OIL,SC 11 28.55 5			1
92055	92055-1503	RING-O,OIL FILTER			1
92055A	92055-1571	RING-O,WATER PUMP COVER			1
92055B	92055-3018	RING-O,59.6X2.4			1
92161	92161-0070	DAMPER			1
92173	92173-1201	CLAMP			1
92200	92200-0410	WASHER			1
92200A	92200-1009	WASHER			1
132	132BA0612	BOLT-FLANGED-SMALL,6X12			1
132A	132BC0660	BOLT-FLANGED-SMALL,6X60			3
480	480J1100	CIRCLIP-TYPE-C,11MM			1
551	551A0408	PIN-DOWEL,4X8			2



This catalog covers:

'14 ZX100MEF Engine

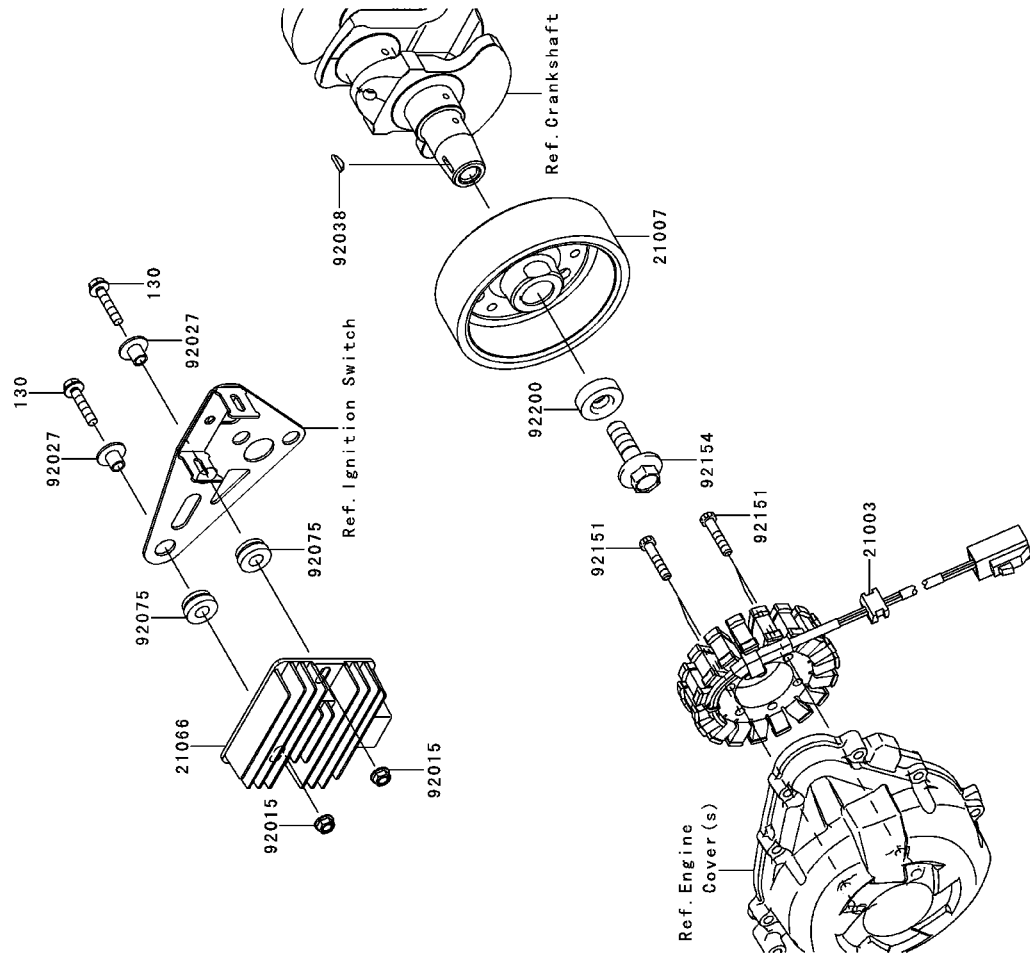


GRID NO. This grid covers:

C-13 Generator

E1810

Ref. No.	Part No.	Description	Spec Code	Quantity-ZX1000	
				'14	MEF
21003	21003-0122	STATOR			1
21007	21007-0135	ROTOR			1
21066	21066-0720	REGULATOR-VOLTAGE			1
92015	92015-1233	NUT, FLANGED, 6MM, BLACK			2
92027	92027-1651	COLLAR, FLANGED, L=12.1, BLACK			2
92038	92038-1060	KEY			1
92075	92075-277	DAMPER			2
92151	92151-1626	BOLT, 6X30			4
92154	92154-0347	BOLT, FLANGED, 12X40			1
92200	92200-0369	WASHER, 12X34X9			1
130	130BA0630	BOLT-FLANGED, 6X30			2



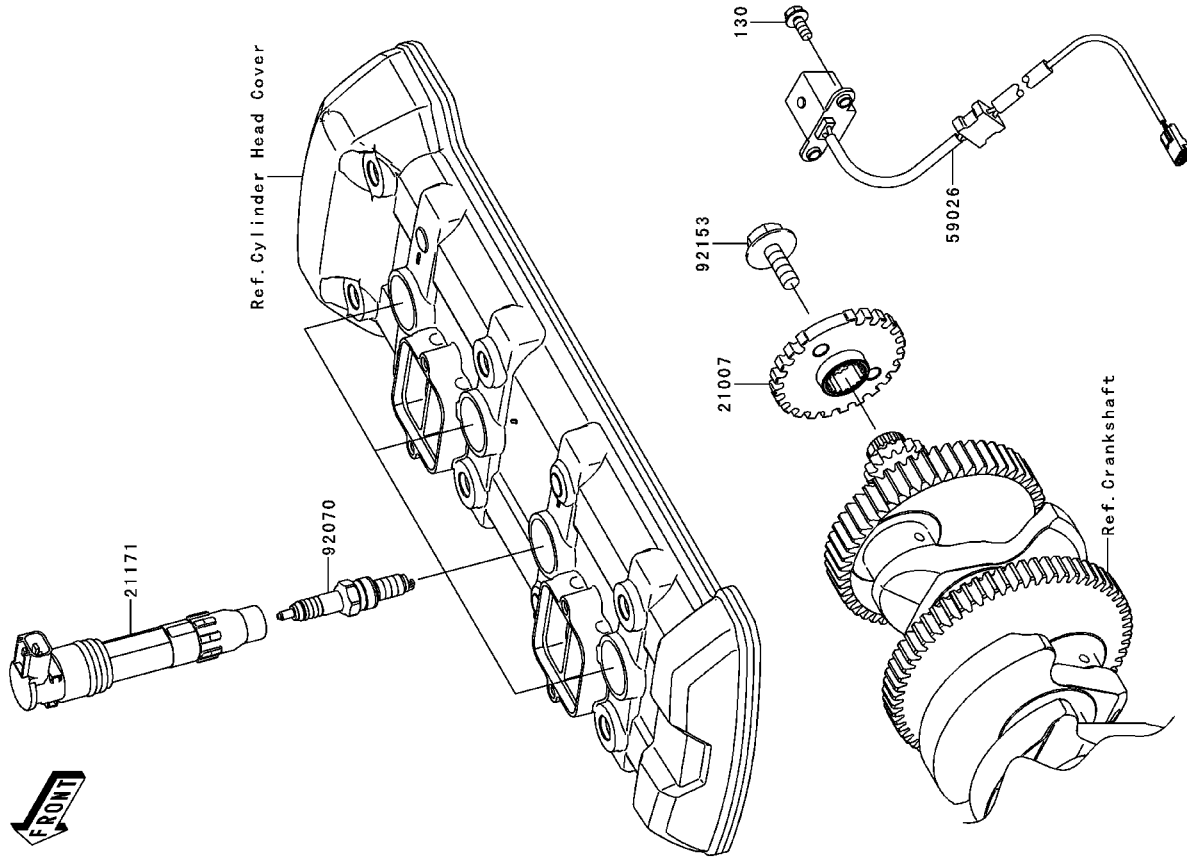
This catalog covers:

'14 ZX1000MEF Engine

GRID NO. This grid covers:

C-14 Ignition System

E1830



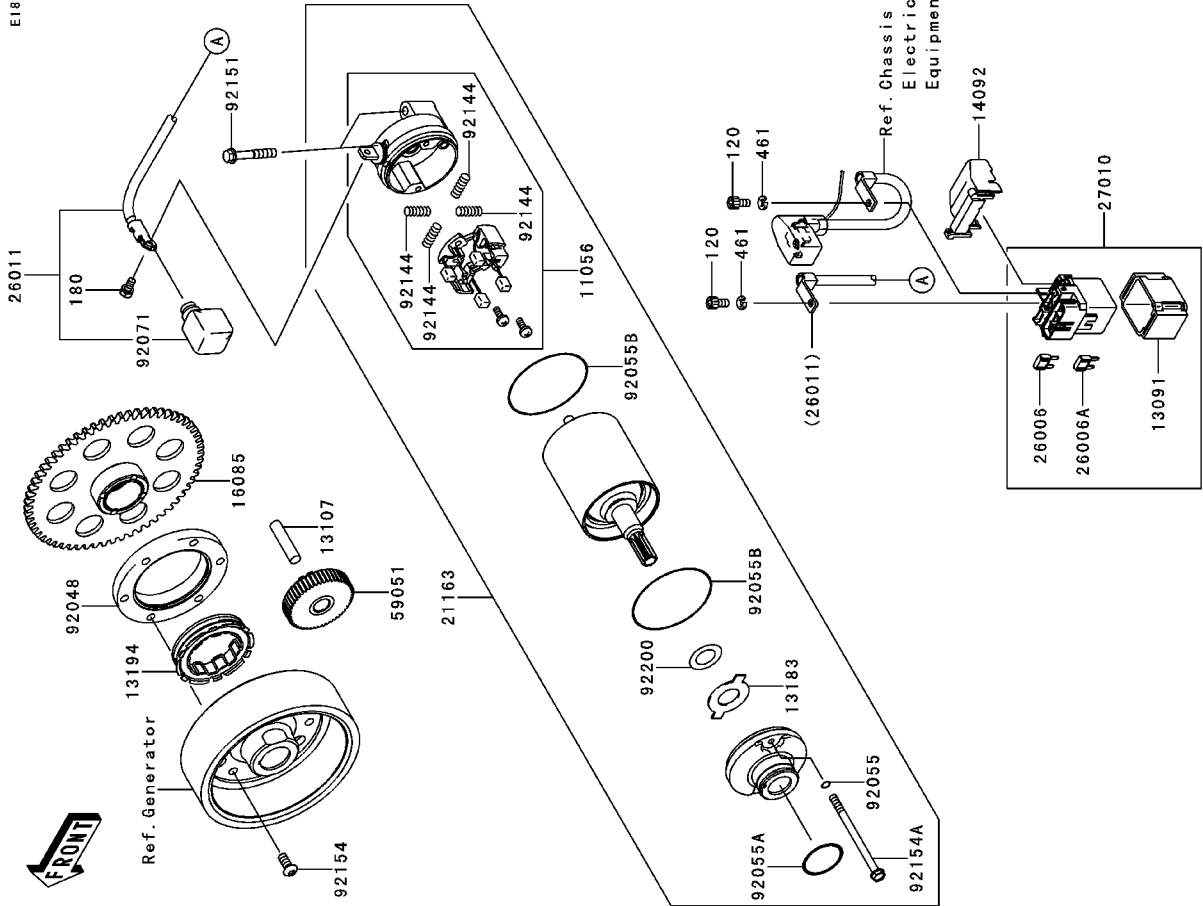
Ref. No.	Part No.	Description	Spec Code	Quantity-ZX1000	
				'14	MEF
21007	21007-0579	ROTOR			1
21171	21171-0033	COIL-ASSY-IGNITION			4
59026	59026-0034	COIL-PULSING			1
92070	92070-0014	PLUG-SPARK,CR9E1A(NGK)			4
92153	92153-0549	BOLT,FLANGED,8X23			1
130	130BA0512	BOLT-FLANGED,5X12			2

This catalog covers:

'14 ZX100MEF Engine



E1840



GRID NO. This grid covers:

D-3 Starter Motor

Ref. No.	Part No.	Description	Spec Code	Quantity-ZX1000	
				'14	MEF
11056	11056-2770	BRACKET		1	
13091	13091-1884	HOLDER,MAGNETIC SWITCH		1	
13107	13107-1377	SHAFT,IDLER GEAR		1	
13183	13183-1460	PLATE		1	
13194	13194-1096	CLUTCH-ONEWAY		1	
14092	14092-0109	COVER		1	
16085	16085-0609	GEAR,CLUTCH ONEWAY		1	
21163	21163-0735	STARTER-ELECTRIC		1	
26006	26006-0001	FUSE,MINI BLADE,15A,BLUE		1	
26006A	26006-1080	FUSE,MINI BLADE,30A,GREEN		1	
26011	26011-0820	WIRE-LEAD		1	
27010	27010-0113	SWITCH		1	
59051	59051-0741	GEAR-SPUR,IDLER		1	
92048	92048-0018	RACE		1	
92055	92055-0013	RING-O,STARTER		2	
92055A	92055-1262	RING-O,24.4X3.1		1	
92055B	92055-1455	RING-O		2	
92071	92071-0031	GROMMET		1	
92144	92144-1423	SPRING,BRUSH		4	
92151	92151-1624	BOLT,6X35		2	
92154	92154-1225	BOLT,TORX,6X14		6	
92154A	92154-1284	BOLT,FLANGED		2	
92200	92200-1019	WASHER		1	
120	120CB0510	BOLT-SOCKET,5X10		2	
180	180BA0510	BOLT-UPSET-WS,5X10		1	
461	461DB0500	WASHER-SPRING,5MM,BLACK		2	

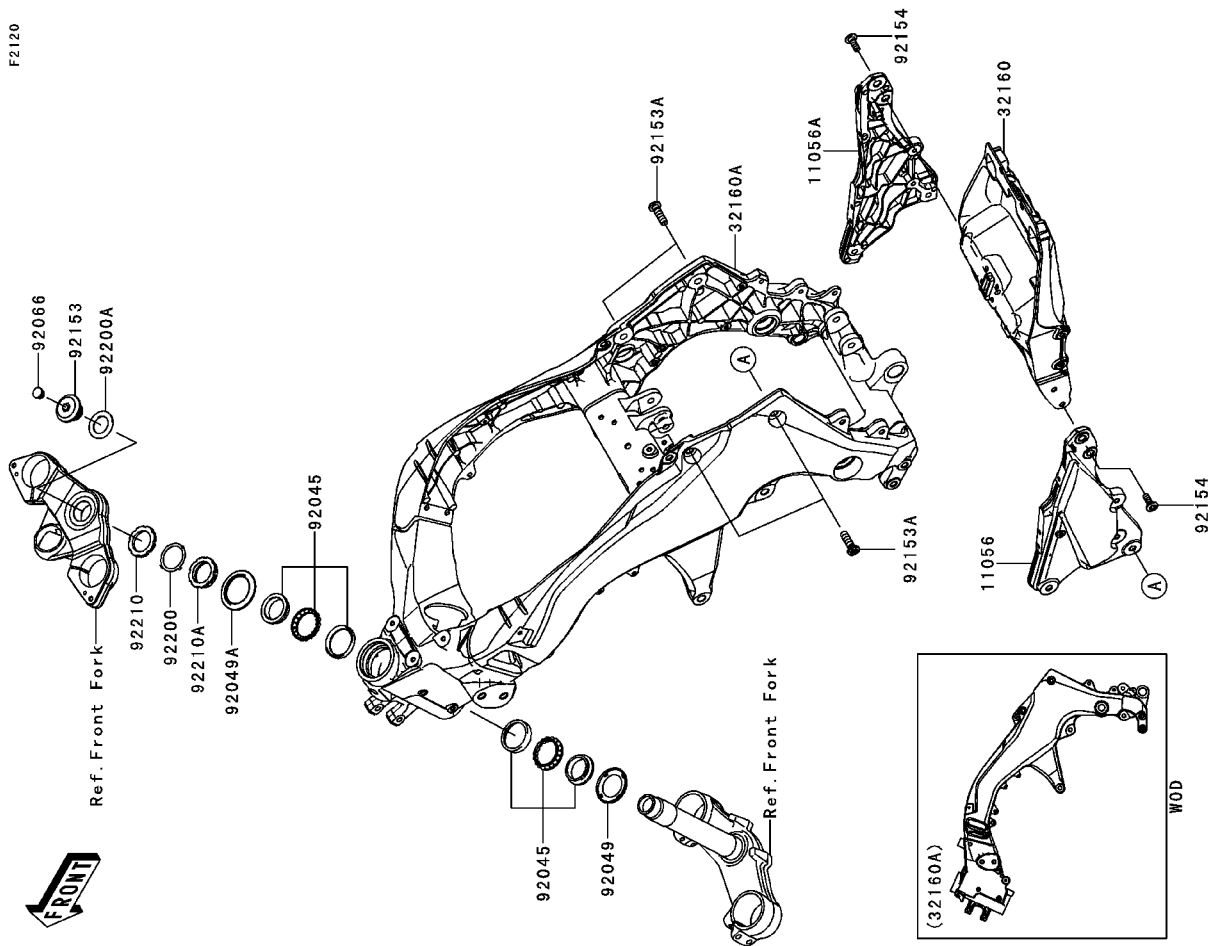
This catalog covers:

'14 ZX100MEF Chassis



F2120

Ref. No.	Part No.	Description	Spec Code	Quantity-ZX1000	
				'14	MEF
11056	11056-2432-18R	BRACKET,RR,LH,F.S.BLACK		1	
11056A	11056-2433-18R	BRACKET,RR,RH,F.S.BLACK		1	
32160	32160-0689	FRAME-COMP,RR		1	
32160A	32160-0690-18R	FRAME-COMP,MAIN,F.S.BLACK		1	
92045	92045-1384	BEARING-BALL,SF07A17PX1V1		2	
92049	92049-0022	SEAL-OIL,DS35X55X4		1	
92049A	92049-0742	SEAL-OIL,43X55.5X8.6		1	
92066	92066-0071	PLUG		1	
92153	92153-0474	BOLT,26MM		1	
92153A	92153-1442	BOLT, SOCKET,10X35		4	
92154	92154-0379	BOLT, SOCKET,8X23		4	
92200	92200-0036	WASHER		1	
92200A	92200-0081	WASHER,27X42X2.3		1	
92210	92210-0095	NUT,35MM		1	
92210A	92210-0823	NUT,35MM		1	



This catalog covers:

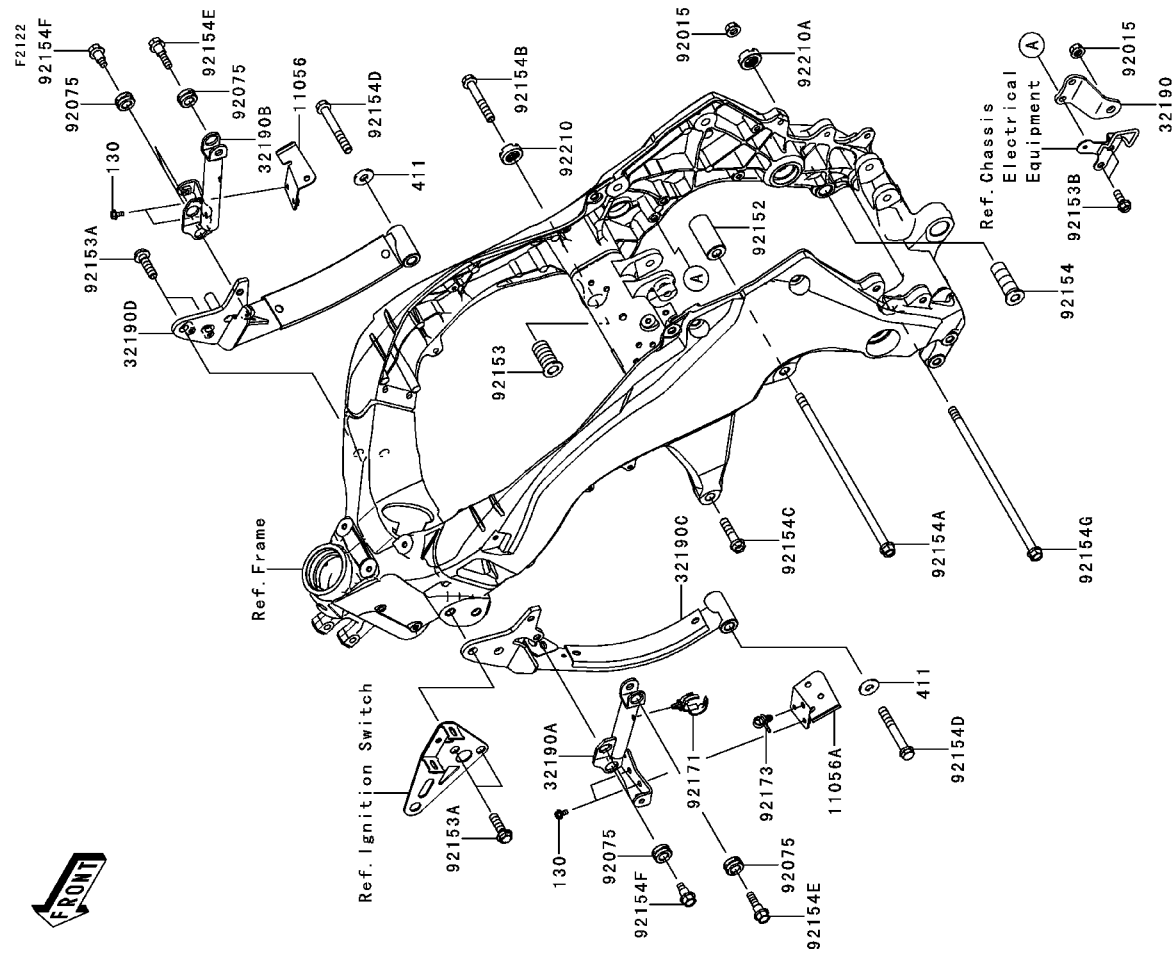
'14 ZX100MEF Chassis



GRID NO. This grid covers:

E-4 Engine Mount

Ref. No.	Part No.	Description	Spec Code	Quantity-ZX1000	
				'14	MEF
11056	11056-0551	BRACKET, HEAT SHIELD, RH		1	
11056A	11056-3781	BRACKET, HEAT SHIELD, LH		1	
32190	32190-0458-18R	BRACKET-ENGINE, CR CASE UPP, BLK		1	
32190A	32190-0582	BRACKET-ENGINE, LH		1	
32190B	32190-0583	BRACKET-ENGINE, RH		1	
32190C	32190-0648-18R	BRACKET-ENGINE, LH, F.S. BLACK		1	
32190D	32190-0649-18R	BRACKET-ENGINE, RH, F.S. BLACK		1	
92015	92015-1180	NUT, FLANGED, 10MM		2	
92075	92075-1898	DAMPER		6	
92152	92152-0853	COLLAR, 11X26X56.5		1	
92153	92153-0488	BOLT, SOCKET, 20X43		1	
92153A	92153-0802	BOLT, FLANGED, 10X35		4	
92153B	92153-1554	BOLT, FLANGED, 8X20		2	
92154	92154-0267	BOLT, ENGINE MOUNT, 18X53.5		1	
92154A	92154-0268	BOLT, FLANGED, 10X270		1	
92154B	92154-0312	BOLT, FLANGED, 10X65		1	
92154C	92154-0313	BOLT, FLANGED, 10X40		1	
92154D	92154-0449	BOLT, FLANGED, 10X75		2	
92154E	92154-0742	BOLT, FLANGED, 8X25		2	
92154F	92154-0749	BOLT, FLANGED, 8X20		4	
92154G	92154-0827	BOLT, FLANGED, 10X255		1	
92171	92171-0069	CLAMP, DIA=20		1	
92173	92173-0742	CLAMP		1	
92210	92210-0591	NUT, 20MM		1	
92210A	92210-1203	NUT, 18MM		1	
130	130BB0510	BOLT-FLANGED, 5X10		4	
411	411AB1000	WASHER-PLAIN, 10MM, BLACK		2	



This catalog covers:

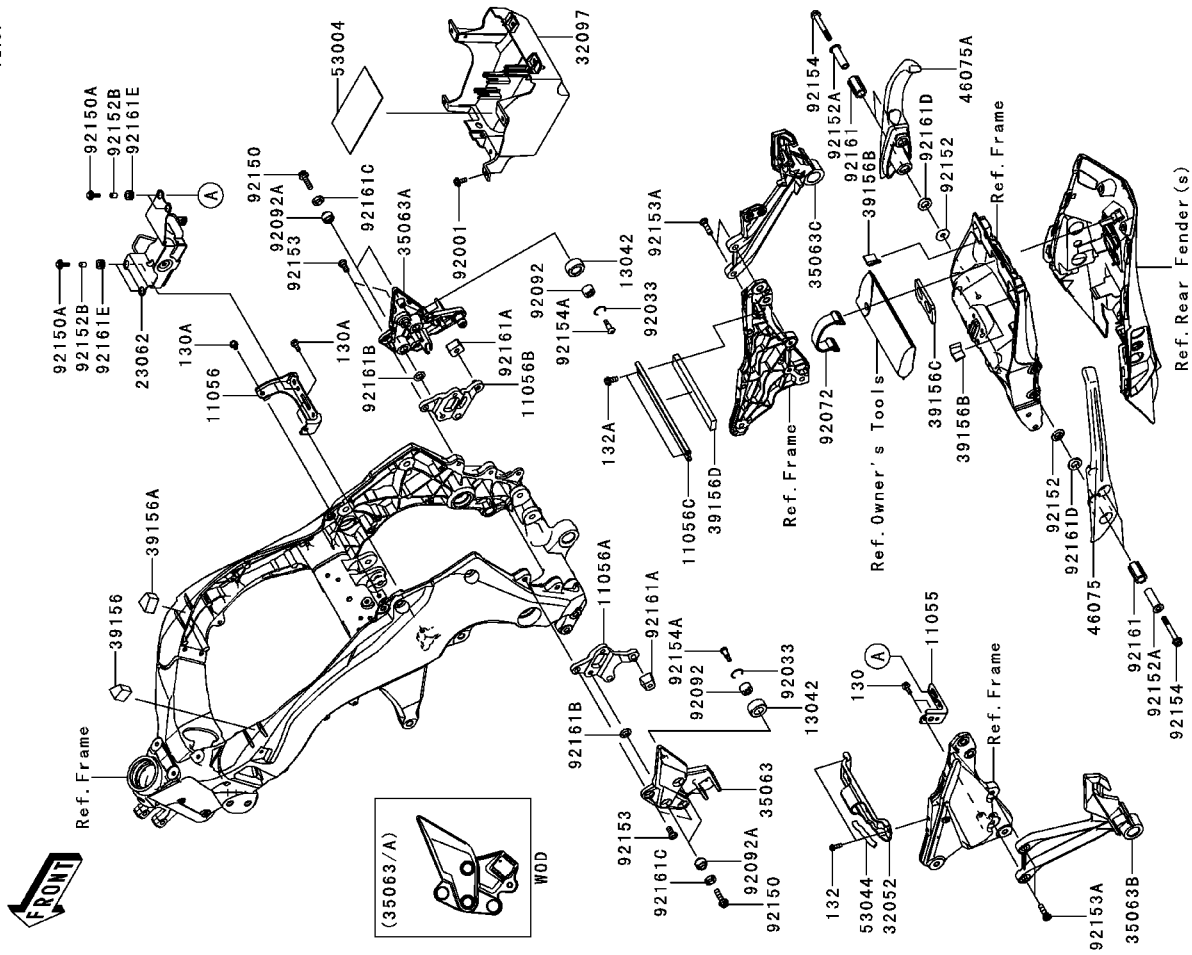
'14 ZX100MEF Chassis

GRID NO. This grid covers:

E-6 Frame Fittings(2/2)

Ref. No.	Part No.	Description	Spec Code	Quantity-ZX1000	
				'14	MEF
92161D	92161-0959	DAMPER,14.5X25X3.5		4	
92161E	92161-1584	DAMPER,8.2X16X8.3		4	
130	130BA0614	BOLT-FLANGED,6X14		2	
130A	130BA0616	BOLT-FLANGED,6X16		2	
132	132BA0616	BOLT-FLANGED-SMALL,6X16		2	
132A	132BA0816	BOLT-FLANGED-SMALL,8X16		2	

F2131



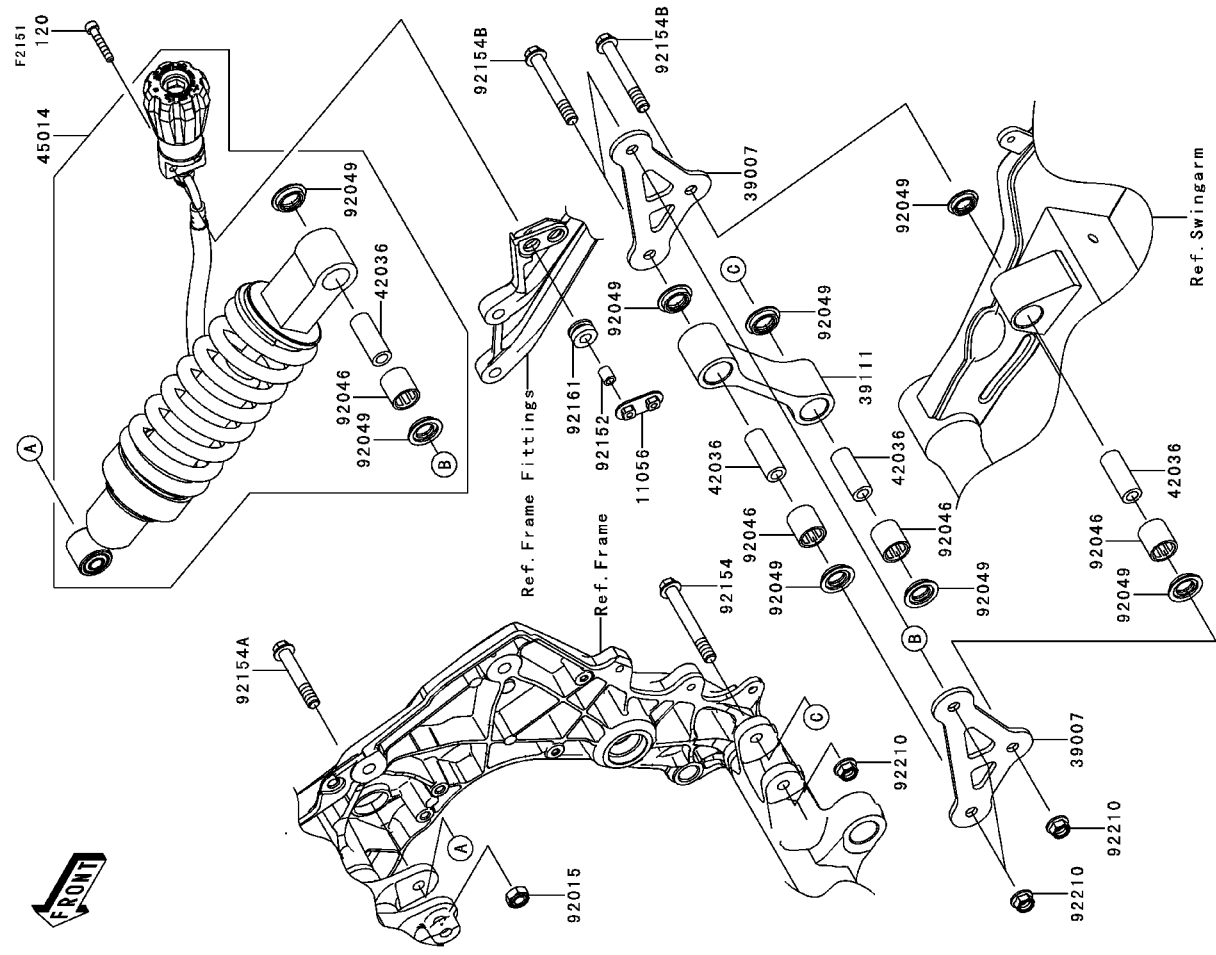
This catalog covers:

'14 ZX100MEF Chassis

GRID NO. This grid covers:

E-8 Suspension/Shock Absorber

Ref. No.	Part No.	Description	Spec Code	Quantity-ZX1000	
				'14	MEF
11056	11056-1914	BRACKET		1	
39007	39007-0156-458	ARM-SUSP,UNI TRAK,P.SILVER		2	
39111	39111-0069-18R	ROD-TIE,SUSPENSION,F.S.BLACK		1	
42036	42036-1342	SLEEVE,10.1X17X44.5		4	
45014	45014-0457-37R	SHOCKABSORBER,SPG SIL+BODY BLK		1	
92015	92015-1189	NUT,LOCK,10MM,BLACK		1	
92046	92046-1273	BEARING-NEEDLE,SFYZM172425		4	
92049	92049-1223	SEAL-OIL,MHA17245.7F		8	
92152	92152-1628	COLLAR,6.4X10X12		2	
92154	92154-0262	BOLT,FLANGED,10X77		1	
92154A	92154-0263	BOLT,FLANGED,10X60		1	
92154B	92154-0264	BOLT,FLANGED,10X67		3	
92161	92161-0036	DAMPER		2	
92210	92210-1139	NUT,LOCK,FLANGED,10MM		4	
120	120CA0635	BOLT-SOCKET,6X35		2	



This catalog covers:

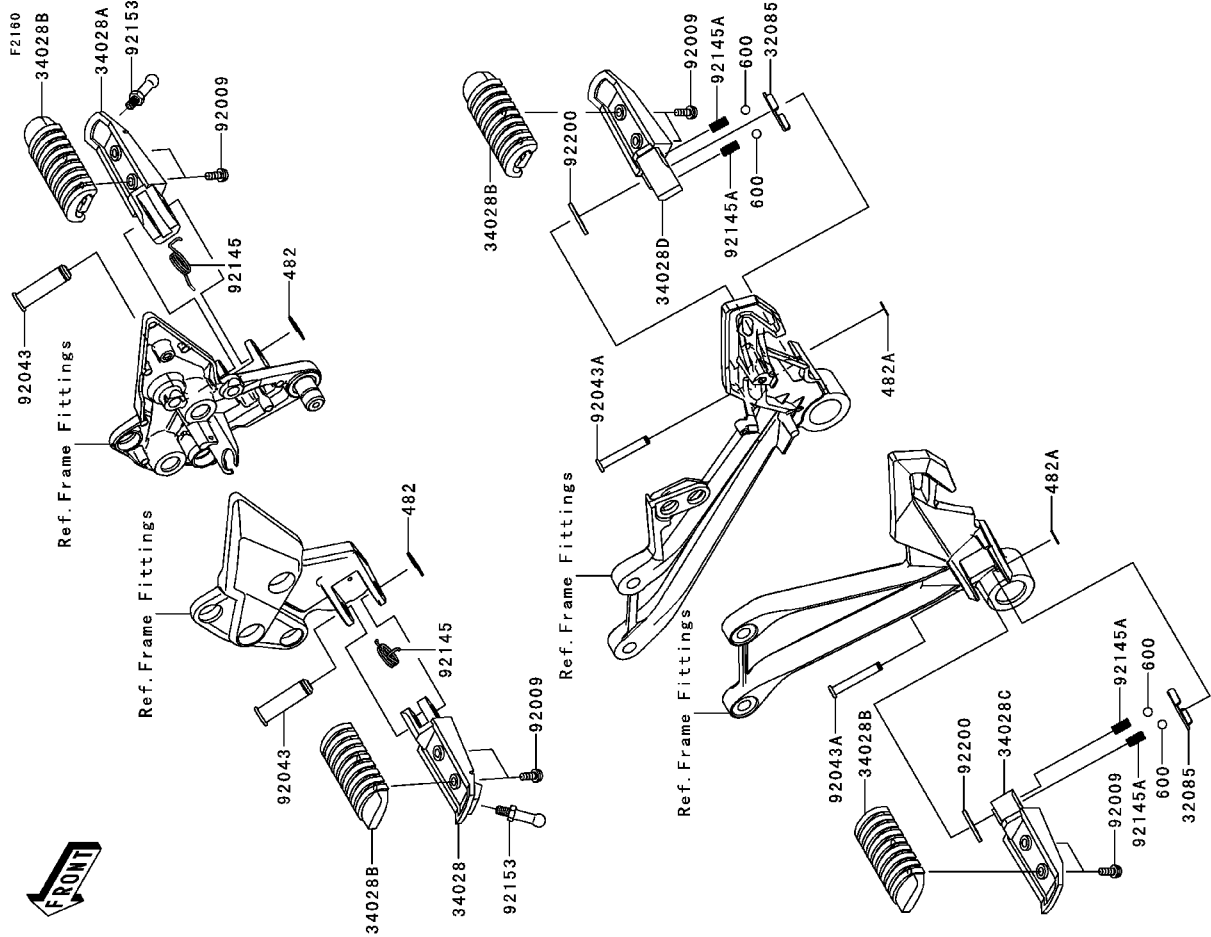
'14 ZX100MEF Chassis



GRID NO. This grid covers:

E-9 Footrests

Ref. No.	Part No.	Description	Spec Code	Quantity-ZX1000	
				'14	MEF
32085	32085-0047	STOPPER, REAR STEP		2	
34028	34028-0127	STEP, FR, LH		1	
34028A	34028-0128	STEP, FR, RH		1	
34028B	34028-0133	STEP, RUBBER		4	
34028C	34028-0314	STEP, RR, LH		1	
34028D	34028-0315	STEP, RR, RH		1	
92009	92009-1404	SCREW, 5X14		8	
92043	92043-1594	PIN, 12X42.5		2	
92043A	92043-1595	PIN, 6X40		2	
92145	92145-0360	SPRING, STEP RETURN		2	
92145A	92145-1319	SPRING		4	
92153	92153-1462	BOLT, BANK SENSOR		2	
92200	92200-0043	WASHER, 16X26X2.3		2	
482	482EA0100	CIRCLIP-TYPE-E, 10MM		2	
482A	482EA5000	CIRCLIP-TYPE-E		2	
600	600A0800	BALL-STEEL, 1/4		4	



This catalog covers:

'14 ZX100MEF Chassis

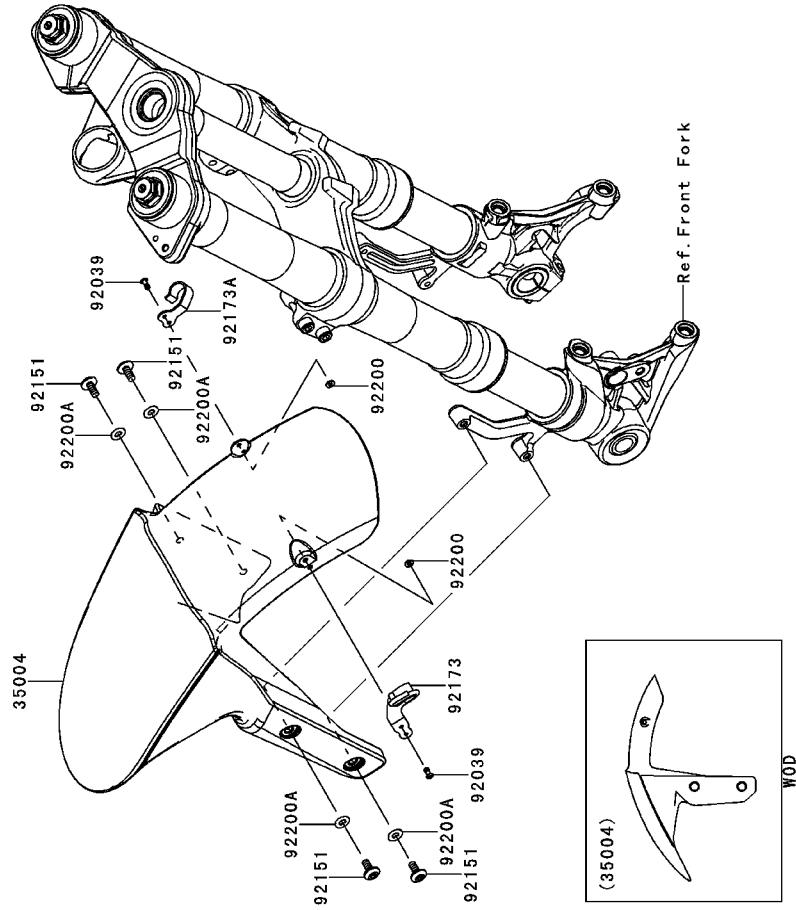


GRID NO. This grid covers:

E-10 Front Fender(s)

F2171

Ref. No.	Part No.	Description	Spec Code	Quantity-ZX1000	
				'14	MEF
35004	35004-0310-739	FENDER-FRONT,M,F.S.BLACK		1	
92039	92039-0705	RIVET		4	
92151	92151-1654	BOLT, SOCKET,6X14		4	
92173	92173-1096	CLAMP,LH		1	
92173A	92173-1097	CLAMP,RH		1	
92200	92200-1251	WASHER,3.5X8X1		4	
92200A	92200-1388	WASHER,6.5X14X1		4	



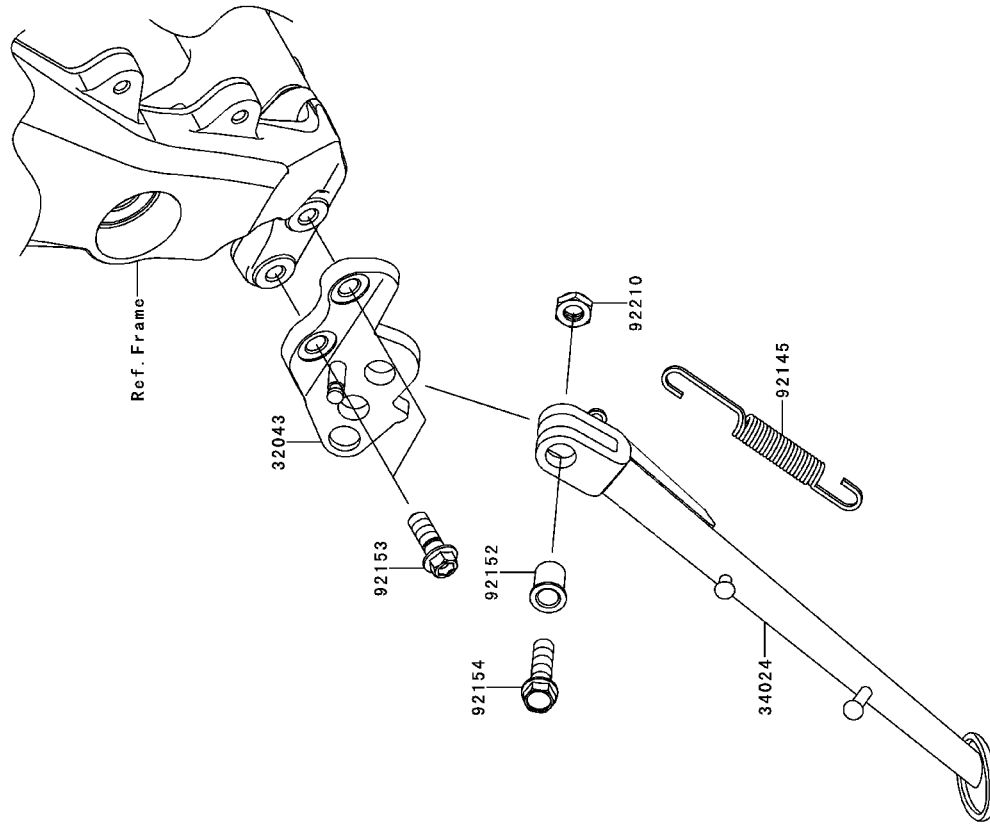
This catalog covers:

'14 ZX100MEF Chassis

GRID NO. This grid covers:

E-12 Stand(s)

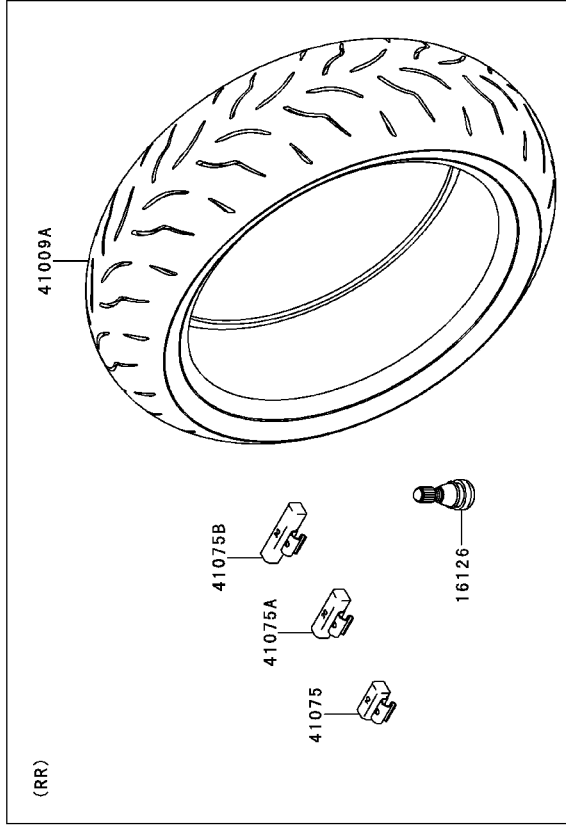
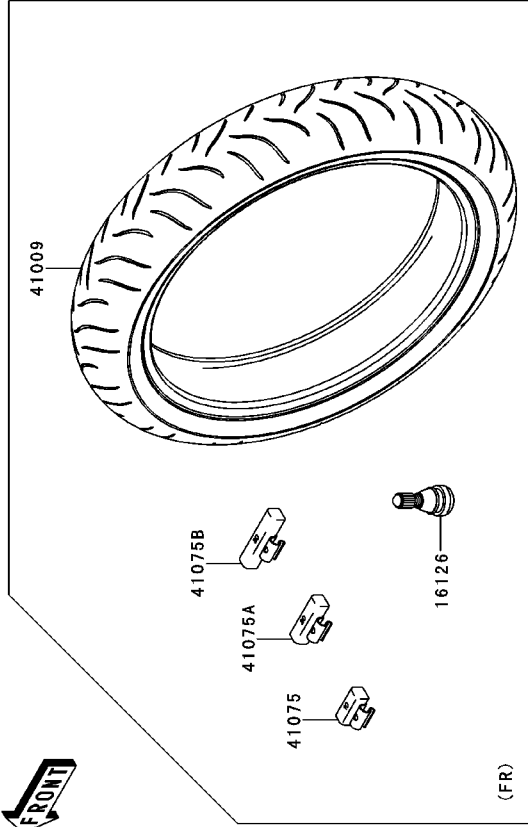
F2190



Ref. No.	Part No.	Description	Spec Code	Quantity-ZX1000	
				'14	MEF
32043	32043-0583-18R	BRACKET-STAND,F.S.BLACK			1
34024	34024-0123-18R	STAND-SIDE,F.S.BLACK			1
92145	92145-0562	SPRING,SIDE STAND			1
92152	92152-1828	COLLAR,10.2X15X20.1			1
92153	92153-1417	BOLT,FLANGED,10X28			2
92154	92154-1352	BOLT,FLANGED,10X37			1
92210	92210-0784	NUT,LOCK,10MM			1

This catalog covers:

'14 ZX1000MEF Chassis



GRID NO. This grid covers:

E-13 Tires

F2210

Ref. No.	Part No.	Description	Spec Code	Quantity-ZX1000	
				'14	MEF
16126	16126-1140	VALVE TIRE		2	
41009	41009-0545	TIRE,FR,120/70ZR17(58W),S20F		1	
41009A	41009-0546	TIRE,RR,190/50ZR17(73W),S20R		1	
41075	41075-0007	BALANCER-WHEEL,10G,SILVER		AR	
41075A	41075-0008	BALANCER-WHEEL,20G,SILVER		AR	
41075B	41075-0009	BALANCER-WHEEL,30G,SILVER		AR	

This catalog covers:

'14 ZX100MEF Chassis

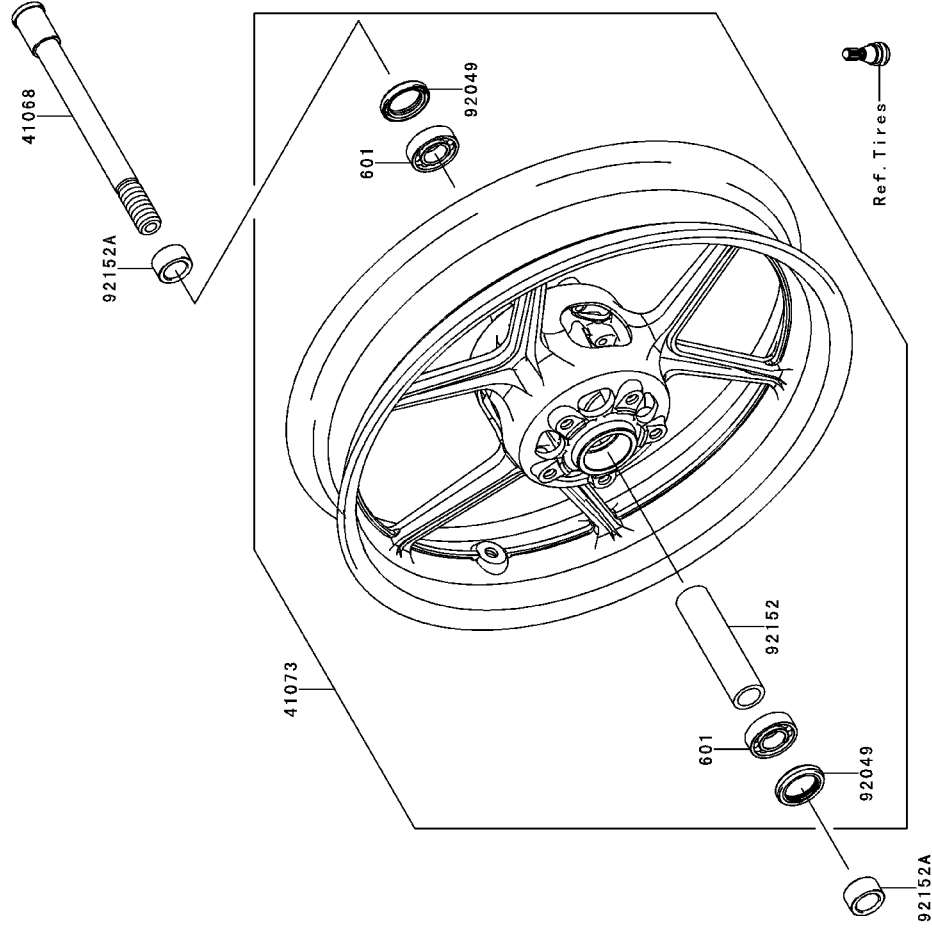
GRID NO. This grid covers:

E-14 Front Hub

F2230



Ref. No.	Part No.	Description	Spec Code	Quantity-ZX1000	
				'14	MEF
41068	41068-0038	AXLE,FR			1
41073	41073-0608-QT	WHEEL-ASSY,FR,G,BLACK			1
92049	92049-1057	SEAL-OIL,BJN30427-C3			2
92152	92152-0087	COLLAR,FR HUB,L=115			1
92152A	92152-0310	COLLAR,FR AXLE,L=15.5			2
601	601B6004UU	BEARING-BALL,#6004UUC3			2



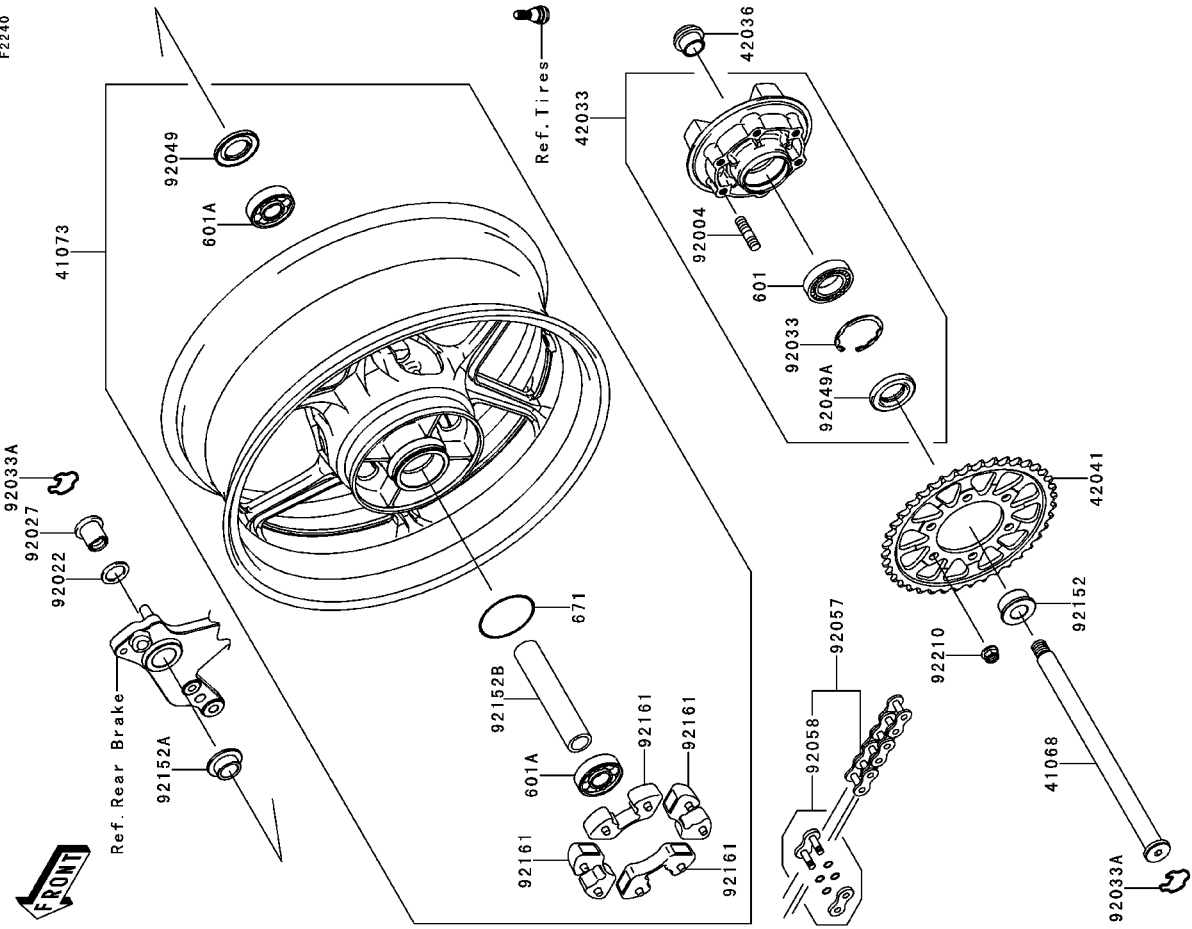
This catalog covers:

'14 ZX100MEF Chassis

GRID NO. This grid covers:

F-3 Rear Hub

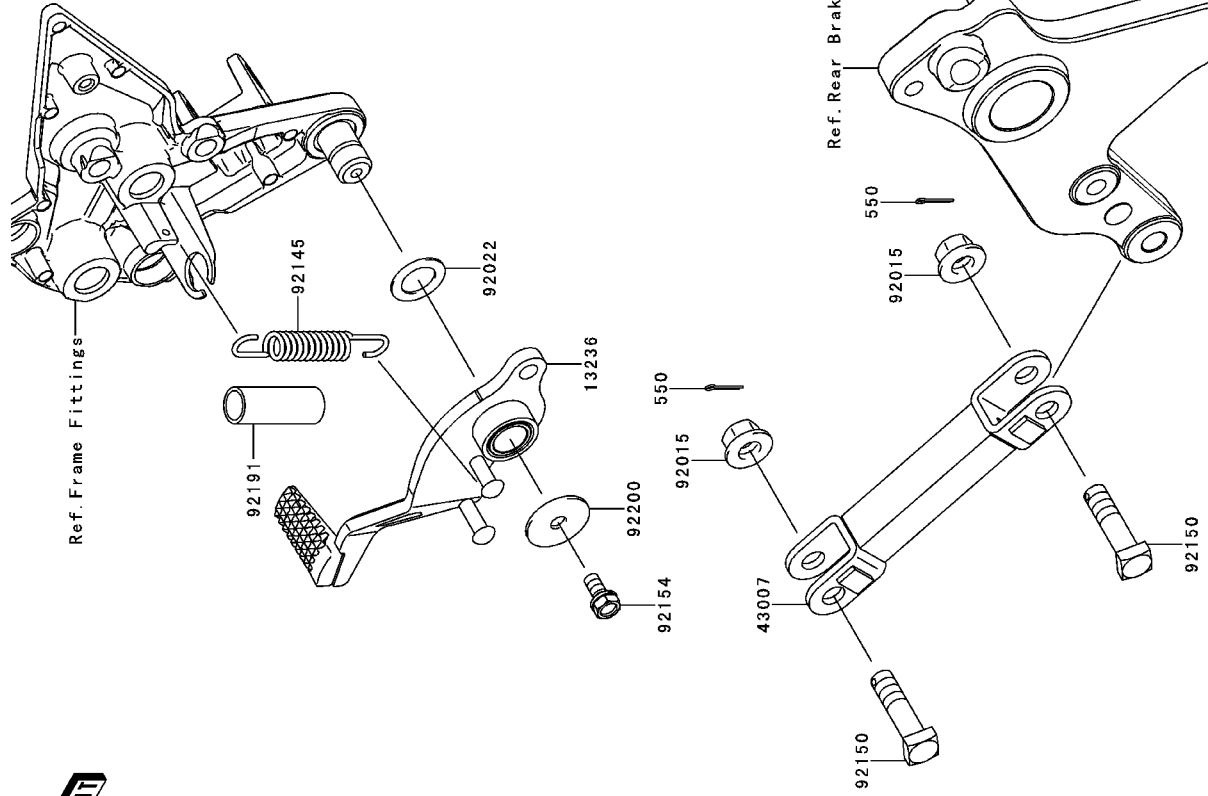
F2240



Ref. No.	Part No.	Description	Spec Code	Quantity-ZX1000	
				'14	MEF
41068	41068-1354	AXLE,RR		1	
41073	41073-0607-QT	WHEEL-ASSY,RR,G:BLACK		1	
42033	42033-0028	COUPLING-ASSY,RR HUB		1	
42036	42036-1251	SLEEVE,RR HUB,L=23		1	
42041	42041-0095	SPROCKET-HUB,41T		1	
92004	92004-0028	STUD,10X19		6	
92022	92022-1618	WASHER,23X32X2.3		1	
92027	92027-1810	COLLAR,RR AXLE,L=28		1	
92033	92033-1043	RING-SNAP,52MM		1	
92033A	92033-1156	RING-SNAP,RR AXLE		2	
92049	92049-0723	SEAL-OIL,27X52X5		1	
92049A	92049-1287	SEAL-OIL		1	
92057	92057-0203	CHAIN,DRIVE,EK525ZX-112L		1	
92058	92058-0027	JOINT-CHAIN,DRIVE		1	
92152	92152-0118	COLLAR,RR AXLE,LH,L=18		1	
92152A	92152-0876	COLLAR,RR AXLE,RH,20X28X14.5		1	
92152B	92152-0892	COLLAR,RR HUB,20.2X28X144.5		1	
92161	92161-0342	DAMPER,SHOCK,RR HUB		4	
92210	92210-0276	NUT,LOCK,FLANGED,10MM		6	
601	601B6205UU	BEARING-BALL		1	
601A	601B6304UU	BEARING-BALL,#6304UUC3		2	
671	671B2560	O RING,60MM		1	

This catalog covers:

'14 ZX1000MEF Chassis



GRID NO. This grid covers:

F-4 Brake Pedal

Ref. No.	Part No.	Description	Spec Code	Quantity-ZX1000	
				'14	MEF
13236	13236-0741	LEVER-COMP		1	
43007	43007-0016-18R	ROD-TORQUE,F.S.BLACK		1	
92015	92015-1415	NUT,FLANGED,10MM		2	
92022	92022-326	WASHER,15.3X24X1		1	
92145	92145-0764	SPRING,BRAKE LEVER		1	
92150	92150-1598	BOLT,10X39.5		2	
92154	92154-0293	BOLT,UPSET-WS,6X14		1	
92191	92191-1739	TUBE,12X15X40		1	
92200	92200-0279	WASHER,7X28X1.6		1	
550	550AA2015	PIN-COTTER,2.0X15		2	

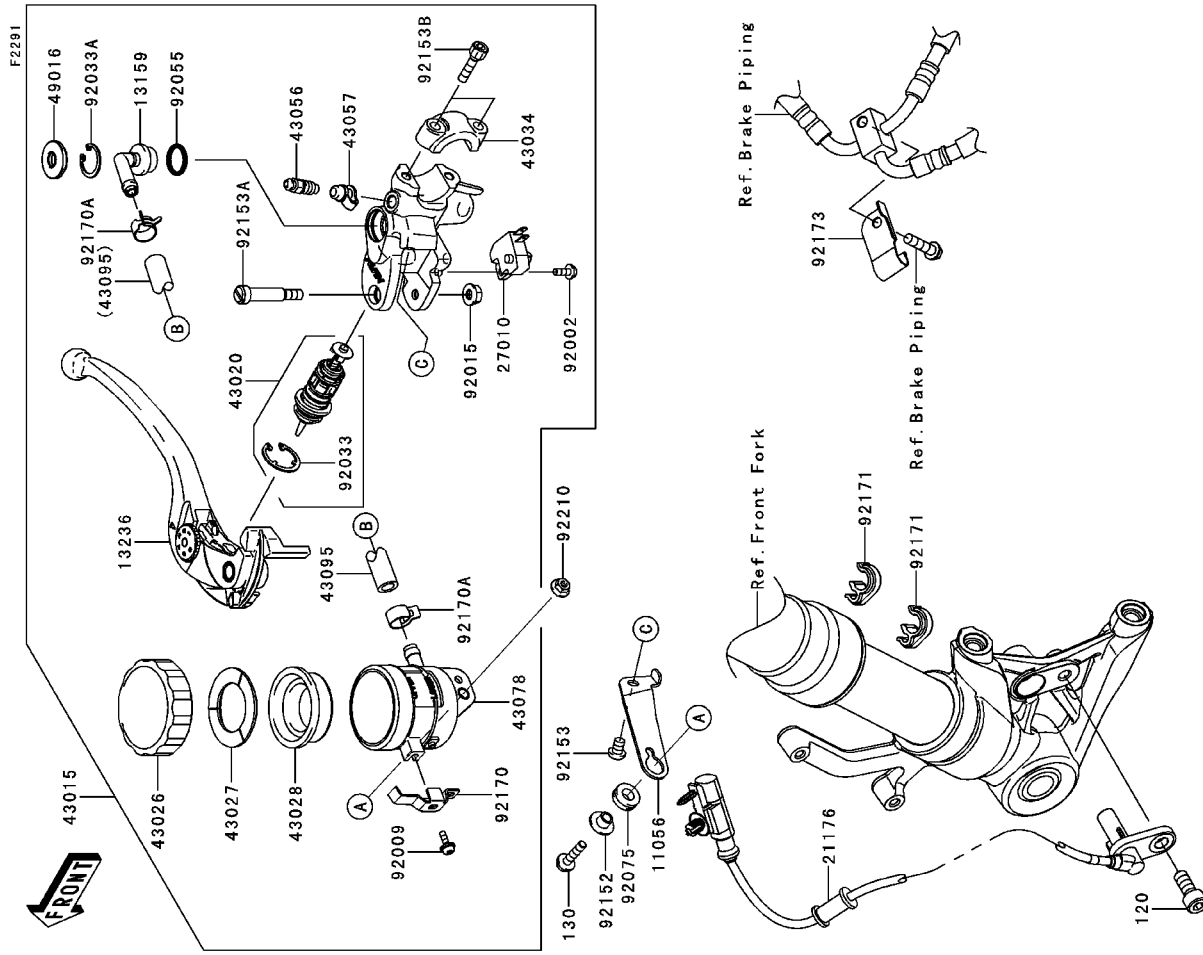
This catalog covers:

'14 ZX100MEF Chassis

GRID NO. This grid covers:

F-6 Front Master Cylinder

Ref. No.	Part No.	Description	Spec Code	Quantity-ZX1000	
				'14	MEF
11056	11056-0263	BRACKET,RESERVOIR TANK		1	
13159	13159-1061	CONNECTOR		1	
13236	13236-0103	LEVER-COMP.FRONT BRAKE		1	
21176	21176-0754	SENSOR,WHEEL SPEED		1	
27010	27010-0025	SWITCH,BRAKE		1	
43015	43015-0141	CYLINDER-ASSY-MASTER,FR		1	
43020	43020-0010	PISTON-COMP-BRAKE		1	
43026	43026-1051	CAP-BRAKE		1	
43027	43027-1051	PLATE-DIAPHRAGM		1	
43028	43028-1057	DIAPHRAGM,MASTER CYLINDER		1	
43034	43034-0056	HOLDER-BRAKE,MASTER CYLINDER		1	
43056	43056-1056	BREATHER-BRAKE		1	
43057	43057-1001	CAP-BREATHER		1	
43078	43078-1099	RESERVOIR		1	
43095	43095-0366	HOSE-BRAKE,FR MASTER CYLINDER		1	
49016	49016-1147	COVER-SEAL		1	
92002	92002-1323	BOLT,SCREW,4X12		1	
92009	92009-1570	SCREW		1	
92015	92015-1528	NUT,FLANGED,6MM		1	
92033	92033-0034	RING-SNAP		1	
92033A	92033-1186	RING-SNAP,20.5MM		1	
92055	92055-0741	RING-O,14,8X2.4		1	
92075	92075-161	DAMPER		1	
92152	92152-0017	COLLAR		1	
92153	92153-0578	BOLT,6X8		1	
92153A	92153-0868	BOLT,LEVER		1	
92153B	92153-1518	BOLT,SOCKET,6X22		2	
92170	92170-1090	CLAMP		1	
92170A	92170-1091	CLAMP,HOSE		2	
92171	92171-1819	CLAMP,BRAKE HOSE		2	
92173	92173-0086	CLAMP		1	
92210	92210-0007	NUT,FLANGED,5MM		1	
120	120CB0820	BOLT-SOCKET,8X20		1	
130	130BB0520	BOLT-FLANGED,5X20		1	



This catalog covers:

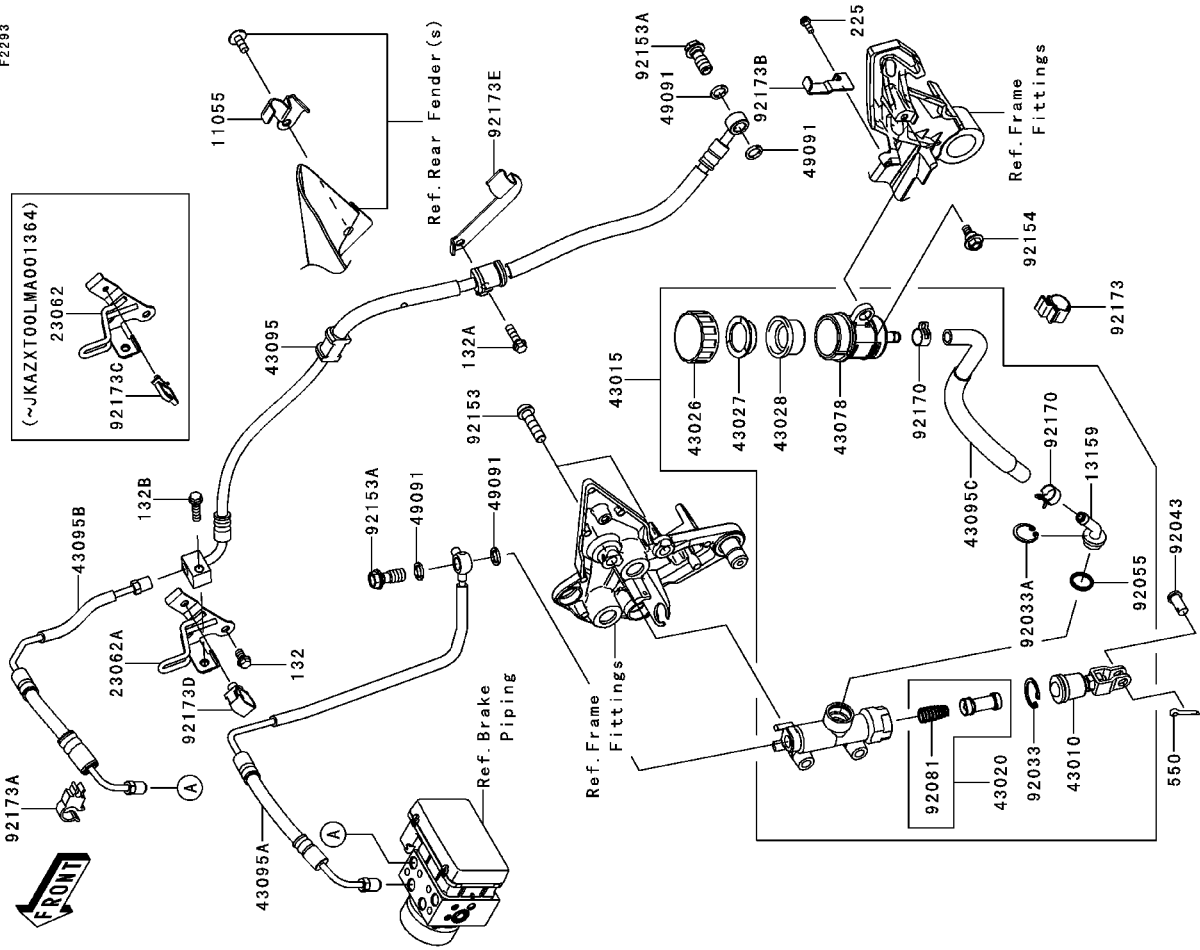
'14 ZX100MEF Chassis

GRID NO.

This grid covers:

F-8 Rear Master Cylinder

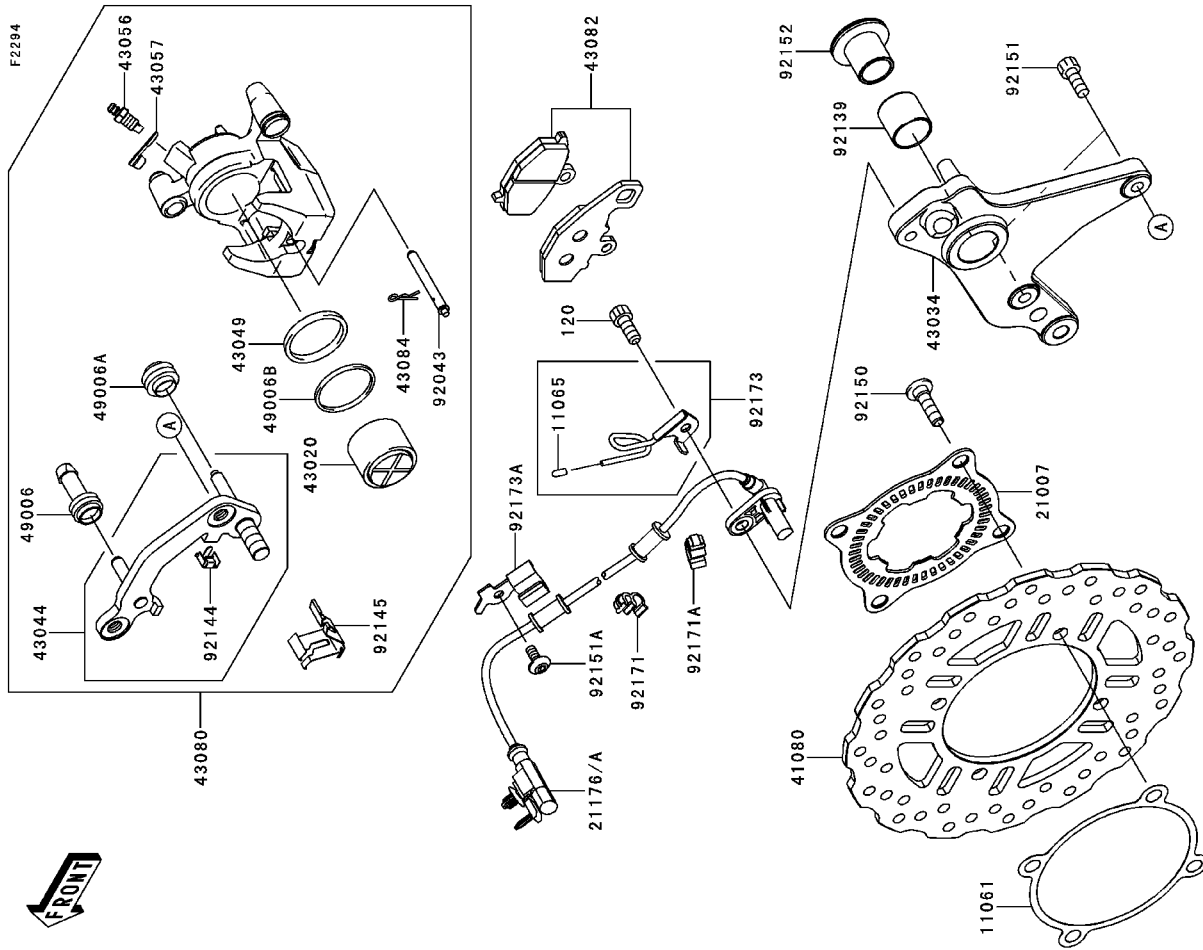
F2293



Ref. No.	Part No.	Description	Spec Code	Quantity-ZX1000	
				'14	MEF
11055	11055-1785	BRACKET		1	
13159	13159-0008	CONNECTOR		1	
23062	23062-0814	BRACKET-COMP	JKAZXT00LMA001364)	1	
23062A	23062-0823	BRACKET-COMP	(JKAZXT00LMA001365-)	1	
43010	43010-1062	ROD-ASSY-BRAKE		1	
43015	43015-0596	CYLINDER-ASSY-MASTER,RR		1	
43020	43020-1057	PISTON-COMP-BRAKE		1	
43026	43026-0009	CAP-BRAKE		1	
43027	43027-1053	PLATE-DIAPHRAGM		1	
43028	43028-1065	DIAPHRAGM		1	
43078	43078-0060	RESERVOIR		1	
43095	43095-0510	HOSE-BRAKE,RR		1	
43095A	43095-0785	HOSE-BRAKE,HU-RR M/C		1	
43095B	43095-0786	HOSE-BRAKE,HU-RR CALIPER		1	
43095C	43095-0811	HOSE-BRAKE,RR M/C		1	
49091	49091-0001	WASHER-SEAL,10.1X14.5X1.5		4	
92033	92033-0079	RING-SNAP,20.9X24.6X1.2		1	
92033A	92033-1186	RING-SNAP,20.5MM		1	
92043	92043-0104	PIN,8X17		1	
92055	92055-0741	RING-O,14.8X2.4		1	
92081	92081-1737	SPRING,MASTER CYLINDER		1	
92153	92153-0393	BOLT SOCKET,8X30		2	
92153A	92153-0627	BOLT,OIL,L=23		2	
92154	92154-0385	BOLT,FLANGED,6X16		1	
92170	92170-1091	CLAMP,HOSE		2	
92173	92173-0127	CLAMP,CLIP		1	
92173A	92173-0170	CLAMP		1	
92173B	92173-0221	CLAMP		1	
92173C	92173-0229	CLAMP		1	
92173D	92173-0868	CLAMP,HOLDER CLIP	JKAZXT00LMA001364)	1	
92173E	92173-1248	CLAMP	(JKAZXT00LMA001365-)	1	
132	132BA0610	BOLT-FLANGED-SMALL,6X10		1	
132A	132BA0620	BOLT-FLANGED-SMALL,6X20		1	
132B	132BA0625	BOLT-FLANGED-SMALL,6X25		1	
225	225AB0412	SCREW-PAN-WSP-CROS,4X12		1	
550	550AA2015	PIN-COTTER,2.0X15		1	

This catalog covers:

'14 ZX100MEF Chassis



GRID NO. This grid covers:

F-9 Rear Brake

Ref. No.	Part No.	Description	Spec Code	Quantity-ZX1000	
				'14	MEF
11061	11061-0204	GASKET, DISC PLATE		1	
11065	11065-0374	CAP		1	
21007	21007-0141	ROTOR, SENSOR, RR		1	
21176	21176-0755	SENSOR, WHEEL SPEED, RR		1	
21176A	(JKAZXT00LMA001364)				
21176A	21176-0774	SENSOR, WHEEL SPEED, RR		1	
	(JKAZXT00LMA001365 -)				
41080	41080-0089	DISC, RR		1	
43020	43020-1119	PISTON-COMP-BRAKE		1	
43034	43034-0098	HOLDER-BRAKE, RR		1	
43044	43044-0033	HOLDER-COMP-CALIPER, RR		1	
43049	43049-1097	PACKING, PISTON SEAL		1	
43056	43056-0007	BREATHER-BRAKE		1	
43057	43057-003	CAP-BREATHER		1	
43080	43080-0103-DJ	CALIPER-SUB-ASSY, RR, BLACK		1	
43082	43082-0119	PAD-ASSY-BRAKE		1	
43084	43084-003	CLAMP, PAD		1	
49006	49006-1054	BOOT, CALIPER		1	
49006A	49006-1095	BOOT, CALIPER		1	
49006B	49006-1212	BOOT, PISTON SEAL		1	
92043	92043-1489	PIN, PAD		1	
92139	92139-0278	BUSHING, 25X28X25		1	
92144	92144-1831	SPRING, STOPPER		1	
92145	92145-0760	SPRING		1	
92150	92150-1771	BOLT, SOCKET, 8X30		4	
92151	92151-1289	BOLT, SOCKET, 8X20		2	
92151A	92151-1654	BOLT, SOCKET, 6X14		1	
92152	92152-1866	COLLAR, 20X25X30		1	
92171	92171-0921	CLAMP		1	
92171A	92171-1819	CLAMP, BRAKE HOSE		1	
92173	92173-1099	CLAMP		1	
92173A	92173-1144	CLAMP, RR WHEEL SPEED SENSOR		1	
120	120CB0820	BOLT-SOCKET, 8X20		1	

This catalog covers:

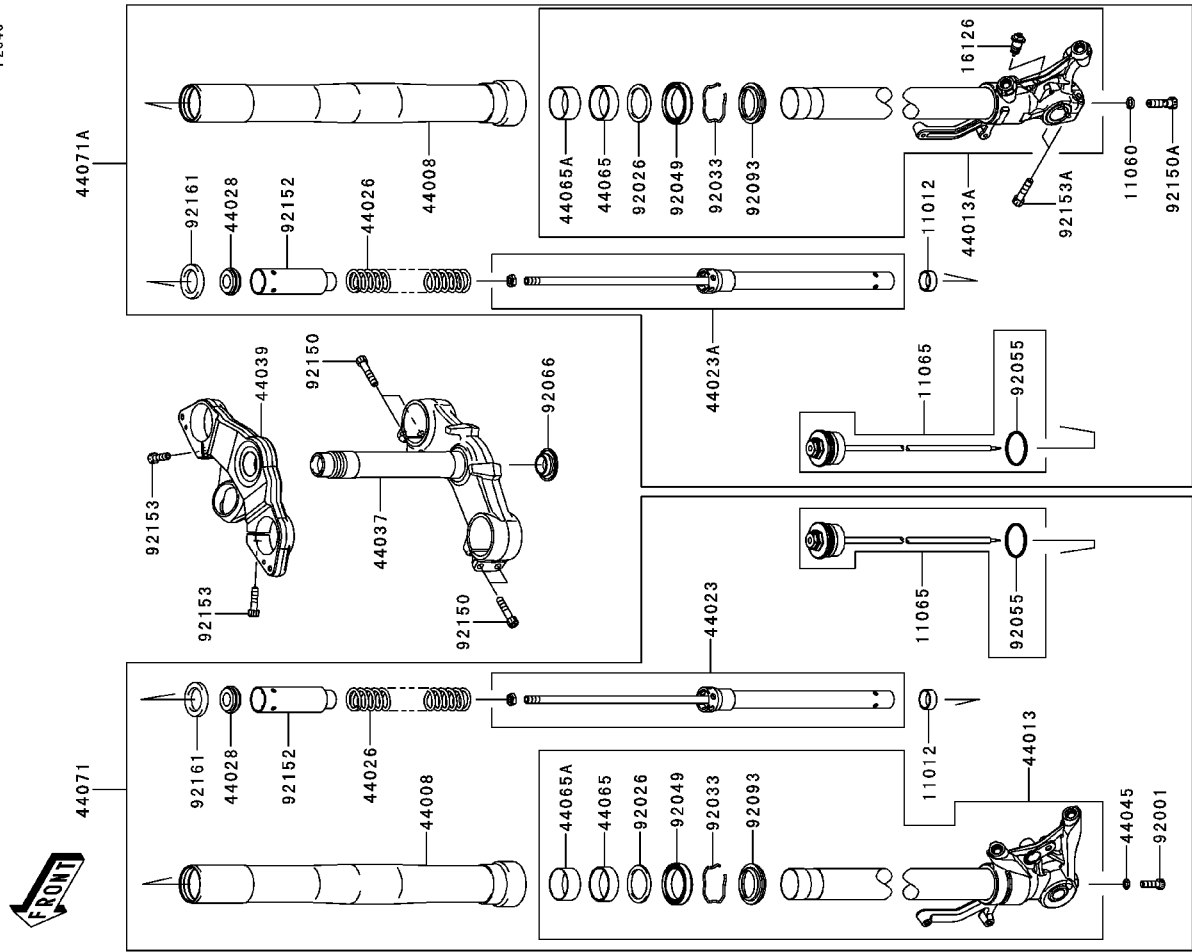
'14 ZX100MEF Chassis

GRID NO. This grid covers:

F-11 Front Fork

F2340

Ref. No.	Part No.	Description	Spec Code	Quantity-ZX1000	
				'14	MEF
11012	11012-1761	CAP		2	
11060	11060-1180	GASKET,FORK CYLINDER BOLT		1	
11065	11065-0372-11G	CAP,FORK BOLT COMP,GRAY		1	
16126	16126-0031	VALVE,FORK		2	
44008	44008-0053-11G	PIPE-FORK OUTER,GRAY		2	
44013	44013-0223	PIPE-FORK INNER,LH		1	
44013A	44013-0224	PIPE-FORK INNER,RH		1	
44023	44023-0117	CYLINDER-SET-FORK,LH		1	
44023A	44023-0118	CYLINDER-SET-FORK,RH		1	
44026	44026-0153	SPRING-FRONT FORK		2	
44028	44028-1083	GUIDE-FORK SPRING		2	
44037	44037-0140-18R	HOLDER-FORK UNDER,F.S.BLACK		1	
44039	44039-0105-18R	HOLDER-FORK UPPER,F.S.BLACK		1	
44045	44045-051	GASKET,FORK CYLINDER BOLT		1	
44065	44065-0030	BUSHING-FRONT FORK,GUIDE		2	
44065A	44065-0036	BUSHING-FRONT FORK		2	
44071	44071-0900-39F	DAMPER-ASSY,FORK,LH,GRAY+GRAY		1	
44071A	44071-0901-39F	DAMPER-ASSY,FORK,RH,GRAY+GRAY		1	
92001	92001-1464	BOLT,FORK CYLINDER		1	
92026	92026-1276	SPACER,FORK OUTER		2	
92033	92033-1222	RING-SNAP		2	
92049	92049-0125	SEAL-OIL		2	
92055	92055-0131	RING-O		2	
92066	92066-0032	PLUG		1	
92093	92093-0035	SEAL,DUST		2	
92150	92150-1512	BOLT, SOCKET		4	
92150A	92150-1514	BOLT,FORK CYLINDER		1	
92152	92152-0263	COLLAR		2	
92153	92153-0500	BOLT, SOCKET,8X30		2	
92153A	92153-0537	BOLT, SOCKET		2	
92161	92161-0418	DAMPER		2	



This catalog covers:

'14 ZX100MEF Chassis

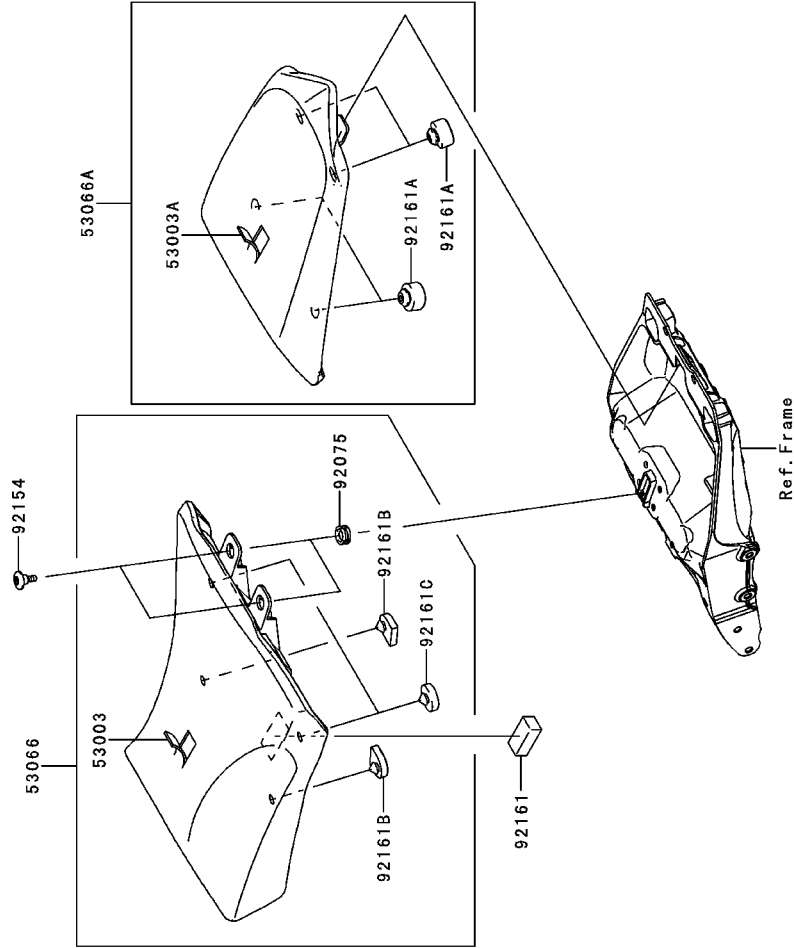
GRID NO. This grid covers:

F-13 Seat

F2510



Ref. No.	Part No.	Description	Spec Code	Quantity-ZX1000	
				'14	MEF
53003	53003-0207-MA	LEATHER, BLACK, FR			1
53003A	53003-0379-MA	LEATHER, BLACK, RR			1
53066	53066-0400-MA	SEAT-ASSY, FR, BLACK			1
53066A	53066-0401-MA	SEAT-ASSY, RR, BLACK			1
92075	92075-1634	DAMPER			2
92154	92154-0292	BOLT, 6X20			2
92161	92161-0889	DAMPER, FR SEAT			1
92161A	92161-0930	DAMPER, RR SEAT			4
92161B	92161-0954	DAMPER, FR SEAT, FR			2
92161C	92161-0955	DAMPER, FR SEAT, RR			2

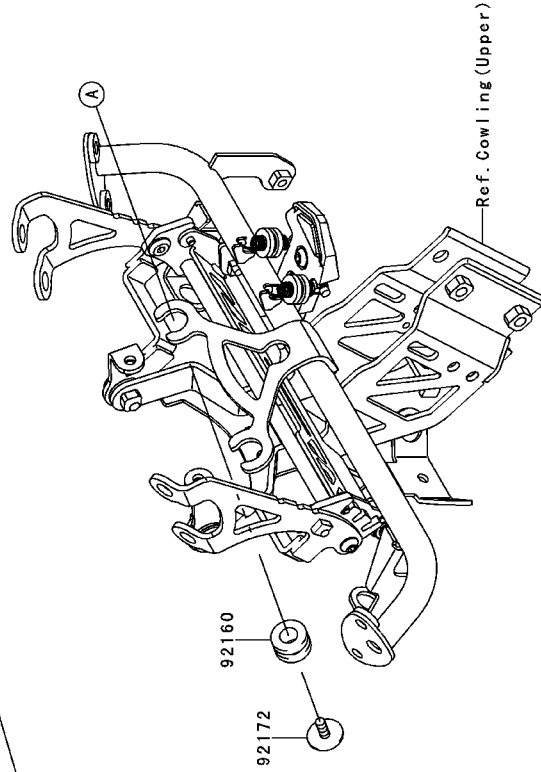
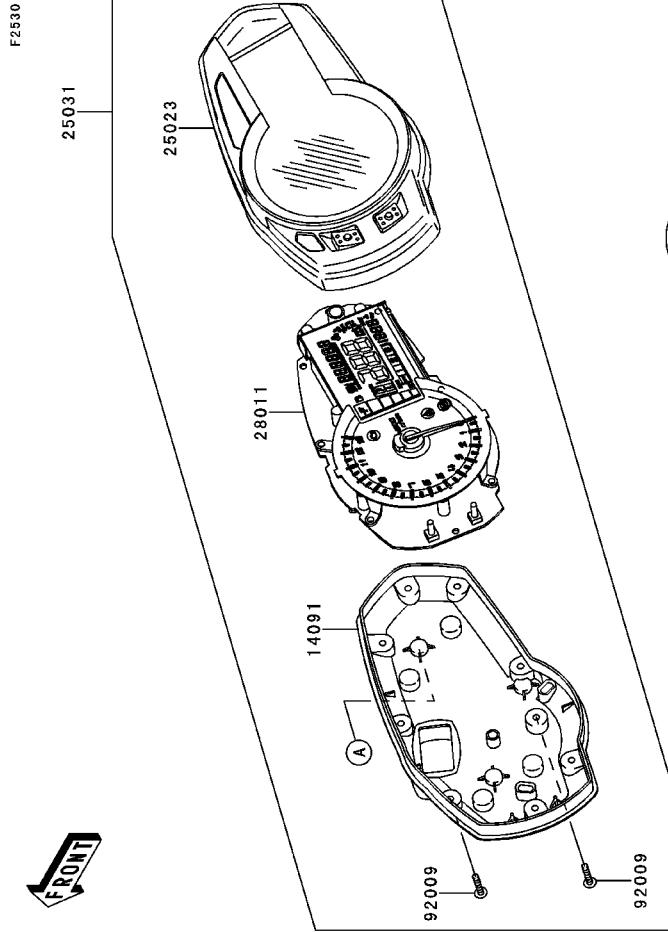


This catalog covers:

'14 ZX100MEF Chassis

GRID NO. This grid covers:

F-14 Meter(s)



Ref. No.	Part No.	Description	Spec Code	Quantity-ZX1000	
				'14	MEF
14091	14091-1739	COVER METER LWR			1
25023	25023-0089	COVER-METER CASE			1
25031	25031-0479	METER-ASSY.COMBINATION			1
28011	28011-0605	METER, TACHO&LCD			1
92009	92009-1391	SCREW,TAPPING,3X16			9
92160	92160-1167	DAMPER			3
92172	92172-0441	SCREW,TAPPING,WP,5X14			3

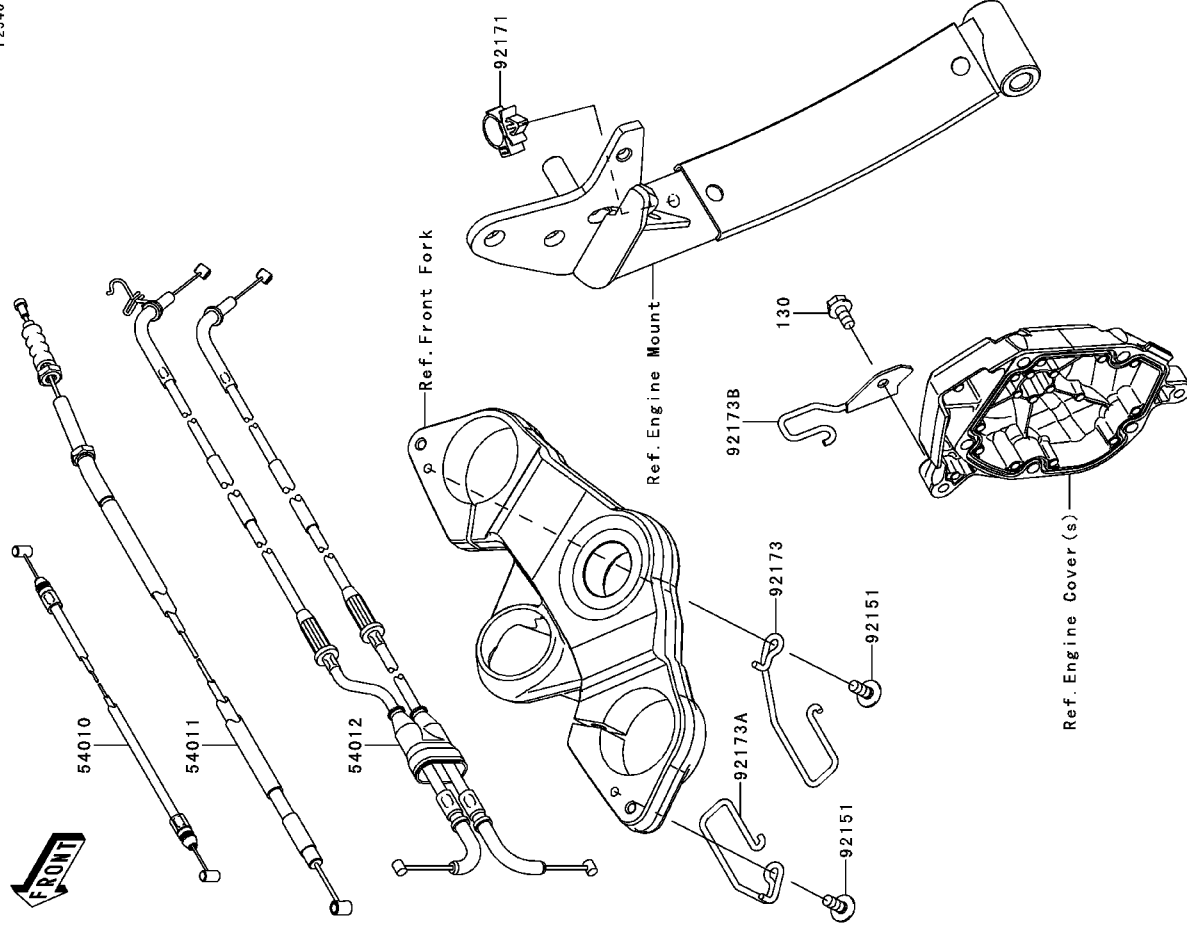
This catalog covers:

'14 ZX100MEF Chassis

GRID NO. This grid covers:

G-3 Cables

F2540



Ref. No.	Part No.	Description	Spec Code	Quantity-ZX1000	
				'14	MEF
54010	54010-0135	CABLE, SEAT LOCK			1
54011	54011-0578	CABLE-CLUTCH			1
54012	54012-0566	CABLE-THROTTLE			1
92151	92151-1654	BOLT, SOCKET, 6X14			2
92171	92171-0782	CLAMP			1
92173	92173-0245	CLAMP, THROTTLE CABLE			1
92173A	92173-0246	CLAMP, CLUTCH CABLE			1
92173B	92173-0737	CLAMP, CLUTCH COVER			1
130	130BB0612	BOLT-FLANGED, 6X12			1

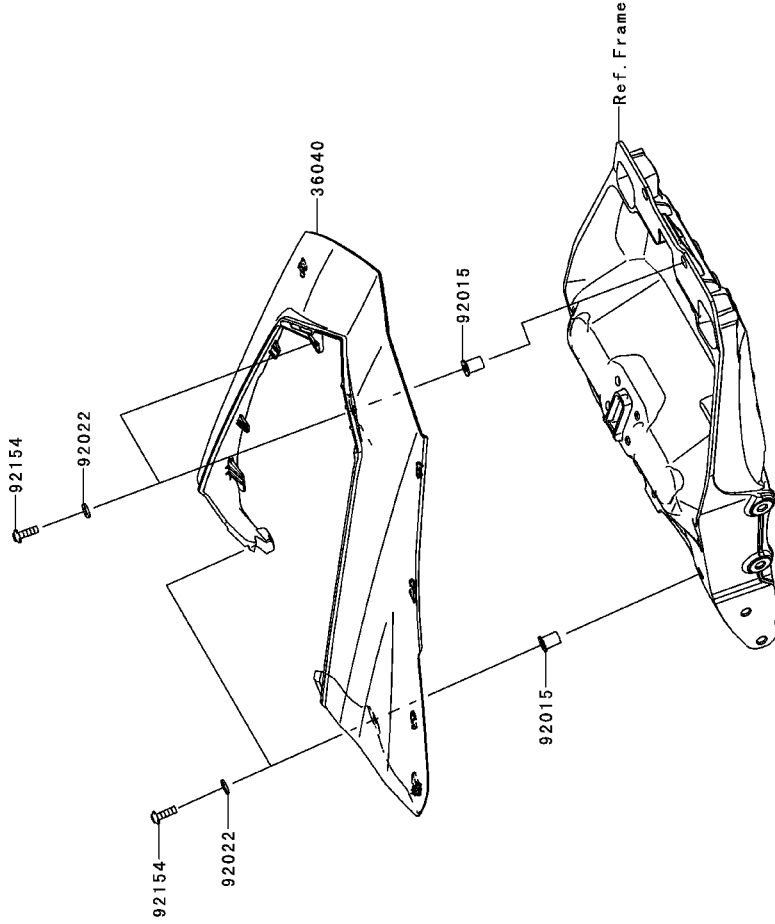
This catalog covers:

'14 ZX100MEF Chassis

GRID NO. This grid covers:

G-4 Side Covers

F2811



Ref. No.	Part No.	Description	Spec Code	Quantity-ZX1000	
				'14	MEF
36040	36040-0144-17P	COVER-TAIL,C.L.,GREEN			1
92015	92015-1757	NUT,WELL,5MM			4
92022	92022-1521	WASHER,NYLON,5.3X11.5X1.5			4
92154	92154-0026	BOLT, SOCKET,5X16			4

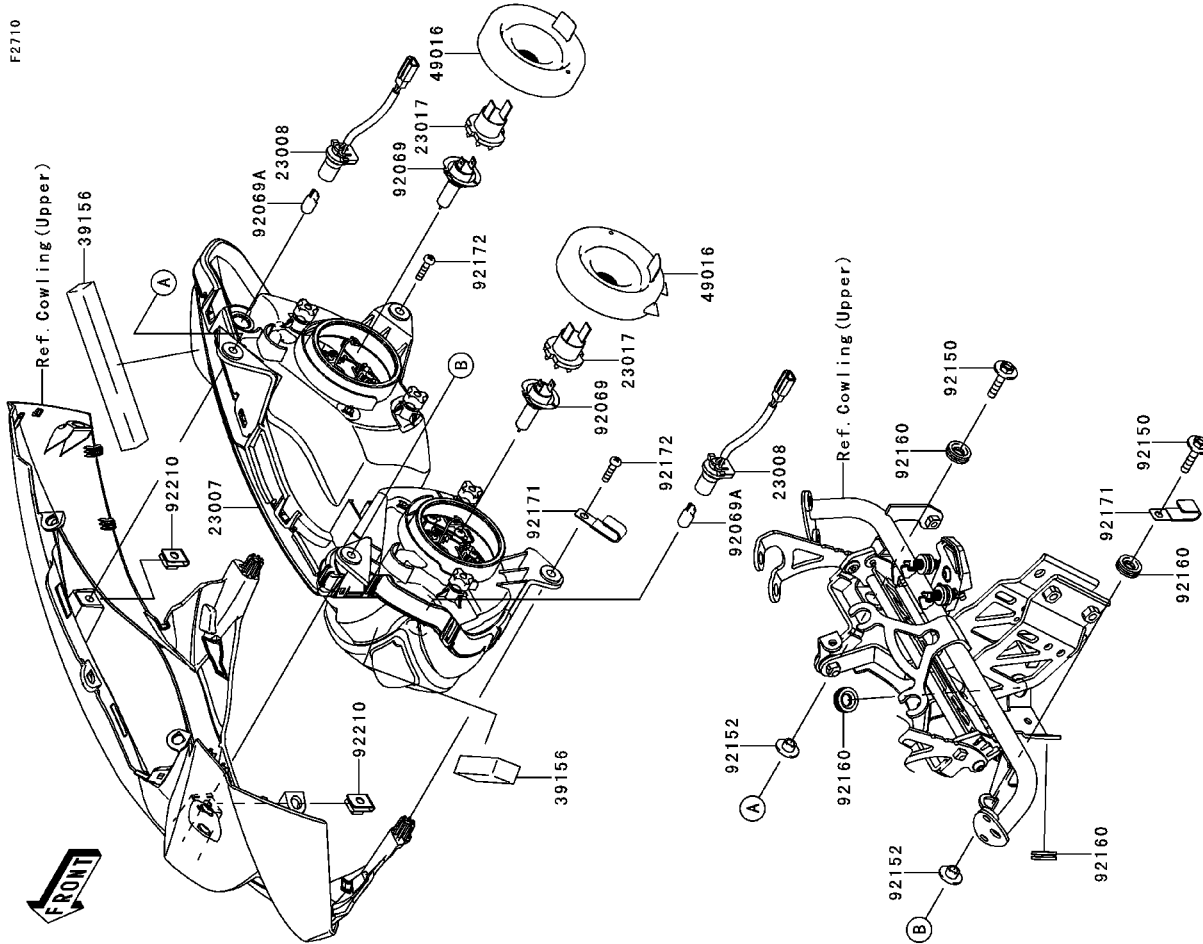
This catalog covers:

'14 ZX100MEF Chassis

GRID NO. This grid covers:

G-5 Headlight(s)

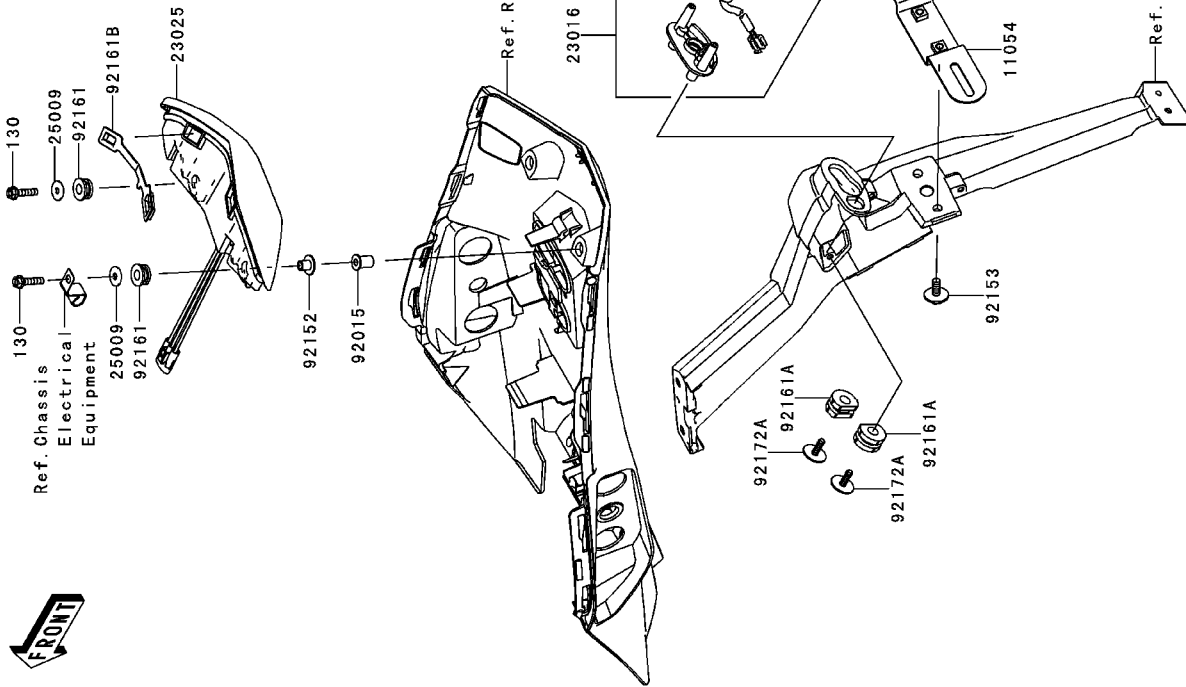
F2710



Ref. No.	Part No.	Description	Spec Code	Quantity-ZX1000	
				'14	MEF
23007	23007-0144	LENS-COMP HEAD LAMP		1	
23008	23008-0109	SOCKET-ASSY, HEAD LAMP		2	
23017	23017-1067	SOCKET, HEAD LAMP		2	
39156	39156-0736	PAD, 20X140X15		2	
49016	49016-0062	COVER-SEAL, HEAD LAMP		2	
92069	92069-0053	BULB, 12V 55W, H7		2	
92069A	92069-1016	BULB, 12V 5W		2	
92150	92150-1694	BOLT, 6X30		2	
92152	92152-1255	COLLAR		2	
92160	92160-1278	DAMPER		4	
92171	92171-0305	CLAMP		2	
92172	92172-1072	SCREW		2	
92210	92210-0130	NUT		2	

This catalog covers:

'14 ZX1000MEF Chassis



GRID NO. This grid covers:

G-6 Taillight(s)

Ref. No.	Part No.	Description	Spec Code	Quantity-ZX1000	
				'14	MEF
11054	11054-1762	BRACKET, LICENSE		1	
14092	14092-0001	COVER, LICENSE LAMP		1	
23016	23016-0561	LAMP-ASSY, LICENSE		1	
23025	23025-0331	LAMP-TAIL		1	
23026	23026-0015	LENS, LICENSE LAMP		1	
25009	25009-004	WASHER, 5.2X16X1.2		2	
92015	92015-1757	NUT, WELL, 5MM		2	
92069	92069-1016	BULB, 12V 5W		1	
92152	92152-0092	COLLAR		2	
92153	92153-1423	BOLT, 6X16		2	
92161	92161-0317	DAMPER		2	
92161A	92161-0776	DAMPER		2	
92161B	92161-0808	DAMPER, TAIL LAMP		1	
92172	92172-0343	SCREW, TAPPING, 2.9X13		2	
92172A	92172-0481	SCREW, TAPTITE, 5X16		2	
130	130BA0525	BOLT-FLANGED, 5X25		2	

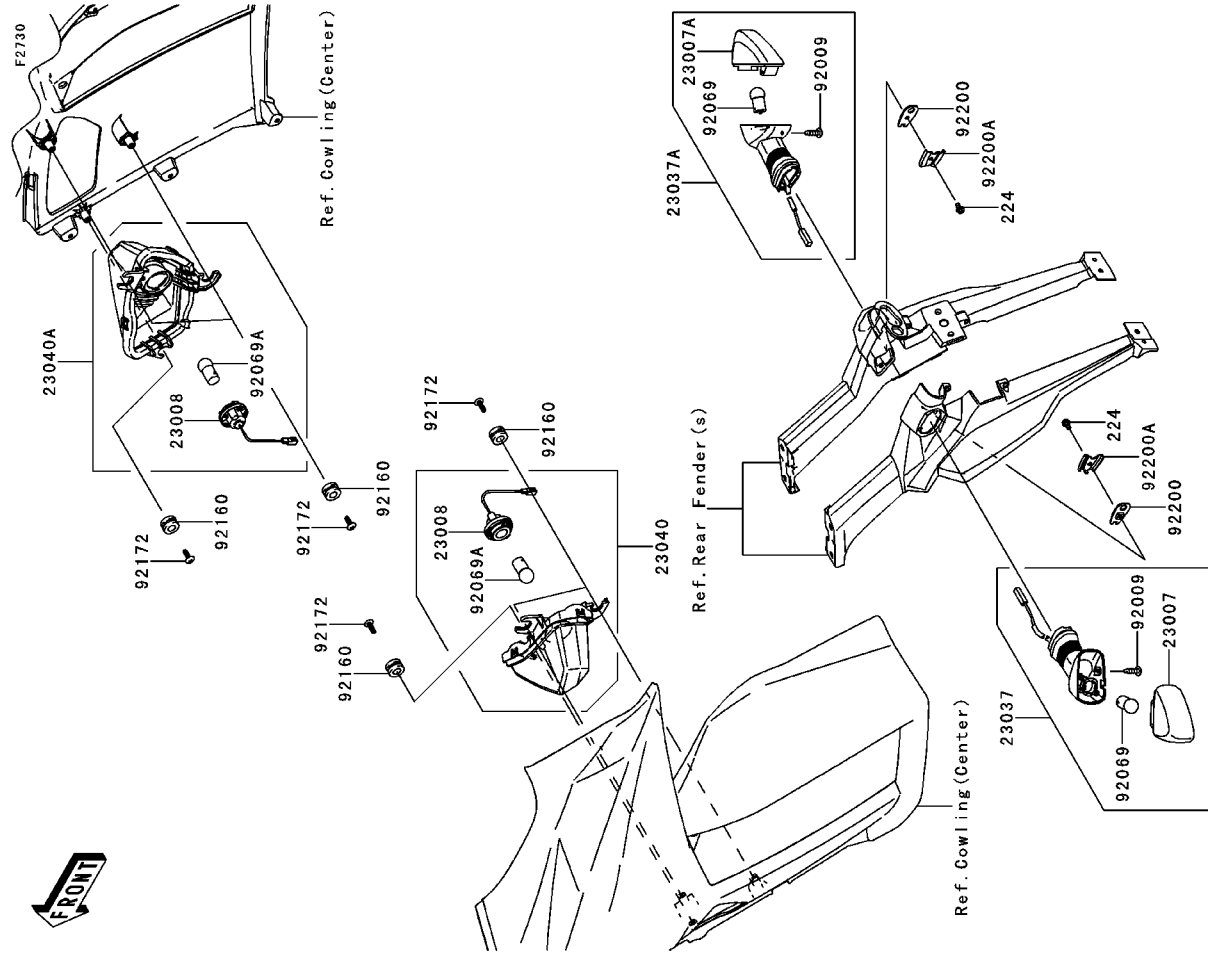
This catalog covers:

'14 ZX100MEF Chassis

GRID NO. This grid covers:

G-7 Turn Signals

Ref. No.	Part No.	Description	Spec Code	Quantity-ZX1000	
				'14	MEF
23007	23007-0102	LENS-COMP SIGNAL LAMP,RR,LH		1	
23007A	23007-0103	LENS-COMP,SIGNAL LAMP,RR,RH		1	
23008	23008-0125	SOCKET-ASSY,SIGNAL LAMP,FR		2	
23037	23037-0184	LAMP-ASSY-SIGNAL,RR,LH		1	
23037A	23037-0185	LAMP-ASSY-SIGNAL,RR,RH		1	
23040	23040-0099	LAMP-SIGNAL,FR,LH		1	
23040A	23040-0100	LAMP-SIGNAL,FR,RH		1	
92009	92009-1158	SCREW,4X16,BLACK		2	
92069	92069-0020	BULB,12V 10W		2	
92069A	92069-0046	BULB,12V 10W		2	
92160	92160-1167	DAMPER		6	
92172	92172-0238	SCREW,TAPPING,5X16		6	
92200	92200-0164	WASHER SIGNAL LAMP		2	
92200A	92200-0165	WASHER,SIGNAL LAMP		2	
224	224AB0408	SCREW-PAN-WP-CROS,4X8		2	



This catalog covers:

'14 ZX100MEF Chassis

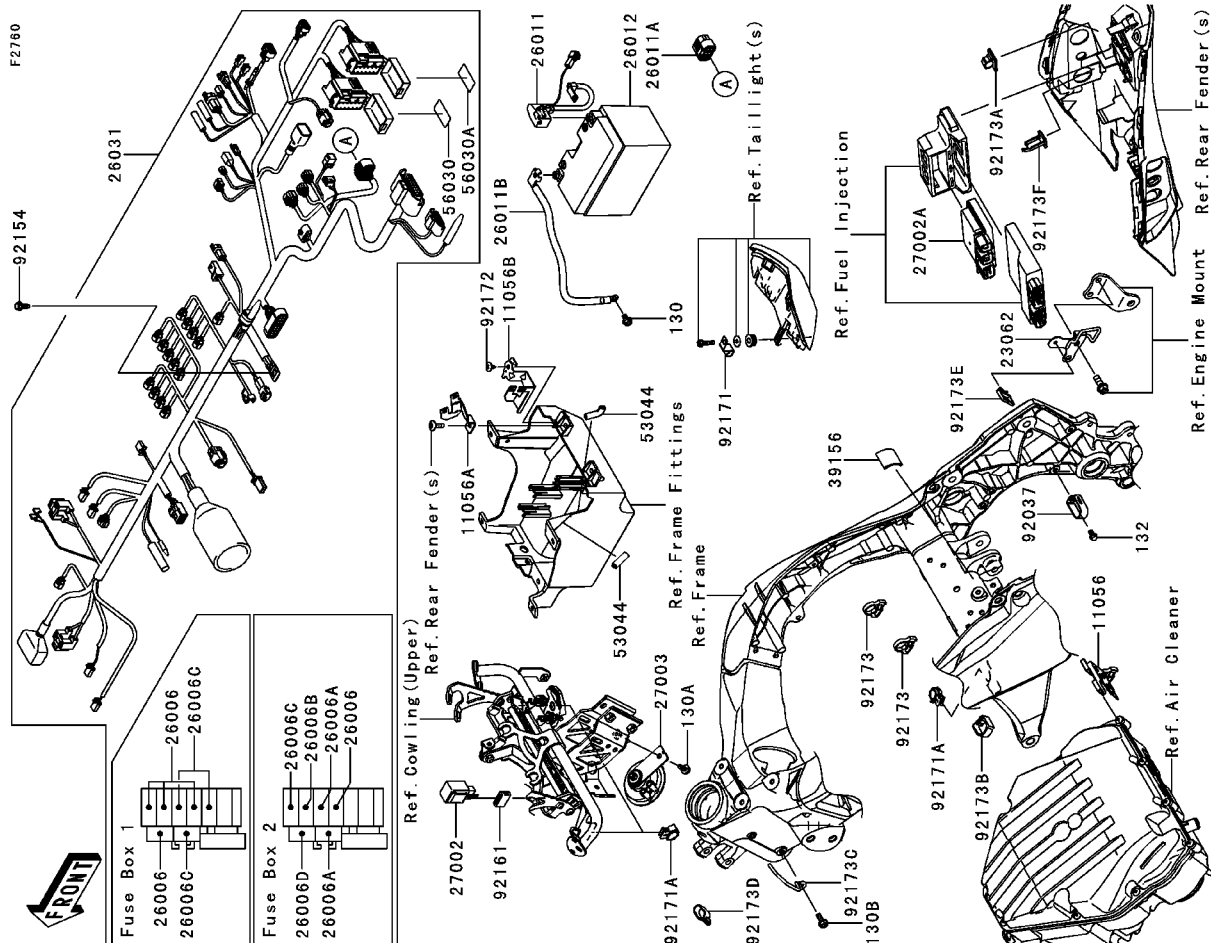
GRID NO.

G-8

This grid covers:

Chassis Electrical Equipment

Ref. No.	Part No.	Description	Spec Code	Quantity-ZX1000	
				'14	MEF
11056	11056-2434	BRACKET,SPEED SENSOR		1	
11056A	11056-2992	BRACKET,RR SIGNAL		1	
11056B	11056-3924	BRACKET,BATTERY(+)		1	
23062	23062-0811	BRACKET-COMP,CABLE GUIDE		1	
26006	26006-0001	FUSE,MINI BLADE,15A,BLUE		5	
26006A	26006-0020	FUSE,MINI BLADE,25A,NATURAL		2	
26006B	26006-0052	FUSE,MINI BLADE,2A,GRAY		1	
26006C	26006-0055	FUSE,MINI BLADE,7.5A,BROWN		4	
26006D	26006-1080	FUSE,MINI BLADE,30A,GREEN		1	
26011	26011-0252	WIRE-LEAD,BATTERY(+)		1	
26011A	26011-0275	WIRE-LEAD		1	
26011B	26011-0822	WIRE-LEAD,BATTERY(-)		1	
26012	26012-0556	BATTERY,YT12A-BS,12V		1	
26031	26031-1706	HARNES,MAIN		1	
27002	27002-0006	RELAY-ASSY,SIGNAL LAMP		1	
27002A	27002-0007	RELAY-ASSY		1	
27003	27003-0075	HORN		1	
39156	39156-1766	PAD,30X30X3		1	
53044	53044-0001	TRIM,L=30		2	
56030	56030-0830	LABEL,FUSE BOX1		1	
56030A	56030-0832	LABEL,FUSE BOX2		1	
92037	92037-2014	CLAMP,CABLE,STEEL SHEET		1	
92154	92154-0551	BOLT,FLANGED,6X16		1	
92161	92161-0283	DAMPER,SIGNAL RELAY		1	
92171	92171-0652	CLAMP,L=60		1	
92171A	92171-1722	CLAMP,EDGE CLIP		3	
92172	92172-0003	SCREW,TAPPING 6X12		1	
92173	92173-0970	CLAMP,SNAPPER		2	
92173A	92173-1055	CLAMP,DRAIN		1	
92173B	92173-1156	CLAMP,HARNES		1	
92173C	92173-1199	CLAMP,IRON WIRE		1	
92173D	92173-1229	CLAMP,RUBBER PLATE		1	
92173E	92173-1242	CLAMP,CABLE CLIP		1	
92173F	92173-1269	CLAMP,LOCKING WIRE SADDLE		1	
130	130BA0610	BOLT-FLANGED,6X10		1	
130A	130BB0614	BOLT-FLANGED,6X14		1	
130B	130BB0616	BOLT-FLANGED,6X16		1	
132	132BA0610	BOLT-FLANGED-SMALL,6X10		1	



This catalog covers:

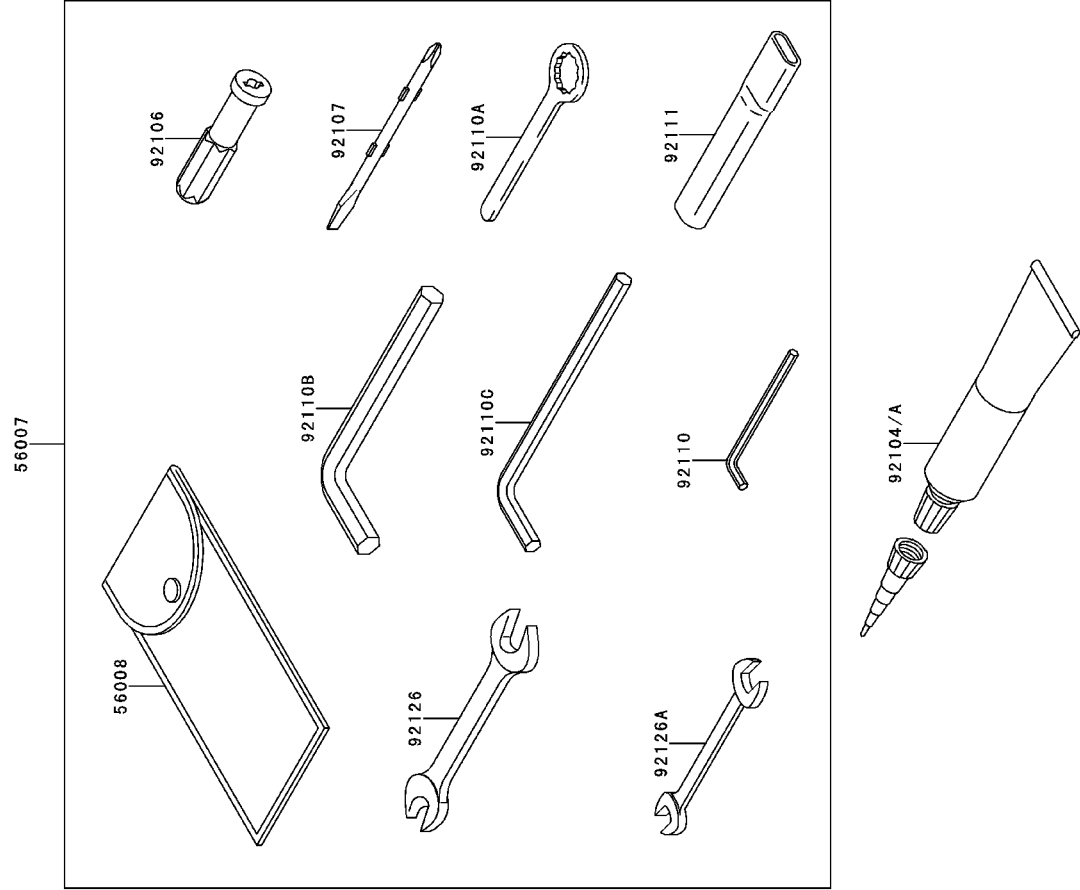
'14 ZX100MEF Chassis

GRID NO. This grid covers:

G-10 Owner's Tools

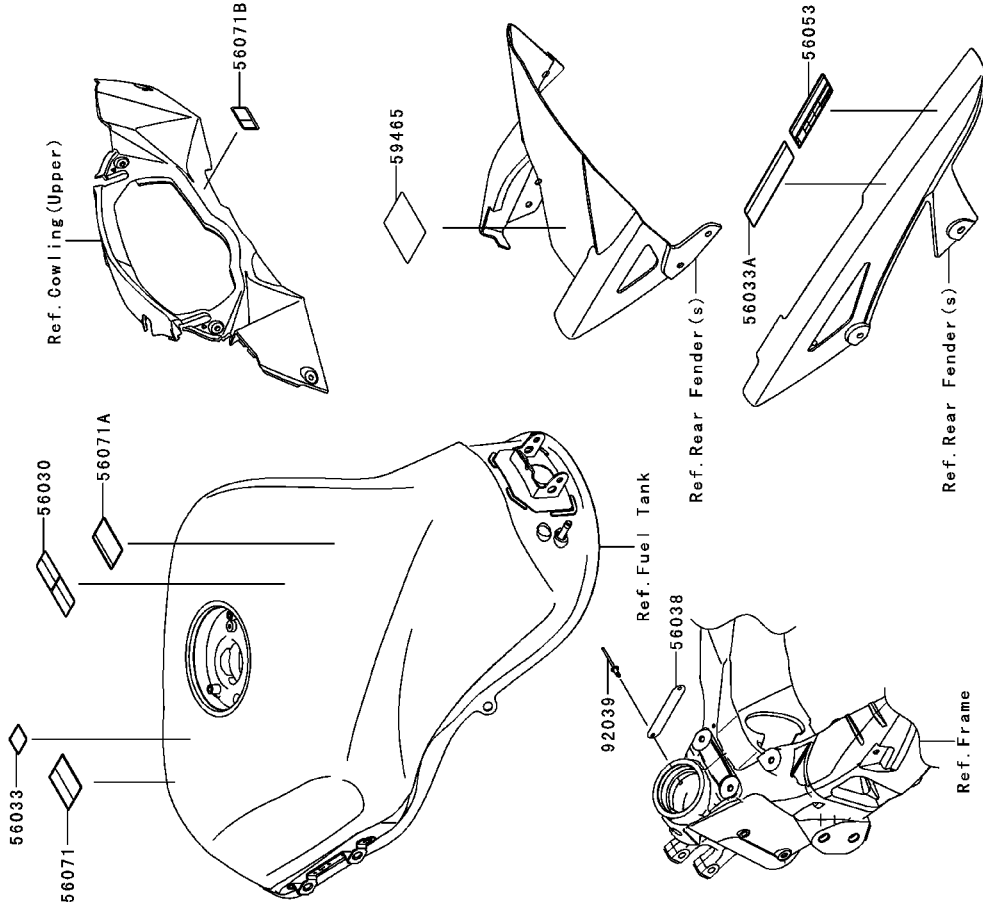
F2810

Ref. No.	Part No.	Description	Spec Code	Quantity-ZX1000	
				'14	MEF
56007	56007-0121	TOOL-KIT			
56008	56008-0045	BAG			
92104	92104-1064	GASKET-LIQUID,TB1216B,BLACK			
92104A	92104-2068	GASKET-LIQUID,TB1207B,BLACK			
92106	92106-1001	GRIP-SCREW DRIVER			
92107	92107-1051	TOOL-DRIVER,#2PHILLIPS&SLOT			
92110	92110-0001	TOOL-WRENCH ALLEN,5MM			
92110A	92110-0060	TOOL-WRENCH,BOX END,19MM			
92110B	92110-1104	TOOL-WRENCH,ALLEN,12MM			
92110C	92110-1108	TOOL-WRENCH,ALLEN,8MM			
92111	92111-1051	TOOL-BAR,BOX END WRENCH			
92126	92126-003	TOOL-WRENCH,OPEN END,14X17			
92126A	92126-004	TOOL-WRENCH,OPEN END,8X10			



This catalog covers:

'14 ZX1000MEF Chassis



GRID NO. This grid covers:

G-11 Labels

Ref. No.	Part No.	Description	Spec Code	Quantity-ZX1000	
				'14	MEF
56030	56030-0359	LABEL,GASOLINE			1
56033	56033-0304	LABEL-MANUAL,GASOHOL,95(E10)			1
56033A	56033-0355	LABEL-MANUAL,CHAIN			1
56038	56038-1054	LABEL-BRAND,KAWASAKI			1
56053	56053-0745	LABEL-SPECIFICATION,TIRE&LOAD			1
56071	56071-0023	LABEL-WARNING,HELMET			1
56071A	56071-0161	LABEL-WARNING			1
56071B	56071-0194	LABEL-WARNING,WINDSHIELD			1
59465	59465-1260	LABEL-CERTIFICATION,EVAPO			1
92039	92039-1251	RIVET			2

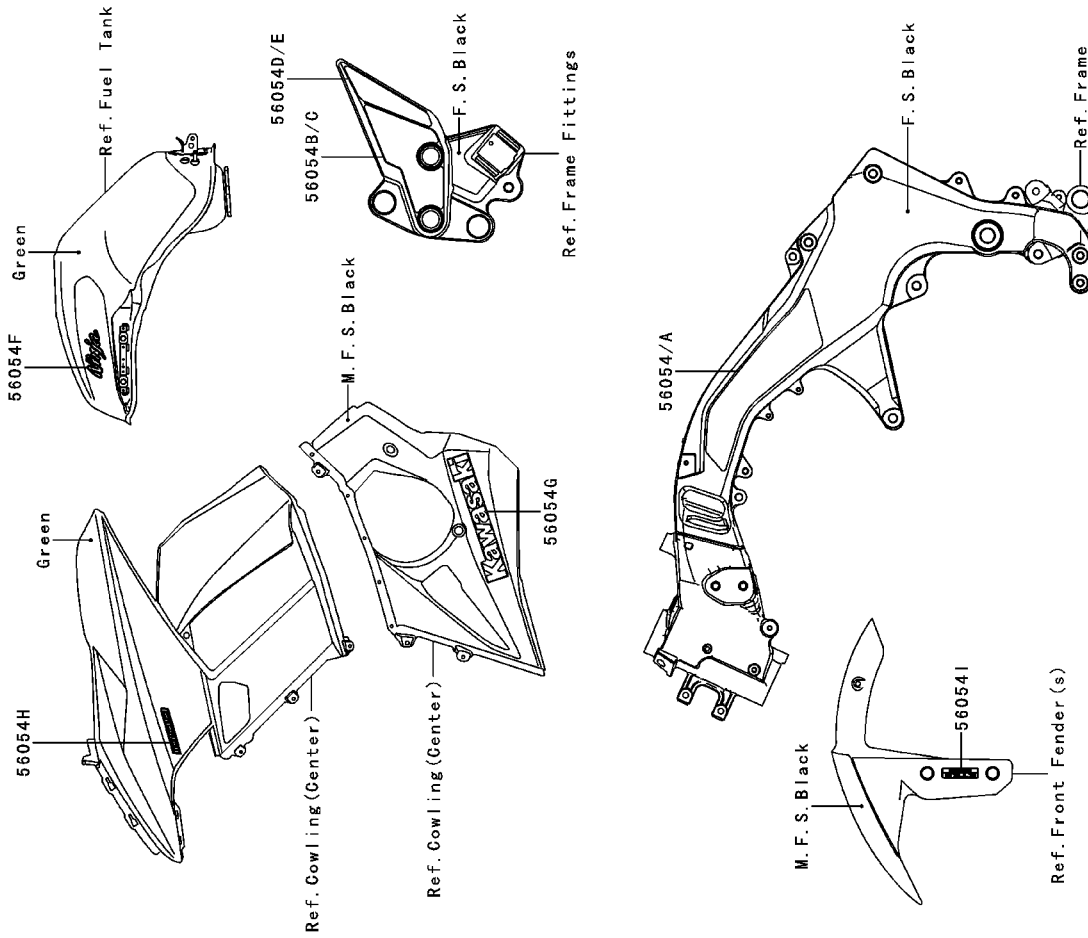
This catalog covers:

'14 ZX1000MEF Chassis

GRID NO. This grid covers:

G-12 Decals

F2881



Ref. No.	Part No.	Description	Spec Code	Quantity-ZX1000	
				'14	MEF
56054	56054-0607	MARK FRAME PAD,LH		1	
56054A	56054-0608	MARK,FRAME PAD,RH		1	
56054B	56054-1247	MARK,STAY,STEP,LH		1	
56054C	56054-1248	MARK,STAY,STEP,RH		1	
56054D	56054-1278	MARK,STAY,STEP,LWR,LH		1	
56054E	56054-1279	MARK,STAY,STEP,LWR,RH		1	
56054F	56054-1348	MARK,FUEL TANK,NINJA		2	
56054G	56054-1350	MARK,LWR COWL.,KAWASAKI		2	
56054H	56054-1353	MARK,SIDE COWL.,1000		2	
56054I	56054-1428	MARK,FR FENDER,KTRC,ABS		2	

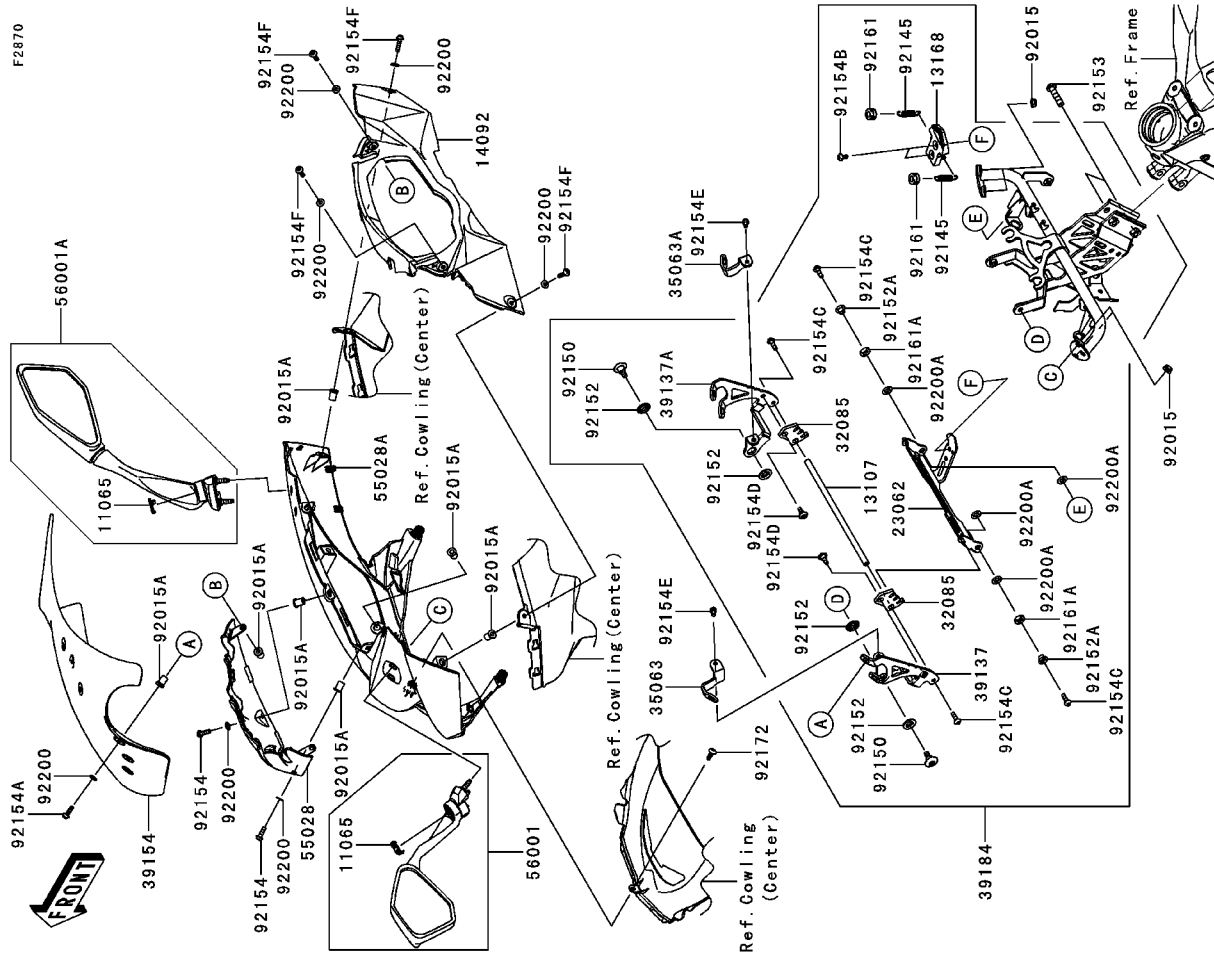
This catalog covers:

'14 ZX100MEF Chassis

GRID NO. This grid covers:

G-13 Cowling(Upper)

F2870



Ref. No.	Part No.	Description	Spec Code	Quantity-ZX1000	
				'14	MEF
11065	11065-0787	CAP		2	
13107	13107-0241	SHAFT		1	
13168	13168-0211	LEVER,ADJUST		1	
14092	14092-0792-6Z	COVER,METER,F.BLACK		1	
23062	23062-0136	BRACKET-COMP		1	
32085	32085-0201	STOPPER		2	
35063	35063-0738	STAY,LH		1	
35063A	35063-0739	STAY,RH		1	
39137	39137-0064	STAY-COMP,LH		1	
39137A	39137-0065	STAY-COMP,RH		1	
39154	39154-0052	WINDSHIELD		1	
39184	39184-0026	BRACKET-ASSY,WINDSHIELD		1	
55028	55028-0353-6Z	COWLING,CNT,F.BLACK		1	
55028A	55028-0507-17P	COWLING,UPP,C,L.GREEN		1	
56001	56001-0259	MIRROR-ASSY,LH		1	
56001A	56001-0260	MIRROR-ASSY,RH		1	
92015	92015-1233	NUT,FLANGED,6MM,BLACK		4	
92015A	92015-1757	NUT,WELL,5MM		12	
92145	92145-0805	SPRING		2	
92150	92150-1154	BOLT,SOCKET,6MM		2	
92152	92152-0913	COLLAR,10X20X3.75		4	
92152A	92152-1506	COLLAR,5.6X8X7.8		2	
92153	92153-0419	BOLT,SOCKET,8X35		2	
92154	92154-0026	BOLT,SOCKET,5X16		2	
92154A	92154-0209	BOLT,SOCKET,5X16		6	
92154B	92154-0211	BOLT,SOCKET,5X10		2	
92154C	92154-0287	BOLT,SOCKET,5X16		4	
92154D	92154-0427	BOLT,SOCKET,5X14		2	
92154E	92154-0503	BOLT,SOCKET,5X12		2	
92154F	92154-0829	BOLT,SOCKET,5X20		4	
92161	92161-0056	DAMPER		2	
92161A	92161-0998	DAMPER,8.2X15X3		2	
92172	92172-0238	SCREW,TAPPING,5X16		1	
92200	92200-0006	WASHER,NYLON,5.3X11.5X0.5		12	
92200A	92200-0742	WASHER,8.2X15X1		4	

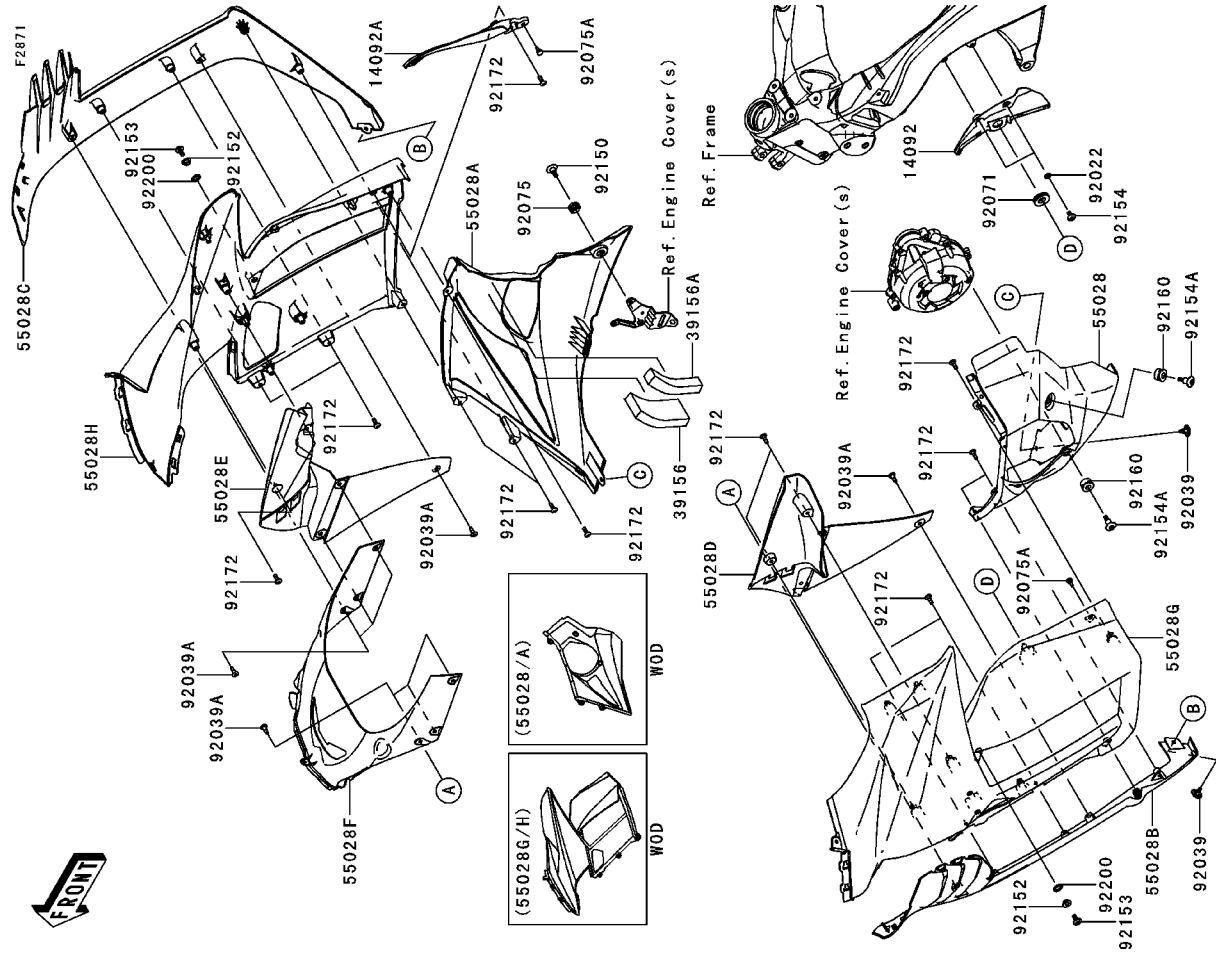
This catalog covers:

'14 ZX100MEF Chassis

GRID NO. This grid covers:

G-14 Cowling(Center)

Ref. No.	Part No.	Description	Spec Code	Quantity-ZX1000	
				'14	MEF
14092	14092-0250	COVER,LH		1	
14092A	14092-0251	COVER,RH		1	
39156	39156-0708	PAD,20X120X50		1	
39156A	39156-0736	PAD,20X140X15		1	
55028	55028-0346-739	COWLING,LWR,LH,M,F,S,BLACK		1	
55028A	55028-0347-739	COWLING,LWR,RH,M,F,S,BLACK		1	
55028B	55028-0348-6Z	COWLING,SLAT,LH,F,BLACK		1	
55028C	55028-0349-6Z	COWLING,SLAT,RH,F,BLACK		1	
55028D	55028-0350	COWLING,INNER,LH		1	
55028E	55028-0351	COWLING,INNER,RH		1	
55028F	55028-0352	COWLING,FR		1	
55028G	55028-0386-17P	COWLING,SIDE,LH,C,L,GREEN		1	
55028H	55028-0387-17P	COWLING,SIDE,RH,C,L,GREEN		1	
92022	92022-1521	WASHER,NYLON,5.3X11.5X1.5		2	
92039	92039-0014	RIVET,HOLE 8MM		2	
92039A	92039-0068	RIVET		8	
92071	92071-1043	GROMMET		1	
92075	92075-1634	DAMPER		1	
92075A	92075-1808	DAMPER		2	
92150	92150-1154	BOLT, SOCKET,6MM		1	
92152	92152-1511	COLLAR,6.5X10X6.2		2	
92153	92153-1021	BOLT, SOCKET,6X14		2	
92154	92154-0026	BOLT, SOCKET,5X16		2	
92154A	92154-0348	BOLT,6X24		2	
92160	92160-1141	DAMPER		2	
92172	92172-0238	SCREW,TAPPING,5X16		15	
92200	92200-0380	WASHER,10.3X17X1		2	



This catalog covers:

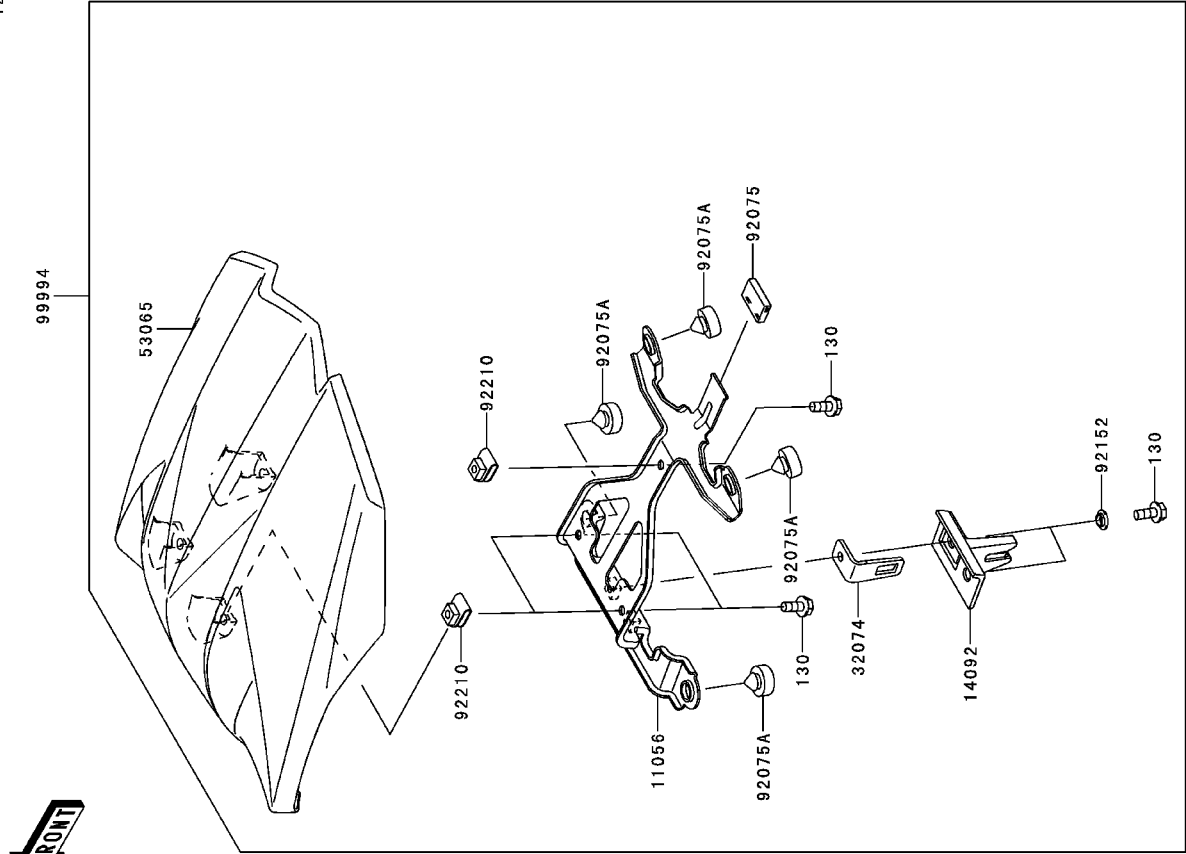
'14 ZX100MEF Chassis

GRID NO. This grid covers:

H-3 Accessory(Single Seat Cover)

F2910

Ref. No.	Part No.	Description	Spec Code	Quantity-ZX1000	
				'14	MEF
11056	11056-2436	BRACKET			1
14092	14092-0248	COVER			1
32074	32074-0017	BRACKET-LOCK			1
53065	53065-0019-17P	COVER SEAT,C.L.GREEN			1
92075	92075-1446	DAMPER			1
92075A	92075-1927	DAMPER			4
92152	92152-0250	COLLAR			2
92210	92210-0277	NUT,6MM			3
99994	99994-0393-17P	KIT,SINGLE SEAT,C.L.GREEN			1
130	130BA0614	BOLT-FLANGED,6X14			5



This catalog covers:

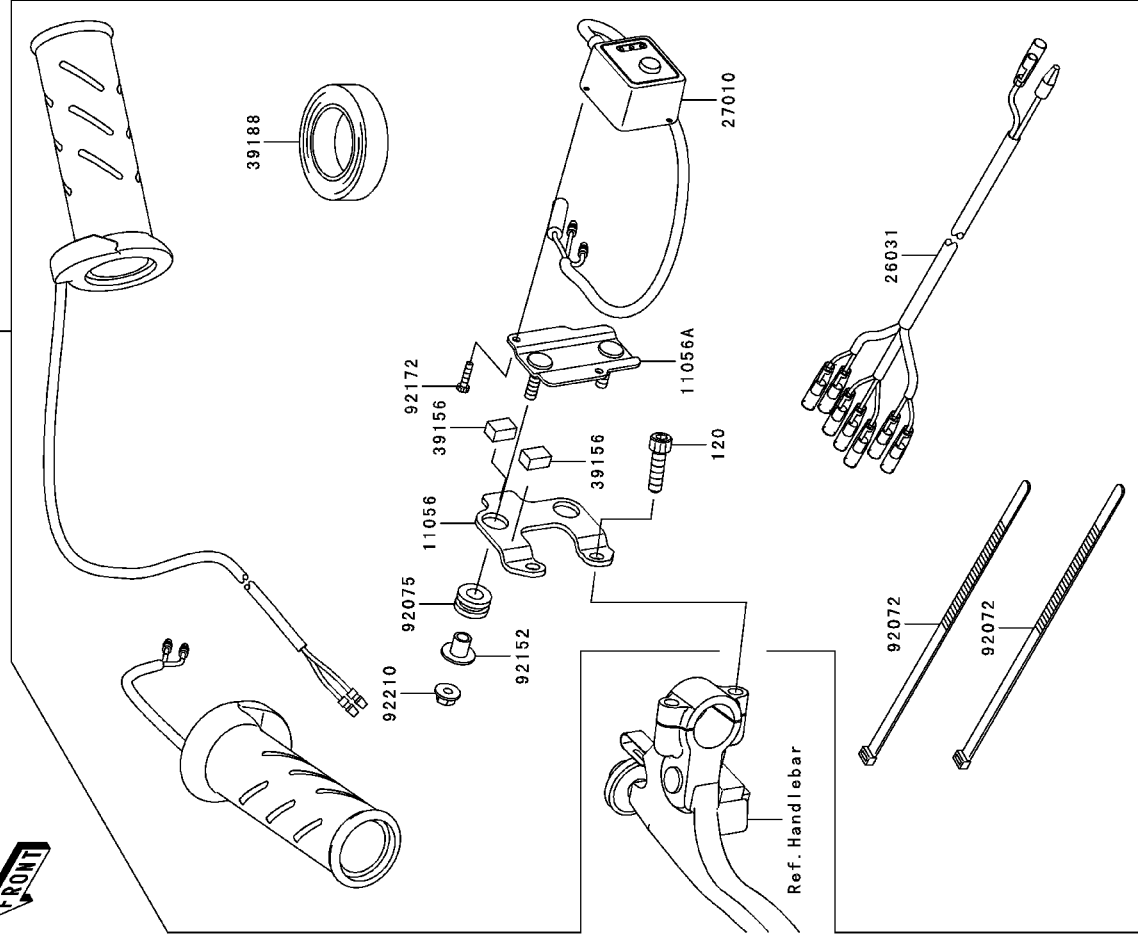
'14 ZX1000MEF Chassis

GRID NO. This grid covers:

H-4 Accessory(Grip Heater)

F2910A

99994



Ref. No.	Part No.	Description	Spec Code	Quantity-ZX1000	
				'14	MEF
11056	11056-2700	BRACKET		1	
11056A	11056-2701	BRACKET		1	
26031	26031-1203	HARNESS		1	
27010	27010-0126	SWITCH, HEATED-GRIP, HONDA-ACCESS PAD		1	
39156	39156-1740	DAMPER		2	
39188	39188-0006	TAPE, HARNESS		1	
92072	92072-1195	BAND, L=202		2	
92075	92075-1912	DAMPER		2	
92152	92152-0134	COLLAR		2	
92172	92172-0489	SCREW, TAPPING, 3X12		2	
92210	92210-0007	NUT, FLANGED, 5MM		2	
99994	99994-0408	KIT-ACCESSORY, HEAT GRIP		1	
120	120CA0622	BOLT-SOCKET, 6X22		2	

This catalog covers:

'14 ZX100MEF

GRID NO. This grid covers:

L-12

Numerical Parts Index

Part No.	Grid No.	Part No.	Grid No.	Part No.	Grid No.	Part No.	Grid No.	Part No.	Grid No.	Part No.	Grid No.
11004-0084	B-3	11061-0405	B-6	130BA0610	G-8	13262-0778	B-13	16085-0609	D-3	23037-0184	G-7
11005-0627	B-5	11061-0406	B-6	130BA0612	C-11	13262-0779	B-13	16097-0008	C-12	23037-0185	G-7
11008-0804	B-3	11061-0424	B-6	130BA0612	F-5	13262-0780	B-13	16115-1053	C-6	23040-0099	G-7
11009-1145	D-5	11061-0726	B-7	130BA0612	G-9	13262-0891	B-13	16126-0031	F-11	23040-0100	G-7
11010-0785	B-6	11061-0914	B-4	130BA0614	E-6	13262-0993	B-13	16126-0038	B-6	23062-0136	G-13
11012-1084	D-5	11065-0328	B-4	130BA0614	H-3	13262-0994	B-13	16126-0705	C-11	23062-0784	G-9
11012-1761	F-11	11065-0372-11G	F-11	130BA0616	E-6	13262-1109	B-13	16126-1140	E-13	23062-0785	E-5
11013-0738	B-6	11065-0374	F-9	130BA0622	F-12	13272-0698	C-4	16142-1058	C-12	23062-0811	G-8
11054-1762	G-6	11065-0787	G-13	130BA0630	C-13	13272-0699	C-4	16142-0064	C-12	23062-0814	F-8
11054-1904	G-9	11065-0815	B-6	130BB0510	E-4	13272-0859	C-6	16142-0703	C-12	23062-0823	F-8
11055-1785	F-8	12004-0707	B-8	130BB0520	F-6	13280-1160	F-10	16154-0057	C-12	236AB0410	F-10
11055-1951	E-5	12005-0054	B-8	130BB0612	G-3	132BA0610	F-8	16160-0702	C-12	25009-004	G-6
11056-0124	C-10	12009-1091	B-8	130BB0614	G-8	132BA0610	G-8	16163-0806	C-8	25023-0089	F-14
11056-0169	E-5	12011-1053	B-8	130BB0616	G-8	132BA0612	C-12	16164-0009	C-11	25031-0479	F-14
11056-0230	D-4	12021-0016	B-4	130BB0630	B-6	132BA0616	E-6	18091-0926	B-7	26006-0001	D-3
11056-0263	F-6	12032-0009	B-8	130BB0670	F-12	132BA0620	F-8	18091-0927	B-7	26006-0001	G-8
11056-0264	G-9	12046-0564	B-9	130CC0616	D-4	132BA0625	F-8	180BA0510	D-3	26006-0020	G-8
11056-0324	B-9	12048-0080	B-9	13102-0038	B-12	132BA0630	B-9	21003-0122	C-13	26006-0052	G-8
11056-0358	E-5	12053-0161	B-9	13107-0157	B-9	132BA0816	E-6	21007-0135	C-13	26006-0055	G-8
11056-0359	E-5	12053-0162	B-9	13107-0214	C-12	132BB0625	F-5	21007-0141	F-9	26006-1080	D-3
11056-0551	E-4	12053-0163	B-9	13107-0241	G-13	132BC0660	C-12	21007-0166	F-7	26006-1080	G-8
11056-0787	C-6	120CA0525	C-10	13107-1376	B-9	14001-0612	C-4	21007-0579	C-14	26011-0252	G-8
11056-0788	C-6	120CA0620	F-10	13107-1377	D-3	14013-1051	C-4	21007-0072	G-9	26011-0275	G-8
11056-1084	G-9	120CA0622	H-4	13127-0073	B-13	14014-0036	C-4	21066-0720	C-13	26011-0820	D-3
11056-1091	C-6	120CA0635	E-8	13128-0094	B-13	14026-0093	C-6	21163-0735	D-3	26011-0822	G-8
11056-1914	E-8	120CA0830	F-10	13140-0061	F-10	14031-0131	C-6	21171-0033	C-14	26012-0556	G-8
11056-2432-18R	E-3	120CB0510	D-3	13140-0062	B-14	14032-0589	C-6	21175-0859	C-10	26031-1203	H-4
11056-2433-18R	E-3	13144-0070	F-6	13144-0070	B-13	14073-0722	B-6	21176-0009	C-10	26031-1674	C-10
11056-2434	G-8	120CB0820	F-9	13145-0048	B-14	14073-0768	B-6	21176-0026	C-10	26031-1706	G-8
11056-2436	H-3	13001-0114	B-5	13151-1085	B-14	14075-0028	D-5	21176-0048	C-10	27002-0006	G-8
11056-2477	G-9	13002-0004	B-5	13159-0008	F-8	14091-1739	F-14	21176-0111	C-8	27002-0007	G-8
11056-2656	E-11	13008-0049	B-5	13159-1061	F-6	14091-1771	B-4	21176-0132	C-10	27003-0075	G-8
11056-2700	H-4	13031-0710	B-10	13161-0557	C-3	14092-0001	C-6	21176-0754	F-6	27005-0589	G-9
11056-2701	H-4	13041-0040	B-11	13168-0115	B-11	14092-0032	C-6	21176-0755	F-9	27008-0558	G-9
11056-2770	D-3	13042-0709	E-5	13168-0211	G-13	14092-0109	D-3	21176-0774	F-9	27010-0025	F-6
11056-2987	C-11	13042-0710	F-10	13183-1460	D-3	14092-0161-6Z	F-12	21181-0010	G-9	27010-0112	G-9
11056-2988	C-11	13045-1057	B-6	13187-0019	B-12	14092-0162-6Z	F-12	220AB0522	F-10	27010-0113	D-3
11056-2992	G-8	13087-0051	B-12	13194-1096	D-3	14092-0175	C-6	220AB0525	F-10	27010-0126	H-4
11056-3781	E-4	13088-0049	B-12	13216-0020	C-12	14092-0248	H-3	220AB0535	F-10	27010-0717	F-10
11056-3890	E-5	13088-0052	B-12	13234-0038	B-11	14092-0250	G-14	224AB0408	G-7	27010-0749	G-9
11056-3924	G-8	13089-0008	B-12	13236-0068	C-3	14092-0251	G-14	225AB0412	F-8	27010-1313	C-4
11060-1103	B-7	13089-0009	B-12	13236-0103	F-6	14092-0792-6Z	G-13	23007-0102	G-7	27016-1115	G-9
11060-1180	F-11	13089-1093	B-12	14036-1098	C-3	16007-0034	B-8	23007-0103	G-5	27016-5381	G-9
11061-0029	F-7	13091-1624	F-10	13236-0741	F-4	16014-0002	C-8	23007-0144	G-5	27048-5042	G-9
11061-0104	B-4	13091-1884	D-3	13239-0034	B-14	16021-0026	C-8	23008-0109	G-7	28011-0605	F-14
11061-0107	C-12	13095-0572	B-12	13242-0059	C-3	16021-0026	C-8	23008-0125	G-7	28012-1077	G-9
11061-0204	F-9	130BA0510	C-11	13251-0027-HH	B-10	16085-0067	B-3	23016-0561	G-6	31064-0199	C-8
11061-0402	C-6	130BA0512	C-14	13262-0753	B-13	16073-3707	C-8	23017-1067	G-5	32033-1535	C-12
11061-0403	B-5	130BA0525	B-13	13262-0755	B-13	16082-0724	F-5	23025-0331	G-6	32043-0583-18R	E-12
11061-0404	C-6	130BA0608	F-5	13262-0757	B-13	16085-0134	B-11	23026-0015	G-6	32052-0719	E-5

This catalog covers:

'14 ZX100MEF

GRID NO. This grid covers:

L-13 Numerical Parts Index

Part No.	Grid No.	Part No.	Grid No.	Part No.	Grid No.	Part No.	Grid No.	Part No.	Grid No.	Part No.	Grid No.
32052-0749-18R	F-12	39137-0064	G-13	43015-0141	F-6	44028-1083	F-11	49118-0144	B-9	56054-1102	G-9
32074-0017	H-3	39137-0065	G-13	43015-0596	F-8	44037-0140-18R	F-11	49118-0782	B-9	56054-1247	G-12
32085-0047	E-9	39154-0052	G-13	43020-0010	F-8	44039-0105-18R	F-11	51044-0088	C-9	56054-1248	G-12
32085-0201	G-13	39156-0660	E-5	43020-1057	F-8	44045-051	F-11	51049-0039	F-12	56054-1278	G-12
32097-0042	E-5	39156-0661	E-5	43020-1119	F-8	44065-0030	F-11	51088-5244-17P	F-12	56054-1279	G-12
32099-0049	F-10	39156-0703	F-12	43026-0009	F-8	44065-0036	F-11	52005-1120	C-6	56054-1348	G-12
32160-0689	E-3	39156-0704	F-12	43026-1051	F-6	44071-0900-39F	F-11	53003-0207-MA	F-13	56054-1350	G-12
32160-0690-18R	E-3	39156-0708	G-14	43027-1051	F-6	44071-0901-39F	F-11	53003-0379-MA	F-13	56054-1353	G-12
32190-0458-18R	E-4	39156-0728	B-7	43027-1053	F-8	45014-0457-37R	E-8	53004-0560	E-5	56054-1428	G-12
32190-0582	E-4	39156-0729	B-7	43028-1057	F-6	46003-0602	F-10	53044-0001	G-8	56071-0023	G-11
32190-0583	E-4	39156-0736	G-14	43028-1065	F-8	46003-0611	F-10	53044-0018	E-11	56071-0161	G-11
32190-0648-18R	E-4	39156-0736	G-5	43034-0056	F-6	46012-0090-18R	F-10	53044-0565	E-5	56071-0194	G-11
32190-0649-18R	E-4	39156-0748	E-11	43034-0098	F-9	46012-0091-18R	F-10	53044-1296	F-12	59026-0034	C-14
33001-0607-18R	E-7	39156-0749	E-11	43044-0033	F-9	46019-0020	F-10	53065-0019-17P	H-3	59051-0741	D-3
33032-0013	E-7	39156-0749	E-5	43048-0023	F-7	46075-0068	F-10	53066-0400-MA	F-13	59071-0014	C-8
34024-0123-18R	E-12	39156-0752	E-5	43048-0024	F-7	46075-0097	E-5	53066-0401-MA	F-13	59071-3752	C-8
34028-0127	E-9	39156-1740	H-4	43049-0012	F-7	46075-0098	E-5	54010-0135	G-3	59256-0555	C-12
34028-0128	E-9	39156-1766	G-8	43049-0013	F-7	46076-0078	F-10	54011-0578	G-3	59465-1260	G-11
34028-0133	E-9	39156-1770	F-12	43049-1068	F-7	46091-0185	F-10	54012-0566	G-3	59502-0567	D-4
34028-0314	E-9	39156-1775	D-4	43049-1097	F-9	46091-0285	F-10	55020-0568	B-7	600A0500	B-13
34028-0315	E-9	39156-1780	E-5	43049-1107	F-7	46092-0006	F-10	55020-0903	E-7	600A0800	E-9
35004-0310-739	E-10	39156-1781	F-12	43056-0007	F-7	46102-0083	B-12	55020-0904	B-7	601B6004UU	E-14
35015-0032	E-11	39156-1821	E-11	43056-0007	F-9	461D80500	D-3	55028-0346-739	G-14	601B6205UU	F-3
35019-0585	E-11	39178-0204	B-7	43056-1056	F-6	480J1100	C-12	55028-0347-739	G-14	601B6304UU	F-3
35019-0586	E-11	39184-0026	G-13	43057-0003	F-7	480J1400	C-3	55028-0348-6Z	G-14	610A0406	B-14
35023-0376	E-11	39188-0006	H-4	43057-0003	F-9	482EA0100	E-9	55028-0349-6Z	G-14	610A0410	B-11
35023-0381	E-11	39192-0116	D-5	43057-1001	F-6	482EA5000	E-9	55028-0350	G-14	670B2020	C-6
35063-0726-18R	E-5	39192-0136	G-8	43078-0060	F-8	482J0200	C-3	55028-0351	G-14	670D1505	C-4
35063-0738	G-13	39193-0054	C-4	43078-0566	D-5	49002-0009	B-3	55028-0352	G-14	670D1509	B-9
35063-0739	G-13	41009-0545	E-13	43078-1099	F-6	49006-1054	F-9	55028-0353-6Z	G-13	670D2014	B-9
35063-0761	D-4	41009-0546	E-13	43080-0103-DJ	F-9	49006-1095	F-9	55028-0386-17P	G-14	670D2014	C-7
35063-0905-18R	E-5	41068-0038	E-14	43080-0136-DJ	F-7	49006-1212	F-9	55028-0387-17P	G-14	670E5075	C-9
35063-0906-18R	E-5	41068-1354	F-3	43080-0137-DJ	F-7	49016-0062	G-5	55028-0507-17P	G-13	671B2560	F-3
35063-0907-18R	E-5	41073-0607-QT	F-3	43082-0119	F-9	49016-0082	D-4	550AA2015	F-4	92001-1342	D-5
36014-0029	E-11	41073-0608-QT	E-14	43082-0144	F-7	49016-0614	D-4	550AA2015	F-8	92001-1342	D-5
36040-0144-17P	G-4	41075-0007	E-13	43084-003	F-9	49016-0615	D-4	551A0408	C-12	92001-1464	F-11
39007-0156-458	E-8	41075-0008	E-13	43085-0366	F-6	49016-1147	F-6	551A0814	C-6	92001-1771	E-7
39060-0081	D-4	41075-0009	E-13	43095-0010	F-8	49034-0048	C-8	56001-0259	G-13	92002-1086	D-4
39062-0308	D-5	41080-0089	F-9	43095-0723	F-5	49040-0727	C-7	56001-0260	G-13	92002-1154	C-12
39062-0309	D-5	41080-0565-5C	F-7	43095-0784	F-5	49040-0727	C-9	56007-0121	G-10	92002-1323	F-6
39062-0310	D-5	411AB1000	E-4	43095-0785	F-8	49047-0023	B-14	56008-0045	G-10	92002-1796	C-6
39062-0312	D-5	42033-0028	F-3	43095-0786	F-8	49054-0004	D-5	56030-0359	G-11	92004-0028	F-3
39062-0313	D-5	42036-0069	E-7	43095-0787	F-5	49056-0014	C-8	56030-0830	G-8	92004-0049	B-3
39062-0314	D-5	42036-1153-KX	E-7	43095-0811	F-8	49063-1055	C-12	56030-0832	G-8	92005-0076	D-5
39062-0344	D-5	42036-1251	F-3	44008-0053-11G	F-11	49065-0026	C-12	56033-0304	G-11	92005-0721	C-11
39062-1700	D-5	42036-1265-KX	E-7	44013-0223	F-11	49078-0073	B-8	56033-0355	G-11	92005-0753	C-11
39062-1873	D-5	42036-1342	E-8	44013-0224	F-11	49085-1066	D-5	56038-1054	G-11	92005-1238	C-4
39068-0704	D-5	42041-0095	F-3	44023-0117	F-11	49091-0001	F-5	56053-0745	G-11	92005-1273	B-3
39110-0033	C-3	43007-0016-18R	F-4	44023-0118	F-11	49091-0001	F-8	56054-0607	G-12	92009-1158	G-7
39111-0069-18R	E-8	43010-1062	F-8	44026-0153	F-11	49106-0710	B-7	56054-0608	G-12	92009-1257	F-10

This catalog covers:

'14 ZX1000MEF

GRID NO. This grid covers:

L-14 Numerical Parts Index

Part No.	Grid No.	Part No.	Grid No.	Part No.	Grid No.	Part No.	Grid No.	Part No.	Grid No.	Part No.	Grid No.
92009-1391	F-14	92033-1156	F-3	92046-1303	B-13	92069-0020	G-7	92139-0122	B-10	92151-1605	F-12
92009-1404	F-9	92033-1186	F-6	92048-0016	B-13	92069-0046	G-7	92139-0123	B-10	92151-1605	F-5
92009-1570	F-6	92033-1186	F-8	92048-0018	D-3	92069-0053	G-5	92139-0124	B-10	92151-1624	D-3
92009-1884	C-10	92033-1222	F-11	92049-0022	E-3	92069-1016	G-5	92139-0217	B-10	92151-1626	C-13
92009-1984	E-11	92033-1249	B-13	92049-0125	F-11	92069-1016	G-6	92139-0218	B-10	92151-1654	B-7
92015-1180	E-4	92037-010	C-13	92049-0723	F-3	92070-0014	C-14	92139-0219	B-10	92151-1654	E-10
92015-1189	E-8	92037-010	F-12	92049-0742	E-3	92071-0031	D-3	92139-0278	F-9	92151-1654	F-9
92015-1233	G-13	92037-147	C-11	92049-1057	E-14	92071-0056	B-9	92139-0280	B-13	92151-1654	G-3
92015-1233	C-13	92037-147	C-11	92049-1223	E-8	92071-1043	G-14	92139-0281	B-13	92151-1764	D-5
92015-1311	B-10	92037-1505	D-5	92049-1287	F-3	92071-1187	B-7	92143-1057	D-5	92151-1829	B-9
92015-1367	C-11	92037-1712	B-6	92049-1314	E-7	92072-071	E-5	92143-1595	C-3	92151-1873	C-6
92015-1415	F-4	92037-1712	C-11	92049-1336	C-12	92072-1195	H-4	92144-1423	D-3	92151-1899	E-7
92015-1487	D-4	92037-2014	G-8	92049-1349	B-8	92072-3768	G-9	92144-1523	C-3	92151-1930	B-11
92015-1528	F-6	92038-1060	C-13	92049-1352	E-7	92075-005	C-6	92144-1831	F-9	92151-1930	B-9
92015-1555	B-12	92039-0014	D-4	92049-1474	C-4	92075-1123	D-4	92144-1854	B-12	92151-1997	D-5
92015-1700	E-11	92039-0014	G-14	92049-1475	C-6	92075-1446	H-3	92145-0325	B-12	92152-0017	F-6
92015-1757	G-13	92039-0060	E-11	92049-1520	C-4	92075-161	F-6	92145-0360	E-9	92152-0087	E-14
92015-1757	G-14	92039-0068	E-11	92049-2204	B-11	92075-1634	F-13	92145-0562	E-12	92152-0092	G-6
92015-1757	G-6	92039-0705	E-10	92055-0013	D-3	92075-1634	G-14	92145-0580	F-7	92152-0103	F-10
92015-1792	E-7	92039-0730	D-4	92055-0016	C-10	92075-1690	F-12	92145-0736	B-12	92152-0118	F-3
92015-1963	B-13	92039-1251	G-11	92055-0064	C-8	92075-1808	G-14	92145-0760	F-9	92152-0134	C-10
92022-077	C-12	92042-007	B-3	92055-0114	D-5	92075-1898	E-4	92145-0761	G-9	92152-0134	H-4
92022-116	B-12	92042-007	C-6	92055-0131	F-11	92075-1912	F-11	92145-0764	F-4	92152-0154	E-7
92022-112	B-13	92042-030	C-12	92055-0199	C-6	92075-1912	H-4	92145-0805	G-13	92152-0250	H-3
92022-1160	E-11	92043-0104	F-8	92055-0739	D-5	92075-1927	H-3	92145-1122	C-3	92152-0263	F-11
92022-1521	F-12	92043-1037	C-4	92055-0741	F-6	92075-277	C-13	92145-1286	F-10	92152-0286	B-7
92022-1521	G-14	92043-1262	C-12	92055-0741	F-8	92081-1708	C-3	92145-1319	E-9	92152-0310	E-14
92022-1521	F-3	92043-1263	C-12	92055-0785	B-4	92081-1737	F-8	92150-1090	F-10	92152-0547	B-6
92022-1618	G-4	92043-1263	C-6	92055-086	B-9	92092-0554	E-5	92150-1154	G-13	92152-0667	D-4
92022-1628	C-3	92043-1263	C-7	92055-1262	D-3	92092-1018	E-5	92150-1154	G-14	92152-0679	F-7
92022-1868	B-12	92043-1264	B-3	92055-1455	D-3	92092-1081	B-7	92150-1156	E-5	92152-0812	B-13
92022-289	B-7	92043-1264	C-4	92055-1503	C-12	92092-1087	B-7	92150-1186	D-4	92152-0853	E-4
92022-326	F-4	92043-1489	F-9	92055-1536	B-3	92093-0035	F-11	92150-1216	B-10	92152-0876	F-3
92025-1137	B-12	92043-1594	E-9	92055-1571	C-12	92093-1030	F-12	92150-1251	C-5	92152-0892	F-3
92026-0082	B-11	92043-1595	E-9	92055-1622	C-8	92104-1064	G-10	92150-1339	E-5	92152-0913	G-13
92026-022	B-12	92043-1690	C-4	92055-1699	D-5	92104-2068	G-10	92150-1368	B-3	92152-0980	E-5
92026-1276	F-11	92043-1709	F-7	92055-3018	C-12	92106-1001	G-10	92150-1483	C-5	92152-1074	G-9
92026-1497	B-12	92043-4009	B-4	92057-0202	B-9	92107-1051	F-11	92150-1512	F-11	92152-1167	B-9
92027-1651	C-13	92045-0003	B-13	92057-0203	F-3	92110-0001	G-10	92150-1514	F-11	92152-1182	F-12
92027-1810	F-3	92045-0017	E-7	92058-0027	F-3	92110-0060	G-10	92150-1598	F-4	92152-1234	E-7
92028-1739	B-13	92045-1045	B-14	92065-058	B-14	92110-1104	G-10	92150-1694	G-5	92152-1255	G-5
92028-1915	B-13	92045-1384	E-3	92065-097	C-7	92110-1108	G-10	92150-1771	F-7	92152-1363	C-3
92033-0034	F-6	92046-0008	E-7	92066-0003	C-4	92111-1051	G-10	92150-1771	F-9	92152-1506	G-13
92033-0079	F-8	92046-0034	C-6	92066-0016	B-3	92126-003	G-10	92150-1794	C-5	92152-1511	G-14
92033-015	B-13	92046-0043	C-4	92066-0032	F-11	92126-004	G-10	92151-1135	C-6	92152-1628	E-8
92033-026	B-13	92046-1052	B-12	92066-0071	E-3	92139-0023	C-7	92151-1225	C-7	92152-1629	E-5
92033-1041	E-7	92046-1219	B-13	92066-0158	C-4	92139-0032	B-10	92151-1226	C-3	92152-1740	D-5
92033-1043	F-3	92046-1263	B-11	92066-1012	C-4	92139-0033	B-10	92151-1289	F-9	92152-1782	E-5
92033-1054	B-5	92046-1266	B-11	92066-1110	C-4	92139-0034	B-10	92151-1523	F-10	92152-1828	F-12
92033-1102	E-5	92046-1273	E-8	92066-1174	C-7	92139-0067	B-12	92151-1539	C-5	92152-1847	F-12

This catalog covers:

'14 ZX1000MEF

GRID NO. This grid covers:

L-15 Numerical Parts Index

Part No.	Grid No.	Part No.	Grid No.	Part No.	Grid No.	Part No.	Grid No.	Part No.	Grid No.	Part No.	Grid No.
92152-1866	F-9	92154-0211	G-13	92161-0070	C-12	92171-0921	F-9	92173-1273	C-11	92200-0165	G-7
92153-0381	C-4	92154-0248	C-5	92161-0117	G-9	92171-1283	C-10	92180-1014	B-8	92200-0174	C-3
92153-0393	F-8	92154-0259	E-4	92161-0118	G-9	92171-1722	G-8	92180-1016	B-8	92200-0212	G-9
92153-0406	B-3	92154-0262	E-8	92161-0283	G-8	92171-1819	F-6	92180-1018	B-8	92200-0228	B-13
92153-0419	G-13	92154-0263	E-8	92161-0308	B-7	92171-1819	F-9	92180-1020	B-8	92200-0257	B-3
92153-0421	C-3	92154-0264	E-8	92161-0306	B-7	92172-0003	G-8	92180-1022	B-8	92200-0265	C-3
92153-0446	C-3	92154-0267	E-4	92161-0317	G-6	92172-0064	C-8	92180-1024	B-8	92200-0279	F-4
92153-0447	C-5	92154-0268	E-4	92161-0342	F-3	92172-0183	F-10	92180-1026	B-8	92200-0369	C-13
92153-0474	E-3	92154-0287	G-13	92161-0356	C-10	92172-0238	G-13	92180-1028	B-8	92200-0380	G-14
92153-0488	E-4	92154-0292	F-13	92161-0418	F-11	92172-0238	G-14	92180-1030	B-8	92200-0410	C-12
92153-0500	F-11	92154-0293	F-4	92161-0663	E-5	92172-0238	G-7	92180-1032	B-8	92200-0520	B-13
92153-0537	F-11	92154-0299	C-4	92161-0673	C-8	92172-0265	C-6	92180-1034	B-8	92200-0521	B-13
92153-0549	C-14	92154-0312	E-4	92161-0776	G-6	92172-0343	G-6	92180-1036	B-8	92200-0531	E-7
92153-0578	F-6	92154-0313	E-4	92161-0801	C-4	92172-0441	F-14	92180-1038	B-8	92200-0556	C-5
92153-0627	F-5	92154-0347	C-13	92161-0808	G-6	92172-0481	G-6	92180-1040	B-8	92200-0742	G-13
92153-0627	F-8	92154-0348	G-14	92161-0856	B-7	92172-0483	B-6	92180-1042	B-8	92200-0925	B-3
92153-0656	B-3	92154-0351	B-4	92161-0870	B-7	92172-0489	H-4	92180-1044	B-8	92200-1009	C-12
92153-0702	B-7	92154-0352	B-12	92161-0889	F-13	92172-0600	F-10	92180-1046	B-8	92200-1019	D-3
92153-0802	E-4	92154-0372	C-5	92161-0930	F-13	92172-1072	G-5	92180-1048	B-8	92200-1065	B-13
92153-0816	E-11	92154-0379	E-3	92161-0942	E-5	92173-0037	B-7	92180-1050	B-8	92200-1087	B-6
92153-0817	B-7	92154-0385	F-8	92161-0943	E-5	92173-0086	F-6	92180-1052	B-8	92200-1087	F-12
92153-0868	F-6	92154-0403	D-5	92161-0944	E-5	92173-0088	F-5	92180-1054	B-8	92200-1239	B-13
92153-1021	G-14	92154-0413	B-11	92161-0954	F-13	92173-0115	B-6	92190-1253	B-6	92200-1240	B-13
92153-1045	C-5	92154-0427	G-13	92161-0955	F-13	92173-0127	C-11	92191-0020	C-8	92200-1251	E-10
92153-1295	C-9	92154-0449	E-4	92161-0958	F-12	92173-0127	D-5	92191-0022	C-8	92200-1260	B-12
92153-1417	E-12	92154-0477	B-14	92161-0959	E-6	92173-0127	F-8	92191-0023	C-8	92200-1260	B-12
92153-1423	G-6	92154-0482	C-6	92161-0988	G-13	92173-0170	F-8	92191-1739	F-4	92200-1375	B-13
92153-1440	F-10	92154-0484	C-4	92161-1055	B-11	92173-0221	F-8	92191-1739	F-4	92200-1388	E-10
92153-1442	E-3	92154-0503	G-13	92161-1300	C-3	92173-0229	F-8	92192-0739	C-8	92200-1487	B-12
92153-1462	E-9	92154-0551	G-8	92161-1330	F-12	92173-0245	G-3	92192-0840	C-8	92200-1522	B-13
92153-1505	C-3	92154-0742	E-4	92161-1506	G-9	92173-0245	G-3	92192-0842	C-8	92200-1523	B-13
92153-1518	F-6	92154-0745	E-11	92161-1507	G-9	92173-0246	G-3	92192-0843	C-8	92210-0003	G-9
92153-1554	E-4	92154-0749	E-4	92161-1584	E-6	92173-0737	G-3	92192-0844	B-6	92210-0006	F-10
92153-1616	F-12	92154-0800	E-5	92161-1673	F-5	92173-0742	E-4	92192-0845	B-6	92210-0007	F-6
92153-1621	E-5	92154-0827	E-4	92170-1060	B-6	92173-0799	F-5	92192-0845	B-6	92210-0007	G-9
92153-1624	E-5	92154-0829	G-13	92170-1090	F-6	92173-0868	F-8	92192-1024	F-12	92210-0076	H-4
92153-1637	C-5	92154-0899	E-11	92170-1091	F-6	92173-0970	G-8	92192-1148	C-11	92210-0076	B-7
92153-1660	D-4	92154-0963	B-7	92170-1091	F-8	92173-1055	E-11	92192-1258	C-8	92210-0095	E-3
92153-1675	E-11	92154-1129	G-9	92170-1283	D-5	92173-1055	C-8	92192-1259	C-8	92210-0130	G-5
92153-1779	B-4	92154-1225	D-3	92170-1493	D-5	92173-1096	E-10	92192-1260	C-8	92210-0134	E-7
92153-1890	F-7	92154-1284	D-3	92170-1695	C-11	92173-1097	E-10	92192-1278	C-11	92210-0276	F-3
92153-1930	B-7	92154-1352	E-12	92171-0089	E-4	92173-1099	F-9	92192-1279	C-11	92210-0277	E-11
92153-1956	C-11	92160-1141	G-14	92171-0179	D-5	92173-1144	F-9	92192-1280	C-11	92210-0277	H-3
92154-0026	F-12	92160-1162	B-6	92171-0290	C-6	92173-1156	G-8	92192-1281	C-11	92210-0320	E-7
92154-0026	G-13	92160-1167	F-14	92171-0305	G-8	92173-1189	G-8	92192-1282	C-11	92210-0568	B-7
92154-0026	G-14	92160-1167	G-8	92171-0652	G-8	92173-1201	C-12	92200-0006	G-13	92210-0591	E-4
92154-0026	G-4	92160-1278	C-5	92171-0708	C-6	92173-1229	G-8	92200-0036	E-3	92210-0784	E-12
92154-0031	G-9	92160-1613	F-12	92171-0729	B-3	92173-1240	D-4	92200-0043	E-9	92210-0823	E-3
92154-0205	B-3	92161-0036	E-8	92171-0782	G-3	92173-1242	F-8	92200-0081	C-3	92210-1100	C-3
92154-0209	G-13	92161-0056	G-13	92171-0907	E-7	92173-1248	F-8	92200-0115	C-5	92210-1101	C-3
						92173-1269	G-8	92200-0164	G-7	92210-1139	E-8

This catalog covers:

'14 ZX1000MEF

GRID NO. This grid covers:

L-16

Numerical Parts Index

Part No.	Grid No.	Part No.	Grid No.	Part No.	Grid No.	Part No.	Grid No.	Part No.	Grid No.
92210-1203	E-4								
92210-1397	E-7								
99994-0393-17P	H-3								
99994-0408	H-4								

This catalog covers:

'14 ZX1000MEF

GRID NO.

B-16

This grid covers:

Part Name Index

Accessory(Grip Heater) H-4
Accessory(Single Seat Cover) H-3
Air Cleaner B-6
Balancer B-11
Brake Pedal F-4
Brake Piping F-5
Cables G-3
Camshaft(s) B-9
Chassis Electrical Equipment G-8
Clutch B-12
Cowling(Center) G-14
Cowling(Upper) G-13
Crankcase C-4
Crankcase Bolt Pattern C-5
Crankshaft B-10
Cylinder B-5
Cylinder Head B-3
Cylinder Head Cover B-4
Decals G-12
Engine Cover(s) C-6
Engine Mount E-4
Footrests E-9
Frame E-3
Frame Fittings E-5/E-6
Front Brake F-7
Front Fender(s) E-10
Front Fork F-11
Front Hub E-14
Front Master Cylinder F-6
Fuel Evaporative System C-11
Fuel Injection C-10
Fuel Pump C-9
Fuel Tank F-12
Gear Change Drum B-14

Gear Change Mechanism C-3
Generator C-13
Handlebar F-10
Headlight(s) G-5
Ignition Switch G-9
Ignition System C-14
Labels G-11
Meter(s) F-14
Muffler(s) B-7
Oil Pan C-7
Oil Pump C-12
Owner's Tools G-10
Piston(s) B-5
Radiator D-4
Rear Brake F-9
Rear Fender(s) E-11
Rear Hub F-3
Rear Master Cylinder F-8
Seat F-13
Shift Fork(s) B-14
Shock Absorber E-8
Side Covers G-4
Stand(s) E-12
Starter Motor D-3
Suspension E-8
Swingarm E-7
Taillight(s) G-6
Tensioner B-9
Throttle C-8
Tires E-13
Transmission B-13
Turn Signals G-7
Valve(s) B-8
Water Pipe D-5

