

YAMAHA



**PARTS
CATALOGUE**

'94
TZ125 (4JT1)

[4JT-000101~]

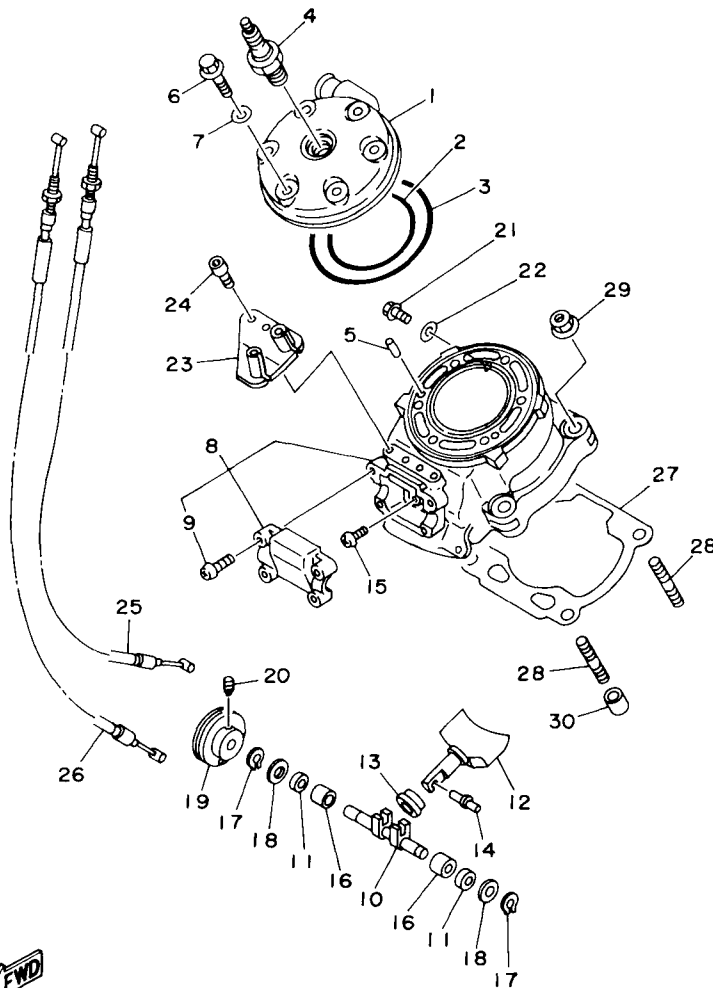
'93.10 発行

YAMAHA
GENUINE
Parts & Accessories

144JT-100E1

4JT-28198-14-E1





4JT1100-4010

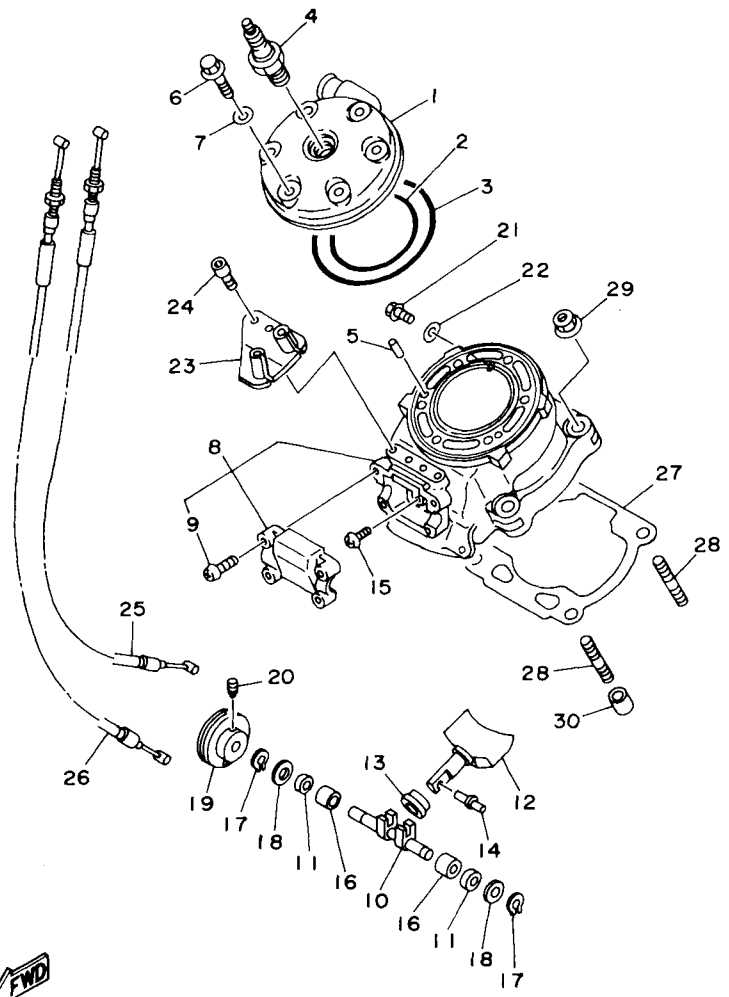
FIG. 1 CYLINDER HEAD

REF. NO.	PART NO.	DESCRIPTION	Q'TY	REMARKS
1	4DP-11111-01	HEAD, CYLINDER 1	1	
2	93210-63442	O-RING	1	
3	93210-88696	O-RING	1	
4	94702-00373	PLUG, SPARK (R6385-105P)	1	UR NGK
	94709-00373	PLUG, SPARK (R6385-105P)	1	UR NGK FOR JAPAN
5	93604-08071	PIN, DOWEL	2	
6	90105-06535	BOLT, WASHER BASED	6	
7	90430-06166	GASKET	6	
8	4JT-11310-00	CYLINDER	1	
9	98901-05020	.SCREW, BIND	4	
10	3LC-1131V-00	SHAFT 1	1	
11	93104-08040	OIL SEAL	2	
12	3YL-1131A-00	VALVE 1	1	
13	1RK-1131E-00	HOLDER 1	1	
14	90249-04189	PIN	1	
15	98903-05010	SCREW, BIND	1	
16	90380-08192	BUSH, SOLID	2	
17	93440-08130	CIRCLIP	2	
18	90201-08085	WASHER, PLATE	2	
19	4DP-1132E-00	PULLEY 1	1	
20	90149-05149	SCREW	1	
21	95826-06010	BOLT, FLANGE	1	
22	90430-06166	GASKET	1	
23	3XV-11998-00	BRACKET 1	1	
24	91316-05010	BOLT	2	
25	4JT-1133E-00	CABLE, PULLEY 1	1	OPEN
26	4JT-1133F-00	CABLE, PULLEY 2	1	CLOSE
27	4JT-11351-00	GASKET, CYLINDER (0.8T)	1	STD

B2

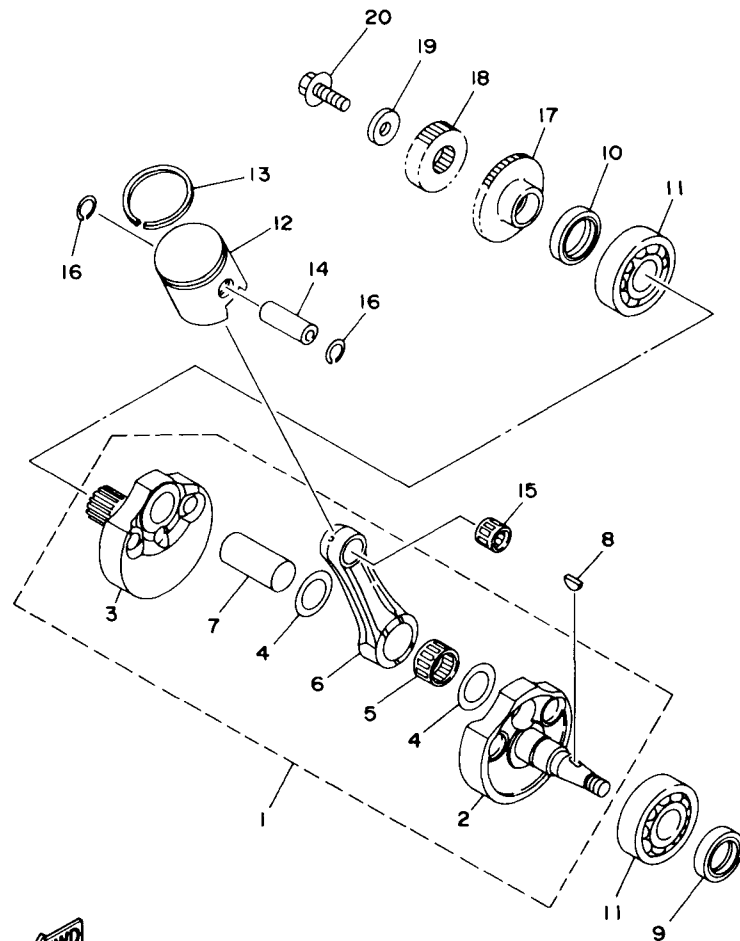
FIG. 1 CYLINDER HEAD

REF. NO.	PART NO.	DESCRIPTION	Q'TY	REMARKS
27	4JT-11351-10	GASKET, CYLINDER (0.7T)	1	AP
	4JT-11351-20	GASKET, CYLINDER (0.6T)	1	AP
	4JT-11351-30	GASKET, CYLINDER (0.5T)	1	AP
28	90116-08409	BOLT, STUD	4	
29	95701-08500	NUT, FLANGE	4	
30	99510-10114	PIN, DOWEL	2	



4JT1100-4010

B3

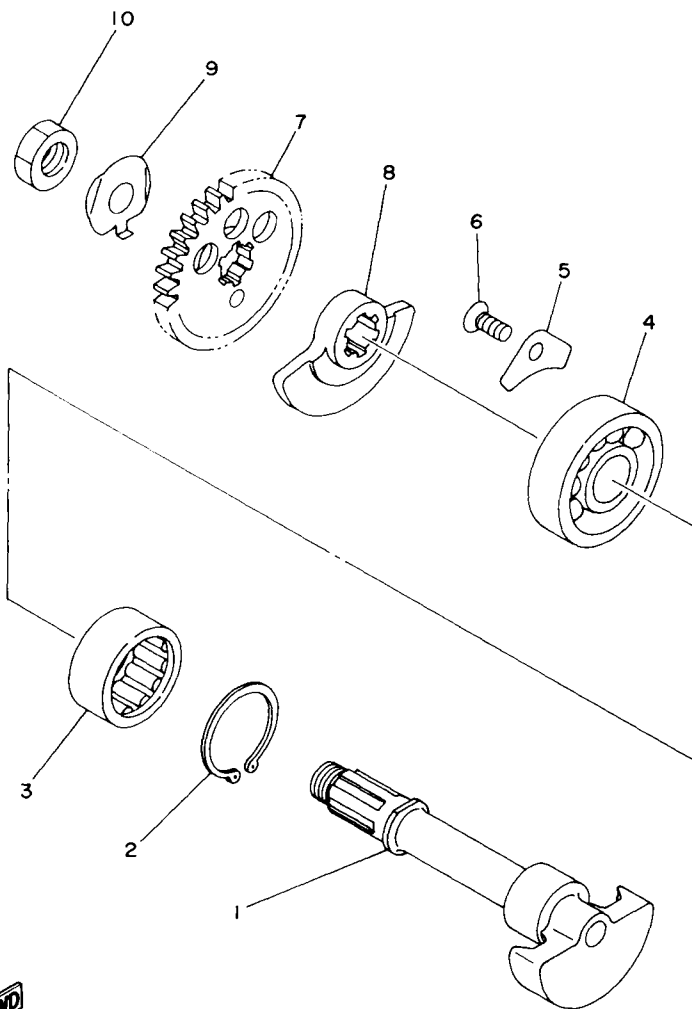


4JT1100-4020

FIG. 2 CRANKSHAFT. PISTON

REF. NO.	PART NO.	DESCRIPTION	Q'TY	REMARKS
1	4JT-11400-00	CRANKSHAFT ASSY	1	
2	4JT-11412-00	.CRANK 1	1	
3	4JT-11422-00	.CRANK 2	1	
4	90209-24327	.WASHER	2	
5	93310-524D0	.BEARING, CYLINDRICAL	1	
6	4JT-11651-00	.ROD, CONNECTING	1	
7	4JT-11681-00	.PIN, CRANK 1	1	
8	90280-04001	KEY, WOODRUFF	1	
9	93102-25142	OIL SEAL	1	
10	93103-32171	OIL SEAL	1	
11	93306-30566	BEARING	2	
12	4DP-11631-01-A0	PISTON (STD)	1	UR
	4DP-11631-01-B0	PISTON (STD)	1	UR
	4DP-11631-01-C0	PISTON (STD)	1	UR
	4DP-11631-01-D0	PISTON (STD)	1	UR
13	1RK-11611-01	RING, PISTON	1	
14	137-11633-10	PIN, PISTON	1	
15	93310-316D5	BEARING, CYLINDRICAL	1	
16	93450-17129	CIRCLIP	2	
17	4JT-11536-00	GEAR, DRIVE	1	
18	4JT-16111-00	GEAR, PRIMARY DRIVE	1	
19	90201-10144	WASHER, PLATE	1	
20	90105-10445	BOLT, WASHER BASED	1	

B4



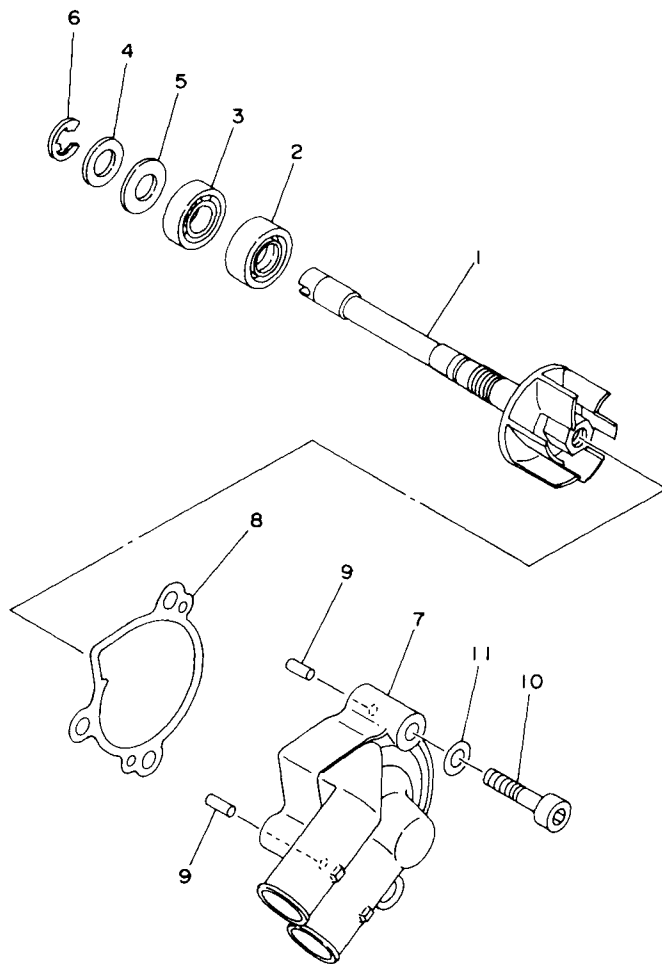
FWD

4JT1100-4030

FIG. 3 COUNTER SHAFT

REF. NO.	PART NO.	DESCRIPTION	Q'TY	REMARKS
1	4JT-11455-00	SHAFT I	1	
2	93420-37074	CIRCLIP	1	
3	93311-62574	BEARING, CYLINDRICAL	1	
4	93306-30316	BEARING	1	
5	2K7-15383-00	PLATE, BEARING COVER	1	
6	90151-06056	SCREW, COUNTERSUNK	1	
7	4JT-11531-00	GEAR, BALANCE WT	1	
8	4JT-11454-00	WEIGHT 1	1	
9	90215-14204	WASHER, LOCK	1	
10	90170-14171	NUT	1	

B5



4JT1100-4040

FIG. 4 WATER PUMP

REF. NO.	PART NO.	DESCRIPTION	Q'TY	REMARKS
1	4JT-12450-00	IMPELLER SHAFT ASSY	1	
2	93103-12119	OIL SEAL	1	
3	93306-90105	BEARING	1	
4	90201-114P2	WASHER, PLATE (1.0)	1	
5	90201-114P4	WASHER, PLATE (2.0)	1	
6	99009-11400	CIRCLIP	1	
7	4JT-12422-00	COVER, HOUSING	1	
8	4JT-12428-00	GASKET, HOUSING COVER 2	1	
9	93604-10011	PIN, DOWEL	2	
10	91311-06035	BOLT	3	
11	90430-06166	GASKET	1	

B6

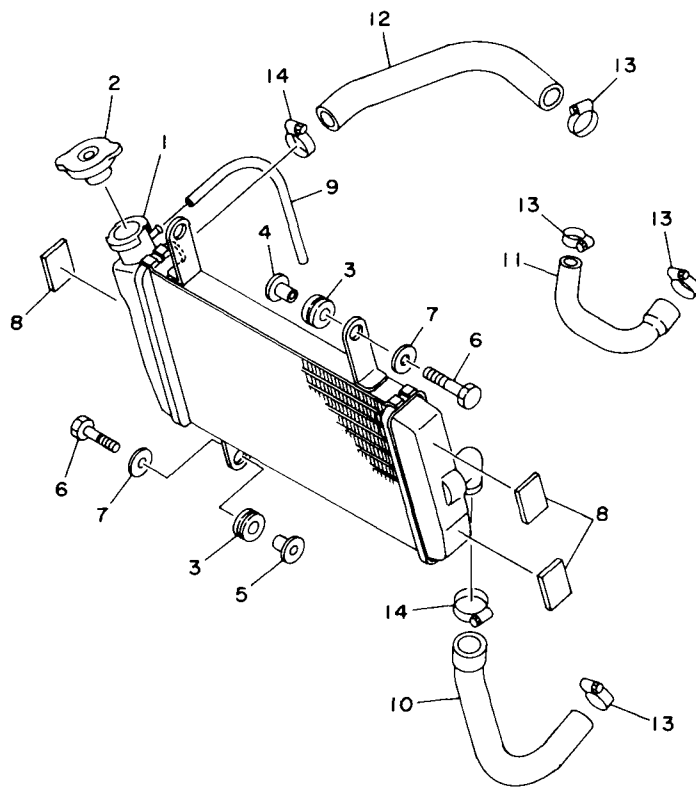


FIG. 5 RADIATOR. HOSE

REF. NO.	PART NO.	DESCRIPTION	Q'TY	REMARKS
1	4JT-12461-00	RADIATOR ASSY	1	
2	22W-12462-00	CAP, RADIATOR	1	
3	90480-15363	GROMMET	3	
4	90387-06068	COLLAR	2	
5	90387-06388	COLLAR	1	
6	95023-06030	BOLT	3	
7	90201-06571	WASHER, PLATE	3	
8	5H0-8235Y-M0	DAMPER	3	
9	90445-09078	HOSE	1	
10	4JT-12482-00	PIPE 2	1	
11	4JT-12483-00	PIPE 3	1	
12	4JT-12484-00	PIPE 4	1	
13	90460-20190	CLAMP, HOSE	4	
14	90450-28073	HOSE CLAMP ASSY	2	



4JT1100-4050

B7

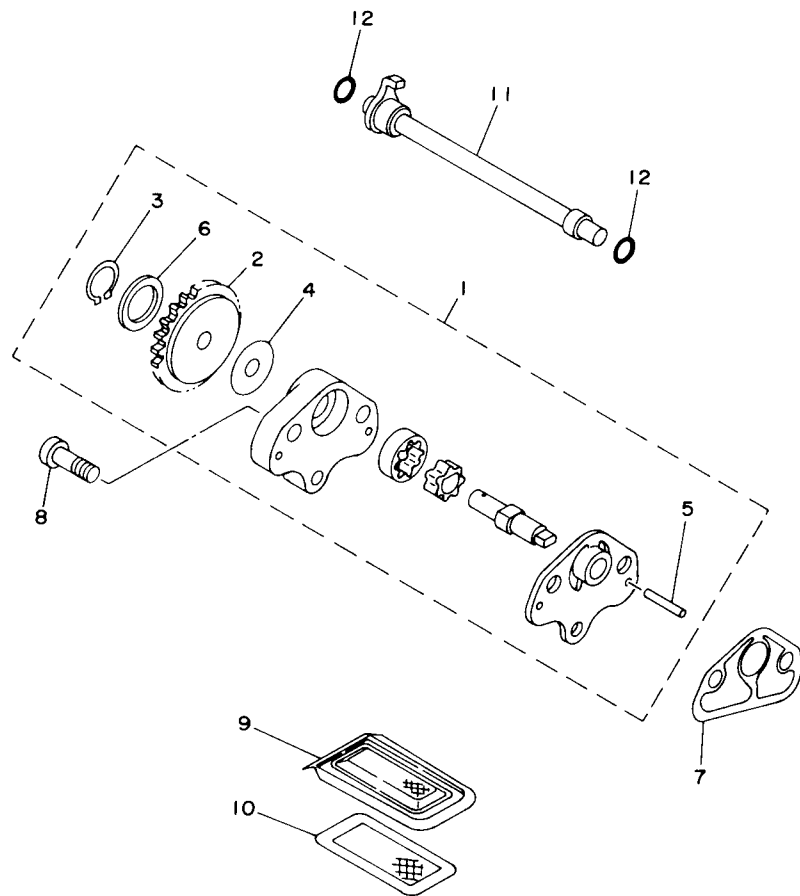


FIG. 6 OIL PUMP

REF. NO.	PART NO.	DESCRIPTION	Q'TY	REMARKS
1	4JT-13300-00	OIL PUMP ASSY	1	
2	4JT-13325-00	.GEAR, PUMP DRIVEN	1	
3	99009-12400	.CIRCLIP	1	
4	90201-070J2	.WASHER, PLATE	2	
5	93602-12247	.PIN, DOWEL	1	
6	90201-126A7	.WASHER, PLATE	1	
7	22F-13329-01	GASKET, PUMP COVER	1	
8	90155-06007	SCREW, FLAT FILLISTER	2	
9	3XV-13411-00	STRAINER, OIL	1	
10	3XV-13421-00	STRAINER 2	1	
11	4JT-13161-00	PIPE, DELIVERY 1	1	
12	93210-06632	O-RING	2	



4JT1100-4060

B8

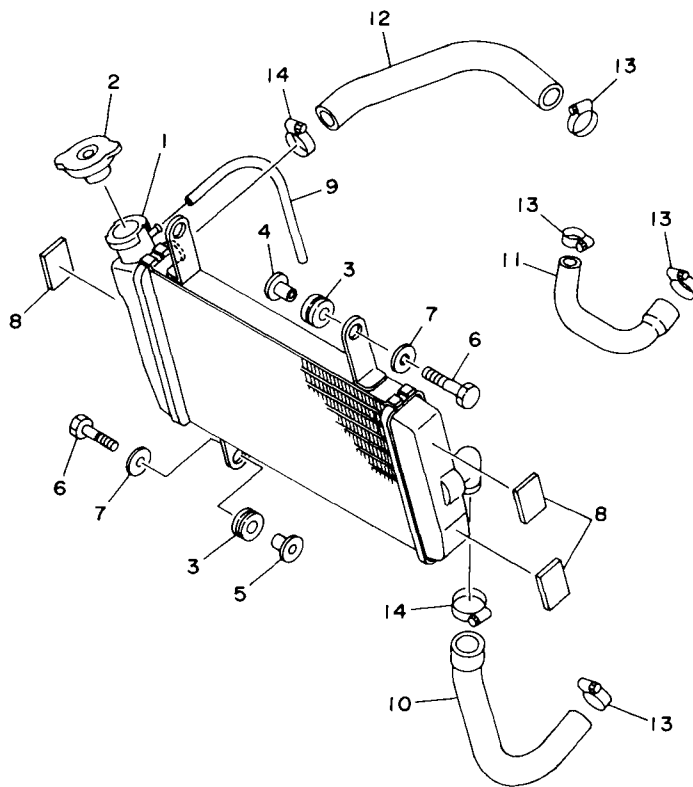


FIG. 5 RADIATOR. HOSE

REF. NO.	PART NO.	DESCRIPTION	Q'TY	REMARKS
1	4JT-12461-00	RADIATOR ASSY	1	
2	22W-12462-00	CAP, RADIATOR	1	
3	90480-15363	GROMMET	3	
4	90387-060G8	COLLAR	2	
5	90387-06388	COLLAR	1	
6	95023-06030	BOLT	3	
7	90201-06571	WASHER, PLATE	3	
8	5H0-8235Y-M0	DAMPER	3	
9	90445-09078	HOSE	1	
10	4JT-12482-00	PIPE 2	1	
11	4JT-12483-00	PIPE 3	1	
12	4JT-12484-00	PIPE 4	1	
13	90460-20190	CLAMP, HOSE	4	
14	90450-28073	HOSE CLAMP ASSY	2	



4JT1100-4050

B7

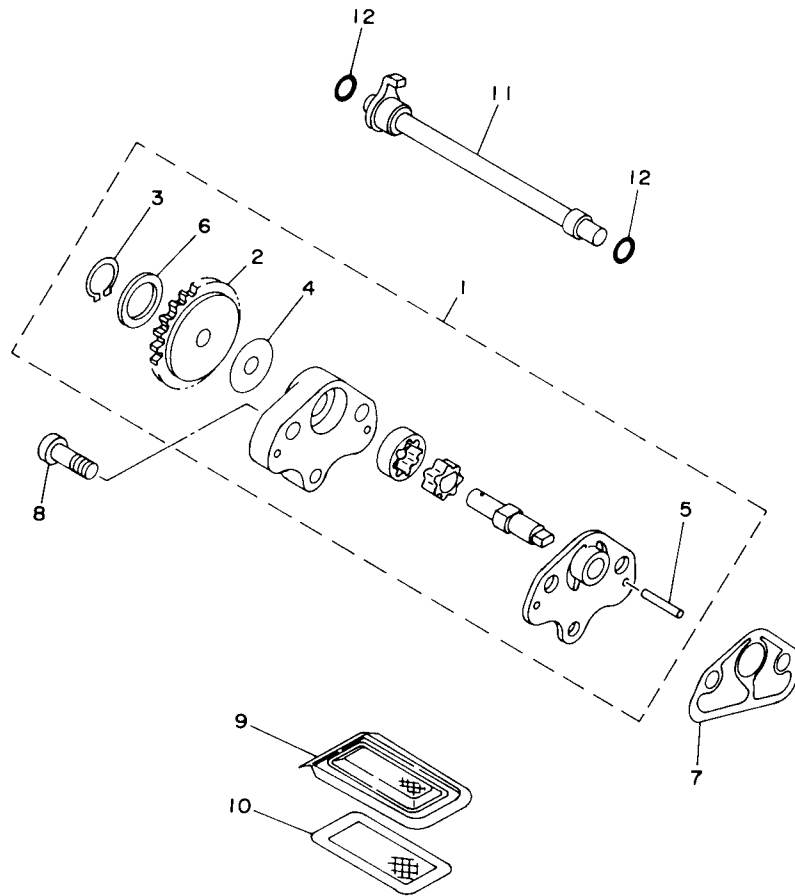


FIG. 6 OIL PUMP

REF. NO.	PART NO.	DESCRIPTION	Q'TY	REMARKS
1	4JT-13300-00	OIL PUMP ASSY	1	
2	4JT-13325-00	.GEAR, PUMP DRIVEN	1	
3	99009-12400	.CIRCLIP	1	
4	90201-070J2	.WASHER, PLATE	2	
5	93602-12247	.PIN, DOWEL	1	
6	90201-126A7	.WASHER, PLATE	1	
7	22F-13329-01	GASKET, PUMP COVER	1	
8	90155-06007	SCREW, FLAT FILLISTER	2	
9	3XV-13411-00	STRAINER, OIL	1	
10	3XV-13421-00	STRAINER 2	1	
11	4JT-13161-00	PIPE, DELIVERY 1	1	
12	93210-06632	O-RING	2	

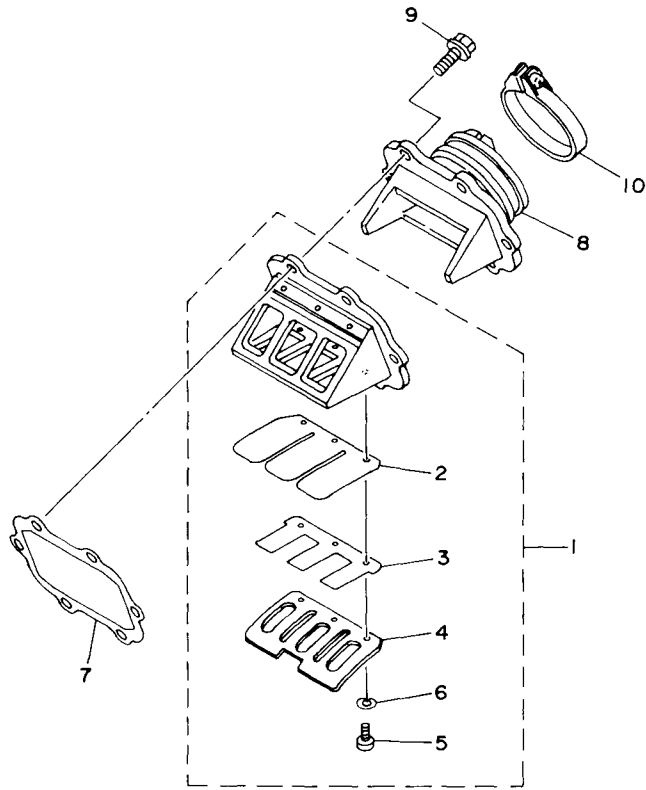


4JT1100-4060

B8

FIG. 7 INTAKE

REF. NO.	PART NO.	DESCRIPTION	Q'TY	REMARKS
1	4JT-13610-00	REED VALVE ASSY	1	
2	3XV-13613-01	.REED, VALVE	2	
3	4JT-13614-00	.REED, VALVE 2	2	
4	4JT-13616-00	.STOPPER, REED VALVE	2	
5	98580-03006	.SCREW, PAN HEAD	6	
6	92990-03100	.WASHER, SPRING	6	
7	4JT-13621-00	GASKET, VALVE SEAT	1	
8	4JT-13555-00	MANIFOLD, INTAKE	1	
9	91316-06020	BOLT	6	
10	90450-51070	HOSE CLAMP ASSY	1	



4JT1100-4070

B9

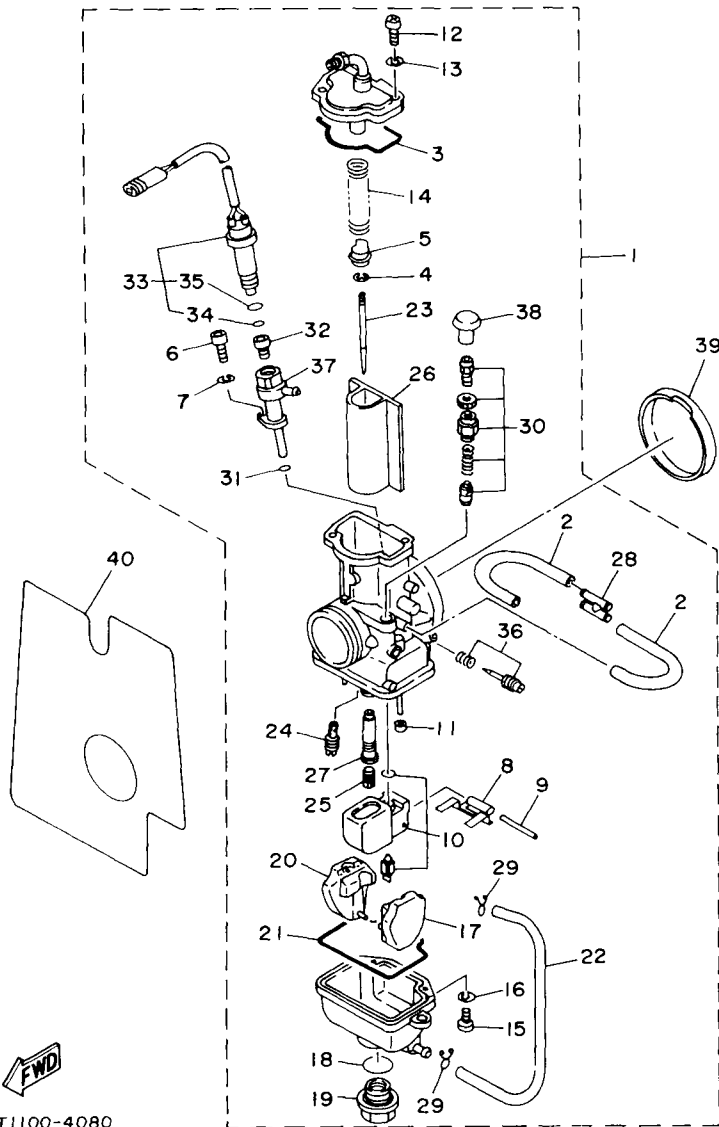


FIG. 8 CARBURETOR

REF. NO.	PART NO.	DESCRIPTION	Q'TY	REMARKS
1	4JT-14101-00	CARBURETOR ASSY 1	1	
2	310-14196-00	.PIPE	2	
3	3JD-14147-00	.O-RING	1	
4	256-14919-00	.CLIP	1	
5	3JD-14194-00	.RING	1	
6	91312-04010	.BOLT	1	
7	92990-04100	.WASHER, SPRING	1	
8	363-14187-00	.ARM, FLOAT	1	
9	353-14186-00	.PIN, FLOAT	1	
10	3JD-14107-35	.NEEDLE VALVE SET	1	
11	214-14118-00	.CAP	2	
12	98511-04012	.SCREW, PAN HEAD	2	
13	92990-04100	.WASHER, SPRING	2	
14	3JD-14131-00	.SPRING, THROTTLE VALVE	1	
15	98580-03010	.SCREW, PAN HEAD	1	
16	92990-03100	.WASHER, SPRING	1	
17	3JD-14185-00	.FLOAT	1	
18	3JE-14561-00	.O-RING	1	
19	3TC-14115-00	.PLUG, SCREW	1	
20	3JE-14185-00	.FLOAT	1	
21	3JE-14147-00	.O-RING	1	
22	3V3-14987-00	.HOSE	1	
23	239-14116-80	.NEEDLE	1	
24	193-14142-20	.JET, PILOT (#20)	1	STD
	193-14142-17	.JET, PILOT (#17.5)	1	UR
	193-14142-22	.JET, PILOT (#22.5)	1	UR
25	137-1414K-20	.JET, MAIN (#600)	1	STD
	137-1414K-16	.JET, MAIN (#580)	1	UR

B10

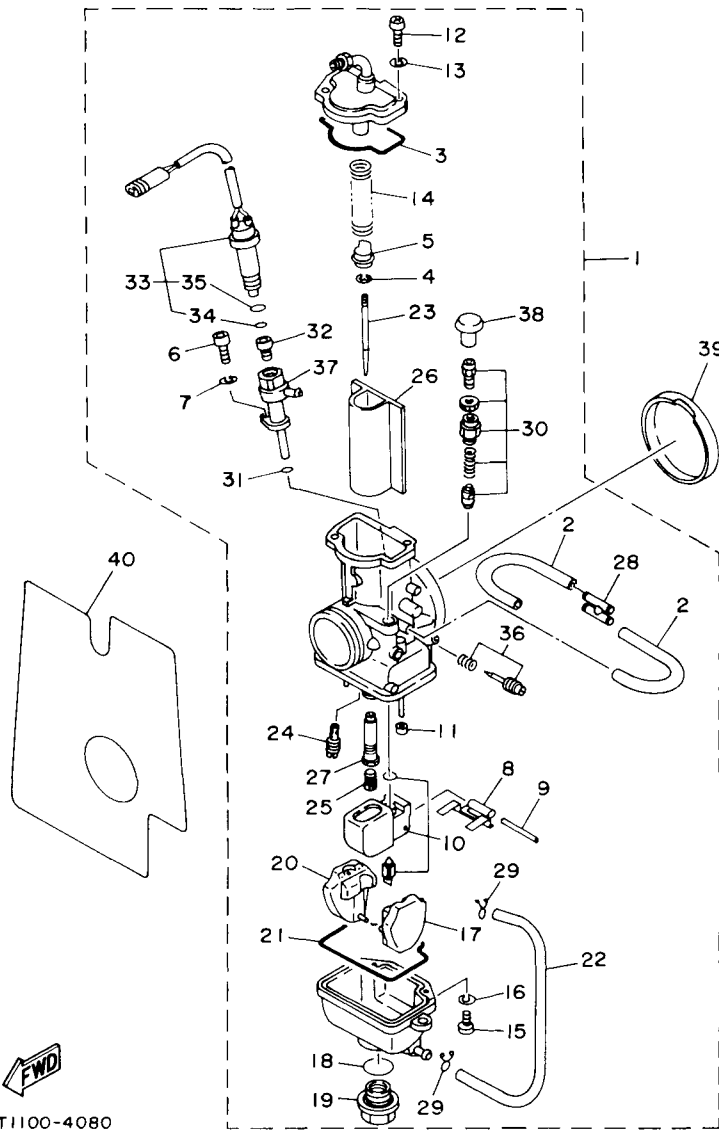
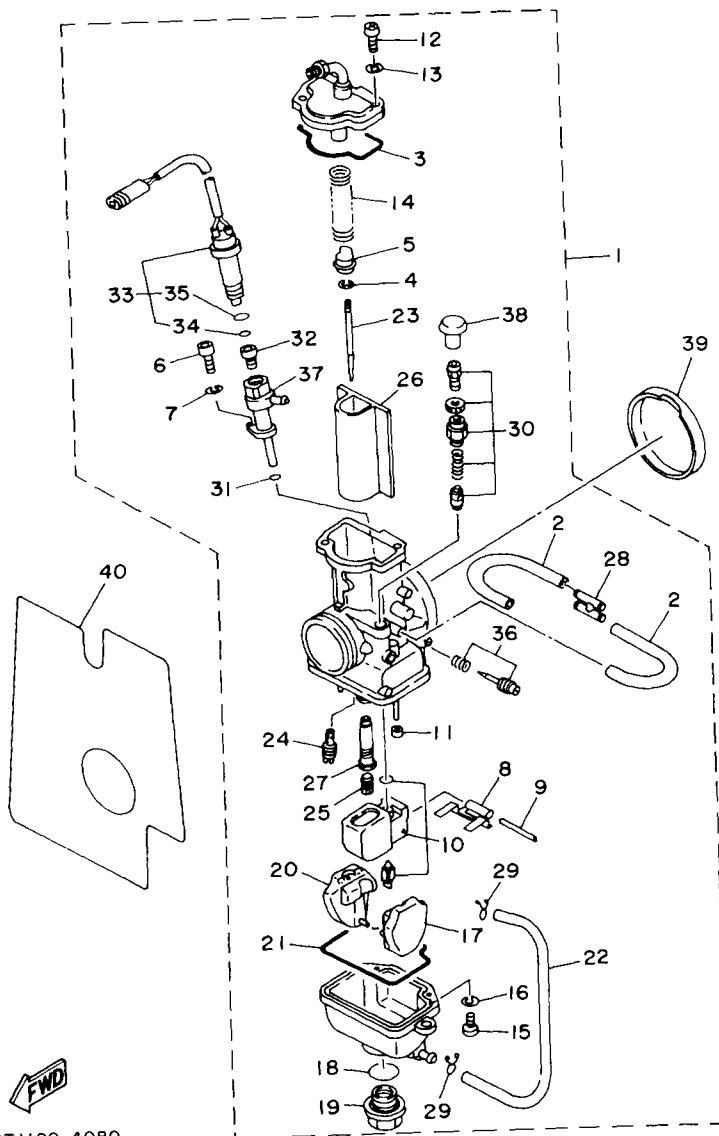


FIG. 8 CARBURETOR

REF. NO.	PART NO.	DESCRIPTION	Q'TY	REMARKS
25	137-1414K-12	.JET, MAIN (#560)	1	UR
	137-1414K-08	.JET, MAIN (#540)	1	UR
	137-1414K-04	.JET, MAIN (#520)	1	UR
	137-1414K-00	.JET, MAIN (#500)	1	UR
	137-14143-98	.JET, MAIN (#490)	1	UR
	137-14143-96	.JET, MAIN (#480)	1	UR
	137-14143-94	.JET, MAIN (#470)	1	UR
	137-14143-92	.JET, MAIN (#460)	1	UR
	137-14143-90	.JET, MAIN (#450)	1	UR
	137-14143-88	.JET, MAIN (#440)	1	UR
	137-14143-86	.JET, MAIN (#430)	1	UR
	137-14143-84	.JET, MAIN (#420)	1	UR
	137-14143-82	.JET, MAIN (#410)	1	UR
	137-14143-80	.JET, MAIN (#400)	1	UR
	137-14143-78	.JET, MAIN (#390)	1	UR
	137-14143-76	.JET, MAIN (#380)	1	UR
	137-14143-74	.JET, MAIN (#370)	1	UR
	137-14143-72	.JET, MAIN (#360)	1	UR
	137-14143-70	.JET, MAIN (#350)	1	UR
26	3JD-14112-35	.VALVE, THROTTLE (C.A 3.5)	1	
27	3TC-14141-R8	.NOZZLE, MAIN	1	STD
	3TC-14141-R6	.NOZZLE, MAIN	1	UR
	3TC-14141-R4	.NOZZLE, MAIN	1	UR
28	8JD-14251-00	.NIPPLE	1	
29	8A7-14139-00	.CLIP, PIPE	2	
30	1RK-1410A-00	.STARTER SET	1	
31	214-14147-00	.O-RING	1	
32	3G2-14231-12	.JET, POWER (#60)	1	STD

B11

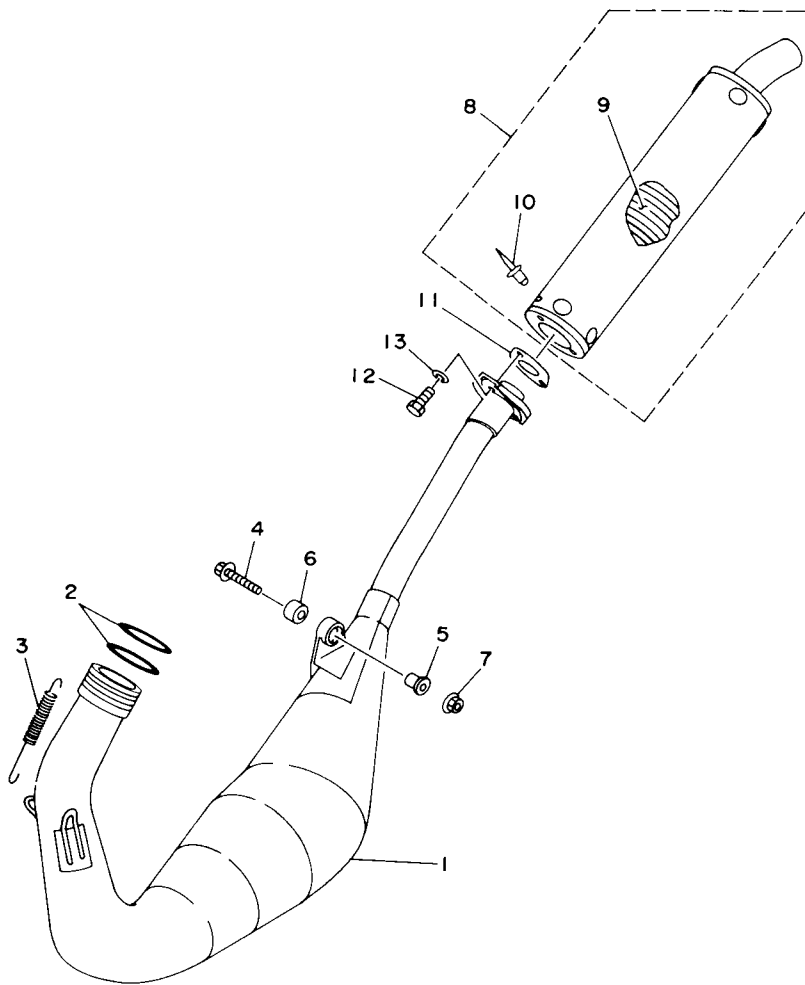


FWD
4JT1100-4080

FIG. 8 CARBURETOR

REF. NO.	PART NO.	DESCRIPTION	Q'TY	REMARKS
32	3G2-14231-10	.JET, POWER (#50)	1	UR
	3G2-14231-14	.JET, POWER (#70)	1	UR
33	3LC-1410H-00	.FUEL CUT SOLENOID VALVE	1	
34	3LC-14147-00	..O-RING	1	
35	3LC-1416A-00	..O-RING	1	
36	3JD-14104-00	.AIR SCREW SET	1	
37	4DP-14261-00	.HOLDER	1	
38	3JE-14171-00	.PLUNGER, STARTER	1	
39	5F7-14157-01	COVER, MIXING	1	
40	4JT-14283-00	COVER, CARBURETOR 1	1	

B12

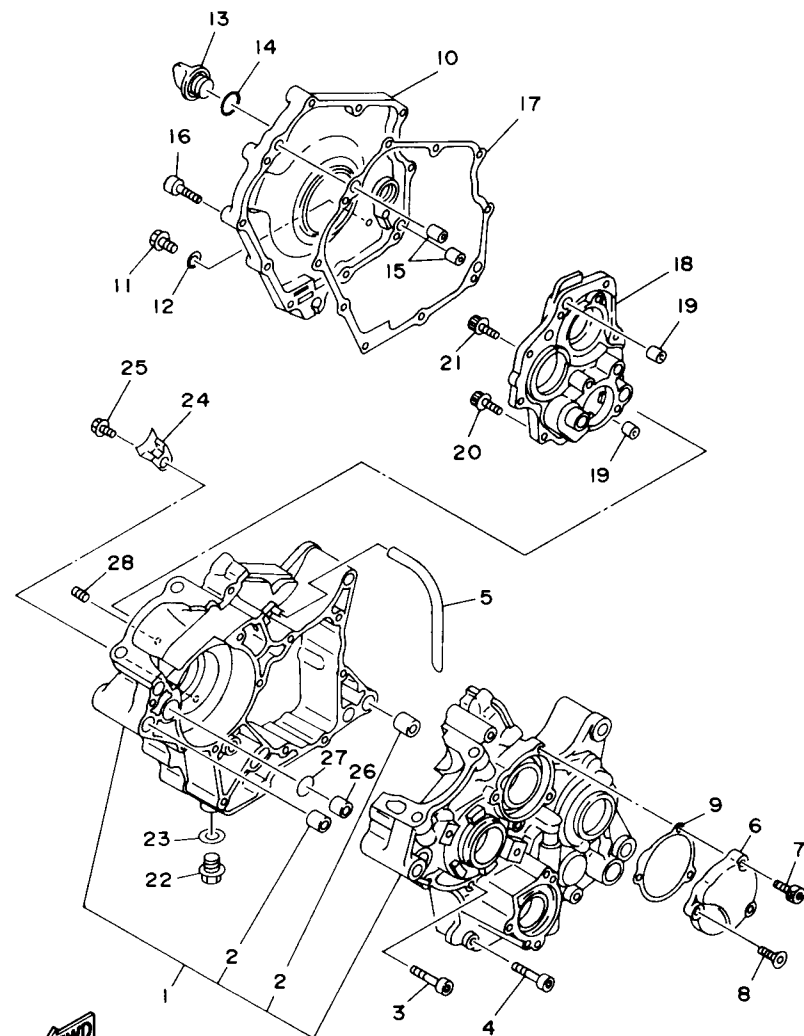


4JT1100-4090

FIG. 9 EXHAUST

REF. NO.	PART NO.	DESCRIPTION	Q'TY	REMARKS
1	4JT-14610-00	EXHAUST PIPE ASSY 1	1	UR
	4JT-14610-10	EXHAUST PIPE ASSY 1	1	UR FOR U.S.A.
2	93210-42728	O-RING	2	
3	90507-20061	SPRING, TENSION	2	
4	95816-08040	BOLT, FLANGE	1	
5	90387-0803Y	COLLAR	1	
6	4A0-21485-00	DAMPER, RUBBER 1	1	
7	90185-08097	NUT, SELF-LOCKING	1	
8	4JT-14753-00	SILENCER, EXHAUST	1	
9	4DP-1469A-00	.FIBER	1	
10	90267-48147	.RIVET, BLIND	10	
11	4DP-14755-00	GASKET, SILENCER	1	
12	97011-06020	BOLT	2	
13	92995-06100	WASHER, SPRING	2	

B13

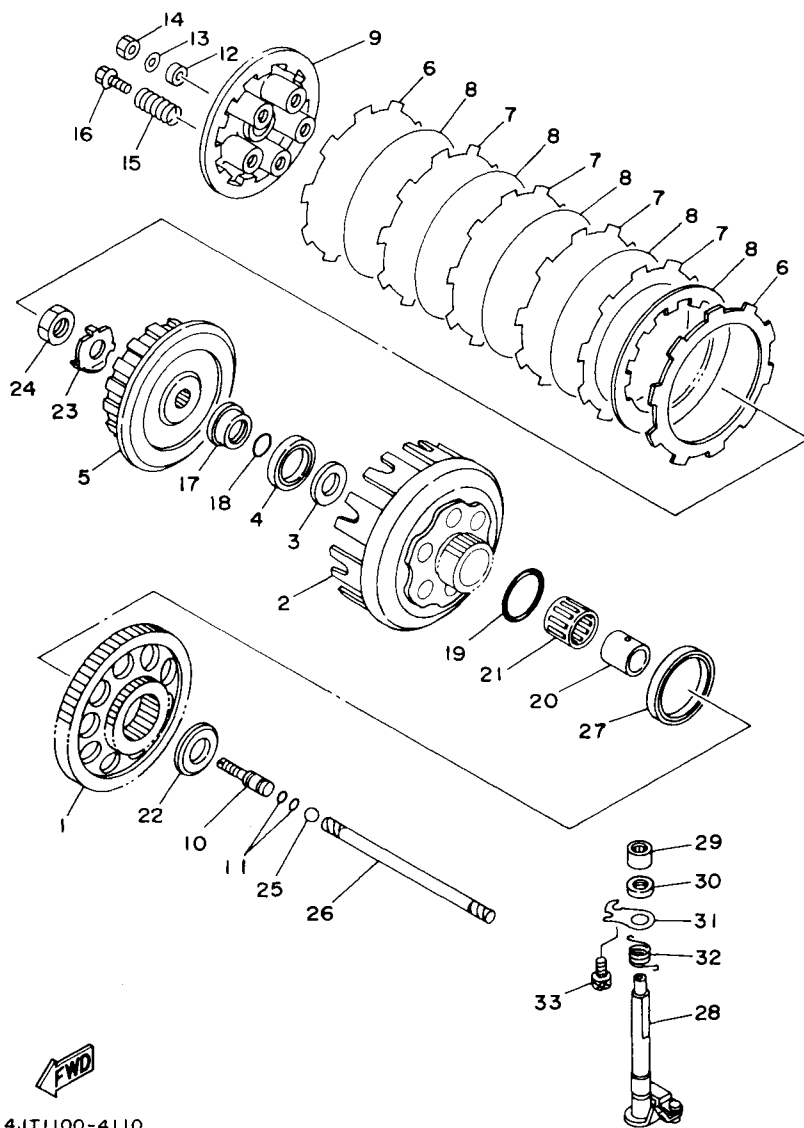


4JT1100-4100

FIG. 10 CRANKCASE

REF. NO.	PART NO.	DESCRIPTION	Q'TY	REMARKS
1	4JT-15100-00	CRANKCASE ASSY	1	
2	91814-16009	.PIN, DOWEL	2	
3	91311-06060	BOLT	9	
4	91311-06045	BOLT	4	
5	90445-093H6	HOSE	1	
6	4JT-15411-00	COVER, CRANKCASE 1	1	
7	91311-06020	BOLT	2	
8	90149-06286	SCREW	1	
9	4JT-15451-00	GASKET, CRANKCASE COVER 1	1	
10	4JT-15421-00	COVER, CRANKCASE 2	1	
11	90338-06041	PLUG	1	
12	90430-06166	GASKET	1	
13	4A0-15363-00	PLUG, OIL	1	
14	93210-21190	O-RING	1	
15	99530-10014	PIN, DOWEL	2	
16	91311-06030	BOLT	10	
17	4JT-15461-00	GASKET, CRANKCASE COVER 2	1	
18	4JT-15131-00	CRANKCASE 3	1	
19	99530-10014	PIN, DOWEL	2	
20	90109-065F8	BOLT	5	
21	90109-067E6	BOLT	2	
22	90340-12144	PLUG, STRAIGHT SCREW	1	
23	90430-12202	GASKET	1	
24	3R3-15128-01	HOLDER	1	
25	90105-08729	BOLT, WASHER BASED	1	
26	91814-16009	PIN, DOWEL	1	
27	93210-14515	O-RING	1	
28	90113-08056	BOLT, SET	1	

B14



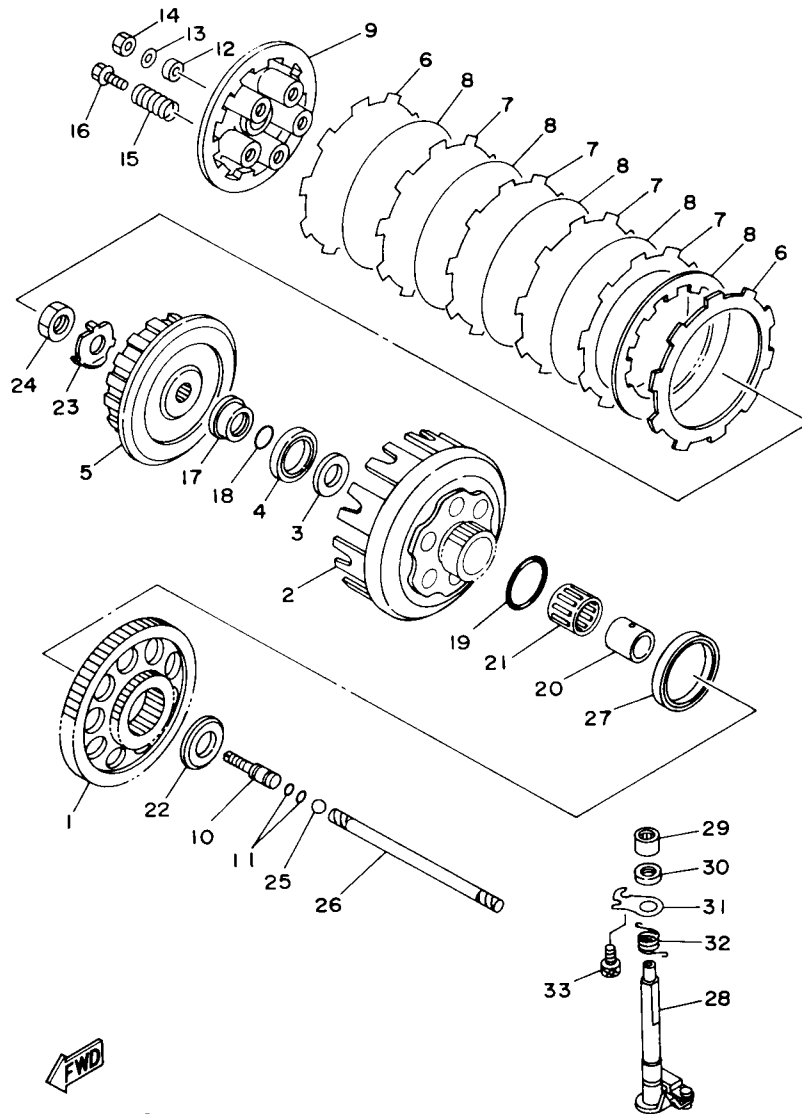
FWD

4JT1100-4110

FIG. 11 CLUTCH

REF. NO.	PART NO.	DESCRIPTION	Q'TY	REMARKS
1	4JT-16151-00	GEAR, PRIMARY DRIVEN	1	
2	4JT-16310-00	CLUTCH HOUSING ASSY	1	
3	90201-174E1	WASHER, PLATE	1	
4	93102-26042	OIL SEAL	1	
5	4JT-16371-00	BOSS, CLUTCH	1	
6	4JT-16321-00	PLATE, FRICTION	2	
7	4JT-16331-00	PLATE, FRICTION 2	4	
8	257-16324-00	PLATE, CLUTCH 1	5	
9	37F-16351-00	PLATE, PRESSURE 1	1	
10	4JT-16356-00	ROD, PUSH 1	1	
11	93210-48364	O-RING	2	
12	30X-16358-00	PLATE, PUSH	1	
13	92901-06200	WASHER, PLAIN	1	
14	95380-06600	NUT	1	
15	90501-20361	SPRING, COMPRESSION	5	
16	90119-05001	BOLT, WITH WASHER	5	
17	4JT-16184-00	PLATE, THRUST	1	
18	93210-16314	O-RING	1	
19	93210-34633	O-RING	1	
20	4JT-16181-00	SPACER 1	1	
21	93310-225N0	BEARING, CYLINDRICAL	1	
22	4JT-16154-00	PLATE, THRUST 1	1	
23	90215-14204	WASHER, LOCK	1	
24	90170-14171	NUT	1	
25	93505-16006	BALL	1	
26	5H0-16357-00	ROD, PUSH 2	1	
27	93101-45091	OIL SEAL	1	
28	4JT-16380-00	PUSH LEVER ASSY	1	

B15

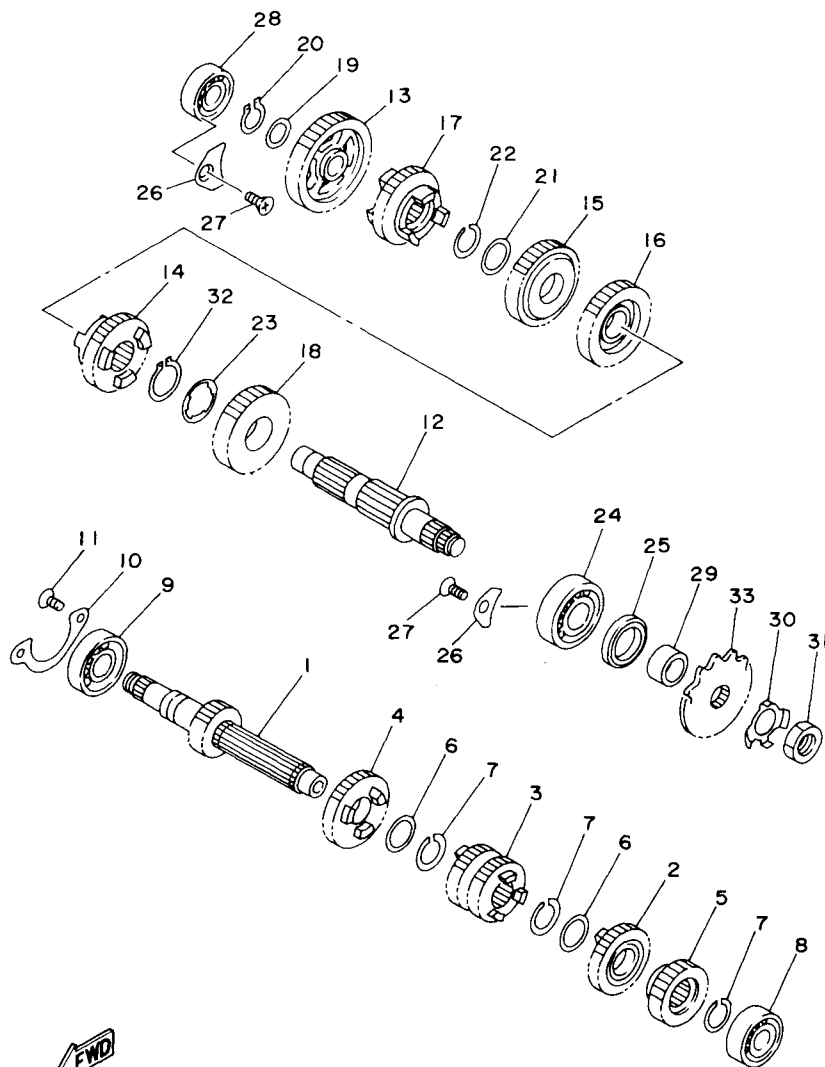


4JT1100-4110

FIG. 11 CLUTCH

REF. NO.	PART NO.	DESCRIPTION	Q'TY	REMARKS
29	93315-11206	BEARING, CYLINDRICAL	1	
30	93102-12224	OIL SEAL	1	
31	4JT-16384-00	PLATE, SEAT	1	
32	90508-145A5	SPRING, TORSION	1	
33	91316-06010	BOLT	1	

C2



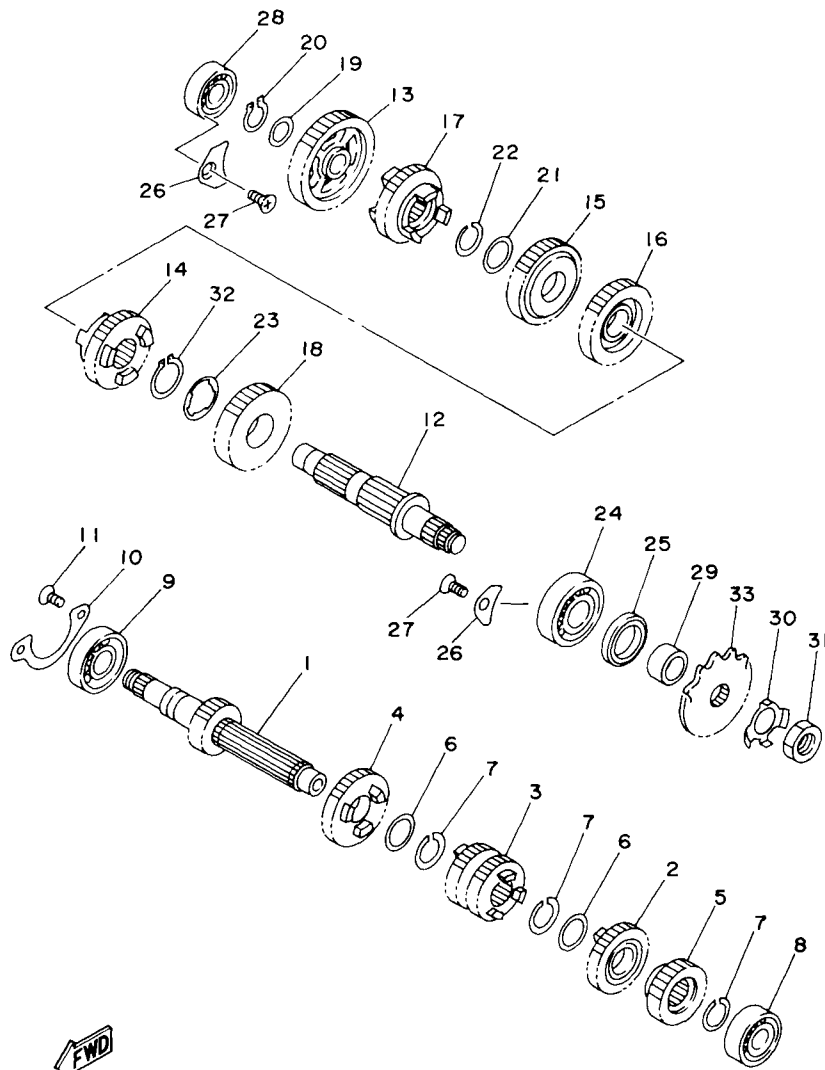
4JT1100-4120



FIG. 12 TRANSMISSION

REF. NO.	PART NO.	DESCRIPTION	Q'TY	REMARKS
1	4JT-17411-00	AXLE, MAIN (15T)	1	
2	4JT-17151-10	GEAR, 5TH PINION (23T)	1	STD
	4JT-17151-00	GEAR, 5TH PINION (26T)	1	UR
	4JT-17151-20	GEAR, 5TH PINION (21T)	1	UR
3	4JT-17131-10	GEAR, 3RD/4TH PINION (19T/22T)	1	STD
	4JT-17131-00	GEAR, 3RD/4TH PINION (16T/22T)	1	UR
	4JT-17131-20	GEAR, 3RD/4TH PINION (19T/20T)	1	UR
4	4JT-17161-10	GEAR, 6TH PINION (27T)	1	STD
	4JT-17161-00	GEAR, 6TH PINION (21T)	1	UR
	4JT-17161-20	GEAR, 6TH PINION (22T)	1	UR
5	4JT-17121-10	GEAR, 2ND PINION (17T)	1	STD
	4JT-17121-00	GEAR, 2ND PINION (21T)	1	UR
	4JT-17121-20	GEAR, 2ND PINION (20T)	1	UR
6	90209-18208	WASHER	2	
7	93410-22039	CIRCLIP	3	
8	93306-20336	BEARING	1	
9	93306-20421	BEARING (B6204)	1	
10	4JT-15383-00	PLATE, BEARING COVER	1	
11	90151-06056	SCREW, COUNTERSUNK	2	
12	4JT-17421-00	AXLE, DRIVE	1	
13	4JT-17211-00	GEAR, 1ST WHEEL (30T)	1	STD
	4JT-17211-10	GEAR, 1ST WHEEL (29T)	1	UR
14	4JT-17251-10	GEAR, 5TH WHEEL (26T)	1	STD
	4JT-17251-00	GEAR, 5TH WHEEL (30T)	1	UR
	4JT-17251-20	GEAR, 5TH WHEEL (23T)	1	UR
15	4JT-17231-10	GEAR, 3RD WHEEL (26T)	1	STD
	4JT-17231-00	GEAR, 3RD WHEEL (23T)	1	UR
	4JT-17231-20	GEAR, 3RD WHEEL (25T)	1	UR

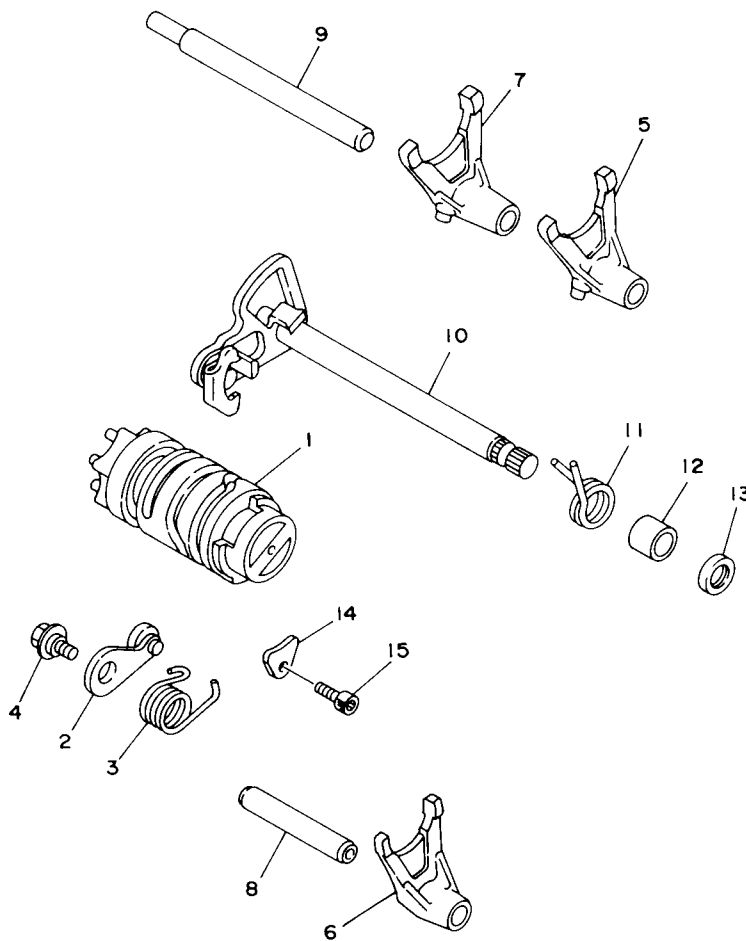
C3



4JT1100-4120

FIG. 12 TRANSMISSION

REF. NO.	PART NO.	DESCRIPTION	Q'TY	REMARKS
16	4JT-17241-10	GEAR, 4TH WHEEL (27T)	1	STD
	4JT-17241-00	GEAR, 4TH WHEEL (28T)	1	UR
	4JT-17241-20	GEAR, 4TH WHEEL (24T)	1	UR
17	4JT-17261-10	GEAR, 6TH WHEEL (29T)	1	STD
	4JT-17261-00	GEAR, 6TH WHEEL (23T)	1	UR
18	4JT-17221-10	GEAR, 2ND WHEEL (27T)	1	STD
	4JT-17221-00	GEAR, 2ND WHEEL (35T)	1	UR
	4JT-17221-20	GEAR, 2ND WHEEL (30T)	1	UR
19	90201-177G4	WASHER, PLATE	1	
20	93410-17037	CIRCLIP	1	
21	90209-18208	WASHER	1	
22	93410-22039	CIRCLIP	1	
23	90209-23233	WASHER	1	
24	93306-30427	BEARING	1	
25	93102-26042	OIL SEAL	1	
26	4JT-15381-00	PLATE, BEARING COVER	3	
27	90151-06056	SCREW, COUNTERSUNK	3	
28	93306-20336	BEARING	1	
29	90387-204Y5	COLLAR	1	
30	90215-20261	WASHER, LOCK	1	
31	90179-16226	NUT	1	
32	93410-26067	CIRCLIP	1	
33	938AA-17196	SPROCKET, DRIVE (17T)	1	STD
	938AA-16198	SPROCKET, DRIVE (16T)	1	UR
	938AA-18199	SPROCKET, DRIVE (18T)	1	UR




4JT1100-4130

FIG. 13 SHIFT CAM. FORK

REF. NO.	PART NO.	DESCRIPTION	Q'TY	REMARKS
1	4JT-18540-00	SHIFT CAM ASSY	1	
2	4JT-18140-00	STOPPER LEVER ASSY	1	
3	90508-235A8	SPRING, TORSION	1	
4	90109-063F7	BOLT	1	
5	4JT-18511-00	FORK, SHIFT 1	1	
6	4JT-18512-00	FORK, SHIFT 2	1	
7	4JT-18513-00	FORK, SHIFT 3	1	
8	4JT-18531-00	BAR, SHIFT FORK GUIDE 1	1	
9	4JT-18535-00	BAR, SHIFT FORK GUIDE 2	1	
10	4JT-18101-00	SHIFT SHAFT ASSY	1	
11	90508-290A8	SPRING, TORSION	1	
12	90560-12280	SPACER	1	
13	93109-12012	OIL SEAL	1	
14	4JT-18562-00	PLATE, STOPPER 2	2	
15	90110-05227	BOLT, HEXAGON SOCKET HEAD	2	

C5

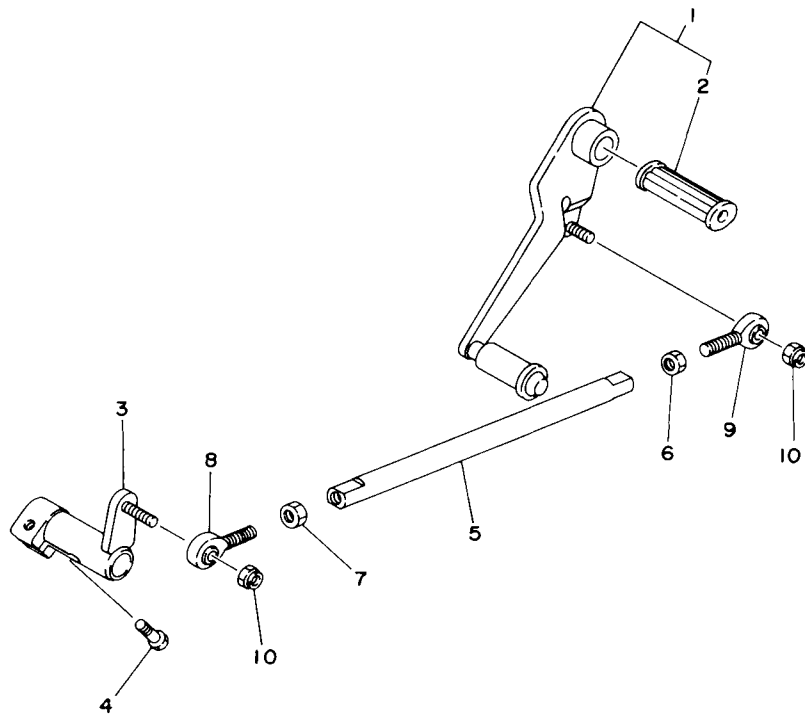


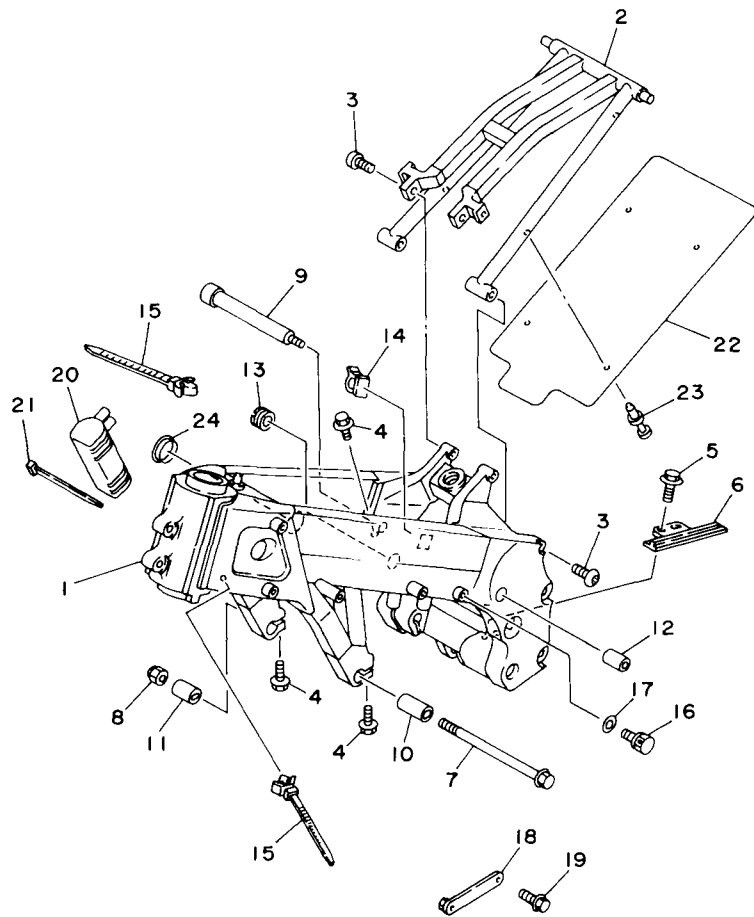
FIG. 14 SHIFT SHAFT

REF. NO.	PART NO.	DESCRIPTION	Q'TY	REMARKS
1	4JT-18110-00	SHIFT PEDAL ASSY	1	
2	240-18113-00	.COVER, SHIFT PEDAL	1	
3	4JT-18112-00	ARM, SHIFT	1	
4	97016-06020	BOLT	1	
5	4JT-18115-00	ROD, SHIFT	1	
6	90170-06228	NUT (COUNTER CLOCKWISE)	1	
7	95380-06700	NUT	1	
8	3TC-18116-00	JOINT, ROD 1	1	
9	3TC-18117-00	JOINT, ROD 2	1	
10	95601-06100	NUT, U	2	



4JT1100-4140

C6

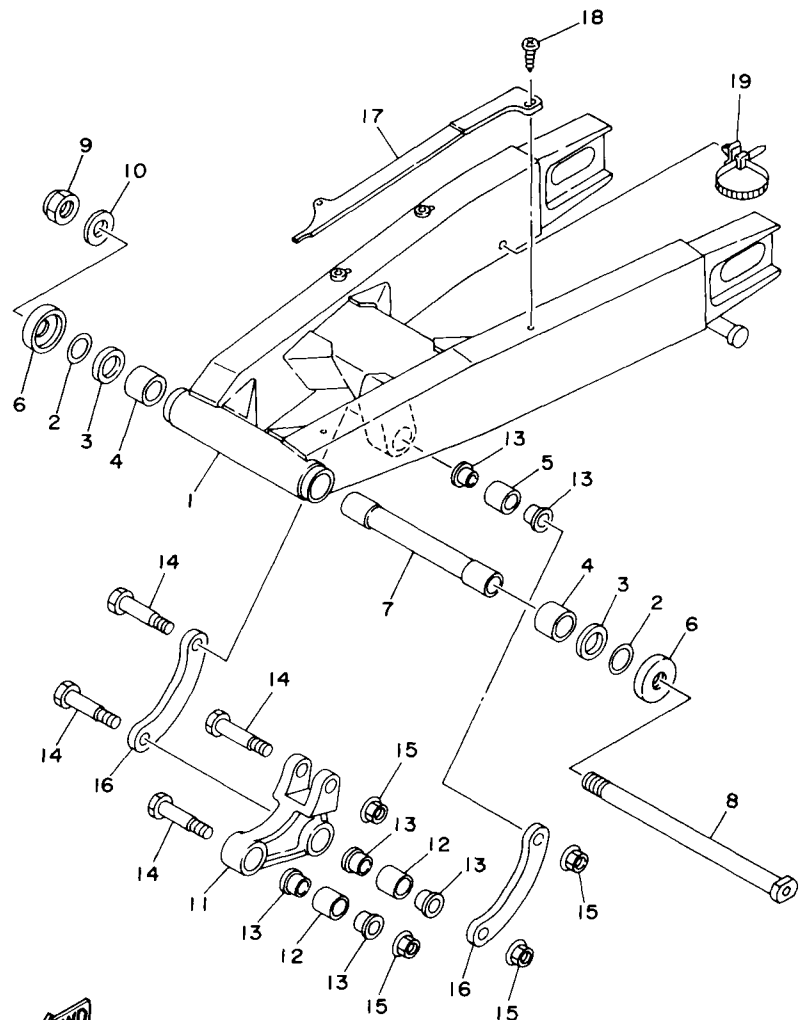


4JT1100-4150

FIG. 15 FRAME

REF. NO.	PART NO.	DESCRIPTION	Q'TY	REMARKS
1	4JT-21110-00	FRAME COMP.	1	
2	4JT-21190-00	REAR FRAME COMP.	1	
3	92011-08025	BOLT, BUTTON HEAD	4	
4	95023-06020	BOLT	4	
5	90119-05071	BOLT, WITH WASHER	2	
6	3YL-22151-00	SEAL, GUARD	1	
7	90105-10726	BOLT, WASHER BASED	1	
8	95611-10200	NUT, SELF-LOCKING	1	
9	90105-10183	BOLT, WASHER BASED	2	
10	4JT-21117-00	SLEEVE 1	1	
11	4JT-21118-00	SLEEVE 2	1	
12	90179-10594	NUT	2	
13	4JT-21495-00	BOLT, ENGINE ADJUSTING	1	
14	90464-25160	CLAMP	1	
15	90464-12089	CLAMP	2	
16	90338-06041	PLUG	2	
17	90430-06166	GASKET	2	
18	4JT-2117A-00	STAY	1	
19	95023-06016	BOLT	1	
20	3YL-21751-00	TANK, OIL	1	
21	90464-14117	CLAMP	2	
22	4JT-21629-00	GUARD, MUD	1	
23	90269-05049	RIVET	4	
24	4JT-2117G-00	PROTECTOR	1	

C7

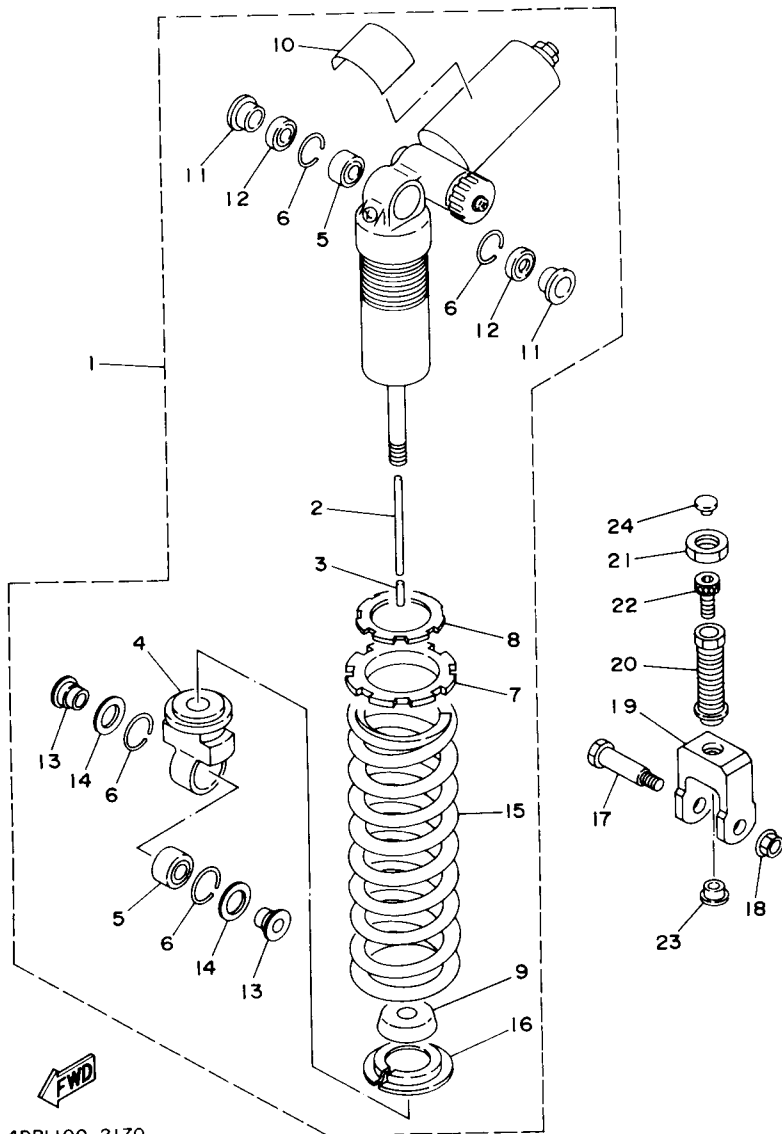


4JT1100-4160

FIG. 16 REAR ARM

REF. NO.	PART NO.	DESCRIPTION	Q'TY	REMARKS
1	4JT-22110-00	REAR ARM COMP.	1	
2	156-22127-00	SHIM (0.3T)	3	
3	93342-22215	BEARING, THRUST	2	
4	93317-32231	BEARING, CYLINDRICAL	2	
5	93320-21507	BEARING	1	
6	4EW-22129-00	COVER, THRUST 2	2	
7	4JT-22184-00	BUSH	1	
8	1LX-22141-00	SHAFT, PIVOT	1	
9	90185-16127	NUT, SELF-LOCKING	1	
10	92990-16200	WASHER, PLAIN	1	
11	4DP-2217A-00	ARM, RELAY	1	
12	93320-21507	BEARING	2	
13	90387-124Y8	COLLAR	6	
14	90101-10709	BOLT	4	
15	95611-10200	NUT, SELF-LOCKING	4	
16	4DP-2217F-00	ROD, CONNECTING 1	2	
17	4JT-22151-00	SEAL, GUARD	2	
18	97706-50012	SCREW, TAPPING	4	
19	90464-12089	CLAMP	1	

C8



4DPI100-2170

STEERING

ART NO.	DESCRIPTION	Q'TY	REMARKS
8002-00001	BEARING	1	
8002-00079	BEARING	1	
8023415-00	COVER, BALL RACE 1	1	
8079-25615	NUT	1	
8023451-00	BOLT, FITTING 1	1	
8023490-00	HANDLEBAR SHIMMY DAMPER ASSY	1	
8001-08025	BOLT, BUTTON HEAD	1	
8001-08455	WASHER, PLATE	2	
8088-16099	CLIP	1	
8023495-00	STAY, DAMPER	1	
8001-08038	PIN, CLEVIS	1	
8001-06025	BOLT	1	

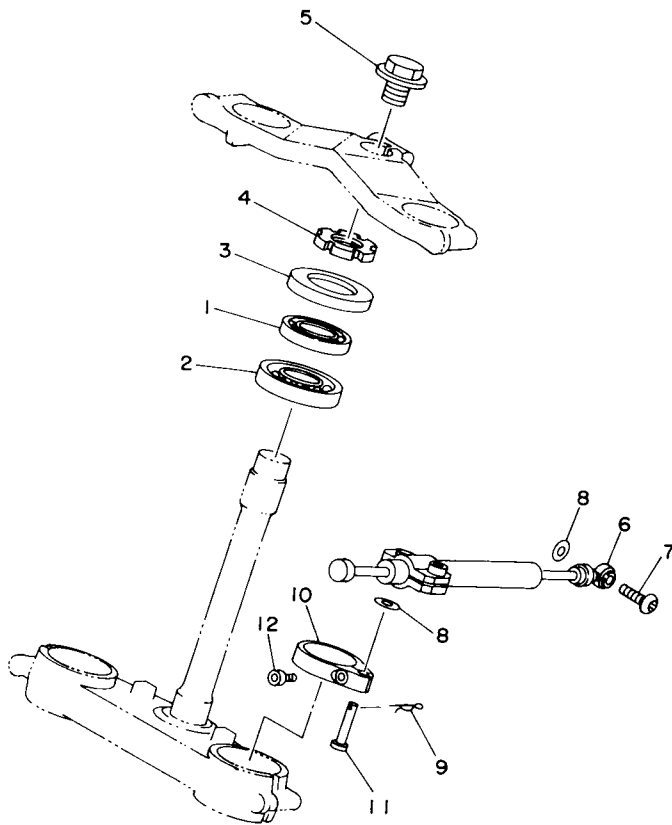


FIG. 18 STEERING

REF. NO.	PART NO.	DESCRIPTION	Q'TY	REMARKS
1	93332-00001	BEARING	1	
2	93332-00079	BEARING	1	
3	1J7-23415-00	COVER, BALL RACE 1	1	
4	90179-25615	NUT	1	
5	2KM-23451-00	BOLT, FITTING 1	1	
6	4JT-23490-00	HANDLEBAR SHIMMY DAMPER ASSY	1	
7	92011-08025	BOLT, BUTTON HEAD	1	
8	90201-08455	WASHER, PLATE	2	
9	90468-16099	CLIP	1	
10	4JT-23495-00	STAY, DAMPER	1	
11	91701-08038	PIN, CLEVIS	1	
12	91311-06025	BOLT	1	



4JT1100-4180

C10

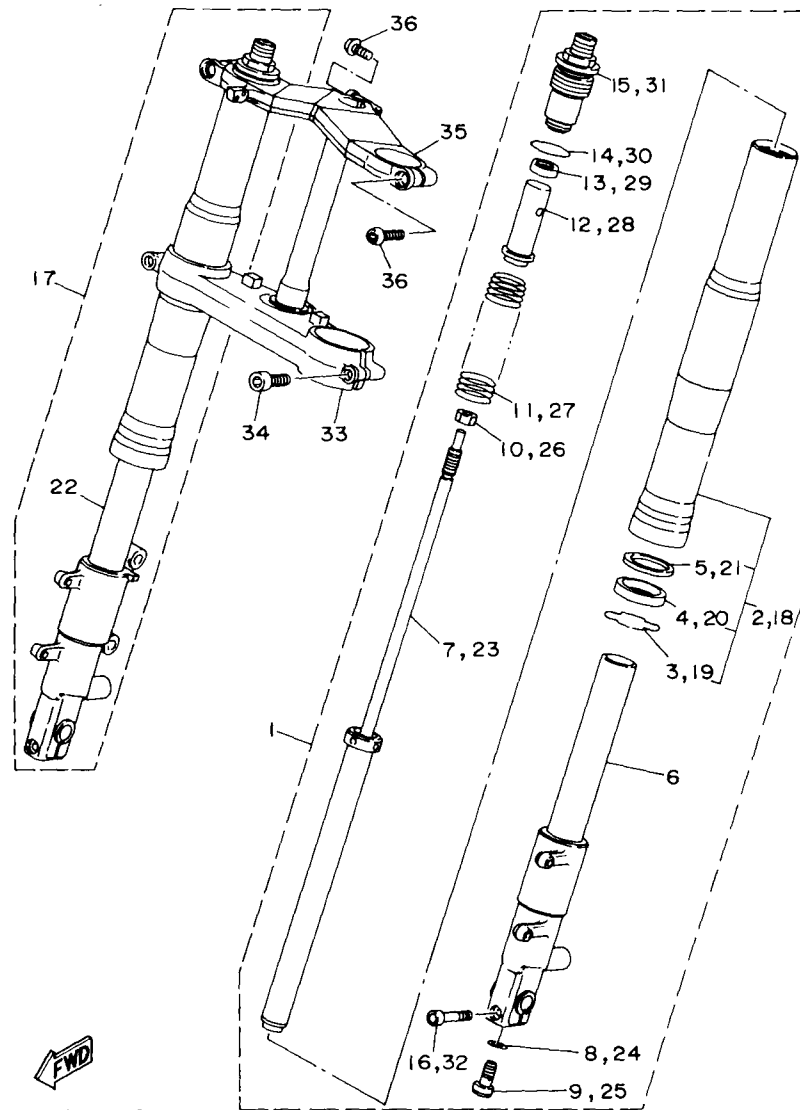
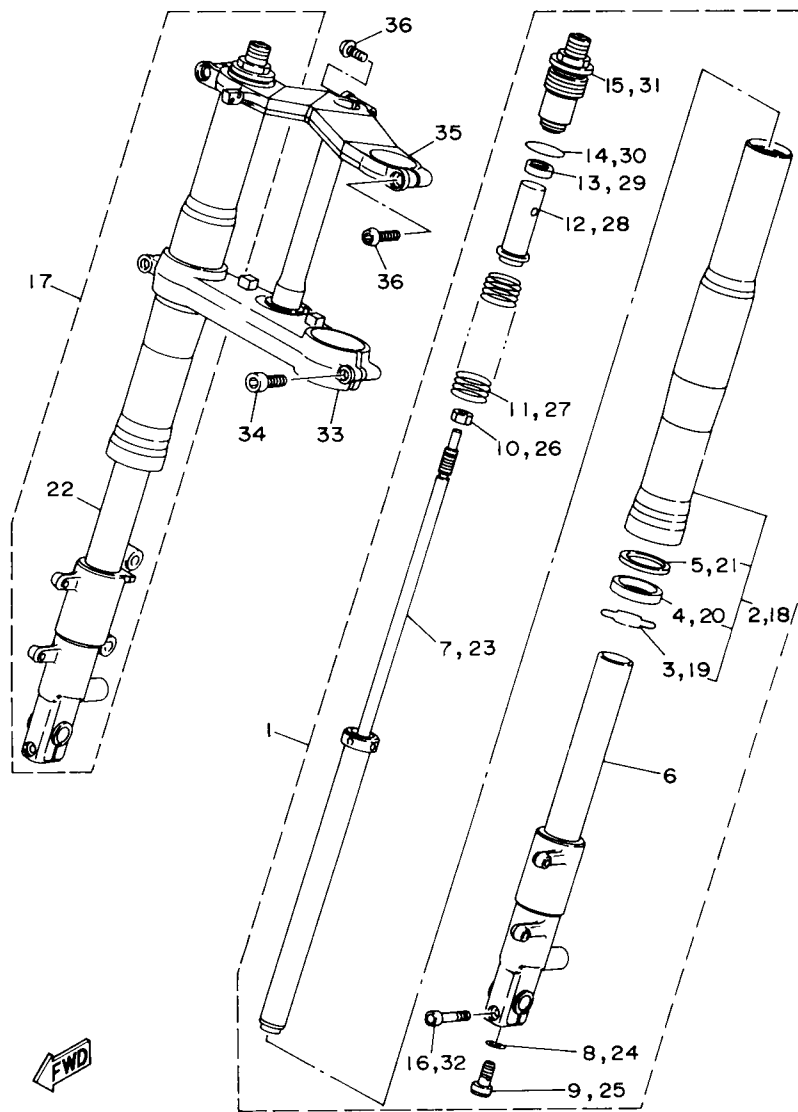


FIG. 19 FRONT FORK

REF. NO.	PART NO.	DESCRIPTION	Q'TY	REMARKS
1	4JT-23102-00	FRONT FORK ASSY (L.H)	1	
2	4JT-23136-00	.TUBE, OUTER (RIGHT)	1	
3	4A1-23156-00	..CLIP, OIL SEAL	1	
4	49A-23145-00	..OIL SEAL	1	
5	5K5-23149-00	..WASHER, SPRING UPPER	1	
6	4JT-23110-00	.INNER TUBE COMP. 1	1	
7	4JT-23170-00	.CYLINDER COMP., FRONT FORK	1	
8	2K8-23158-L0	.GASKET	1	
9	3LC-23181-00	.BOLT, HEXAGON SOCKET HEAD	1	
10	3XJ-23357-L0	.NUT	1	
11	4JT-23141-00	.SPRING, FRONT FORK	1	
12	4JT-23118-00	.SPACER	1	
13	3YL-2333K-00	.GUIDE	1	
14	4V4-23188-L0	.O-RING	1	
15	3TJ-23111-10	.BOLT, CAP	1	
16	1WG-23128-00	.BOLT, AXLE HOLDER	1	
17	4JT-23103-00	FRONT FORK ASSY (R.H)	1	
18	4JT-23136-00	.TUBE, OUTER (RIGHT)	1	
19	4A1-23156-00	..CLIP, OIL SEAL	1	
20	49A-23145-00	..OIL SEAL	1	
21	5K5-23149-00	..WASHER, SPRING UPPER	1	
22	4JT-23120-00	.INNER TUBE COMP. 2	1	
23	4JT-23170-00	.CYLINDER COMP., FRONT FORK	1	
24	2K8-23158-L0	.GASKET	1	
25	3LC-23181-00	.BOLT, HEXAGON SOCKET HEAD	1	
26	3XJ-23357-L0	.NUT	1	
27	4JT-23141-00	.SPRING, FRONT FORK	1	
28	4JT-23118-00	.SPACER	1	

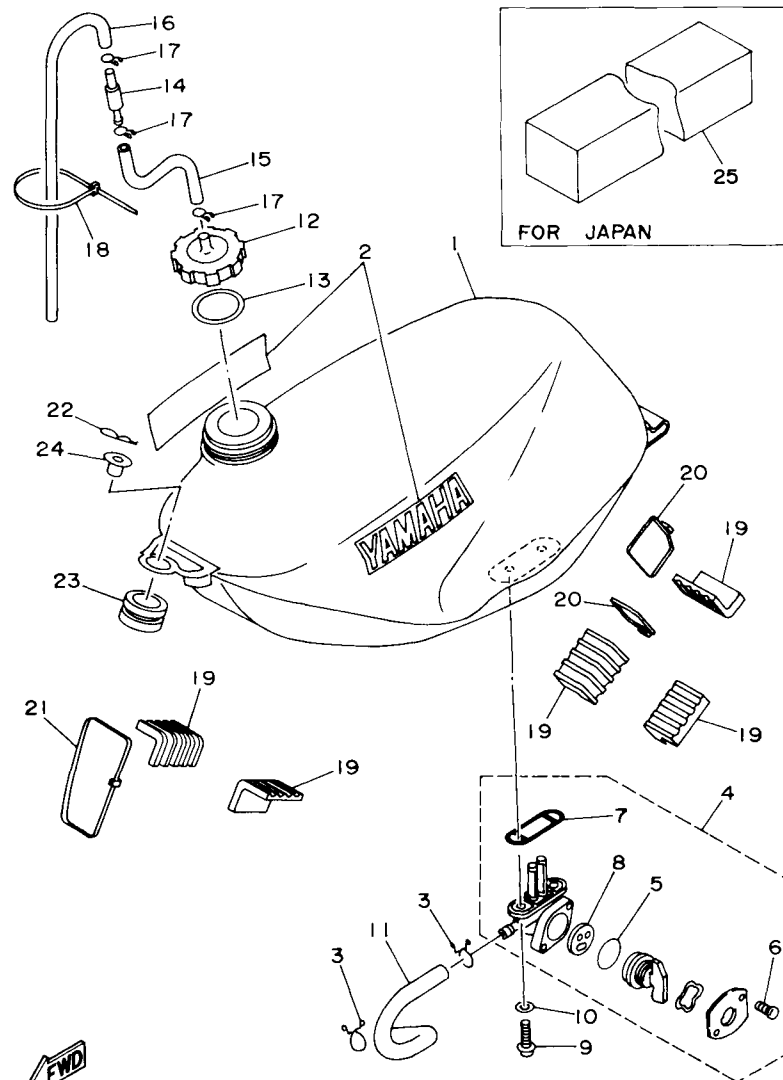


4JT1100-4190

FIG. 19 FRONT FORK

REF. NO.	PART NO.	DESCRIPTION	Q'TY	REMARKS
29	3YL-2333K-00	.GUIDE	1	
30	4V4-23188-L0	.O-RING	1	
31	3TJ-23111-10	.BOLT, CAP	1	
32	1WG-23128-00	.BOLT, AXLE HOLDER	1	
33	4JT-23340-00	UNDER BRACKET COMP.	1	
34	91316-10030	BOLT	2	
35	4JT-23435-00	CROWN, HANDLE	1	
36	3TC-23471-00	BOLT	3	

C12



4JT1100-4200

FIG. 20 FUEL TANK

REF. NO.	PART NO.	DESCRIPTION	Q'TY	REMARKS
1	4JT-24110-00-36	FUEL TANK COMP.	1	WHITE
2	99237-00140	EMBLEM, YAMAHA	2	AP
3	90467-10008	CLIP	2	
4	4JT-24500-00	FUEL COCK ASSY 1	1	
5	3AJ-24534-00	.SEAL, COCK	1	
6	98503-03008	.SCREW, PAN HEAD	2	
7	4X8-24512-00	.O-RING	1	
8	3AJ-24523-00	.VALVE	1	
9	90149-06008	SCREW	2	
10	90202-05187	WASHER, PLATE	2	
11	4JT-24311-00	PIPE, FUEL 1	1	
12	2A6-24611-00	BODY, CAP	1	
13	1W1-24612-00	GASKET, CAP	1	
14	3XJ-24380-00	PIPE JOINT ASSY	1	
15	91A20-05025	TUBE, FLEXIBLE VINYL	1	
16	91A21-05055	TUBE, FLEXIBLE	1	
17	90467-09006	CLIP	3	
18	90465-13169	CLAMP	1	
19	1RK-24182-00	DAMPER, LOCATING 2	5	
20	90464-14117	CLAMP	3	
21	90464-14117	CLAMP	2	
22	4JT-2411M-00	CLIP	1	
23	90480-18495	GROMMET	1	
24	90387-083U8	COLLAR	1	
25	4JT-2411R-00	PLATE 1	1	AP FOR JAPAN

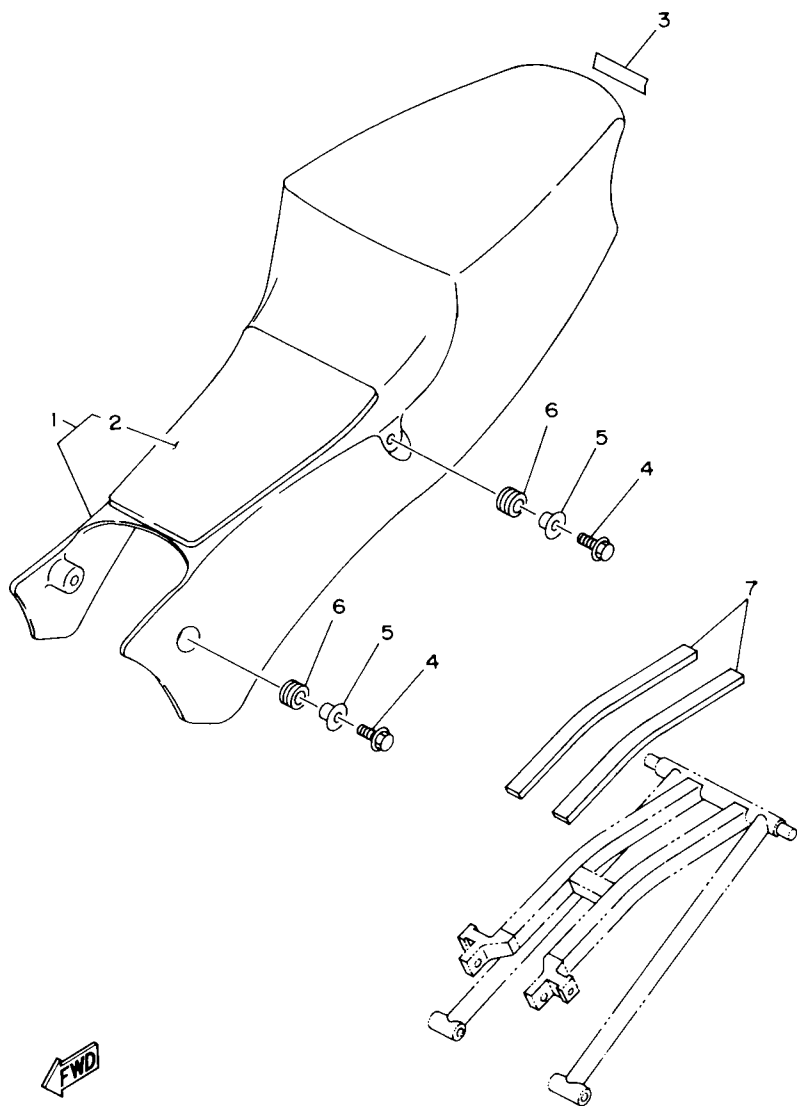


FIG. 21 SEAT

REF. NO.	PART NO.	DESCRIPTION	Q'TY	REMARKS
1	4JT-24710-00	SINGLE SEAT ASSY	1	
2	1RK-24763-00	.PAD, SEAT 2	1	
3	99237-00080	EMBLEM, YAMAHA	1	AP
4	95026-06020	BOLT, FLANGE	4	
5	90387-062L2	COLLAR	4	
6	90480-13018	GROMMET	4	
7	4A0-83541-00	DAMPER	2	


4JT1100-4210

C14

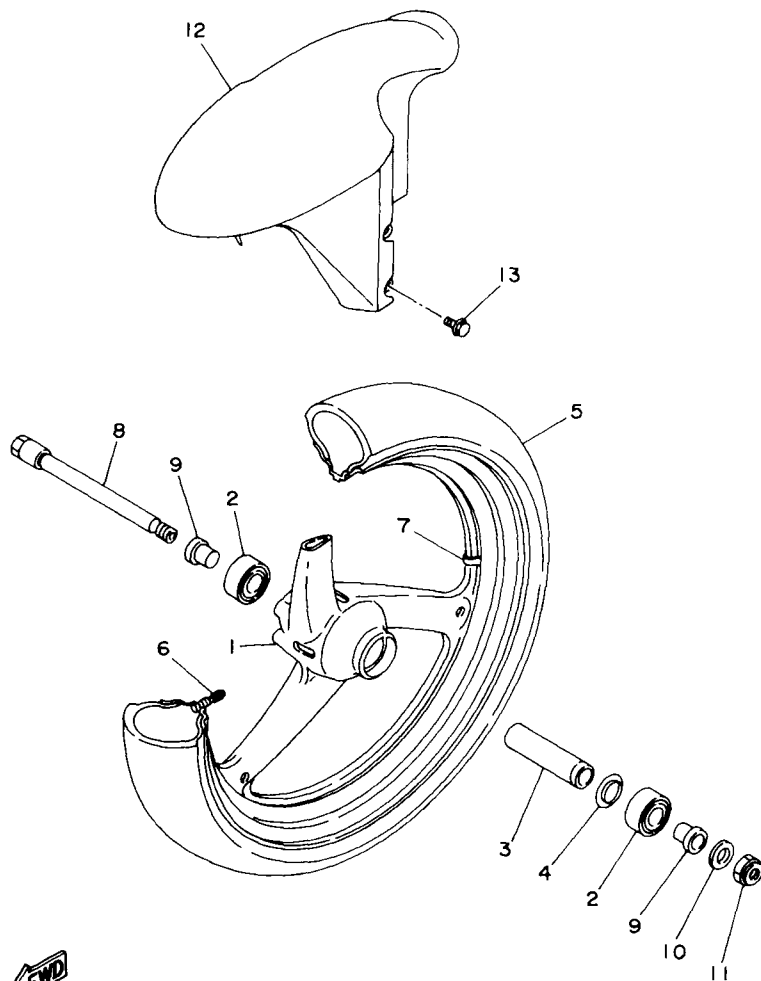


FIG. 22 FRONT WHEEL

REF. NO.	PART NO.	DESCRIPTION	Q'TY	REMARKS
1	4JT-25168-00-UA	CAST WHEEL, FRONT	1	CAST WHEEL WHITE
2	93306-00441	BEARING	2	
3	4JT-25117-00	SPACER, BEARING	1	
4	5Y9-25316-00	FLANGE, SPACER 2	1	
5	94126-1702P	TIRE (2.65/3.25-17 KR149)	1	DIRTY OP
6	93900-00003	VALVE, RIM	1	DIRTY OP
7	29L-25398-00	BALANCER, WHEEL (10G)	1	OP
	29L-25398-10	BALANCER, WHEEL (20G)	1	OP
	29L-25398-20	BALANCER, WHEEL (30G)	1	OP
8	4JT-25181-00	AXLE, WHEEL	1	
9	4JT-25183-00	COLLAR, WHEEL	1	
10	92990-14600	WASHER	1	
11	95611-14100	NUT, U	1	
12	4JT-21510-00	FRONT FENDER COMP.	1	
13	95021-06014	BOLT, FLANGE	1	


4JT1100-4220

C15

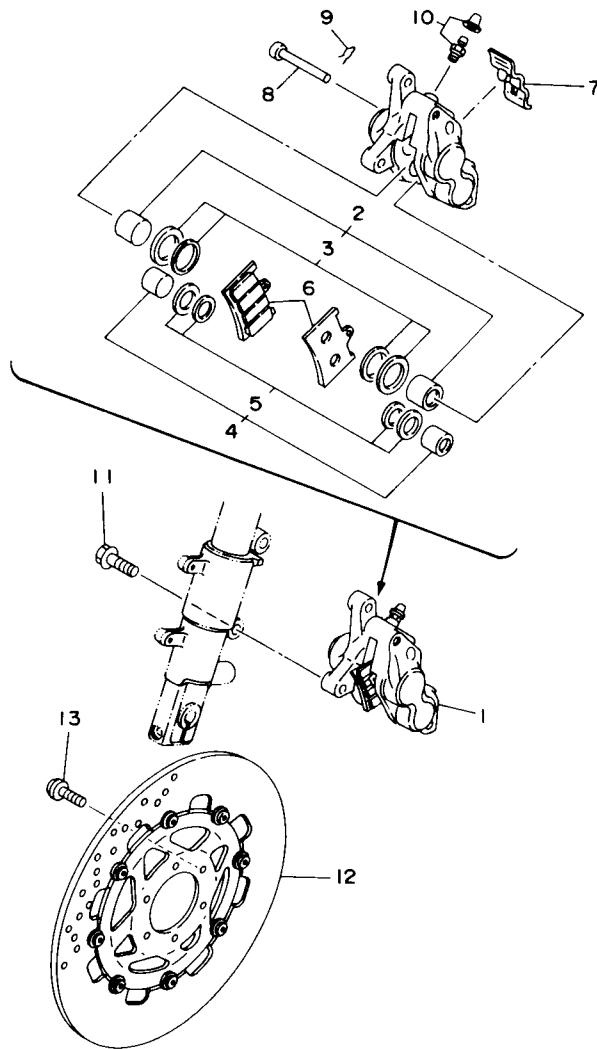


FIG. 23 FRONT BRAKE CALIPER

REF. NO.	PART NO.	DESCRIPTION	Q'TY	REMARKS
1	3XV-2580U-10	CALIPER ASSY (RIGHT)	1	
2	3GM-W0057-00	.PISTON ASSY, CALIPER	1	
3	3GM-W0047-00	..CALIPER SEAL KIT	1	
4	3MA-W0057-10	.PISTON ASSY, CALIPER	1	
5	3MA-W0047-10	..CALIPER SEAL KIT	1	
6	3MA-W0045-00	.BRAKE PAD KIT	1	
7	3MA-25919-00	.SUPPORT, PAD	1	
8	3MA-25924-00	.PIN, PAD	1	
9	3MA-25925-00	.CLIP	1	
10	1J3-W0048-00	.BREED SCREW KIT	1	
11	90105-10725	BOLT, WASHER BASED	2	
12	4DP-2581T-00	DISC BRAKE ASSY	1	
13	90109-08718	BOLT	6	



4JT1100-4230

D2

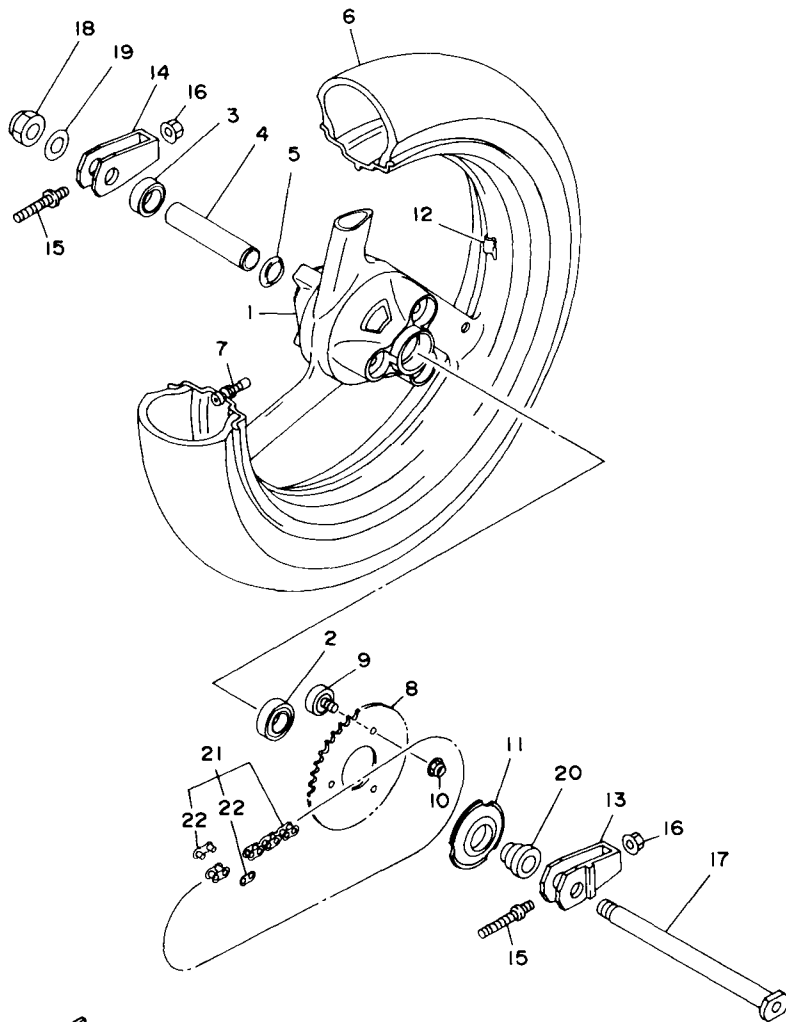


FIG. 24 REAR WHEEL

REF. NO.	PART NO.	DESCRIPTION	Q'TY	REMARKS
1	4JT-25338-00-UA	CAST WHEEL, REAR	1	CAST WHEEL WHITE
2	93306-07202	BEARING	1	
3	93306-00441	BEARING	1	
4	4JT-25317-00	SPACER, BEARING	1	
5	5Y9-25316-00	FLANGE, SPACER 2	1	
6	94111-1702N	TIRE (115/65R17 KR133)	1	DUNLOP
7	93900-00003	VALVE, RIM	1	DUNLOP
8	4JT-25436-00	SPROCKET, DRIVEN (36T)	1	STD
	4JT-25435-00	SPROCKET, DRIVEN (35T)	1	UR
	4JT-25437-00	SPROCKET, DRIVEN (37T)	1	UR
	4JT-25438-00	SPROCKET, DRIVEN (38T)	1	UR
	4JT-25439-00	SPROCKET, DRIVEN (39T)	1	UR
9	3YL-25364-00	DAMPER	3	
10	90185-08097	NUT, SELF-LOCKING	3	
11	4JT-25360-00	CLUTCH ASSY	1	
12	29L-25398-00	BALANCER, WHEEL (10G)	1	UR
	29L-25398-10	BALANCER, WHEEL (20G)	1	UR
	29L-25398-20	BALANCER, WHEEL (30G)	1	UR
13	4DP-25388-00	PULLER, CHAIN 1	1	
14	4DP-25389-00	PULLER, CHAIN 2	1	
15	4DP-25379-00	BOLT, CHAIN PULLAR	2	
16	95601-08200	NUT, SELF-LOCKING	2	
17	4JT-25381-00	AXLE, WHEEL	1	
18	90185-18104	NUT, SELF-LOCKING	1	
19	90201-18262	WASHER, PLATE	1	
20	4JT-25376-00	COLLAR, WHEEL	1	
21	94561-45120	CHAIN (RK415HR-120L)	1	STD=116L
22	94661-45031	.JOINT, CHAIN	1	



4JT1100-4240

D3

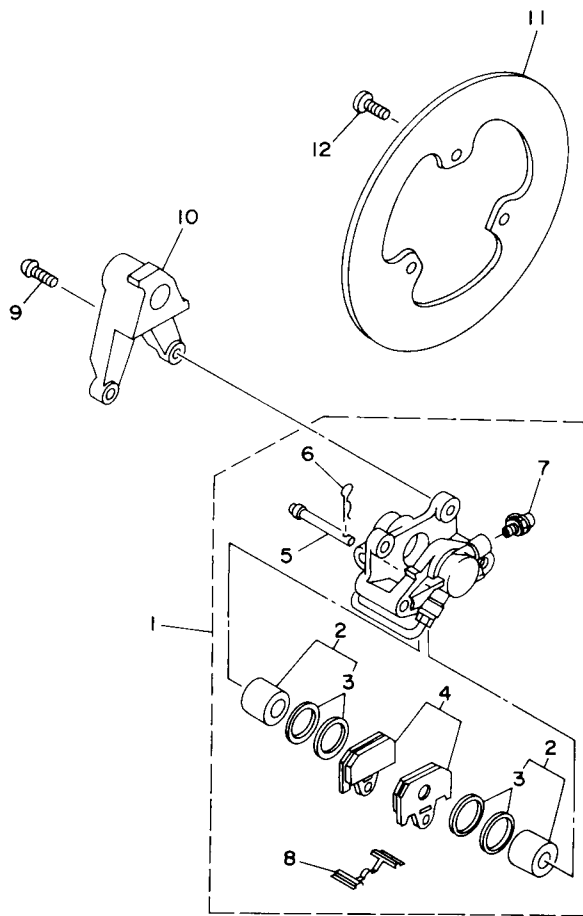


FIG. 25 REAR BRAKE CALIPER

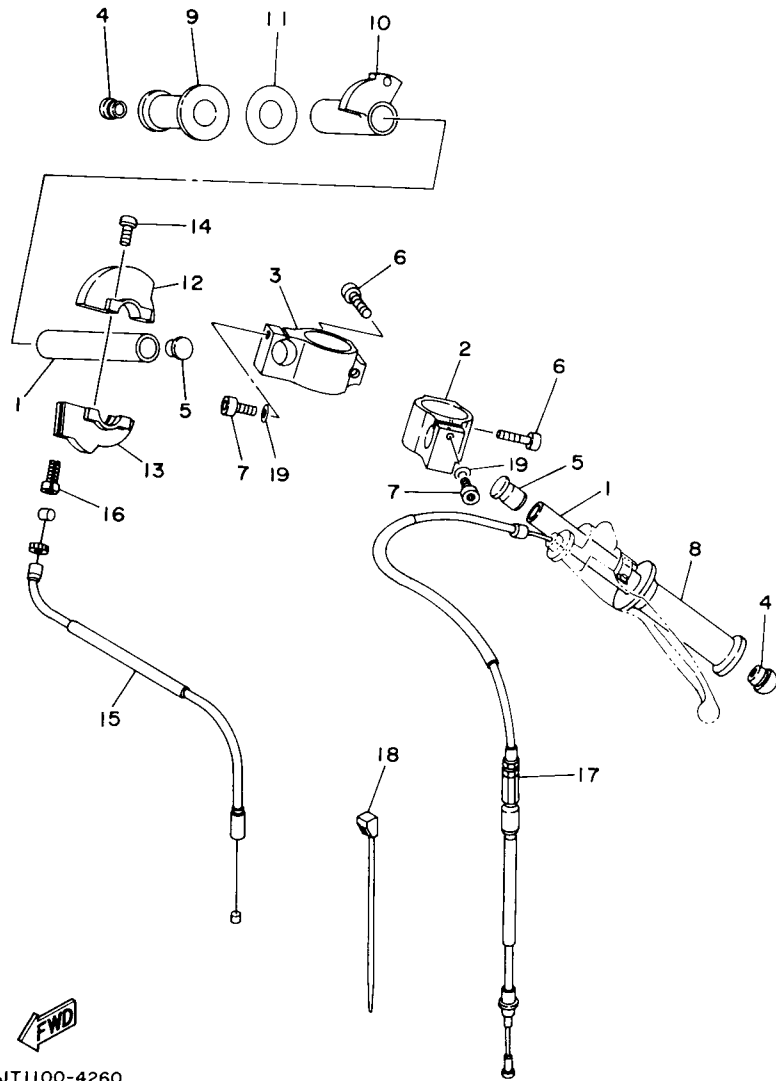
REF. NO.	PART NO.	DESCRIPTION	Q'TY	REMARKS
1	4DP-2580W-10	CALIPER ASSY, REAR 2	1	
2	4DP-W0057-00	.PISTON ASSY, CALIPER	1	
3	3LC-W0047-50	..CALIPER SEAL KIT	1	
4	4DP-W0046-00	.BRAKE PAD KIT 2	1	
5	4DP-25924-00	.PIN, PAD	1	
6	4DP-25925-00	.CLIP	1	
7	36Y-W0048-00	.BREED SCREW KIT	1	
8	3LC-25919-50	.SUPPORT, PAD	1	
9	92011-08020	BOLT, BUTTON HEAD	2	
10	4JT-25819-00	BRACKET, CALIPER	1	
11	4DP-2582W-00	DISC, REAR BRAKE 2	1	
12	90149-08152	SCREW	3	



3YL1100-1260

D4

FIG. 26 STEERING HANDLE. CABLE



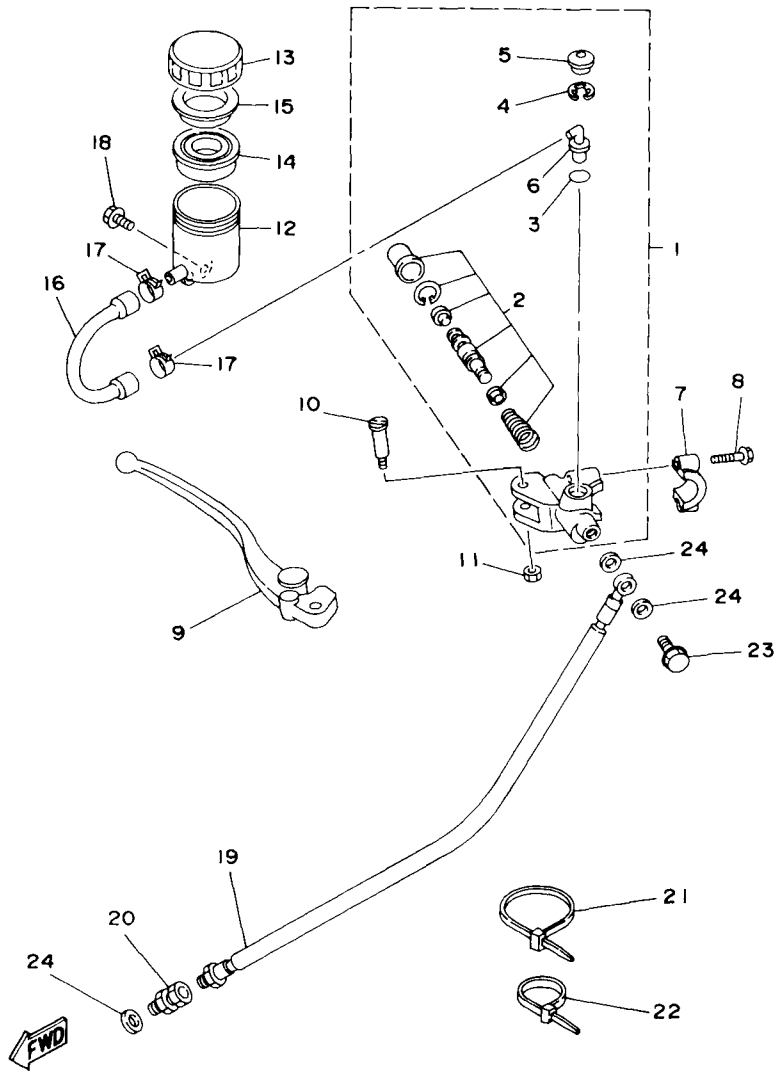
REF. NO.	PART NO.	DESCRIPTION	Q'TY	REMARKS
1	4JT-26112-00	BAR, HANDLE	2	
2	4JT-26223-00	BRACKET, HANDLE 1	1	
3	4JT-26224-00	BRACKET, HANDLE 2	1	
4	3YL-26246-00	END, GRIP	2	
5	90338-16148	PLUG	2	
6	91311-08030	BOLT	2	
7	91311-06030	BOLT	2	
8	47X-26241-00	GRIP (LEFT)	1	
9	47X-26242-00	GRIP (RIGHT)	1	
10	3YL-26243-00	TUBE, THROTTLE GUIDE	1	
11	3Y1-26249-00	RING, LEAF	1	
12	3YL-26281-00	CAP, GRIP UPPER	1	
13	3YL-26282-00	CAP, GRIP LOWER	1	
14	91312-05020	BOLT	2	
15	3YL-26311-01	CABLE, THROTTLE 1	1	
16	90123-06007	BOLT	1	
17	4JT-26335-00	CABLE, CLUTCH	1	
18	90464-14117	CLAMP	2	
19	92901-06200	WASHER	2	



4JT1100-4260

D5

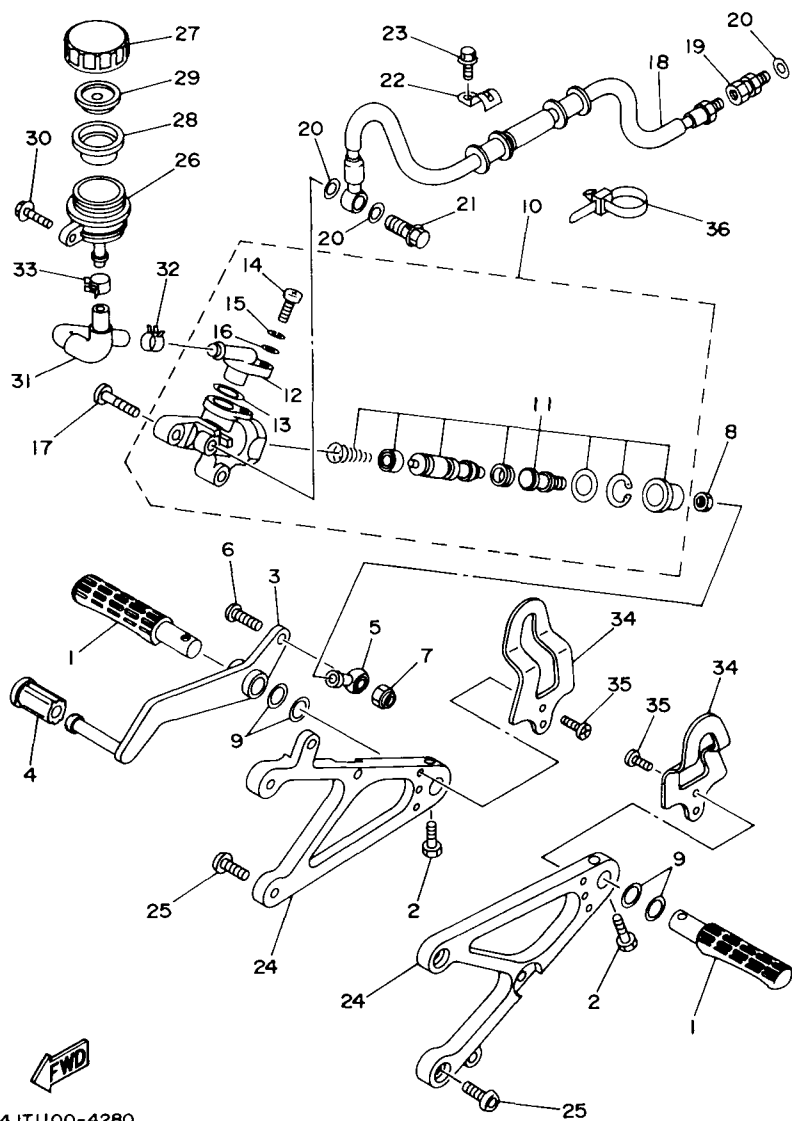
FIG. 27 FRONT MASTER CYLINDER



4JT1100-4270

REF. NO.	PART NO.	DESCRIPTION	Q'TY	REMARKS
1	4JT-W2587-00	MASTER CYLINDER SUB ASSY	1	
2	23L-W0041-00	.CYLINDER KIT, MASTER	1	
3	93210-15620	.O-RING	1	
4	2VN-25866-00	.CIRCLIP	1	
5	3FV-2589A-00	.COVER, DUST	1	
6	2VN-2582A-50	.JOINT	1	
7	56A-25867-00	BRACKET, MASTER CYLINDER	1	
8	95026-06025	BOLT, FLANGE	2	
9	3TJ-83922-00	LEVER 2	1	
10	3FV-2589F-00	BOLT, LEVER	1	
11	95616-06100	NUT, U	1	
12	3FV-25894-00	TANK, RESERVOIR	1	
13	3FV-25852-00	CAP, RESERVOIR	1	
14	3FV-25854-00	DIAPHRAGM, RESERVOIR	1	
15	2J2-25855-50	BUSH, DIAPHRAGM	1	
16	3YL-2582F-00	HOSE	1	
17	3PA-24356-00	CLIP, PIPE 1	2	
18	95021-06014	BOLT, FLANGE	1	
19	4JT-25872-00	HOSE, BRAKE 1	1	
20	3LC-25885-00	JOINT	1	
21	90464-14117	CLAMP	1	
22	90465-13169	CLAMP	1	
23	90401-10034	BOLT, UNION	1	
24	90201-10118	WASHER, PLATE	3	

D6

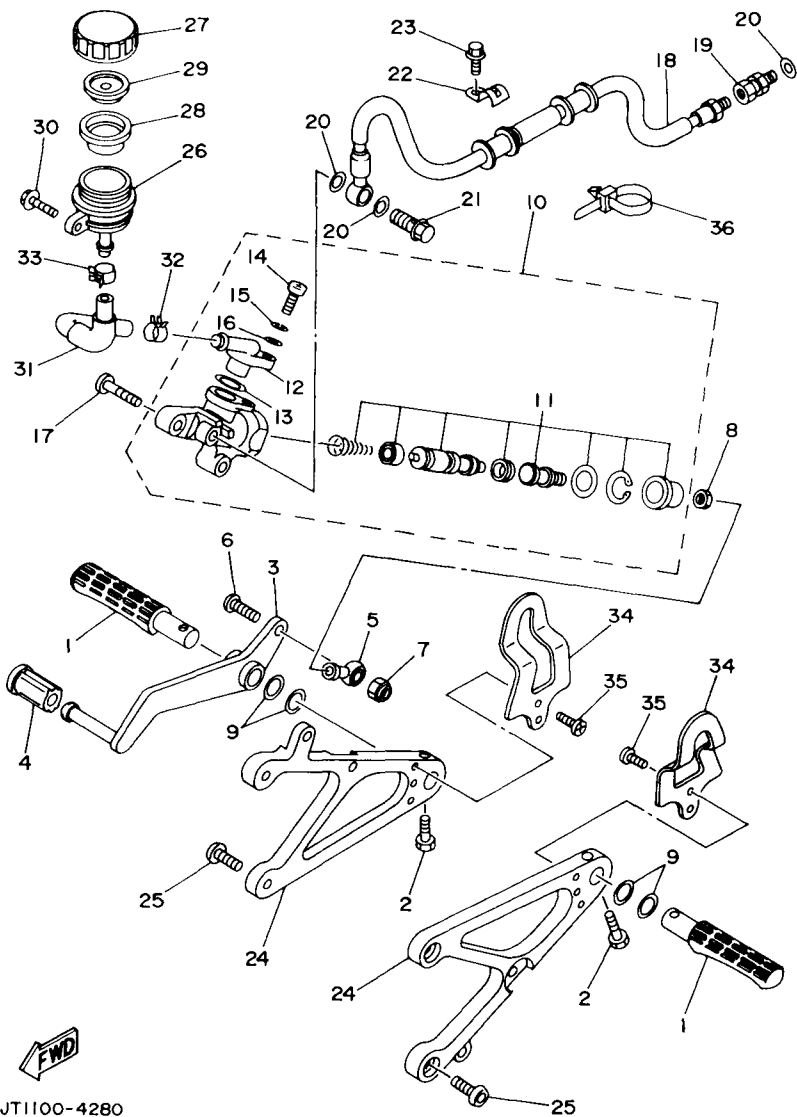


4JT1100-4280

FIG. 28 STAND. FOOTREST

REF. NO.	PART NO.	DESCRIPTION	Q'TY	REMARKS
1	4JT-27411-00	FOOTREST 1	2	
2	1RK-27434-00	BOLT	2	
3	4JT-27211-00	PEDAL, BRAKE	1	
4	240-18113-00	COVER, SHIFT PEDAL	1	
5	3YL-27222-00	JOINT	1	
6	92011-06020	BOLT, BUTTON HEAD	1	
7	95601-06100	NUT, U	1	
8	95380-06600	NUT	1	
9	90201-14212	WASHER, PLATE	4	
10	3YL-2583V-00	RR. MASTER CYLINDER ASSY	1	
11	3YL-W0042-50	.CYLINDER KIT, MASTER	1	
12	36Y-2582A-50	.JOINT	1	
13	93210-15620	.O-RING	1	
14	98511-04012	.SCREW, PAN HEAD	1	
15	92990-04100	.WASHER, SPRING	1	
16	92901-04600	.WASHER, PLATE	1	
17	92011-08025	BOLT, BUTTON HEAD	2	
18	4JT-25874-00	HOSE, BRAKE	1	
19	3LC-25885-00	JOINT	1	
20	90201-10118	WASHER, PLATE	3	
21	90401-10034	BOLT, UNION	1	
22	3XV-25876-00	HOLDER, BRAKE HOSE 2	2	
23	95026-06016	BOLT, FLANGE	2	
24	4JT-27412-00	BRACKET, FOOTREST 1	2	
25	92011-08020	BOLT, BUTTON HEAD	4	
26	2VN-25894-00	TANK, RESERVOIR	1	
27	2VN-25852-50	CAP, RESERVOIR	1	
28	2VN-25854-00	DIAPHRAGM, RESERVOIR	1	

D7

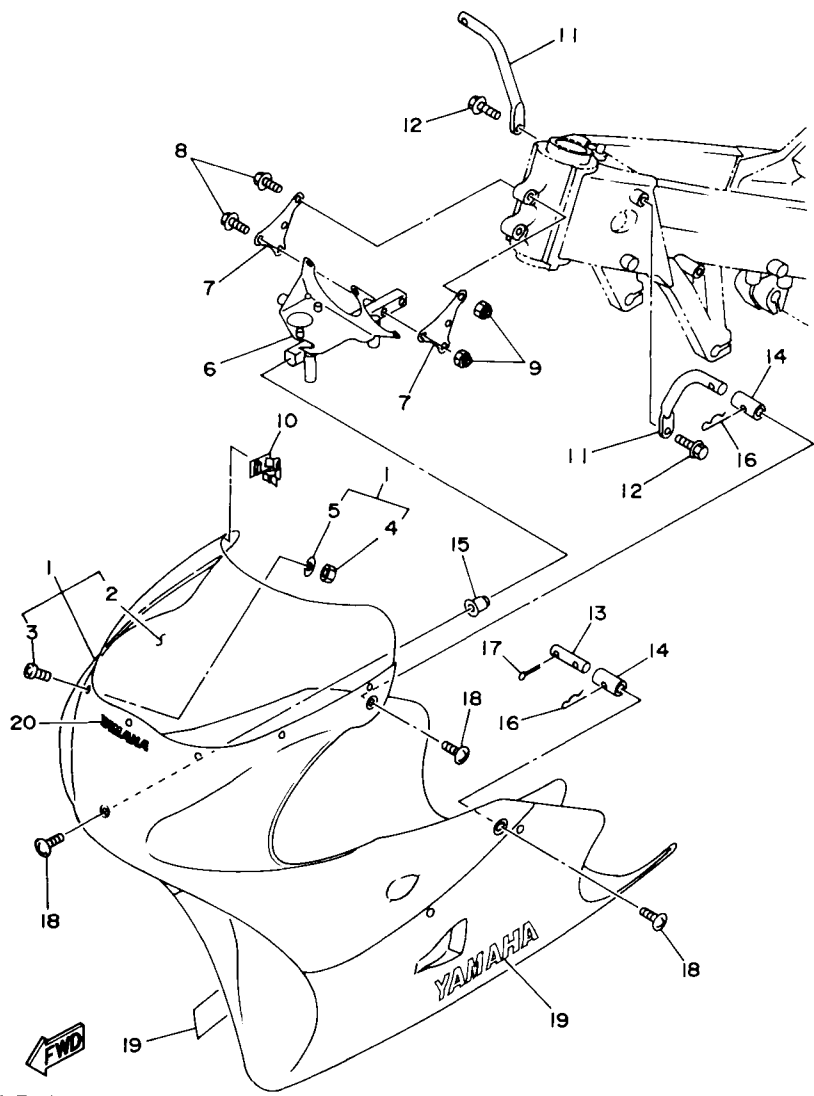


4JT1100-4280

FIG. 28 STAND. FOOTREST

REF. NO.	PART NO.	DESCRIPTION	Q'TY	REMARKS
29	2VN-25855-00	BUSH, DIAPHRAGM	1	
30	95811-06016	BOLT, FLANGE	1	
31	4JT-25895-00	HOSE, RESERVOIR	1	
32	90467-14057	CLIP	1	
33	90467-11044	CLIP	1	
34	4JT-27445-00	PLATE 1	2	
35	90154-05064	SCREW, BINDING	4	

D8



4JT1100-4290

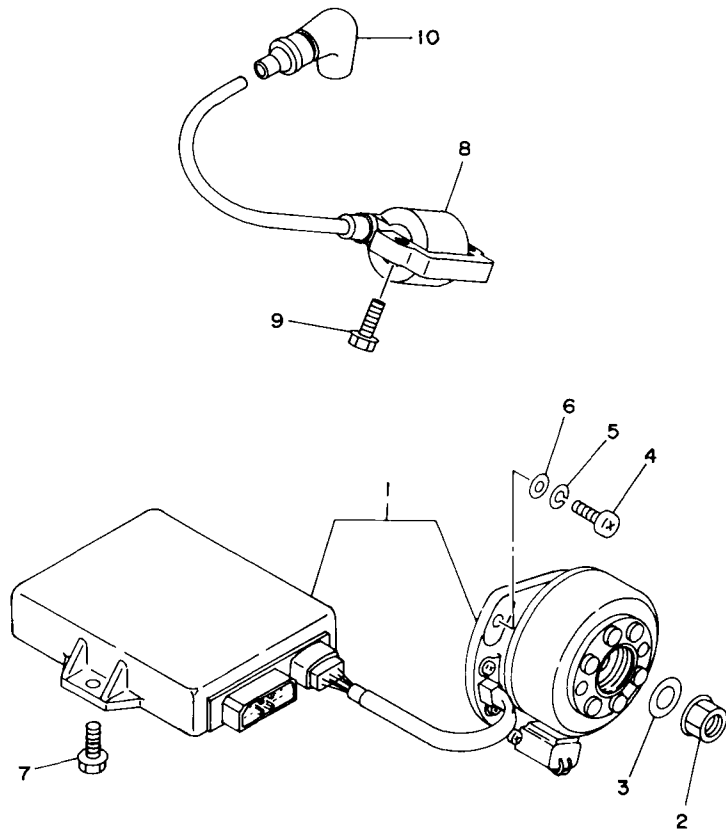
FIG. 29 COWLING 1

REF. NO.	PART NO.	DESCRIPTION	Q'TY	REMARKS
1	4JT-28350-00	COWLING ASSY	1	
2	4JT-28381-00	.WINDSHIELD	1	
3	98901-04010	.SCREW, BIND	7	
4	95601-04100	.NUT, U	7	
5	92990-04200	.WASHER, PLAIN	7	
6	4JT-28356-00	STAY 1	1	
7	4JT-2836A-00	BRACKET 1	1	
8	95023-06030	BOLT	4	
9	95611-06100	NUT, U	4	
10	90464-25160	CLAMP	1	
11	4JT-28321-00	STAY 1	2	
12	95021-06014	BOLT, FLANGE	2	
13	3YL-28358-00	STAY 3	2	
14	4A0-28364-00	NUT	4	
15	4DP-28362-00	NUT	1	
16	4DP-28334-00	CLIP, COWLING	4	
17	91401-25030	PIN, COTTER	2	
18	90150-06031	SCREW, ROUND HEAD	5	
19	99237-00280	EMBLEM, YAMAHA	2 AP	
20	99237-00100	EMBLEM, YAMAHA	1 AP	

D9

FIG. 30 GENERATOR

REF. NO.	PART NO.	DESCRIPTION	Q'TY	REMARKS
1	4JT-85501-00	C.D.I. MAGNETO SET	1	
2	90179-12421	NUT	1	
3	90201-127E1	WASHER, PLATE	1	
4	98580-06020	SCREW, PAN HEAD	2	
5	92995-06100	WASHER, SPRING	2	
6	92901-06600	WASHER, PLATE	2	
7	95023-06020	BOLT	2	
8	4DP-82310-00	IGNITION COIL ASSY	1	
9	95023-06020	BOLT	2	
10	81E-82370-20	PLUG CAP ASSY	1	



4JT1100-4300

D10

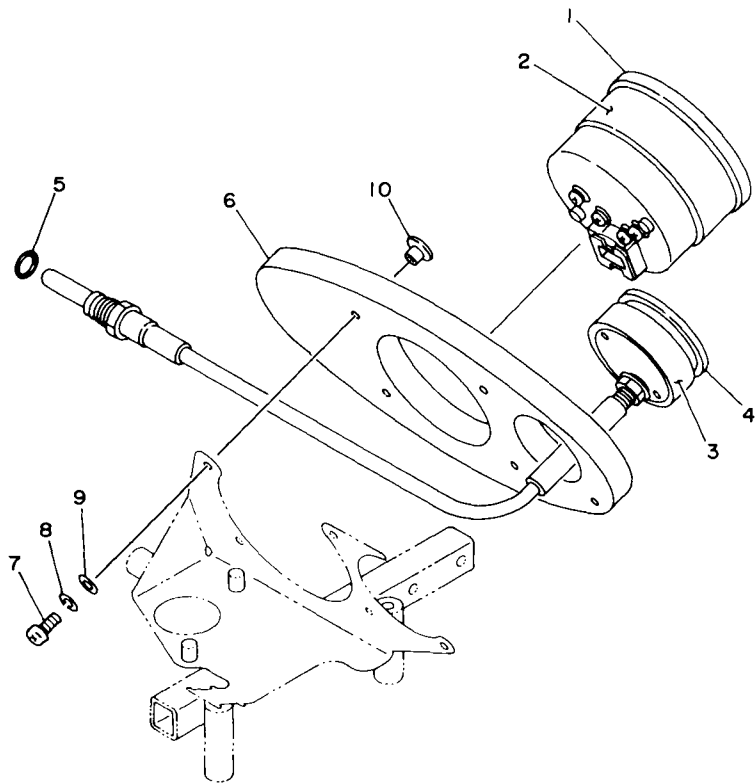


FIG. 31 METER

REF. NO.	PART NO.	DESCRIPTION	QTY	REMARKS
1	3YL-83540-00	TACHOMETER ASSY	1	
2	4A0-83541-00	DAMPER	1	
3	3YF-24724-01	DAMPER, SEAT	1	
4	4JT-83590-00	WATER TEMPERATURE ASSY	1	
5	93210-10118	O-RING	1	
6	3LC-83611-00	PANEL, METER	1	
7	98580-04010	SCREW, PAN HEAD	5	
8	92901-04100	WASHER, SPRING	5	
9	92901-04600	WASHER, PLATE	5	
10	4A0-83522-00	COLLAR	5	



4JT1100-4310

D11

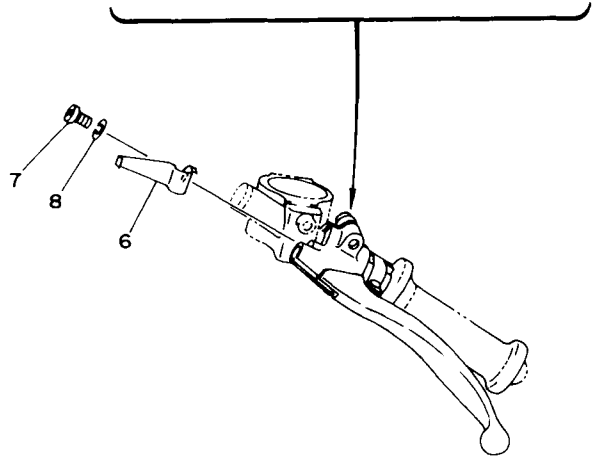
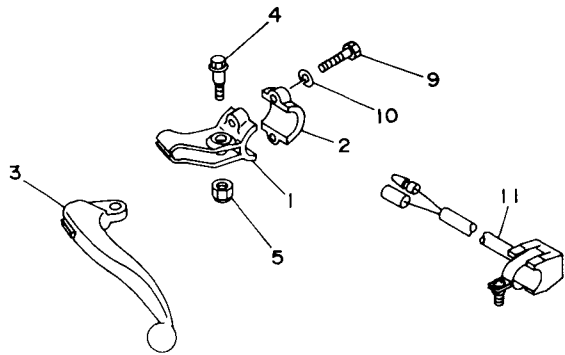


FIG. 32 HANDLE SWITCH. LEVER

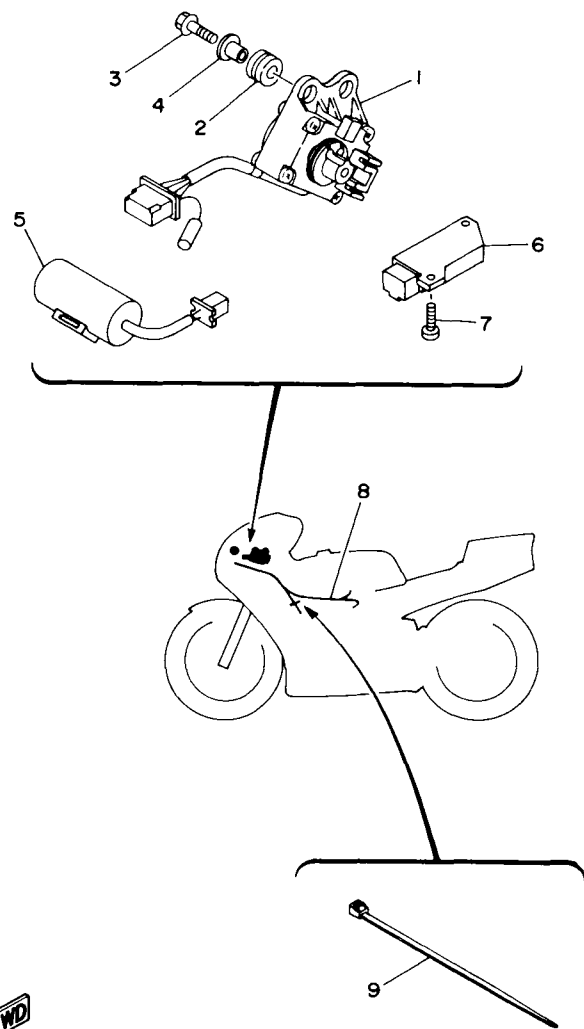
REF. NO.	PART NO.	DESCRIPTION	Q'TY	REMARKS
1	5F6-82911-00	HOLDER, LEVER 1	1	
2	4V4-82913-00	HOLDER, LEVER LOWER 1	1	
3	214-83912-00	LEVER 1	1	
4	90109-06799	BOLT	1	
5	95616-06100	NUT, U	1	
6	5F6-26368-00	SPRING, LOCK	1	
7	98501-05008	SCREW, PAN HEAD	1	
8	92901-05100	WASHER, SPRING	1	
9	97006-05020	BOLT	2	
10	92906-05100	WASHER, SPRING	2	
11	3LC-83976-00	SWITCH, HANDLE 1	1	



4JT1100-4320

D12

FIG. 33 ELECTRICAL 1



REF. NO.	PART NO.	DESCRIPTION	QTY	REMARKS
1	4JT-85820-00	SERVO MOTOR ASSY	1	
2	90480-14023	GROMMET	2	
3	95023-06025	BOLT	2	
4	90387-06388	COLLAR	2	
5	3TC-81965-00	CONDENSER, SMOOTHING	1	
6	1JK-81960-A1	RECTIFIER & REGULATOR ASSY	1	
7	98580-06020	SCREW, PAN HEAD	2	
8	4JT-82590-00	WIRE HARNESS ASSY	1	
9	90464-14117	CLAMP	4	

FWD

4JT1100-4330

D13