

PARTS CATALOGUE

TZ250(4TW4)

'98.10発行

YAMAHA
GENUINE
Parts & Accessories

194TW-010E1

4TW-28198-19-E1



CONTENTS

ENGINE

CYLINDER HEAD	B2
CRANKSHAFT. PISTON	B4
COUNTER SHAFT	B5
WATER PUMP	B6
RADIATOR. HOSE	B7
OIL PUMP	B8
INTAKE	B9
CARBURETOR	B10
EXHAUST	B13
CRANKCASE	B14
CLUTCH	B15
TRANSMISSION	C3
SHIFT CAM. FORK	C5
SHIFT SHAFT	C6

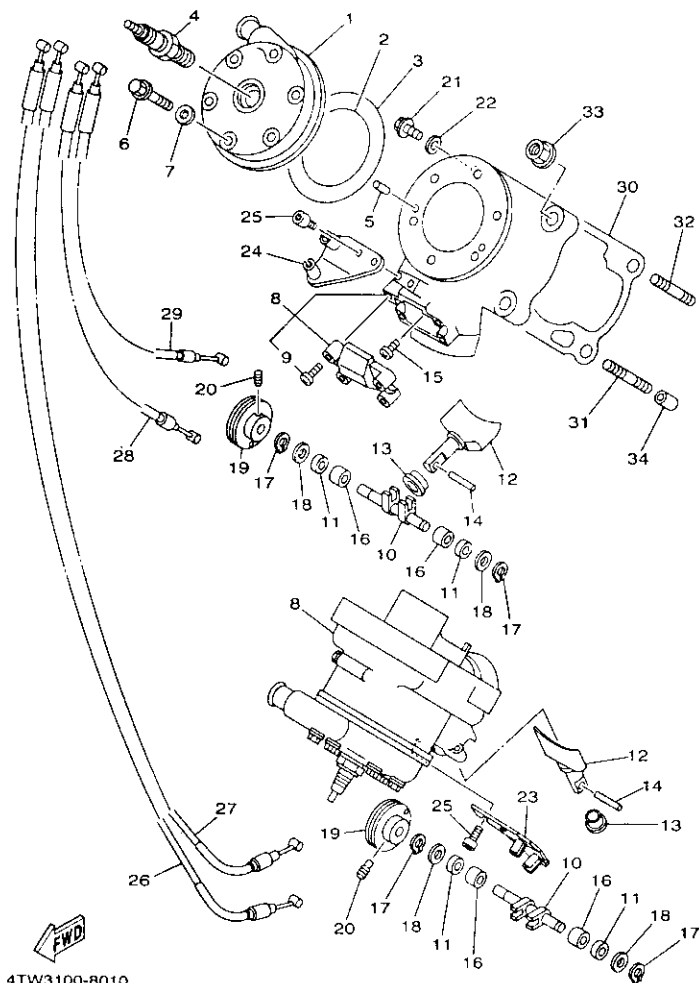
CHASSIS

FRAME	C7
REAR ARM	C9
REAR SUSPENSION	C10
STEERING	C11
FRONT FORK	C12
FUEL TANK	C14
SEAT	D2
FRONT WHEEL	D3
FRONT BRAKE CALIPER	D4
REAR WHEEL	D5
REAR BRAKE CALIPER	D7
STEERING HANDLE. CABLE	D8
FRONT MASTER CYLINDER	D9
STAND. FOOTREST	D11
COWLING 1	D13
GENERATOR	D15

METER	E2
HANDLE SWITCH. LEVER	E3
ELECTRICAL 1	E4

INDEX

NUMERICAL INDEX	M1
-----------------------	----

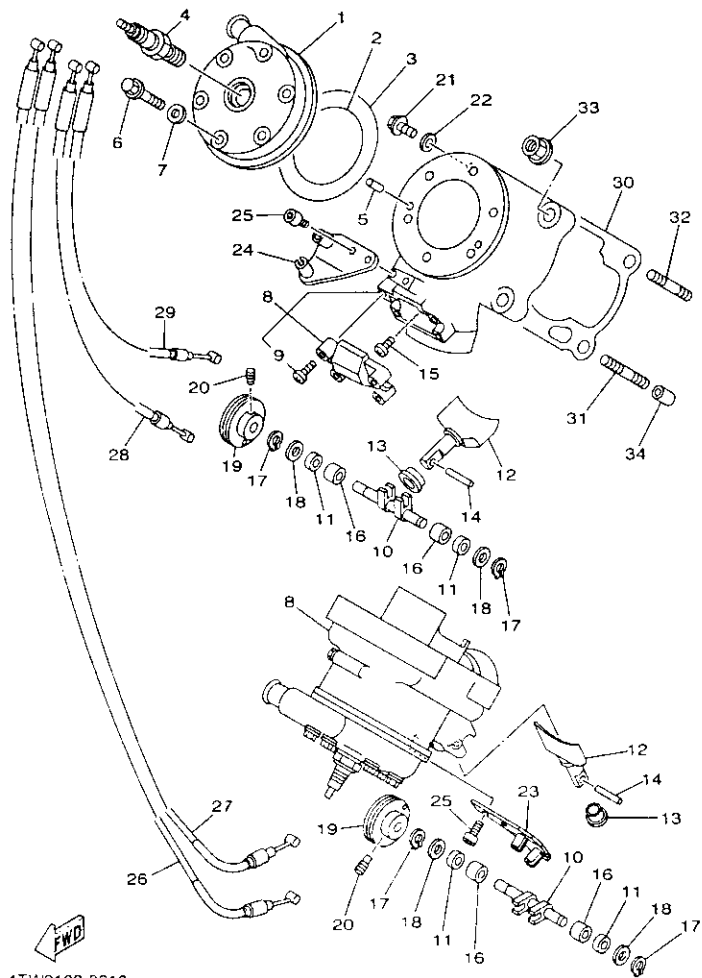


4TW3100-8010

FIG. 1 CYLINDER HEAD

REF. NO.	PART NO.	DESCRIPTION	USA	EUR	OCE	IPN	REMARKS
1	4TW-1111-00	HEAD, CYLINDER 1	2	2	2	2	
2	93210-63442	O-RING	2	2	2	2	
3	93210-88696	O-RING	2	2	2	2	
4	94702-00374	PLUG, SPARK (R6179A-105P)	2	2	2		NGK
	94709-00374	PLUG, SPARK (R6179A-105P)				2	NGK
5	93604-08071	PIN, DOWEL	4	4	4	4	
6	90105-063A0	BOLT, WASHER BASED	12	12	12	12	
7	90430-06166	GASKET	12	12	12	12	
8	4DP-11310-20	CYLINDER	2	2	2	2	
9	98907-05020	SCREW, BIND	4	4	4	4	
10	3LC-1131V-00	SHAFT 1	2	2	2	2	
11	93104-08040	OIL SEAL	4	4	4	4	
12	3YL-1131A-01	VALVE 1	2	2	2	2	
13	1RK-1131E-00	HOLDER 1	2	2	2	2	
14	93604-26256	PIN, DOWEL	2	2	2	2	
15	98907-05010	SCREW, BIND	2	2	2	2	
16	90380-08192	BUSH, SOLID	4	4	4	4	
17	93440-08130	CIRCLIP	4	4	4	4	
18	90201-08403	WASHER, PLATE	4	4	4	4	
19	4DP-1132E-00	PULLEY 1	2	2	2	2	
20	90149-05149	SCREW	2	2	2	2	
21	95827-06010	BOLT, FLANGE	2	2	2	2	
22	90430-06166	GASKET	2	2	2	2	
23	3YL-11932-10	SETTER, WIRE	1	1	1	1	
24	3YL-11932-00	SETTER, WIRE	1	1	1	1	
25	91317-05010	BOLT	4	4	4	4	
26	4TW-1133E-00	CABLE, PULLEY 1	1	1	1	1	CLOSE

FIG. 1 CYLINDER HEAD



4TW3100-8010

REF. NO.	PART NO.	DESCRIPTION	USA	EUR	OC	JPN	REMARKS
27	4TW-1133F-00	CABLE, PULLEY 2	1	1	1	1	OPEN
28	4TW-1133G-00	CABLE, PULLEY 3	1	1	1	1	CLOSE
29	4TW-1133H-00	CABLE, PULLEY 4	1	1	1	1	OPEN
30	4JT-11351-02	GASKET, CYLINDER (0.8T)	2	2	2	2	STD
	4JT-11351-12	GASKET, CYLINDER (0.7T)	2	2	2	2	AP
	4JT-11351-22	GASKET, CYLINDER (0.6T)	2	2	2	2	AP
	4DP-11351-31	GASKET, CYLINDER (0.5T)	2	2	2	2	AP
31	90116-08409	BOLT, STUD	4	4	4	4	
32	90116-08564	BOLT, STUD	4	4	4	4	
33	95707-08500	NUT, FLANGE	8	8	8	8	
34	99510-10114	PIN, DOWEL	4	4	4	4	

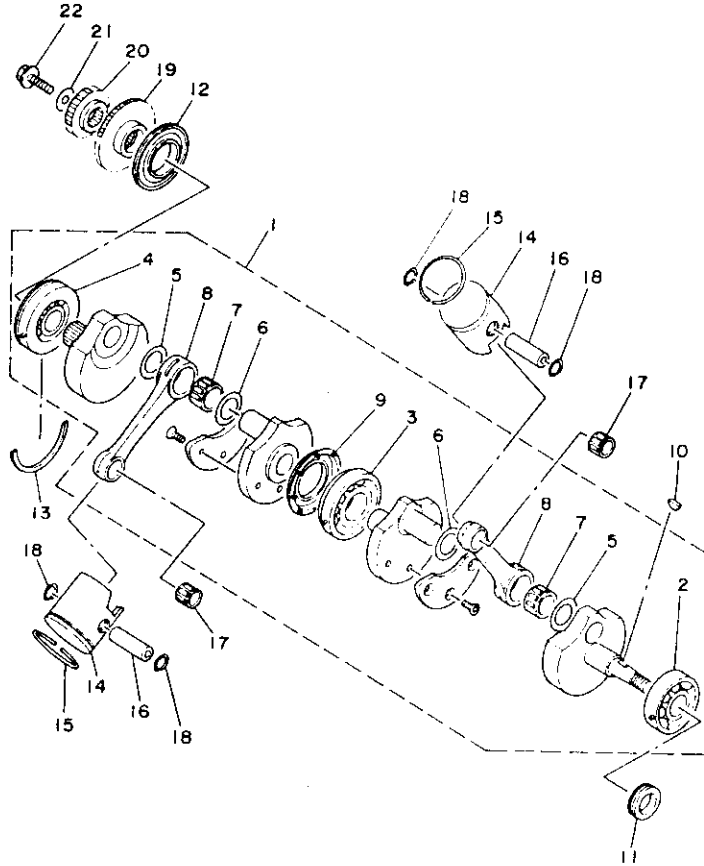


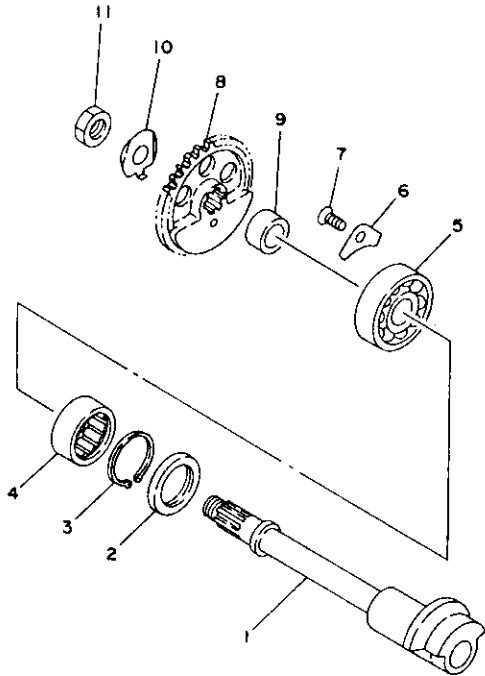
FIG. 2 CRANKSHAFT, PISTON

REF. NO.	PART NO.	DESCRIPTION	USA	EUR	OC	JP	REMARKS
1	4DP-11400-02	CRANKSHAFT ASSY	1	1	1	1	
2	93306-30564	.BEARING	1	1	1	1	
3	93306-30632	.BEARING	1	1	1	1	
4	93306-30563	.BEARING	1	1	1	1	
5	90209-24327	.WASHER	2	2	2	2	
6	90209-24315	.WASHER	2	2	2	2	
7	93310-524P1	.BEARING	2	2	2	2	
8	3XV-11651-20	.ROD, CONNECTING	2	2	2	2	
9	93101-44160	.OIL SEAL	1	1	1	1	
10	90280-04001	KEY, WOODRUFF	1	1	1	1	
11	93102-25438	OIL SEAL	1	1	1	1	
12	93103-35173	OIL SEAL	1	1	1	1	
13	93440-72049	CIRCLIP	1	1	1	1	
14	4DP-11631-02-A0	PISTON (STD)	2	2	2	2	
	4DP-11631-02-B0	PISTON (STD)	2	2	2	2	
	4DP-11631-02-C0	PISTON (STD)	2	2	2	2	
	4DP-11631-02-D0	PISTON (STD)	2	2	2	2	
15	1RK-11611-01	RING, PISTON	2	2	2	2	
16	137-11633-10	PIN, PISTON	2	2	2	2	
17	93310-316D5	BEARING	2	2	2	2	
18	93450-17129	CIRCLIP	4	4	4	4	
19	3YL-11536-01	GEAR, DRIVE	1	1	1	1	
20	3YL-16111-00	GEAR, PRIMARY DRIVE	1	1	1	1	
21	90201-10144	WASHER, PLATE	1	1	1	1	
22	90105-10445	BOLT, WASHER BASED	1	1	1	1	



3YL100-1020

FIG. 3 COUNTER SHAFT

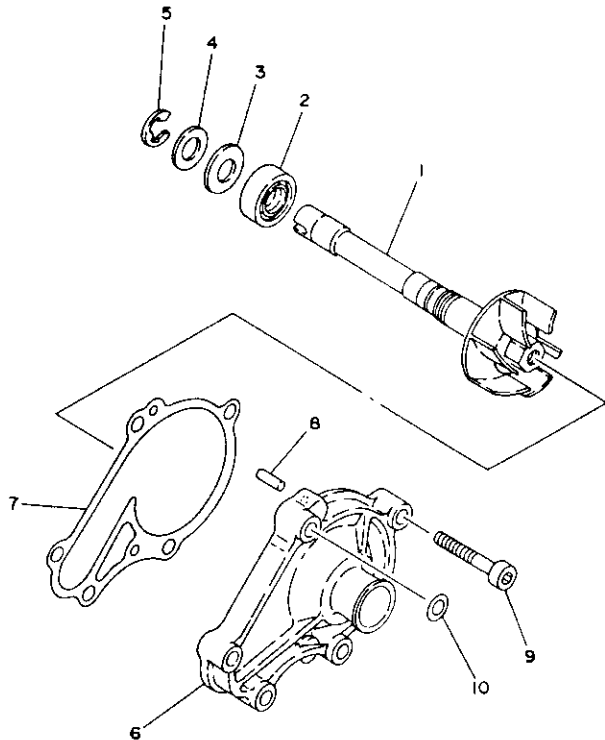


REF. NO.	PART NO.	DESCRIPTION	USA	EUR	OCE	JPN	REMARKS
			1	1	1	1	
1	3YL-11455-01	SHAFT 1	1	1	1	1	
2	93102-25404	OIL SEAL	1	1	1	1	
3	99009-37500	CIRCLIP	1	1	1	1	
4	93311-62574	BEARING	1	1	1	1	
5	93306-30316	BEARING	1	1	1	1	
6	2K7-15383-00	PLATE, BEARING COVER	1	1	1	1	
7	90151-06041	SCREW, COUNTERSUNK	1	1	1	1	
8	3YL-11531-00	GEAR, BALANCE WT	1	1	1	1	
9	90387-172K2	COLLAR	1	1	1	1	
10	90215-14204	WASHER, LOCK	1	1	1	1	
11	90170-14171	NUT	1	1	1	1	



3YL1100-1030

FIG. 4 WATER PUMP

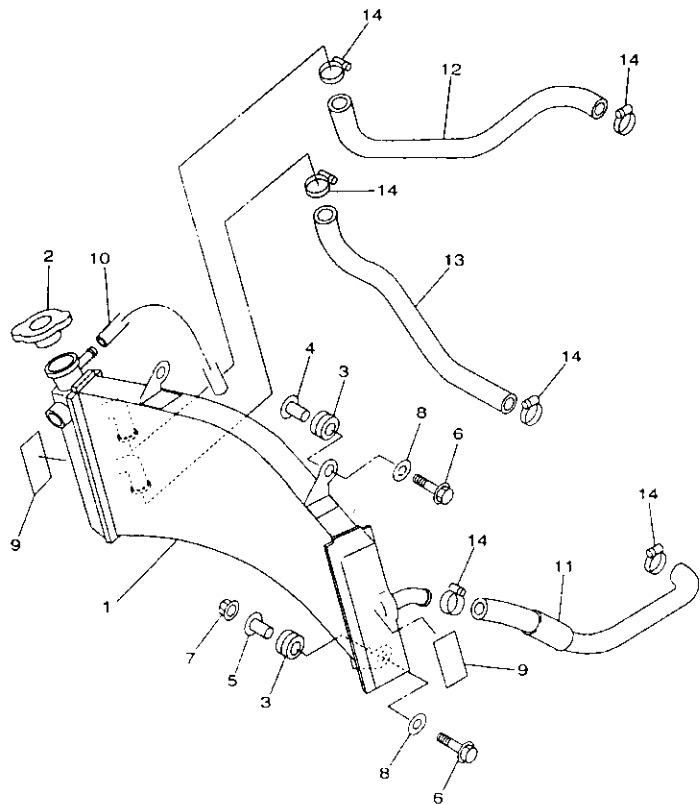


REF. NO.	PART NO.	DESCRIPTION	USA	EUR	OC	JPN	REMARKS
1	3XV-12450-00	IMPELLER SHAFT ASSY	1	1	1	1	
2	93103-12119	OIL SEAL	1	1	1	1	
3	90201-114P2	WASHER, PLATE (1.0)	1	1	1	1	
4	90201-114P4	WASHER, PLATE (2.0)	1	1	1	1	
5	99009-11400	CIRCLIP	1	1	1	1	
6	3XV-12422-00	COVER, HOUSING	1	1	1	1	
7	3XV-12428-01	GASKET, HOUSING COVER 2	1	1	1	1	
8	93604-10011	PIN, DOWEL	2	2	2	2	
9	91317-06025	BOLT	5	5	5	5	
10	90430-06166	GASKET	1	1	1	1	



4DP1100-2040

FIG. 5 RADIATOR. HOSE

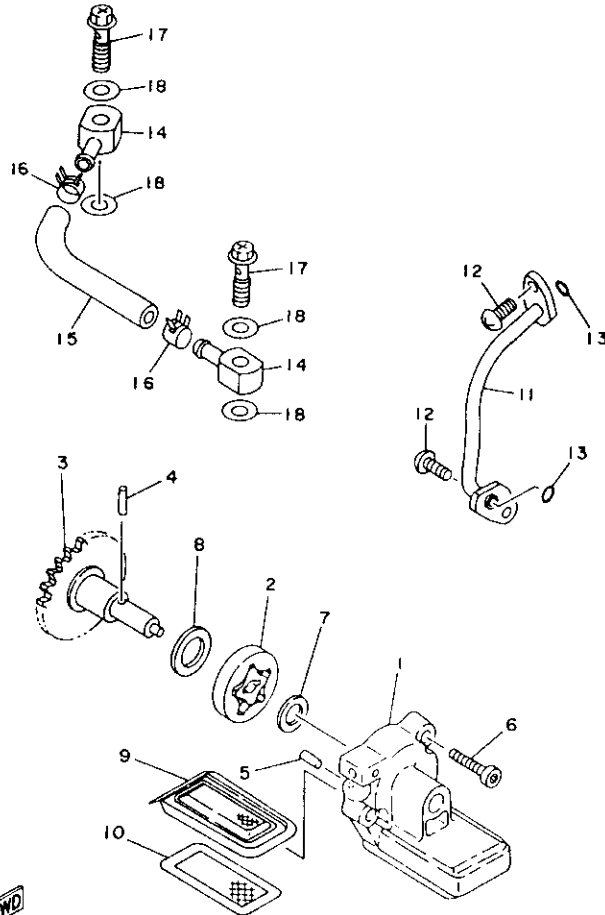


REF. NO.	PART NO.	DESCRIPTION	USA	EUR	OSE	JPN	REMARKS
1	4TW-12461-00	RADIATOR ASSY	1	1	1	1	
2	22W-12462-00	CAP, RADIATOR	1	1	1	1	
3	90480-15363	GROMMET	3	3	3	3	
4	90387-066N1	COLLAR	2	2	2	2	
5	90387-063E6	COLLAR	1	1	1	1	
6	95027-06030	BOLT, FLANGE	3	3	3	3	
7	95607-06200	NUT, SELF U-FLANGE	1	1	1	1	
8	90201-06571	WASHER, PLATE	3	3	3	3	
9	3YL-12232-00	DAMPER	2	2	2	2	
10	90445-09251	HOSE	1	1	1	1	
11	4TW-12482-00	PIPE 2	1	1	1	1	
12	4TW-12483-00	PIPE 3	1	1	1	1	
13	4TW-12484-10	PIPE 4	1	1	1	1	
14	90460-20190	CLAMP, HOSE	6	6	6	6	



4TW1100-6050

FIG. 6 OIL PUMP



4DP1100-2060

REF. NO.	PART NO.	DESCRIPTION	USA	EUR	OCE	JPN	REMARKS
1	3XV-13316-00	COVER, PUMP	1	1	1	1	
2	5H0-13310-00	ROTOR ASSY 1	1	1	1	1	
3	4DP-Y1332-00	GEAR, PUMP	1	1	1	1	
4	93603-12030	PIN, DOWEL	1	1	1	1	
5	93604-10011	PIN, DOWEL	2	2	2	2	
6	91317-05020	BOLT	3	3	3	3	
7	90201-08512	WASHER, PLATE	1	1	1	1	
8	90201-127E1	WASHER, PLATE	1	1	1	1	
9	3XV-13411-00	STRAINER, OIL	1	1	1	1	
10	3XV-13421-00	STRAINER 2	1	1	1	1	
11	3XV-13161-00	PIPE, DELIVERY 1	1	1	1	1	
12	90157-05106	SCREW, PAN HEAD	2	2	2	2	
13	93210-07540	O-RING	2	2	2	2	
14	90405-06044	UNION	2	2	2	2	
15	90445-10679	HOSE	1	1	1	1	
16	90467-09037	CLIP	2	2	2	2	
17	90401-06115	BOLT, UNION	2	2	2	2	
18	90430-06166	GASKET	4	4	4	4	

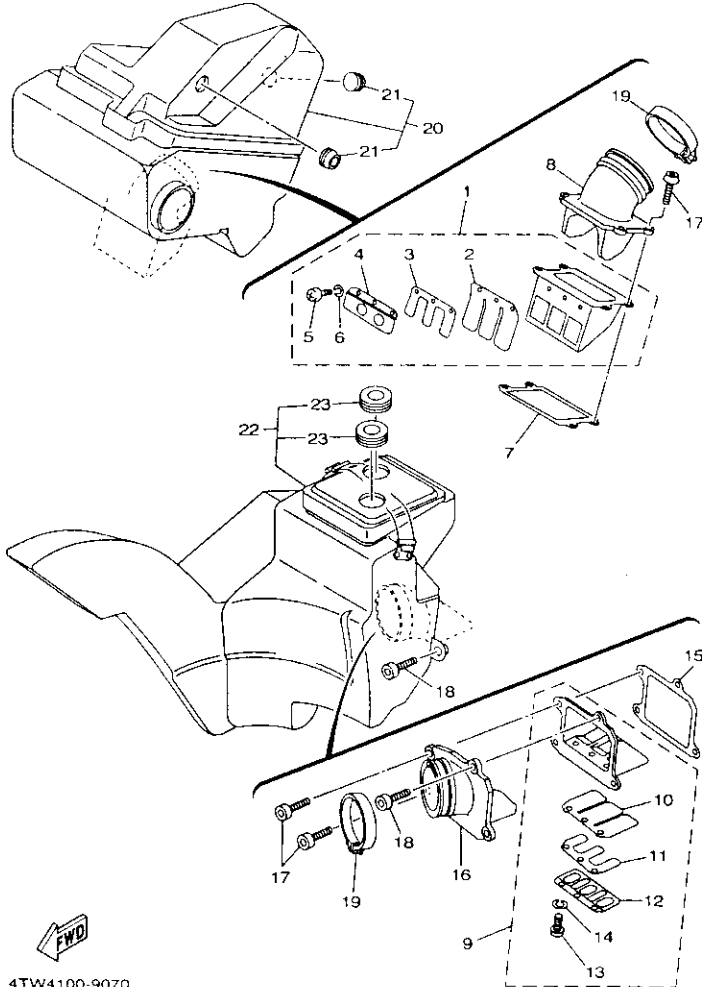
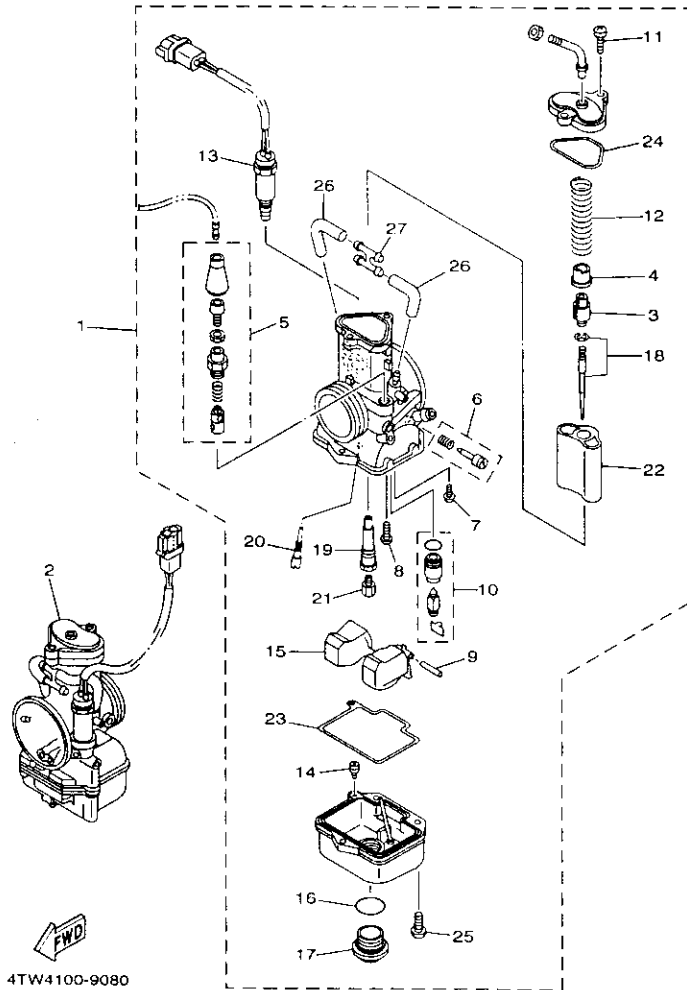


FIG. 7 INTAKE

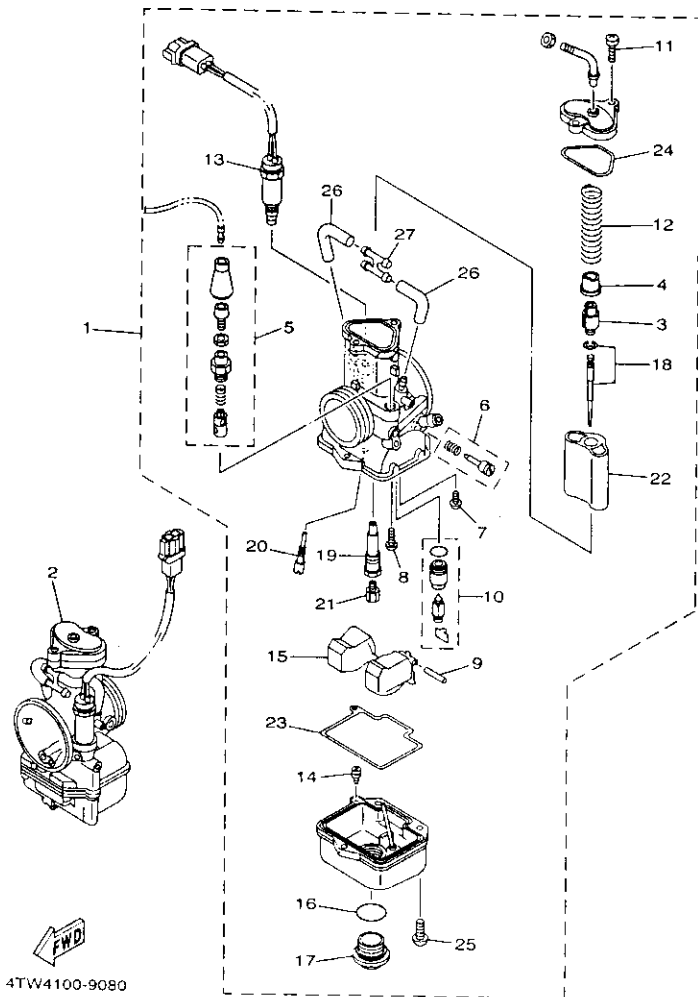
REF. NO.	PART NO.	DESCRIPTION	USA	EUR	OCE	JPN	REMARKS
			1	1	1	1	
1	3YL-13610-00	REED VALVE ASSY	1	1	1	1	
2	3XV-13613-01	REED, VALVE	2	2	2	2	
3	2KM-13614-00	REED, VALVE 2	2	2	2	2	
4	3YL-13616-00	STOPPER, REED VALVE	2	2	2	2	
5	98507-03006	SCREW, PAN HEAD	6	6	6	6	
6	92907-03100	WASHER	6	6	6	6	
7	3XV-13621-01	GASKET, VALVE SEAT	1	1	1	1	
8	4TW-13555-00	MANIFOLD, INTAKE	1	1	1	1	
9	3YL-13620-00	REED VALVE ASSY	1	1	1	1	
10	3XV-13613-01	REED, VALVE	2	2	2	2	
11	2KM-13614-00	REED, VALVE 2	2	2	2	2	
12	3YL-13617-00	STOPPER, REED VALVE 2	2	2	2	2	
13	98507-03006	SCREW, PAN HEAD	6	6	6	6	
14	92907-03100	WASHER	6	6	6	6	
15	3XV-13622-00	GASKET, VALVE SEAT	1	1	1	1	
16	4TW-13565-00	JOINT, CARBURETOR	1	1	1	1	
17	91317-06025	BOLT	6	6	6	6	
18	91314-06020	BOLT	2	2	2	2	
19	90460-52210	CLAMP, HOSE	2	2	2	2	
20	4TW-2160A-11	BOX COMP.	1	1	1	1	
21	90480-14153	GROMMET	2	2	2	2	
22	4TW-21240-10	BOX COMP.	1	1	1	1	
23	90480-25482	GROMMET	2	2	2	2	

FIG. 8 CARBURETOR



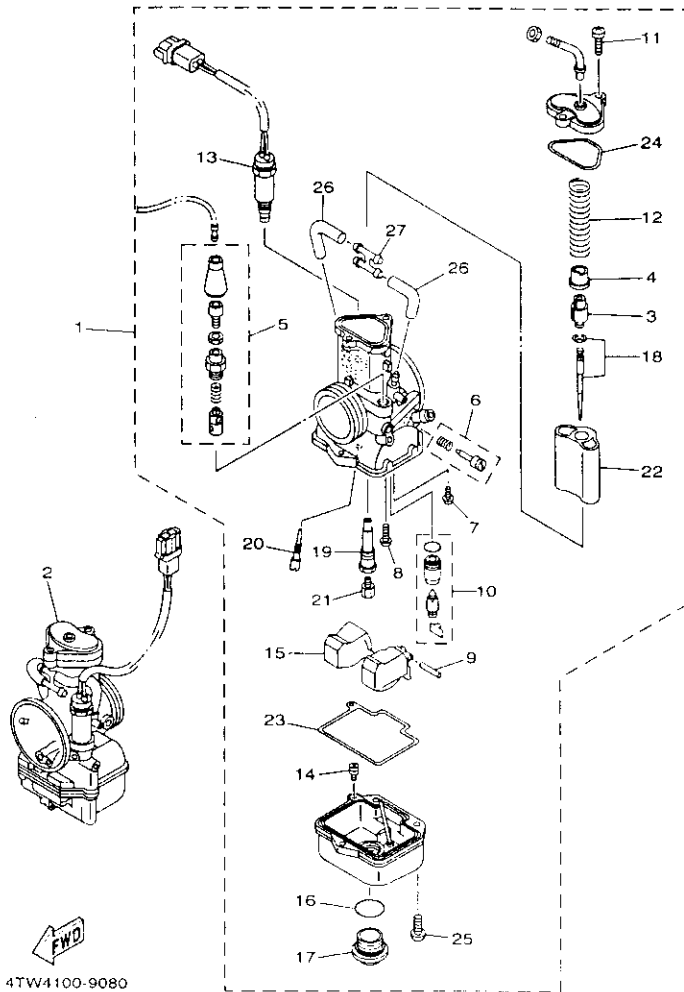
REF. NO.	PART NO.	DESCRIPTION	USA	EUR	LOC	JPN	REMARKS
			1	1	1	1	
1	4TW-14101-10	CARBURETOR ASSY 1	1	1	1	1	
2	4TW-14102-10	CARBURETOR ASSY 2	1	1	1	1	
3	4PE-14261-01	.HOLDER	1	1	1	1	
4	4PE-14194-00	.RING	1	1	1	1	
5	4TW-1410A-00	.STARTER SET	1	1	1	1	
6	3JD-14104-00	.AIR SCREW SET	1	1	1	1	
7	1FN-14565-00	.SCREW	1	1	1	1	
8	98507-04008	.SCREW, PAN HEAD	1	1	1	1	
9	353-14186-00	.PIN, FLOAT	1	1	1	1	
10	4TW-14107-15	.NEEDLE VALVE SET	1	1	1	1	
11	98507-04014	.SCREW, PAN HEAD	2	2	2	2	
12	4TW-14131-00	.SPRING, THROTTLE VALVE	1	1	1	1	
13	3XV-1410H-00	.FUEL CUT SOLENOID VALVE	1	1	1	1	
14	18M-14144-16	.JET, STARTER(#80)	1	1	1	1	STD
	18M-14144-15	.JET, STARTER	1	1	1	1	AP
15	5ET-14185-00	.FLOAT	1	1	1	1	
16	2K6-14147-00	.O-RING	1	1	1	1	
17	5ET-14115-00	.PLUG, SCREW	1	1	1	1	
18	4TW-1490J-00	.NEEDLE SET	1	1	1	1	
19	3TC-14141-S3	.NOZZLE, MAIN	1	1	1	1	STD
	3TC-14141-R8	.NOZZLE, MAIN (R-8)	1	1	1	1	AP
	3TC-14141-R6	.NOZZLE, MAIN (R-6)	1	1	1	1	AP
	3TC-14141-S0	.NOZZLE, MAIN (S-0)	1	1	1	1	AP
	3TC-14141-S1	.NOZZLE, MAIN	1	1	1	1	AP
	3TC-14141-S2	.NOZZLE, MAIN	1	1	1	1	AP
20	4KM-14142-30	.JET, PILOT (# 30)	1	1	1	1	STD
	4KM-14142-27	.JET, PILOT (# 27.5)	1	1	1	1	AP

FIG. 8 CARBURETOR



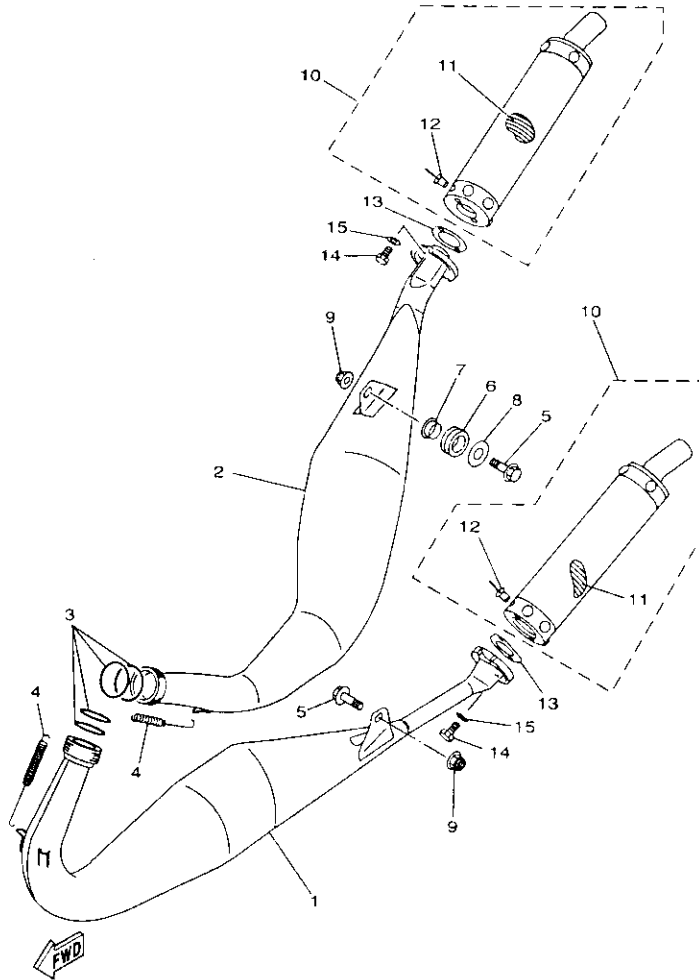
REF. NO.	PART NO.	DESCRIPTION	USA	EUR	OCE	JPN	REMARKS
21	137-1414K-28	JET, MAIN (#640)	1	1	1	1	STD
	137-14143-68	JET, MAIN (#340)	1	1	1	1	AP
	137-14143-70	JET, MAIN (#350)	1	1	1	1	AP
	137-14143-72	JET, MAIN (#360)	1	1	1	1	AP
	137-14143-74	JET, MAIN (#370)	1	1	1	1	AP
	137-14143-76	JET, MAIN (#380)	1	1	1	1	AP
	137-14143-78	JET, MAIN (#390)	1	1	1	1	AP
	137-14143-80	JET, MAIN (#400)	1	1	1	1	AP
	137-14143-82	JET, MAIN (#410)	1	1	1	1	AP
	137-14143-84	JET, MAIN (#420)	1	1	1	1	AP
	137-14143-86	JET, MAIN (#430)	1	1	1	1	AP
	137-14143-88	JET, MAIN (#440)	1	1	1	1	AP
	137-14143-90	JET, MAIN (#450)	1	1	1	1	AP
	137-14143-92	JET, MAIN (#460)	1	1	1	1	AP
	137-14143-94	JET, MAIN (#470)	1	1	1	1	AP
	137-14143-96	JET, MAIN (#480)	1	1	1	1	AP
	137-14143-98	JET, MAIN (#490)	1	1	1	1	AP
	137-1414K-00	JET, MAIN (#500)	1	1	1	1	AP
	137-1414K-08	JET, MAIN (#540)	1	1	1	1	AP
	137-1414K-12	JET, MAIN (#560)	1	1	1	1	AP
	137-1414K-16	JET, MAIN (#580)	1	1	1	1	AP
	137-1414K-20	JET, MAIN (#600)	1	1	1	1	AP
	137-1414K-24	JET, MAIN (#620)	1	1	1	1	AP
22	4TW-14112-50	VALVE, THROTTLE 1	1	1	1	1	
23	4TW-1416A-00	O-RING	1	1	1	1	
24	5ET-14147-00	O-RING	1	1	1	1	
25	98507-05014	SCREW, PAN HEAD	3	3	3	3	

FIG. 8 CARBURETOR



REF. NO.	PART NO.	DESCRIPTION	USA	EUR	OCE	JPN	REMARKS
26	4TW-14197-00	PIPE	2	2	2	2	
27	8J0-14251-00	NIPPLE	1	1	1	1	

FIG. 9 EXHAUST

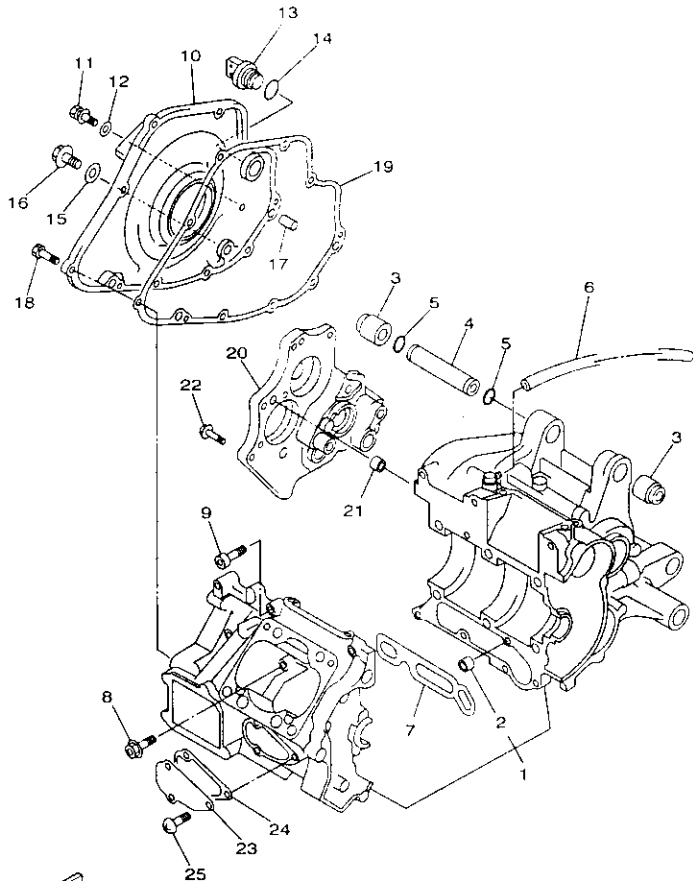


4TW4100-9090

REF. NO.	PART NO.	DESCRIPTION	USA	EUR	OC	JP	REMARKS
1	4TW-14610-50	EXHAUST PIPE ASSY 1	1				
	4TW-14610-40	EXHAUST PIPE ASSY 1		1	1	1	
2	4TW-14620-50	EXHAUST PIPE ASSY 2	1				
	4TW-14620-40	EXHAUST PIPE ASSY 2		1	1	1	
3	93210-42728	O-RING	4	4	4	4	
4	90507-20035	SPRING, TENSION	4	4	4	4	
5	95027-08030	BOLT, FLANGE	2	2	2	2	
6	90480-20389	GROMMET	1	1	1	1	
7	90387-084Y3	COLLAR	1	1	1	1	
8	90202-08022	WASHER, PLATE	1	1	1	1	
9	90185-08097	NUT, SELF-LOCKING	2	2	2	2	
10	4JT-14753-20	SILENCER, EXHAUST	2	2	2	2	
11	4JT-1469A-00	FIBER	1	1	1	1	
12	90267-48147	RIVET, BLIND	10	10	10	10	
13	4DP-14755-00	GASKET, SILENCER	2	2	2	2	
14	97027-06020	BOLT	4	4	4	4	
15	92907-06600	WASHER, PLATE	4	4	4	4	

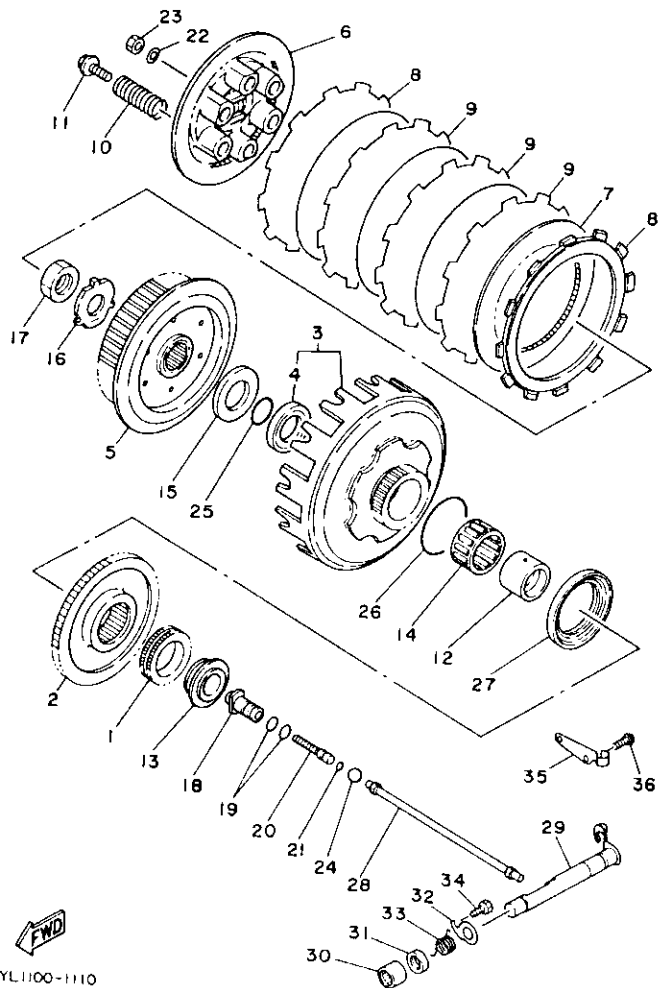
FIG. 10 CRANKCASE

REF. NO.	PART NO.	DESCRIPTION	USA	EUR	OC	JPN	REMARKS
1	3YL-15100-02	CRANKCASE ASSY	1	1	1	1	
2	99530-10014	PIN, DOWEL	2	2	2	2	
3	3YL-15326-00	DAMPER, ENGINE MOUNT 2	4	4	4	4	
4	3YL-15327-01	SPACER, ENGINE MOUNT	2	2	2	2	
5	93210-15680	O-RING	4	4	4	4	
6	90445-093H5	HOSE	1	1	1	1	
7	3XV-15113-00	PLATE	1	1	1	1	
8	90109-084F1	BOLT	6	6	6	6	
9	91317-06030	BOLT	9	9	9	9	
10	3YL-15421-00	COVER, CRANKCASE 2	1	1	1	1	
11	90338-06041	PLUG	1	1	1	1	
12	90430-06166	GASKET	1	1	1	1	
13	4A0-15363-00	PLUG, OIL	1	1	1	1	
14	93210-21190	O-RING	1	1	1	1	
15	90430-12202	GASKET	1	1	1	1	
16	90340-12144	PLUG, STRAIGHT SCREW	1	1	1	1	
17	99530-08012	PIN, DOWEL	2	2	2	2	
18	91317-06020	BOLT	10	10	10	10	
19	3YL-15461-01	GASKET, CRANKCASE COVER 2	1	1	1	1	
20	4DP-15131-01	CRANKCASE 3	1	1	1	1	
21	99530-10014	PIN, DOWEL	2	2	2	2	
22	90109-065F8	BOLT	7	7	7	7	
23	3XV-15431-00	COVER, CRANKCASE 3	1	1	1	1	
24	3XV-15462-00	GASKET, CRANKCASE COVER 3	1	1	1	1	
25	92017-06014	BOLT, BUTTON HEAD	3	3	3	3	



4TW1100-6100

FIG. 11 CLUTCH



3YL1100-1110

REF. NO.	PART NO.	DESCRIPTION	USA	EUR	OCE	JPN	REMARKS
1	4DP-13324-00	GEAR, PUMP DRIVE	1	1	1	1	
2	4DP-16151-01	GEAR, PRIMARY DRIVEN	1	1	1	1	
3	5F7-16310-02	CLUTCH HOUSING ASSY	1	1	1	1	
4	93102-30243	OIL SEAL	1	1	1	1	
5	26J-16371-01	BOSS, CLUTCH	1	1	1	1	
6	26J-16351-00	PLATE, PRESSURE 1	1	1	1	1	
7	168-16324-00	PLATE, CLUTCH 1	4	4	4	4	
8	3YL-16321-01	PLATE, FRICTION	2	2	2	2	
9	3AK-16321-00	PLATE, FRICTION	3	3	3	3	
10	90501-23138	SPRING, COMPRESSION	6	6	6	6	
11	90159-06016	SCREW, WITH WASHER	6	6	6	6	
12	5F7-16181-00	SPACER 1	1	1	1	1	
13	3YL-16154-00	PLATE, THRUST 1	1	1	1	1	
14	93310-332J5	BEARING	1	1	1	1	
15	5F7-16153-00	WASHER, THRUST	1	1	1	1	
16	90215-20212	WASHER, LOCK	1	1	1	1	
17	90170-20255	NUT	1	1	1	1	
18	59W-16356-00	ROD, PUSH 1	1	1	1	1	
19	93210-09165	O-RING	2	2	2	2	
20	5F7-16343-00	SCREW, ADJUSTING	1	1	1	1	
21	93210-04279	O-RING	1	1	1	1	
22	92907-06200	WASHER	1	1	1	1	
23	95307-06600	NUT	1	1	1	1	
24	93515-32029	BALL	1	1	1	1	
25	93210-22164	O-RING	1	1	1	1	
26	93210-42482	O-RING	1	1	1	1	
27	93101-56095	OIL SEAL	1	1	1	1	

FIG. 11 CLUTCH

REF. NO.	PART NO.	DESCRIPTION	USA	EUR	OCF	JPN	REMARKS
28	4DP-16357-00	ROD, PUSH 2	1	1	1	1	
29	3XV-16381-00	PUSH LEVER COMP.	1	1	1	1	
30	93315-11206	BEARING	1	1	1	1	
31	93102-12224	OIL SEAL	1	1	1	1	
32	3XV-16384-00	PLATE, SEAT	1	1	1	1	
33	90508-121A2	SPRING, TORSION	1	1	1	1	
34	91317-05010	BOLT	1	1	1	1	
35	3YL-15441-00	HOLDER, CLUTCH CABLE	1	1	1	1	
36	95027-06012	BOLT, FLANGE	2	2	2	2	

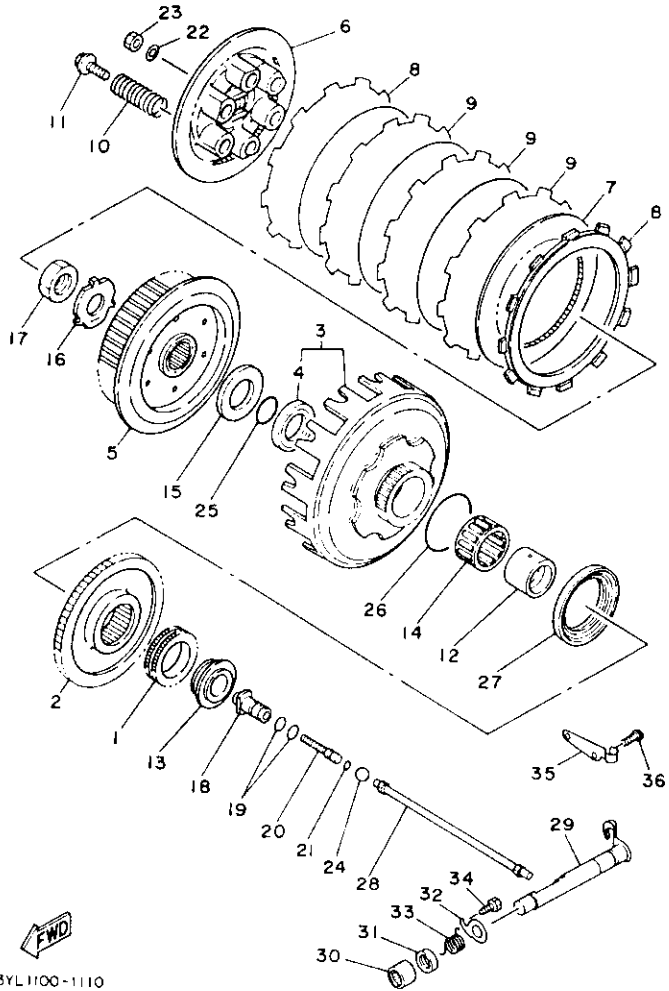
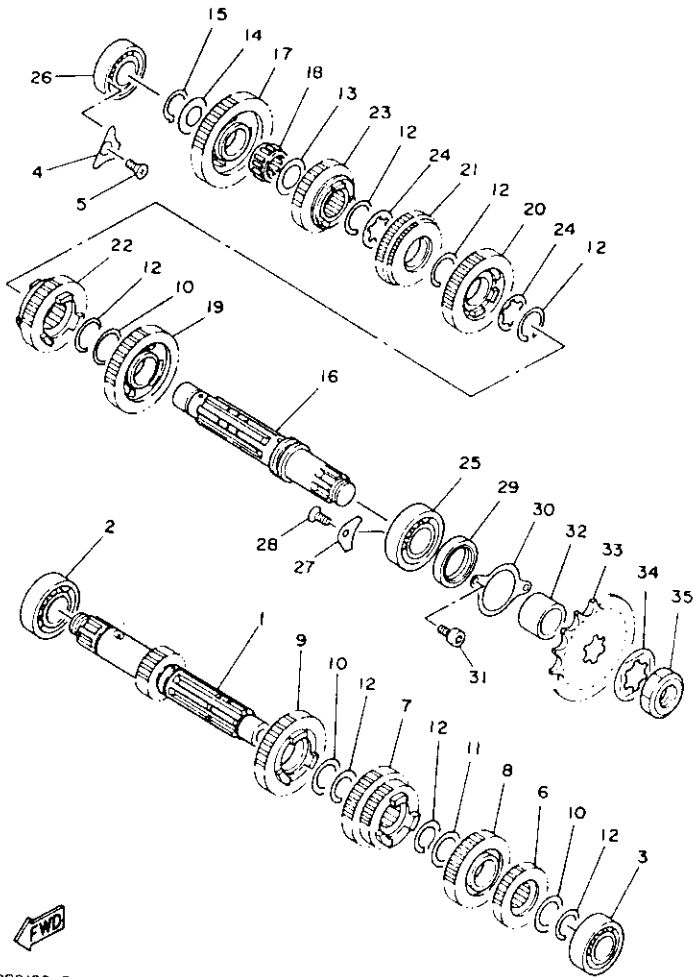


FIG. 12 TRANSMISSION



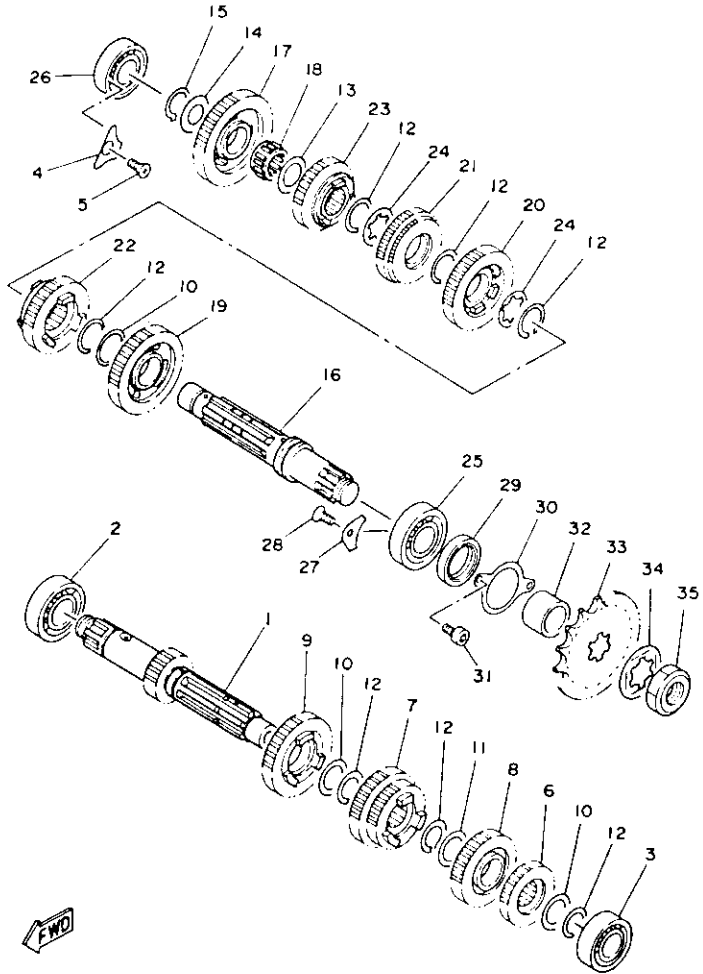
40P2100-3/120

REF. NO.	PART NO.	DESCRIPTION	USA	EUR	OCE	JPN	REMARKS
1	3YL-17411-20	AXLE, MAIN (18T)	1	1	1	1	STD
	3YL-17411-10	AXLE, MAIN (14T)	1	1	1	1	UR
2	93306-20526	BEARING (B6205)	1	1	1	1	
3	93306-00442	BEARING	1	1	1	1	
4	3XV-15381-00	PLATE, BEARING COVER	1	1	1	1	
5	90151-06041	SCREW, COUNTERSUNK	1	1	1	1	
6	4DP-17121-11	GEAR, 2ND PINION (21T)	1	1	1	1	STD
	5F7-17121-21	GEAR, 2ND PINION (19T)	1	1	1	1	UR
7	5F7-17131-00	GEAR, 3RD/4TH PINION (23T/25T)	1	1	1	1	
8	5F7-17151-01	GEAR, 5TH PINION (27T)	1	1	1	1	
9	5F7-17161-02	GEAR, 6TH PINION (22T)	1	1	1	1	STD
	5F7-17161-11	GEAR, 6TH PINION (25T)	1	1	1	1	UR
10	90201-253K0	WASHER, PLATE (T=1.0)	3	3	3	3	UN
	90201-256E6	WASHER, PLATE (T=0.9)	3	3	3	3	UN
11	90201-256E4	WASHER, PLATE (T=1.5)	1	1	1	1	
12	93440-25084	CIRCLIP	7	7	7	7	
13	90201-20276	WASHER, PLATE (1.0T)	1	1	1	1	
14	90201-20276	WASHER, PLATE (1.0T)	1	1	1	1	UN
	90201-206E5	WASHER, PLATE (0.9T)	1	1	1	1	UN
15	99009-20400	CIRCLIP	1	1	1	1	
16	3YL-17421-01	AXLE, DRIVE	1	1	1	1	
17	5F7-17211-20	GEAR, 1ST WHEEL (34T)	1	1	1	1	STD
	5F7-17211-10	GEAR, 1ST WHEEL (28T)	1	1	1	1	UR
18	93310-22057	BEARING (K20-24X10 S)	1	1	1	1	
19	4DP-17221-11	GEAR, 2ND WHEEL (31T)	1	1	1	1	STD
	5F7-17221-21	GEAR, 2ND WHEEL (27T)	1	1	1	1	UR
20	5F7-17231-00	GEAR, 3RD WHEEL (29T)	1	1	1	1	

C3

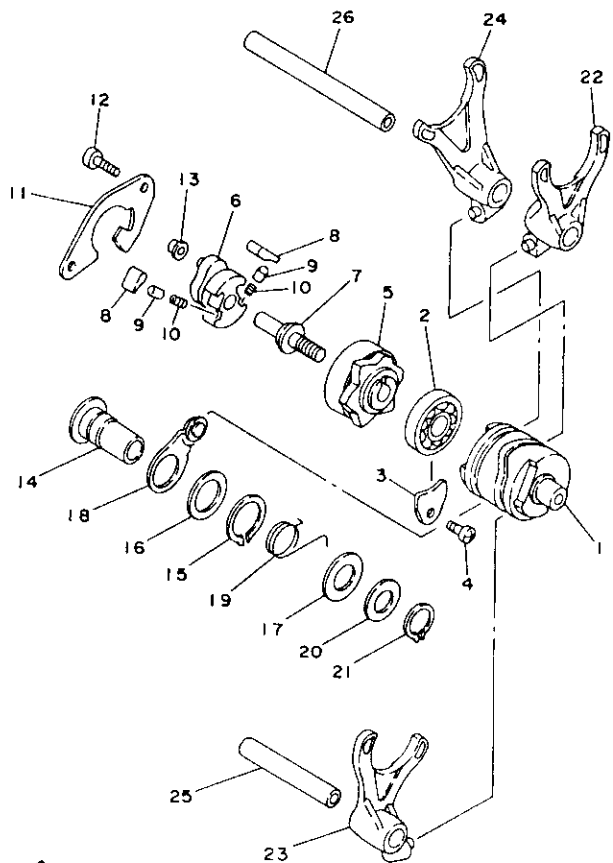
FIG. 12 TRANSMISSION

REF. NO.	PART NO.	DESCRIPTION	USA	EUR	OCCE	JPN	REMARKS
21	3YL-17241-00	GEAR, 4TH WHEEL (27T)	1	1	1	1	
22	3YL-17251-00	GEAR, 5TH. WHEEL (26T)	1	1	1	1	
23	3YL-17261-01	GEAR, 6TH WHEEL (20T)	1	1	1	1	STD
	3YL-17261-11	GEAR, 6TH WHEEL (22T)	1	1	1	1	UR
24	5F7-17136-00	WASHER (0.7T)	2	2	2	2	UN
	90209-22082	WASHER (0.5T)	2	2	2	2	UN
25	93306-20574	BEARING	1	1	1	1	
26	93306-20470	BEARING	1	1	1	1	
27	2K7-15383-00	PLATE, BEARING COVER	1	1	1	1	
28	90151-06041	SCREW, COUNTERSUNK	1	1	1	1	
29	93102-32337	OIL SEAL	1	1	1	1	
30	3AK-17471-00	PLATE, COVER	1	1	1	1	
31	91317-05012	BOLT	2	2	2	2	
32	90387-250Y0	COLLAR	1	1	1	1	
33	93834-14178	SPROCKET, DRIVE (14T)	1	1	1	1	STD
	93834-15079	SPROCKET,DRIVE 15T(5F71746150)	1	1	1	1	UR
	93834-16104	SPROCKET,DRIVE 16T(5F71746160)	1	1	1	1	UR
34	90215-21121	WASHER, LOCK	1	1	1	1	
35	90179-20255	NUT	1	1	1	1	



40P2100-3120

FIG. 13 SHIFT CAM. FORK



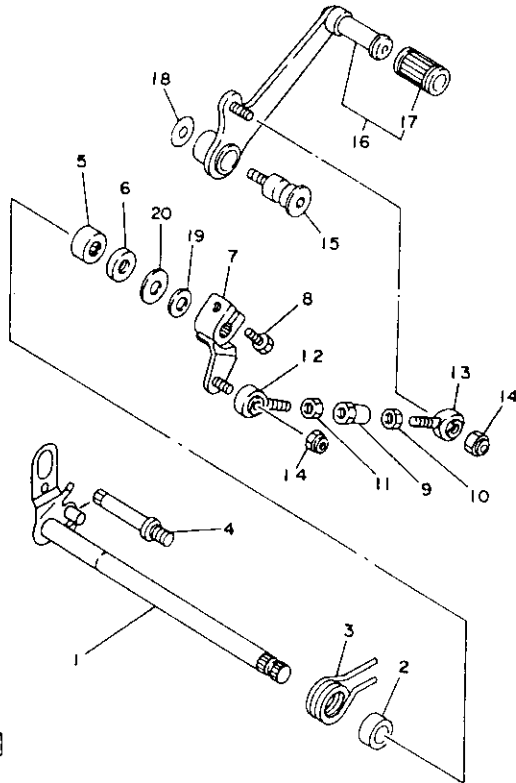
REF. NO.	PART NO.	DESCRIPTION	USA	EUR	OC	JPN	REMARKS
1	4DP-18540-00	SHIFT CAM ASSY	1	1	1	1	
2	93306-90302	BEARING	1	1	1	1	
3	3XV-18562-00	PLATE, STOPPER 2	1	1	1	1	
4	90157-05106	SCREW, PAN HEAD	1	1	1	1	
5	3YL-18185-00	SEGMENT	1	1	1	1	
6	3XV-18122-00	LEVER, SHIFT 2	1	1	1	1	
7	3XV-18173-00	PIN, SHIFT	1	1	1	1	
8	3YL-18182-00	PAWL, SHIFTER	2	2	2	2	
9	3YL-18184-00	PIN, PAWL	2	2	2	2	
10	90501-052G5	SPRING, COMPRESSION	2	2	2	2	
11	3XV-18172-00	GUIDE, SHIFT	1	1	1	1	
12	91318-06014	BOLT	2	2	2	2	
13	3XJ-18178-00	ROLLER, SHIFT LEVER	1	1	1	1	
14	90387-127V3	COLLAR	1	1	1	1	
15	99009-17400	CIRCLIP	1	1	1	1	
16	90201-177G4	WASHER, PLATE	1	1	1	1	
17	90201-154E8	WASHER, PLATE (1.0T)	1	1	1	1	
18	3XV-18140-00	STOPPER LEVER ASSY	1	1	1	1	
19	90508-231A5	SPRING, TORSION	1	1	1	1	
20	90201-127E1	WASHER, PLATE	1	1	1	1	
21	99009-12400	CIRCLIP	1	1	1	1	
22	4DP-18511-00	FORK, SHIFT 1	1	1	1	1	
23	4DP-18512-00	FORK, SHIFT 2	1	1	1	1	
24	4DP-18513-00	FORK, SHIFT 3	1	1	1	1	
25	4DP-18531-01	BAR, SHIFT FORK GUIDE 1	1	1	1	1	
26	3XV-18535-00	BAR, SHIFT FORK GUIDE 2	1	1	1	1	



3YLI100-1130

FIG. 14 SHIFT SHAFT

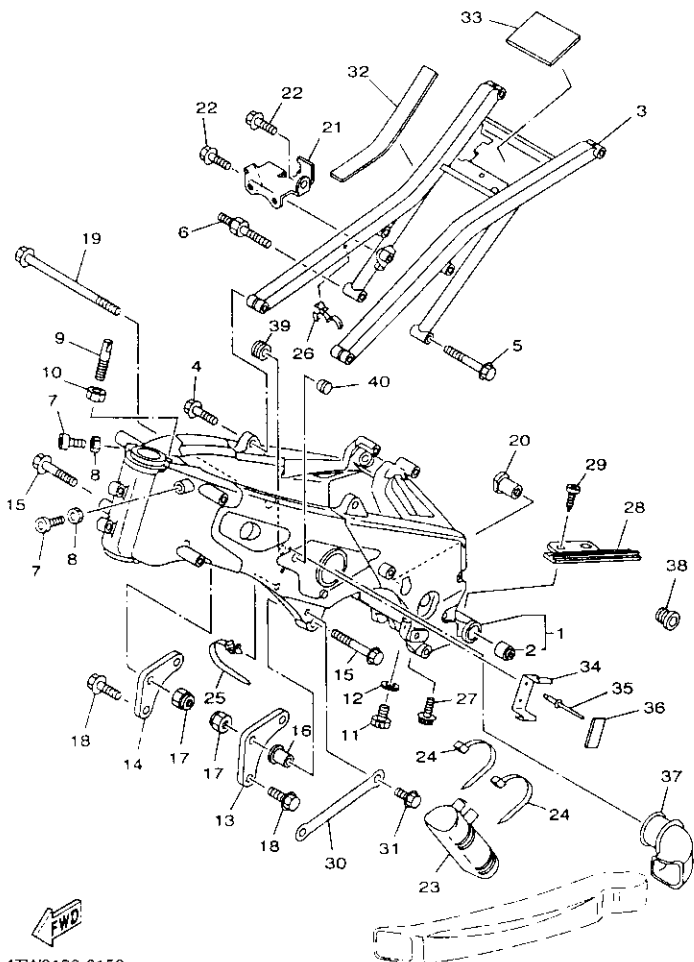
REF. NO.	PART NO.	DESCRIPTION	USA	EUR	OC	JPN	REMARKS
1	4DP-18101-00	SHIFT SHAFT ASSY	1	1	1	1	
2	90560-12361	SPACER	1	1	1	1	
3	90508-29742	SPRING, TORSION	1	1	1	1	
4	3MA-18127-00	STOPPER, SCREW	1	1	1	1	
5	90380-12214	BUSH, SOLID	1	1	1	1	
6	93102-12106	OIL SEAL (SD 12-22-5 HS)	1	1	1	1	
7	4DP-18112-00	ARM, SHIFT	1	1	1	1	
8	97017-06020	BOLT	1	1	1	1	
9	5F7-18115-00	ROD, SHIFT	1	1	1	1	
10	90170-06228	NUT(COUNTER CLOCKWISE)	1	1	1	1	
11	95304-06700	NUT	1	1	1	1	
12	5F7-18116-00	JOINT, ROD 1	1	1	1	1	
13	5F7-18117-00	JOINT, ROD 2	1	1	1	1	
14	95607-06100	NUT, U	2	2	2	2	
15	90109-087F6	BOLT	1	1	1	1	
16	4DP-18110-00	SHIFT PEDAL ASSY	1	1	1	1	
17	3FV-18113-00	COVER, SHIFT PEDAL	1	1	1	1	
18	90201-087F0	WASHER, PLATE	1	1	1	1	
19	90560-12075	SPACER	1	1	1	1	
20	90201-12588	WASHER, PLATE	1	1	1	1	



40P2100-3140

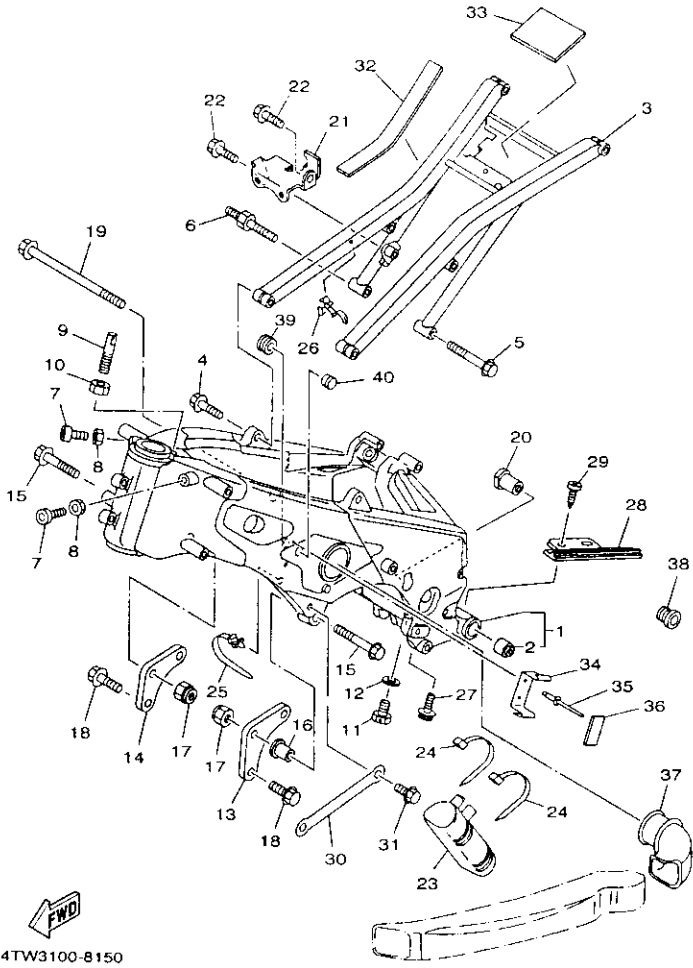
FIG. 15 FRAME

REF. NO.	PART NO.	DESCRIPTION	USA	EUR	OCE	JPN	REMARKS
1	4TW-21110-10	FRAME COMP.	1	1	1	1	
2	36Y-27414-00	DAMPER, FOOTREST	1	1	1	1	
3	4TW-21190-01	REAR FRAME COMP.	1	1	1	1	
4	95027-06025	BOLT, FLANGE	2	2	2	2	
5	95027-06045	BOLT, FLANGE	1	1	1	1	
6	4TW-2171V-00	BOLT	1	1	1	1	
7	91317-06020	BOLT	2	2	2	2	
8	95307-06600	NUT	2	2	2	2	
9	4TW-2134T-00	BOLT, TANK FITTING	1	1	1	1	
10	95307-08700	NUT	1	1	1	1	
11	90338-06041	PLUG	2	2	2	2	
12	90430-06166	GASKET	2	2	2	2	
13	4DP-21411-00	BRACKET, ENGINE 1	1	1	1	1	
14	4DP-21419-00	BRACKET, ENGINE 2	1	1	1	1	
15	90105-10778	BOLT, WASHER BASED	2	2	2	2	
16	90387-105U6	COLLAR	1	1	1	1	
17	95607-10200	NUT, SELF-LOCKING	2	2	2	2	
18	95027-08020	BOLT, FLANGE	4	4	4	4	
19	90105-10227	BOLT, WASHER BASED	2	2	2	2	
20	90179-10682	NUT	2	2	2	2	
21	4TW-2134V-00	BRACKET	1	1	1	1	
22	95027-06012	BOLT, FLANGE	2	2	2	2	
23	3YL-21751-00	TANK, OIL	1	1	1	1	
24	90465-13275	CLAMP	2	2	2	2	
25	90464-12089	CLAMP	2	2	2	2	
26	90464-18246	CLAMP	4	4	4	4	
27	90109-067E6	BOLT	3	3	3	3	



4TW3100-8150

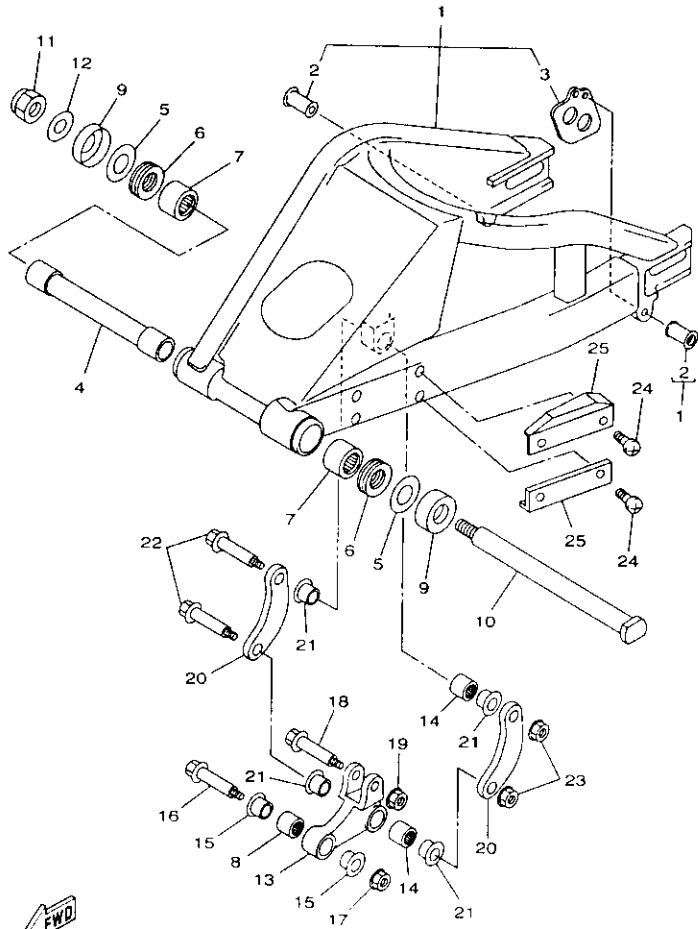
FIG. 15 FRAME



REF. NO.	PART NO.	DESCRIPTION	USA	EUR	OCÉ	JPN	REMARKS
28	4TW-22151-00	SEAL, GUARD	1	1	1	1	
29	97707-50012	SCREW, TAPPING	2	2	2	2	
30	4TW-2117A-00	STAY	1	1	1	1	
31	95027-06012	BOLT, FLANGE	1	1	1	1	
32	1KT-82122-00	SEAT, BATTERY	2	2	2	2	
33	4TW-21747-00	DAMPER	1	1	1	1	
34	4TW-2139V-00	HOOK	1	1	1	1	
35	90267-32018	RIVET, BLIND	2	2	2	2	
36	50M-21638-00	DAMPER 1	1	1	1	1	
37	4DP-2135H-00	PIPE, INLET	1	1	1	1	
38	4DP-21495-00	BOLT, ENGINE ADJUSTING	1	1	1	1	
39	90480-18276	GROMMET	2	2	2	2	
40	90480-14153	GROMMET	2	2	2	2	

FWD
4TW3100-8150

FIG. 16 REAR ARM

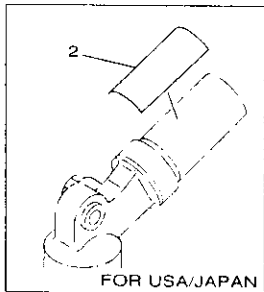
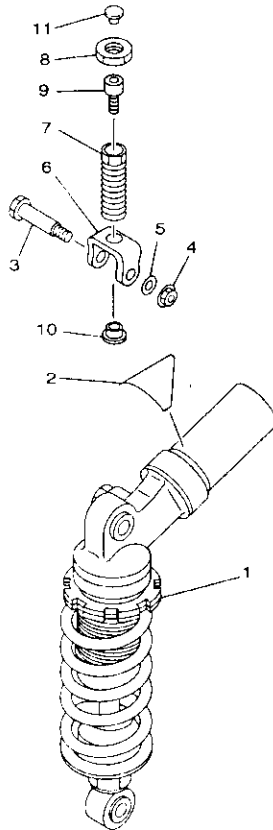


REF. NO.	PART NO.	DESCRIPTION	USA	EUR	OC	JPN	REMARKS
1	4TW-22110-01	REAR ARM COMP.	1	1	1	1	
2	4JT-2216F-10	HOOK	2	2	2	2	
3	4TW-22187-00	.GUIDE, CHAIN	1	1	1	1	
4	3XV-22184-00	BUSH	1	1	1	1	
5	1X2-22127-00	SHIM	2	2	2	2	UN
6	93342-22516	BEARING	2	2	2	2	
7	93315-42523	BEARING	2	2	2	2	
8	93320-21507	BEARING	1	1	1	1	
9	3FV-22128-00	COVER, THRUST 1	2	2	2	2	
10	3MA-22141-01	SHAFT, PIVOT	1	1	1	1	
11	90185-18104	NUT, SELF-LOCKING	1	1	1	1	
12	92907-18200	WASHER	1	1	1	1	
13	4TW-2217A-00	ARM, RELAY	1	1	1	1	
14	93320-21507	BEARING	1	1	1	1	
15	90387-124Y8	COLLAR	2	2	2	2	
16	90101-10709	BOLT	1	1	1	1	
17	95607-10200	NUT, SELF-LOCKING	1	1	1	1	
18	90101-10709	BOLT	1	1	1	1	
19	95607-10200	NUT, SELF-LOCKING	1	1	1	1	
20	4TW-2217F-00	ROD, CONNECTING 1	2	2	2	2	
21	90387-124Y8	COLLAR	4	4	4	4	
22	90101-10709	BOLT	2	2	2	2	
23	95607-10200	NUT, SELF-LOCKING	2	2	2	2	
24	98907-06020	SCREW, BIND	4	4	4	4	
25	4TW-22147-00	PROTECTOR, CHAIN	2	2	2	2	



4TW2100-7160

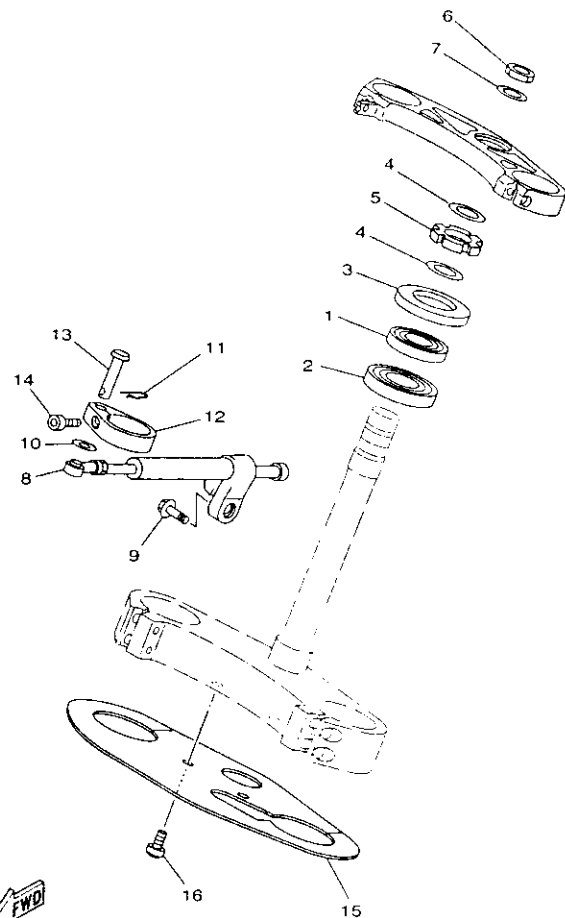
FIG. 17 REAR SUSPENSION



REF. NO.	PART NO.	DESCRIPTION	USA	EUR	OCE	JPN	REMARKS
1	4TW-22210-40	SHOCK ABSORBER ASSY, REAR	1	1	1	1	
2	4AA-22259-00	LABEL, WARNING	1				
	4AA-22259-40	LABEL, WARNING		1	1		
	4AA-22259-50	LABEL, WARNING				1	
3	90101-10709	BOLT	1	1	1	1	
4	95607-10200	NUT, SELF-LOCKING	1	1	1	1	
5	90201-127J6	WASHER, PLATE	1	1	1	1	
6	4JT-22219-00	BRACKET, UPPER	1	1	1	1	
7	4JT-22239-00	ADJUSTER	1	1	1	1	
8	1RK-22251-00	NUT 1	1	1	1	1	
9	91317-10016	BOLT	1	1	1	1	
10	3AK-22252-00	NUT	1	1	1	1	
11	90480-14153	GROMMET	1	1	1	1	


 4TW4100-9170

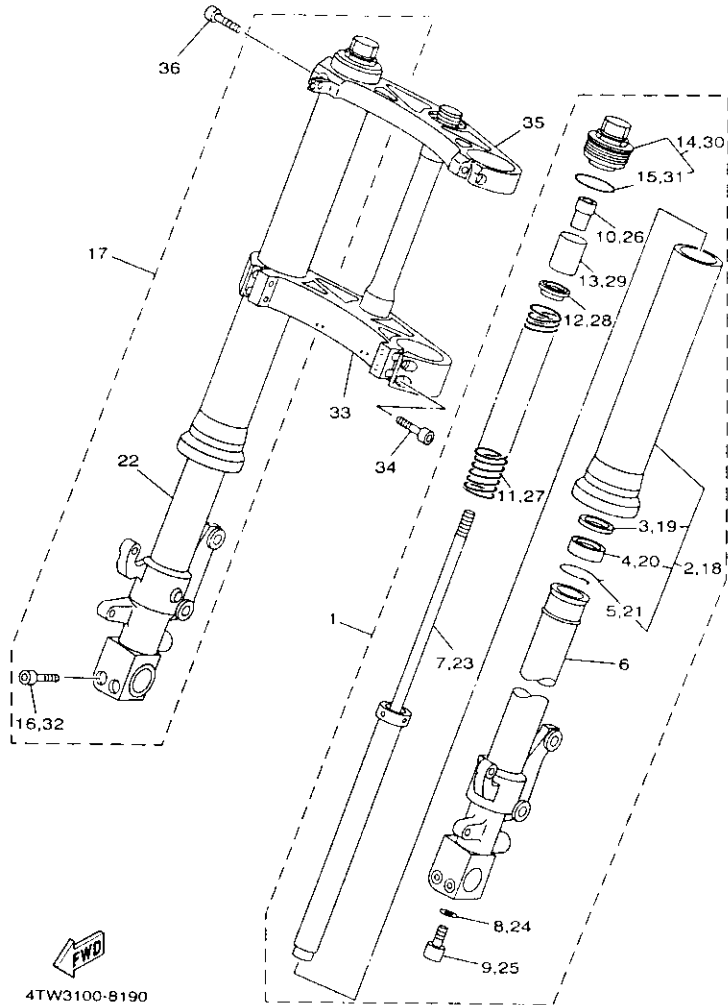
FIG. 18 STEERING



4TW3100-8180

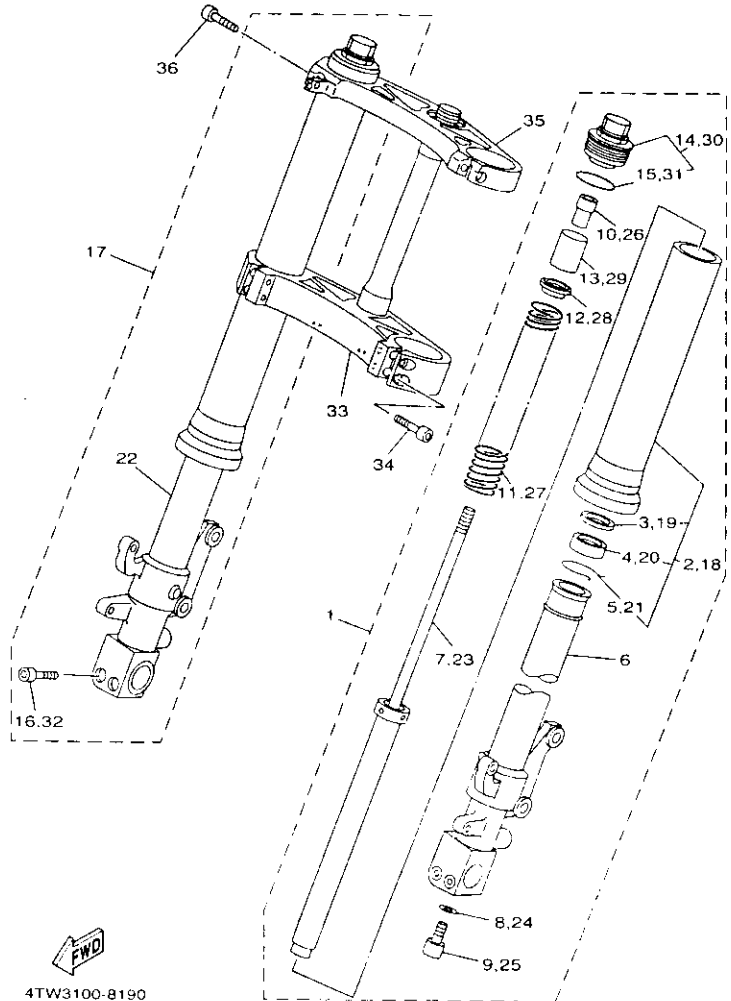
REF. NO.	PART NO.	DESCRIPTION	USA	EUR	OCE	JPN	REMARKS
1	93332-00001	BEARING	1	1	1	1	
2	93332-00081	BEARING	1	1	1	1	
3	1J7-23415-00	COVER, BALL RACE 1	1	1	1	1	
4	90201-25526	WASHER, PLATE (T2.0)	2	2	2	2	
5	90179-25033	NUT	1	1	1	1	
6	1RK-22251-00	NUT 1	1	1	1	1	
7	90201-225A4	WASHER, PLATE (T1.0)	1	1	1	1	
8	4TW-23490-00	HANDLEBAR SHIMMY DAMPER ASSY	1	1	1	1	
9	95817-08020	BOLT, FLANGE	1	1	1	1	
10	90201-08455	WASHER, PLATE	1	1	1	1	
11	90468-16099	CLIP	1	1	1	1	
12	3YL-23495-00	STAY, DAMPER	1	1	1	1	
13	91701-08035	PIN, CLEVIS	1	1	1	1	
14	91317-06025	BOLT	1	1	1	1	
15	4TW-21552-10	FENDER, INNER	1	1	1	1	
16	98907-06010	SCREW, BIND	2	2	2	2	

FIG. 19 FRONT FORK



REF. NO.	PART NO.	DESCRIPTION	USA	EUR	OCE	JPN	REMARKS
			1	1	1	1	
1	4TW-23102-21	FRONT FORK ASSY (L.H)	1	1	1	1	
2	4TW-23136-21	.TUBE, OUTER (RIGHT)	1	1	1	1	
3	36Y-23146-10	.WASHER, OIL SEAL	1	1	1	1	
4	4XV-23145-00	.OIL SEAL	1	1	1	1	
5	26H-23156-00	.CLIP, OIL SEAL	1	1	1	1	
6	4TW-23110-10	.INNER TUBE COMP.1	1	1	1	1	
7	4TW-23170-21	.CYLINDER COMP., FRONT FORK	1	1	1	1	
8	2K8-23158-L0	.GASKET	1	1	1	1	
9	3LC-23181-00	.BOLT, HEXAGON SOCKET HEAD	1	1	1	1	
10	4TW-23357-10	.NUT	1	1	1	1	
11	3YL-23141-00	.SPRING, FRONT FORK	1	1	1	1	
12	4TW-23142-10	.SEAT, SPRING UPPER	1	1	1	1	
13	4TW-23118-10	.SPACER	1	1	1	1	
14	4TW-23111-10	.BOLT, CAP	1	1	1	1	
15	3SP-23147-M0	.O-RING	1	1	1	1	
16	91311-06040	.BOLT	2	2	2	2	
17	4TW-23103-21	FRONT FORK ASSY (R.H)	1	1	1	1	
18	4TW-23136-21	.TUBE, OUTER (RIGHT)	1	1	1	1	
19	36Y-23146-10	.WASHER, OIL SEAL	1	1	1	1	
20	4XV-23145-00	.OIL SEAL	1	1	1	1	
21	26H-23156-00	.CLIP, OIL SEAL	1	1	1	1	
22	4TW-23120-10	.INNER TUBE COMP.2	1	1	1	1	
23	4TW-23170-21	.CYLINDER COMP., FRONT FORK	1	1	1	1	
24	2K8-23158-L0	.GASKET	1	1	1	1	
25	3LC-23181-00	.BOLT, HEXAGON SOCKET HEAD	1	1	1	1	
26	4TW-23357-10	.NUT	1	1	1	1	
27	3YL-23141-00	.SPRING, FRONT FORK	1	1	1	1	

FIG. 19 FRONT FORK



REF. NO.	PART NO.	DESCRIPTION	USA	EUR	OCE	JPN	REMARKS
28	4TW-23142-10	SEAT, SPRING UPPER	1	1	1	1	
29	4TW-23118-10	SPACER	1	1	1	1	
30	4TW-23111-10	BOLT, CAP	1	1	1	1	
31	3SP-23147-M0	O-RING	1	1	1	1	
32	91311-06040	BOLT	2	2	2	2	
33	4TW-23340-20	UNDER BRACKET COMP.	1	1	1	1	
34	91311-08035	BOLT	4	4	4	4	
35	4TW-23435-00	CROWN, HANDLE	1	1	1	1	
36	91317-08035	BOLT	2	2	2	2	

FWD
4TW3100-8190

FIG. 20 FUEL TANK

REF. NO.	PART NO.	DESCRIPTION	USA	EUR	OCE	JPN	REMARKS
1	4TW-24110-00-36	FUEL TANK COMP.	1	1	1	1	WW
2	99237-00180	EMBLEM, YAMAHA	2	2	2	2	
3	4JT-24311-01	PIPE, FUEL 1	1	1	1	1	
4	90445-111K1	HOSE	1	1	1	1	
5	90445-110H4	HOSE	2	2	2	2	
6	1X2-24376-00	JOINT, FUEL PIPE	1	1	1	1	
7	90467-09006	CLIP	3	3	3	3	
8	90467-10008	CLIP	8	8	8	8	
9	3CV-24491-10	BRACKET, FUEL PUMP	1	1	1	1	
10	98907-05008	SCREW, BIND	1	1	1	1	
11	90119-06096	BOLT, WITH WASHER	2	2	2	2	
12	90387-06737	COLLAR	2	2	2	2	
13	90480-13183	GROMMET	2	2	2	2	
14	4JT-24500-00	FUEL COCK ASSY 1	1	1	1	1	
15	3AJ-24534-00	.SEAL, COCK	1	1	1	1	
16	97801-03008	.SCREW, PAN HEAD	2	2	2	2	
17	4X8-24512-00	.O-RING	1	1	1	1	
18	3AJ-24523-00	.VALVE PACKING	1	1	1	1	
19	90149-06011	SCREW	2	2	2	2	
20	90202-05193	WASHER, PLATE	2	2	2	2	
21	2A6-24611-00	BODY, CAP	1	1	1	1	
22	1W1-24612-00	GASKET, CAP	1	1	1	1	
23	3XJ-24380-00	PIPE JOINT ASSY	1	1	1	1	
24	91A20-05020	TUBE, FLEXIBLE VINYL	1	1	1	1	
25	91A20-05095	TUBE, FLEXIBLE VINYL	1	1	1	1	
26	90465-13152	CLAMP	1	1	1	1	
27	4DP-24181-00	DAMPER, LOCATING 1	2	2	2	2	

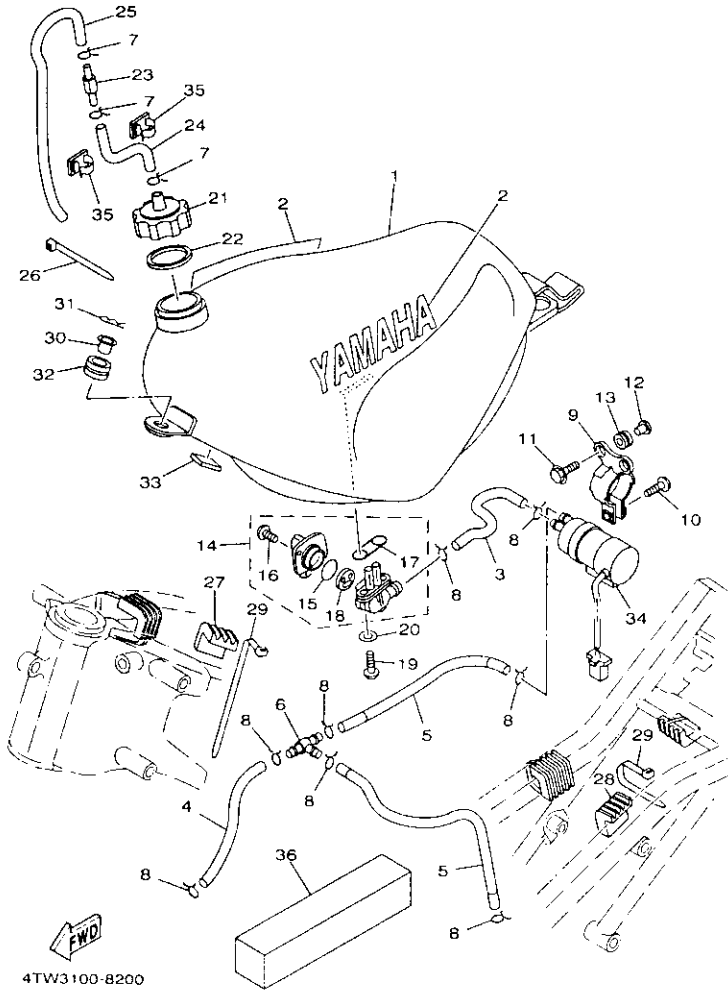
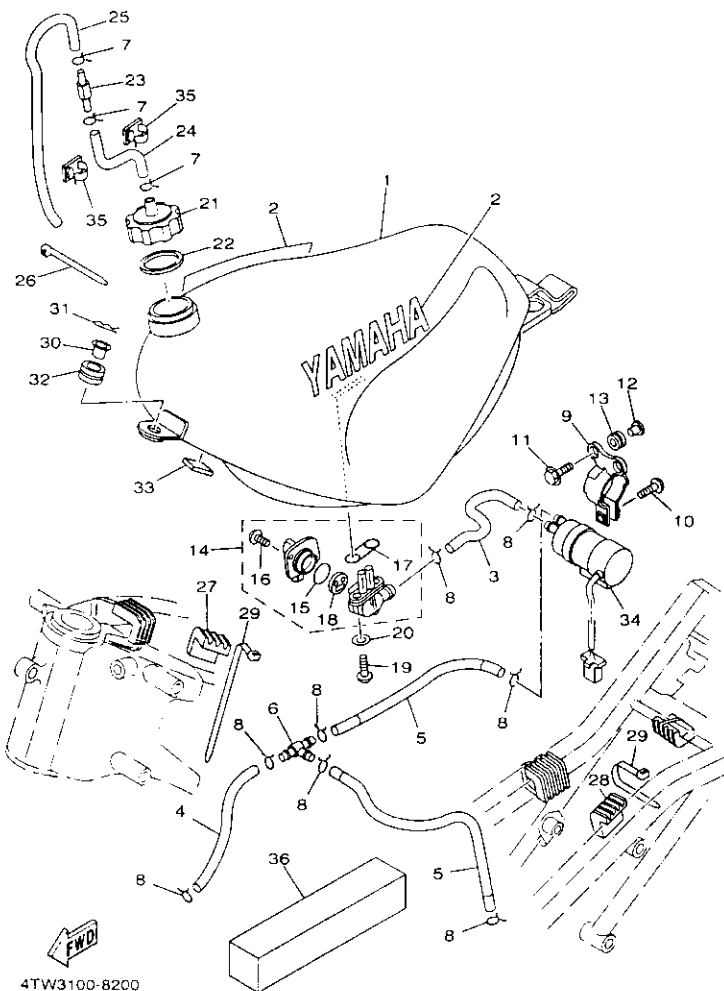


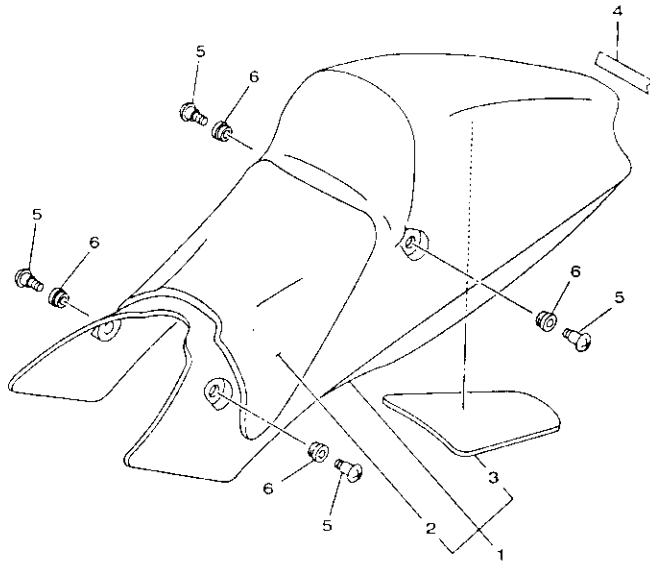
FIG. 20 FUEL TANK



4TW3100-8200

REF. NO.	PART NO.	DESCRIPTION	USA	EUR	OC	JPN	REMARKS
			3	3	3	3	
28	3LC-24182-00	DAMPER, LOCATING 2	3	3	3	3	
29	90465-13275	CLAMP	5	5	5	5	
30	90387-083U8	COLLAR	1	1	1	1	
31	4JT-2411M-00	CLIP	1	1	1	1	
32	90480-18418	GROMMET	1	1	1	1	
33	22F-24181-00	DAMPER, LOCATING 1	1	1	1	1	
34	4NK-13907-00	FUEL PUMP COMP.	1	1	1	1	
35	90464-25160	CLAMP	2	2	2	2	
36	4JT-2411R-00	PLATE 1	10	10	10	10	AP

FIG. 21 SEAT

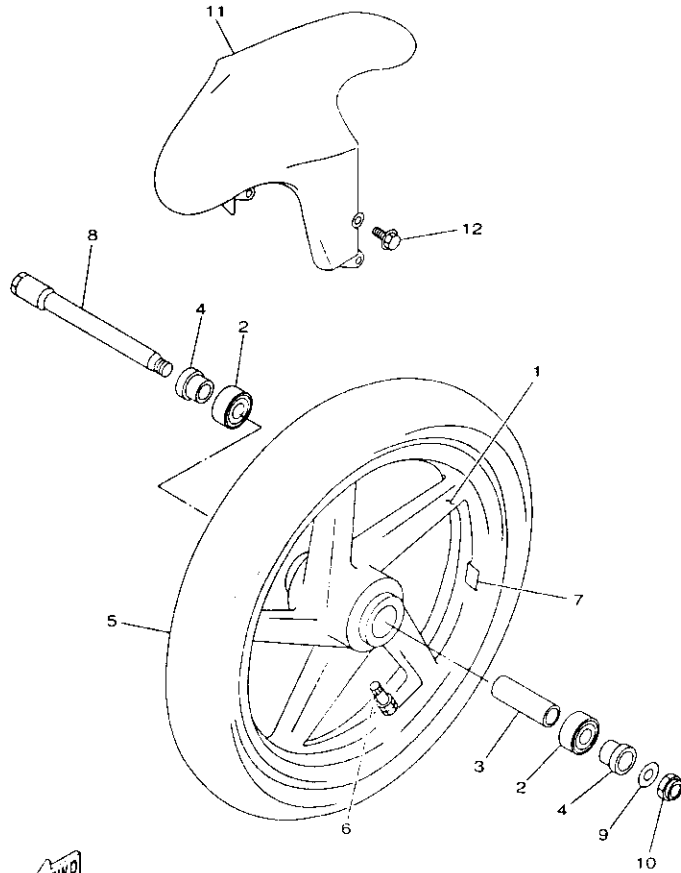


REF. NO.	PART NO.	DESCRIPTION	USA	EUR	OCE	JPN	REMARKS
1	4TW-24710-00	SINGLE SEAT ASSY	1	1	1	1	
2	4DP-24713-00	CUSHION	1	1	1	1	
3	4JT-24763-00	PAD, SEAT 2	1	1	1	1	
4	99237-00100	EMBLEM, YAMAHA	1	1	1	1	
5	90150-06036	SCREW, ROUND HEAD	4	4	4	4	
6	90480-13197	GROMMET	4	4	4	4	



4TW3100-8210

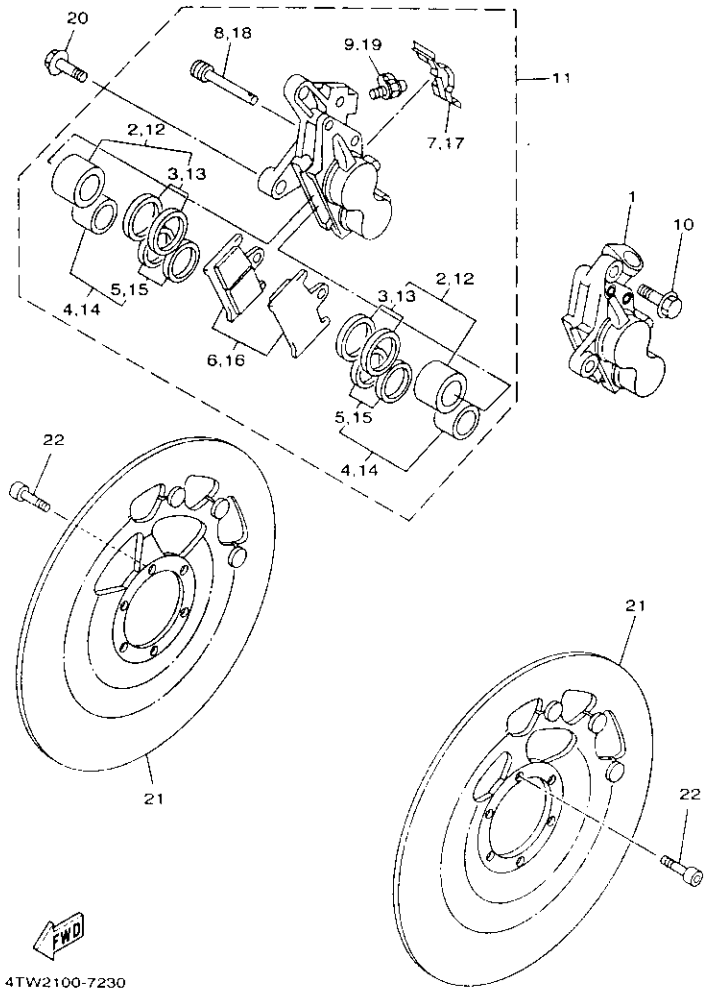
FIG. 22 FRONT WHEEL



REF. NO.	PART NO.	DESCRIPTION	USA	EUR	OCG	JPN	REMARKS
1	4TW-25168-00	CAST WHEEL, FRONT	1	1	1	1	
2	93306-00507	BEARING (B6005)	2	2	2	2	
3	4TW-25117-00	SPACER, BEARING	1	1	1	1	
4	4TW-25183-00	COLLAR, WHEEL	2	2	2	2	
5	94112-1713L	TIRE (120/60 ZR17 KR106)	1	1	1	1	DUNLOP
6	93900-00031	VALVE, RIM	1	1	1	1	
7	4TW-25398-00	BALANCER, WHEEL	1	1	1	1	UN
8	4DP-25181-10	AXLE, WHEEL	1	1	1	1	
9	90201-183E1	WASHER, PLATE	1	1	1	1	
10	90185-18104	NUT, SELF-LOCKING	1	1	1	1	
11	4TW-21510-00	FRONT FENDER COMP.	1	1	1	1	
12	90150-06021	SCREW, ROUND HEAD	4	4	4	4	

← FWD
4TW1100-6220

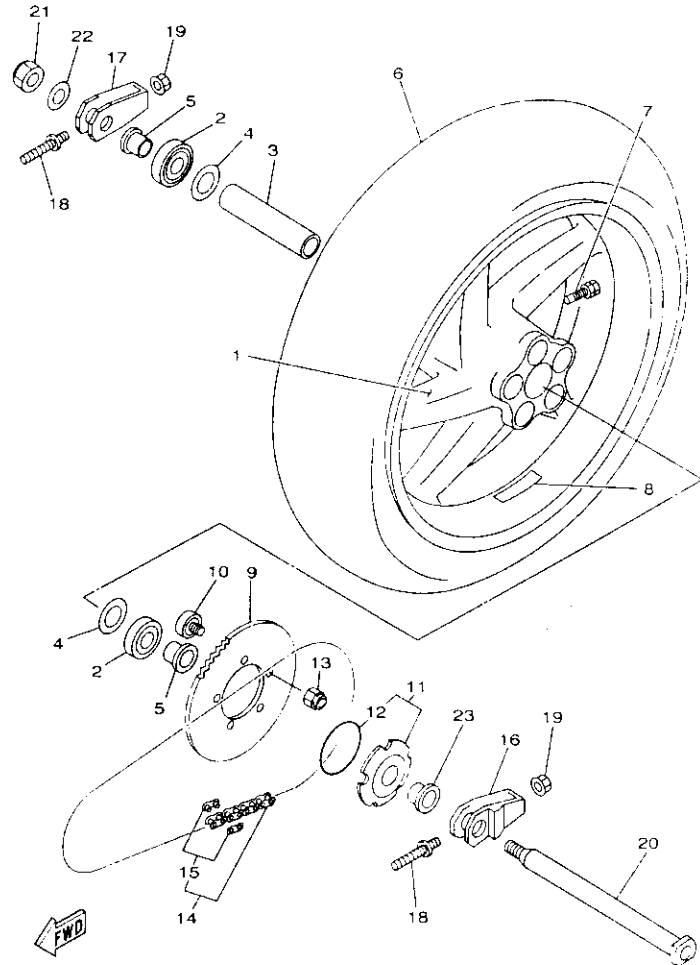
FIG. 23 FRONT BRAKE CALIPER



REF. NO.	PART NO.	DESCRIPTION	USA	EUR	OC	JP	REMARKS
			1	1	1	1	
1	4TW-2580T-10	CALIPER ASSY (LEFT)	1	1	1	1	
2	4TW-W0057-00	.PISTON ASSY, CALIPER	1	1	1	1	
3	4TW-W0047-00	.CALIPER SEAL KIT	1	1	1	1	
4	4TW-W0057-10	.PISTON ASSY, CALIPER	1	1	1	1	
5	4TW-W0047-10	.CALIPER SEAL KIT	1	1	1	1	
6	4TW-W0045-10	.BRAKE PAD KIT	1	1	1	1	
7	3FV-25919-00	.SUPPORT, PAD	1	1	1	1	
8	3FV-25924-00	.PIN, PAD	1	1	1	1	
9	1UY-W0048-50	.BLEED SCREW KIT	1	1	1	1	
10	90105-10725	BOLT, WASHER BASED	2	2	2	2	
11	4TW-2580U-10	CALIPER ASSY (RIGHT)	1	1	1	1	
12	4TW-W0057-00	.PISTON ASSY, CALIPER	1	1	1	1	
13	4TW-W0047-00	.CALIPER SEAL KIT	1	1	1	1	
14	4TW-W0057-10	.PISTON ASSY, CALIPER	1	1	1	1	
15	4TW-W0047-10	.CALIPER SEAL KIT	1	1	1	1	
16	4TW-W0045-10	.BRAKE PAD KIT	1	1	1	1	
17	3FV-25919-00	.SUPPORT, PAD	1	1	1	1	
18	3FV-25924-00	.PIN, PAD	1	1	1	1	
19	1UY-W0048-50	.BLEED SCREW KIT	1	1	1	1	
20	90105-10725	BOLT, WASHER BASED	2	2	2	2	
21	4JT-2581T-00	DISC BRAKE ASSY	2	2	2	2	
22	90110-08193	BOLT, HEXAGON SOCKET HEAD	12	12	12	12	

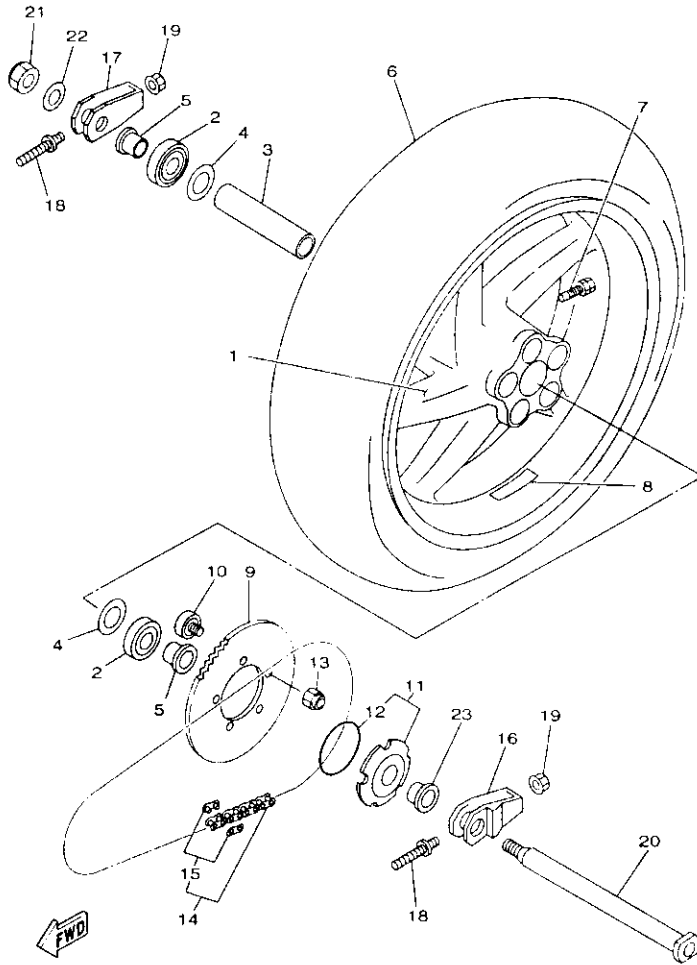
4TW2100-7230

FIG. 24 REAR WHEEL



REF. NO.	PART NO.	DESCRIPTION	USA	EUR	OCE	JPN	REMARKS
1	4TW-25338-00	CAST WHEEL, REAR	1	1	1	1	
2	93306-00507	BEARING (B6005)	2	2	2	2	
3	4TW-25317-00	SPACER, BEARING	1	1	1	1	
4	4DP-2518A-00	PLATE, FITTING	2	2	2	2	
5	4TW-25383-00	COLLAR, WHEEL	2	2	2	2	
6	94116-1713M	TIRE (185/55 ZR17 KR108)	1	1	1	1	DUNLOP
7	93900-00031	VALVE, RIM	1	1	1	1	
8	4TW-25398-00	BALANCER, WHEEL	1	1	1	1	UN
9	4TW-25435-01	SPROCKET, DRIVEN (35T)	1	1	1	1	STD
	4TW-25436-01	SPROCKET, DRIVEN (36T)	1	1	1	1	UR
	4TW-25437-01	SPROCKET, DRIVEN (37T)	1	1	1	1	UR
	4TW-25438-01	SPROCKET, DRIVEN (38T)	1	1	1	1	UR
	4TW-25439-01	SPROCKET, DRIVEN (39T)	1	1	1	1	UR
	4TW-25440-01	SPROCKET, DRIVEN (40T)	1	1	1	1	UR
10	3YL-25364-00	DAMPER	5	5	5	5	
11	4DP-25360-00	CLUTCH ASSY	1	1	1	1	
12	93210-69434	O-RING	1	1	1	1	
13	90185-08089	NUT, SELF-LOCKING	5	5	5	5	
14	94561-62110	CHAIN (RKGB520TRU 110L)	1	1	1	1	STD
	94561-62114	CHAIN (RKGB520TRU 114L)	1	1	1	1	AP
15	94661-62031	JOINT, CHAIN	1	1	1	1	
16	4TW-25388-00	PULLER, CHAIN 1	1	1	1	1	
17	4TW-25389-00	PULLER, CHAIN 2	1	1	1	1	
18	4DP-25379-00	BOLT, CHAIN PULLAR	2	2	2	2	
19	90185-08097	NUT, SELF-LOCKING	2	2	2	2	
20	4TW-25381-00	AXLE, WHEEL	1	1	1	1	
21	90185-18104	NUT, SELF-LOCKING	1	1	1	1	

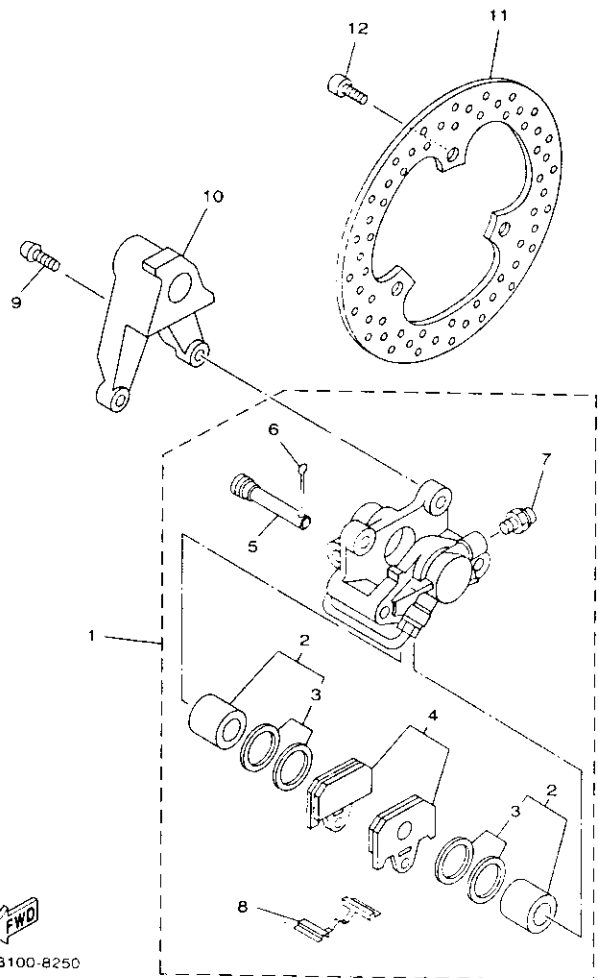
FIG. 24 REAR WHEEL



4TW1100-6240

REF. NO.	PART NO.	DESCRIPTION	USA	EUR	CEE	JPN	REMARKS
22	90201-183E1	WASHER, PLATE	1	1	1	1	
23	4TW-25376-00	COLLAR, WHEEL	1	1	1	1	

FIG. 25 REAR BRAKE CALIPER



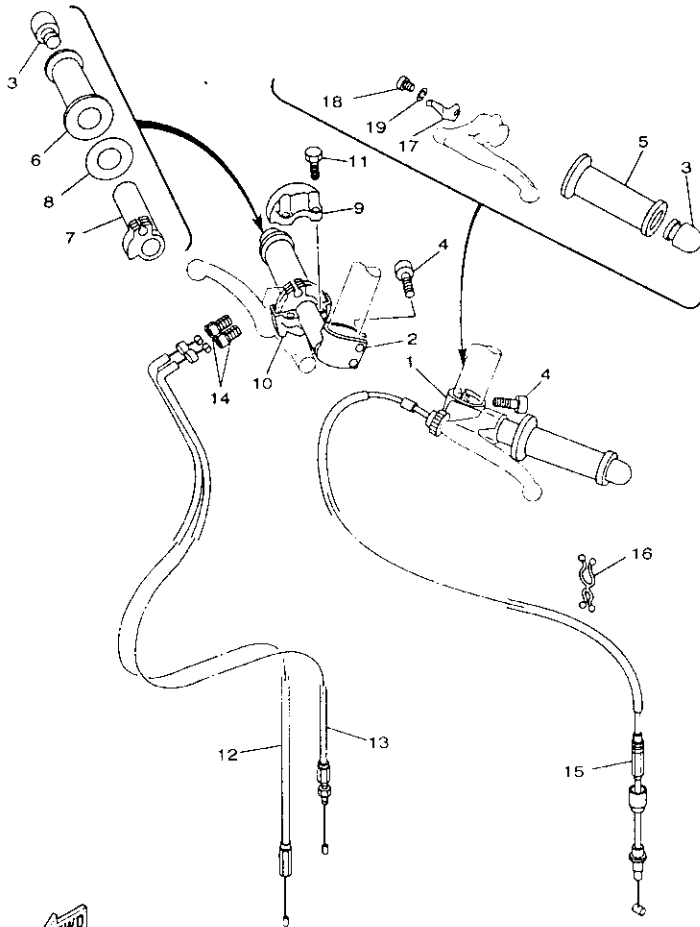
REF. NO.	PART NO.	DESCRIPTION	USA	EUR	OC	JPN	REMARKS
1	4TW-2580W-00	CALIPER ASSY, REAR 2	1	1	1	1	
2	4DP-W0057-00	.PISTON ASSY, CALIPER	1	1	1	1	
3	3LC-W0047-50	.CALIPER SEAL KIT	1	1	1	1	
4	4TW-W0046-00	.BRAKE PAD KIT 2	1	1	1	1	
5	4JT-25924-00	.PIN, PAD	1	1	1	1	
6	91401-16012	.PIN, COTTER	1	1	1	1	
7	1UY-W0048-50	.BLEED SCREW KIT	1	1	1	1	
8	4TW-25919-50	.SUPPORT, PAD	1	1	1	1	
9	92017-08020	BOLT, BUTTON HEAD	2	2	2	2	
10	4TW-25819-00	BRACKET, CALIPER	1	1	1	1	
11	4TW-2582W-00	DISC, REAR BRAKE 2	1	1	1	1	
12	90110-08193	BOLT, HEXAGON SOCKET HEAD	3	3	3	3	

4TW3100-8250

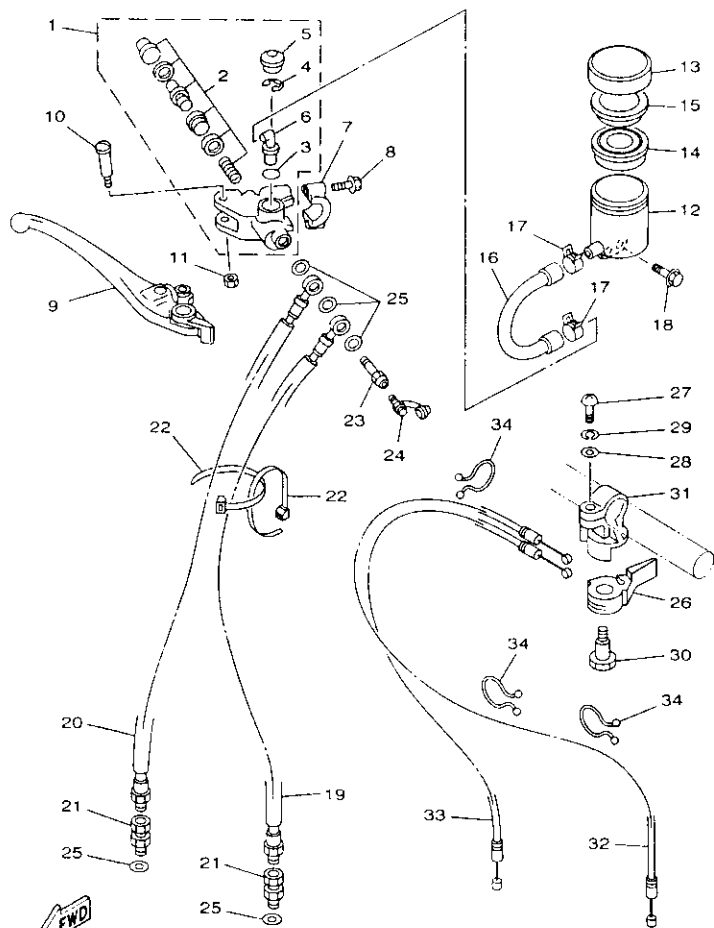
D7

FIG. 26 STEERING HANDLE, CABLE

REF. NO.	PART NO.	DESCRIPTION	USA	EUR	OC	JPN	REMARKS
1	3YL-26121-00	HANDLEBAR (LEFT)	1	1	1	1	
2	3YL-26122-01	HANDLEBAR (RIGHT)	1	1	1	1	
3	4JT-26246-00	END, GRIP	2	2	2	2	
4	91317-06025	BOLT	4	4	4	4	
5	47X-26241-00	GRIP (LEFT)	1	1	1	1	
6	47X-26242-00	GRIP (RIGHT)	1	1	1	1	
7	3YL-26243-00	TUBE, THROTTLE GUIDE	1	1	1	1	
8	3Y1-26249-00	RING, LEAF	1	1	1	1	
9	3YL-26281-01	CAP, GRIP UPPER	1	1	1	1	
10	3YL-26282-00	CAP, GRIP LOWER	1	1	1	1	
11	91317-05020	BOLT	2	2	2	2	
12	4TW-26311-10	CABLE, THROTTLE 1	1	1	1	1	
13	4TW-26312-10	CABLE, THROTTLE 2	1	1	1	1	
14	90123-06007	BOLT	2	2	2	2	
15	4TW-26335-10	CABLE, CLUTCH	1	1	1	1	
16	90464-16115	CLAMP	1	1	1	1	
17	5F6-26368-00	SPRING, LOCK	1	1	1	1	
18	98507-05008	SCREW, PAN HEAD	1	1	1	1	
19	92907-05100	WASHER, SPRING	1	1	1	1	



4TW3100-8260



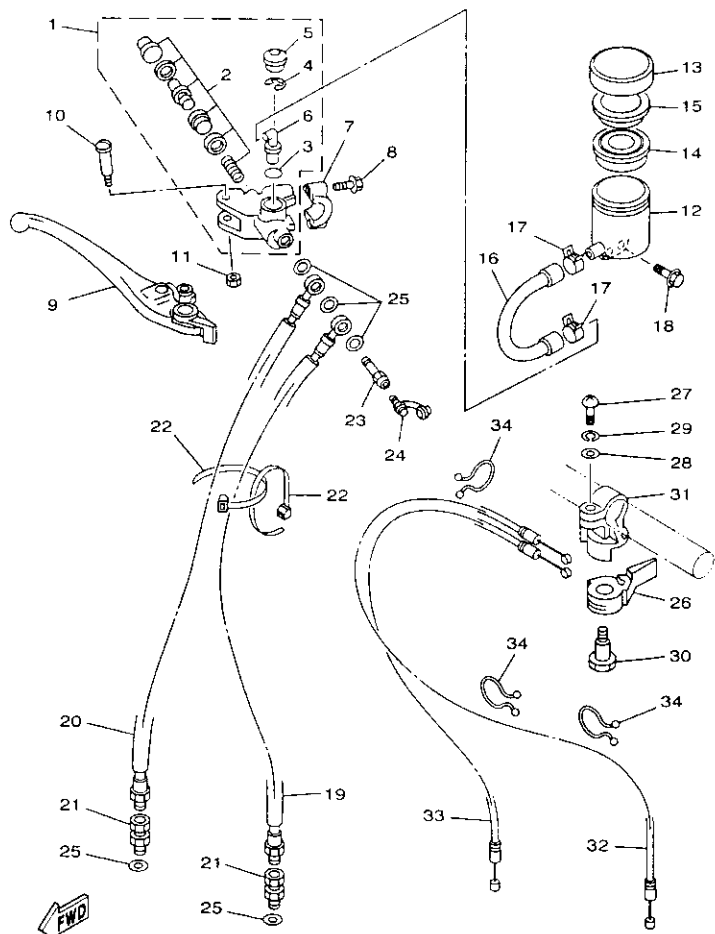
4TW3100-8270

FIG. 27 FRONT MASTER CYLINDER

REF. NO.	PART NO.	DESCRIPTION	USA	EUR	OC	JPN	REMARKS
1	3FV-W2587-00	MASTER CYLINDER SUB ASSY	1	1	1	1	
2	4K0-W0041-50	CYLINDER KIT, MASTER	1	1	1	1	
3	93210-15620	O-RING	1	1	1	1	
4	2VN-25866-00	CIRCLIP	1	1	1	1	
5	3FV-2589A-00	COVER, DUST	1	1	1	1	
6	2VN-2582A-50	JOINT	1	1	1	1	
7	56A-25867-00	BRACKET, MASTER CYLINDER	1	1	1	1	
8	95026-06025	BOLT, FLANGE	2	2	2	2	
9	4JT-83922-00	LEVER 2	1	1	1	1	
10	3FV-2589F-00	BOLT, LEVER	1	1	1	1	
11	95606-06100	NUT, U	1	1	1	1	
12	3FV-25894-00	TANK, RESERVOIR	1	1	1	1	
13	3FV-25852-00	CAP, RESERVOIR	1	1	1	1	
14	3FV-25854-00	DIAPHRAGM, RESERVOIR	1	1	1	1	
15	2J2-25855-50	BUSH, DIAPHRAGM	1	1	1	1	
16	3YL-2582F-00	HOSE	1	1	1	1	
17	3PA-24356-00	CLIP, PIPE 1	2	2	2	2	
18	95027-06014	BOLT, FLANGE	1	1	1	1	
19	4DP-25872-01	HOSE, BRAKE 1	1	1	1	1	
20	4TW-25873-01	HOSE, BRAKE 2	1	1	1	1	
21	3LC-25885-00	JOINT	2	2	2	2	
22	90465-13275	CLAMP	2	2	2	2	
23	90401-10174	BOLT, UNION	1	1	1	1	
24	36Y-W0048-00	BLEED SCREW KIT	1	1	1	1	
25	90201-10118	WASHER, PLATE	5	5	5	5	
26	240-83941-00	LEVER, STARTER	1	1	1	1	
27	98507-06018	SCREW, PAN HEAD	1	1	1	1	

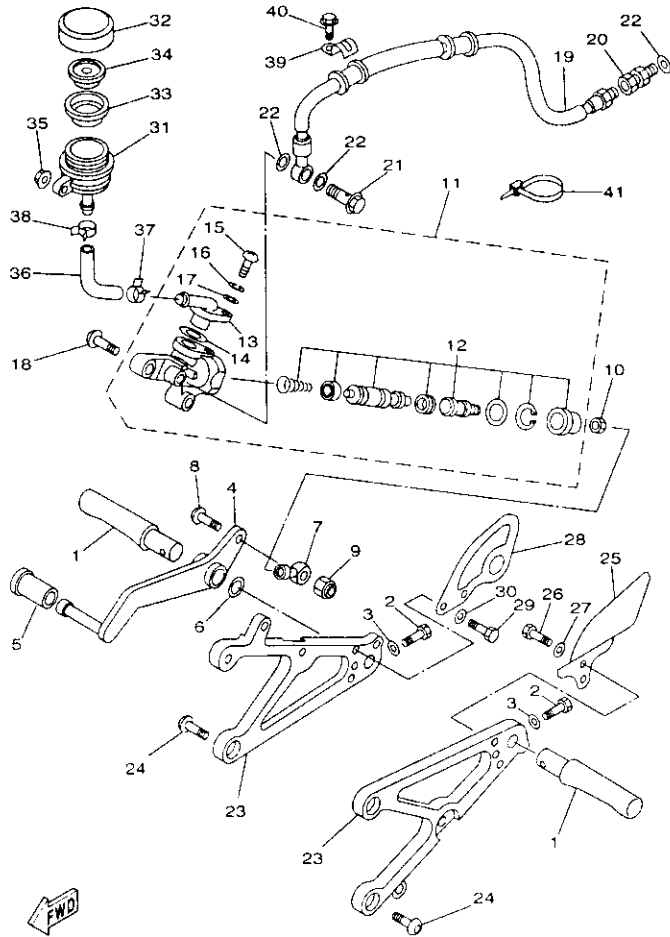
FIG. 27 FRONT MASTER CYLINDER

REF. NO.	PART NO.	DESCRIPTION	USA	EUR	OCÉ	JPN	REMARKS
28	90201-12175	WASHER, PLATE	1	1	1	1	
29	92907-06100	WASHER, SPRING	1	1	1	1	
30	90109-08398	BOLT	1	1	1	1	
31	240-83946-00	HOLDER, STARTER LEVER	1	1	1	1	
32	4DP-26331-00	CABLE, STARTER 1	1	1	1	1	
33	4DP-26334-00	CABLE, STARTER 2	1	1	1	1	
34	90464-23041	CLAMP	3	3	3	3	



4TW3100-8270

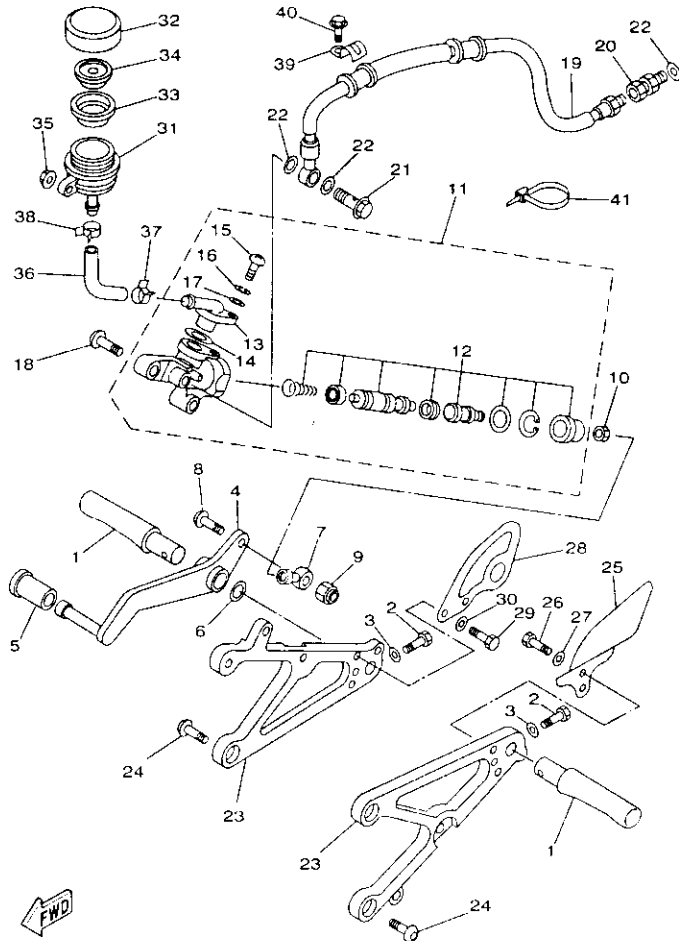
FIG. 28 STAND, FOOTREST



4TW4100-9280

REF. NO.	PART NO.	DESCRIPTION	USA	EUR	OCE	JPN	REMARKS
			2	2	2	2	
1	4JT-27411-11	FOOTREST 1	2	2	2	2	
2	97007-06020	BOLT	2	2	2	2	
3	92907-06600	WASHER, PLATE	2	2	2	2	
4	4JT-27211-00	PEDAL, BRAKE	1	1	1	1	
5	4A0-18113-00	COVER, SHIFT PEDAL	1	1	1	1	
6	90201-14212	WASHER, PLATE	1	1	1	1	
7	3YL-27222-00	JOINT	1	1	1	1	
8	92017-06020	BOLT, BUTTON HEAD	1	1	1	1	
9	95607-06100	NUT, U	1	1	1	1	
10	95307-06600	NUT	1	1	1	1	
11	3YL-2583V-00	RR. MASTER CYLINDER ASSY.	1	1	1	1	
12	3YL-W0042-50	.CYLINDER KIT, MASTER	1	1	1	1	
13	36Y-2582A-50	JOINT	1	1	1	1	
14	93210-15620	O-RING	1	1	1	1	
15	98511-04012	SCREW, PAN HEAD	1	1	1	1	
16	92902-04100	WASHER, SPRING	1	1	1	1	
17	92901-04600	WASHER, PLATE	1	1	1	1	
18	92017-08025	BOLT, BUTTON HEAD	2	2	2	2	
19	4TW-25874-00	HOSE, BRAKE	1	1	1	1	
20	3LC-25885-00	JOINT	1	1	1	1	
21	90401-10168	BOLT, UNION	1	1	1	1	
22	90201-10118	WASHER, PLATE	3	3	3	3	
23	4JT-27412-20	BRACKET, FOOTREST 1	2	2	2	2	
24	92017-08020	BOLT, BUTTON HEAD	4	4	4	4	
25	4TW-27445-00	PLATE 1	1	1	1	1	
26	97017-05016	BOLT	2	2	2	2	
27	92907-05600	WASHER, PLATE	2	2	2	2	

FIG. 28 STAND, FOOTREST



REF. NO.	PART NO.	DESCRIPTION	USA	EUR	OC	JPN	REMARKS
			1	2	2	1	
28	4TW-27264-00	BRACKET 2	1	1	1	1	
29	97017-05016	BOLT	2	2	2	2	
30	92907-05600	WASHER, PLATE	2	2	2	2	
31	4EW-25894-00	TANK, RESERVOIR	1	1	1	1	
32	3XP-25852-50	CAP, RESERVOIR	1	1	1	1	
33	2VN-25854-00	DIAPHRAGM, RESERVOIR	1	1	1	1	
34	2VN-25855-00	BUSH, DIAPHRAGM	1	1	1	1	
35	95607-06200	NUT, SELF U-FLANGE	1	1	1	1	
36	4TW-25895-00	HOSE, RESERVOIR	1	1	1	1	
37	90467-14057	CLIP	1	1	1	1	
38	90467-11044	CLIP	1	1	1	1	
39	3XV-25876-00	HOLDER, BRAKE HOSE 2	2	2	2	2	
40	95027-06016	BOLT, FLANGE	2	2	2	2	
41	90464-12089	CLAMP	2	2	2	2	

4TW4100-9280

FIG. 29 COWLING 1

REF. NO.	PART NO.	DESCRIPTION	USA	EUR	OCE.	JPN	REMARKS
1	4TW-28350-11	COWLING ASSY	1	1	1	1	
2	4TW-28381-10	WINDSHIELD	1	1	1	1	
3	98907-04010	SCREW, BIND	6	6	6	6	
4	95607-04100	NUT, U	6	6	6	6	
5	92907-04200	WASHER	6	6	6	6	
6	3YL-28386-00	HEAD	5	5	5	5	
7	240-28389-00	RIVET	5	5	5	5	
8	3YL-28388-00	SPRING	5	5	5	5	
9	2TV-21638-00	DAMPER 1	1	1	1	1	
10	4TW-28371-00	DAMPER	1	1	1	1	
11	4TW-28371-10	DAMPER	1	1	1	1	
12	4TW-2838N-10	DUCT 1	1	1	1	1	
13	18G-82131-00	BAND, BATTERY	1	1	1	1	
14	90465-10098	CLAMP	1	1	1	1	
15	4JT-28356-00	STAY 1	1	1	1	1	
16	4DP-2836A-00	BRACKET 1	1	1	1	1	
17	4TW-2836E-00	BRACKET 2	1	1	1	1	
18	95027-06030	BOLT, FLANGE	4	4	4	4	
19	95617-06100	NUT, U	4	4	4	4	
20	90464-25160	CLAMP	2	2	2	2	
21	4JT-28321-00	STAY 1	2	2	2	2	
22	95027-06014	BOLT, FLANGE	2	2	2	2	
23	3YL-28358-00	STAY 3	2	2	2	2	
24	4A0-28364-00	NUT	4	4	4	4	
25	4DP-28362-01	NUT	1	1	1	1	
26	4DP-28354-00	CLIP, COWLING	4	4	4	4	
27	91401-25030	PIN, COTTER	2	2	2	2	

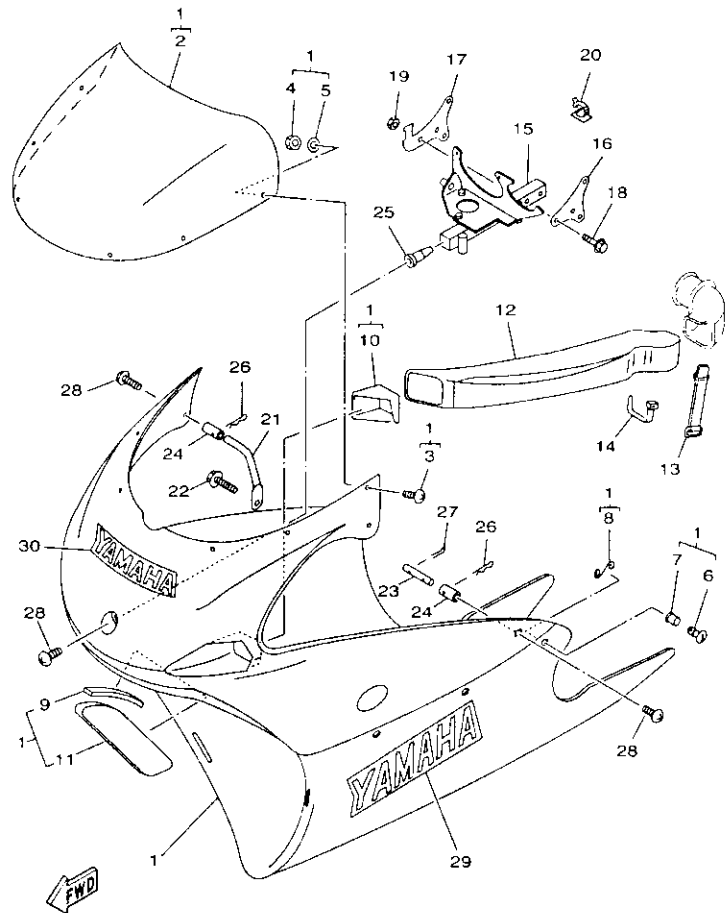
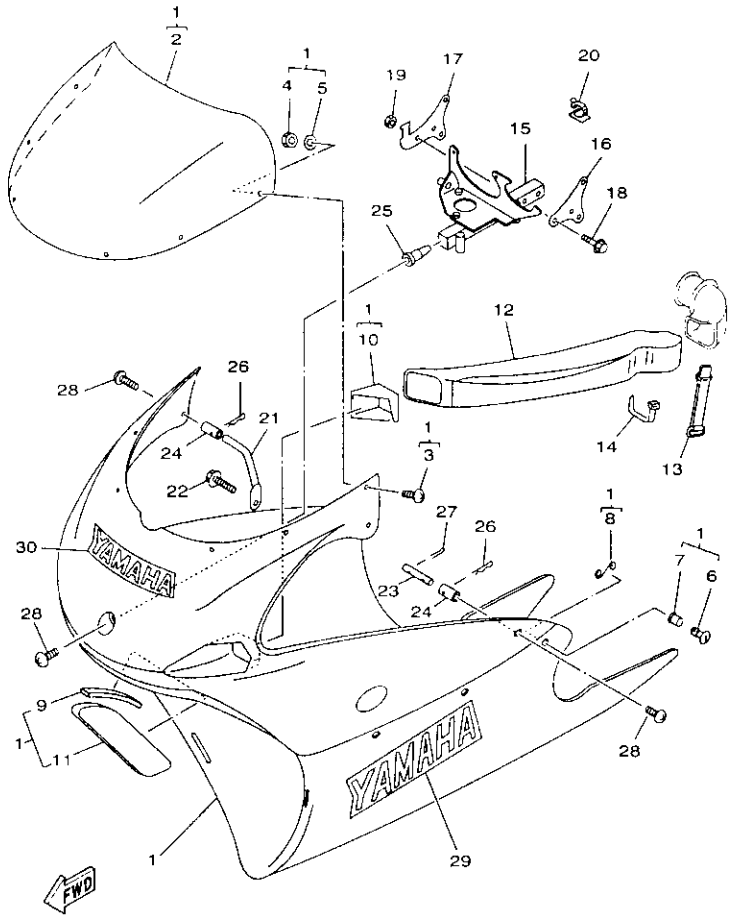


FIG. 29 COWLING 1

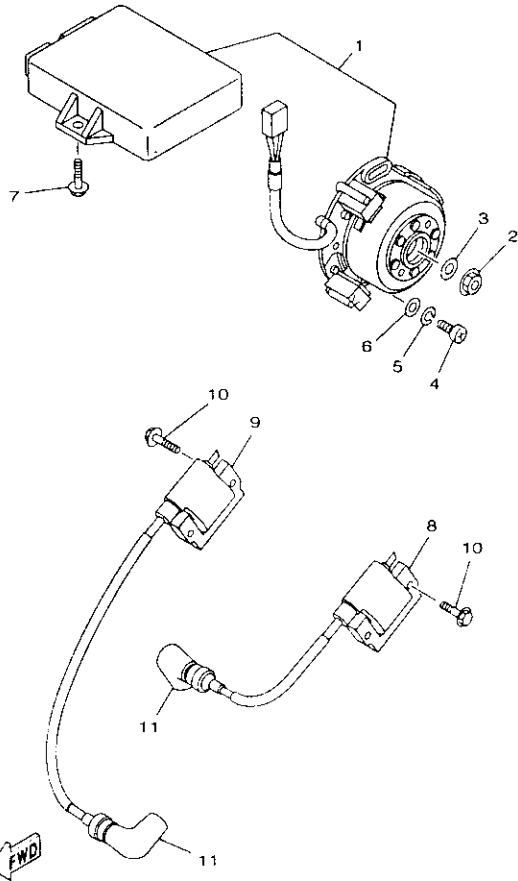
REF. NO.	PART NO.	DESCRIPTION	USA	EUR	OCCE	JPN	REMARKS
28	90150-06021	SCREW, ROUND HEAD	5	5	5	5	
29	99237-00280	EMBLEM, YAMAHA	2	2	2	2	
30	99237-00100	EMBLEM, YAMAHA	1	1	1	1	



4TW4100-9290

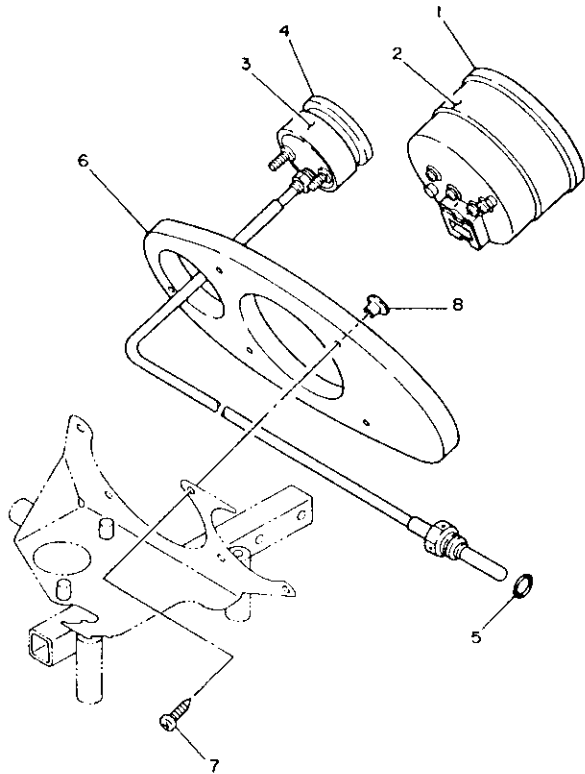
FIG. 30 GENERATOR

REF. NO.	PART NO.	DESCRIPTION	USA	EUR	OCE	JPN	REMARKS
1	4DP-85501-40	C.D.I. MAGNETO SET	1	1	1	1	
2	90179-12335	NUT	1	1	1	1	
3	90201-127E1	WASHER, PLATE	1	1	1	1	
4	98507-06020	SCREW, PAN HEAD	2	2	2	2	
5	92907-06100	WASHER, SPRING	2	2	2	2	
6	92907-06600	WASHER, PLATE	2	2	2	2	
7	95027-06020	BOLT, FLANGE	2	2	2	2	
8	3YL-82310-00	IGNITION COIL ASSY	1	1	1	1	
9	3YL-82320-01	IGNITION COIL ASSY	1	1	1	1	
10	95027-06020	BOLT, FLANGE	4	4	4	4	
11	4PE-82370-10	PLUG CAP ASSY	2	2	2	2	



4TW3100-8300

FIG. 31 METER

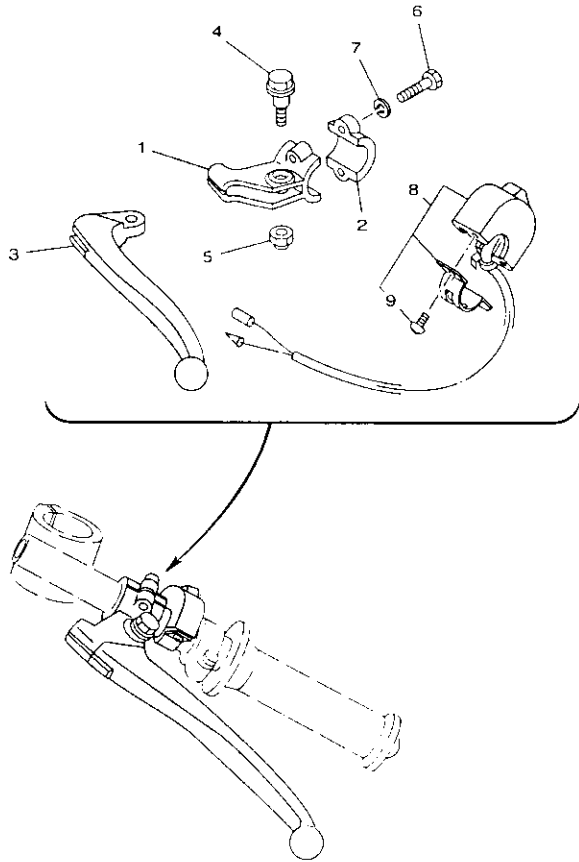


REF. NO.	PART NO.	DESCRIPTION	USA	EUR	OCCE	UPN	REMARKS
1	3YL-83540-00	TACHOMETER ASSY	1	1	1	1	
2	4A0-83541-00	DAMPER	1	1	1	1	
3	4A0-83592-00	DAMPER	1	1	1	1	
4	4JT-83590-01	WATER TEMPERATURE ASSY	1	1	1	1	
5	93210-10118	O-RING	1	1	1	1	
6	3LC-83611-00	PANEL, METER	1	1	1	1	
7	97780-40110	SCREW, TAPPING	5	5	5	5	
8	4A0-83522-00	COLLAR	5	5	5	5	



4DP4100-5310

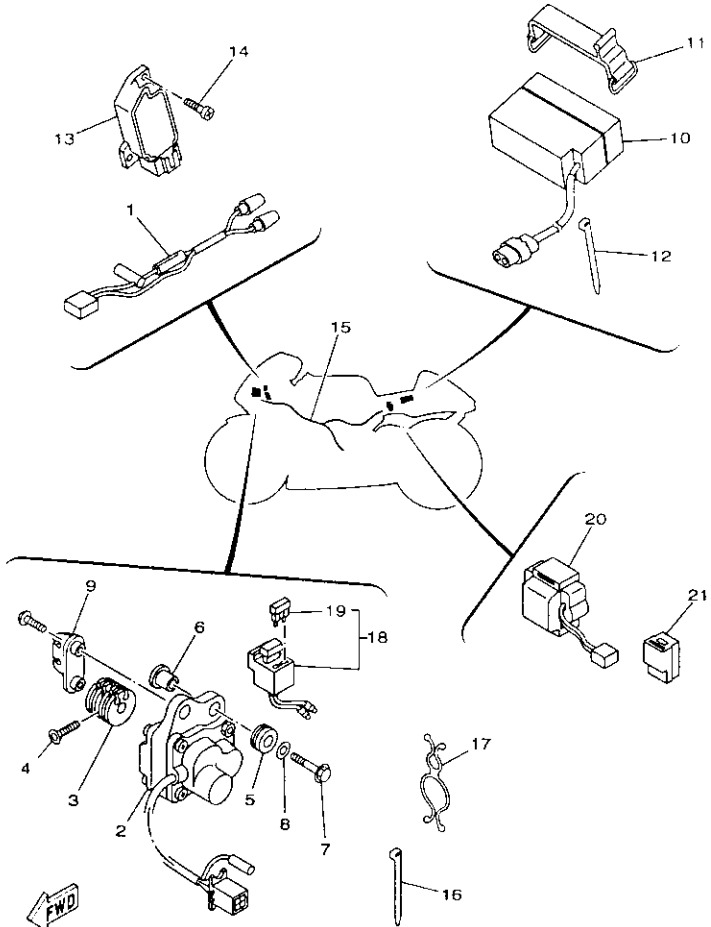
FIG. 32 HANDLE SWITCH, LEVER



REF. NO.	PART NO.	DESCRIPTION	USA	EUR	OCE	JPN	REMARKS
1	5F6-82911-00	HOLDER, LEVER 1	1	1	1	1	
2	4V4-82913-00	HOLDER, LEVER LOWER 1	1	1	1	1	
3	214-83912-00	LEVER 1	1	1	1	1	
4	90109-06799	BOLT	1	1	1	1	
5	95607-06100	NUT, U	1	1	1	1	
6	97007-05020	BOLT	2	2	2	2	
7	92907-05100	WASHER, SPRING	2	2	2	2	
8	4TW-83976-00	SWITCH, HANDLE 1	1	1	1	1	
9	98507-04014	.SCREW, PAN HEAD	2	2	2	2	


4TW3100-8320

FIG. 33 ELECTRICAL 1



4TW3100-8330

REF. NO.	PART NO.	DESCRIPTION	USA	EUR	OC	JPN	REMARKS
1	4TW-82117-00	WIRE, LEAD	1	1	1	1	
2	3LC-85850-00	GEARED MOTOR COMP.	1	1	1	1	
3	3YL-85821-00	PULLEY, DRIVE	1	1	1	1	
4	90151-05031	SCREW, COUNTERSUNK	1	1	1	1	
5	90480-14023	GROMMET	2	2	2	2	
6	90387-063E6	COLLAR	2	2	2	2	
7	95027-06025	BOLT, FLANGE	2	2	2	2	
8	90201-06380	WASHER, PLATE	2	2	2	2	
9	3YL-85824-00	BRACKET, CABLE	1	1	1	1	
10	4TW-82100-10	BATTERY ASSY (GS PE12V0.8)	1	1	1		
	4TW-82100-00	BATTERY ASSY (GS PE12V0.8)				1	
11	4J2-82131-01	BAND, BATTERY	1	1	1	1	
12	90464-13077	CLAMP	1	1	1	1	
13	1JK-81960-A1	RECTIFIER & REGULATOR ASSY	1	1	1	1	
14	98507-06020	SCREW, PAN HEAD	2	2	2	2	
15	4TW-82590-00	WIRE HARNESS ASSY	1	1	1	1	
16	90465-13275	CLAMP	2	2	2	2	
17	90464-26114	CLAMP	2	2	2	2	
18	4HF-82150-00	FUSE HOLDER ASSY	1	1	1	1	
19	42X-82151-00	FUSE (10A-BL)	2	2	2	2	
20	4TW-82576-00	EMERGENCY STOP SWITCH ASSY	1	1	1	1	
21	1UY-81950-92	RELAY ASSY	1	1	1	1	