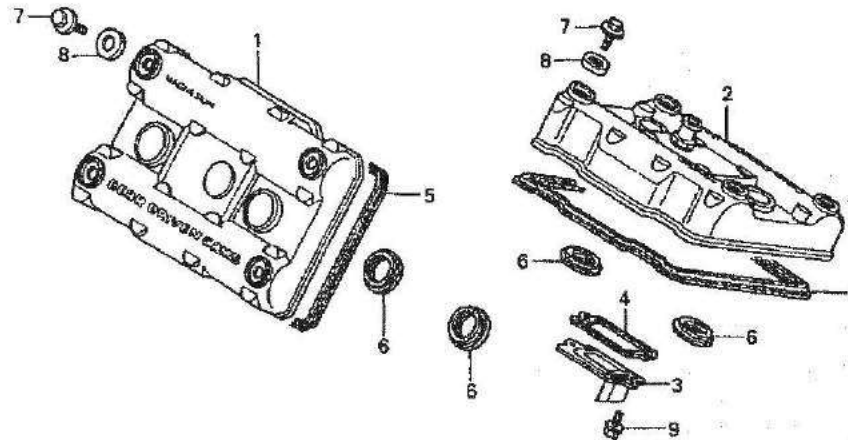


D 1

E-1

Cylinder head cover
 Couvercle de culasse
 Zylinderkopfdeckel
 Cubierta de culata



MR73-B0100

Service item	F.R.T.	Ref. No.	Part No.	Description	Reqd. No. VFR750R	Serial No.	Area code
COVER, FR. CYLINDER HEAD	1.0	1	12311-MR7-000	COVER, FR. CYLINDER HEAD	1	1	1
COVER, RR. CYLINDER HEAD	0.6	2	12321-MR7-000	COVER, RR. CYLINDER HEAD	1	1	1
GASKET, HEAD COVER (FR. CYLINDER SIDE 1.0)		3	12322-MR7-000	PLATE, BREATHER	1	1	1
		4	12323-MR7-000	GASKET, BREATHER PLATE	1	1	1
					1	-	-
			12323-MR7-780	GASKET, BREATHER PLATE	-	1	-
					1	1	-
		5	12391-MR7-000	GASKET, HEAD COVER	-	1	-
					2	2	2
		6	12392-MR7-000	GASKET B, CYLINDER HEAD COVER	4	4	4
		7	90002-MR7-000	BOLT, HEAD COVER	8	8	8
		8	90543-ML4-610	RUBBER, MOUNTING	8	8	8
		9	95701-06010-08	BOLT, FLANGE, 6X10	2	2	2
						2100970	SW
						2100971	SW

AR, B, C, M, E, ED, F, FI, G, H, JT
 N, NZ, SP, U
 SW
 SD

2

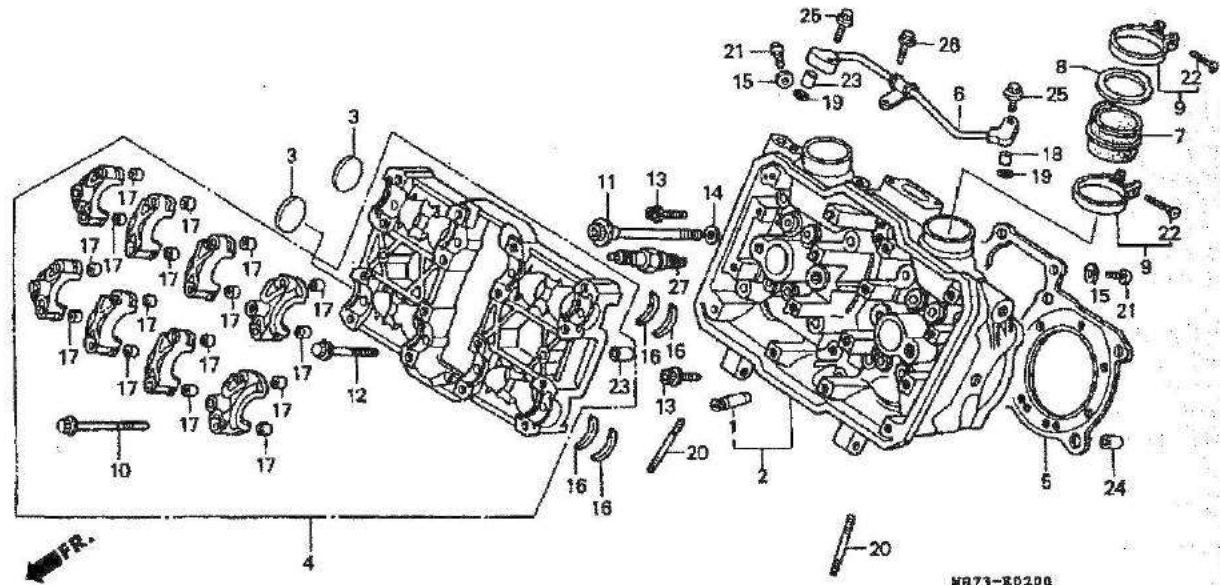
E-2

Cylinder head
(Front)

Culasse
(Avant)

Zylinderkopf
(Vorder)

Culata
(Delantero)



NR73-R0200

Service Item	F.R.T.	Ref. No.	Part No.	Description	Reqd. No. VPR750R	Serial No.	Area code
GUIDE, VALVE	5.2	1	12204-MR7-305	GUIDE, VALVE (O.S.)	8	8	
(INC. REAMING)		2	12210-MR7-000	HEAD COMP., FR. CYLINDER			
(ADD 0.3 FOR EACH.)			12210-MR7-010	HEAD COMP., FR. CYLINDER	1		2002116
(EXC. VALVE REFACING)			12210-MR7-010	HEAD COMP., FR. CYLINDER	1		2002117
(ADD MORE D.2 IF PERFORMED.)					-	1	1
HEAD COMP., FR. CYLINDER	6.3	3	12225-MR7-000	PLATE, SIDE SEAL	2	2	2
HOLDER ASSY., FR. CAM	5.1	4	12230-MR7-000	HOLDER ASSY., FR. CAM	1	1	1
GASKET, CYLINDER HEAD	4.1	5	12251-MR7-003	GASKET, CYLINDER HEAD	1	1	1
PIPE, FR. FEED	1.4						
INSULATOR, CARBURETOR	0.8	6	15310-MR7-000	PIPE, FR. FEED	1	1	1
(ADD 0.1 FOR EACH.)		7	16211-MR7-000	INSULATOR, CARBURETOR	2	2	2
(WHEN SERVICING COMP., UNIT, F.R.T. IS 1.0.)			16211-MR7-610	INSULATOR, CARBURETOR	2	2	-
PLUG, SPARK	0.5	8	16212-MR7-610	PLATE, INSULATOR	2	2	-
(ADD 0.1 FOR EACH.)		9	16223-MJD-000	BAND, INSULATOR	4	4	4
		10	90001-MR7-000	BOLT, FLANGE, 7X59	16	16	16

B,C,M,E,ED,F,FI,H,IT,N,SP
SW,U
AR,G,NZ,SD
AR,G,NZ,SD

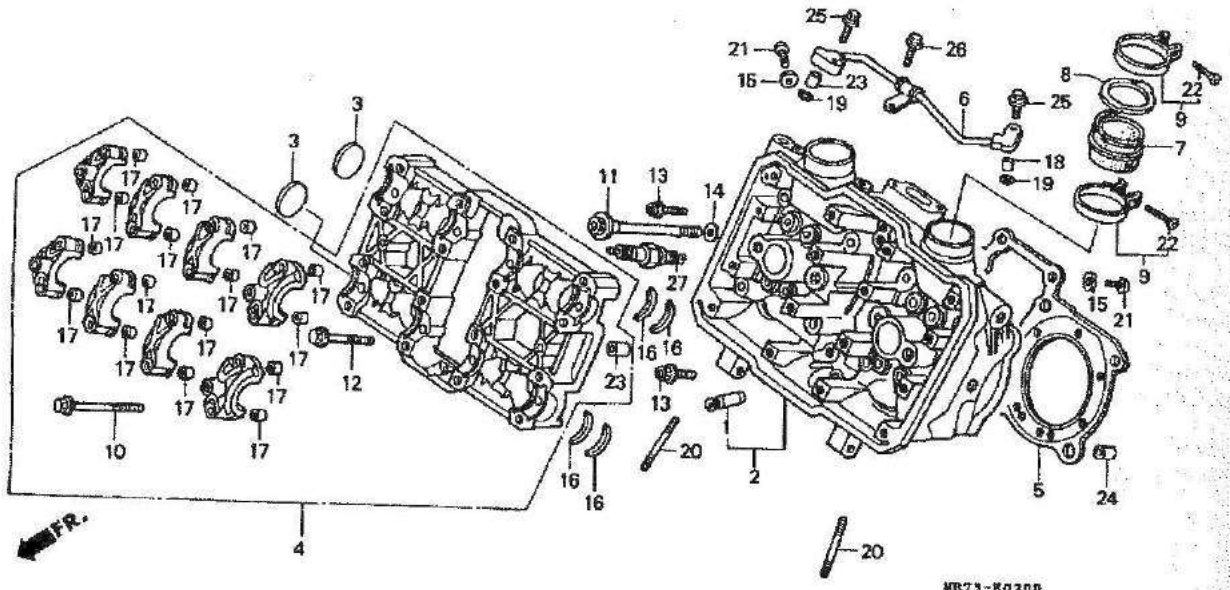
E-2

Cylinder head
(Front)

Culasse
(Avant)

Zylinderkopf
(Vorder)

Culata
(Dalantero)



2

Service item	F.R.T.	Ref. No.	Part No.	Description	Reqd. No.			Serial No.	Area code
					VFR750R	K			
		11	90007-MR7-004	BOLT, SOCKET, 9X87	8	8	8		
		12	90017-MA6-000	BOLT, FLANGE, 6X45.5	2	2	2		
		13	90093-KF0-000	BOLT, FLANGE SOCKET, 6X40	3	3	3		
		14	90445-MM4-000	WASHER, 9MM	8	8	8		
		15	90452-323-000	WASHER, 5MM	2	2	2		
		16	90603-MR7-000	SET RING, 30MM	4	4	4		
		17	90701-MR7-000	PIN, DOWEL, 9X14	16	16	16		
		18	90806-ML7-000	ORIFICE, FEEDER, 1.5	1	1	1		
		19	91313-393-003	O-RING, 7.8X2.2 (ARAI)	2	2	2		
		20	92700-06036-0E	BOLT, STUD, 6X35	4	4	4		
		21	93500-05008-0G	SCREW, PAN, 5X8	2	2	2		
		22	93500-05025-0G	SCREW, PAN, 5X25	4	4	4		
		23	94301-08140	PIN, DOWEL, 8X14	3	3	3		
		24	94301-12200	PIN, DOWEL, 12X20	2	2	2		
		25	95701-06022-07	BOLT, FLANGE, 6X22	2	2	2		

D 4

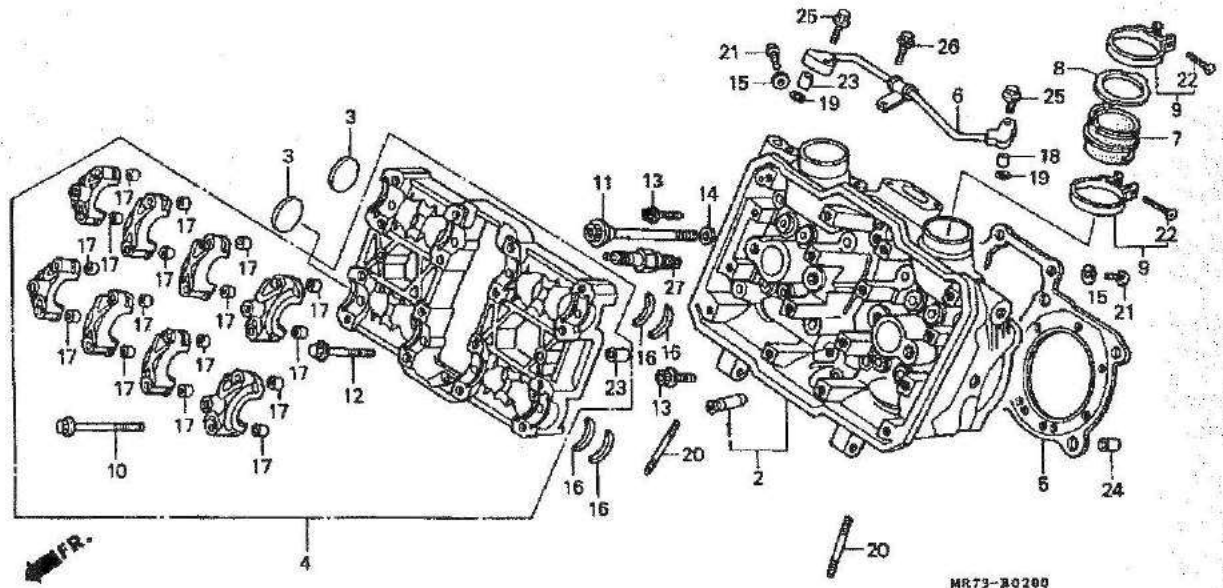
E-2

**Cylinder head
(Front)**

**Culasse
(Avant)**

**Zylinderkopf
(Vorder)**

**Culata
(Delantero)**



MR73-30200

2

Service item	F.R.T.	Ref. No.	Part No.	Description	Reqd. No.			Serial No.	Area code
					VFA750R	J	K		
		26	96001-06012-07	BOLT, FLANGE, 6X 12	1	1	1		
		27	98059-59916	PLUG, SPARK (CR9EH9)(NGK)	2	2	2		
			98059-59926	PLUG, SPARK (U27FER9)(ND)	2	2	2		
			98059-58910	PLUG, SPARK (C8EH9)(NGK)	(2)	(2)	(2)		
			98059-58920	PLUG, SPARK (U24FE9)(ND)	(2)	(2)	(2)		

D 5

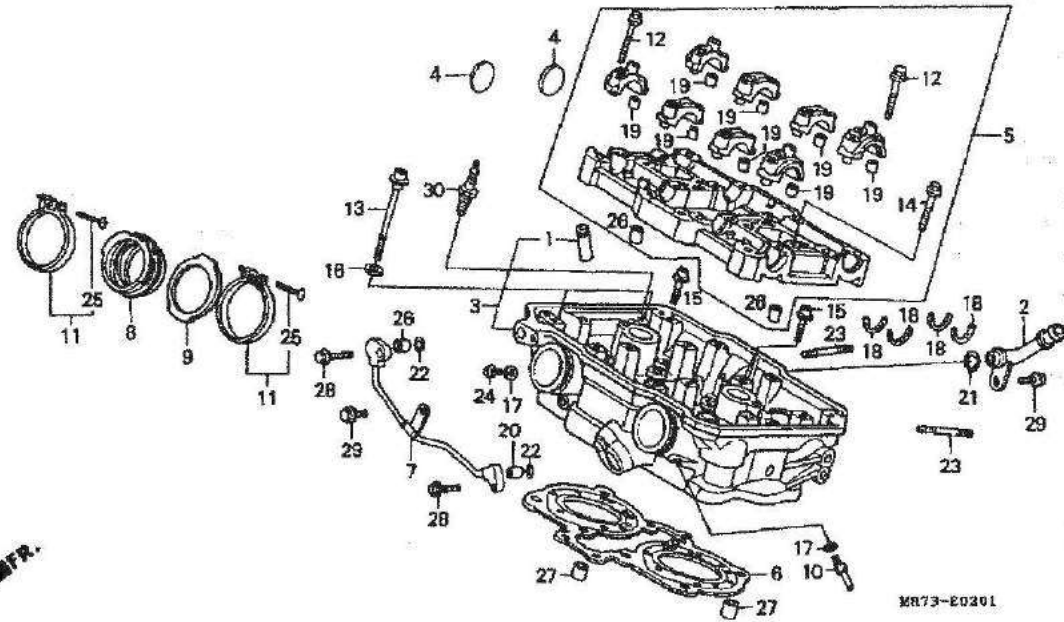
E-2-1

Cylinder head
(Rear)

Culasse
(Arrière)

Zylinderkopf
(Hinten)

Culata
(Trasero)



2

Service item	F.R.T.	Ref. No.	Part No.	Description	Recd. No. VFR750R	Serial No.	Area code
GUIDE, VALVE (INC. REAMING) (ADD 0.3 FOR EACH.) (EXC. VALVE REFACING) (ADD MORE 0.2 IF PERFORMED.)	6.2	1	12204-MR7-305	GUIDE, VALVE (O.S.)	8	8	8
JOINT, BREATHER		2	12208-MR7-000	JOINT, BREATHER	1	1	1
HEAD COMP., RR. CYLINDER		3	12220-MR7-000	HEAD COMP., RR. CYLINDER	1	-	-
HEAD COMP., RR. CYLINDER			12220-MR7-010	HEAD COMP., RR. CYLINDER	1	-	-
JOINT, BREATHER	1.1				-	1	1
HEAD COMP., RR. CYLINDER	8.3	4	12225-MR7-000	PLATE, SIDE SEAL	2	2	2
HOLDER ASSY., RR. CAM	5.1	5	12240-MR7-000	HOLDER ASSY., RR. CAM	1	1	1
GASKET, CYLINDER HEAD	4.1						
PIPE, RR. FEED	1.4	6	12261-MR7-003	GASKET, CYLINDER HEAD	1	1	1
PLUG, SPARK	0.3	7	15320-MR7-000	PIPE, RR. FEED	1	1	1
(ADD 0.1 FOR EACH.)		8	16211-MR7-000	INSULATOR, CARBURETOR	2	2	2
			16211-MR7-610	INSULATOR, CARBURETOR	2	2	-
		9	16212-MR7-610	PLATE, INSULATOR	2	2	-
		10	16214-MB0-000	JOINT, BOOST	1	1	1

MR73-E0201

D 6

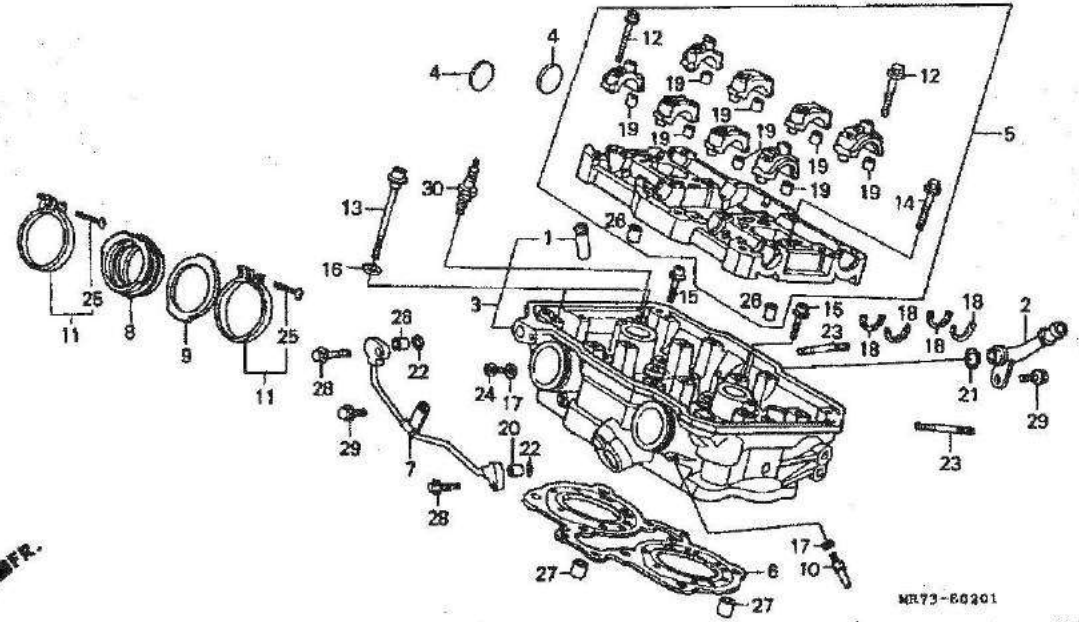
E-2-1

**Cylinder head
(Rear)**

**Culasse
(Arrière)**

**Zylinderkopf
(Hinten)**

**Culata
(Trasero)**



2

Service Item	F.R.T.	Ref. No.	Part No.	Description	Reqd. No.			Serial No.	Area code
					V	K	L		
		11	16223-MJ0-000	BAND, INSULATOR	4	4	4		
		12	90001-MR7-000	BOLT, FLANGE, 7X59	16	16	16		
		13	90007-MR7-004	BOLT, SOCKET, 9X87	8	8	8		
		14	90017-MA8-000	BOLT, FLANGE, 6X45.5	2	2	2		
		15	90093-KF0-000	BOLT, FLANGE SOCKET, 6X40	3	3	3		
		16	90445-MM4-000	WASHER, 9MM	8	8	8		
		17	90452-323-000	WASHER, 5MM	2	2	2		
		18	90803-MR7-000	SET RING, 30MM	4	4	4		
		19	90701-MR7-000	PIN, DOWEL, 9X14	16	16	16		
		20	90806-ML7-000	ORIFICE, FEEDER, 1.5	1	1	1		
		21	91309-ML7-003	O-RING, 9.6X2.6 (ARAI)	1	1	1		
		22	91313-393-003	O-RING, 7.8X2.2 (ARAI)	2	2	2		
		23	92700-06036-0E	BOLT, STUD, 6X35	4	4	4		
		24	93500-05008-0G	SCREW, PAN, 5X8	1	1	1		
		25	93500-05025-0G	SCREW, PAN, 5X25	4	4	4		

D 7

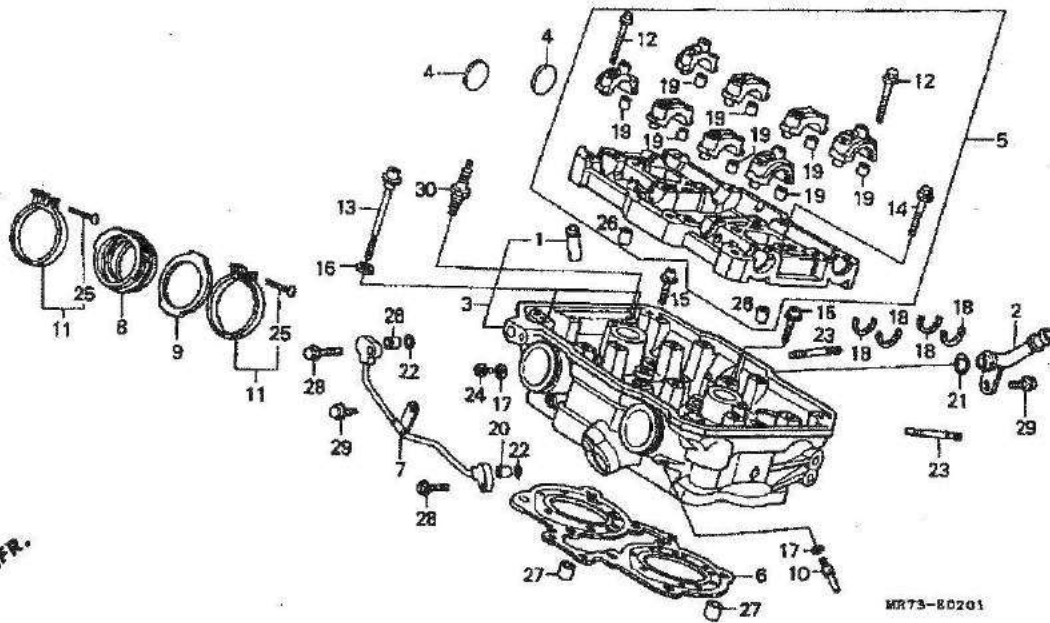
E-2-1

Cylinder head
(Rear)

Culasse
(Arrière)

Zylinderkopf
(Hinter)

Culata
(Trasero)



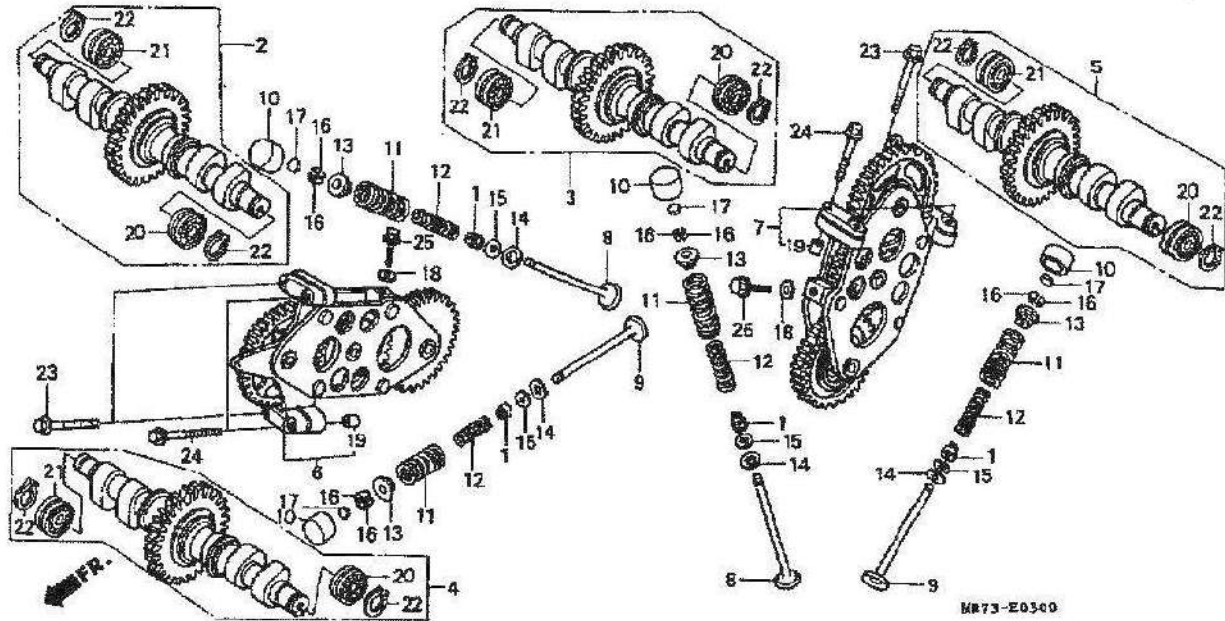
2

Service Item	F.R.T.	Ref. No.	Part No.	Description	Reqd. No. VFR760R	Serial No.	Area code
		26	94301-08140	PIN, DOWEL, 8X14	3	3	3
		27	94301-12200	PIN, DOWEL, 12X20	2	2	2
		28	95701-06022-07	BOLT, FLANGE, 6X22	2	2	2
		29	98001-06012-07	BOLT, FLANGE, 6X12	2	2	2
		30	98059-59916	PLUG, SPARK (CR9EH9)(NGK)	2	2	2
			98059-59926	PLUG, SPARK (U27FE9)(ND)	2	2	2
			98059-58910	PLUG, SPARK (C8EH9)(NGK)	(2)	(2)	(2)
			98059-58920	PLUG, SPARK (U24FE9)(ND)	(2)	(2)	(2)

D 8

E-3

Camshaft • Valve
Arbre à cames • Soupape
Nockenwelle • Ventil
Arbol de levas • Válvula



2

Service item	F.R.T.	Ref. No.	Part No.	Description	Regr. No. VFR75DR	Serial No.	Area code
CAMSHAFT COMP., FR.	1.7	1	12209-ML0-722	SEAL, VALVE STEM (ARAI)	16	16	16
(ADD 0.5 FOR EACH.)		2	14110-MR7-000	CAMSHAFT COMP., FR. IN.	1	1	1
CAMSHAFT COMP., RR.	1.3	3	14120-MR7-000	CAMSHAFT COMP., RR. IN.	1	1	1
(ADD 0.5 FOR EACH.)		4	14130-MR7-000	CAMSHAFT COMP., FR. EX.	1	1	1
GEAR TRAIN COMP., FR.	2.3	5	14140-MR7-000	CAMSHAFT COMP., RR. EX.	1	1	1
GEAR TRAIN COMP., RR.	1.9						
VALVE	4.5	6	14410-MR7-000	GEAR TRAIN COMP., FR.			
(ADD 0.2 FOR EACH.)				14410-MR7-010	1	-	2001274
(INC. REFACING)			14410-MR7-010	GEAR TRAIN COMP., FR.	1	-	2001275 2001949
(EXC. VALVE GUIDE REPLACEMENT)							
SPRING, VALVE	4.3						
(ADD 0.1 FOR EACH.)							
(INC. RELATIVE PART)							

D 9

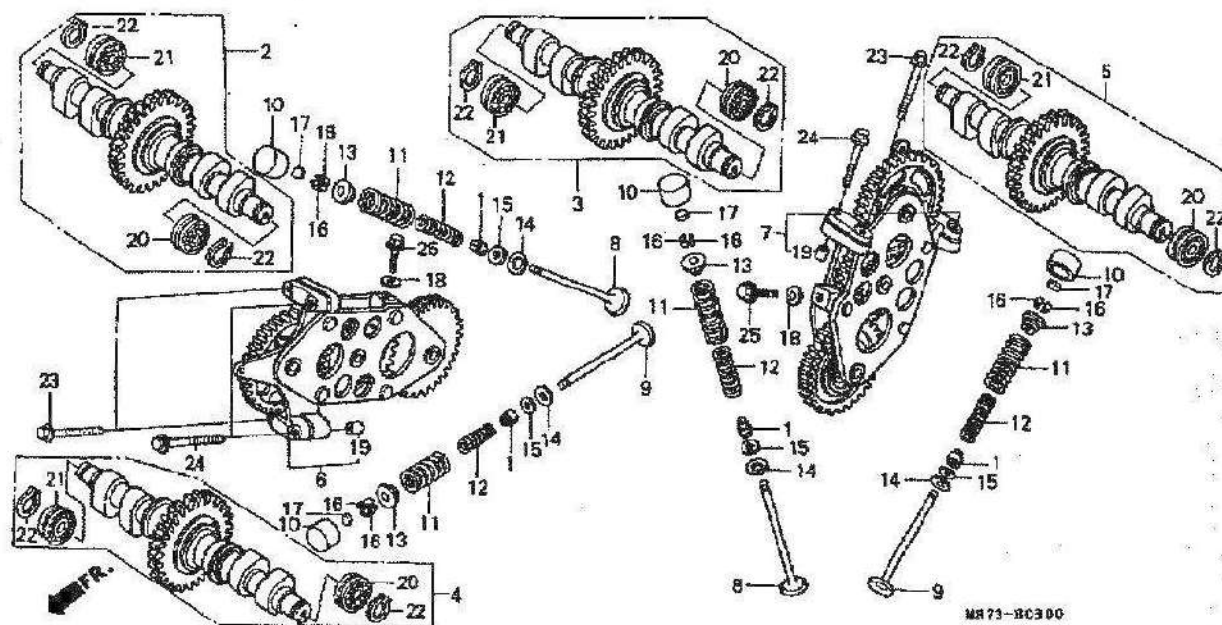
E-3

Camshaft • Valve

Arbre à cames • Soupape

Nockenwelle • Ventil

Arbol de levas • Válvula



2

Service item	F.R.T.	Ref. No.	Part No.	Description	Reqd. No. VFR750R K	Serial No.	Area code
		(6)	14410-MR7-020	GEAR TRAIN COMP., FR.	1 - -	2001950	
		7	14420-MR7-000	GEAR TRAIN COMP., RR.	1 - -	2001274	2001274
			14420-MR7-010	GEAR TRAIN COMP., RR.	1 - -	2001275	2001949
			14420-MR7-020	GEAR TRAIN COMP., RR.	1 - -	2001950	
		8	14711-MR7-000	VALVE, IN.	8 8 8		
		9	14721-MR7-000	VALVE, EX.	8 8 8		
		10	14731-MR7-000	LIFTER, VALVE	16 16 16		
		11	14751-MR7-003	SPRING, VALVE OUTER (NIPPONHATSUJO)	16 16 16		
		12	14761-MR7-003	SPRING, VALVE INNER (NIPPONHATSUJO)	16 16 16		

D 10

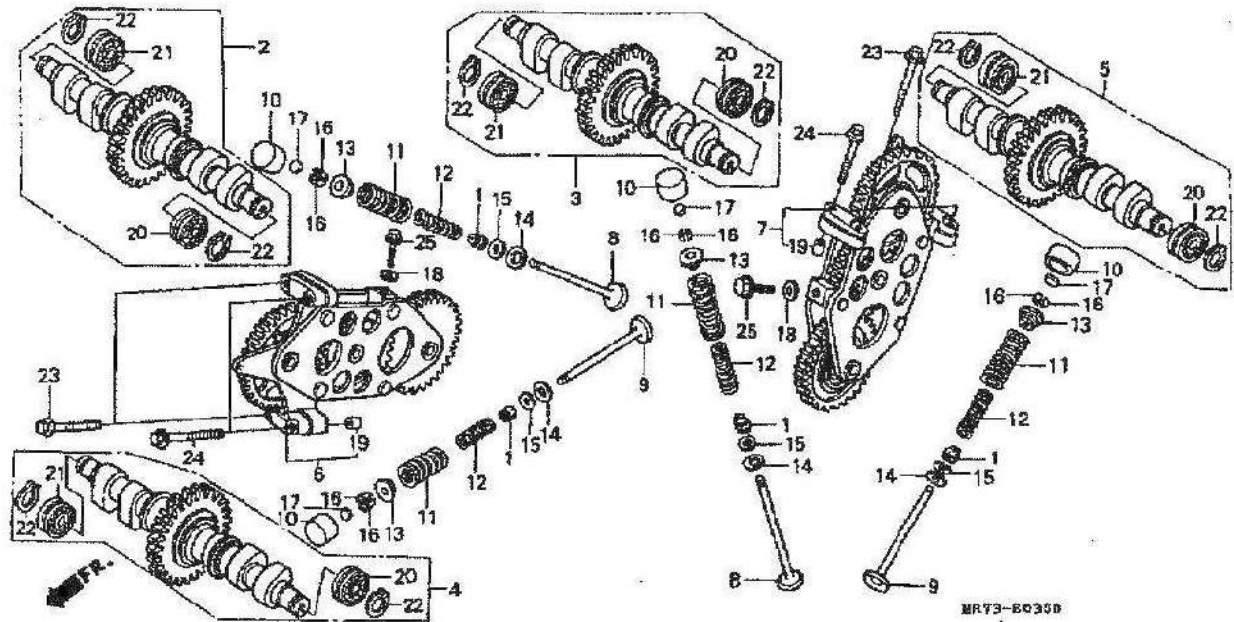
E-3

Camshaft • Valve

Arbre à cames • Soupape

Nockenwelle • Ventil

Arbol de levas • Válvula



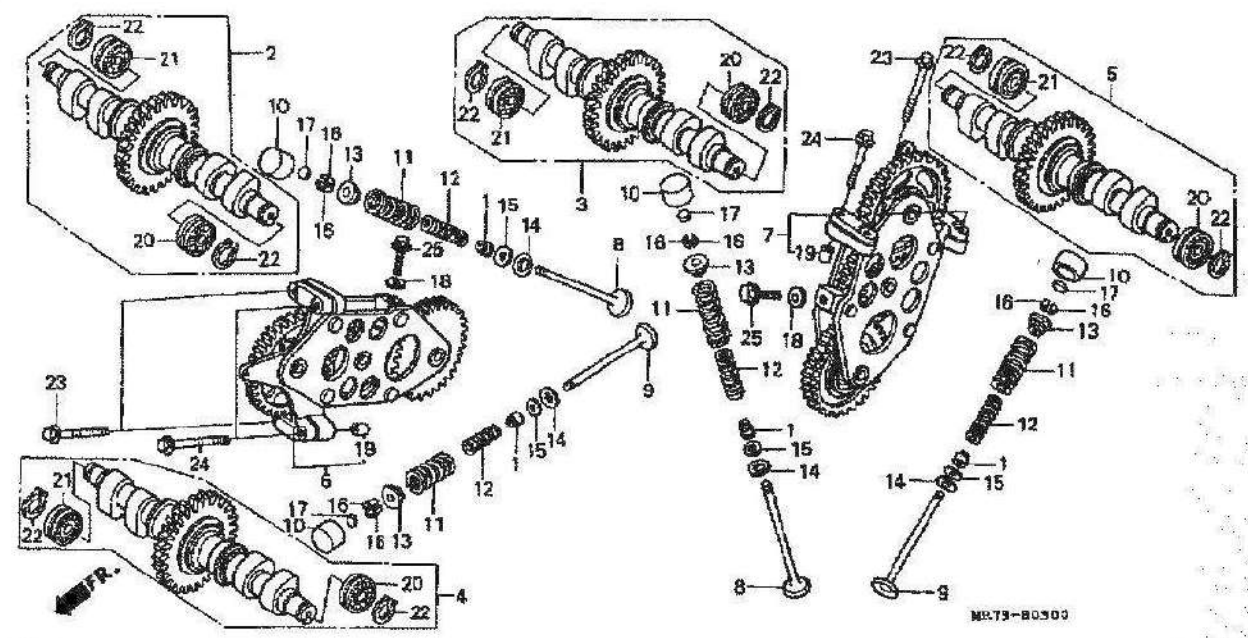
2

Service item	F.R.T.	Ref. No.	Part No.	Description	Repl. No. VFR750R	Serial No.	Area code
		13	14771-MR7-000	RETAINER, VALVE SPRING	16 18 16		
		14	14775-MR7-000	SEAT, VALVE SPRING OUTER	16 16 16		
		16	14777-MR7-000	SEAT, VALVE SPRING INNER	16 16 16		
		16	14781-ML0-720	COTTER, VALVE	32 32 32		
		17	14901-KT7-000	SHIM, TAPPET (1.200)	16 16 16		
			14902-KT7-000	SHIM, TAPPET (1.225)	16 16 16		
			14903-KT7-000	SHIM, TAPPET (1.250)	16 16 16		
			14904-KT7-000	SHIM, TAPPET (1.275)	16 16 16		
			14905-KT7-000	SHIM, TAPPET (1.300)	16 16 16		
			14906-KT7-000	SHIM, TAPPET (1.325)	16 16 16		

D 11

E-3

Camshaft • Valve
 Arbre à cames • Soupape
 Nockenwelle • Ventil
 Arbol de levas • Válvula



2

Service Item	F.R.T.	Ref. No.	Part No.	Description	Reqt. No. VFR750R K L	Serial No.	Area code
		17)	14907-KT7-000	SHIM, TAPPET [1.350]	16 16 16		
			14908-KT7-000	SHIM, TAPPET [1.375]	16 16 16		
			14909-KT7-000	SHIM, TAPPET [1.400]	16 16 16		
			14910-KT7-000	SHIM, TAPPET [1.425]	16 16 16		
			14911-KT7-000	SHIM, TAPPET [1.450]	16 16 16		
			14912-KT7-000	SHIM, TAPPET [1.475]	16 16 16		
			14913-KT7-000	SHIM, TAPPET [1.500]	16 16 16		
			14914-KT7-000	SHIM, TAPPET [1.525]	16 16 16		
			14915-KT7-000	SHIM, TAPPET [1.550]	16 16 16		

D 12

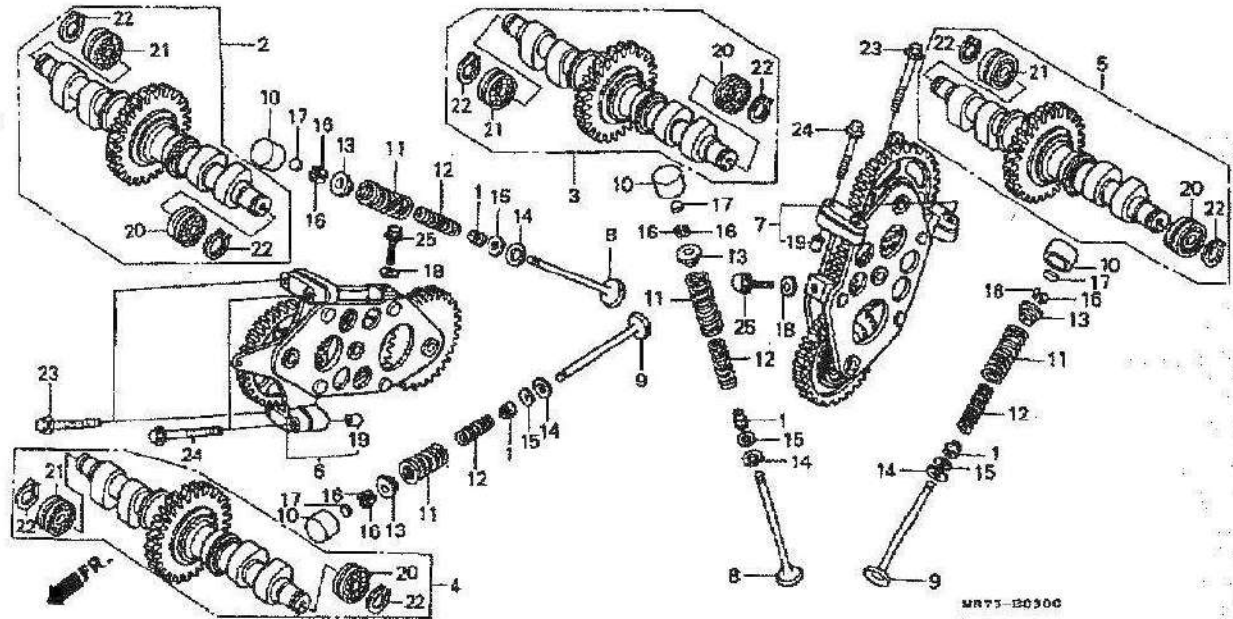
E-3

Camshaft • Valve

Arbre à cames • Soupape

Nockenwelle • Ventil

Arbol de levas • Válvula



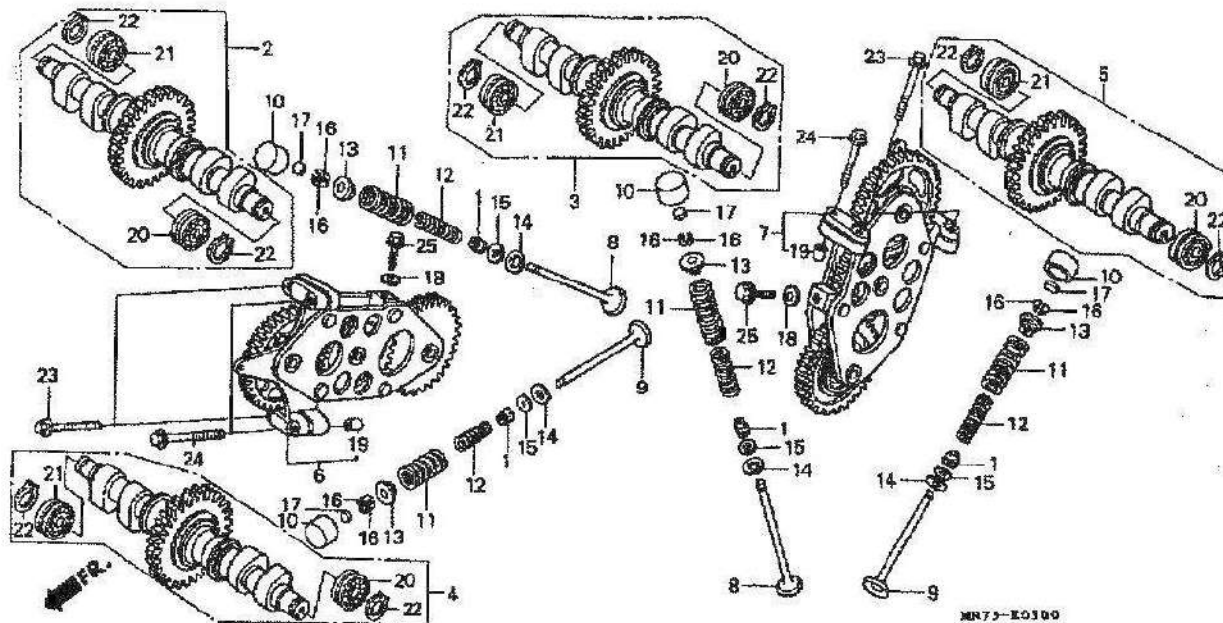
2

Service item	F.R.T.	Ref. No.	Part No.	Description	Reqd. No.	Serial No.	Area code
		17)	14916-KT7-000	SHIM, TAPPET (1.575)	16 16 16		
			14917-KT7-000	SHIM, TAPPET (1.600)	16 16 16		
			14918-KT7-000	SHIM, TAPPET (1.625)	16 16 16		
			14919-KT7-000	SHIM, TAPPET (1.650)	16 16 16		
			14920-KT7-000	SHIM, TAPPET (1.675)	16 16 16		
			14921-KT7-000	SHIM, TAPPET (1.700)	16 16 16		
			14922-KT7-000	SHIM, TAPPET (1.725)	16 16 16		
			14923-KT7-000	SHIM, TAPPET (1.750)	16 16 16		
			14924-KT7-000	SHIM, TAPPET (1.775)	16 16 16		

D 13

E-3

Camshaft • Valve
 Arbre à cames • Soupape
 Nockenwelle • Ventil
 Arbol de levas • Válvula



2

Service item	F.R.T.	Ref. No.	Part No.	Description	Reqd. No. VER750A	Serial No.	Area code
		17)	14925-KT7-000	SHIM, TAPPET (1.800)	16 16 16		
			14926-KT7-000	SHIM, TAPPET (1.825)	16 16 16		
			14927-KT7-000	SHIM, TAPPET (1.850)	16 16 16		
			14928-KT7-000	SHIM, TAPPET (1.875)	16 16 16		
			14929-KT7-000	SHIM, TAPPET (1.900)	16 16 16		
			14930-KT7-000	SHIM, TAPPET (1.925)	16 16 16		
			14931-KT7-000	SHIM, TAPPET (1.950)	16 16 16		
			14932-KT7-000	SHIM, TAPPET (1.975)	16 16 16		
			14933-KT7-000	SHIM, TAPPET (2.000)	16 16 16		

D 14

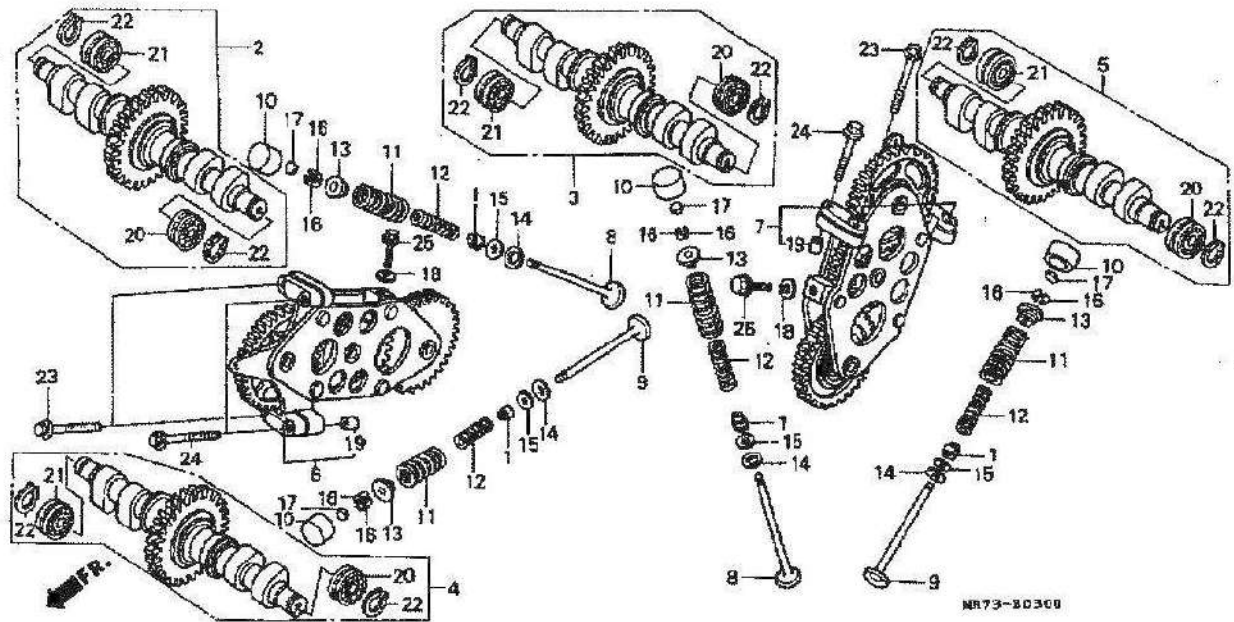
E-3

Camshaft • Valve

Arbre à cames • Soupape

Nockenwelle • Ventil

Arbol de levas • Válvula



2

Service item	F.R.T.	Ref. No.	Part No.	Description	Reqd. No. VFR75DR K L	Serial No.	Area code
		17)	14934-KT7-000	SHIM, TAPPET (2.025)	16 16 16		
			14935-KT7-000	SHIM, TAPPET (2.050)	16 16 16		
			14936-KT7-000	SHIM, TAPPET (2.075)	16 16 16		
			14937-KT7-000	SHIM, TAPPET (2.100)	16 16 16		
			14938-KT7-000	SHIM, TAPPET (2.125)	16 16 16		
			14939-KT7-000	SHIM, TAPPET (2.150)	16 16 16		
			14940-KT7-000	SHIM, TAPPET (2.175)	16 16 16		
			14941-KT7-000	SHIM, TAPPET (2.200)	16 16 16		
			14942-KT7-000	SHIM, TAPPET (2.225)	16 16 16		

D 15

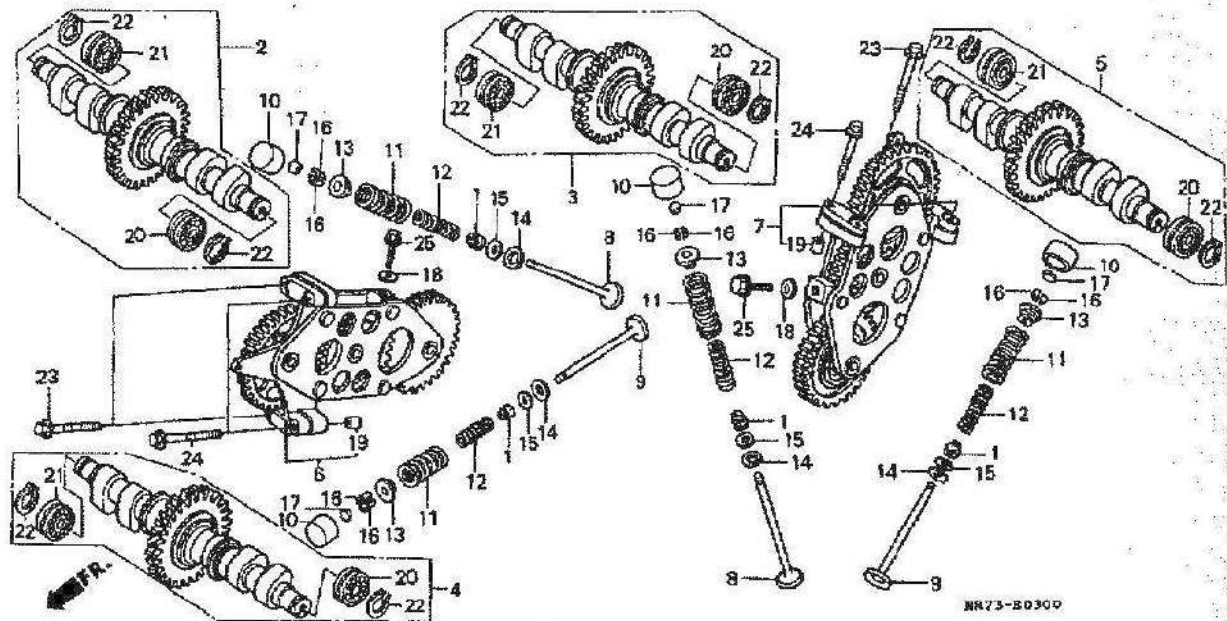
E-3

Camshaft • Valve

Arbre à cames • Soupape

Nockenwelle • Ventil

Arbol de levas • Válvula



2

Service item	F.R.T.	Ref. No.	Part No.	Description	Reqd. No. VFR750R	Serial No.	Area code
		17)	14943-KT7-000	SHIM, TAPPET (2.250)	16 15 16		
			14944-KT7-000	SHIM, TAPPET (2.275)	16 16 16		
			14945-KT7-000	SHIM, TAPPET (2.300)	16 16 16		
			14946-KT7-000	SHIM, TAPPET (2.325)	16 15 16		
			14947-KT7-000	SHIM, TAPPET (2.350)	16 18 16		
			14948-KT7-000	SHIM, TAPPET (2.375)	16 16 16		
			14949-KT7-000	SHIM, TAPPET (2.400)	16 18 16		
			14950-KT7-000	SHIM, TAPPET (2.425)	16 18 16		
			14951-KT7-000	SHIM, TAPPET (2.450)	16 15 16		

D 16

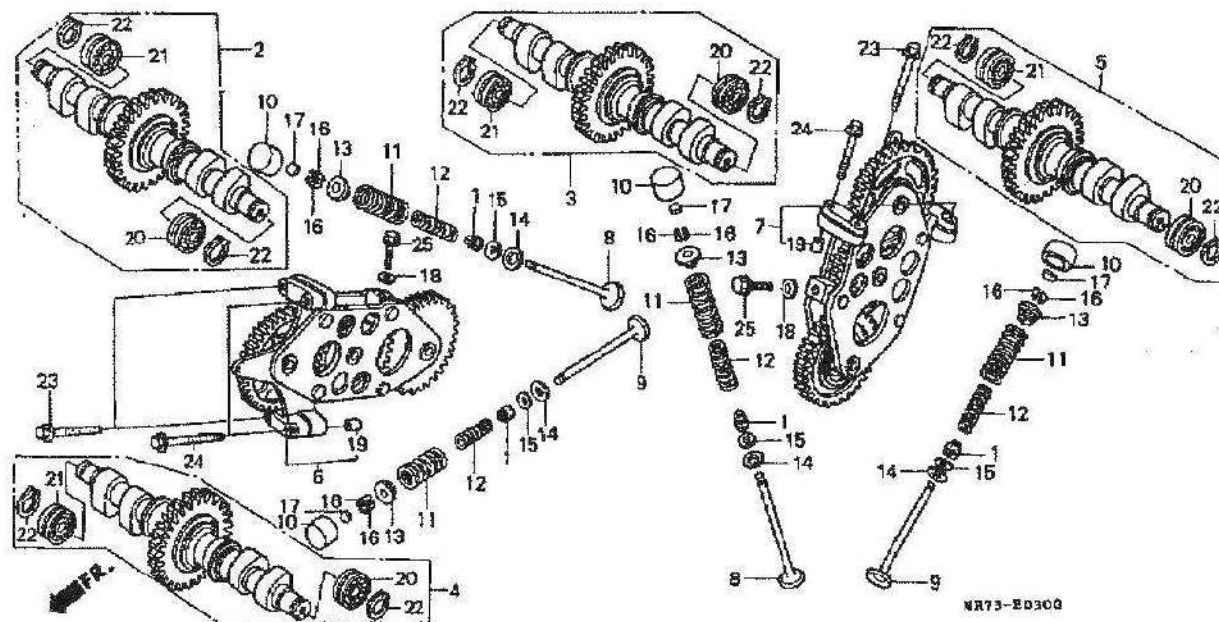
E-3

Camshaft • Valve

Arbre à cames • Soupape

Nockenwelle • Ventil

Arbol de levas • Válvula



2

Service item	F.R.T.	Rel. No.	Part No.	Description	Reqd. No. VFR7603	Serial No.	Area code
		171	14952-KT7-000	SHIM, TAPPET (2.475)	16	16	16
			14953-KT7-000	SHIM, TAPPET (2.500)	16	16	16
			14954-KT7-000	SHIM, TAPPET (2.525)	16	16	16
			14955-KT7-000	SHIM, TAPPET (2.550)	16	16	16
			14956-KT7-000	SHIM, TAPPET (2.575)	16	16	16
			14957-KT7-000	SHIM, TAPPET (2.600)	16	16	16
			14958-KT7-000	SHIM, TAPPET (2.625)	16	16	16
			14959-KT7-000	SHIM, TAPPET (2.650)	16	16	16
			14960-KT7-000	SHIM, TAPPET (2.675)	16	16	16

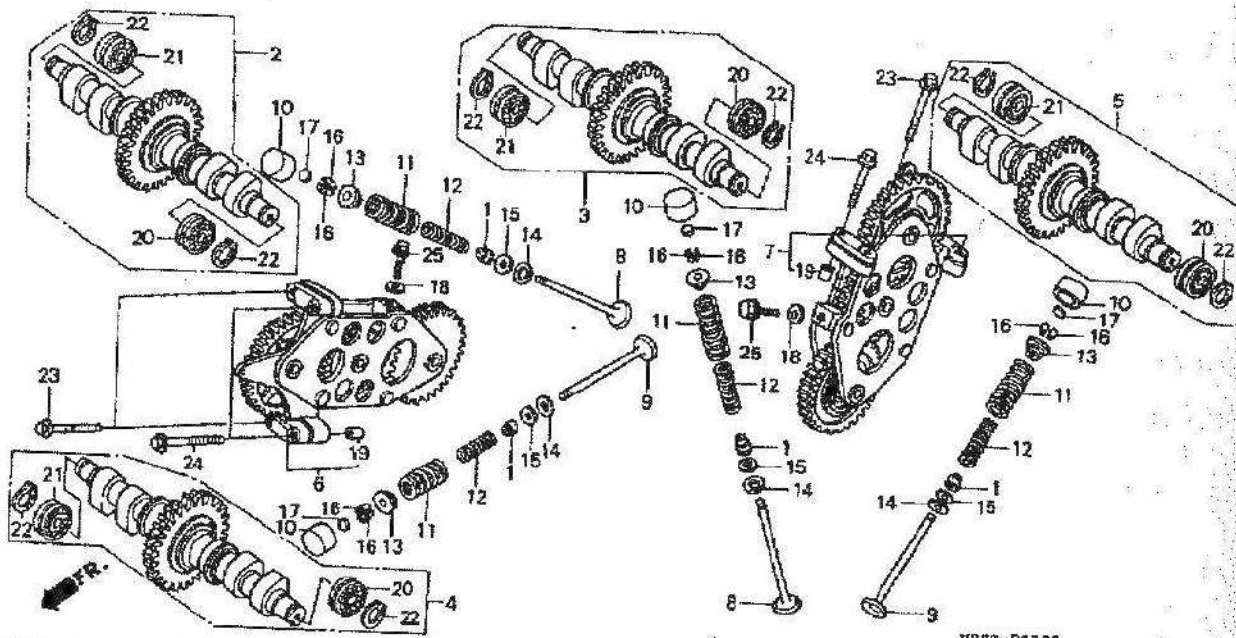
E-3

Camshaft • Valve

Arbre à cames • Soupape

Nockenwelle • Ventil

Arbol de levas • Válvula



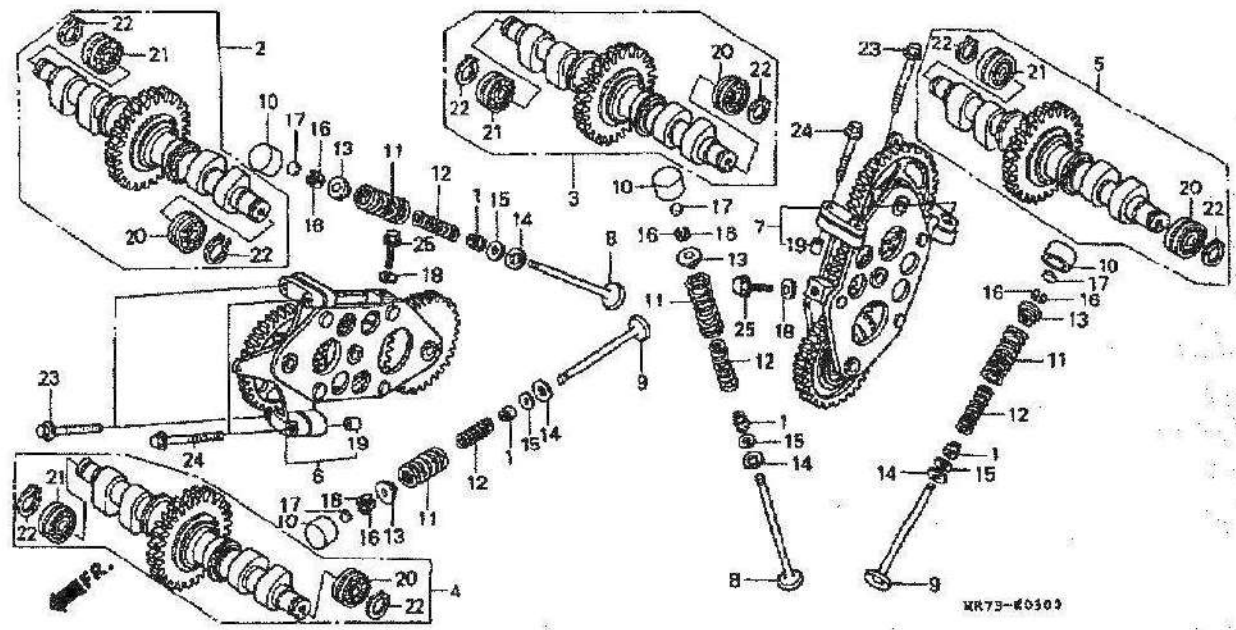
MR73-EE300

Service item	F.R.T.	Ref. No.	Part No.	Description	Reqd. No. VFR750R	Serial No.	Area code
		17)	14961-KT7-000	SHIM, TAPPET (2.700)	16	16	16
			14962-KT7-000	SHIM, TAPPET (2.725)	16	16	16
			14963-KT7-000	SHIM, TAPPET (2.750)	16	16	16
			14964-KT7-000	SHIM, TAPPET (2.775)	16	16	16
			14965-KT7-000	SHIM, TAPPET (2.800)	16	16	16
		18	90441-ME9-000	WASHER, SEALING, 8MM	2	2	2
		19	80702-GB6-910	PIN, DOWEL, 8X12	4	4	4
		20	91002-MR7-004	BEARING SET, RADIAL BALL, 6903	4	4	4
		21	91003-MR7-004	BEARING, RADIAL BALL, 6903U	4	4	4
		22	9451D-17000	CIRCLIP, EXTERNAL, 17MM	8	8	8
		23	95701-06Q32-08	BOLT, FLANGE, 6X32	4	4	4
		24	95701-06Q40-08	BOLT, FLANGE, 6X40	4	4	4

E 2

E-3

Camshaft • Valve
 Arbre à cames • Soupape
 Nockenwelle • Ventil
 Arbol de levas • Válvula



2

Service item	F.R.T.	Ref. No.	Part No.	Description	Req. No. VFR750R K L	Serial No.	Area code
		25	95701-08022-07	BOLT, FLANGE, 8X22	2 2 2		

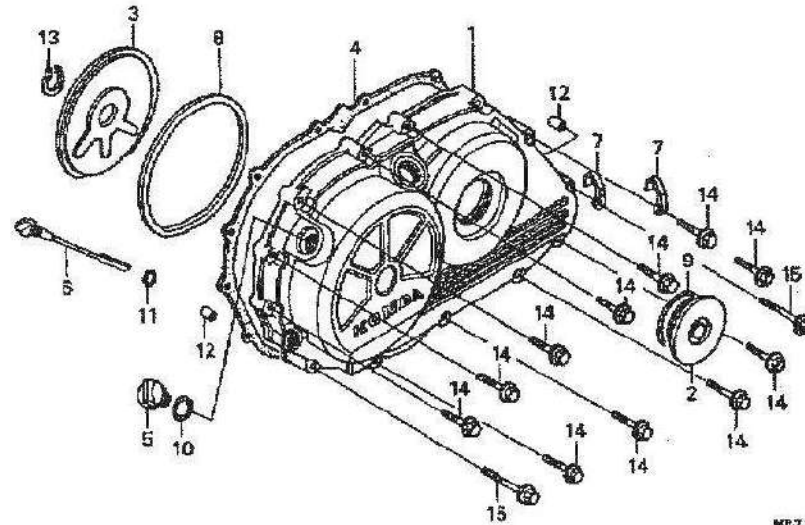
E-4

Right crankcase cover

**Couvercle de carter
moteur droit**

**Rechter
Kubelgehäusedeckel**

**Cubierta de cárter de
motor derecha**



MR73-20400

2

Service Item	F.R.T.	Ref. No.	Part No.	Description	Head. No. VFR750R	Serial No.	Area code
COVER, R. CRANKCASE	0.7	1	11331-MR7-000	COVER, R. CRANKCASE	1	1	1
GASKET, R. CRANKCASE COVER		2	11332-ML7-000	CAP, 45MM	1	1	1
		3	11333-MR7-000	PLATE, R. COVER	1	1	1
		4	11394-ML7-000	GASKET, R. COVER	1	1	1
					1	-	-
			11394-MR7-730	GASKET, R. CRANKCASE COVER	-	1	-
					1	1	-
		5	15611-MB0-000	CAP, OIL FILLER	-	1	-
					1	1	1
		6	15650-ML7-000	GAUGE, OIL LEVEL	1	1	1
		7	35211-443-780	CLAMP, SWITCH CORD	2	2	2
		8	91262-429-000	O-RING, 116X2	1	1	1
		9	91301-ML7-003	O-RING, 48.1X3.6 (ARAI)	1	1	1
		10	91301-250-000	O-RING, 21.5MM	1	1	1
							AR,B,CM,E,ED,F,FI,G,H,IT N,NZ,SP,U
							SW
						2100970	SW
							SD
						2100971	SW

E 4

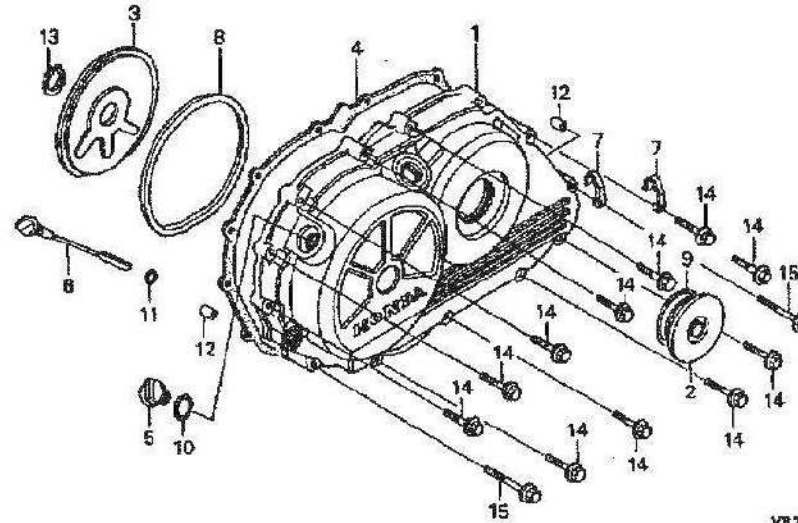
E-4

Right crankcase cover

**Couvercle de carter
moteur droit**

**Rechter
Kubelgehäusedeckel**

**Cubierta de cárter de
motor derecha**



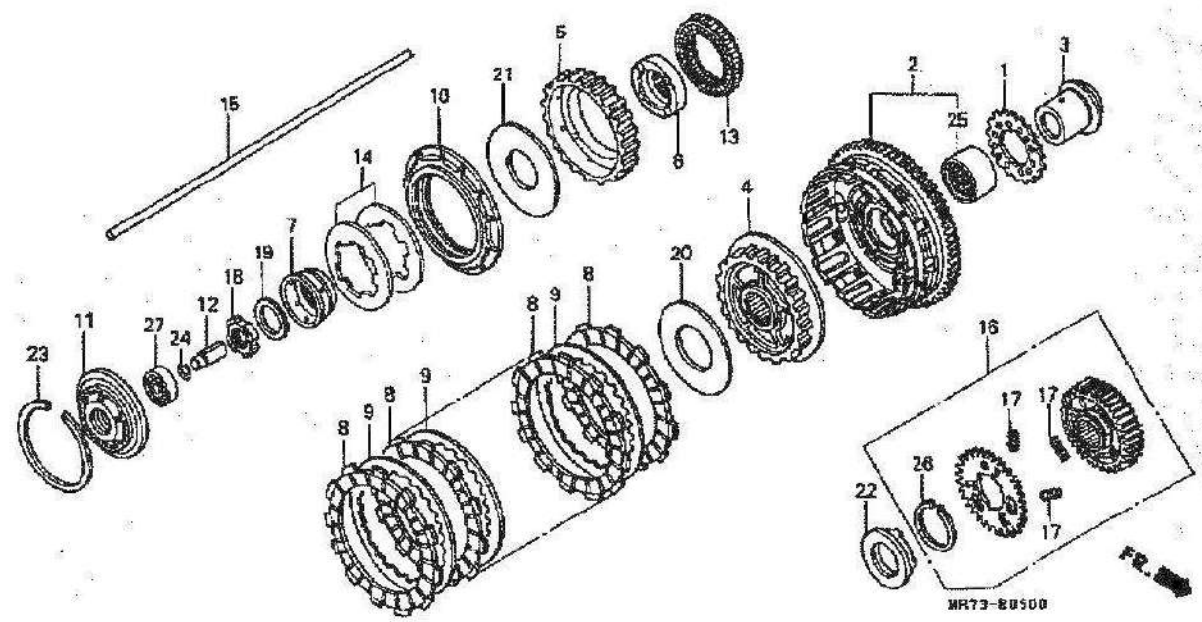
MR73-20400

Service item	F.R.T.	Ref. No.	Part No.	Description	Head. No. VFR75DR	Serial No.	Area code
		11	91316-MJ8-003	O-RING, 8.4X2.4	1 1 1		
		12	94301-08140	PIN, DOWEL, 8X14	2 2 2		
		13	94510-12000	CIRCLIP, EXTERNAL, 12MM	1 1 1		
		14	96001-08028-07	BOLT, FLANGE, 6X28	11 11 11		
		16	96001-08032-07	BOLT, FLANGE, 6X32	2 2 2		

E 5

E-5

**Clutch
Embrayage
Kupplung
Embrague**



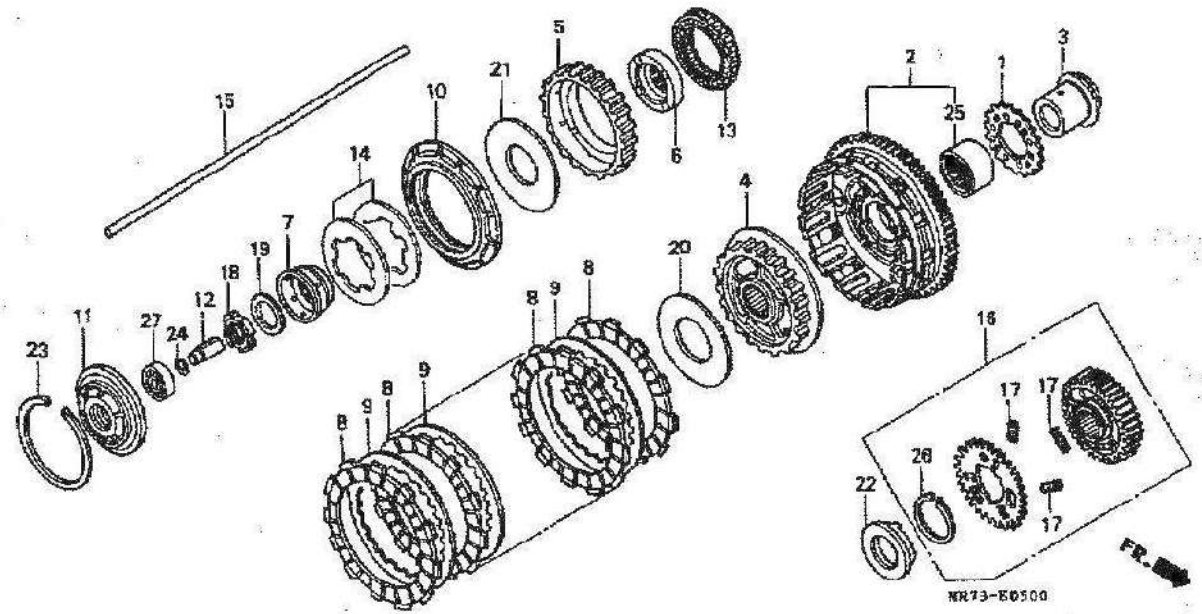
2

Service item	F.R.T.	Ref. No.	Part No.	Description	Reqd. No. VFR760R	Serial No.	Area code
SPROCKET COMP., OIL PUMP DRIVE	1.1	1	15131-MR7-000	SPROCKET COMP., OIL PUMP DRIVE	1 1 1		
OUTER COMP., CLUTCH		2	22100-MR7-000	OUTER COMP., CLUTCH	1 1 1		
CENTER A. CLUTCH	0.9	3	22116-MR7-000	GUIDE, CLUTCH OUTER	1 1 1		
CENTER B. CLUTCH		4	22120-MR7-000	CENTER A. CLUTCH	1 1 1		
DISK, CLUTCH FRICTION		5	22131-MR7-000	CENTER B. CLUTCH	1 1 1		
(INC. RELATIVE PART)							
(ONE OR ALL)							
CLUTCH, ONE WAY		8	22141-MR7-000	INNER, ONE WAY CLUTCH	1 1 1		
SPRING, CLUTCH		7	22151-MR7-000	PLATE, SPRING SETTING	1 1 1		
GEAR ASSY., PRIMARY DRIVE		8	22201-MR7-000	DISK, CLUTCH FRICTION	10 10 10		
(INC. RELATIVE PART)							
PLATE, CLUTCH LIFTER	0.7	9	22321-MR7-000	PLATE, CLUTCH	9 9 9		
ROD, CLUTCH LIFTER	0.3	10	22351-MR7-000	PLATE, CLUTCH PRESSURE	1 1 1		
		11	22353-MR7-000	PLATE, CLUTCH LIFTER	1 1 1		
		12	22365-MR7-000	PIECE, CLUTCH JOINT	1 1 1		

E 6

E-5

Clutch
Embrayage
Kupplung
Embrague



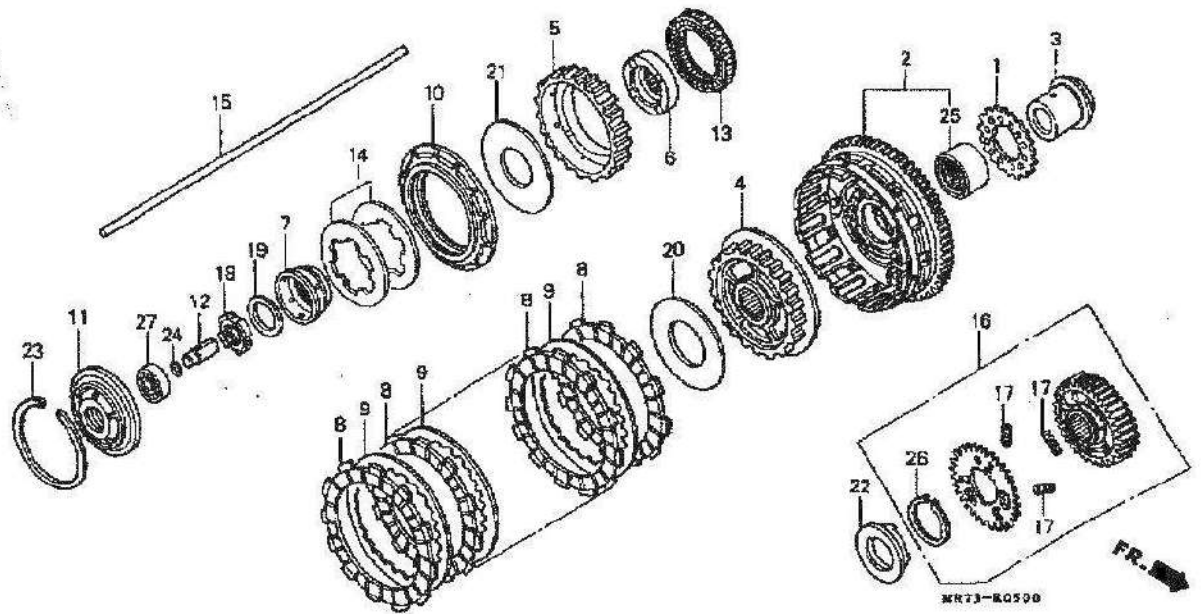
2

Service Item	F.R.T.	Ref. No.	Part No.	Description	Reqd. No. VFA750R K	Serial No.	Area code
		13	22425-MJ0-941	CLUTCH, ONE WAY (NIPPON SEIKO)	1 1 1		
		14	22441-MR7-000	SPRING, CLUTCH	1 1 1		
		15	22650-MR7-010	ROD, CLUTCH LIFTER	1 1 1		
		16	23110-MR7-000	GEAR ASSY., PRIMARY DRIVE	1 1 1		
		17	23115-MG8-300	SPRING, PRIMARY DAMPER	3 3 3		
		18	90231-MK7-670	NUT, LOCK, 22MM	1 1 1		
		19	90432-MB0-010	WASHER, SPRING, 22MM	1 1 1		
		20	90461-MR7-000	WASHER, 44X32X1.6	1 1 1		
		21	90466-MR7-000	WASHER, 44X81X3	1 1 1		
		22	90509-MR7-000	GUIDE, PRIMARY DRIVE GEAR	1 1 1		
		23	90601-MR7-000	CIRCLIP, INTERNAL, 85	1 1 1		
		24	90605-ME5-000	CLIP, 11MM	1 1 1		

E 7

E-5

Clutch
 Embrayage
 Kupplung
 Embrague



2

Service Item	F.R.T.	Ref. No.	Part No.	Description	Recd. No. VFR75DR J E 1	Serial No.	Area code
		25	91024-MB0-003	BEARING, NEEDLE, 35X42X30 (TOYO)	1	1	1
		26	94510-32000	CIRCLIP, EXTERNAL, 32MM	1	1	1
		27	96100-82010-00	BEARING, RADIAL BALL, 6201	1	1	1

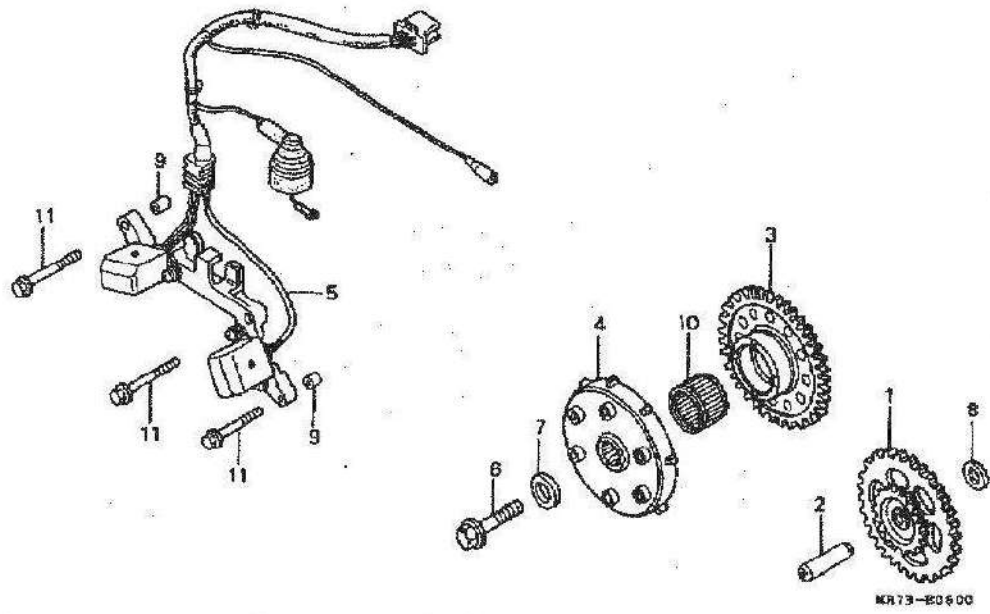
E-6

Pulse generator *
Starting clutch

Générateur d'impulsions *
Enbrayage de démarrage

Impulgeber *
Anlasserkupplung

Generator deimpulso *
Embrage de arranque



2

Service Item	F.R.T.	Ref. No.	Part No.	Description	Reqd. No.			Serial No.	Area code
					VPR75AR	K	L		
GEAR, STARTER REDUCTION	0.8	1	28101-MR7-000	GEAR, STARTER REDUCTION	1	1	1		
GEAR COMP., STARTING CLUTCH	0.9			(83T/21T)					
OUTER ASSY., STARTING CLUTCH		2	28102-ML7-000	PIN, 10X36.5	1	1	1		
GENERATOR ASSY., PULSE	1.1	3	28110-MR7-000	GEAR COMP., STARTING CLUTCH					
				(48T)					
		4	28120-MR7-003	OUTER ASSY., STARTING CLUTCH	1	1	1		AR,B,CM,E,ED,F,FI,G,H,IT
			28120-MR7-690	OUTER ASSY., STARTING CLUTCH	1	1			N,NZ,SD,SP,U
		5	30300-MR7-164	GENERATOR ASSY., PULSE	1	1	1		SW
		6	90023-MA6-000	BOLT, FLANGE, 12X 45	1	1	1		
		7	90401-KK9-960	WASHER, 12X30X4.5	1	1	1		
		8	90405-ML7-000	WASHER, 18X 10.2	1	1	1		
		9	90702-MB0-000	PIN, DOWEL, 8X8	2	2	2		
		10	91022-MB0-003	BEARING, NEEDLE, 30X35X 17	1	1	1		

E 9

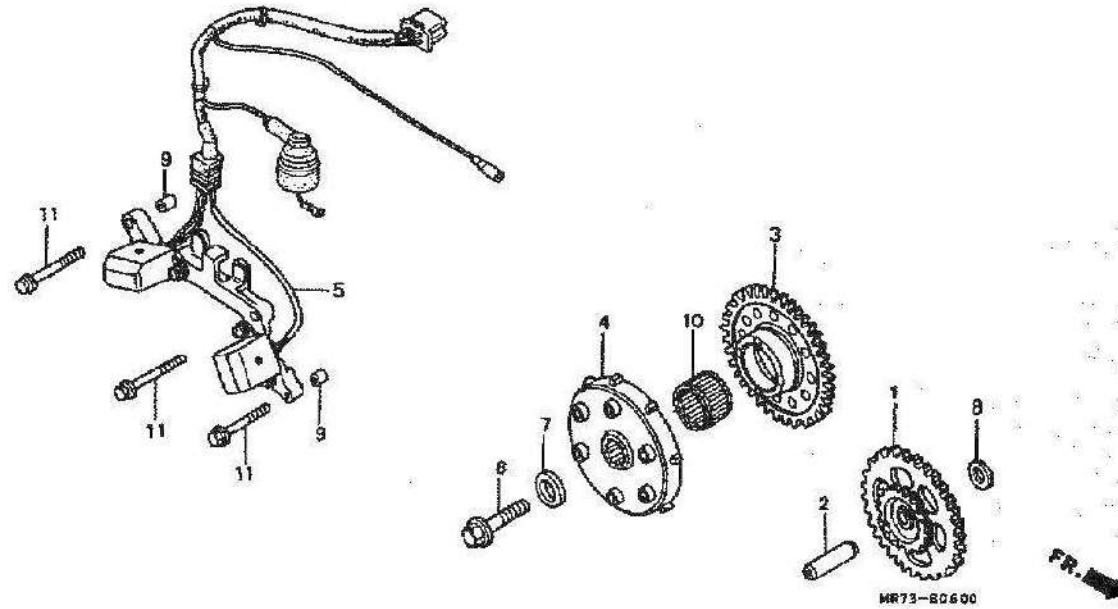
E-6

Pulse generator *
Starting clutch

Générateur d'impulsions *
Enbrayage de démarrage

Impulsgeber *
Anlasserkupplung

Generador de impulso *
Embrage de arranque



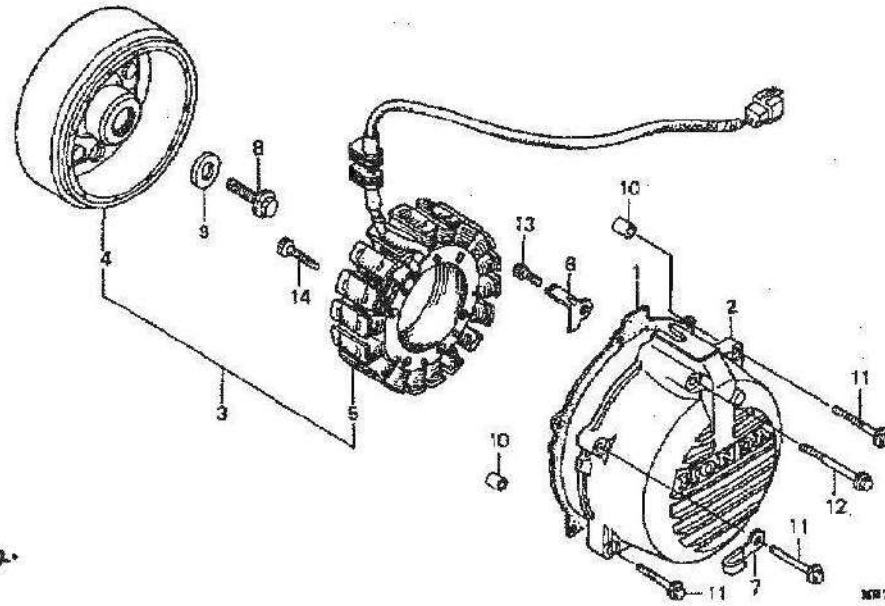
2

Service Item	F.R.T.	Ref. No.	Part No.	Description	Repl. No.			Serial No.	Area code
					VFR76QR	K	L		
		11	96001-06025-00	BOLT, FLANGE, 6X25	3	3	3		

E 10

E-7

Generator
 Générateur
 Lichtmaschine
 Generator



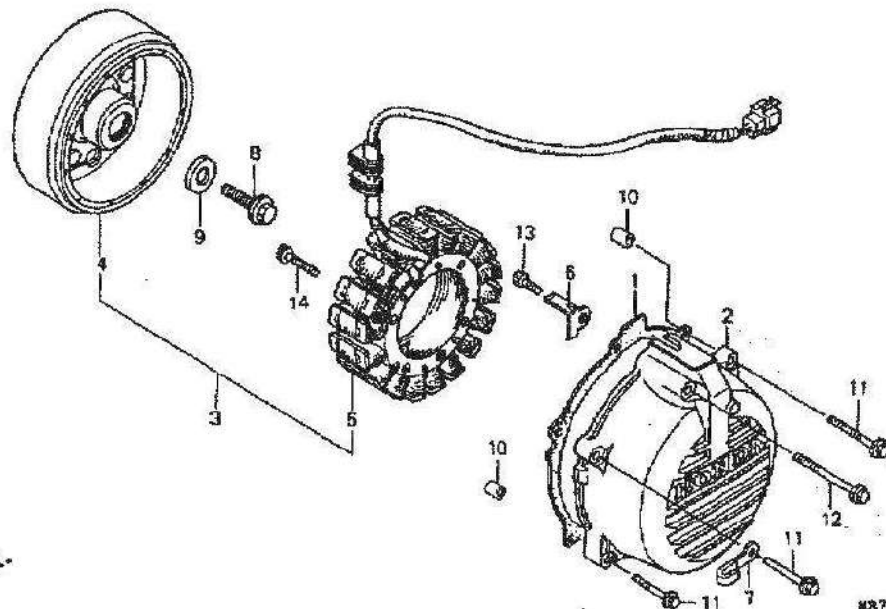
MR73-R0700

Service item	F.R.T.	Ref. No.	Part No.	Description	Reqd. No.		Serial No.	Area code
					VPR750R	K		
GASKET, A.C. GENERATOR COVER	0.6	1	11836-MR7-000	GASKET, A.C. GENERATOR COVER	1	1	AR,B,CM,E,ED,F,FI,G,H,IT
COVER, A.C. GENERATOR	0.6							N,NZ,SP,U
GENERATOR ASSY., FLYWHEEL TYPE					1	-	SW
A.C.	1.0				-	1	2100970	SW
FLYWHEEL COMP.	0.7		11836-MR7-780	GASKET, A.C. GENERATOR COVER	1	1	SO
STATOR COMP.	0.8				-	1	2100971	SW
		2	11841-MR7-000	COVER, A.C. GENERATOR	1	1	1	
		3	31100-MR7-014	GENERATOR ASSY., FLYWHEEL TYPE				
				A.C. (ND)	1	1	1	
		4	31110-MR7-004	FLYWHEEL COMP. (ND)	1	1	1	
		5	31120-MR7-014	STATOR COMP. (ND)	1	1	1	
		6	31131-MR7-000	CLAMPER, A.C. GENERATOR CORD	1	1	1	
		7	36211-443-760	CLAMP, SWITCH CORD	1	1	1	

E 11

E-7

Generator
Générateur
Lichtmaschine
Generador



← R.F.R.

NR73-E0700

2

Service item	F.R.T.	Ref. No.	Part No.	Description	Recd. No. VFR750R	Serial No.	Area code
		8	90003-MN4-000	BOLT, FLANGE, 10X35	1 1 1		
		9	90405-ML0-000	WASHER, 10X25X4	1 1 1		
		10	94301-08140	PIN, DOWEL, 8X14	2 2 2		
		11	96001-06028-07	BOLT, FLANGE, 6X28	5 5 5		
		12	96001-08050-07	BOLT, FLANGE, 6X50	1 1 1		
		13	96600-06010-00	BOLT, SOCKET, 6X10	1 1 1		
		14	96600-06032-00	BOLT, SOCKET, 6X32	4 - -	2002116	
			96600-06035-00	BOLT, SOCKET, 6X35	4 - -	2002117	
					- 4 4		

E 12

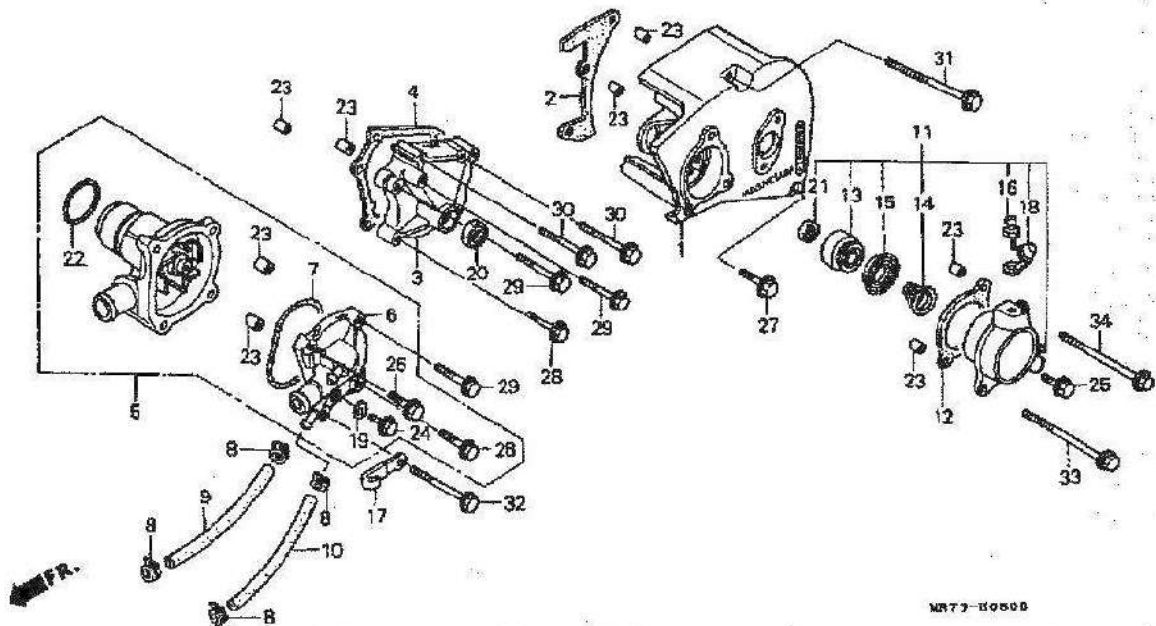
E-8

Left crankcase cover *
Water pump

Couvercle de carter-
moteur gauche *
Pompe à eau

Linken kurbelgehäuse-
eckel * Wasserpumpe

Cubierta de cárter de
motor izquierdo *
Bomba de agua



2

Service Item	F. R. T.	Ref. No.	Part No.	Description	Req. No. VFR750R	Serial No.	Area code
COVER, L. CRANKCASE	0.3	1	11341-MR7-000	COVER, L. CRANKCASE	1 1 1		
COVER COMP., CHANGE	1.4	2	11343-ML7-000	GASKET, L. COVER	1 1 1		AR,B,C,M,E,ED,F,FI,G,H,IT N,NZ,SP,U
GASKET, GEARSHIFT COVER	1.3						SW
OIL SEAL, 13X22X5					1 - -		SW
PUMP ASSY., WATER	0.9				- 1 -	2100970	SW
COVER, WATER PUMP	0.9		11343-MR7-780	GASKET, L. CRANKCASE COVER	1 1 -		SD
GASKET, WATER PUMP COVER	0.6				- 1 -	2100971	SW
HOSE B, WATER	0.4	3	11630-MR7-000	COVER COMP., CHANGE	1 1 1		
(ADD 0.1 FOR EACH.)		4	11632-ML7-000	GASKET, GEARSHIFT COVER	1 1 1		AR,B,C,M,E,ED,F,FI,G,H,IT N,NZ,SP,U
CYLINDER ASSY., CLUTCH SLAVE	0.5				1 - -		SW
PISTON, SLAVE CYLINDER	0.7				- 1 -	2100970	SW
(INC. RELATIVE PART)					- 1 -	2100971	SD
			11632-MR7-780	GASKET, GEARSHIFT COVER	1 1 -		SW
		5	19200-MR7-000	PUMP ASSY., WATER	1 1 1		

E 13

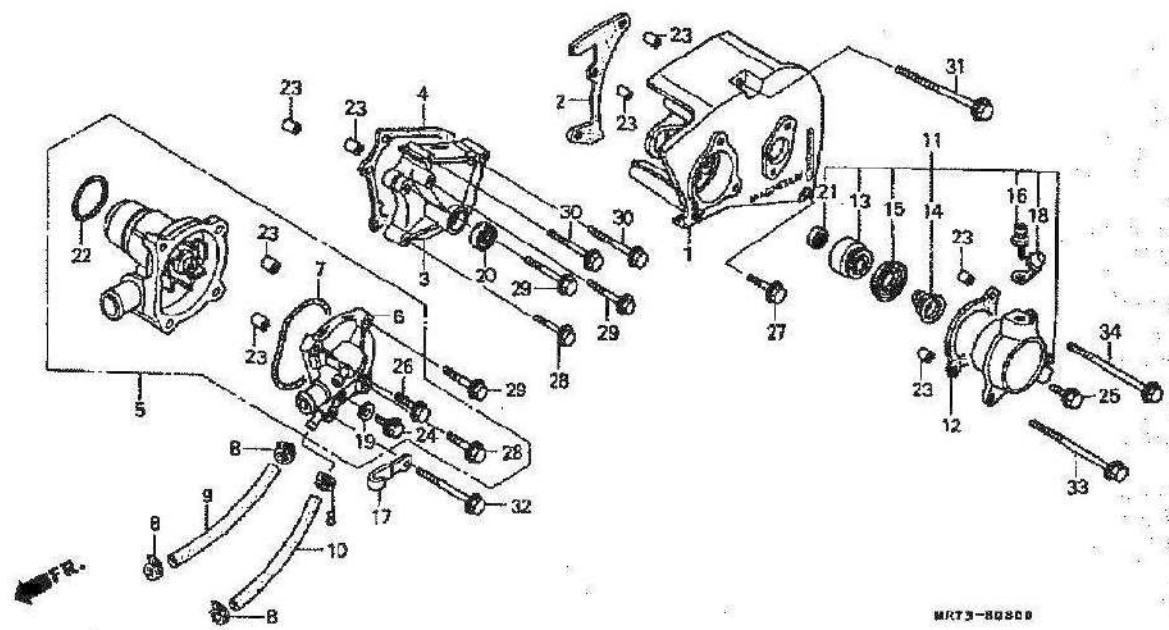
E-8

Left crankcase cover •
Water pump

Couvercle de carter-
moteur gauche •
Pompe à eau

Linken kurbelgehäuse-
eckel • Wasserpumpe

Cubierta de cárter de
motor izquierdo •
Bomba de agua



MRT3-80800

2

Service Item	F.R.T.	Ref. No.	Part No.	Description	Reqd. No.			Serial No.	Area code
					VPR750R	K			
		6	19221-MR7-000	COVER, WATER PUMP	1	1	1		
		7	19226-ML7-000	GASKET, WATER PUMP COVER	1	1	1		
		8	19607-MK 4-820	CLAMP, BREATHER HOSE	4	4	4		
		9	19626-MR7-000	HOSE B, WATER	1	1	1		
		10	19627-MR7-000	HOSE C, WATER	1	1	1		
		11	22860-ML7-000	CYLINDER ASSY., CLUTCH SLAVE	1	-	-		
			22860-ML7-010	CYLINDER ASSY., CLUTCH SLAVE	-	1	-	2100832	
					-	1	-	2100833	
		12	22862-KE7-000	GASKET, SLAVE CYLINDER	1	1	1		AR, B, CM, E, ED, F, FI, G, H, JT
					1	-	-		N, NZ, SP, U
					-	1	-		SW
					-	1	-	2100970	SW

E 14

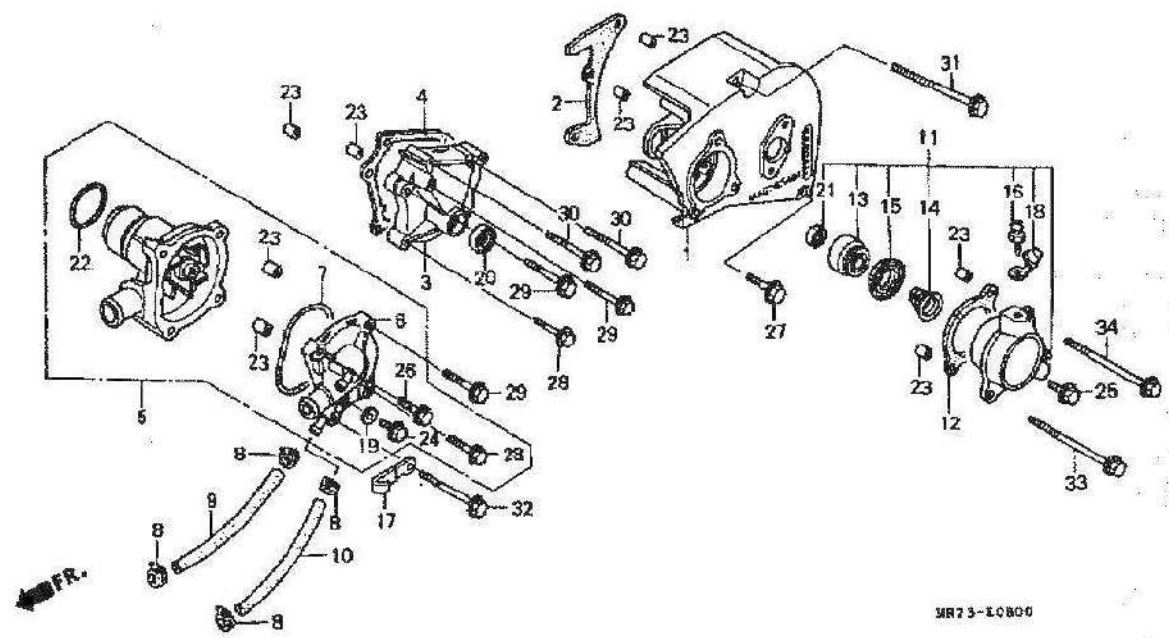
E-8

Left crankcase cover *
Water pump

Couvercle de carter-
moteur gauche *
Pompe à eau

Linken kurbelgehäused-
eckel * Wasserpumpe

Cubierta de cárter de
motor izquierdo *
Bomba de agua



MR73-10800

Service Item	F.R.T.	Ref. No.	Part No.	Description	Rec'd. No.			Serial No.	Area code
					V	K	L		
		12)	22882-MR7-780	GASKET, SLAVE CYLINDER	1	1	-	-----	SD
		13	22883-MJB-003	PISTON, SLAVE CYLINDER	-	1	-	2100971	SW
		14	22884-MB0-003	SPRING, SLAVE CYLINDER	1	1	1		
		15	22886-MJB-003	CUP, SLAVE CYLINDER	1	1	1		
		16	22886-MF2-711	SCREW, BLEEDER	1	1	1		
		17	35211-443-760	CLAMP, SWITCH CORD	1	1	1		
		18	43353-461-771	CAP, BLEEDER	1	1	1		
		19	90461-MF2-710	WASHER, SEALING, 6.5MM	1	1	1		
		20	91204-KE6-003	OIL SEAL, 13X22X5	1	1	1		
		21	91209-MB0-003	OIL SEAL, 8X18X6	1	1	1		
		22	91302-MB0-013	O-RING, 32.96X2.62 (ARA)	1	1	1		
		23	94301-08140	PIN, DOWEL, 8X14	8	8	8		

2

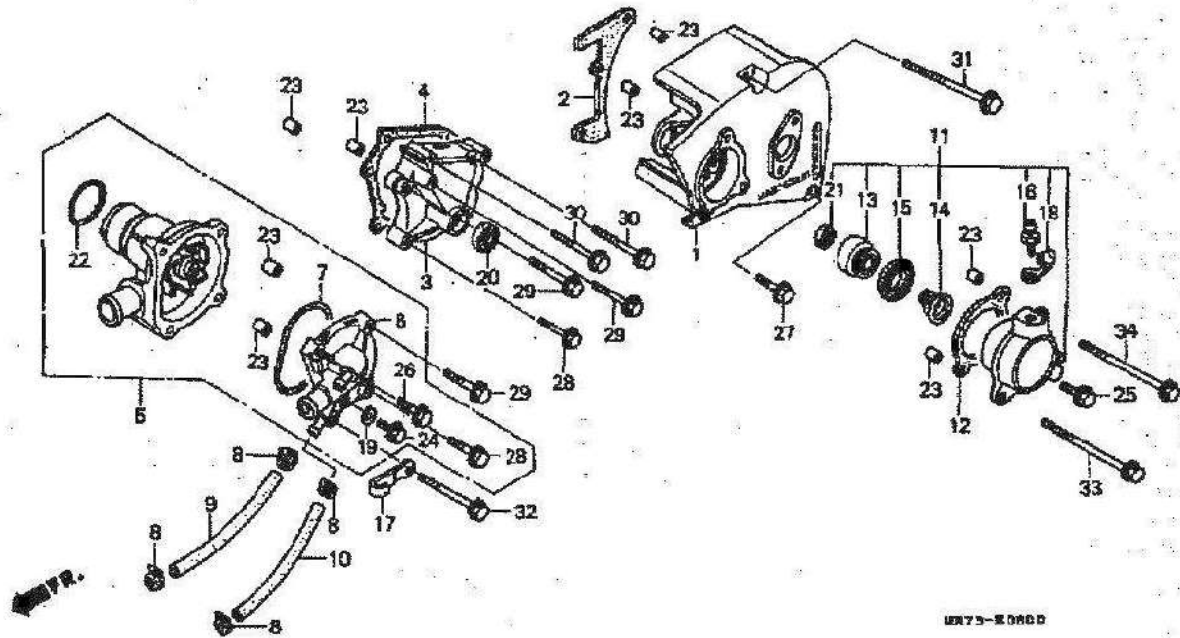
E-8

Left crankcase cover *
Water pump

Couvercle de carter-
moteur gauche *
Pompe à eau

Linken kurbelgehäused-
eckel * Wasserpumpe

Cubierta de cárter de
motor izquierdo *
Bomba de agua



Service item	F.R.T.	Ref. No.	Part No.	Description	Req. No.	Serial No.	Area code
		24	96701-08012-07	BOLT, FLANGE, 6X12	1	1	1
		25	96001-06020-07	BOLT, FLANGE, 6X20	1	1	1
		26	96001-06026-07	BOLT, FLANGE, 6X26	1	1	1
		27	96001-06028-07	BOLT, FLANGE, 6X28	1	1	1
		28	96001-06032-07	BOLT, FLANGE, 6X32	2	2	2
		29	96001-06040-07	BOLT, FLANGE, 6X40	3	3	3
		30	96001-06060-07	BOLT, FLANGE, 6X60	2	2	2
		31	96001-08065-07	BOLT, FLANGE, 6X65	1	1	1
		32	96001-08080-07	BOLT, FLANGE, 6X80	1	1	1
		33	96001-08090-07	BOLT, FLANGE, 6X90	1	1	1
		34	96001-08100-07	BOLT, FLANGE, 6X100	1	1	1

E 16

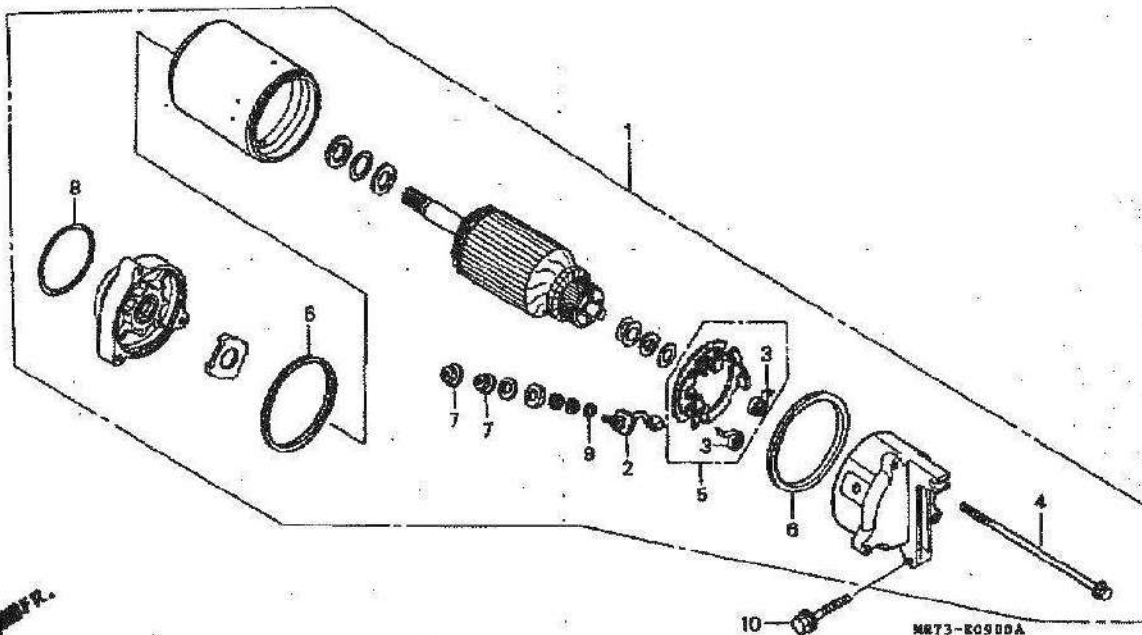
E-9

Starting motor

Moteur démarrage

Anlassermotor

Motor de arranque



2

Service item	F.R.T.	Ref. No.	Part No.	Description	Reqd. No. VFR750R	Serial No.	Area code
MOTOR ASSY., STARTING	0.8	1	31200-MR7-00B	MOTOR ASSY., STARTING	(MITSUBA) 1 - -		
BRUSH SET, TERMINAL	1.1				- 1 -	2101002	
HOLDER SET, BRUSH			31200-MR7-01B	MOTOR ASSY., STARTING	(MITSUBA) - 1 -	2101003	
		2	31201-KS5-901	BRUSH SET, TERMINAL	- - 1		
		3	31204-KS6-801	SPRING, CARBON BRUSH	1 1 1		
		4	31206-MR7-00B	BOLT, SETTING	2 2 2		
		5	31206-KW1-901	HOLDER SET, BRUSH	3 3 3		
		6	31207-KS5-901	RING	1 1 1		
		7	90071-MB0-000	NUT-WASHER, 6MM	2 2 2		
		8	91309-MA6-000	O-RING	1 1 1		
		9	91320-MB0-000	O-RING	1 1 1		
		10	95001-06025-07	BOLT, FLANGE, 6X25	2 2 2		

F 1

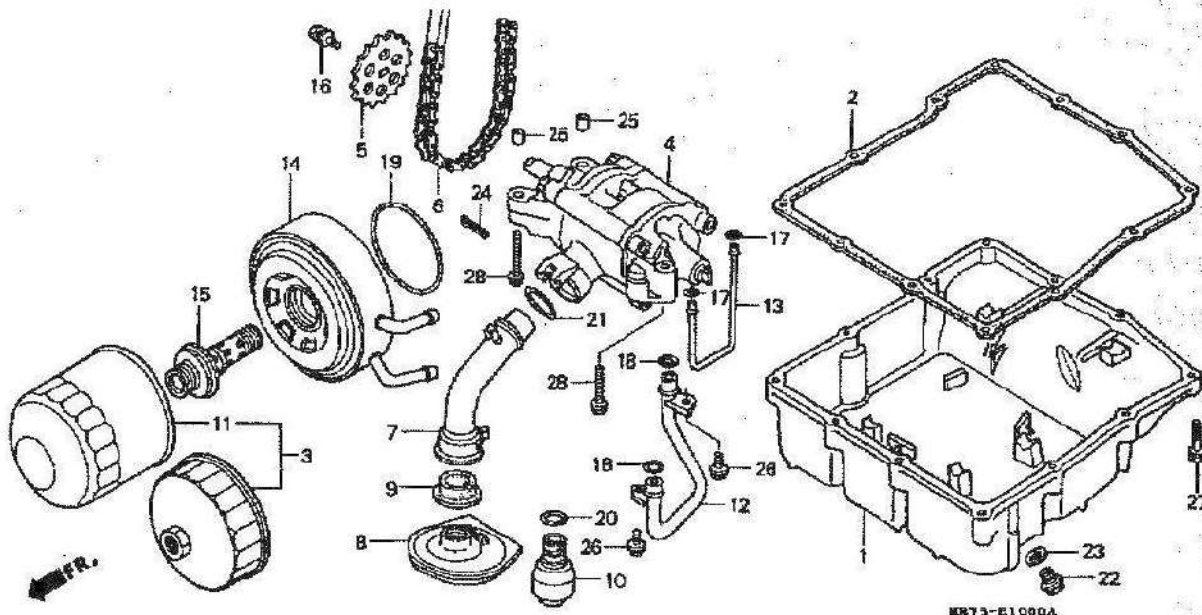
E-10

Oil filter • Oil pan •
Oil pump

Filter à huile • Carter •
Pompe à huile

Ölfilter • Ölwanne •
Ölpumpe

Filtor de aceite • Car-
ter de aceite •
Bomba de aceite



2

Service item	F.R.T.	Ref. No.	Part No.	Description	Head. No. VFA750R	Serial No.	Area code
PAN, OIL	1.0	1	11210-MR7-000	PAN, OIL	1 1 1		
GASKET, OIL PAN		2	11315-ML7-000	GASKET, OIL PAN	1 1 1		AR,B,CM,E,ED,F,FI,G,H,IT
PUMP ASSY., OIL	2.6						N,NZ,S,P,U
SPROCKET, OIL PUMP DRIVEN	1.1						SW
CHAIN, OIL PUMP							2100970 SW
STRAINER COMP., OIL			11315-MR7-780	GASKET, OIL PAN	1 1 1		SD
PIPE COMP. A, OIL							2100971 SW
PIPE B, OIL							
VALVE ASSY., RELIEF	1.3	* 3	15010-MW0-000	FILTER SET, OIL	(1) (1) (1)		
CARTRIDGE, OIL FILTER	0.3	4	15100-MR7-000	PUMP ASSY., OIL	1 1 1		
COOLER, ENGINE OIL	0.8	5	15134-MB0-010	SPROCKET, OIL PUMP DRIVEN			
O-RING, 67.8X2.4	0.5			(25T)	1 1 1		
		6	15140-ML7-003	CHAIN, OIL PUMP	1 1 1		
		7	15151-ML7-000	PIPE, OIL STRAINER	1 1 1		
		8	15153-ML7-690	STRAINER COMP., OIL	1 1 1		
		9	15154-ML7-000	PACKING, OIL STRAINER	1 1 1		

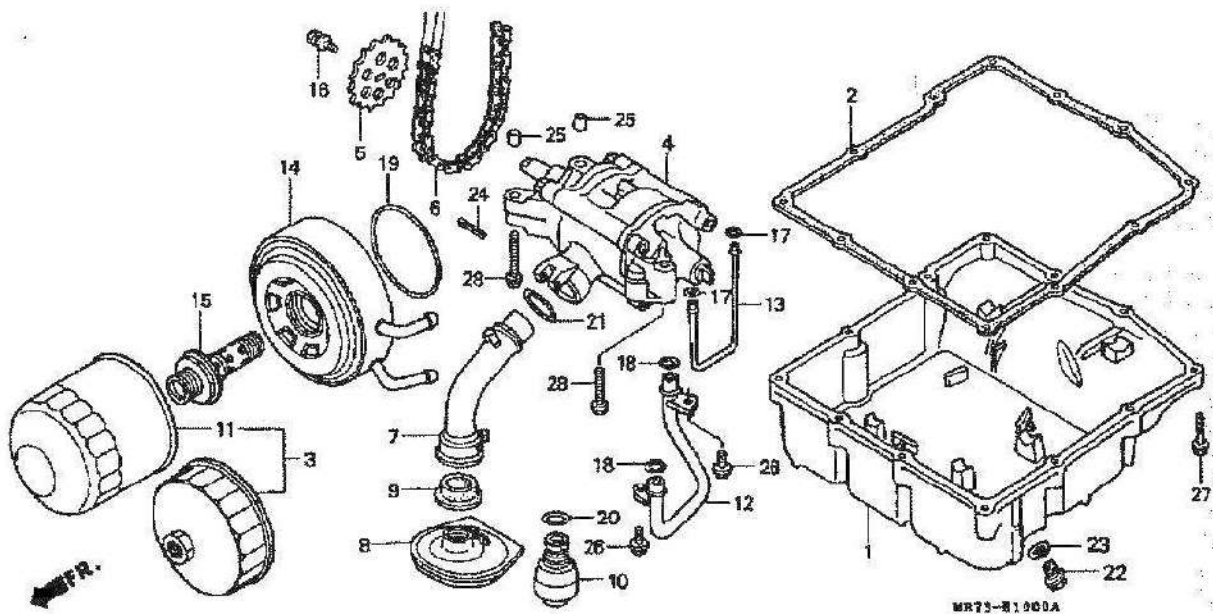
E-10

Oil filter • Oil pan •
Oil pump

Filter à huile • Carter •
Pompe à huile

ÖlfILTER • Ölwanne •
Ölpumpe

Filtor de aceite • Car-
ter de aceite •
Bomba de aceite



Service item	F.R.T.	Ref. No.	Part No.	Description	Reqd. No.			Serial No.	Area code
					VR7503	K	L		
		10	15220-MJ0-000	VALVE ASSY., RELIEF	1	1	1		
		11	15410-MM9-003	CARTRIDGE, OIL FILTER (TOYO ROKI)	1	1	1		
		12	15511-MR7-000	PIPE COMP. A, OIL	1	1	1		
		13	15512-ML7-000	PIPE B, OIL	1	1	1		
		14	15700-MR7-003	COOLER, ENGINE OIL	1	1	1		
		15	90019-MR7-003	BOLT, OIL COOLER	1	1	1		
		16	90021-MM5-000	BOLT-WASHER, 6X12	1	1	1		
		17	91307-ML7-004	O-RING, 8X2 (NOK)	2	2	2		
		18	91309-MB0-003	O-RING, 14.6X3.7 (ARAI)	2	2	2		
		19	91312-PC6-003	O-RING, 57.8X2.4	1	1	1		
		20	91313-MB0-003	O-RING, 14.7X2.2 (ARAI)	1	1	1		
		21	91331-PC9-003	O-RING, 21.2X2.4 (ARAI)	1	1	1		
			91331-PC9-004	O-RING, 21.2X2.4 (NOK)	1	1	1		

F 3

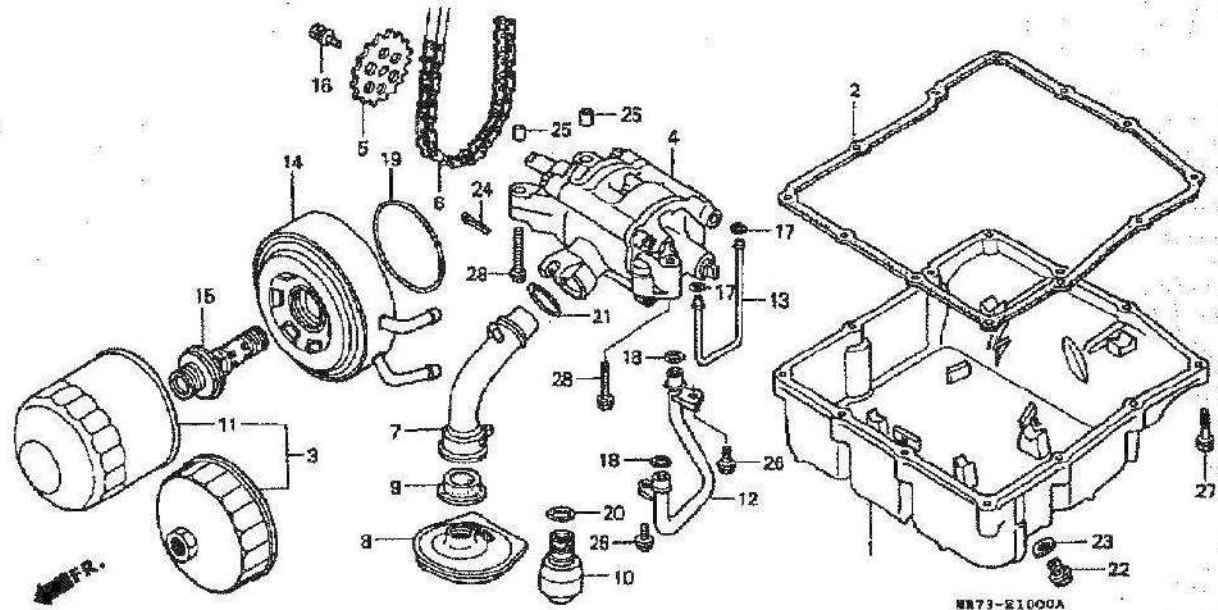
E-10

Oil filter • Oil pan •
Oil pump

Filter à huile • Carter •
Pompe à huile

Ölfilter • Ölwanne •
Ölpumpe

Filtor de aceite • Car-
ter de aceite •
Bomba de aceite



2

Service item	F.R.T.	Ref. No.	Part No.	Description	Recd. No.			Serial No.	Area code
					V	K			
		22	92800-12000	BOLT, DRAIN PLUG, 12MM	1	1	1		
		23	94109-12000	WASHER, DRAIN PLUG, 12MM	1	1	1		
		24	94201-20260	PIN, SPLIT, 2.0X25	1	1	1		
		25	94301-08140	PIN, DOWEL, 8X14	2	2	2		
		26	95701-06016-00	BOLT, FLANGE, 6X16	2	2	2		
		27	95701-06028-07	BOLT, FLANGE, 6X28	12	12	12		
		28	95701-06040-00	BOLT, FLANGE, 6X40	3	3	3		

F 4

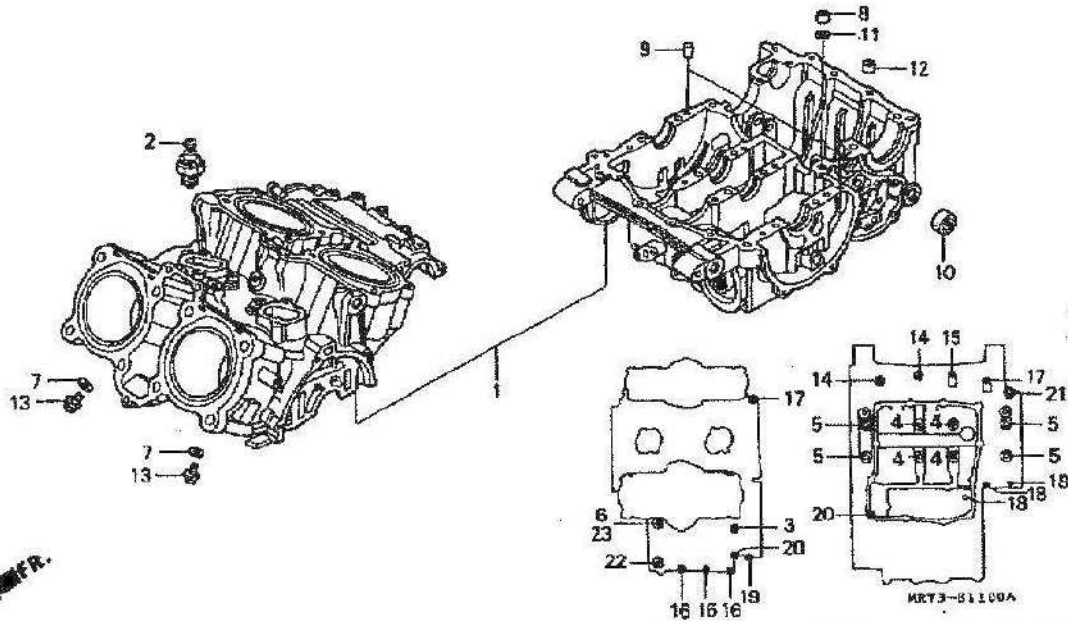
E-11

Crankcase set

Jeu de carter moteur

Kurbelgehäusesatz

Juego de cárter de motor



2

Service item	F.R.T.	Ref. No.	Part No.	Description	Reqd. No.			Serial No.	Area code
					V	K	L		
CRANKCASE SET	* 12.8	1	11000-MR7-000	CRANKCASE SET	1	1	1		
SWITCH ASSY., OIL PRESSURE	0.5	2	35500-MJ4-014	SWITCH ASSY., OIL PRESSURE					
				(ND)	1	1	1		
		3	90003-PC9-000	BOLT, FLANGE, 6X96	1	1	1		
		4	90014-ML7-000	BOLT, UBS, 9X88	4	4	4		
		5	90016-ML7-000	BOLT, UBS, 9X108	4	4	4		
		6	90403-MG7-000	WASHER, SEALING, 10MM	1	1	1		
		7	90483-ML7-000	WASHER, SEALING, 8.5MM	2	2	2		
		8	90701-ML7-000	ORIFICE, LOWER, 1.0	1	1	1		
		9	90711-MF5-000	PIN, DOWEL, 10X28	2	2	2		
		10	91204-MB0-013	OIL SEAL, 8X25X8 (ARAI)	1	1	1		
		11	91313-393-003	O-RING, 7.8X2.2 (ARAI)	1	1	1		
		12	94301-08140	PIN, DOWEL, 8X14	1	1	1		
		13	95701-06012-07	BOLT, FLANGE, 6X12	2	2	2		
		14	95701-06028-07	BOLT, FLANGE, 6X28	2	2	2		

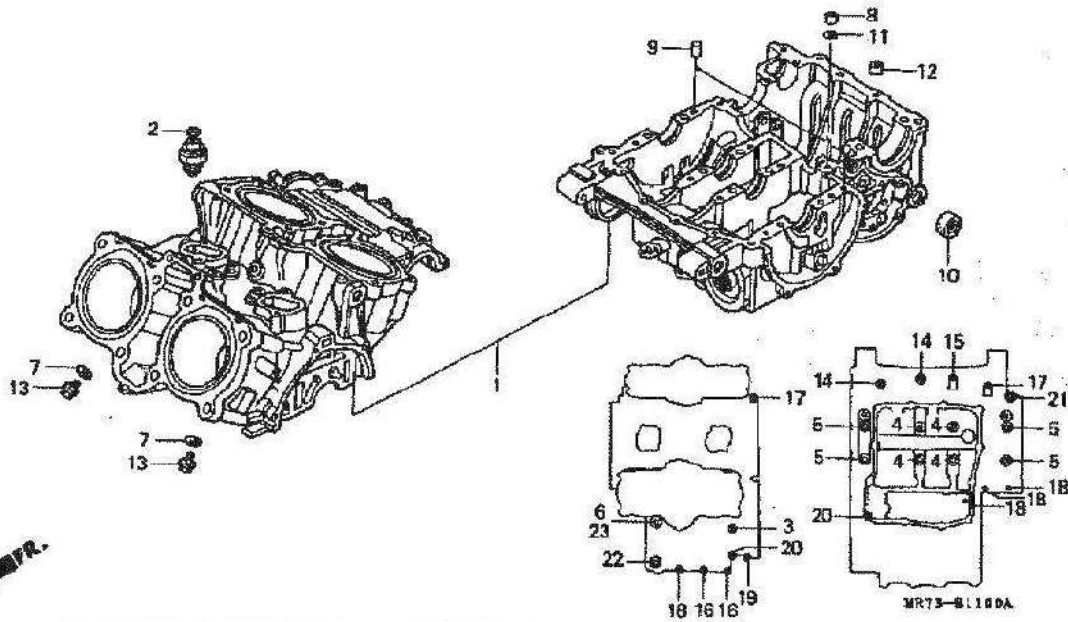
E-11

Crankcase set

Jeu de carter moteur

Kurbelgehäusesatz

Juego de cárter de motor



2

Service item	F.R.T.	Ref. No.	Part No.	Description	Reord. No.			Serial No.	Area code
					VFR750A	K			
		15	95701-08035-07	BOLT, FLANGE, 6X36	1	1	1		
		16	95701-08040-07	BOLT, FLANGE, 6X40	3	3	3		
		17	95701-08045-00	BOLT, FLANGE, 6X45	2	2	2		
		18	95701-08050-07	BOLT, FLANGE, 6X50	3	3	3		
		19	95701-08055-07	BOLT, FLANGE, 6X55	1	1	1		
		20	95701-08065-07	BOLT, FLANGE, 6X65	2	2	2		
		21	95701-08046-07	BOLT, FLANGE, 8X45	1	1	1		
		22	95701-10085-07	BOLT, FLANGE, 10X85	1	1	1		
		23	95701-10090-07	BOLT, FLANGE, 10X90	1	1	1		

F 6

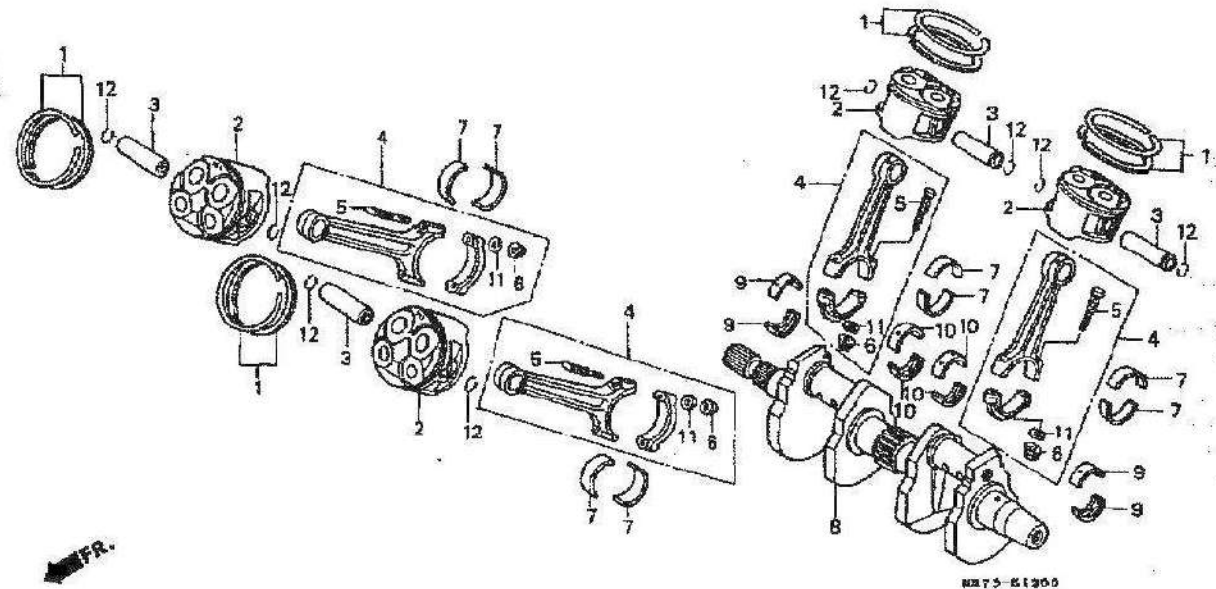
E-12

Crankshaft • Piston

Vilebrequin • Piston

Kurbelwelle • Kolben

Cigüeñal • Pistón



2

Service item	F.R.T.	Ref. No.	Part No.	Description	Req. No.			Serial No.	Area code
					VER	5DR	K		
RING SET, PISTON (ADD 0.2 FOR EACH.) (WHEN SERVICING COMP., UNIT, F.R.T. IS 10.6)	*9.3	1	13011-MR7-315	RING SET, PISTON (STD.)	4	4	4		
			13021-MR7-316	RING SET, PISTON (0.20)	(4)	(4)	(4)		
			13031-MR7-316	RING SET, PISTON (0.40)	(4)	(4)	(4)		
. PISTON (ADD 0.2 FOR EACH.) (WHEN SERVICING COMP., UNIT, F.R.T. IS 10.6)		2	13101-MR7-000	PISTON (STD.)	4	-	-		
			13101-MR7-010	PISTON (STD.)	-	4	4		
			13102-MR7-306	PISTON (0.20)	(4)	-	-		
			13102-MR7-315	PISTON (0.20)	-	(4)	(4)		
			13103-MR7-306	PISTON (0.40)	(4)	-	-		
			13103-MR7-316	PISTON (0.40)	-	(4)	(4)		
. PIN, PISTON (ADD 0.2 FOR EACH.)		3	13111-MR7-000	PIN, PISTON	4	4	4		
ROD ASSY., CONNECTING (ADD 0.4 FOR EACH.) (WHEN SERVICING COMP., UNIT, F.R.T. IS 11.4)	*9.8	4	13210-MR7-305	ROD ASSY. A, CONNECTING	4	4	4		
			13220-MR7-305	ROD ASSY. B, CONNECTING	4	4	4		
			13230-MR7-305	ROD ASSY. C, CONNECTING	4	4	4		
BEARING, CONNECTING ROD (ADD 0.3 FOR EACH.)	*8.4	5	13213-MR7-000	BOLT, CONNECTING ROD	8	8	8		
CRANKSHAFT COMP.	*10.8								
BEARING, CRANKSHAFT (ONE OR ALL)	*9.4								

	13210-MR7-305 (A)	13220-MR7-305 (B)	13230-MR7-305 (C)
Rear connecting rod (MARK)			
Front connecting rod (MARK)			
13210-MR7-305 (A)		13320-MR7-305 (NO MARK)	13330-MR7-305 (NO MARK)
13220-MR7-305 (B)	13320-MR7-305 (NO MARK)	13320-MR7-305 (NO MARK)	13320-MR7-305 (NO MARK)
13230-MR7-305 (C)	13320-MR7-305 (NO MARK)	13320-MR7-305 (NO MARK)	13330-MR7-305 (MARK C)

F 7

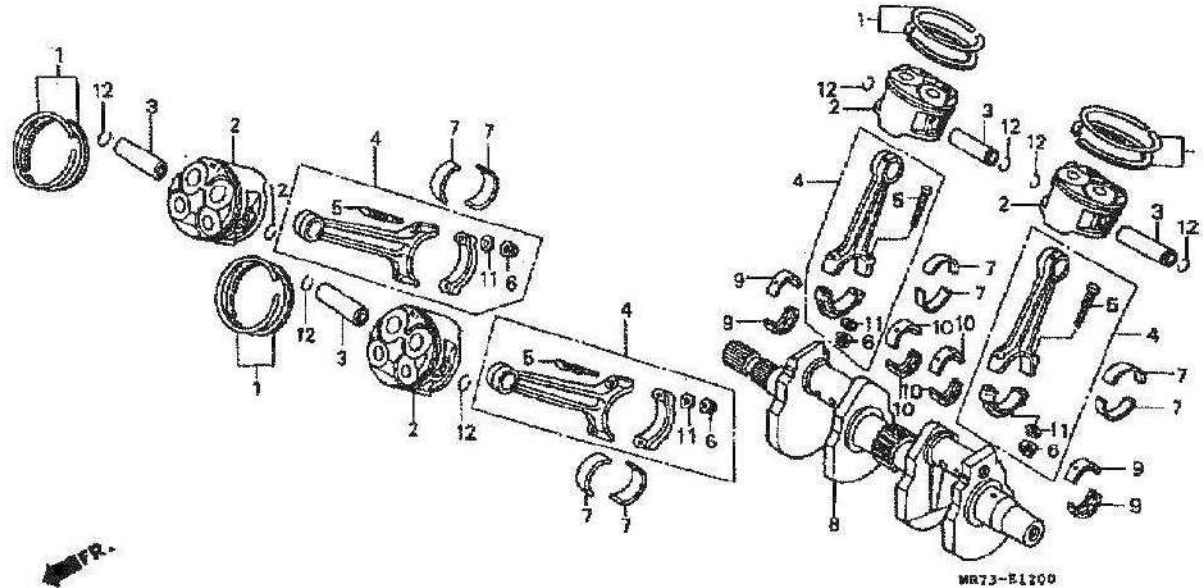
E-12

Crankshaft • Piston

Vilebrequin • Piston

Kurbelwelle • Kolben

Cigüeñal • Pistón



2

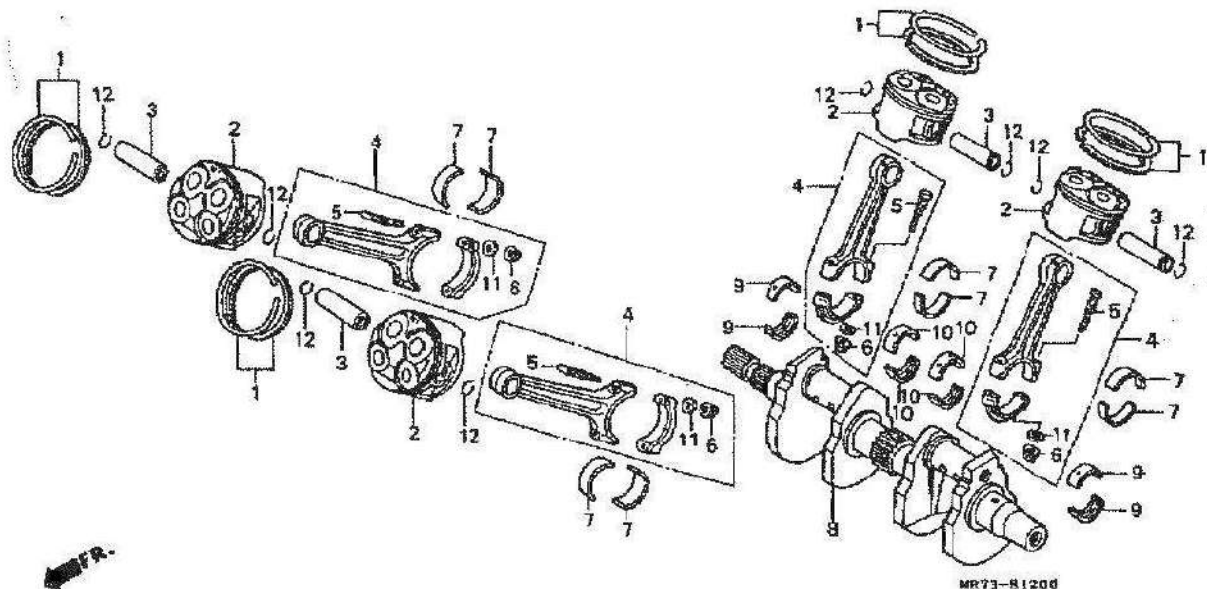
Service item	F.R.T.	Ref. No.	Part No.	Description	Reqd. No. VFR75DR	Serial No.	Area code
		6	13215-ML7-000	NUT, CONNECTING ROD	8 8 8		
		7	13224-MR7-000	BEARING A, CONNECTING ROD			
			13225-MR7-000	BEARING B, CONNECTING ROD	(BLUE) 8 8 8		
			13226-MR7-000	BEARING C, CONNECTING ROD	(BLACK) 8 8 8		
			13227-MR7-000	BEARING D, CONNECTING ROD	(BROWN) 8 8 8		
			13228-MR7-000	BEARING E, CONNECTING ROD	(GREEN) 8 8 8		
			13229-MR7-000	BEARING F, CONNECTING ROD	(YELLOW) 8 8 8		
		8	13310-MR7-305	CRANKSHAFT COMP. (A)			
			(13320-MR7-305)		1 1 1		
			13320-MR7-305	CRANKSHAFT COMP. (B)	1 1 1		
			13330-MR7-305	CRANKSHAFT COMP. (C)	1 1 1		
		9	13313-ML7-690	BEARING A, CRANKSHAFT SIDE	(BLUE) 4 4 4		

Connecting rod I.D. 39φ	Crank pin O.D. 36φ		
	1	2	3
0 ~ +0.006	+	+	+
A -0.006 ~ -0.012	YELLOW	GREEN	BROWN
B -0.012 ~ -0.018	GREEN	BROWN	BLACK
C -0.018 ~ -0.024	BROWN	BLACK	BLUE

F 8

E-12

Crankshaft • Piston
Vilebrequin • Piston
Kurbelwelle • Kolben
Cigüeñal • Pistón



2

Service item	F.R.T.	Ref. No.	Part No.	Description	Reqd. No.	Serial No.	Area code
					VERTEOR J K L		
		(9)	13314-ML7-690	BEARING B, CRANKSHAFT SIDE (BLACK)	4	4	4
			13315-ML7-690	BEARING C, CRANKSHAFT SIDE (BROWN)	4	4	4
			13316-ML7-690	BEARING D, CRANKSHAFT SIDE (GREEN)	4	4	4
			13317-ML7-690	BEARING E, CRANKSHAFT SIDE (YELLOW)	4	4	4
		10	13323-MR7-003	BEARING A, CRANKSHAFT CENTER (BLUE)	4	4	4
			13324-MR7-003	BEARING B, CRANKSHAFT CENTER (BLACK)	4	4	4
			13325-MR7-003	BEARING C, CRANKSHAFT CENTER (BROWN)	4	4	4
			13326-MR7-003	BEARING D, CRANKSHAFT CENTER (GREEN)	4	4	4
			13327-MR7-003	BEARING E, CRANKSHAFT CENTER (YELLOW)	4	4	4

		Crankshaft bearing selection (Oil clearance 23~45µm)		
Crankcase I.D. 37φ	Crankshaft O.D. 34φ	1	2	3
			+0.003~ -0.003	-0.003~ -0.009
A	0 +0.006	YELLOW	GREEN	BROWN
B	+0.006~ +0.012	GREEN	BROWN	BLACK
C	+0.012~ +0.018	BROWN	BLACK	BLUE

F 9

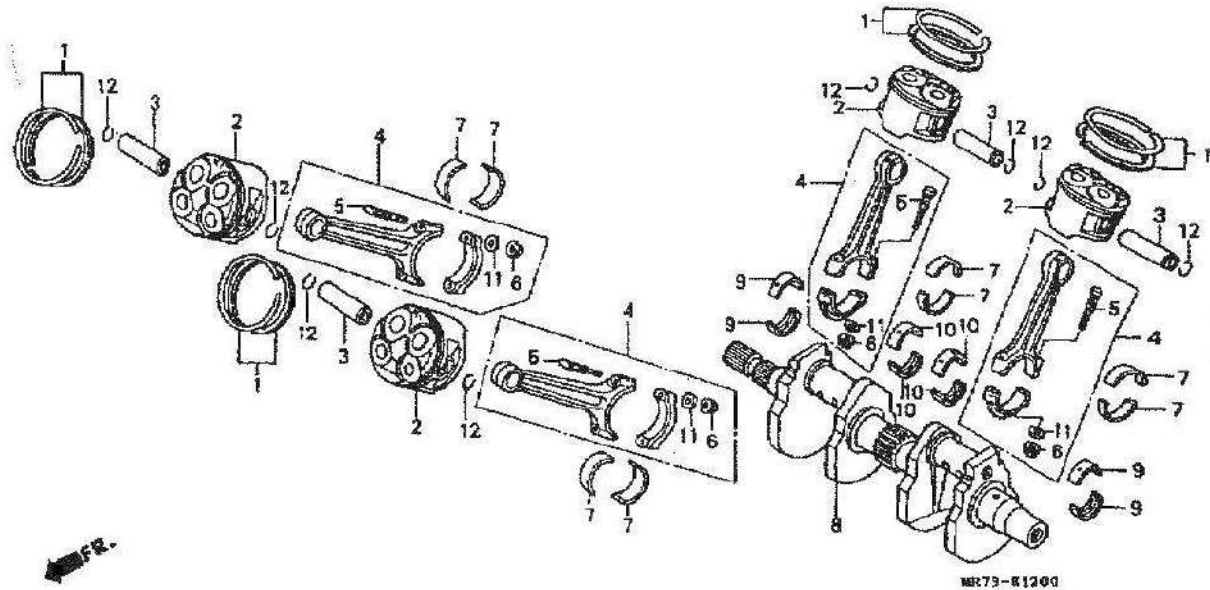
E-12

Crankshaft • Piston

Vilebrequin • Piston

Kurbelwelle • Kolben

Cigüeñal • Pistón



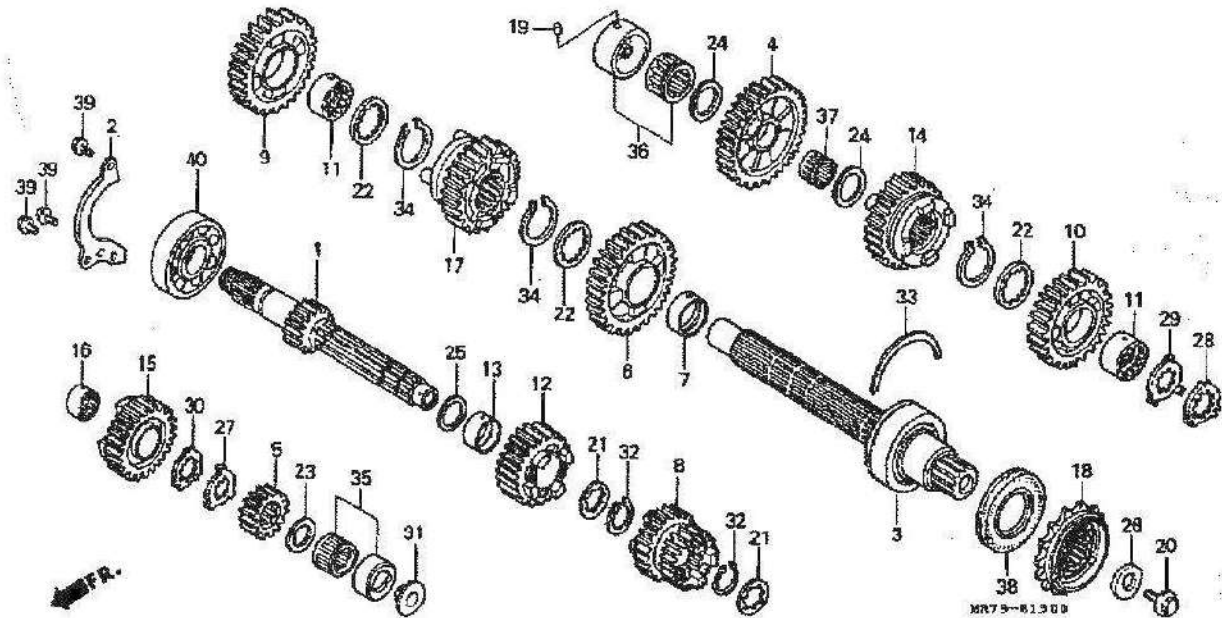
2

Service item	F.R.T.	Ref. No.	Part No.	Description	Reqd. No. VFR750R	Serial No.	Area code
		11	90401-KR6-000	WASHER, SPECIAL, 9MM.....	8	8	8
		12	94601-17000	CLIP, PISTON PIN, 17MM.....	8	8	8

F 10

E-13

Transmission
 Transmission
 Getriebe
 Transmisión



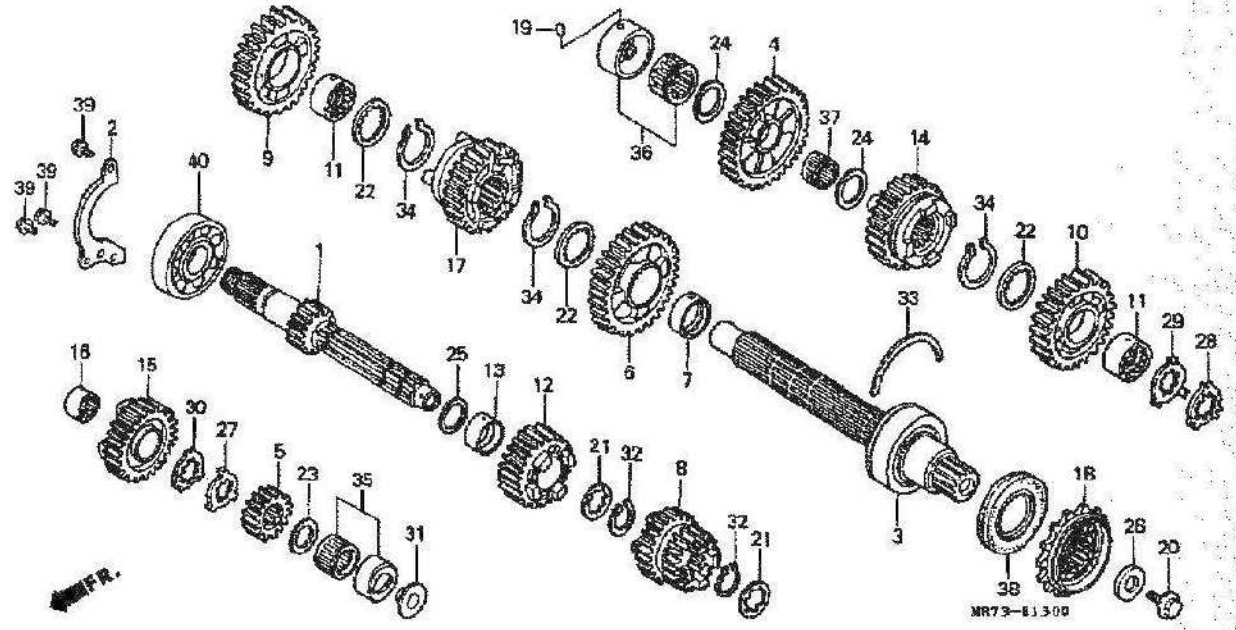
2

Service Item	F.R.T.	Ref. No.	Part No.	Description	Reql. No.		Serial No.	Area code
					VF8310R	K		
MAINSHAFT	* 7.5	1	23211-MR7-000	MAINSHAFT (15T)	1	1	1	
(INC. RELATIVE PART)		2	23212-ML7-000	PLATE, BEARING SETTING	1	1	1	
COUNTERSHAFT COMP.		3	23220-MR7-000	COUNTERSHAFT COMP.	1	1	1	
(INC. RELATIVE PART)		4	23421-MR7-000	GEAR, COUNTERSHAFT LOW (36T)	1	1	1	
[WHEN SERVICING COMP., UNIT, F.R.T. IS 7.7.]		5	23431-MR7-000	GEAR, MAINSHAFT SECOND (17T)	1	1	1	
SPROCKET COMP.. DRIVE	0.4	6	23441-MR7-000	GEAR, COUNTERSHAFT SECOND (33T)	1	1	1	
		7	23442-ML7-000	COLLAR, 28MM	1	1	1	
		8	23451-MR7-000	GEAR, MAINSHAFT THIRD & FOURTH (19/23T)	1	1	1	
		9	23461-MR7-000	GEAR, COUNTERSHAFT THIRD (31T)	1	1	1	
		10	23481-MR7-000	GEAR, COUNTERSHAFT FOURTH (33T)	1	1	1	

F 11

E-13

Transmission
 Transmission
 Getriebe
 Transmisión



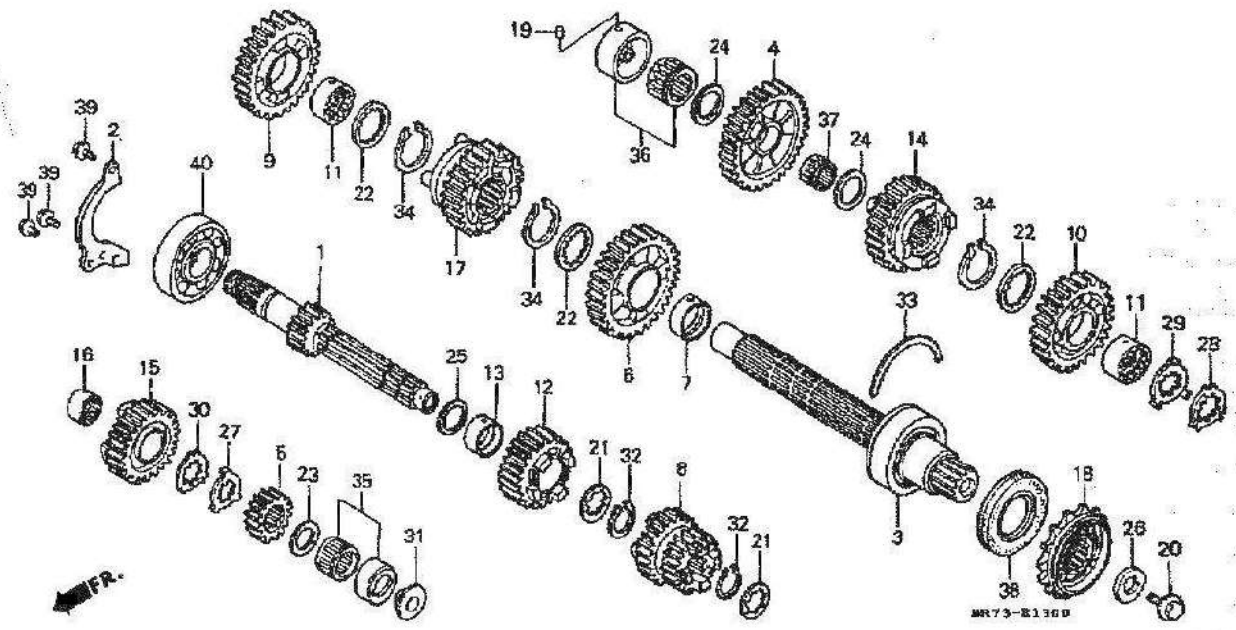
2

Service item	F.R.T.	Ref. No.	Part No.	Description	Reqd. No.			Serial No.	Area code
					VFR750R	K	L		
		11	23482-MR7-000	COLLAR, SPLINE, 28X 13.5	2	2	2		
		12	23491-MR7-000	GEAR, MAINSHAFT FIFTH (24T)	1	1	1		
		13	23495-M80-000	COLLAR, 26X 12	1	1	1		
		14	23501-MR7-000	GEAR, COUNTERSHAFT FIFTH (31T)	1	1	1		
		15	23511-MR7-000	GEAR, MAINSHAFT SIXTH (26T)	1	1	1		
		16	23512-MR7-000	COLLAR, SPLINE, 25X 16	1	1	1		
		17	23521-MR7-000	GEAR, COUNTERSHAFT SIXTH (31T)	1	1	1		
		18	23800-MR7-000	SPROCKET COMP., DRIVE (16J)	1	1	1		
		19	24261-283-000	PIN, GEARSHIFT FORK GUIDE	1	1	1		
		20	90037-422-003	BOLT, SPECIAL, 10MM	1	1	1		

F 12

E-13

Transmission
 Transmission
 Getriebe
 Transmisión



2

Service item	F.R.T.	Ref. No.	Part No.	Description	Reqd. No. VFR750R K	Serial No.	Area code
		21	90451-MR7-000	WASHER, SPLINE, 25X31X1.6	2	2	2
		22	90452-MR7-000	WASHER, SPLINE, 28X34X1.6	3	3	3
		23	90454-428-000	WASHER, THRUST, 20X1.00	1	1	1
		24	90455-ML7-000	WASHER B, THRUST, 22MM (BLUE)	2	2	2
			90456-ML7-000	WASHER A, THRUST, 22MM (RED)	2	2	2
			90457-ML7-000	WASHER C, THRUST, 22MM [YELLOW]	2	2	2
		25	90456-MA6-000	WASHER, THRUST, 25MM	1	1	1
		26	90459-438-000	WASHER, 10.2MM	1	1	1
		27	90462-MR7-000	WASHER, LOCK, 25MM	1	1	1
		28	90463-MR7-000	WASHER, SPLINE, 28MM	1	1	1
		28	90464-MR7-000	WASHER, LOCK, 28MM	1	1	1
		30	90465-MR7-000	WASHER, SPLINE, 26MM	1	1	1
		31	90558-MR7-000	PLATE, ORIFICE	1	1	1

Identification color of countershaft	90456-ML7-000 (Red)	90455-ML7-000 (Blue)	90457-ML7-000 (Yellow)
Red	○	×	×
Blue	×	○	×
Yellow	×	×	○

F 13

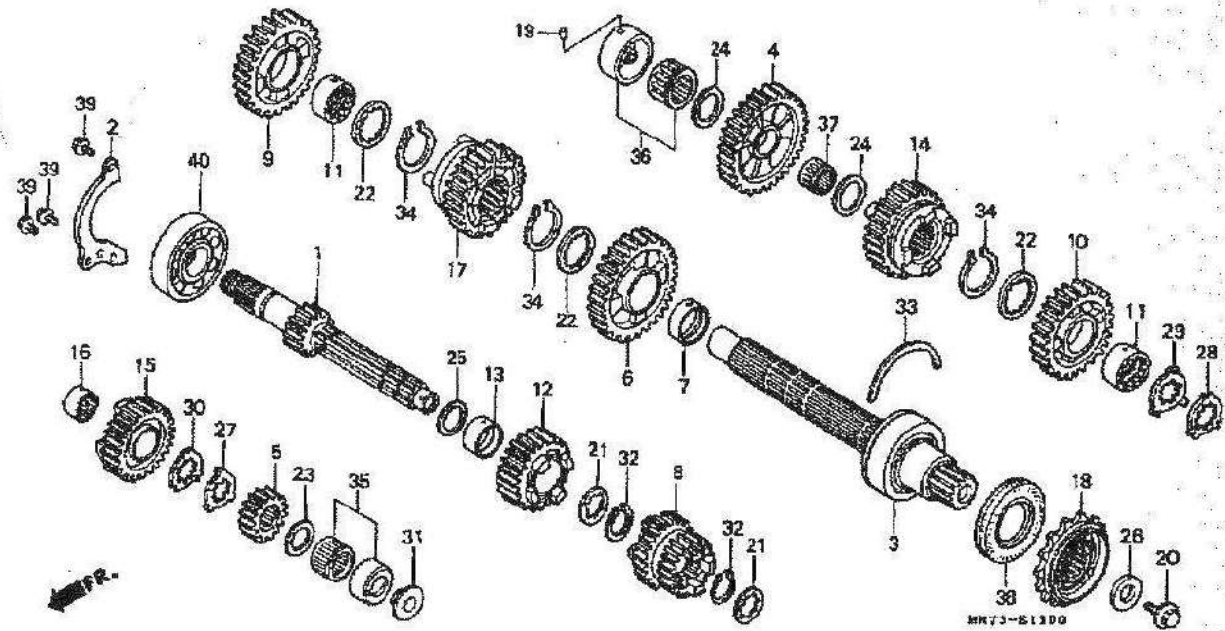
E-13

Transmission

Transmission

Getriebe

Transmisión



2

Service item	F.R.T.	Ref. No.	Part No.	Description	Reqd. No.			Serial No.	Area code
					V	K	L		
		32	90601-107-000	CIRCLIP, 26MM	2	2	2		
		33	90602-MR7-000	RING, SET, 68MM	1	1	1		
		34	90603-MN4-000	CIRCLIP, 28MM	3	3	3		
		35	91022-ML7-890	BEARING, NEEDLE, 20MM (TOYO).....	1	1	1		
		38	91023-MR7-003	BEARING, NEEDLE, 22MM (TOYO).....	1	1	1		
		37	91026-MB4-003	BEARING, NEEDLE, 22X26X11	1	1	1		
		38	91207-MR7-003	OIL SEAL, 40X68X7.2 (ARAI)	1	1	1		
		39	95701-06016-00	BOLT, FLANGE, 6X16	3	3	3		
		40	96100-63050-00	BEARING, RADIAL BALL, 8305	1	1	1		

F 14

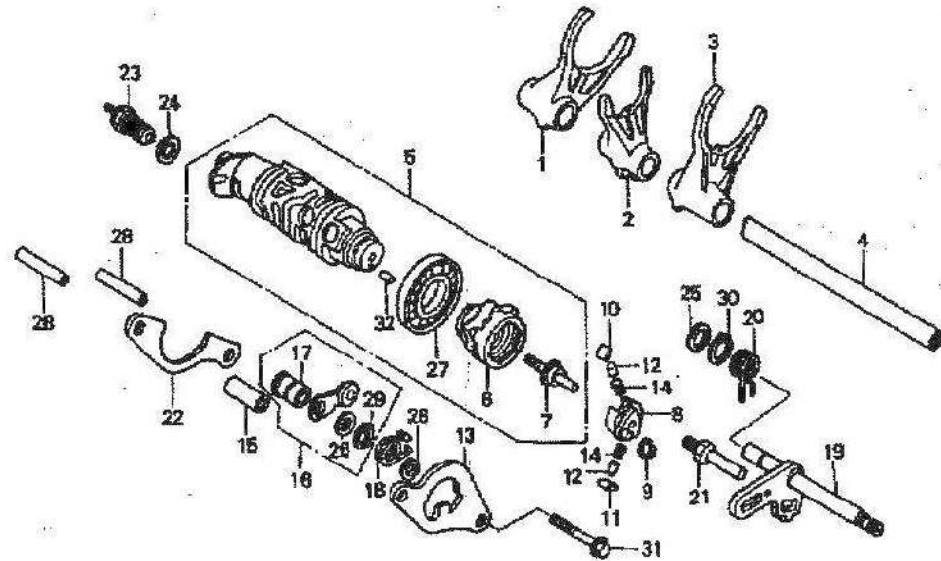
E-14

Shift drum • Shift fork

Tambour de changement de vitesse • Fourchette de changement

Schaltwaize • Schatgabel

Tambor do cambio • Horquilla de cambio



MR73-81400

2

Service item	F.R.T.	Ref. No.	Part No.	Description	Recd. No. VFR750R	Serial No.	Area code
FORK, GEARSHIFT (ONE OR ALL)	3.1	1	24211-ML7-000	FORK, R. GEARSHIFT	1	1	1
		2	24212-ML7-000	FORK, CENTER GEARSHIFT	1	1	1
DRUM COMP., GEARSHIFT	4.3	3	24213-ML7-000	FORK, L. GEARSHIFT	1	1	1
CENTER, GEARSHIFT DRUM	1.7	4	24261-ML7-000	SHAFT COMP., GEARSHIFT FORK	1	1	1
SHIFTER, DRUM	1.6	5	24310-MR7-000	DRUM COMP., GEARSHIFT	1	1	1
PAWLA, RATCHET (ONE OR ALL)		6	24312-KT7-751	CENTER, GEARSHIFT DRUM	1	1	1
PLATE, GUIDE		7	24316-HA0-000	PIN, SHIFTER	1	1	1
STOPPER COMP., DRUM (INC. RELATIVE PART)		8	24321-KT8-010	SHIFTER, DRUM	1	1	1
SPINDLE COMP., GEARSHIFT	1.4	9	24322-MM4-000	COLLAR, SHIFTER	1	1	1
SPRING, GEARSHIFT RETURN		10	24324-KA3-710	PAWLA, RATCHET	1	1	1
SWITCH ASSY., NEUTRAL	0.4						

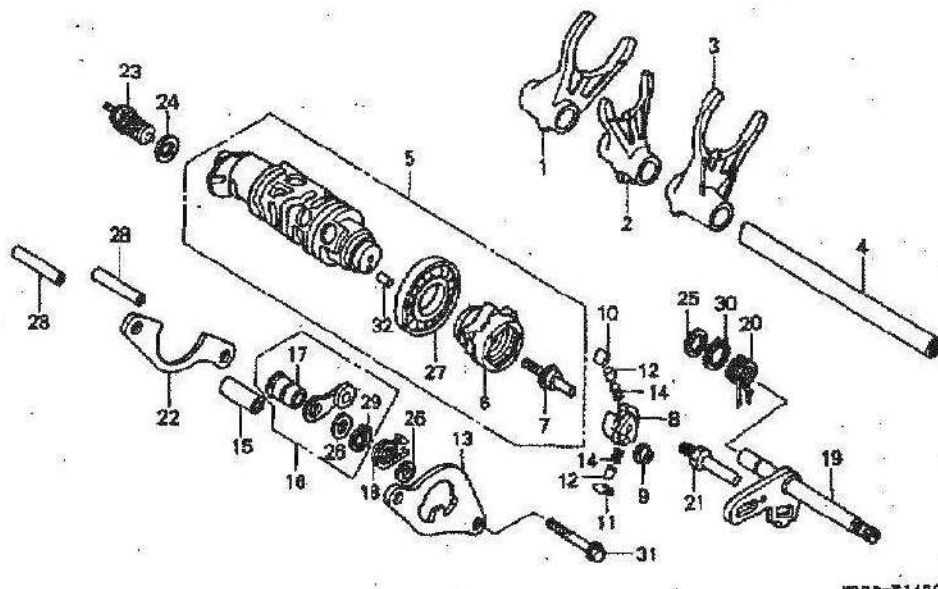
E-14

Shift drum • Shift fork

Tambour de changement
de vitesse • Fourchette
de changement

Schaltwalze •
Schaltgabel

Tambor de cambio • Hor-
quilla de cambio



2

Service item	F.R.T.	Ref. No.	Part No.	Description	Reqd. No.			Serial No.	Area code
					VER7MOR	K	L		
		11	24325-KA3-710	PAWL B, RATCHET	1	1	1		
		12	24326-KT7-000	PLUNGER, PAWL	2	2	2		
		13	24328-MR7-000	PLATE, GUIDE	1	-	-		
			24328-MR7-010	PLATE, GUIDE	-	1	1		
		14	24329-KA3-740	SPRING, PAWL PLUNGER	2	2	2		
		15	24329-KT7-000	COLLAR, GUIDE PLATE DISTANCE	1	1	1		
		16	24430-MR7-000	STOPPER COMP., DRUM	1	1	1		
		17	24434-MR7-000	COLLAR, DRUM STOPPER	1	1	1		
		18	24435-MR7-000	SPRING, DRUM STOPPER	1	1	1		
		19	24810-MR7-000	SPINDLE COMP., GEARSHIFT	1	1	1		
		20	24851-MR7-000	SPRING, GEARSHIFT RETURN	1	1	1		
		21	24852-035-000	PIN, SHIFT RETURN SPRING	1	1	1		

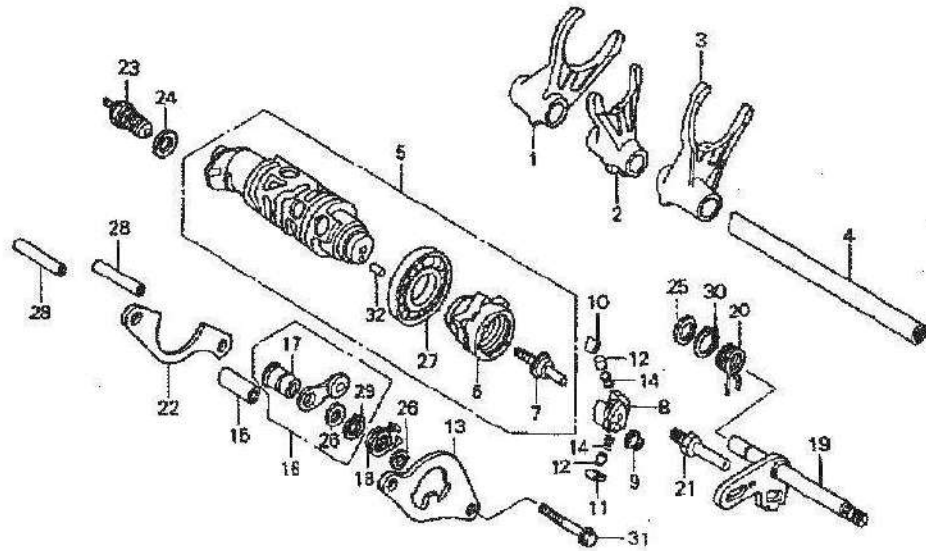
E-14

Shift drum • Shift fork

Tambour de changement de vitesse • Fourchette de changement

Schaltwalze • Schaltgabel

Tambor do cambio • Horquilla de cambio



MR73-21400

2

Service item	F.R.T.	Ref. No.	Part No.	Description	Reqd. No. VFR7A0R	Serial No.	Area code
		22	24655-MR7-000	PLATE, SHIFT DRUM BEARING			
				SETTING	1	1	1
		23	35600-KE8-010	SWITCH ASSY., NEUTRAL	1	1	1
		24	90443-M80-000	WASHER, SEALING, 10MM	1	1	1
		25	90461-165-000	WASHER, 14MM	1	1	1
		26	90486-MR7-000	WASHER, 12MM	2	2	2
		27	91008-374-003	BEARING, BALL, 16005 (NTN)	1	1	1
		28	91104-KT7-000	PIN, DOWEL, 8X31.5	2	2	2
		29	94610-12000	CIRCLIP, EXTERNAL, 12MM	1	1	1
		30	94610-14000	CIRCLIP, EXTERNAL, 14MM	1	1	1
		31	95701-06045-07	BOLT, FLANGE, 6X45	2	2	2
		32	96220-40080	ROLLER, 4X8	1	1	1

G 1

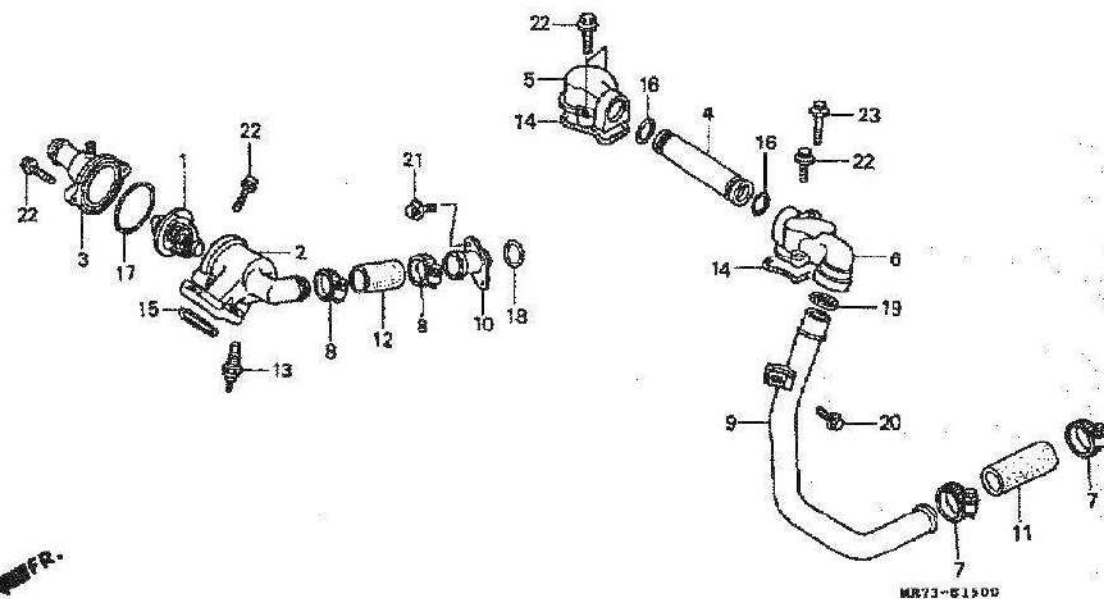
E-15

Water pump • Thermostat

Tuyau d'eau • Thermostat

Wasserrohr • Thermostat

Tubo de agua •
Thermóstato



2

Service item	F.R.T.	Ref. No.	Part No.	Description	Revd. No.			Serial No.	Area code
					VFR750A	K			
THERMOSTAT ASSY.	0.7	1	19300-ML7-003	THERMOSTAT ASSY.	1	1	1		
PIPE, CONNECTING		2	19311-MR7-000	CASE, THERMOSTAT	1	1	1		
CAP A, CONNECTING PIPE		3	19315-MR7-000	COVER COMP., THERMOSTAT	1	1	1		
THERMO UNIT		4	19607-MB0-000	PIPE, CONNECTING	1	1	1		
CASE, THERMOSTAT	0.9	5	19608-MB0-000	CAP A, CONNECTING PIPE	1	1	1		
PIPE A, WATER									
COVER COMP., THERMOSTAT	0.8	6	19509-MB0-000	CAP B, CONNECTING PIPE	1	1	1		
CAP B, CONNECTING PIPE	0.8	7	19516-ML7-690	CLAMP A, WATER HOSE	2	-	2		AR,B,E,ED,F,FI,G,H,IT,N
JOINT, WATER									NZ,SD,SP,SW,U
HOSE A, WATER					2	2	-		CM
HOSE D, WATER					-	2	-	2101297	AR,B,E,ED,F,G,IT,SD,SP,SW
									U
			19516-ML7-691	CLAMP, HOSE, 24-32MM	-	2	-	210129B	AR,B,E,ED,F,G,IT,SD,SP,SW
									U

G 2

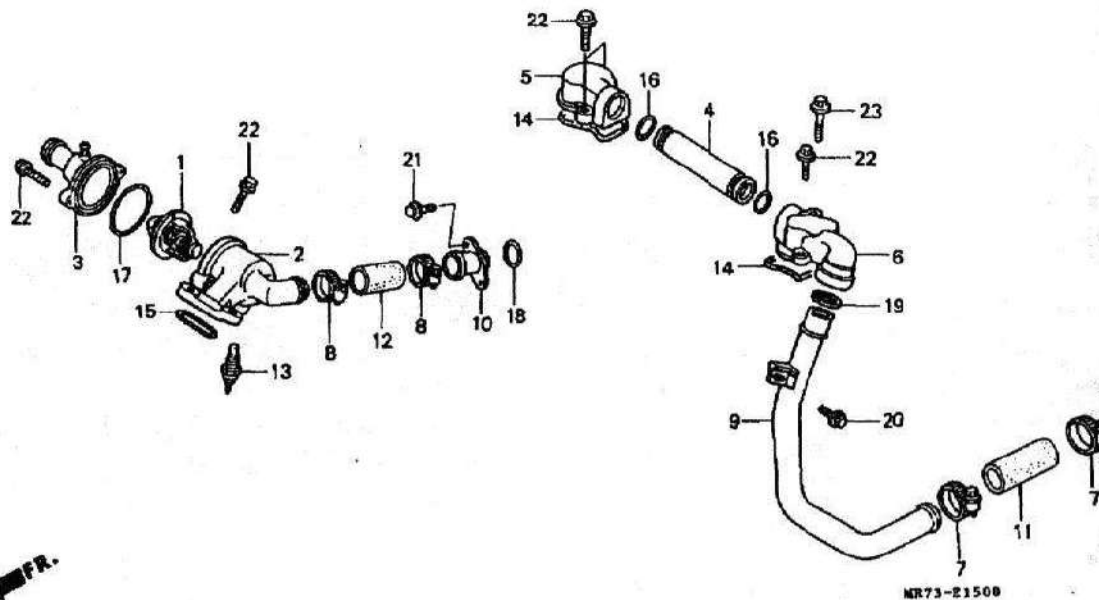
E-15

Water pump • Thermostat

Tuyau d'eau • Thermostat

Wasserrohr • Thermostat

Tubo de agua •
Thermóstato



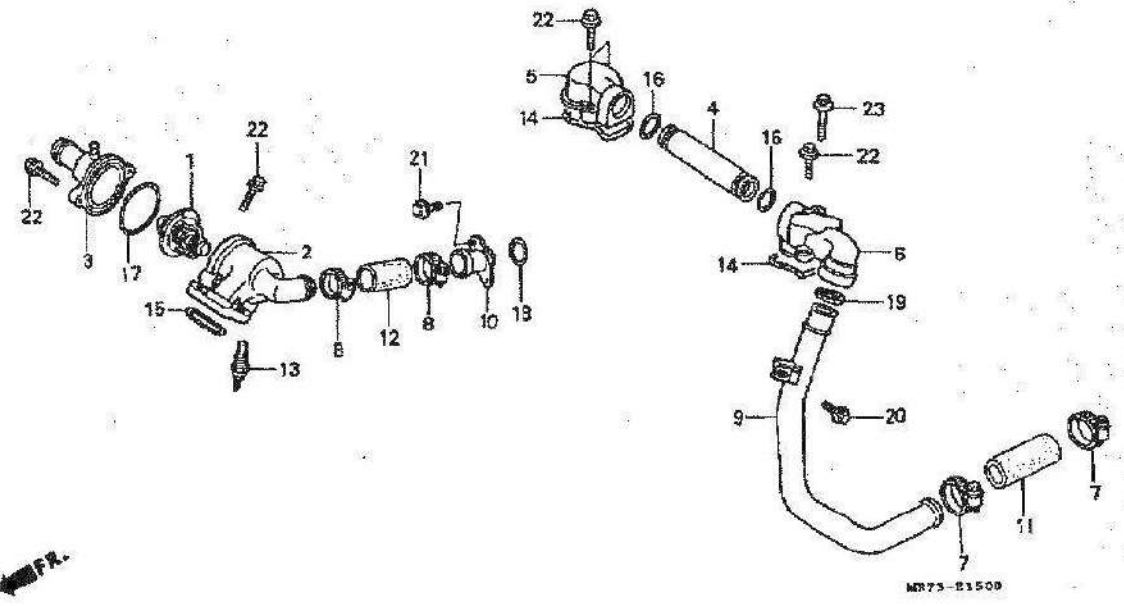
2

Service item	F.R.T.	Ref. No.	Part No.	Description	Reord. No.			Serial No.	Area code
					VFR750R	J	K		
		8	19517-ML7-690	CLAMP B, WATER HOSE	2	2	2		
		8	19517-ML7-691	CLAMP B, WATER HOSE	2	2	2		
		9	19521-ML7-000	PIPE A, WATER	1	1	1		
		10	19523-MR7-000	JOINT, WATER	1	1	1		
		11	19525-ML7-000	HOSE A, WATER	1	1	1		
		12	19528-MR7-000	HOSE D, WATER	1	1	1		
		13	37750-PC1-004	THERMO UNIT (DENSO)	1	1	1		
		14	91301-MB0-000	GASKET, CONNECTING CAP	2	2	2		
		15	91301-MR7-000	O-RING, 22X27X2	1	1	1		
		16	91301-147-023	O-RING, 18.3X2.3 (ARAI)	2	2	2		
		17	91311-KE8-000	O-RING, 47.5X2	1	1	1		

G 3

E-15

Water pump • Thermostat
 Tuyau d'eau • Thermostat
 Wasserrohr • Thermostat
 Tubo de agua •
 Termóstato



2

Service item	F.R.T.	Ref. No.	Part No.	Description	Reqd. No.			Serial No.	Area code
					V	K	L		
		18	91312-KE8-003	O-RING, 17X3 (ARAI)	1	1	1		
		19	91315-M80-003	SEAL, WATER PIPE	1	-	-		
			91315-M80-013	SEAL, WATER PIPE	-	1	1		
		20	95701-06012-07	BOLT, FLANGE, 8X12	1	1	1		
		21	95001-06014-07	BOLT, FLANGE, 8X14	2	2	2		
		22	95001-06022-07	BOLT, FLANGE, 8X22	7	7	7		
		23	96001-06035-07	BOLT, FLANGE, 6X35	1	1	1		

G 4

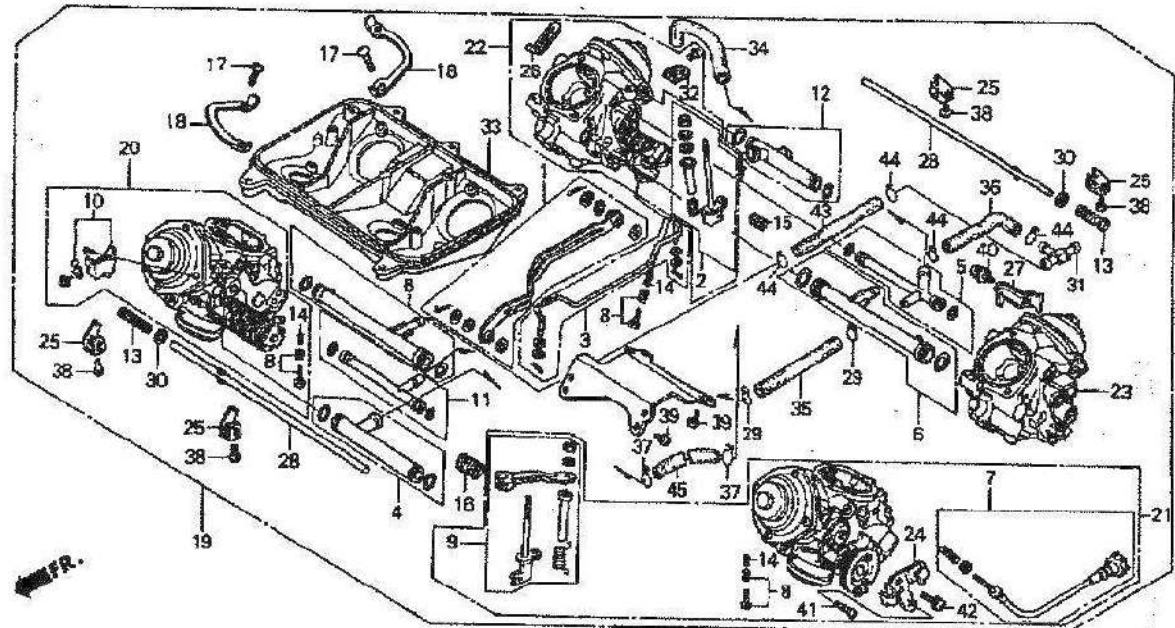
E-16

Carburetor
(Assy.)

Carbureteur
(Ens.)

Vergaser
(Kompl.)

Carburador
(Ens.)



MR73-B1600A

Service item	F.R.T.	Ref. No.	Part No.	Description	Read No. VFR760R	Serial No.	Area code
CARBURETOR ASSY.	1.3	1	16017-MR7-004	LEVER SET, LINK	1 1 1		
JOINT SET E, FUEL		2	16018-MR7-004	LINK SET A, STARTER	1 1 1		
CARBURETOR ASSY.		3	16019-MR7-004	ROD SET, STARTER LINK	1 1 1		
CARBURETOR ASSY., R. FR. (ADD 0.5 FOR EACH.)	1.7	4	16026-MR7-004	JOINT SET E, FUEL	1 1 1		
BASE, CLEANER	1.2	5	16027-MB6-671	JOINT SET, FUEL	1 1 1		
		6	16027-MR7-004	JOINT SET A, FUEL	2 - -		
			16027-MR7-014	JOINT SET, FUEL	- 2 2		
		7	16028-MN5-004	SCREW SET B	1 1 1		
		8	16029-MB0-671	SCREW SET C	3 3 3		
		9	16031-MR7-004	LINK SET B, STARTER	1 1 1		
		10	16035-MR7-004	PLATE SET, STAY	1 1 1		
		11	16047-KE7-003	JOINT SET, FUEL	1 1 1		
		12	16047-MR7-004	JOINT SET D, FUEL	1 1 1		

G 5

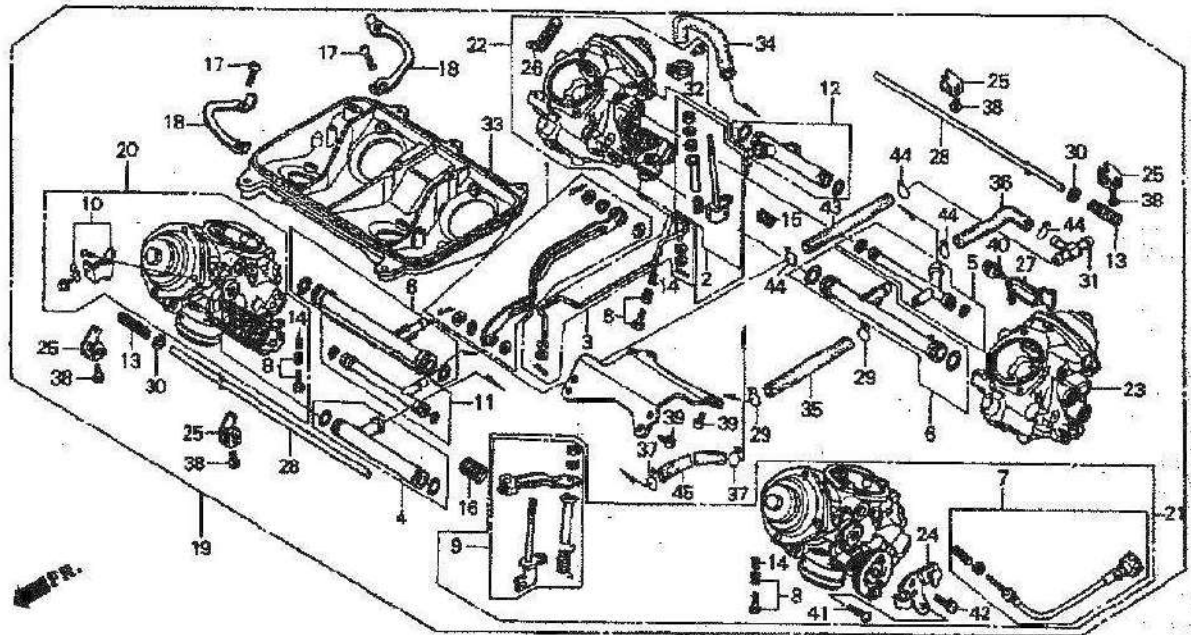
E-16

Carburetor
(Assy.)

Carbureteur
(Ens.)

Vergaser
(Kompl.)

Carburador
(Ens.)



2

Service item	F.R.T.	Ref. No.	Part No.	Description	Reqd. No.			Serial No.	Area code
					VFR750R	K			
		13	16051-ML7-004	SPRING, COMPRESSION COIL	2	2	2		
		14	16052-KG4-003	SPRING	3	3	3		
		15	16063-MB0-671	SPRING	1	1	1		
		16	16053-MG9-004	SPRING	1	1	1		
		17	16080-MB0-671	SCREW, PAN	8	8	8		
		18	16090-MR7-004	WASHER, TONGUED	4	4	4		
		19	16100-MR7-601	CARBURETOR ASSY. (VDHOB A)	1	-	-		AR,B,CM,E,ED,F,FI,G,H,IT N,NZ,SD,SP
			16100-MR7-881	CARBURETOR ASSY. (VDHOC A)	1	-	-		U
			16100-MR7-892	CARBURETOR ASSY. (VDHAA A)	1	-	-		SW
			16100-MR7-802	CARBURETOR ASSY. (VDHOB B)	-	1	1	2100447	AR,B,CM,E,ED,F,G,IT,SD,SP
			16100-MR7-882	CARBURETOR ASSY. (VDHOC B)	-	1	-	2100394	U
			16100-MR7-890	CARBURETOR ASSY. (VDHAB A)	-	1	-	2100970	SW
			16100-MR7-803	CARBURETOR ASSY. (VDHOB C)	-	1	1	2100448	AR,B,CM,E,ED,F,G,IT,SD,SP
			16100-MR7-883	CARBURETOR ASSY. (VDHOC C)	-	1	-	2100395	U
			16100-MR7-891	CARBURETOR ASSY. (VDHAB B)	-	1	-	2100971	SW

G 6

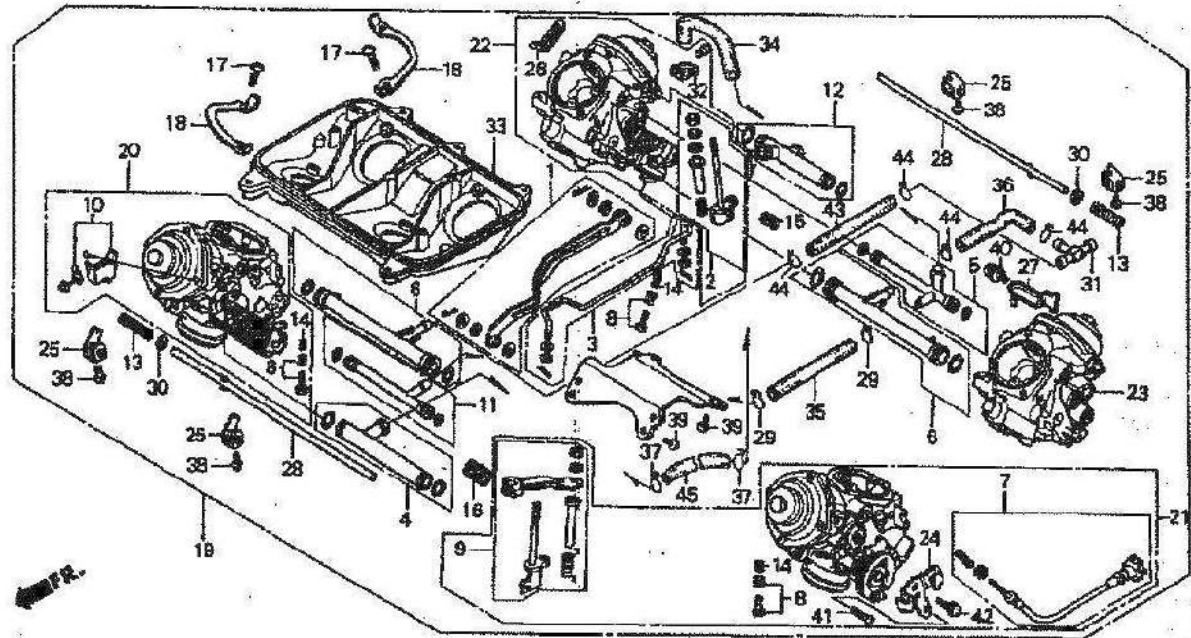
E-16

**Carburetor
(Assy.)**

**Carburetur
(Ens.)**

**Vergaser
(Kompl.)**

**Carburador
(Ens.)**



2

Service item	F.R.T.	Ref. No.	Part No.	Description	Reqd. No. VFR750A	Serial No.	Area code
		20	18101-MR7-802	CARBURETOR ASSY., R. FR.	1		AR,B,CM,E,ED,F,FI,G,H,IT N,NZ,SD,SP
			18101-MR7-881	CARBURETOR ASSY., R. FR.	1	VDH0B	AR,B,CM,E,ED,F,G,IT,SD,SP U
			18101-MR7-891	CARBURETOR ASSY., R. FR.	1	VDH0C	U
			18101-MR7-803	CARBURETOR ASSY., R. FR.	1	VDH0B	SW
			18101-MR7-882	CARBURETOR ASSY., R. FR.	1	VDH0C	AR,B,CM,E,ED,F,G,IT,SD,SP U
			18101-MR7-890	CARBURETOR ASSY., R. FR.	1		SW
		21	18102-MR7-602	CARBURETOR ASSY., L. FR.	1		AR,B,CM,E,ED,F,FI,G,H,IT N,NZ,SD,SP
			18102-MR7-681	CARBURETOR ASSY., L. FR.	1		U
			18102-MR7-691	CARBURETOR ASSY., L. FR.	1		SW
			18102-MR7-603	CARBURETOR ASSY., L. FR.	1	VDH0B	AR,B,CM,E,ED,F,G,IT,SD,SP
			18102-MR7-682	CARBURETOR ASSY., L. FR.	1	VDH0C	U
			18102-MR7-604	CARBURETOR ASSY., L. FR.	1	VDH0B	AR,B,CM,E,ED,F,G,IT,SD,SP
			18102-MR7-683	CARBURETOR ASSY., L. FR.	1	VDH0C	U

G 7

E-16

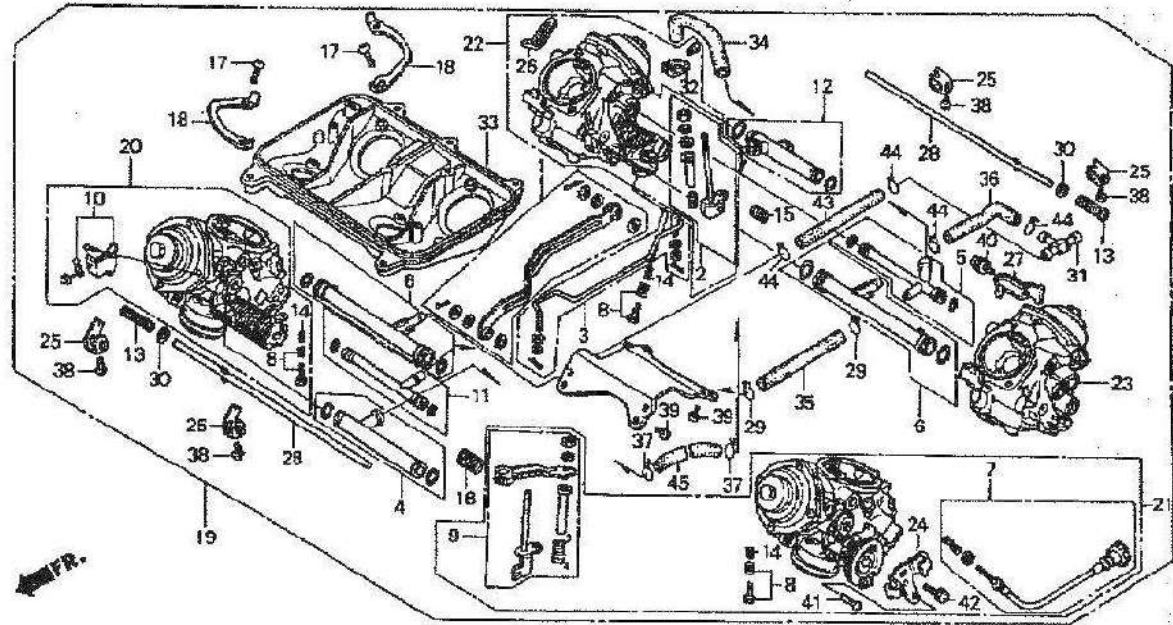
Carburetor
(Assy.)

Carbureteur
(Ens.)

Vergaser
(Kompl.)

Carburador
(Ens.)

2



MR73-B1600A

Service item	F.R.T.	Ref. No.	Part No.	Description	Reqd. No. VFR750R	Serial No.	Area code
		* 21)	16102-MR7-890	CARBURETOR ASSY., L. FR.	1		SW
		22	16103-MR7-602	CARBURETOR ASSY., R. RR.	1		AR, B, CM, E, ED, F, FI, G, H, IT N, NZ, SD, SP
			16103-MR7-681	CARBURETOR ASSY., R. RR.	1		U
			16103-MR7-691	CARBURETOR ASSY., R. RR.	1		SW
			16103-MR7-603	CARBURETOR ASSY., R. RR.	1	1	VDH0B [] AR, B, CM, E, ED, F, G, IT, SD, SP
			16103-MR7-682	CARBURETOR ASSY., R. RR.	1		VDH0C [] U
		*	16103-MR7-604	CARBURETOR ASSY., R. RR.	1	1	VDH0B [] AR, B, CM, E, ED, F, G, IT, SD, SP
		*	16103-MR7-683	CARBURETOR ASSY., R. RR.	1		VDH0C [] U
		*	16103-MR7-890	CARBURETOR ASSY., R. RR.	1		SW
		23	16104-MR7-602	CARBURETOR ASSY., L. RR.	1		AR, B, CM, E, ED, F, FI, G, H, IT N, NZ, SD, SP
			16104-MR7-681	CARBURETOR ASSY., L. RR.	1		U
			16104-MR7-691	CARBURETOR ASSY., L. RR.	1		SW
			16104-MR7-603	CARBURETOR ASSY., L. RR.	1	1	VDH0B [] AR, B, CM, E, ED, F, G, IT, SD, SP
			16104-MR7-682	CARBURETOR ASSY., L. RR.	1		VDH0C [] U
		*	16104-MR7-604	CARBURETOR ASSY., L. RR.	1	1	VDH0B [] AR, B, CM, E, ED, F, G, IT, SD, SP
		*	16104-MR7-683	CARBURETOR ASSY., L. RR.	1		VDH0C [] U

G 8

E-16

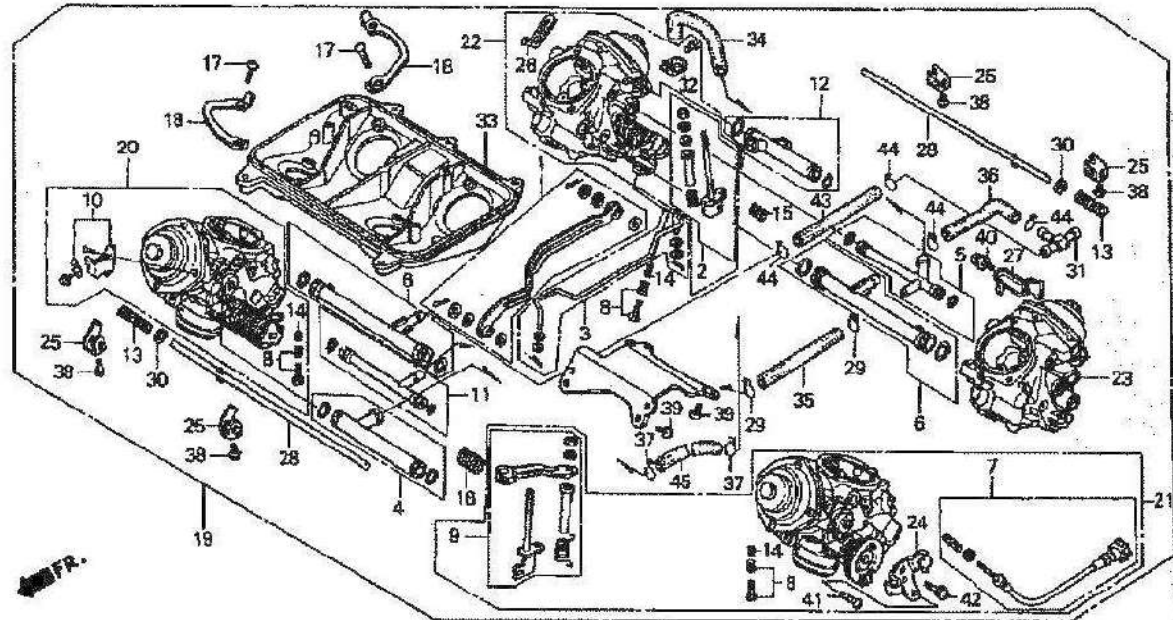
Carburetor
(Assy.)

Carbureteur
(Ens.)

Vergaser
(Kompl.)

Carburador
(Ens.)

2



Service item	F.R.T.	Ref. No.	Part No.	Description	Reqd. No.			Serial No.	Area code
					VFR750X	K	L		
		* 23)	16104-MR7-890	CARBURETOR ASSY., L. RR.	-	1	-	-----	SW
		24	18119-ML0-722	STAY, WIRE	1	1	1		
		25	18120-MR7-004	LEVER, STARTER	4	4	4		
		26	16134-MF2-711	JOINT	1	1	1		
		27	16134-MR7-801	BINDER	-	1	1		
		28	18145-MR7-004	SHAFT COMP., STARTER LINK	2	2	2		
		29	16163-MB3-671	CLIP, TUBE	2	2	2		
		30	16178-ML7-004	WASHER, PLAIN	3	3	3		
		31	16180-MB6-651	JOINT	1	1	1		
		32	16188-MG8-791	PLATE, SETTING	1	1	1		
		33	16188-MR7-004	BASE, CLEANER	1	1	1		
		34	16199-MF2-711	TUBE	1	1	1		
		35	16199-MR7-004	TUBE	1	1	1		
		38	16971-460-731	TUBE, FUEL, 7.3X90	1	1	1		

G 9

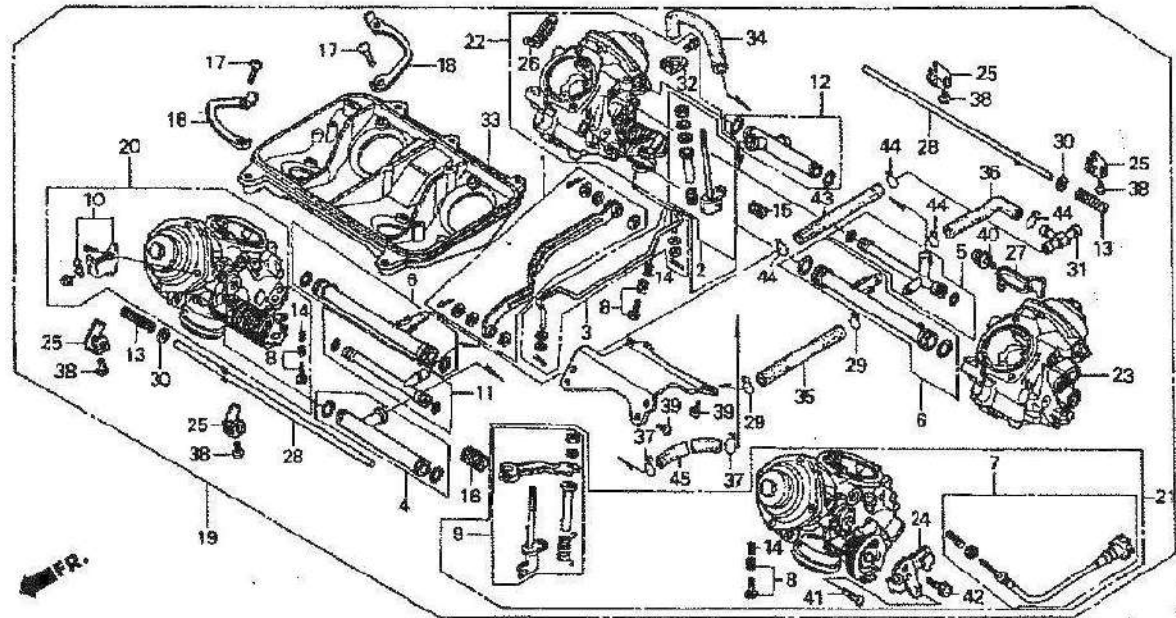
E-16

Carburator
(Assy.)

Carbureteur
(Ens.)

Vergaer
(Kompl.)

Carburador
(Ens.)



MR73-E1600A

2

Service Item	F.R.T.	Ref. No.	Part No.	Description	Reqd. No.			Serial No.	Area code
					V	K	W		
		37	17369-KB4-870	CLIP, BREATHER TUBE	2	2	2		
		38	93600-04010-0A	SCREW, PAN, 4X 10	4	4	4		
		39	93500-05012-0G	SCREW, PAN, 5X 12	8	8	8		
		40	93892-04008-00	SCREW-WASHER, 4XB	-	1	1		
		41	93892-04016-00	SCREW-WASHER, 4X10	1	1	1		
		42	93892-05012-00	SCREW-WASHER, 5X 12	1	1	1		
		43	95001-75115-40	TUBE, FUEL, 7.3X115					
				(95001-75001-60M)	1	-	-		
			15199-MR7-601	TUBE	-	1	1		
		44	95002-02120	CLIP, TUBE (B 12)	4	4	4		
		45	95005-12210-10	TUBE, 12X210					
				(95005-12001-10M)	1	1	1		

G 10

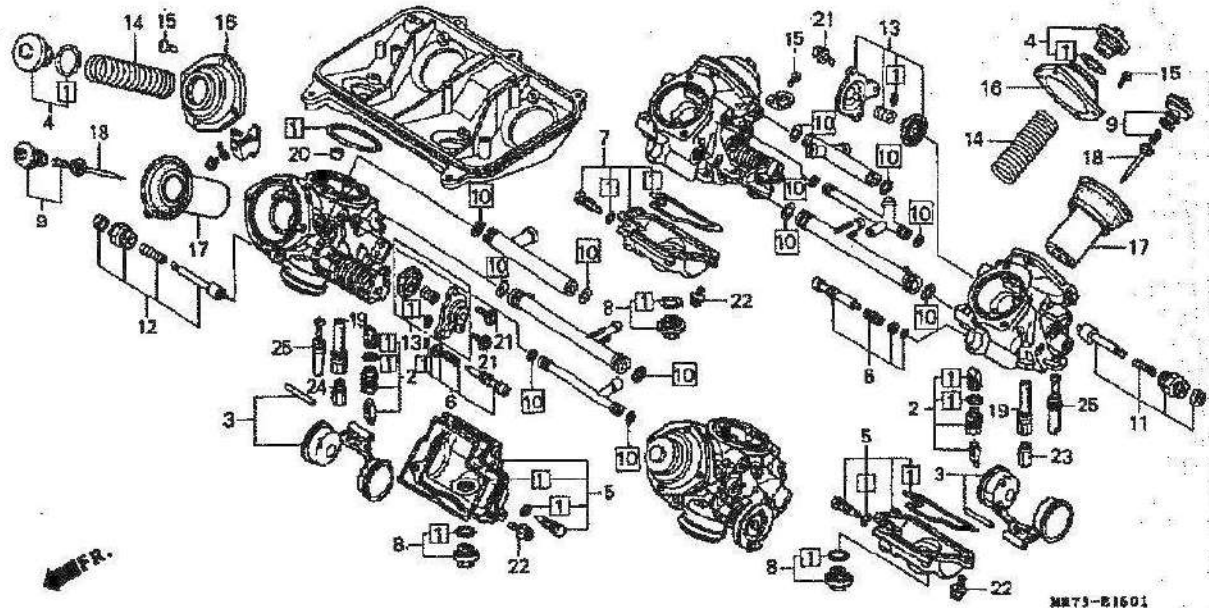
E-16-1

**Carburetor
(Component parts)**

**Carbureteur
(Pièces composants)**

**Vergaser
(Einzelteile)**

**Carburador
(Piezas componentes)**



MR73-B1601

2

Service item	F.R.T.	Ref. No.	Part No.	Description	Reqd. No.		Serial No.	Area code
					VFR750R	K L		
FLOAT SET (ADD 0.2 FOR EACH.) .HOLDER, FR. NEEDLE JET (ADD 0.2 FOR EACH.) .JET, MAIN (ADD 0.2 FOR EACH.)	1.2	1	16010-MR7-004	GASKET SET A	4	-		
CHAMBER SET A, FLOAT	1.0	2	16011-MR7-004	SEAT SET, VALVE	4	4	VDHOB	AR,B,CM,E,ED,F,G,IT,SD,SP
VALVE SET, STARTER (* 2,3 SIDE 1,4)	0.9	3	16013-ML7-004	FLOAT SET	4	4	VDHOC	U
PISTON COMP., VACUUM (FR. CYLINDER SIDE 1,1) (ADD 0.2 FOR EACH.) .NEEDLE, JET (FR. CYLINDER SIDE 1,2) (ADD 0.2 FOR EACH.)	0.6	4	16014-MR7-004	CAP SET, TOP	4	4	VDHOB C	AR,B,CM,E,ED,F,G,IT,SD,SP
		5	16015-MR7-014	CHAMBER SET A, FLOAT	3	-	VDHOC C	U
			16015-MR7-024	CHAMBER SET A, FLOAT	3	3		SW

G 11

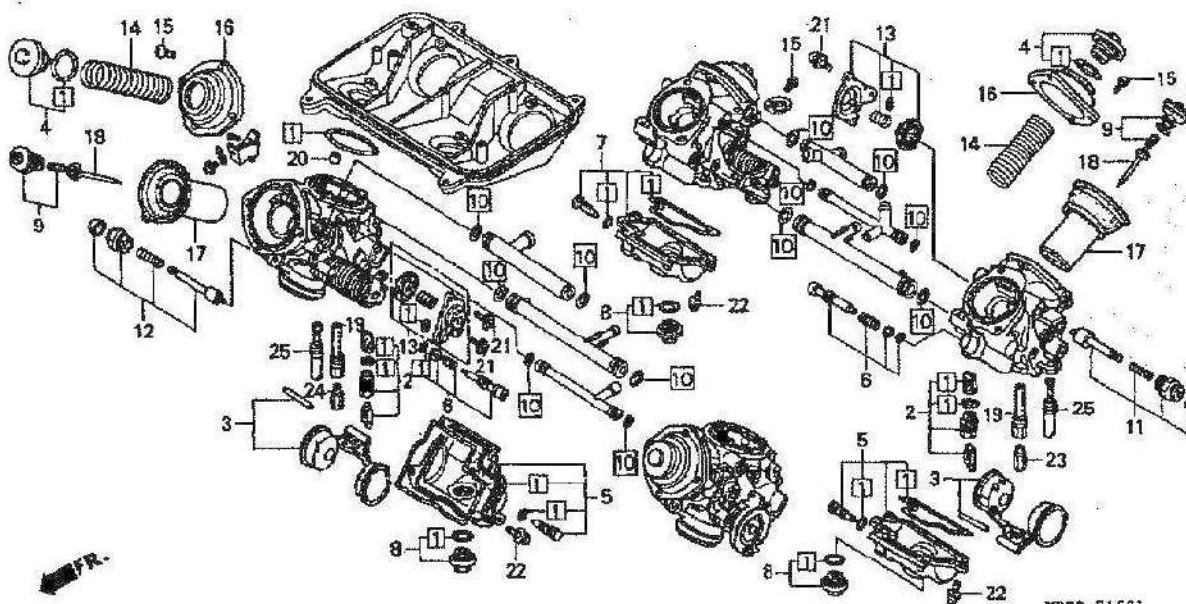
E-16-1

Carburetor
(Component parts)

Carbureteur
(Pièces composants)

Vergaser
(Einzelteile)

Carburador
(Piezas componentes)



MR73-E1601

2

Service item	F.R.T.	Ref. No.	Part No.	Description	Reqd. No.			Serial No.	Area code
					VFR760R	K	L		
		6	16016-MLO-721	SCREW SET A	4	4	4	-----	AR,B,CM,E,ED,F,FI,G,I,IT N,NZ,SD,SP,U
		*	16016-MR7-892	SCREW SET A	4	-	-	-----	SW
		7	16023-MR7-004	CHAMBER SET B, FLOAT	1	-	-	-----	SW
			16025-MR7-601	CHAMBER SET A, FLOAT	-	1	1	-----	AR,B,CM,E,ED,F,G,I,IT,SD,SP U
			16023-MR7-601	CHAMBER SET A, FLOAT	-	1	-	-----	SW
		8	16024-MR7-004	CAP SET, TOP	4	4	4	-----	
		9	16037-MK7-771	PLATE SET, VALVE	4	4	4	-----	
		10	16040-MR7-004	GASKET SET B	4	4	4	-----	
		11	16048-MG9-681	VALVE SET, STARTER	2	2	2	-----	
		12	16047-ML7-004	VALVE SET B, STARTER	2	2	2	-----	
		13	16049-MR7-004	VALVE SET, AIR CUT	4	4	4	-----	
		14	16050-MR7-004	SPRING, COMPRESSION COIL	4	4	4	-----	

G 12

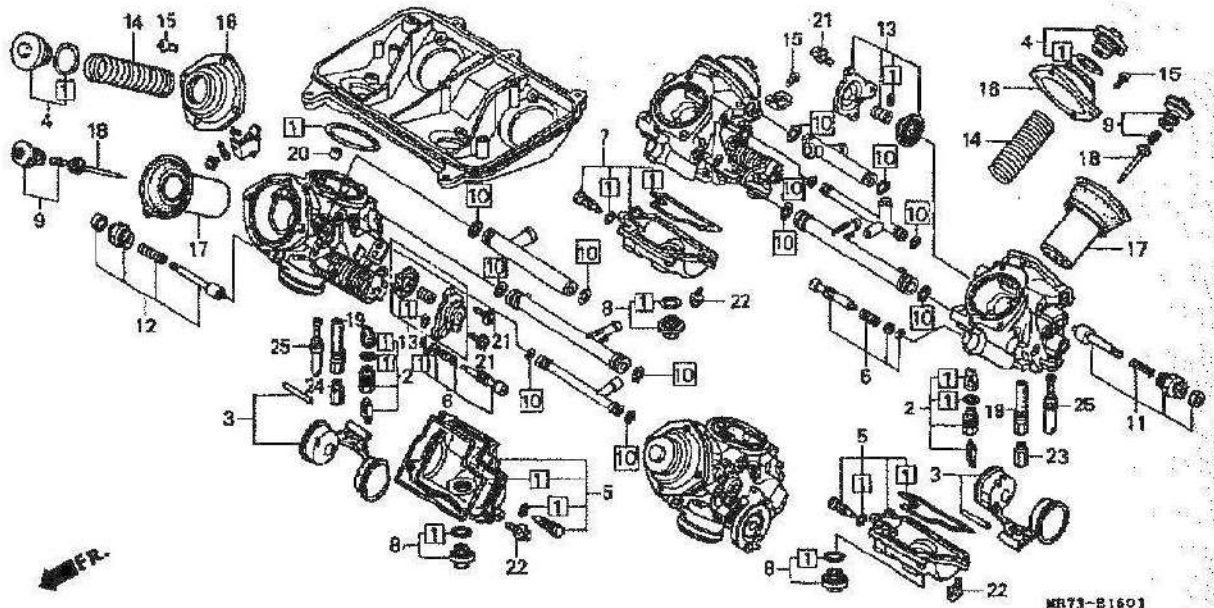
E-16-1

Carburetor
(Component parts)

Carbureteur
(Pièces composants)

Vergaser
(Einzelteile)

Carburador
(Piezas componentes)



MR73-B1601

2

Service item	F.R.T.	Ref. No.	Part No.	Description	Reqd. No. VFR750R	Serial No.	Area code
		15	16080-MR7-0D4	SCREW, PAN	16 16 16		
		16	16107-MR7-0D4	TOP COMP.	4 4 4		
		17	16111-MR7-0D4	PISTON COMP., VACUUM	4 4 4		
		18	16151-MR7-0D4	NEEDLE, JET	4 4 4		AR,B,CM,E,ED,F,FL,G,H,IT N,NZ,SD,SP,U
					4 - -		SW
					- 4 -		SW
		19	16165-MB1-771	HOLDER, FR. NEEDLE JET	4 4 4		
		20	16178-MB0-671	PIN, KNOCK	8 8 8		
		21	93892-04008-00	SCREW-WASHER, 4X8	9 9 9		
		22	93892-04016-00	SCREW-WASHER, 4X16	16 16 16		
		23	99101-357-1120	JET, MAIN, # 112	2 2 2		AR,B,CM,E,ED,F,FL,G,H,IT N,NZ,SD,SP,SW
					2 - -		U
			99101-357-1100	JET, MAIN, # 110	- 2 -		U

G 13

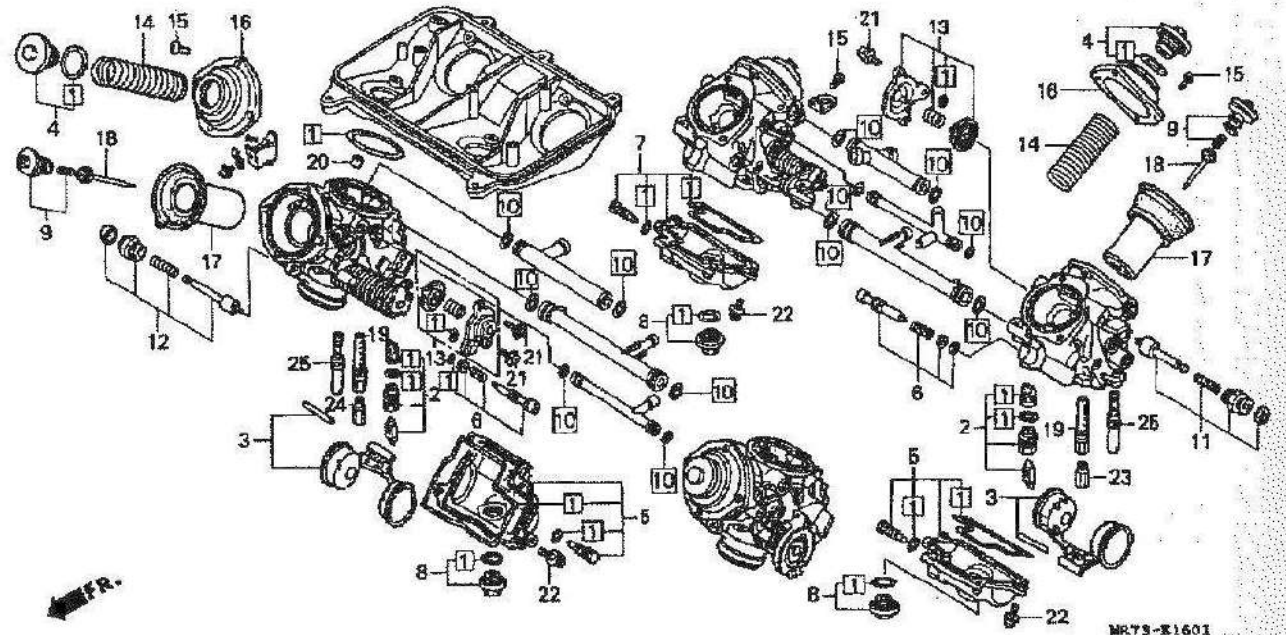
E-16-1

**Carburetor
(Component parts)**

**Carbureteur
(Pièces composants)**

**Vergaser
(Einzelteile)**

**Carburador
(Piezas componentes)**



MR73-K1601

2

Service item	F.R.T.	Ref. No.	Part No.	Description	Req. No. VFR700H J K L	Serial No.	Area code
		24	99101-357-1150	JET, MAIN, # 115	2 2 2		AR,B,C,M,E,ED,F,FI,G,H,I,T N,NZ,SD,SP,SW
			99101-357-1120	JET, MAIN, # 112	2 - -		U
		25	99103-437-0380	JET, SLOW, # 38	4 4 4		U

G 14

EOP-1

Gasket kit A

Trousse de joint A

Dichtung Satz A

Equipo de empacadura A

2

Service item	F.R.T.	Ref. No.	Part No.	Description	Qty	Reqd. No. VFR750R	Serial No.	Area code
			061A1-MR7-010	GASKET KIT A	1	1 1		AR,B,CM,E,ED,F,FI,G,H,IT N,NZ,SP,U
					1	- -		SW
		*	061A1-MR7-020	GASKET KIT A	-	1 -	2100970	SW
			061A1-MR7-780	GASKET KIT A (COMPONENT PARTS)	-	1 -	2100971	SW
		1	12209-ML0-722	SEAL, VALVE STEM (ARAI)	16	16 16		SD
		2	12251-MR7-003	GASKET, CYLINDER HEAD	2	2 2		
		3	12323-MR7-000	GASKET, BREATHER PLATE	1	1 1		AR,B,CM,E,ED,F,FI,G,H,IT N,NZ,SP,U
					1	- -		SW
					-	1 -	2100970	SW
			12323-MR7-780	GASKET, BREATHER PLATE	1	1 -		SD
					-	1 -	2100971	SW

G 15

EOP-1

Gasket kit A

Trousse de joint A

Dichtung Satz A

Equipo de empacadura A

2

Service item	F.R.T.	Ref. No.	Part No.	Description	Reqd. No.			Serial No.	Area code
					VFR750R	K	L		
		4	12391-MR7-000	GASKET, HEAD COVER	2	2	2		
		5	12392-MR7-000	GASKET B, CYLINDER HEAD COVER	4	4	4		
		8	18291-216-000	GASKET A, EX. PIPE	4	4	4	AR,B,CM,E,ED,F,FL,G,H,IT N,NZ,SP,SW,U
			18291-MN6-650	GASKET, EX. PIPE	4	4	-	SD
		7	91309-ML7-003	O-RING, 9.6X2.6 (ARAI)	1	1	1		
		8	91313-393-003	O-RING, 7.8X2.2 (ARAI)	4	4	4		

G 16

EOP-2

Gasket kit B

Trousse de joint B

Dichtung Satz B

Equipo de empacadura B

2

Service item	F.R.T.	Ref. No.	Part No.	Description	Prod. No.			Serial No.	Area code
					VFR750R	L	S		
			061B1-MR7-000	GASKET KIT B	1	1	1		AR,B,CM,E,ED,F,FI,G,H,IT N,NZ,SP,U
					1	-	-		SW
					-	1	-	2100970	SW
			061B1-MR7-780	GASKET KIT B (COMPONENT PARTS)	1	1	-		SD
					-	1	-	2100971	SW
		1	11316-ML7-000	GASKET, OIL PAN	1	1	1		AR,B,CM,E,ED,F,FI,G,H,IT N,NZ,SP,U
					1	-	-		SW
					-	1	-	2100970	SW
			11316-MR7-780	GASKET, OIL PAN	1	1	-		SD
					-	1	-	2100971	SW
		2	11343-ML7-000	GASKET, L. COVER	1	1	1		AR,B,CM,E,ED,F,FI,G,H,IT N,NZ,SP,U
					1	-	-		SW
					-	1	-	2100970	SW

H 1

EOP-2

Gasket kit B

Trousse de joint B

Dichtung Satz B

Equipo de empacadura B

2

Service item	F.R.T.	Ref. No.	Part No.	Description	Reqd. No. VER750R K	Serial No.	Area code
		(2)	11343-MR7-780	GASKET, L. CRANKCASE COVER	1 1 -	SD
					- 1 -	2100971	SW
		3	11394-ML7-000	GASKET, R. COVER	1 1 1	AR,B,CM,E,ED,F,FIG,H,IT N,NZ,SP,U
					1 - -	SW
			11394-MR7-780	GASKET, R. CRANKCASE COVER	- 1 -	2100970	SW
					1 1 -	SD
					- 1 -	2100971	SW
		4	11632-ML7-000	GASKET, GEARSHIFT COVER	1 1 1	AR,B,CM,E,ED,F,FIG,H,IT N,NZ,SP,U
					1 - -	SW
					- 1 -	2100970	SW
			11632-MR7-780	GASKET, GEARSHIFT COVER	1 1 -	SD
					- 1 -	2100971	SW

H 2

EOP-2

Gasket kit B

Trousse de joint B

Dichtung Satz B

Equipo de empaadura B

2

Service item	F.R.T.	Ref. No.	Part No.	Description	Reqd. No. VFR750R	Serial No.	Area code
		5	11636-MR7-000	GASKET, A.C. GENERATOR COVER	1 1 1		AR,B,CM,E,ED,F,FI,G,H,IT N,NZ,SP,U
					1 - -		SW
			11636-MR7-780	GASKET, A.C. GENERATOR COVER	- 1 -	2100970	SW
					1 1 -		SD
					- 1 -	2100971	SW
		6	22862-KE7-000	GASKET, SLAVE CYLINDER	1 1 1		AR,B,CM,E,ED,F,FI,G,H,IT N,NZ,SP,U
					1 - -		SW
			22862-MR7-780	GASKET, SLAVE CYLINDER	- 1 -	2100970	SW
					1 1 -		SD
					- 1 -	2100971	SW
		7	90443-MB0-000	WASHER, SEALING, 10MM	1 1 1		
		8	90463-ML7-000	WASHER, SEALING, 6.5MM	2 2 2		
		9	91262-429-000	O-RING, 116X2	1 1 1		

H 3

EOP-2

Gasket kit B

Trousse de joint B

Dichtung Satz B

Equipo de empaadura B

2

Service item	F.R.T.	Ref. No.	Part No.	Description	Reqd. No.			Serial No.	Area code
					VPR760R	K	L		
		10	91301-MB0-000	GASKET, CONNECTING CAP	2	2	2		
		11	91301-ML7-003	O-RING, 48.1X3.6 (ARAI)	1	1	1		
		12	91301-MR7-000	O-RING, 22X27X2	1	1	1		
		13	91301-147-023	O-RING, 18.3X2.3 (ARAI)	2	2	2		
		14	91301-250-000	O-RING, 21.5MM	1	1	1		
		15	91302-MB0-013	O-RING, 32.95X2.62 (ARAI)	1	1	1		
		16	91307-ML7-004	O-RING, 6X2 (NGK)	2	2	2		
		17	91309-MA6-000	O-RING	1	1	1		
		18	91309-MB0-003	O-RING, 14.8X3.7 (ARAI)	2	2	2		
		19	91311-KE8-000	O-RING, 47.5X2	1	1	1		
		20	91312-KE8-003	O-RING, 17X3 (ARAI)	1	1	1		
		21	91312-PC6-003	O-RING, 57.8X2.4	1	1	1		
		22	91313-MB0-003	O-RING, 14.7X2.2 (ARAI)	1	1	1		
		23	91313-393-003	O-RING, 7.8X2.2 (ARAI)	1	1	1		
		24	91316-MJ8-003	O-RING, 8.4X2.4	1	1	1		



EOP-2

Gasket kit B

Trousse de joint B

Dichtung Satz B

Equipo de empacadura B

2

Service item	F.R.T.	Ref. No.	Part No.	Description	Reqt. No.			Serial No.	Area code
					VER750R	K	L		
		25	81331-PC9-003	O-RING, 21.2X2.4 (ARAI)	1	1	1		
			91331-PC9-004	O-RING, 21.2X2.4 (NOK)	1	1	1		
		26	84109-12000	WASHER, DRAIN PLUG, 12MM	1	1	1		

I 1

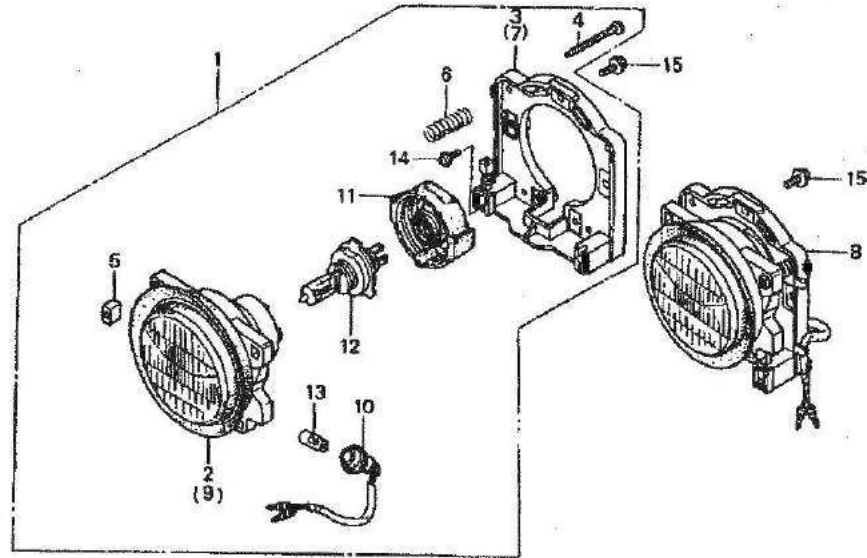
F-1

Headlight
(VFR750RJ-NZ,U • RK-U)

Phare
(VFR750RJ-NZ,U • RK-U)

Scheinwerfer
(VFR750RJ-NZ,U • RK-U)

Faro delantero
(VFR750RJ-NZ,U • RK-U)



MR73-70100

3

Service item	F.R.T.	Ref. No.	Part No.	Description	Reqd. No.			Serial No.	Area code
					VFR750R	J	K		
HEADLIGHT ASSY.	0.4	1	33100-MR7-003	HEADLIGHT ASSY., R.	1	1	-	-	NZ,U
(ADD 0.1 FOR EACH)		2	33101-MR7-003	HEADLIGHT UNIT, R.	1	1	-	-	NZ,U
HEADLIGHT UNIT	0.5	3	33105-MR7-003	HOUSING COMP., R.	1	1	-	-	NZ,U
(ADD 0.2 FOR EACH.)		4	33107-MR7-003	SCREW, BEAM ADJUSTING	4	4	-	-	NZ,U
HOUSING COMP.,		5	33108-MR7-003	NUT, BEAM ADJUSTING	4	4	-	-	NZ,U
(ADD 0.2 FOR EACH.)									
SOCKET COMP., POSITION LIGHT	0.3	6	33109-MR7-003	SPRING, COIL	4	4	-	-	NZ,U
BULB, HEADLIGHT	0.1	7	33115-MR7-003	HOUSING COMP., L.	1	1	-	-	NZ,U
BULB, WEDGE BASE		8	33150-MR7-003	HEADLIGHT ASSY., L.	1	1	-	-	NZ,U
		9	33151-MR7-003	HEADLIGHT UNIT, L.	1	1	-	-	NZ,U
		10	33170-MR7-003	SOCKET COMP., POSITION LIGHT	2	2	-	-	NZ,U
		11	33180-MR7-003	COVER, RUBBER	2	2	-	-	NZ,U
		12	34901-MC7-501	BULB, HEADLIGHT (12V 60/55W)	2	2	-	-	NZ,U
		13	34908-GA7-701	BULB, WEDGE BASE (12V 3.4W)	2	2	-	-	NZ,U

I 2

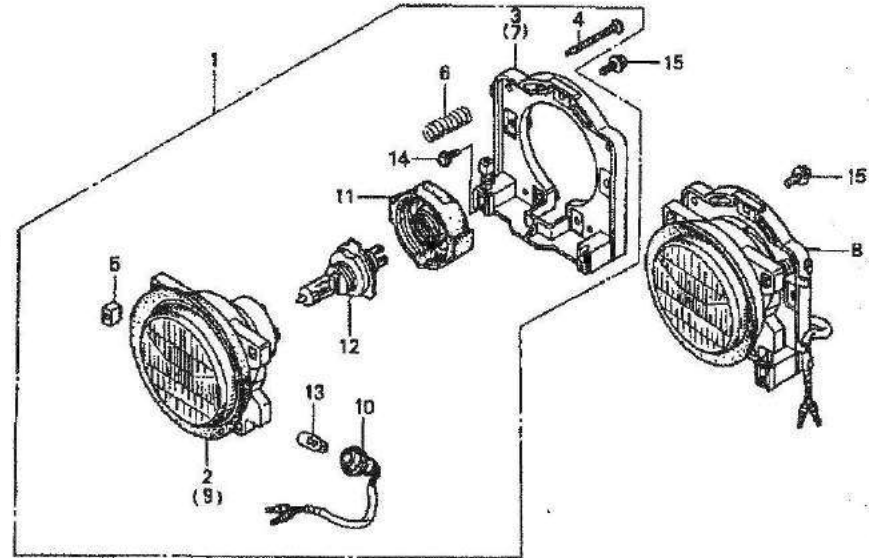
F-1

Headlight
(VFR750RJ-NZ,U • RK-U)

Phare
(VFR750RJ-NZ,U • RK-U)

Scheinwerfer
(VFR750RJ-NZ,U • RK-U)

Faro delantero
(VFR750RJ-NZ,U • RK-U)



BR73-P0100

3

Service item	F.R.T.	Ref. No.	Part No.	Description	Reqd. No. VFR750R	Serial No.	Area code
		14	90148-MG9-771	SCREW, TAPPING, 4X 16	2	2	NZ,U
		15	96300-06012-00	BOLT, FLANGE, 6X 12	6	6	NZ,U

I 3

F-1-1

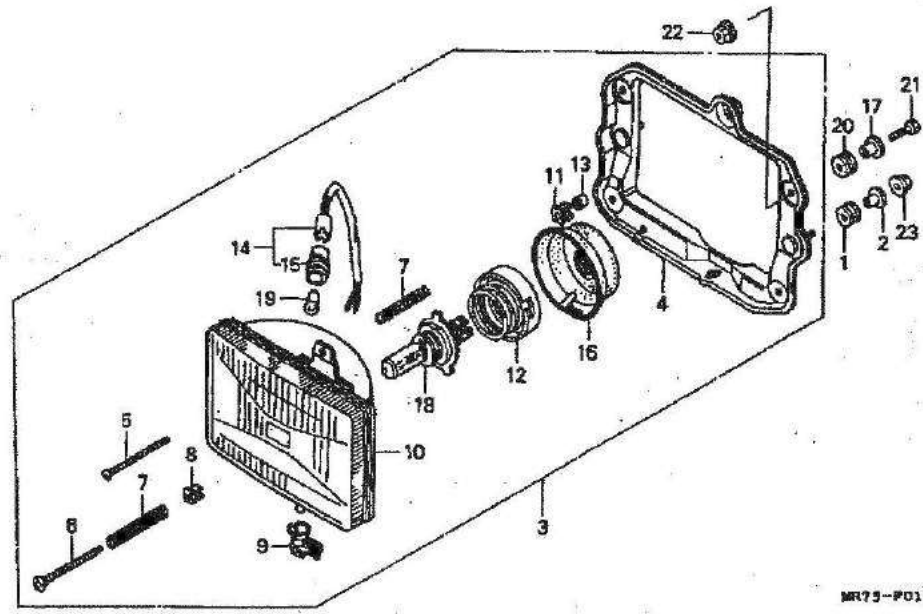
Headlight
(VFR760RJ,K-SW)

Phare
(VFR750RJ,K-SW)

Scheinwerfer
(VFR760RJ,K-SW)

Faro delantero
(VFR750RJ,K-SW)

FR.



MR75-P0101A

3

Service item	F.R.T.	Ref. No.	Part No.	Description	Reqd. No. VFR750R	Serial No.	Area code
HEADLIGHT ASSY.	0.4	1	19051-KA4-000	RUBBER, RADIATOR MOUNTING	2 2	-----	SW
RING COMP., MOUNTING	0.5	2	19052-MB0-000	COLLAR, RADIATOR MOUNTING	2 2	-----	SW
HEADLIGHT UNIT		3	33106-MR7-691	HEADLIGHT ASSY.	1 1	-----	SW
SOCKET ASSY., POSITION LIGHT	0.3	4	33101-KV3-003	RING COMP., MOUNTING	1 1	-----	SW
BULB, HEADLIGHT	0.1	5	33103-KJ9-003	SCREW, BEAM ADJUSTING, 4MM	1 1	-----	SW
BULB, POSITION		6	33103-KV3-003	SCREW, BEAM ADJUSTING, 5MM	1 1	-----	SW
		7	33107-KJ9-003	SPRING, BEAM ADJUSTING	2 2	-----	SW
		8	33107-KV3-003	NUT, BEAM ADJUSTING	1 1	-----	SW
		9	33107-MJ0-003	HOLDER, PIVOT	1 1	-----	SW
		10	33110-MR7-691	HEADLIGHT UNIT	1 1	-----	SW

I 4

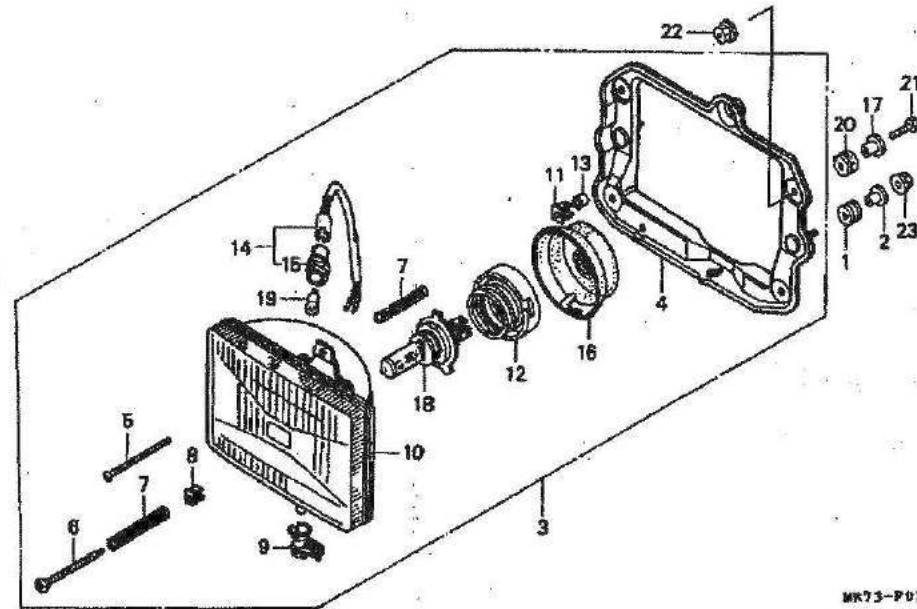
F-1-1

**Headlight
(VFR750RJ,K-SW)**

**Phare
(VFR750RJ,K-SW)**

**Scheinwerfer
(VFR750RJ,K-SW)**

**Faro delantero
(VFR750RJ,K-SW)**



MR73-P0101A

3

Service Item	F.R.T.	Ref. No.	Part No.	Description	Reqd. No.			Serial No.	Area code
					VFR750R	K	L		
		11	33117-KJ9-003	NUT, BEAM ADJUSTING	1	1	-	SW
		12	33131-471-901	HOLDER, HEADLIGHT SOCKET	1	1	-	SW
		13	33138-428-830	COVER, SCREW	1	1	-	SW
		14	33150-MR7-891	SOCKET ASSY., POSITION LIGHT	1	1	-	SW
		15	33155-168-003	RUBBER, JOINT	1	1	-	SW
		16	33180-471-901	COVER, RUBBER	1	1	-	SW
		17	33715-MC4-610	COLLAR, TAILLIGHT SETTING	2	2	-	SW
		18	34901-MC7-601	BULB, HEADLIGHT (12V 60/55W)	1	1	-	SW
		19	34903-388-611	BULB, POSITION (12V 4W)	1	1	-	SW
		20	80101-283-000	RUBBER, RR. FENDER CUSHION	2	2	-	SW
		21	92101-05020-OH	BOLT, HEX., 5X20	2	-	-	SW
			92101-05020-OA	BOLT, HEX., 5X20	-	2	-	SW

I 5

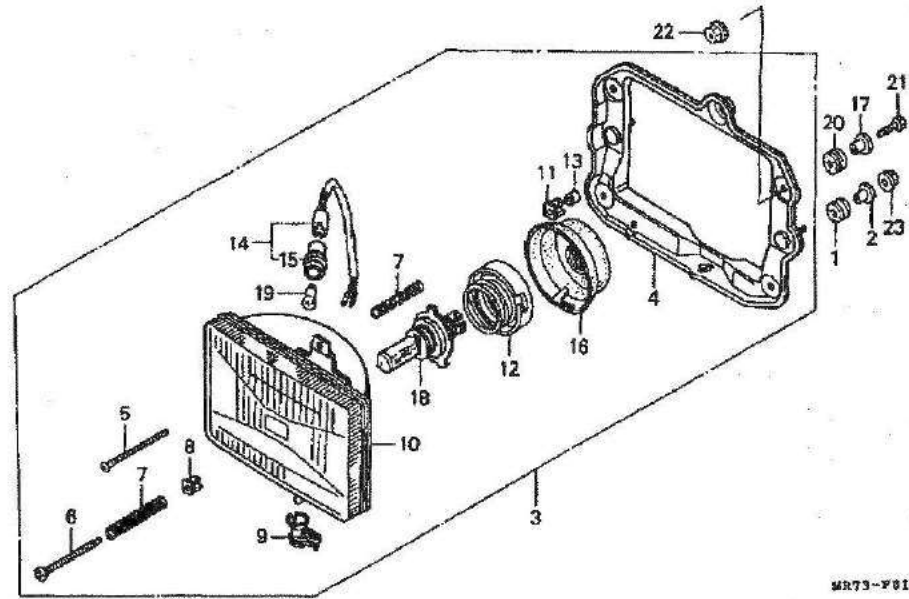
F-1-1

Headlight
(VFR750RJ,K-SW)

Phare
(VFR750RJ,K-SW)

Scheinwerfer
(VFR750RJ,K-SW)

Faro delantero
(VFR750RJ,K-SW)



MRT3-F8101A

3

Service item	F.R.T.	Ref. No.	Part No.	Description	Reqd. No. VFR750R	Serial No.	Area code
		22	94050-05000	NUT, FLANGE, 5MM	2 2 -		SW
		23	94050-06000	NUT, FLANGE, 8MM	2 2 -		SW

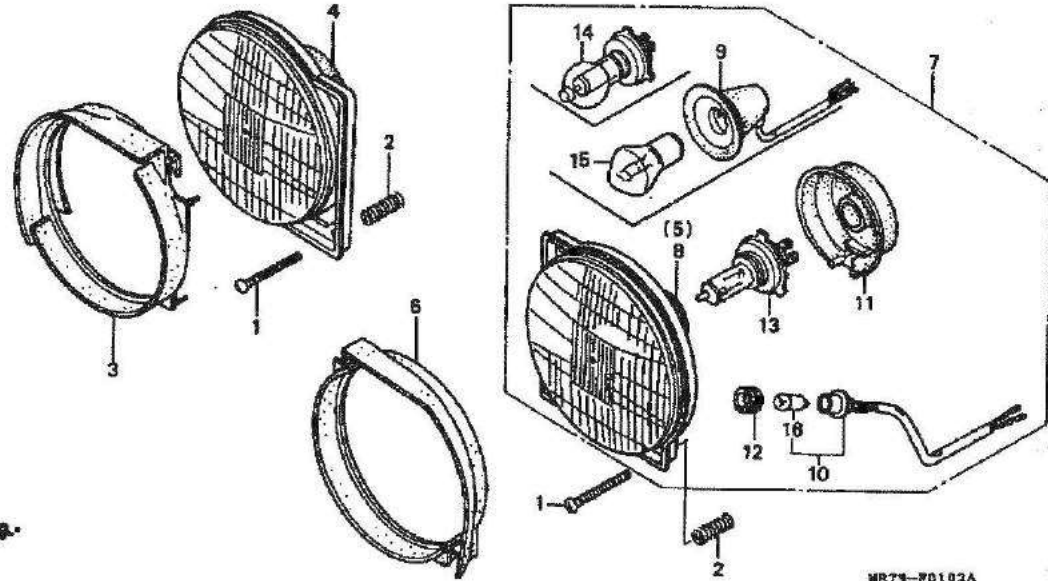
F-1-2

Headlight
(VFR750R-Except J-NZ,
SW,U • K-SW,U)

Phare
(VFR750R-Sauf J-NZ,SW,
U • K-SW,U)

Scheinwerfer
(VFR750R-Ausgenommen
J-NZ,SW,U • K-SW,U)

Faro delantero
(VFR750R-Salvo J-NZ,
SW,U • K-SW,U)



3

Service item	F.R.T.	Ref. No.	Part No.	Description	Reqd. No.			Serial No.	Area code
					VFR750R	K	6		
HEADLIGHT COMP. (ADD 0.1 FOR EACH.)	0.4	1	33103-MR7-600	SCREW, BEAM ADJUSTING	6	8	6	AR,B,CM,E,ED,F,FI,G,H,IT N,SD,SP	
HEADLIGHT UNIT (ADD 0.1 FOR EACH.)		2	33108-MJ0-000	SPRING, ADJUSTING	6	6	6	AR,B,CM,E,ED,F,FI,G,H,IT N,SD,SP	
SOCKET ASSY., POSITION	0.3	3	33110-MJ6-701	SEAL, R. HEADLIGHT	1	1	1	AR,B,CM,E,ED,F,FI,G,H,IT N,SD,SP	
BULB, HEADLIGHT	0.1	4	33110-MR7-601	HEADLIGHT COMP., R.	1	1	1	E	
.BULB, POSITION			33110-MR7-611	HEADLIGHT COMP., R.	1	1	-	AR,B,FI,G,N,SD	
			33110-MR7-621	HEADLIGHT COMP., R.	1	1	-	F	
			33110-MR7-641	HEADLIGHT COMP., R.	1	1	-	ED,SP	
			33110-MR7-660	HEADLIGHT COMP., R.	1	-	-	H	
			33110-MR7-721	HEADLIGHT COMP., R.	1	1	-	CM	
			33110-MR7-781	HEADLIGHT COMP., R.	1	1	-	IT	
		5	33111-MR7-601	HEADLIGHT UNIT, R.	1	1	1	E	
			33111-MR7-611	HEADLIGHT UNIT, R.	1	1	-	AR,B,F,FI,G,N,SD	
			33111-MR7-641	HEADLIGHT UNIT, R.	1	1	-	ED,SP	
			33111-MR7-660	HEADLIGHT UNIT, R.	1	-	-	H	

I 7

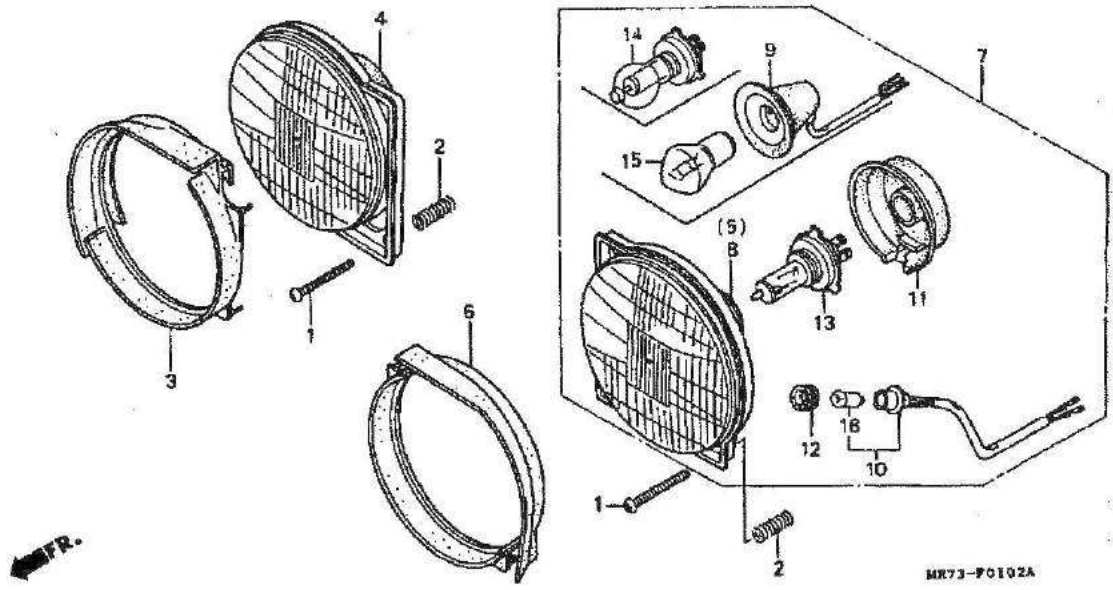
F-1-2

Headlight
(VFR750R-Except J-NZ,
SW,U • K-SW,U)

Phare
(VFR750R-Sauf J-NZ,SW,
U • K-SW,U)

Scheinwerfer
(VFR750R-Ausgenommen
J-NZ,SW,U • K-SW,U)

Faro delantero
(VFR750R-Salvo J-NZ,
SW,U • K-SW,U)



3

Service item	F.R.T.	Ref. No.	Part No.	Description	Reas. No. VFR760R			Serial No.	Area code
					K	L			
		(5)	33111-MR7-721	HEADLIGHT UNIT, R.	1	1	-		CM
			33111-MR7-761	HEADLIGHT UNIT, R.	1	1	-		IT
		6	33115-MJ6-701	SEAL, L. HEADLIGHT	1	1	1		AR,B,CM,E,ED,F,FI,G,H,IT N,SD,SP
		7	33150-MR7-601	HEADLIGHT COMP., L.	1	1	1		E
			33150-MR7-611	HEADLIGHT COMP., L.	1	1	-		AR,B,ED,FI,G,H,N,SD,SP
			33150-MR7-621	HEADLIGHT COMP., L.	1	1	-		F
			33150-MR7-721	HEADLIGHT COMP., L.	1	1	-		CM
			33150-MR7-761	HEADLIGHT COMP., L.	1	1	-		IT
		8	33151-MR7-601	HEADLIGHT UNIT, L.	1	1	1		E
			33151-MR7-611	HEADLIGHT UNIT, L.	1	1	-		AR,B,ED,F,FI,G,H,N,SD,SP
			33151-MR7-721	HEADLIGHT UNIT, L.	1	1	-		CM
			33151-MR7-761	HEADLIGHT UNIT, L.	1	1	-		IT
		9	33160-MR7-761	SOCKET ASSY., HEADLIGHT	2	2	-		IT
		10	33170-MJ0-010	SOCKET ASSY., POSITION LIGHT	1	1	-		AR,B,F,FI,G,H,N,SD
					2	2	2		E,ED,IT,SP

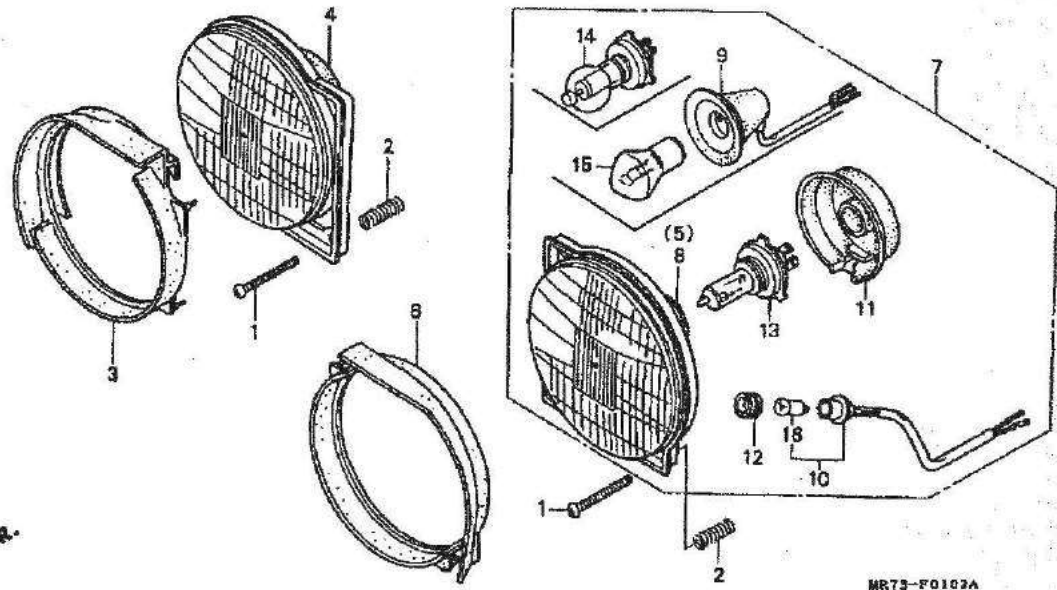
F-1-2

Headlight
(VFR750R-Except J-NZ,
SW,U • K-SW,U)

Phare
(VFR750R-Sauf J-NZ,SW,
U • K-SW,U)

Scheinwerfer
(VFR750R-Ausgenommen
J-NZ,SW,U • K-SW,U)

Faro delantero
(VFR750R-Salvo J-NZ,
SW,U • K-SW,U)



MR73-F0102A

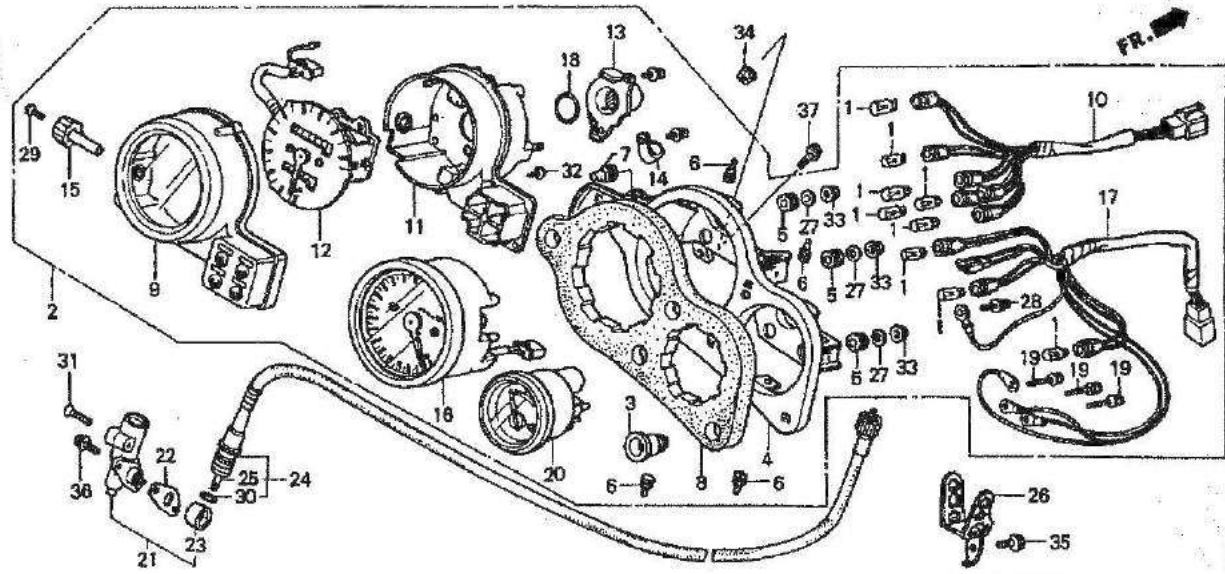
3

Service item	F.R.T.	Ref. No.	Part No.	Description	Reqd. No.			Serial No.	Area code
					VFR750R	K	L		
		11	33180-MJO-000	COVER, RUBBER	2	-	-	-	AR,B,E,ED,F,FI,G,H,N,SD
					2	2	-	-	CM,SP
			33180-MJO-010	COVER, RUBBER	-	2	-	2100644	AR,B,E,ED,F,G,SD
					-	-	2	2100646	AR,B,E,ED,F,G,SD
		12	33905-371-601	RUBBER, JOINT	1	1	-	-	AR,B,F,FI,G,H,N,SD
					2	2	2	-	E,ED,IT,SP
		13	34901-MC7-601	BULB, HEADLIGHT (12V 60/55W)	2	2	2	-	AR,B,CM,E,ED,FI,G,H,N,SD
									SP
		14	34901-371-621	BULB, HEADLIGHT (PHILIPS) (H4 JA 12V 60/55W) (YELLOW)	2	2	-	-	F
		15	34901-388-611	BULB, HEADLIGHT (12V 35/35W)	2	2	-	-	IT
		16	34903-388-611	BULB, POSITION (12V 4W)	1	1	-	-	AR,B,F,FI,G,H,N,SD
					2	2	2	-	E,ED,IT,SP

I 9

F-2

Meter
Compteurs
Messer
Medidor



MR73-P0200

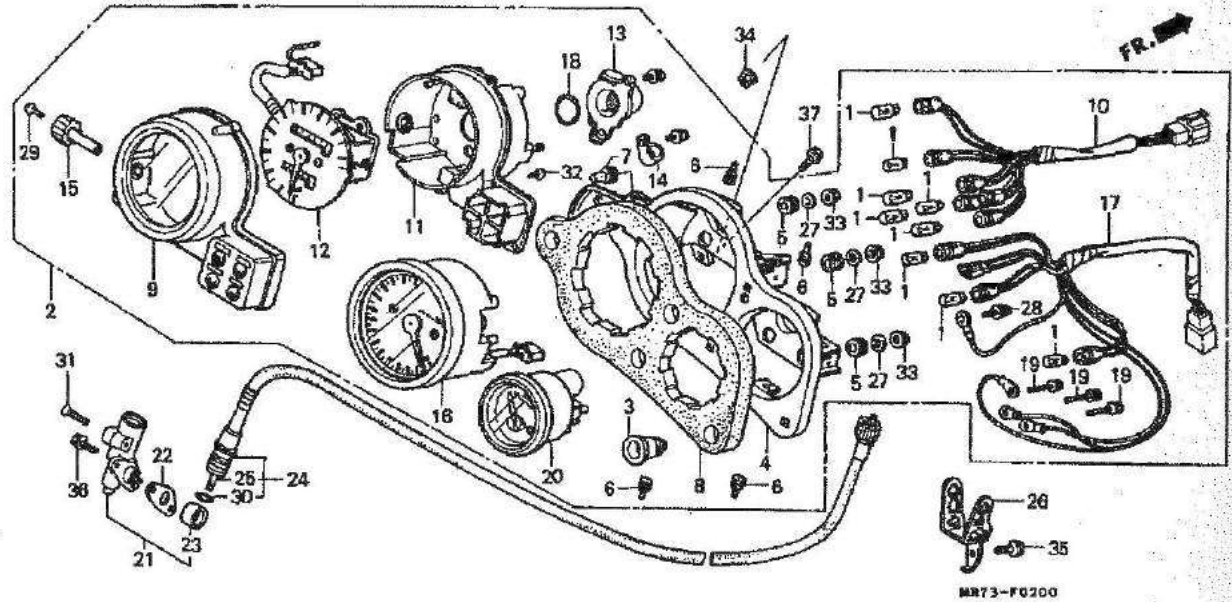
3

Service Item	F.R.T.	Ref. No.	Part No.	Description	Reqd. No.			Serial No.	Area code
					VFR750R	X	1		
BULB, WEDGE BASE	0.2	1	34908-MG9-951	BULB, WEDGE BASE (12V 1.7W)	9	9	9		
.CUSHION		2	37100-MR7-601	METER ASSY., COMBINATION					
.CABLE, INNER				(MPH/KPH)	1	-	-	2001797	E
METER ASSY., COMBINATION	0.5		37100-MR7-602	METER ASSY., COMBINATION					
.BRACKET ASSY., METER				(MPH/KPH)	1	-	-	2001798	E
.CASE COMP., SPEEDOMETER UPPER					-	1	1		E
.CASE ASSY., SPEEDOMETER LOWER			37100-MR7-611	METER ASSY., COMBINATION (KPH)	1	-	-	2001667	G
.TACHOMETER ASSY.			37100-MR7-612	METER ASSY., COMBINATION (KPH)	1	-	-	2001668	G
SOCKET COMP., SPEEDOMETER	0.6				-	1	-		G
.SPEEDOMETER COMP.			37100-MR7-621	METER ASSY., COMBINATION (KPH)	1	-	-	2001448	AR,B,ED,F,H,N,SP
.SOCKET COMP., TACHOMETER			37100-MR7-622	METER ASSY., COMBINATION (KPH)	1	-	-	2001449	AR,B,ED,F,H,N,SP
.METER ASSY., TEMPERATURE					-	1	-		AR,B,ED,F,SP
BOSS, ELBOW	0.3								
.BOX ASSY., SPEEDOMETER GEAR									
.CABLE ASSY., SPEEDOMETER									

I 10

F-2

Meter
Compteurs
Messer
Medidor



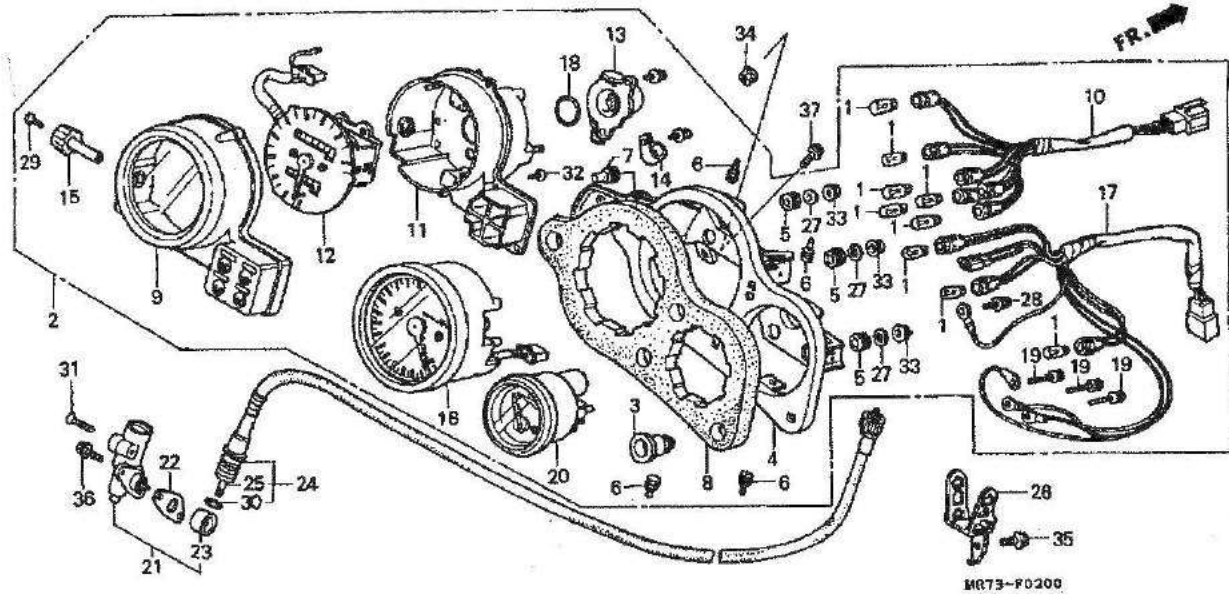
3

Service item	F.R.T.	Ref. No.	Part No.	Description	Reqd. No. VFR760R	Serial No.	Area code
		(2)	37100-MR7-681	METER ASSY., COMBINATION (KPH)	1	2002050	NZ,U
			37100-MR7-682	METER ASSY., COMBINATION (KPH)	1	2002051	NZ,U
					1		U
			37100-MR7-691	METER ASSY., COMBINATION (KPH)	1		SW
			37100-MR7-692	METER ASSY., COMBINATION (KPH)	1		SW
			37100-MR7-721	METER ASSY., COMBINATION (KPH/MPH)	1		CM
			37100-MR7-722	METER ASSY., COMBINATION (KPH/MPH)	1		CM
			37100-MR7-761	METER ASSY., COMBINATION (KPH)	1	2001556	FL,IT,SD
			37100-MR7-762	METER ASSY., COMBINATION (KPH)	1	2001557	FL,IT,SD
					1		IT,SD

I 11

F-2

Meter
Compteurs
Messer
Medidor



MR7-F0200

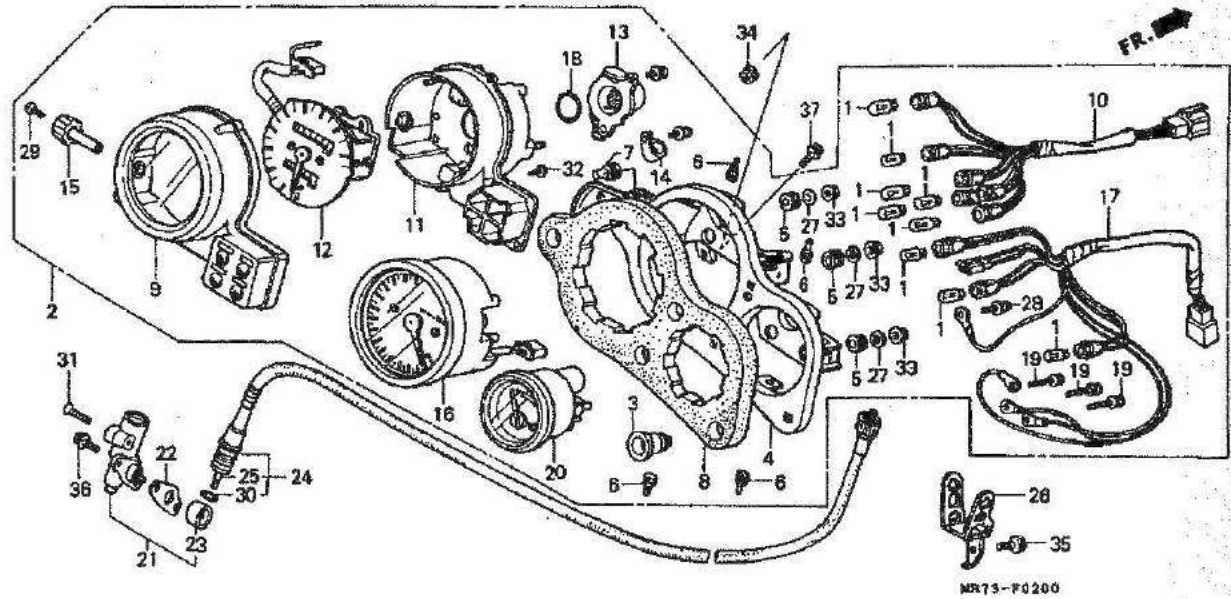
3

Service Item	F.R.T.	Ref. No.	Part No.	Description	Reqd. No.			Serial No.	Area code
					VFR750R	K			
		3	37112-MR7-003	CLIP, METER PANEL	4	4	4		
		4	37120-MR7-601	BRACKET ASSY., METER	1	1	1		
		5	37125-MR7-008	RUBBER, SPEEDOMETER SETTING	6	6	6		
		6	37126-MR7-008	CUSHION, RUBBER	4	4	4		
		7	37127-MR7-008	GROMMET	2	2	2		
		8	37130-MR7-008	CUSHION	1	1	1		
		9	37202-MR7-601	CASE COMP., SPEEDOMETER UPPER	1	1	1		AR,B,CM,E,ED,F,H,N,NZ,SP
			37202-MR7-611	CASE COMP., SPEEDOMETER UPPER	1	1	-		SW,U
			37202-MR7-761	CASE COMP., SPEEDOMETER UPPER	1	1	-		G
		10	37205-MR7-601	SOCKET COMP., SPEEDOMETER	1	1	1		FI,IT,SD

I 12

F-2

Meter
Compteurs
Messer
Medidor



3

Service item	F.R.T.	Ref. No.	Part No.	Description	Reqd. No. VFR780R	Serial No.	Area code
		11	37208-MR7-601	CASE ASSY., SPEEDOMETER LOWER	1 1 1		
		12	37210-MR7-601	SPEEDOMETER COMP. (KPH/MPH)	1 1 1		E
			37210-MR7-611	SPEEDOMETER COMP. (KPH)	1 1 -		AR,B,ED,F,FI,G,H,IT,N,NZ
			37210-MR7-721	SPEEDOMETER COMP.	1 1 -		SD,SP,SW,U
		13	37211-MR7-008	BOSS, ELBOW	1 1 1		CM
		14	37215-MB6-831	CLAMP	1 1 1		
		15	37220-445-008	KNOB, TRIP METER	1 1 1		
		16	37250-MR7-008	TACHOMETER ASSY.	1 - -	JM000029	CM
					1 - -	2002050	NZ,U
			37250-MR7-018	TACHOMETER ASSY.	1 - -	JM000030	CM
					1 - -	2002051	NZ,U
					- 1 -		CM,U

J 5

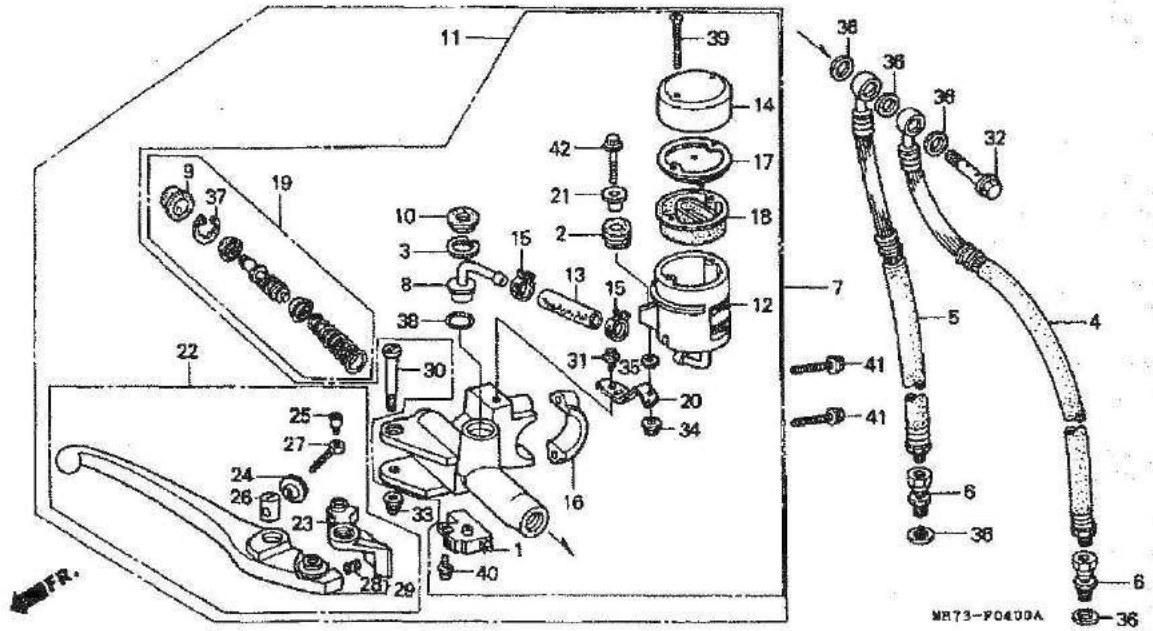
F-4

Front brake master cylinder

Maître cylindre de frein avant

Vorderradbremse-Hauptzylinder

Cilindro maestro de freno delantero



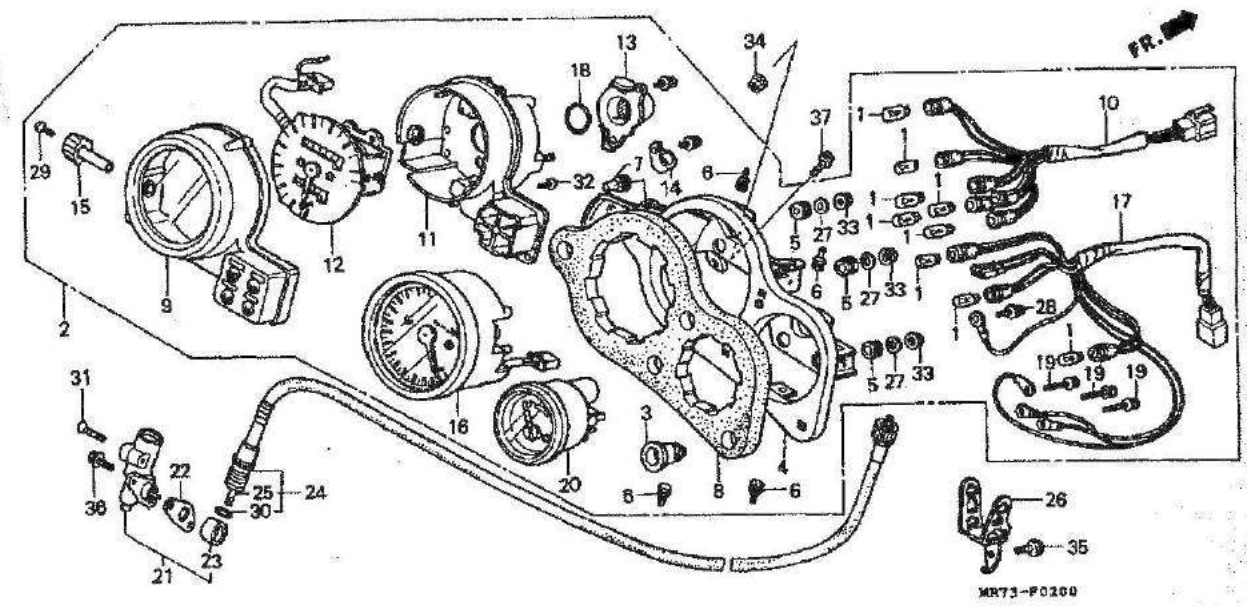
3

Service item	F.R.T.	Ref. No.	Part No.	Description	Reqd. No.			Serial No.	Area code
					V	K	R		
		16	45517-166-006	HOLDER, MASTER CYLINDER	1	1	1		
		17	45518-KV3-006	PLATE, DIAPHRAGM	1	1	1		
		18	45520-KV3-006	DIAPHRAGM	1	1	1		
		19	45530-MR7-305	CYLINDER SET, MASTER (NISSIN)	1	1	1		
		20	45550-MR7-006	STAY, FR. MASTER CYLINDER OIL	1	1	1		
		21	50324-425-010	COLLAR, 6.3X13	1	1	1		
		22	53170-KV0-006	LEVER ASSY., R. HANDLE	1	1	1		
		23	53171-MJ4-701	KNOCKER, MASTER CYLINDER	1	1	1		
		24	53172-KV0-006	ADJUSTER, R. HANDLE LEVER	1	1	1		
		25	53177-KV0-006	BOLT, LEVER SOCKET, 6X5	1	1	1		
		26							
		27	53179-KV0-006	JOINT, LEVER	1	1	1		
		28	53180-KV0-006	BOLT, ADJUSTING	1	1	1		
		29	53181-KV0-006	SPRING, HANDLE LEVER	1	1	1		

I 13

F-2

Meter
Compteurs
Messer
Medidor



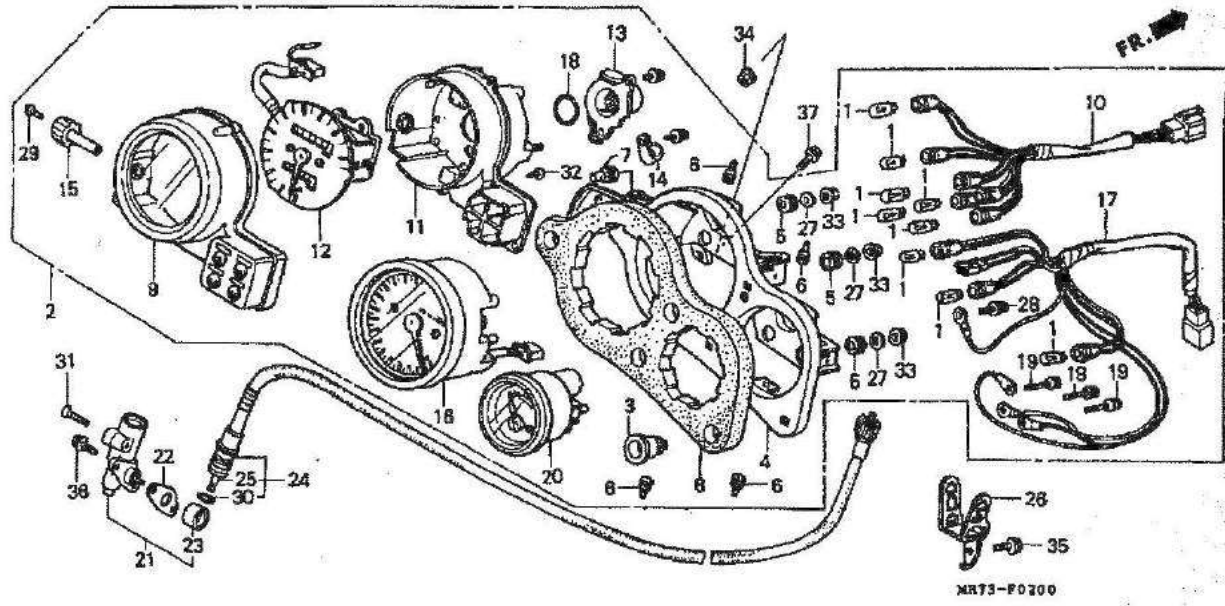
3

Service item	F.R.T.	Ref. No.	Part No.	Description	Reqd. No. VFR750R K L	Serial No.	Area code
		16)	37250-MR7-601	TACHOMETER ASSY.	1 - -	2001527	AR,B,E,ED,F,FI,G,H,IT,N SD,SP
			37260-MR7-602	TACHOMETER ASSY.	1 - -	2001628	AR,B,E,ED,F,FI,G,H,IT,N SD,SP
			37250-MR7-891	TACHDMETER ASSY.	- 1 1	2001764	AR,B,E,ED,F,G,IT,SD,SP SW
			37250-MR7-892	TACHOMETER ASSY.	1 - -	2001765	SW
			17 37255-MR7-008	SOCKET COMP., TACHOMETER	1 1 1		
			18 37284-MR7-008	SEAL	1 1 1		
			19 37305-KE5-008	SCREW-WASHER, 3X22	3 3 3		
			20 37400-MR7-008	METER ASSY., TEMPERATURE	1 1 1		
			21 44800-MR7-003	BOX ASSY., SPEEDOMETER GEAR	1 1 1		
			22 44802-MR7-000	GASKET, SPEEDOMETER GEAR BOX	1 1 1		
			23 44808-MR7-013	JOINT, SPEEDOMETER	1 1 1		

I 14

F-2

Meter
Compteurs
Messer
Medidor



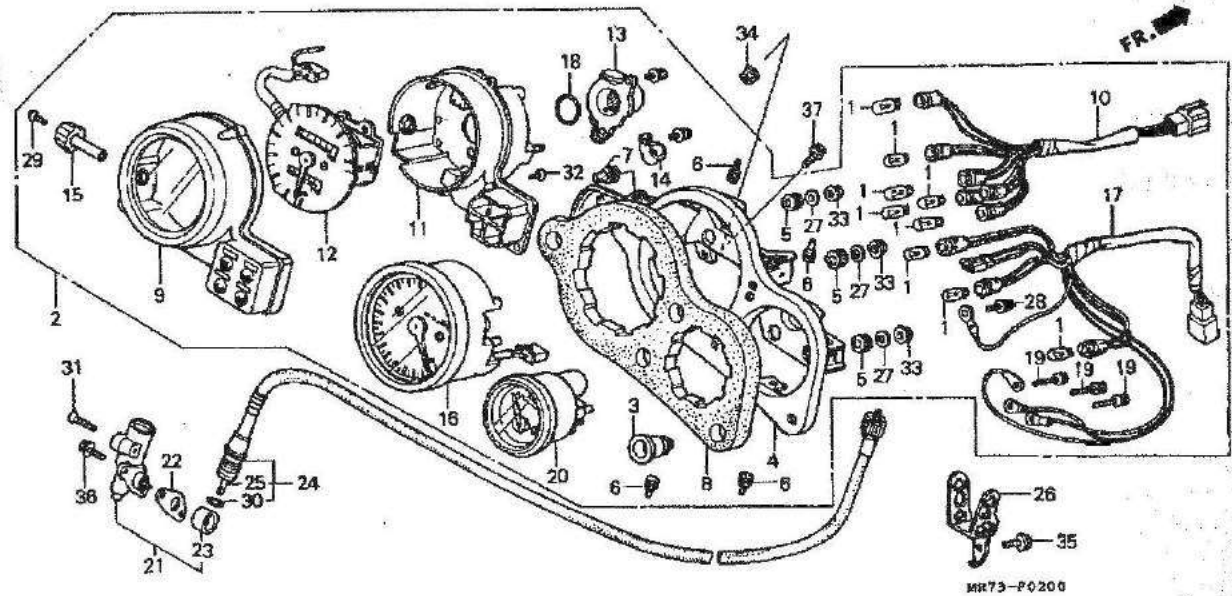
3

Service Item	F.R.T.	Ref. No.	Part No.	Description	Reqd. No. VFR750R	Serial No.	Area code
		24	44830-MR7-000	CABLE ASSY., SPEEDOMETER	1 1 1		
		25	44831-KM3-000	CABLE, INNER	1 1 1		
		26	64516-MR7-000	PLATE, FR. COUPLER SETTING	1 1 -		NZ,U
		27	84103-443-740	WASHER, PLAIN, 5MM	6 6 6		
		28	90108-GN2-008	SCREW-WASHER, 3X10	1 1 1		
		29	90168-KM7-911	SCREW, PAN, 2X6	1 1 1		
		30	91301-027-000	O-RING, 6.8X1.9	1 1 1		
		31	93700-05020-0G	SCREW, OVAL, 5X20	1 1 1		
		32	93903-22380	SCREW, TAPPING, 3X12	5 5 5		
		33	94001-06300-0S	NUT, HEX., 5MM	6 6 6		
		34	94050-06000	NUT, FLANGE, 6MM	2 2 2		
		35	95701-08012-08	BOLT, FLANGE, 6X12	1 1 -		NZ,U

I 15

F-2

Meter
Compteurs
Messer
Medidor



3

Service item	F.R.T.	Ref. No.	Part No.	Description	Reqd. No. VFR750R	Serial No.	Area code
		36	96001-06014-07	BOLT, FLANGE, 6X14	2 2 2		
		37	96300-06025-00	BOLT, FLANGE, 6X25	2 2 2		AR,B,C,M,E,ED,F,FI,G,H,IT N,NZ,SD,SP,SW
			96300-06012-00	BOLT, FLANGE, 6X12	2 - -		U
					- 2 -		U

I 16

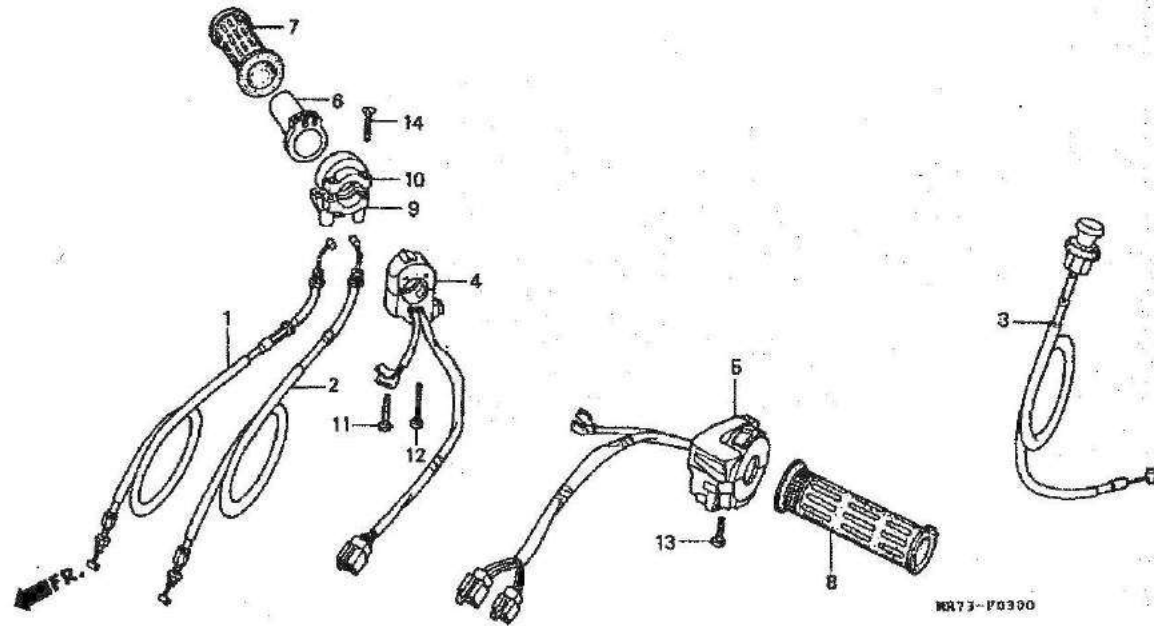
F-3

Switch • Cable

Interrupteur • Câble

Schalter • Kabel

Interruptor • Cable



MR73-P0300

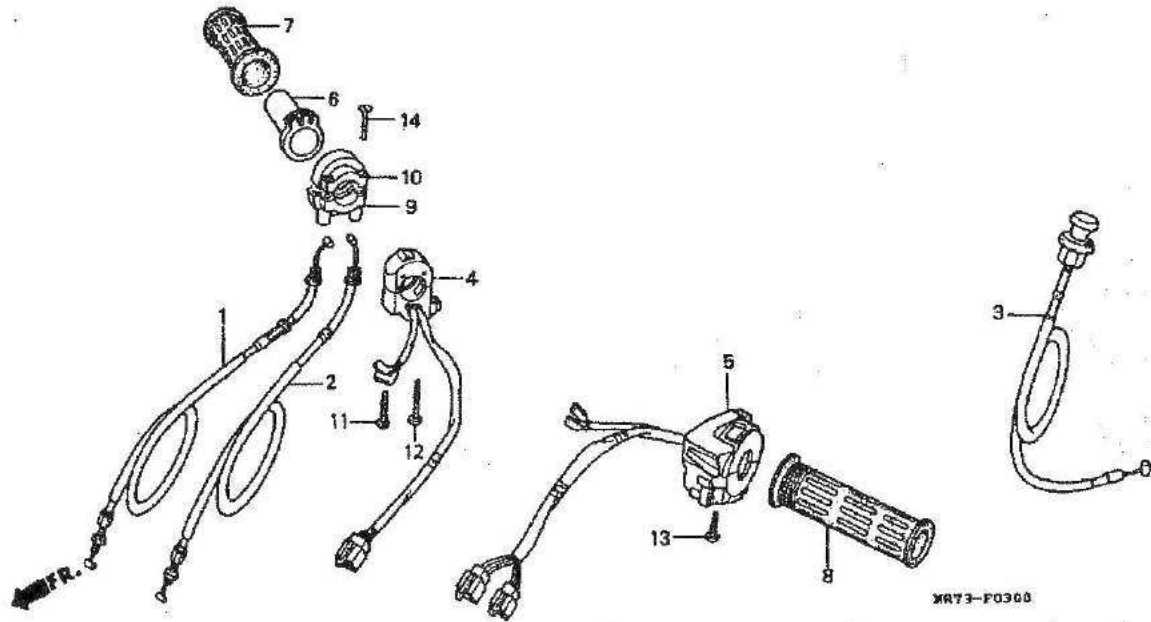
3

Service item	F.R.T.	Ref. No.	Part No.	Description	Reqd. No.			Serial No.	Area code
					V	K	R		
CABLE COMP., THROTTLE (ONE OR ALL)	0.9	1	17910-MR7-000	CABLE COMP. A, THROTTLE	1	1	1		
		2	17920-MR7-000	CABLE COMP. B, THROTTLE	1	1	1		
CABLE COMP., CHOKE	0.6	3	17950-MR7-000	CABLE COMP., CHOKE	1	1	1		
SWITCH ASSY., WINKER		4	35130-MR7-000	SWITCH ASSY., STARTER KILL	1	1	1		AR,B,E,ED,F,FI,G,H,IT,N
SWITCH ASSY., STARTER KILL	0.5		35130-MR7-720	SWITCH ASSY., STARTER KILL	1	1	-		NZ,SD,SP,SW,U
PIPE, THROTTLE GRIP	0.3		35130-MR7-720	SWITCH ASSY., STARTER KILL	1	1	-		CM
HOUSING, UNDER THROTTLE		5	35200-MR7-000	SWITCH ASSY., WINKER	1	1	1		AR,B,E,ED,F,FI,G,H,IT,N
GRIP, R. HANDLE	0.2		35200-MR7-720	SWITCH ASSY., WINKER	1	1	-		NZ,SD,SP,SW,U
GRIP, L. HANDLE	0.1		35200-MR7-720	SWITCH ASSY., WINKER	1	1	-		CM
		6	53141-MR7-000	PIPE, THROTTLE GRIP	1	1	1		
		7	53166-KT8-710	GRIP, R. HANDLE	1	1	1		
		8	53166-KT8-710	GRIP, L. HANDLE	1	1	1		

J 1

F-3

Switch • Cable
 Interrupteur • Câble
 Schalter • Kabel
 Interruptor • Cable



3

Service item	F.R.T.	Ref. No.	Part No.	Description	Reqd. No VFR760R K	Serial No.	Area code
		9	53187-MR7-000	HOUSING, UPPER THROTTLE	1 1 1		
		10	53168-385-000	HOUSING, UNDER THROTTLE	1 1 1		
		11	93500-04032-0G	SCREW, PAN, 4X32	1 1 1		
		12	93500-04035-0G	SCREW, PAN, 4X35	1 - -	2001428	AR,B,E,ED,F,FI,G,H,IT,N NZ,SD,SP,SW,U
			93500-04045-0G	SCREW, PAN, 4X45	1 - -	JM000030	CM
					1 - -	2001429	AR,B,E,ED,F,FI,G,H,IT,N NZ,SD,SP,SW,U
					1 - -	JM000031	CM
		13	93500-05020-0A	SCREW, PAN, 5X20	- 1 1		
		14	93500-05020-0G	SCREW, PAN, 5X20	2 2 2		

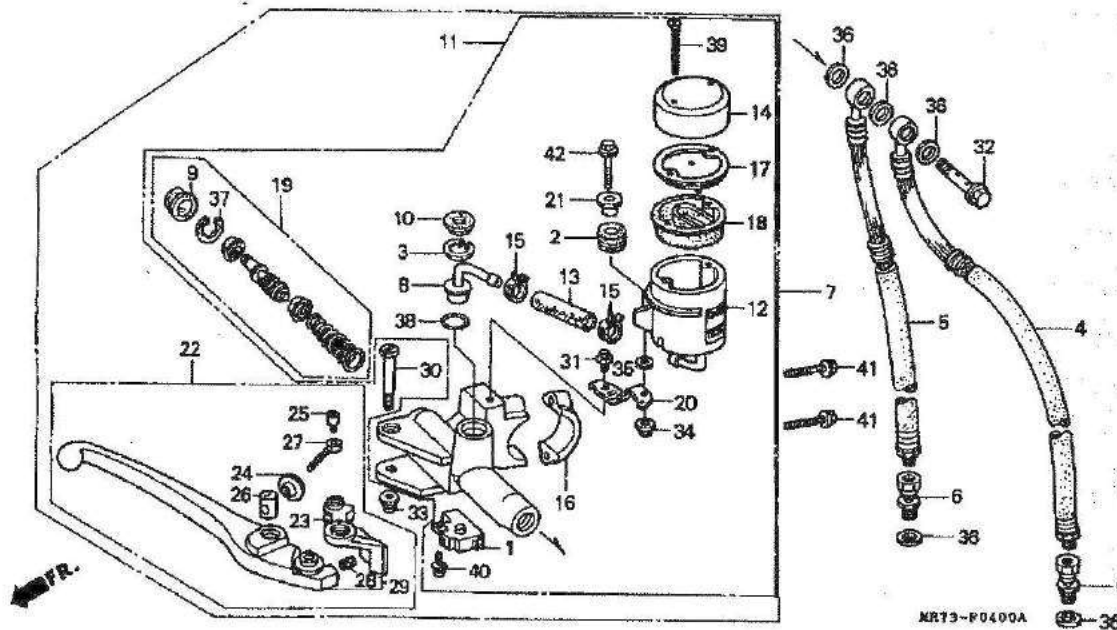
F-4

Front brake master cylinder

Maître cylindre de frein avant

Vorderradbremse-Hauptzylinder

Cilindro maestro de freno delantero



3

Service item	F.R.T.	Ref. No.	Part No.	Description	Reqd. No.	Serial No.	Area code
					VFR750R		
SWITCH ASSY., FR. STOP	0.1	1	36340-MM5-600	SWITCH ASSY., FR. STOP	1		
.DIAPHRAGM		2	43516-HA2-000	RUBBER, OIL CUP MOUNTING	1		
.LEVER ASSY., R. HANDLE		3	43517-KS6-701	CIRCLIP, RR. MASTER CYLINDER	1		
.KNOCKER, MASTER CYLINDER		4	46124-MR7-003	HOSE, L. FR. BRAKE	1	2002050	AR,B,ED,F,FI,H,IT,N,NZ,SD
.LEVER SET, R. HANDLE							SP,SW,U
HOSE, FR. BRAKE	0.4				1		C,M,E,G
(ADD 0.1 FOR EACH.)						2100332	AR,B,E,ED,F,G,IT,SD,SW
.CYLINDER ASSY., FR. BRAKE			45124-MR7-013	HOSE, L. FR. BRAKE	1	2002051	AR,B,ED,F,FI,H,IT,N,NZ,SD
.CYLINDER SUB ASSY., FR. BRAKE							SP,SW,U
.CYLINDER SET, MASTER						2100333	AR,B,E,ED,F,G,IT,SD,SW
CUP COMP., OIL	0.2						CM,SP
.HOSE, FR. MASTER CYLINDER OIL			46124-MR7-771	HOSE, L. FR. BRAKE		2100787	AR,B,E,ED,F,G,IT,SD,SW
						KM000018	U

J 3

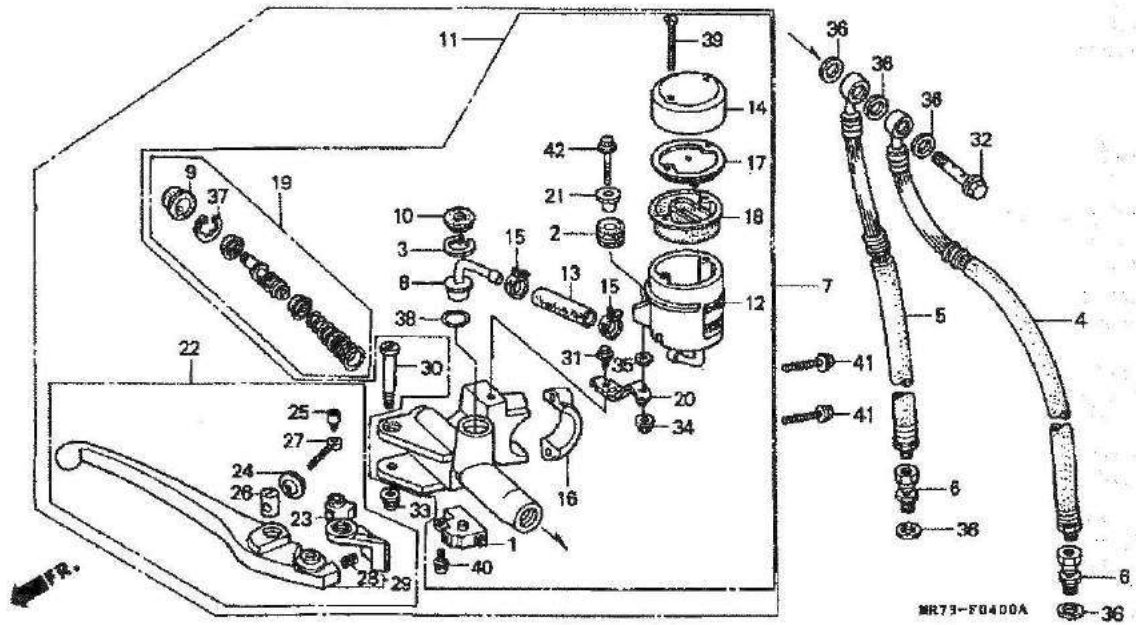
F-4

Front brake master cylinder

Maître cylindre de frein avant

Vorderradbremse-Hauptzylinder

Cilindro maestro de freno delantero



3

Service Item	F.R.T.	Ref. No.	Part No.	Description	Reqd. No. VPR750R	Serial No.	Area code	
5			45125-MR7-003	HOSE, R. FR. BRAKE	1	2002060	AR,B,ED,F,FI,H,IT,N,NZ,SD SP,SW,U	
					1		CM,E,G	
					1	2100392	AR,B,E,ED,F,G,IT,SD,SW	
					1	2002061	AR,B,ED,F,FI,H,IT,N,NZ,SD SP,SW,U	
					1	2100333	2100786	AR,B,E,ED,F,G,IT,SD,SW
					1		CM,SP	
6			45125-MR7-771	HOSE, R. FR. BRAKE	1	2100787	AR,B,E,ED,F,G,IT,SD,SW	
					1	KM000018	U	
6			45127-KA3-831	JOINT, BRAKE HOSE	2		AR,B,E,ED,F,FI,G,H,IT,N NZ,SD,SW	
					2		CM,SP,U	
					2	2101044	AR,B,E,ED,F,G,IT,SD,SW	
6			45127-KZ4-003	JOINT, BRAKE HOSE	2	2101045	AR,B,E,ED,F,G,IT,SD,SW	

J 4

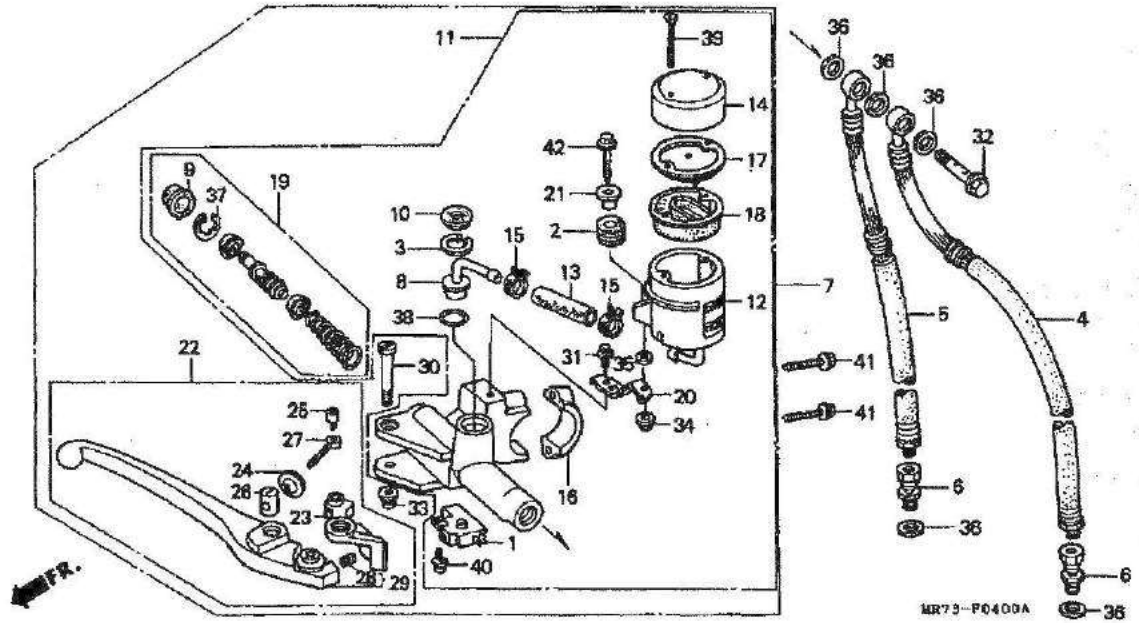
F-4

Front brake master cylinder

Maître cylindre de frein avant

Vorderradbremse-Hauptzylinder

Cilindro maestro de freno delantero



3

Service item	F.R.T.	Ref. No.	Part No.	Description	QTY	Reqd. No. VFR750R K	Serial No.	Area code
		7	45500-MR7-006	CYLINDER ASSY., FR. BRAKE MASTER (NISSIN)	1	1	-----	CM
		8	45503-KV3-006	CONNECTOR, MASTER CYLINDER	1	1	-----	E,G
		9	45504-410-003	BOOT COMP.	1	1	1	
		10	45505-KV3-006	COVER, DUST	1	1	1	
		* 11	45510-MR7-305	CYLINDER SUB ASSY., FR. BRAKE MASTER (NISSIN)	1	1	-----	AR,B,ED,F,FI,H,IT,N,NZ,SD SP,SW,U E,G
		12	45511-KV3-016	CUP COMP., OIL	1	1	1	
		13	45512-MR7-006	HOSE, FR. MASTER CYLINDER OIL	1	1	1	
		14	45513-KV3-006	CAP, OIL CUP	1	1	1	
		16	45514-KV3-006	CLAMP, MASTER CYLINDER OIL HOSE	2	2	2	

J 6

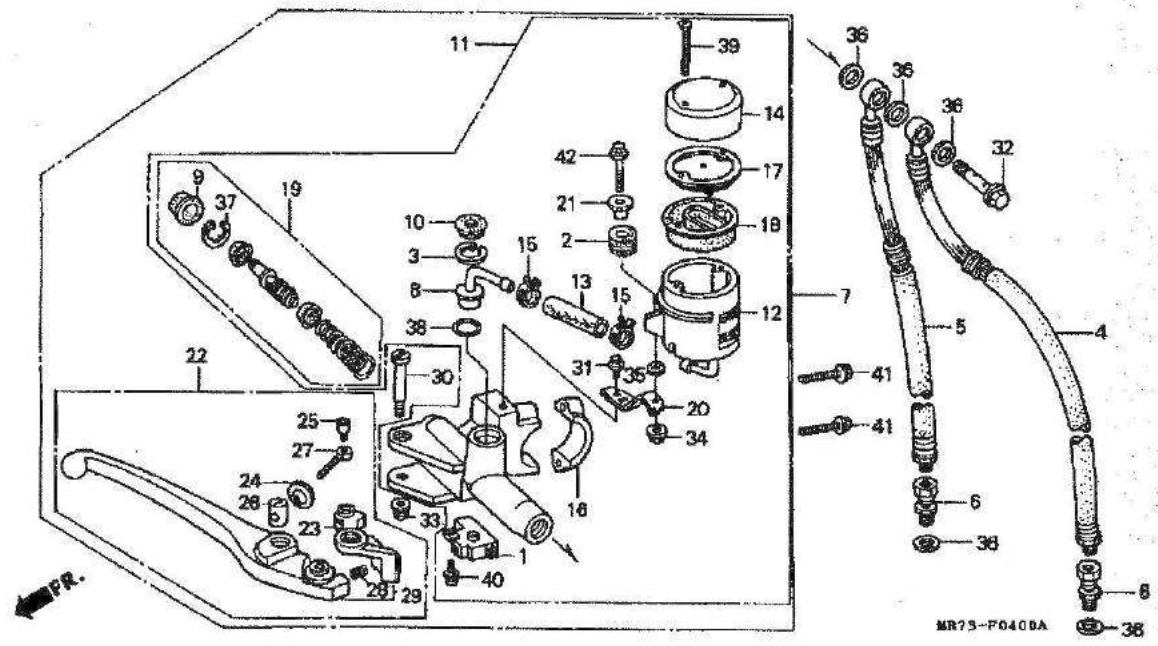
F-4

Front brake master cylinder

Maître cylindre de frein avant

Vorderradbremse-Hauptzylinder

Cilindro maestro de freno delantero



3

Service item	F.R.T.	Ref. No.	Part No.	Description	Req. No. VFA750A	Serial No.	Area code
		29	63185-KVD-006	LEVER SET, R. HANDLE	1	1	1
		30	90114-MA6-671	BOLT, R. STEERING HANDLE LEVER PIVOT	1	1	1
		31	90117-MR7-000	BOLT, FLANGE, 6X12	1	1	1
		32	90145-MB0-010	BOLT, OIL, 10X34	1	1	1
		33	90201-415-000	NUT, CAP, 6MM	1	1	1
		34	90301-473-003	NUT, U, 6MM	1	1	1
		35	90473-147-000	WASHER, 6X16	1	1	1
		36	90545-300-000	WASHER, OIL BOLT	6	6	6
		37	90651-MA6-671	CIRCLIP	1	1	1
		38	91212-422-006	O-RING, 14.8X2.4	1	1	1
		39	93600-04050-1G	SCREW, FLAT, 4X50	2	2	2
		40	93893-04012-18	SCREW-WASHER, 4X12	1	1	1
		41	96001-06022-07	BOLT, FLANGE, 6X22	2	2	2

J 7

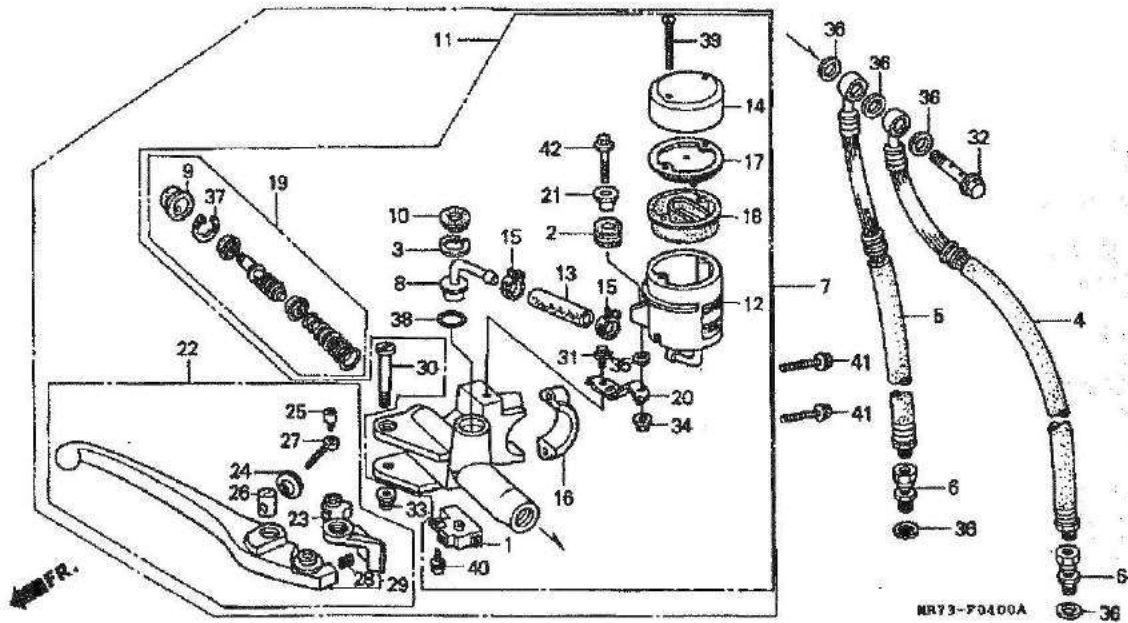
F-4

Front brake master cylinder

Maître cylindre de frein avant

Vorderradbremse-Hauptzylinder

Cilindro maestro de freno delantero



NR73-P0400A

3

Service Item	F.R.T.	Ref. No.	Part No.	Description	Reqd. No. VFR750A K	Serial No.	Area code
		42	96300-0602B-07	BOLT, FLANGE, 6X28	1 1 1		

J 8

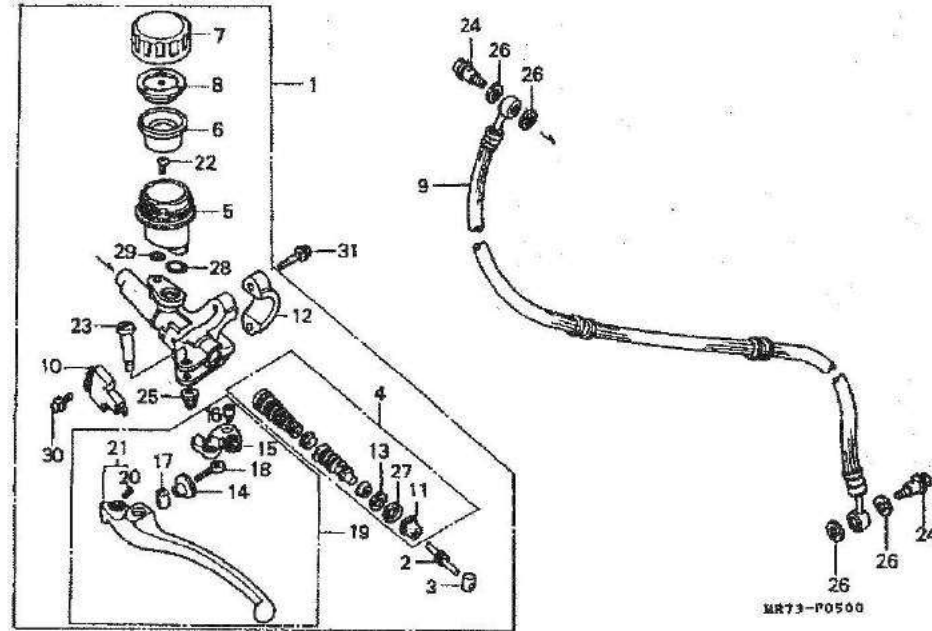
F-5

Clutch master cylinder

Maître cylindre d'embrayage

Kupplungshauptzylinder

Cilindro maestro de embrague



3

Service item	F.R.T.	Ref. No.	Part No.	Description	Reqd. No. VFR750R J K L	Serial No.	Area code
CYLINDER ASSY., CLUTCH MASTER PISTON SET, CLUTCH MASTER	0.4	1	22880-MR7-006	CYLINDER ASSY., CLUTCH MASTER (NISSIN)	1 1 1		
..... CYLINDER		2	22884-MB0-006	ROD, PUSH	1 1 1		
CUP, CLUTCH OIL	0.3	3	22885-MB0-006	BUSH	1 1 1		
DIAPHRAGM	0.1	4	22886-MB0-305	PISTON SET, CLUTCH MASTER			
..... CYLINDER		5	22887-MR7-006	CUP, CLUTCH OIL	1 1 1		
SWITCH ASSY., CLUTCH		6	22888-MR7-006	DIAPHRAGM	1 1 1		
..... KNOCKER, CLUTCH		7	22889-MR7-006	CAP, CLUTCH OIL CUP	1 1 1		
..... LEVER ASSY., L. HANDLE		8	22890-MR7-006	PLATE, DIAPHRAGM	1 1 1		
..... HOSE COMP., CLUTCH	0.6	9	22900-MR7-000	HOSE COMP., CLUTCH	1 1 1		
		10	35330-MB0-003	SWITCH ASSY., CLUTCH	1 1 1		
		11	45504-4 10-003	BOOT COMP.	1 1 1		
		12	45517-166-006	HOLDER, MASTER CYLINDER	1 1 1		

J 9

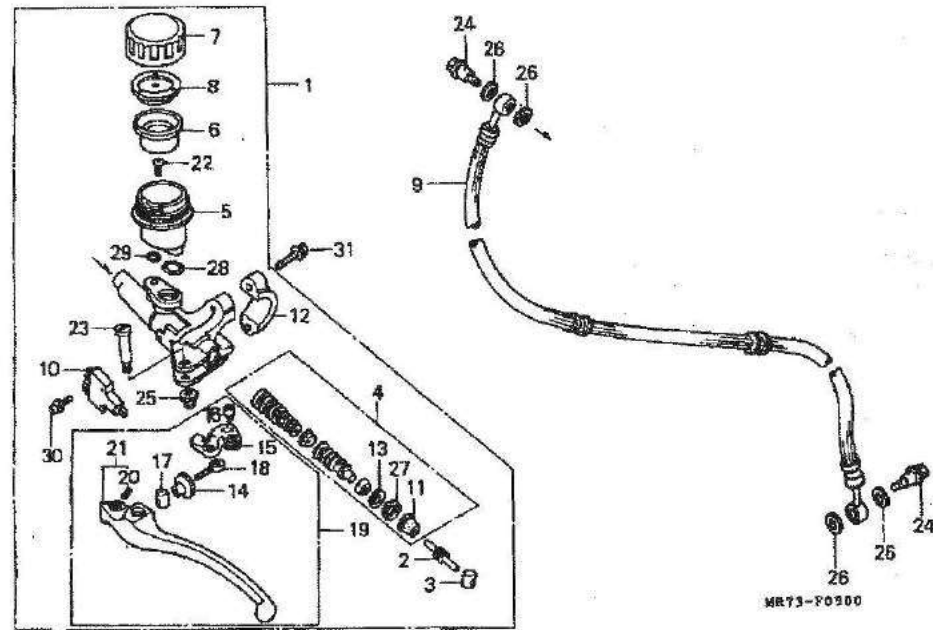
F-5

Clutch master cylinder

Maître cylindre
d'embrayage

Kupplungshauptzylinder

Cilindro maestro de
embrague



3

Service item	F.R.T.	Ref. No.	Part No.	Description	Road No.			Serial No.	Area code
					VFR750R	K			
		13	46618-MB0-008	PLATE, STOPPER	1	1	1		
		14	53172-KV0-008	ADJUSTER, R. HANDLE LEVER	1	1	1		
		15	53172-MJ4-701	KNOCKER, CLUTCH	1	1	1		
		16	53177-KV0-008	BOLT, LEVER SOCKET, 5X6	1	1	1		
		17	53179-KV0-006	JOINT, LEVER	1	1	1		
		18	53180-KV0-006	BOLT, ADJUSTING	1	1	1		
		19	53180-ML7-691	LEVER ASSY., L. HANDLE	1	1	1		
		20	53181-KV0-006	SPRING, HANDLE LEVER	1	1	1		
		21	53188-ML7-305	LEVER SET, L. HANDLE	1	1	1		
		22	90101-MR7-008	SCREW, TRIPLE, 4X11	1	1	1		
		23	90114-MA5-671	BOLT, R. STEERING HANDLE LEVER PIVOT	1	1	1		
		24	90145-KM3-750	BOLT, OIL, 10X22	2	2	2		
		25	90201-415-000	NUT, CAP, 6MM	1	1	1		

J 10

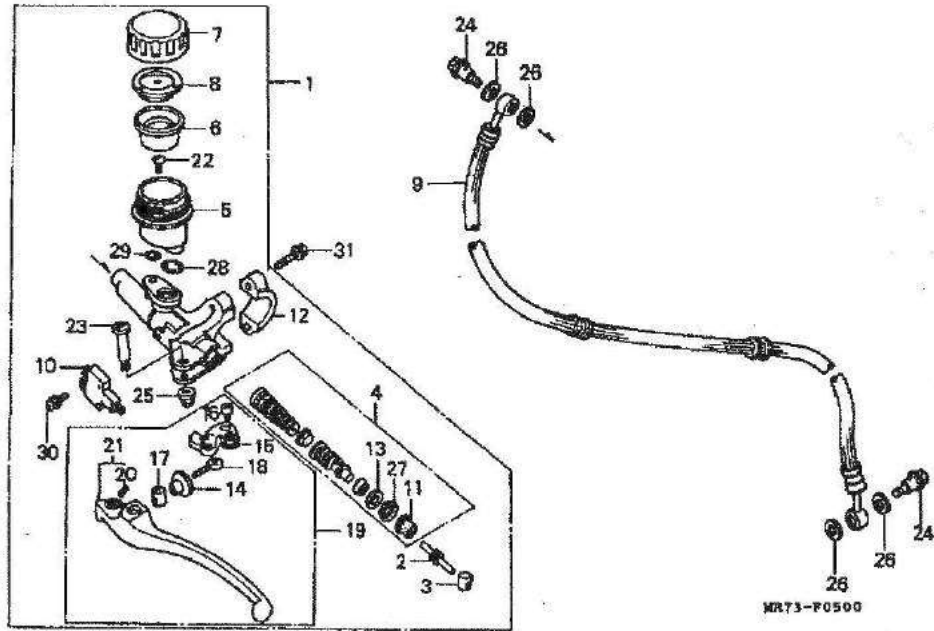
F-5

Clutch master cylinder

**Maître cylindre
d'embrayage**

Kupplungshauptzylinder

**Cilindro maestro de
embrague**



3

Service item	F.R.T.	Ref. No.	Part No.	Description	Reqd. No. VFR750R	Serial No.	Area code
		26	90545-300-000	WASHER, OIL BOLT	4 4 4		
		27	90651-377-003	CIRCLIP, INTERNAL, 18MM	1 1 1		
		28	91212-422-006	O-RING, 14.8X2.4	1 1 1		
		29	91355-MG9-006	O-RING	1 1 1		
		30	93893-04012-17	SCREW-WASHER, 4X12	1 1 1		
		31	96001-06022-07	BOLT, FLANGE, 6X22	2 2 2		

J 11

F-6

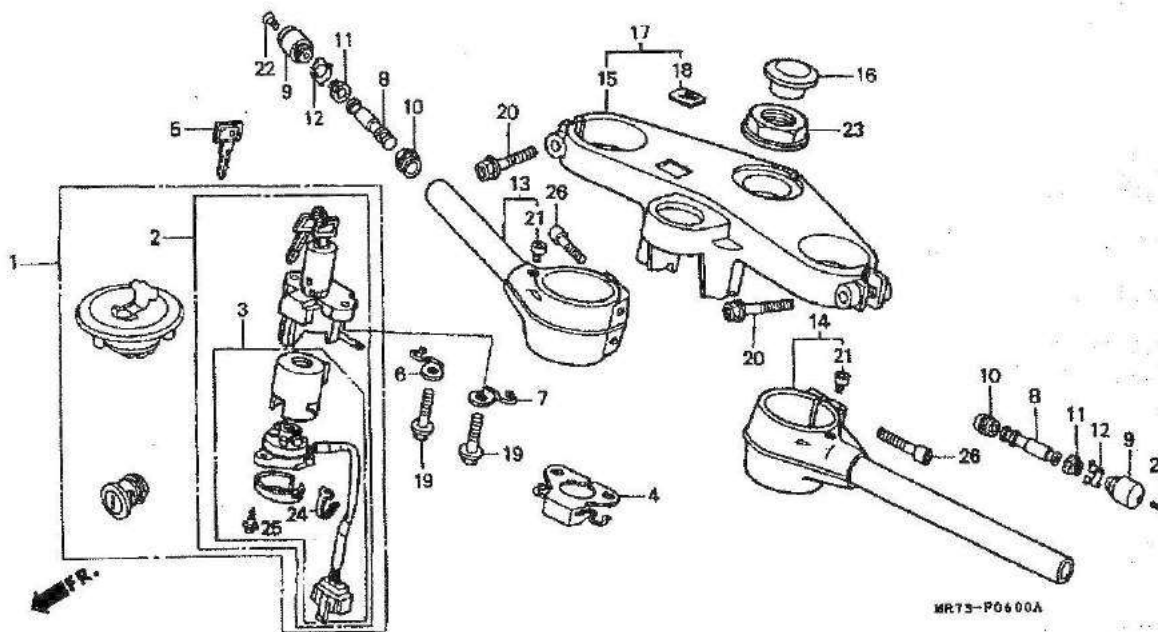
Handle pipe • Top bridge

Guidon • Haut de fourche

Lenkrohr • Obere Brücke

Tubo do manubrio •

Puente superior



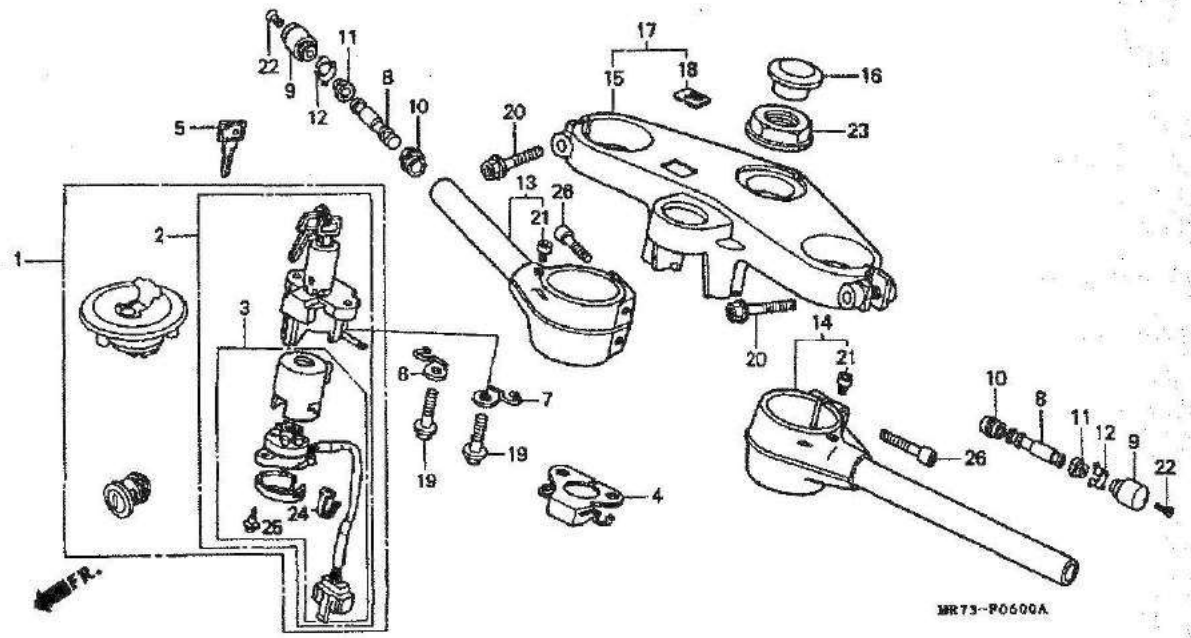
3

Service item	F.R.T.	Ref. No.	Part No.	Description	Reqd. No.			Serial No.	Area code
					V	K	L		
KEY SET	0.7	1	35010-MR7-600	KEY SET	1	-	-	AR,B,E,ED,F,H,I,T,N,NZ,SW	
SWITCH ASSY., COMBINATION & LOCK	0.6				1	1	-	U CM,SP	
BASE COMP., CONTACT					-	1	-	2100649 AR,B,E,ED,F,IT,SW	
PIPE ASSY., L. STEERING HANDLE			35010-MR7-610	KEY SET	1	-	-	FIG,SD	
PIPE ASSY., R. STEERING HANDLE	0.4				-	1	-	2100649 G,SD	
BRIDGE COMP., FORK TOP		*	35010-MR7-601	KEY SET	-	1	-	2100650 2100786 AR,B,E,ED,F,IT,SW	
		*			-	1	-	KM000018 U	
		*	35010-MR7-611	KEY SET	-	1	-	2100650 2100786 G,SD	
		*	35010-MR7-602	KEY SET	-	1	-	2100787 2100956 AR,B,E,ED,F,IT,SW	
		*	35010-MR7-612	KEY SET	-	1	-	2100787 2100956 G,SD	
		*	35010-MR7-603	KEY SET	-	1	-	2100957 2101044 AR,B,E,ED,F,IT,SW	
		*			-	1	-	KM000019 U	
		*	35010-MR7-613	KEY SET	-	1	-	2100957 2101044 G,SD	
		*	35010-MR7-604	KEY SET	-	1	-	2101045 AR,B,E,ED,F,IT,SW	
		*	35010-MR7-614	KEY SET	-	1	-	2101045 G,SD	

J 12

F-6

Handle pipe • Top bridge
 Guidon • Haut de fourche
 Lenkrohr • Obere Brücke
 Tubo do manubrio •
 Puente superior



3

Service item	F.R.T.	Ref. No.	Part No.	Description	Reed. No. VFR750R J K L	Serial No.	Area code
		2	35100-MR7-600	SWITCH ASSY., COMBINATION &	LOCK 1 - - - - -		AR,B,E,ED,F,H,IT,N,NZ,SW U
					1 1 - - - - -		CM,SP
					- 1 - - - - -	2100786	AR,B,E,ED,F,IT,SW
					- 1 - - - - -	KM000018	U
			35100-MR7-610	SWITCH ASSY., COMBINATION &	LOCK 1 - - - - -		F,I,G,SD
					- 1 - - - - -	2100786	G,SD
		*	35100-MR7-601	SWITCH ASSY., COMBINATION &	LOCK - 1 - - - - -	2100787	AR,B,E,ED,F,IT,SW
					- 1 - - - - -	KM000019	U
		*	35100-MR7-611	SWITCH ASSY., COMBINATION &	LOCK - 1 - - - - -	2100787	G,SD

J 13

F-6

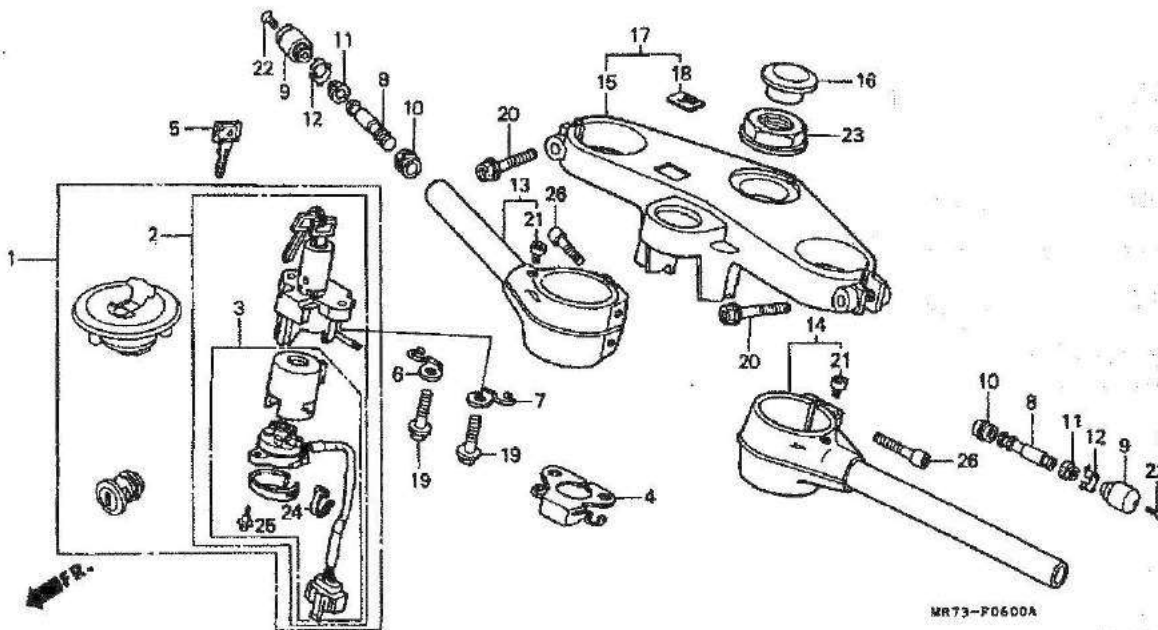
Handle pipe • Top bridge

Guidon • Haut de fourche

Lenkrohr • Obere Brücke

Tubo do manubrio •

Puente superior



3

Service item	F.R.T.	Ref. No.	Part No.	Description	Reqd. No. VFR750R K	Serial No.	Area code	
		3	35101-MR7-600	BASE COMP., CONTACT	1	-	AR,B,E,ED,F,FI,G,H,IT,N NZ,SD,SW,U CM,SP	
					1	1	2100786	AR,B,E,ED,F,G,IT,SD,SW
					-	1	KM000018	U
		*	35101-MR7-601	BASE COMP., CONTACT	-	1	2100787	AR,B,E,ED,F,G,IT,SD,SW
					-	1	KM000019	U
		4	35106-MR7-610	COVER, COMBINATION SWITCH	1	1		FI,G,SD
		5	35121-KB7-810	KEY, BLANK (TYPE 1)	(1)	(1)		AR,B,E,ED,F,H,IT,N,NZ,SW U
					(1)	(1)		CM,SP
					-	(1)	2100649	AR,B,E,ED,F,IT,SW
			35121-KE1-820	KEY, BLANK	(1)	-		FI,G,SD
					-	(1)	2100649	G,SD

J 14

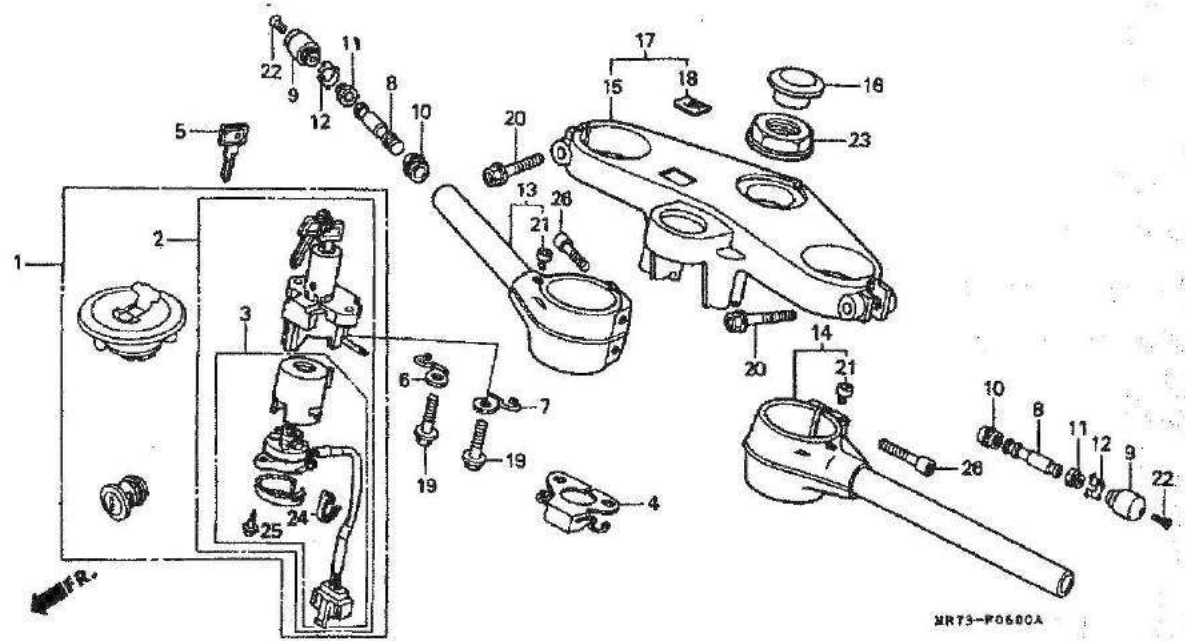
F-6

Handle pipe • Top bridge

Guidon • Haut de fourche

Lenkrohr • Obere Brücke

Tubo do manubrio •
Puente superior



3

Service item	F.R.T.	Ref. No.	Part No.	Description	Reqd. No. VFR750R K L	Serial No.	Area code
		(5)	35122-KB7-810	KEY, BLANK (TYPE 2)	(1) - (1)		AR,B,E,ED,F,H,IT,N,NZ,SW U
					(1) (1) -		CM,SP
		*	35121-KW3-771	KEY, BLANK (TYPE 1)	- (1) -	2100649	AR,B,E,ED,F,IT,SW
		*	35121-MN9-811	KEY, BLANK	- (1) -	2100650	AR,B,E,ED,F,IT,SW U
		*	35122-KW3-771	KEY, BLANK (TYPE 2)	- (1) -	2100650	G,SD AR,B,E,ED,F,IT,SW U
		6	50407-MR7-000	CLIP, R. HANDLE SWITCH CORD	1 1 1		
		7	50408-MR7-000	CLIP, L. HANDLE SWITCH CORD	1 1 1		
		8	63104-MJ0-000	WEIGHT, HANDLE (B)	2 2 2		
		9	53106-MJ0-000	WEIGHT, STEERING HANDLE	2 2 2		
		10	63106-KR3-770	RUBBER A, HANDLE WEIGHT	2 2 2		

F-6

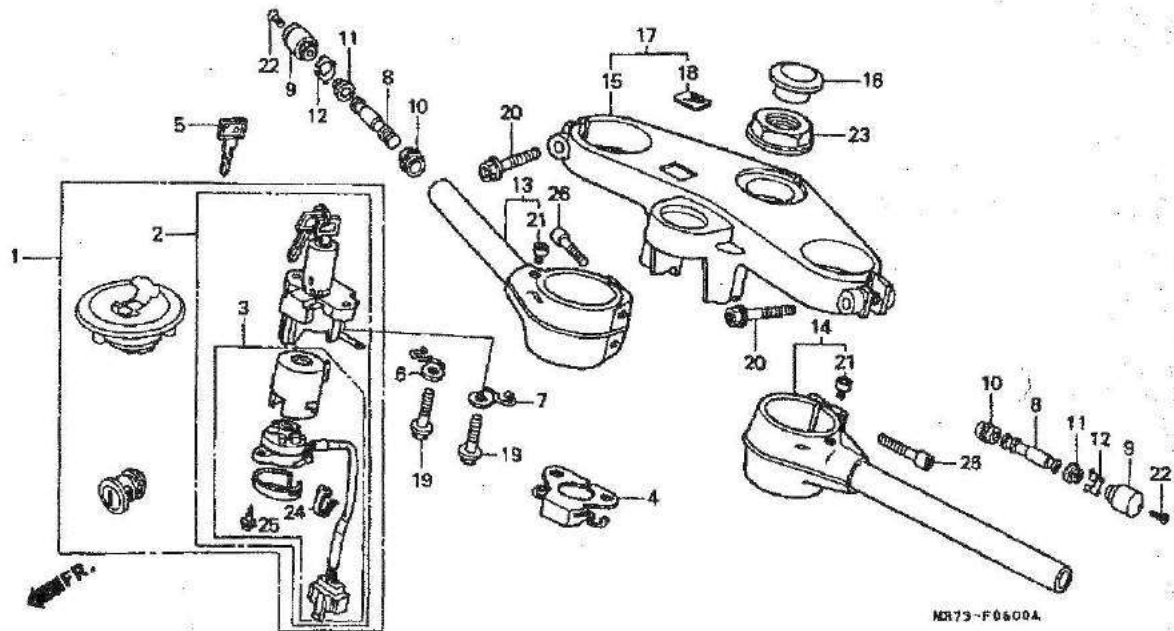
Handle pipe • Top bridge

Guidon • Haut de fourche

Lenkrohr • Obere Brücke

Tubo do manubrio •

Puente superior



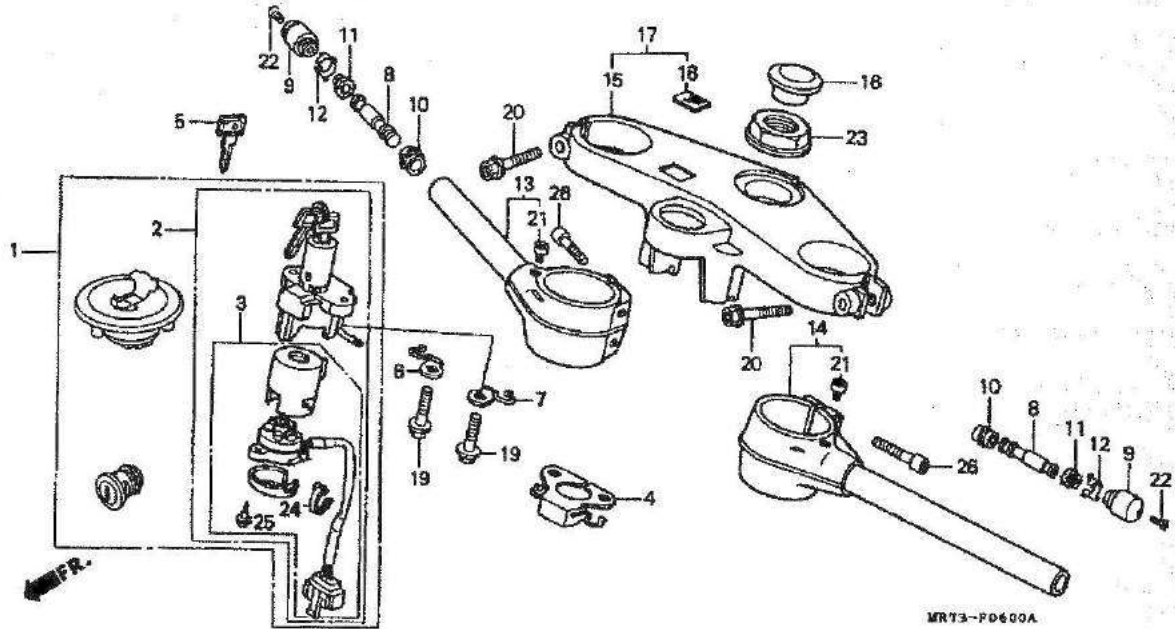
3

Service item	F.R.T.	Ref. No.	Part No.	Description	Reqd. No. VFR750R	Serial No.	Area code
		11	53107-MB6-630	RUBBER B, HANDLE WEIGHT	2 2 2		
		12	53108-MK4-000	RING, HANDLE WEIGHT SNAP	2 2 2		
		13	53110-MR7-000	PIPE ASSY., R. STEERING HANDLE	1 1 1		
		14	53160-MR7-000	PIPE ASSY., L. STEERING HANDLE	1 1 1		
		15	53230-MR7-000	BRIDGE, FORK TOP	1 - 1		AR,B,E,ED,F,FI,G,H,IT,N NZ,SD,SW,U
					1 1 -		CM,SP
					- 1 -	2100649	AR,B,E,ED,F,G,IT,SD,SW
		16	53232-MR7-000	CAP, STEERING STEM NUT	1 1 1		
		17	53300-MR7-000	BRIDGE COMP., FORK TOP	- 1 -	2100650	AR,B,E,ED,F,G,IT,SD,SW
					- 1 -		U

J 16

F-6

Handle pipe • Top bridge
 Guidon • Haut de fourche
 Lenkrohr • Obere Brücke
 Tubo do manubrio •
 Puente superior



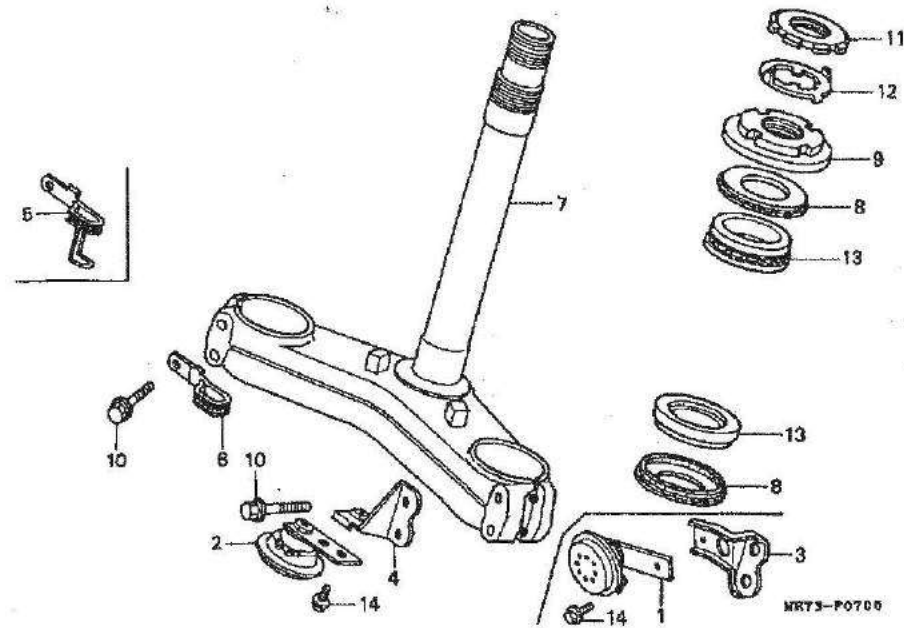
3

Service item	F.R.T.	Ref. No.	Part No.	Description	Reqd. No. VFR790R	Serial No.	Area code
		* 18	86150-MN8-300	EMBLEM, WING MARK	- 1 -	2100650	AR, B, E, ED, F, G, IT, SD, SW
		19	90104-MJ1-000	BOLT, FLANGE, 8X19	- 1 -	U
			90105-KE1-722	BOLT, COMBINATION SWITCH	2 2 2	AR, B, CM, E, ED, F, H, IT, N, NZ
				SETTING	2 2 -	SP, SW, U
		20	90109-MR7-000	BOLT, FLANGE, 8X45	2 2 2	FI, G, SD
		21	90111-MJ8-700	BOLT, TORX, 8X10	2 2 2	
		22	90191-MJ0-000	SCREW, OVAL, 6X50	2 2 2	
		23	90304-MR7-000	NUT, STEERING STEM	1 1 1	
		24	91058-MG9-881	BAND, SELF LOCK	1 1 1	
		25	91059-MK4-601	SCREW, TAPPING, 3X16	3 3 3	
		26	96700-06028-00	BOLT, SOCKET, 6X28	4 4 4	

K 1

F-7

Steering stem
Tige de direction
Steuerkopfschaft
Vañilla de dirección



← R.F.

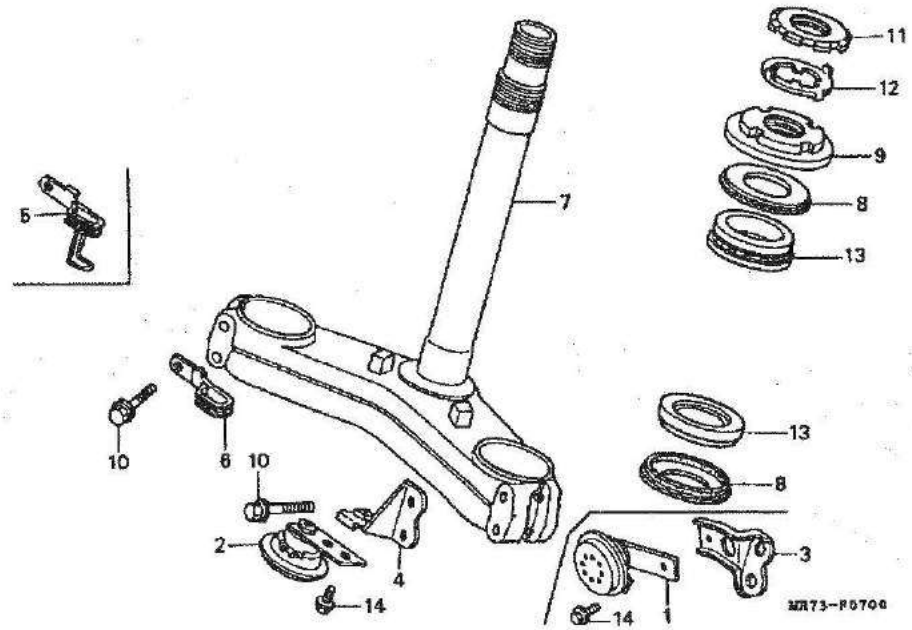
3

Service item	F.R.T.	Ref. No.	Part No.	Description	Reqd. No. VFR750R	Serial No.	Area code
HORN COMP.	0.3	1	38110-KE4-730	HORN COMP.	1	1	NZ,U
STEM COMP., STEERING	1.5	2	38110-MA6-004	HORN COMP., HIGH	1	1	B,E,ED,FI,G,H,N,SD
THREAD COMP., STEERING HEAD					1	1	CM,SP
	TOP				-	1	2100730 B,E,ED,G,SD
BEARING, HEAD PIPE	1.4		38110-MA6-622	HORN COMP. (HIGH)	1	-	AR,F,IT,SW
(ONE OR ALL)		*	38110-MK4-860	HORN COMP. (HIGH)	-	1	2100614 2100614 AR,F,IT,SW
		*	38110-MR7-008	HORN COMP. (HIGH)	-	1	2100719 2100719 AR,F,IT,SW
					-	1	2100731 B,E,ED,G,SD
					-	1	2100720 AR,F,IT,SW
		3	38115-MR7-000	STAY, HORN	1	-	NZ,U
		*	38115-MR7-010	STAY, HORN	-	1	U
		4	38115-MR7-600	STAY, HORN	1	-	AR,B,CM,E,ED,F,FI,G,H,IT
					-	1	N,SD,SP,SW
					-	1	2100463 AR,B,E,ED,F,G,IT,SD,SW
					-	1	OM000056 SP

K 2

F-7

Steering stem
Tige de direction
Steuerkopfschaft
Valilla de dirección



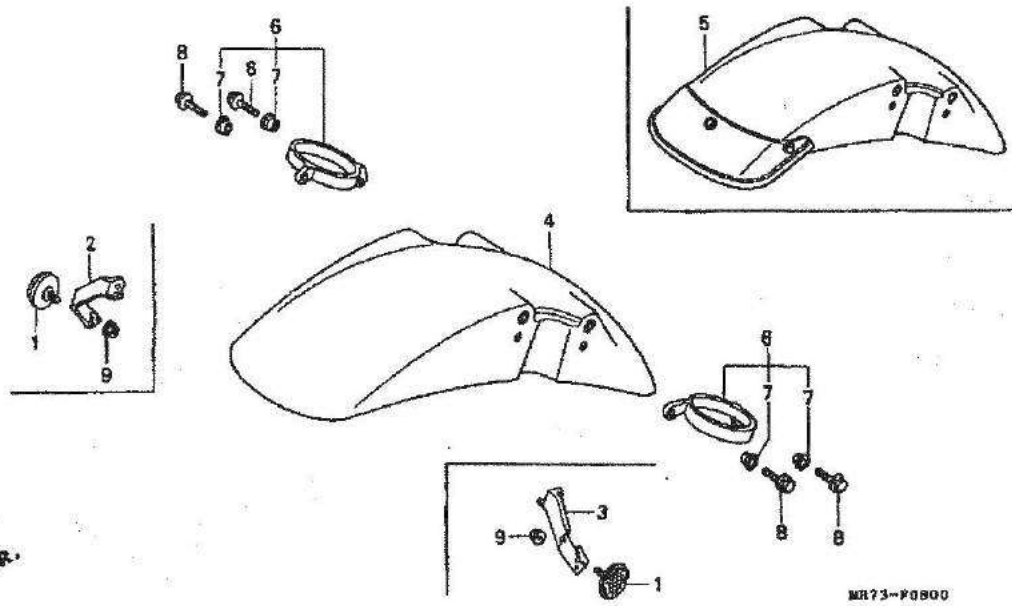
3

Service item	F.R.T.	Ref. No.	Part No.	Description	Reqd. No.			Serial No.	Area code
					VFR750R	K	L		
		* (4)	38116-MR7-601	STAY, HORN	-	1	-	2100454	AR,B,E,ED,F,G,IT,SD,SW
					-	1	-		CM
					-	1	-	0MD00067	SP
		5	45110-MR7-600	CLAMPER, FR. BRAKE HOSE	1	1	1		AR,B,CM,E,ED,F,FI,G,H,IT N,SD,SP,SW
		6	45155-MR7-000	CLAMPER, FR. BRAKE HOSE	1	1	-		NZ,U
		7	53200-MR7-000	STEM COMP., STEERING	1	1	1		
		8	53214-MR7-003	DUST SEAL, STEERING HEAD					
		9	53220-MR7-000	THREAD COMP., STEERING HEAD					
				(ARAI) TOP	2	2	2		
		10	90108-MR7-000	BOLT, FLANGE, BX40	4	4	4		

K 4

F-8

Front fender
 Garde-boue avant
 Vorderer Kotflügel
 Parafango delantero



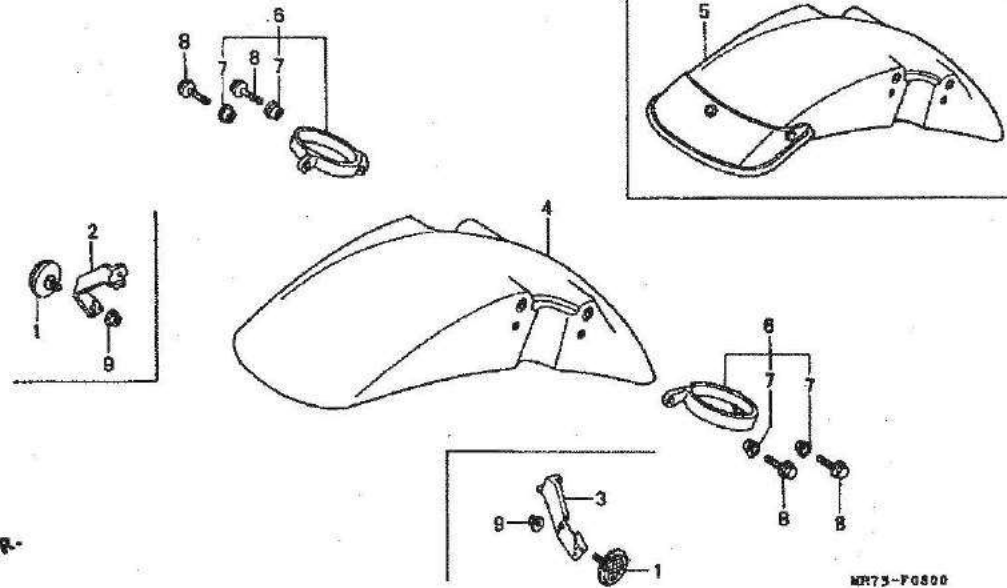
3

Service item	F.R.T.	Ref. No.	Part No.	Description	Reqd. No.	Serial No.	Area code
					VFR760R K 1		
FENDER COMP., FR.	0.2	1	33741-413-013	REFLECTOR, FR. REFLEX (STANLEY)	2 2 -	AR,CM
		2	33751-ML7-000	STAY, R. FR. REFLEX REFLECTOR	1 1 -	AR,CM
		3	33752-ML7-000	STAY, L. FR. REFLEX REFLECTOR	1 1 -	AR,CM
		4	61100-MR7-000ZA	FENDER COMP., FR. *NH193PA*			
				PEARL CRYSTAL WHITE-A	1 1 1	AR,B,CM,E,ED,F,FI,G,H,IT N,NZ,SD,SP,SW
					- 1 -	U
		5	61100-MR7-790ZA	FENDER COMP., FR. *NH193PA*			
				PEARL CRYSTAL WHITE-A	1 - -	U
		6	61105-MR7-000	STAY, FR. FENDER MOUNTING	2 2 2		
		7	61107-MR7-000	COLLAR (6.5)	4 4 4		

K 5

F-8

Front fender
Garde-boue avant
Vorderer Kotflügel
Parafango delantero



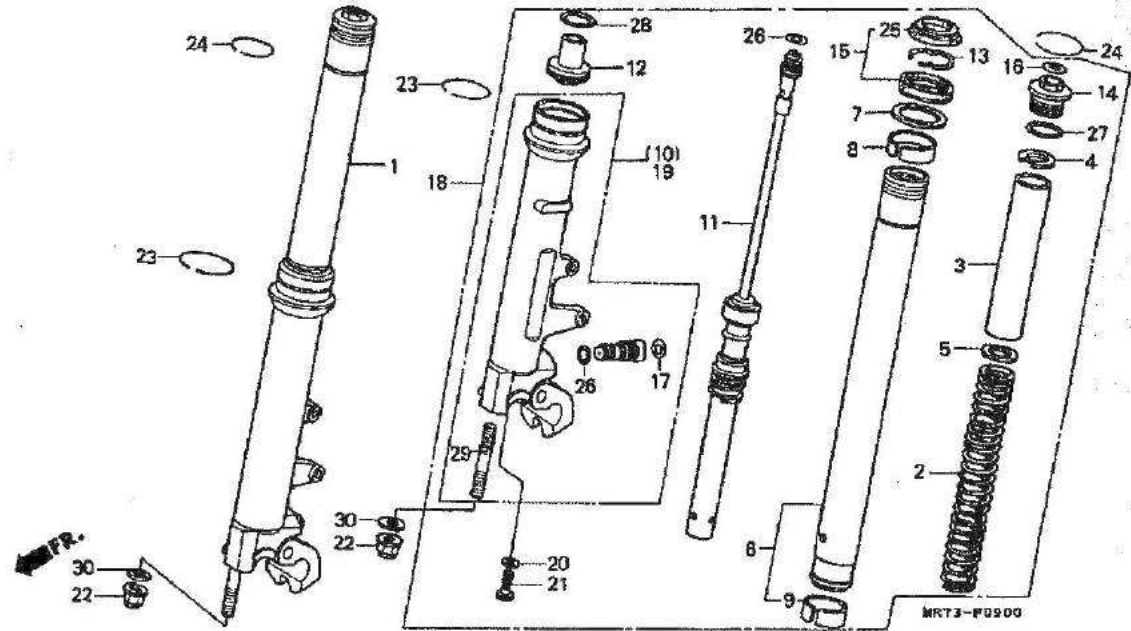
3

Service item	F.R.T.	Ref. No.	Part No.	Description	Reqd. No. VFR750R	Serial No.	Area code
		8	90134-MR7-000	BOLT, FLANGE, 6X18	4 4 4		
		9	94050-08000	NUT, FLANGE, 6MM	2 2 -		AR.CM

K 6

F-9

Front fork
Fourche avant
Vordergabel
Horquilla delantera



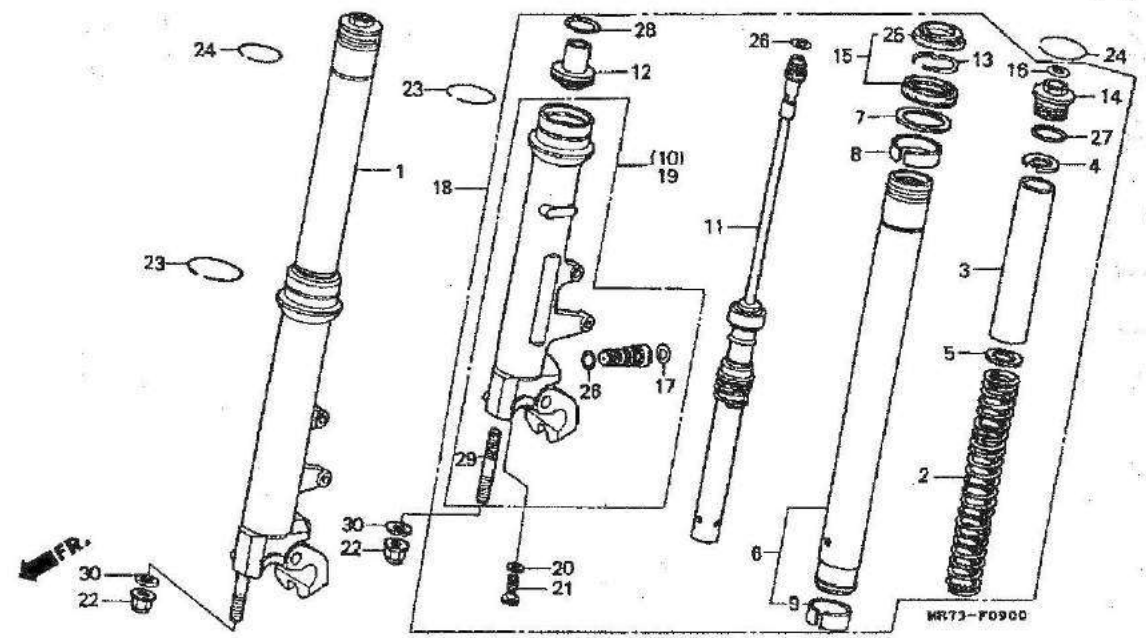
3

Service Item	F.R.T.	Ref. No.	Part No.	Description	Reqd. No. VFR750R K 1	Serial No.	Area code
FORK ASSY., FR. (ADD 0.2 FOR EACH.)	0.7	1	51400-MR7-601	FORK ASSY., R. FR. (SHOWA)	1 1 1		AR,B,CM,E,ED,F,FI,H,IT,N NZ,SD,SP,SW,U
SPRING, FR. FORK (ADD 0.2 FOR EACH.)	0.4	2	51401-MR7-003	SPRING, FR. FORK (SHOWA)	1 1 -		G
.BOLT, FR. FORK (ADD 0.2 FOR EACH.)		3	51402-MR7-003	COLLAR, SPRING	2 2 2		
PIPE COMP., FR. FORK (ADD 0.7 FOR EACH.)	1.2	4	51404-MR7-003	SEAT, SPRING	2 2 2		
CASE COMP., BOTTOM (ADD 0.8 FOR EACH.)	1.3	5	51405-KA4-711	SEAT, SPRING	2 2 2		
DAMPER COMP., FR. FORK (ADD 0.5 FOR EACH.)	1.0	6	51410-MR7-003	PIPE COMP., FR. FORK	2 2 2		
SEAL SET, FR. FORK (ADD 0.6 FOR EACH.)	1.1	7	51412-KA4-711	RING, BACK UP	2 2 2		
		8	51414-MN1-671	BUSH, GUIDE	2 2 2		
		9	51415-KS6-831	BUSH, SLIDER (SHOWA)	2 2 2		
		10	51421-MR7-003	CASE COMP., R. BOTTOM (SHOWA)	1 1 1		AR,B,CM,E,ED,F,FI,H,IT,N NZ,SD,SP,SW,U

K 7

F-9

Front fork
 Fourche avant
 Vordergabel
 Horquilla delantero



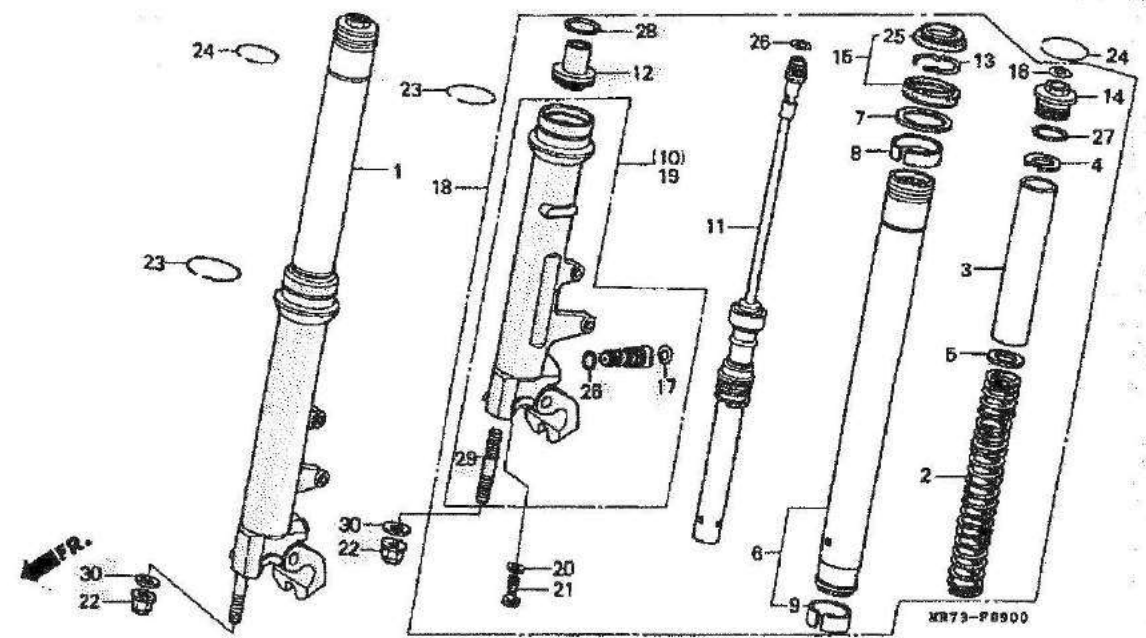
3

Service item	F.R.T.	Ref. No.	Part No.	Description	Reod. No.			Serial No.	Area code
					VFR750R	K	L		
		10)	51421-MR7-611	CASE COMP., R. BOTTOM (SHOWA)	1	1	-	-----	G
		11	51430-MR7-003	DAMPER COMP., FR. FORK	2	2	2	-----	
		12	51432-MR7-003	PIECE, OIL LOCK	2	2	2	-----	
		13	51447-KA4-711	RING, OIL SEAL STOPPER	2	2	2	-----	
		14	51454-MR7-003	BOLT, FR. FORK	2	2	2	-----	
		15	51490-MR7-306	SEAL SET, FR. FORK	2	2	2	-----	
		16	51498-MR7-003	LABEL <i>LABEL "B"</i>	2	2	2	-----	
		17	51497-MR7-003	LABEL C	2	2	2	-----	
		18	51500-MR7-601	FORK ASSY., L. FR. (SHOWA)	1	1	1	-----	AR,B,CM,E,ED,F,FI,H,IT,N NZ,SD,SP,SW,U
			51500-MR7-611	FORK ASSY., L. FR. (SHOWA)	1	1	-	-----	G

K 8

F-9

Front fork
 Fourche avant
 Vordergabel
 Horquilla delantero



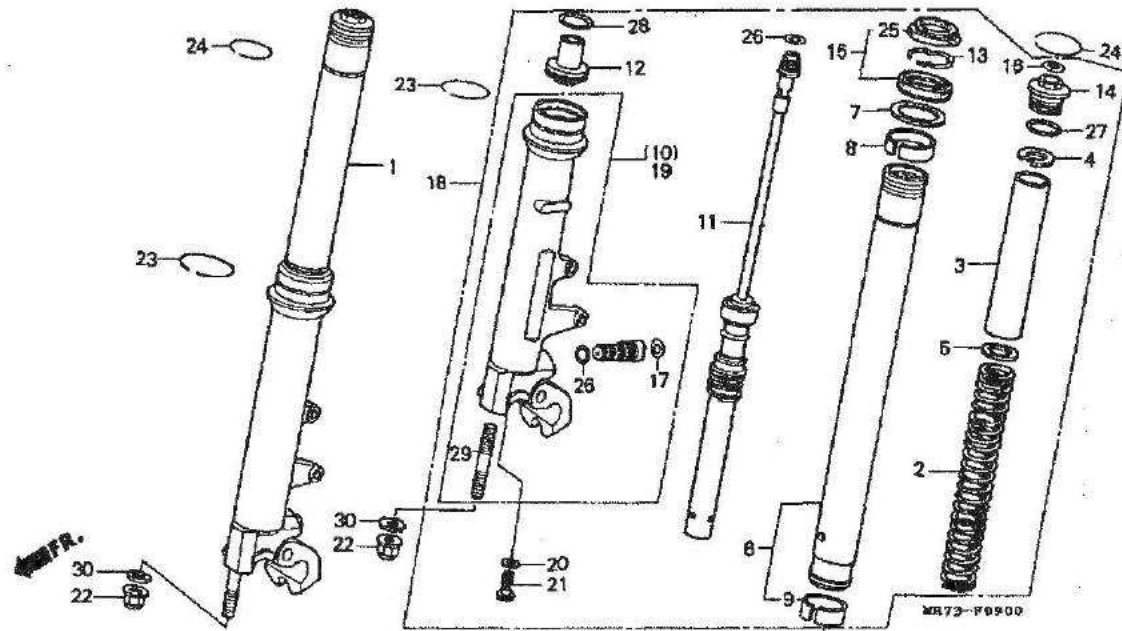
3

Service item	F.R.T.	Ref. No.	Part No.	Description	Reqd. No.			Serial No.	Area code
					VFR750R	K	L		
		19	51521-MR7-003	CASE COMP., L. BOTTOM (SHOWA)	1	1	1	-----	AR,B,CM,E,ED,F,FI,H,IT,N
			51521-MR7-611	CASE COMP., L. BOTTOM (SHOWA)	1	1	-	-----	NZ,SD,SP,SW,U
		20	52442-KA3-711	WASHER, SPECIAL, 10MM	2	2	2	-----	G
		21	90126-MR7-003	BOLT, SOCKET, 10X35	2	2	2	-----	
		22	90306-181-761	NUT, FLANGE, 12MM	2	2	2	-----	
		23	90805-MR7-000	RING, SNAP	2	2	2	-----	
		24	90857-MR7-000	RING, STOPPER	2	2	2	-----	
		25	91254-MR7-003	DUST SEAL	2	2	2	-----	
		26	91311-MR7-003	O-RING, 13.8X2.4	4	4	4	-----	
		27	91366-KA4-711	O-RING, 35.2X2.4	2	2	2	-----	
		28	91368-MA6-003	O-RING, 39.5X2.0	2	2	2	-----	
		29	92900-12045-0E	BOLT 2, STUD, 12X45	2	2	2	-----	AR,B,CM,E,ED,F,FI,H,IT,N
								-----	NZ,SD,SP,SW,U

K 9

F-9

Front fork
Fourche avant
Vordergabel
Horquilla delantero



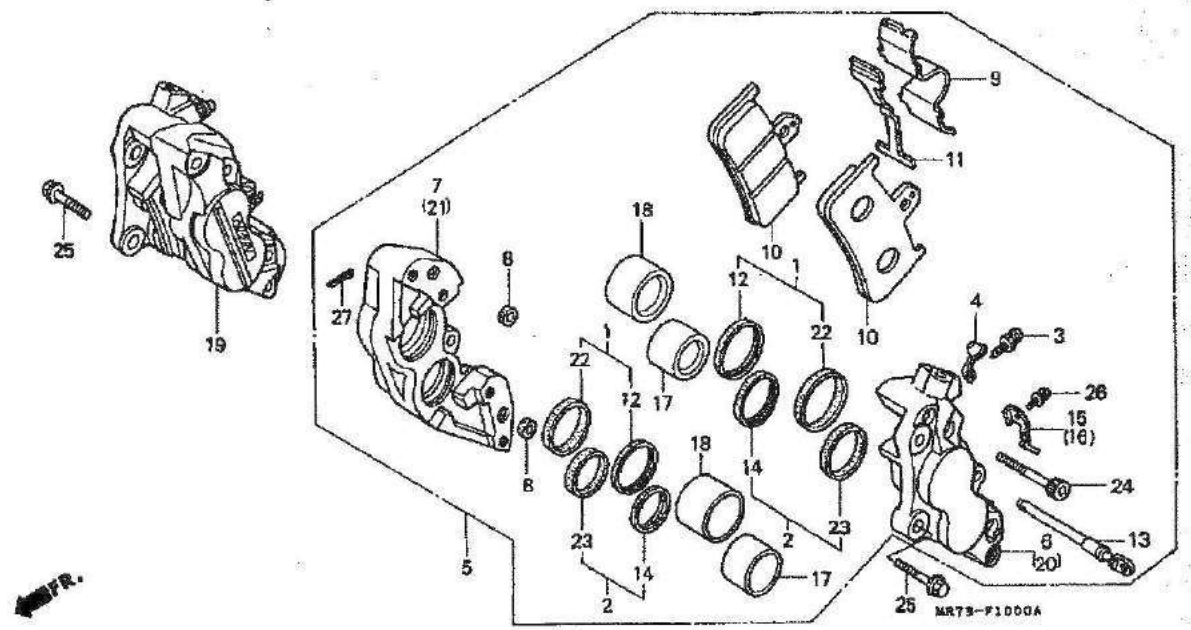
3

Service item	F.R.T.	Ref. No.	Part No.	Description	Reql. No. VFR760R K	Serial No.	Area code
		29)	90127-MR7-611	BOLT, STUD, 12X43.5	2 2		G
		30	94101-12000	WASHER, PLAIN, 12MM	2 2 2		

K 10

F-10

Front brake caliper
 Etrier de frein avant
 Vorderradbremsattel
 Calibrador de freno delantero



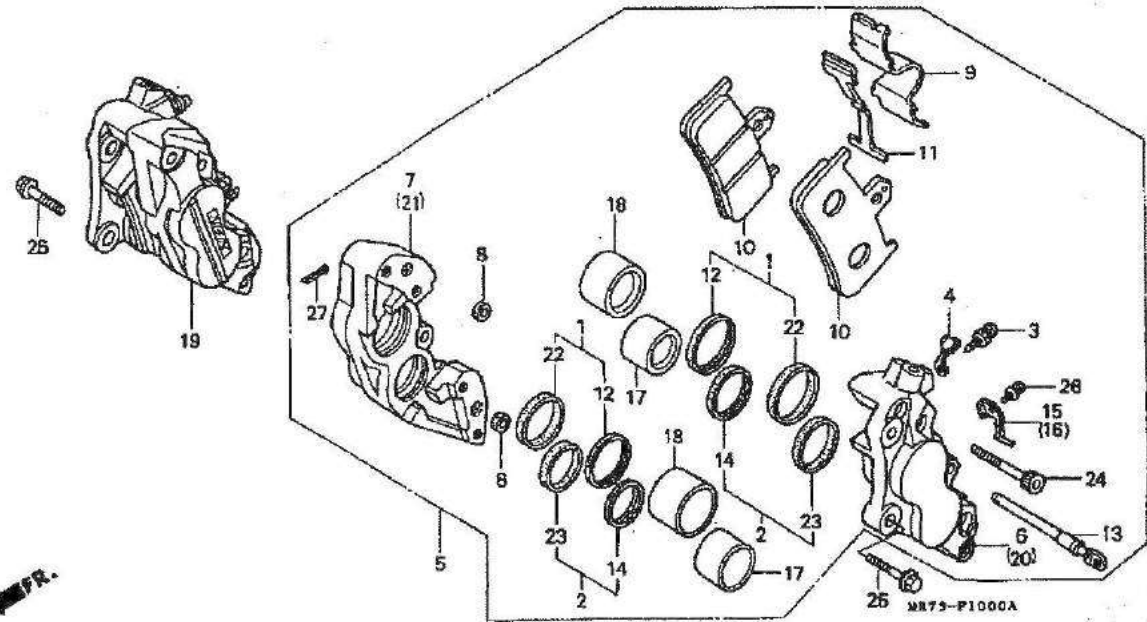
3

Service item	F.R.T.	Ref. No.	Part No.	Description	Reqd. No. VFR750R	Serial No.	Area code
CALIPER ASSY., FR. (ADD 0.2 FOR EACH.)	0.4	* 1	06451-MA7-405	SEAL SET, PISTON	- 4 4		AR,B,E,ED,F,G,IT,SD,SP,SW U
BODY A, CALIPER (ADD 0.4 FOR EACH.)	0.6	* 2	06451-166-406	SEAL SET, PISTON	- 4 4		AR,B,E,ED,F,G,IT,SD,SP,SW U
BODY B, CALIPER (ADD 0.4 FOR EACH.)		3	43352-668-003	SCREW, BLEEDER	2 2 2		
PAD COMP. (ONE OR ALL)	0.2	4	43353-481-771	CAP, BLEEDER	2 2 2		
PISTON B (ADD 0.1 FOR EACH.) (INC. RELATIVE PART)	0.5	5	45100-MR7-612	CALIPER ASSY., L. FR. (NISSINTT2501HH)	1 1 1		AR,B,E,ED,F,FI,G,H,IT,N SD,SP,SW
			45100-MR7-681	CALIPER ASSY., L. FR. (NISSINMKF2GG)	1 1 -		CM,NZ,U
		6	45101-MR7-006	BODY A, L. FR. CALIPER	1 1 1		
		7	45102-MR7-006	BODY B, L. FR. CALIPER	1 1 1		
		8	45103-MR7-006	SEAL, JOINT	4 4 4		
		9	45104-MR7-006	COVER	2 2 2		

K 11

F-10

Front brake caliper
 Etrier de frein avant
 Vorderradbremssattel
 Calibrador de freno delantero



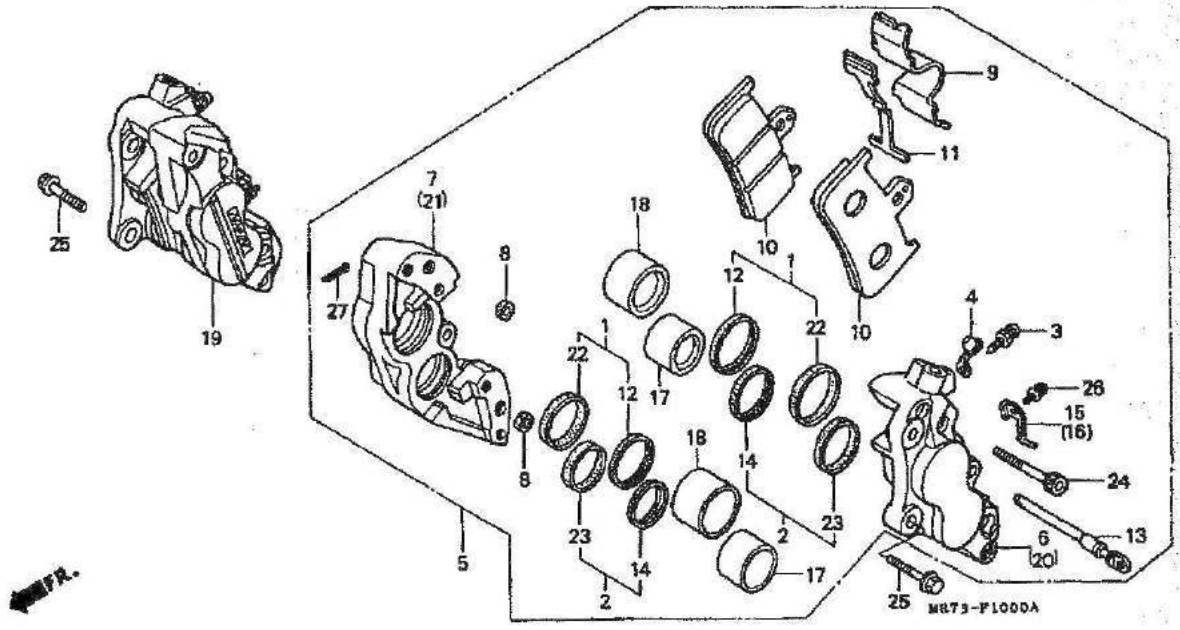
3

Service item	F.R.T.	Ref. No.	Part No.	Description	Reqd. No.			Serial No.	Area code
					VFR760R	K			
		10	45105-MR7-812	PAD COMP. (NISSIN JT2501HH)	4	4	4	AR,B,E,ED,F,FI,G,H,IT,N	
			45105-MR7-681	PAD COMP. (NISSIN MKF2GG)	4	4	-	SD,SP,SW CM,NZ,U	
		11	45106-MR7-006	SPRING, PAD	2	2	2		
		12	45109-MA7-006	DUST SEAL	4	4	4		
		13	45109-MR7-006	PIN, HANGER	2	2	2		
		14	45109-166-006	DUST SEAL	4	4	4		
		15	46113-MR7-006	SPRING, L. HANGER PIN	1	1	1		
		16	45114-MR7-006	SPRING, R. HANGER PIN	1	1	1		
		17	45117-MR7-006	PISTON A	4	4	4		
		18	45118-MR7-006	PISTON B	4	4	4		

K 12

F-10

Front brake caliper
Etrier de frein avant
Vorderradbremssattel
Calibrador de freno delantero



3

Service item	F.R.T.	Ref. No.	Part No.	Description	Reqd. No.	Serial No.	Area code	
					VFR750R K			
		19	45200-MR7-612	CALIPER ASSY., R. FR. (NISSIN TT2501HH)	1	1	1	AR,B,E,ED,F,FI,G,H,IT,N SD,SP,SW
			45200-MR7-681	CALIPER ASSY., R. FR. (NISSIN MKF2GG)	1	1	-	CM,NZ,U
		20	45201-MR7-006	BODY A, R. FR. CALIPER	1	1	1	
		21	45202-MR7-006	BODY B, R. FR. CALIPER	1	1	1	
		22	45209-MA7-006	SEAL, PISTON	4	4	4	
		23	45209-166-006	SEAL, PISTON	4	4	4	
		24	90102-MR7-006	BOLT, SOCKET, 8X45	8	8	8	
		25	90106-MR7-000	BOLT, FLANGE, 8X25	4	4	4	
		26	90124-MR7-006	SCREW-WASHER, 4XB	2	2	2	
		27	94201-16120	PIN, SPLIT, 1.6X12	2	2	2	

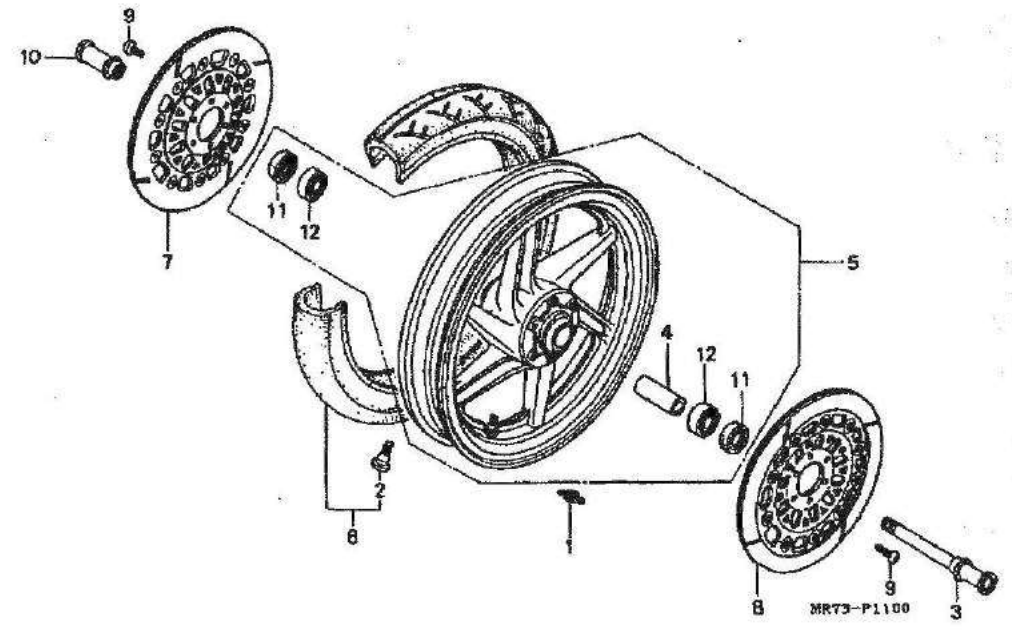
F-11

Front wheel

Roue avant

Vorderrad

Rueda delantera



3

Service item	F.R.T.	Ref. No.	Part No.	Description	Reqd. No.			Serial No.	Area code
					VFR750R	K	L		
WEIGHT, BALANCE	0.8	1	42704-MB0-000	WEIGHT, BALANCE (10G)	N	N	N		
AXLE, FR. WHEEL	0.4		42705-MB0-000	WEIGHT, BALANCE (20G)	N	N	N		
.DISK COMP., FR. BRAKE (ADD 0.1 FOR EACH.)			42706-MB0-000	WEIGHT, BALANCE (30G)	N	N	N		
COLLAR, FR. AXLE DISTANCE	0.6	2	42753-ML7-003	VALVE, RIM (BS)	1	1	1		
.BEARING, RADIAL BALL, 6004UU (ADD 0.1 FOR EACH.)			42753-ML7-004	VALVE, RIM (DUNLOP)	-	1	-	2100637	AR,B,E,ED,F,G,IT,SD U
WHEEL SET, FR.	1.3	3	44301-MR7-000	AXLE, FR. WHEEL	1	1	1		
TIRE ASSY., FR.	1.2	4	44620-MR7-000	COLLAR, FR. AXLE DISTANCE	1	1	1		
		5	44650-MR7-306ZA	WHEEL SET, FR. *NH196*	1	1	1		AR,B,CM,E,ED,F,FI,G,H,IT N,NZ,SD,SP,U
			44650-MR7-306ZA	*NH188*	1	1	-		SW
		6	44710-MR7-611	TIRE ASSY., FR. (BS) (120/70 V17-V270 G553)	1	1	1		AR,B,CM,E,ED,F,FI,G,H,IT N,NZ,SD,SP,U

K 14

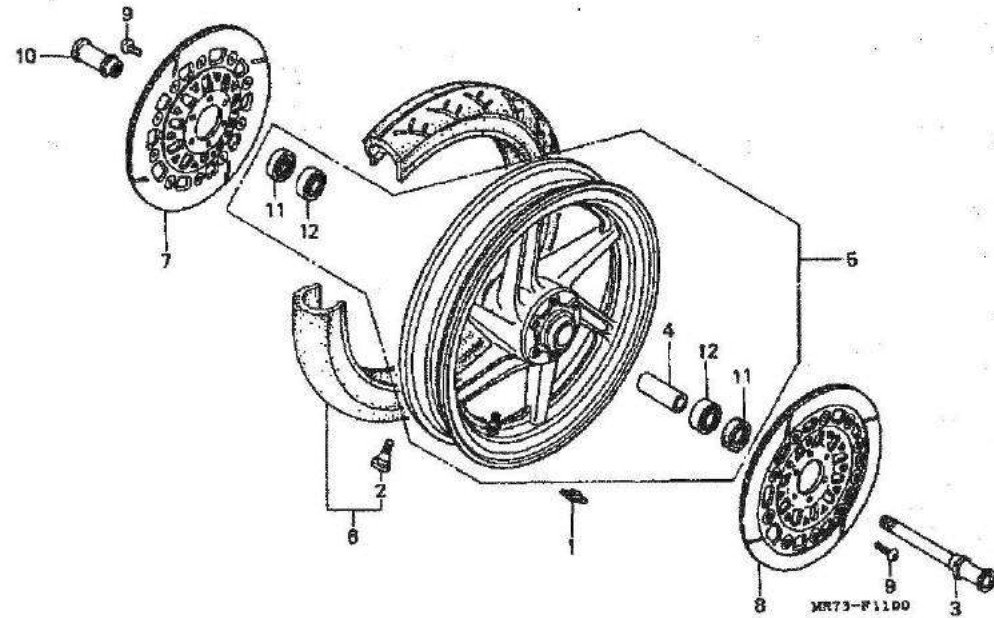
F-11

Front wheel

Roue avant

Vorderrad

Rueda delantera



3

Service item	F.R.T.	Ref. No.	Part No.	Description	Reqd. No. VFR750R	Serial No.	Area code
		* (6)	44710-MR7-612	TIRE ASSY., FR. (DUNLOP) (120/70 V17-V270 K755F)	- 1 - - 2 - - - 1	2100637	AR,B,E,ED,F,G,IT,SD U
			44710-MR7-691	TIRE ASSY., FR. (BS) (120/70 V17-V270)	1 1 -		SW
		7	45120-MR7-000	DISK COMP., R. FR. BRAKE	1 1 -		CM
		*	45120-MR7-010	DISK COMP., R. FR. BRAKE	1 1 -		AR,B,E,ED,F,FI,G,H,IT,N NZ,SD,SP,SW,U
		8	45220-MR7-000	DISK COMP., L. FR. BRAKE	1 1 -		CM
		*	45220-MR7-010	DISK COMP., L. FR. BRAKE	1 1 -		AR,B,E,ED,F,FI,G,H,IT,N NZ,SD,SP,SW,U

K 15

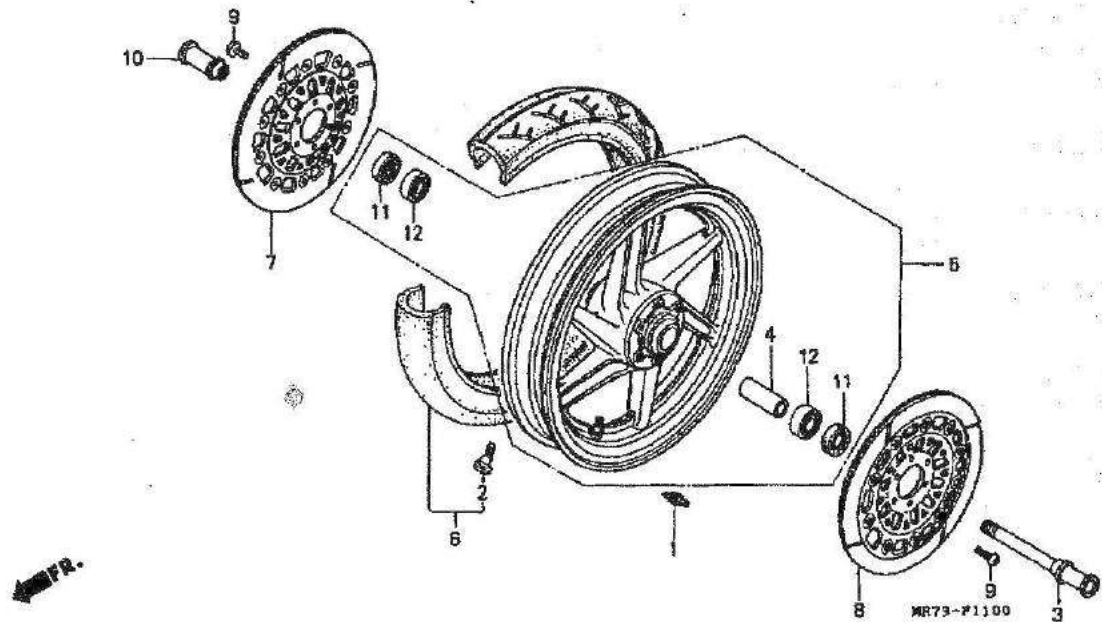
F-11

Front wheel

Roue avant

Vorderrad

Rueda delantera



FR.

3

Service item	F.R.T.	Ref. No.	Part No.	Description	Reqd. No.			Serial No.	Area code
					VFR750R	K	L		
		9	90105-KA3-730	BOLT, FR. DISK, 6X17	12	-	-		AR,B,E,ED,F,FI,G,H,IT,N NZ,SD,SP,SW,U
					12	12	-		CM
					-	12	-	2100449	AR,B,E,ED,F,G,IT,SD,SW
		*	90105-KN5-000	BOLT, DISK, 6X17	-	12	-	0M000053	SP
					-	12	-	2100450	AR,B,E,ED,F,G,IT,SD,SW
					-	12	-	0M000054	SP
					-	12	-		U
					-	-	12		
		10	90305-MR7-000	NUT, FR. AXLE	1	1	1		
		11	91257-KA3-711	DUST SEAL, 28X42X8 (NOK)	2	2	2		
			91257-KA3-712	DUST SEAL, 28X42X8 (ARA)	2	2	2		
		12	96150-80040-10	BEARING, RADIAL BALL, 6004UU	2	2	2		

K 16

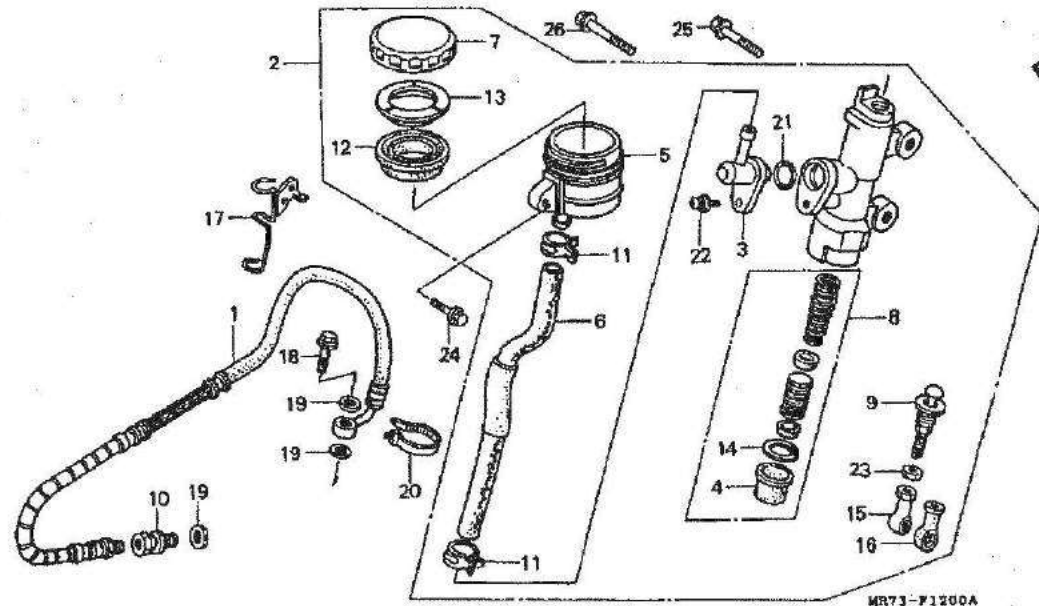
F-12

Rear brake master cylinder

Maître cylindre de frein arrière

Hinterradbremse-Hauptzylinder

Cilindro maestro de freno trasera



MR73-F1200A

3

Service item	F.R.T.	Ref. No.	Part No.	Description	Read No. VFR750R	Serial No.	Area code
HOSE, RR. BRAKE	0.6	1	43310-MR7-003	HOSE, RR. BRAKE	1	1	AR,B,E,ED,F,FI,G,H,IT,N NZ,SD,SW,U
CYLINDER ASSY., RR. BRAKE MASTER					1	1	CM,SP
CUP COMP., OIL	0.3				-	1	2100786 AR,B,E,ED,F,G,IT,SD,SW
HOSE, MASTER CYLINDER					-	1	KM000017 U
PISTON SET, MASTER CYLINDER	0.5	*	43310-MR7-771	HOSE, RR. BRAKE	-	1	2100787 AR,B,E,ED,F,G,IT,SD,SW
DIAPHRAGM	0.2				-	1	KM000018 U
		2	43500-MR7-611	CYLINDER ASSY., RR. BRAKE MASTER (NISSIN)	1	1	1
		3	43503-MR7-006	CONNECTOR	1	1	1
		4	43504-MB2-006	BOOT COMP.	1	1	1
		5	43511-MR7-006	CUP COMP., OIL (NISSIN)	1	1	1
		6	43512-MR7-006	HOSE, MASTER CYLINDER	1	1	1
		7	43513-MB4-672	CAP COMP., OIL CUP	1	1	1
		8	43520-MB2-305	PISTON SET, MASTER CYLINDER	1	1	1
		9	43530-MB2-008	ROD COMP., PUSH	1	1	1

L 1

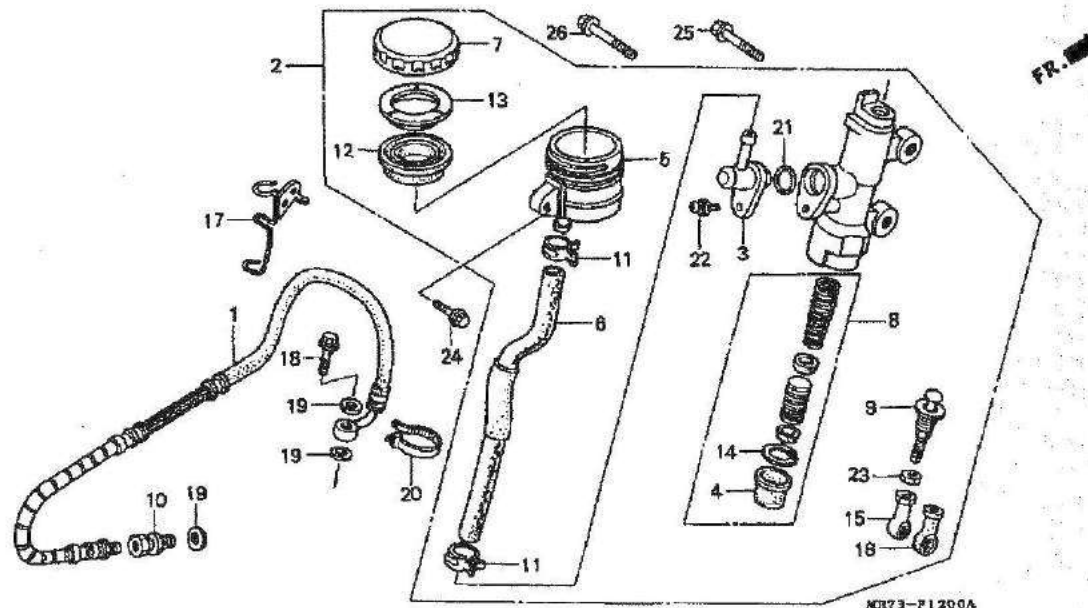
F-12

Rear brake master cylinder

Maître cylindre de frein arrière

Hinterradbremse-Hauptzylinder

Cilindro maestro de freno trasera



3

Service item	F.R.T.	Ref. No.	Part No.	Description	Read. No. VFR750R	Serial No.	Area code
		10	45127-KA3-831	JOINT, BRAKE HOSE	1 - 1		AR,B,E,ED,F,FI,G,H,IT,N NZ,SD,SW
			45127-KZ4-003	JOINT, BRAKE HOSE	- 1 -	2101044	CM,SP,U
					- 1 -	2101045	AR,B,E,ED,F,G,IT,SD,SW
		11	45514-KV3-006	CLAMP, MASTER CYLINDER OIL HOSE	2 2 2		
		12	45520-300-000	DIAPHRAGM	1 1 1		
		13	45521-MJ6-006	PLATE, DIAPHRAGM	1 1 1		
		14	46182-500-013	CIRCLIP	1 1 1		
		15	46505-MR7-300	ROD, TIE	1 1 1		
		16	46506-MR7-000	COVER, DUST	1 1 1		
		17	50406-MR7-000	GUIDE, RR. BRAKE HOSE	1 1 1		
		18	90145-KM3-750	BOLT, OIL, 10X22	1 1 1		
		19	90545-300-000	WASHER, OIL BOLT	3 3 3		

L 2

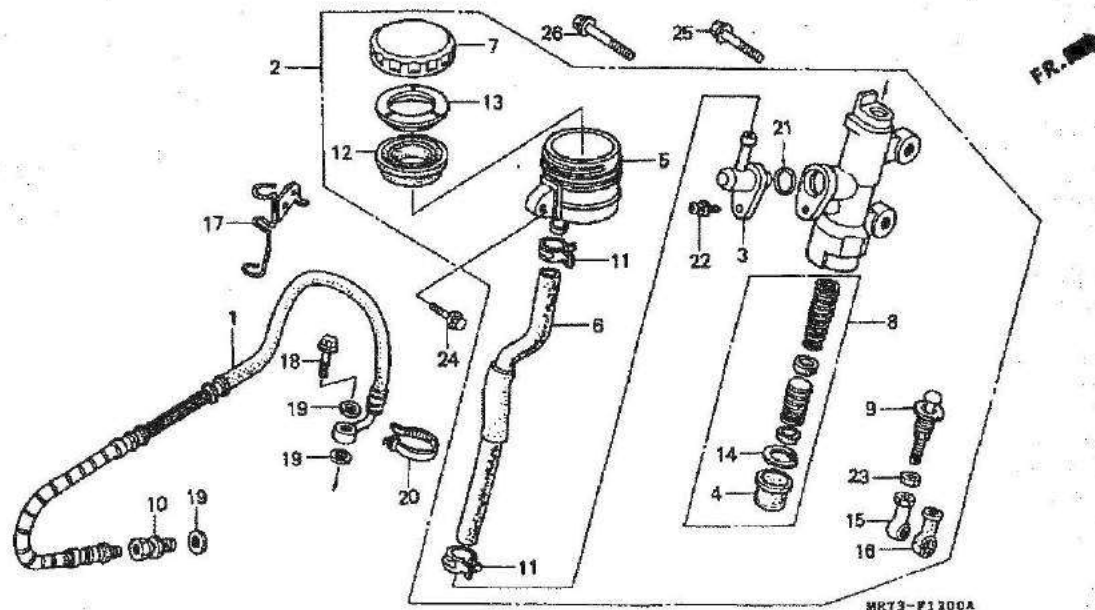
F-12

Rear brake master cylinder

Maître cylindre de frein arrière

Hinterradbremse-Hauptzylinder

Cilindro maestro de freno trasera



MR73-F1200A

3

Service item	F.R.T.	Ref. No.	Part No.	Description	Reqd. No. VFR750R	Serial No.	Area code
		20	90852-MA6-910	BAND, WIRE HARNESS	1 1 -		
		21	91212-422-006	O-RING, 14.8X2.4	1 1 1		
		22	93893-04012-17	SCREW-WASHER, 4X12	1 1 1		
		23	94002-08000-05	NUT, HEX., 8MM	1 1 1		
		24	96300-08016-00	BOLT, FLANGE, 6X16	1 1 1		
		25	96300-06020-00	BOLT, FLANGE, 6X20	1 - -		AR,B,E,ED,F,FI,G,H,IT,N NZ,SD,SP,SW,U
			96001-06025-07	BOLT, FLANGE, 6X25	1 1 -		CM
					- 1 1		AR,B,E,ED,F,G,IT,SD,SP,SW U
		26	96300-08025-00	BOLT, FLANGE, 6X25	1 - -		AR,B,E,ED,F,FI,G,H,IT,N NZ,SD,SP,SW,U
			96001-06025-07	BOLT, FLANGE, 6X25	1 1 -		CM
					- 1 1		AR,B,E,ED,F,G,IT,SD,SP,SW U

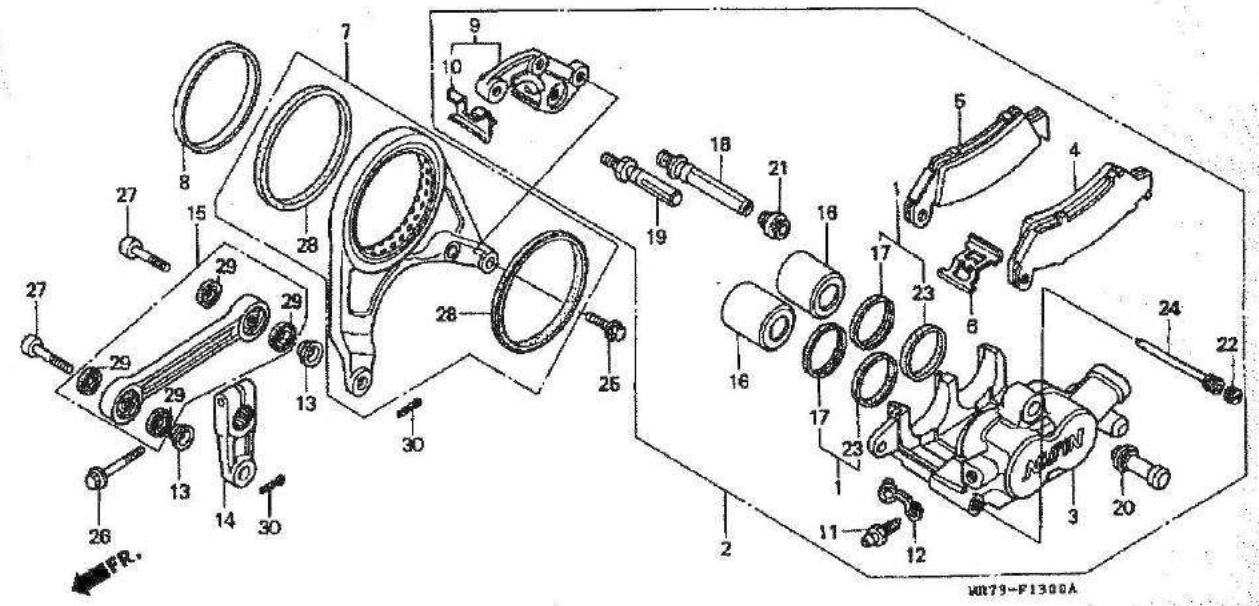
F-13

Rear brake caliper

Etrier de frein arrière

Hinterrad-Bremsattel

Calibrador de freno trasero



WR79-F1300A

3

Service item	F.R.T.	Ref. No.	Part No.	Description	Reqd. No. VFR750R	Serial No.	Area code
CALIPER ASSY., RR. PISTON (ADD 0.1 FOR EACH.) (INC. RELATIVE PART)	0.5	* 1	06451-GE2-405	SEAL SET, PISTON	- 2 2		AR,B,E,ED,F,G,IT,SD,SP,SW U
BODY, RR. CALIPER	0.7	2	43100-MR7-007	CALIPER ASSY., RR. (NISSIN)	1 - -	2000643	AR,B,E,ED,F,FI,G,H,IT,N NZ,SD,SP,SW,U
PAD COMP. A (ONE OR ALL)	0.2		43100-MR7-017	CALIPER ASSY., RR. (NISSIN)	1 - -	2000644	AR,B,E,ED,F,FI,G,H,IT,N NZ,SD,SP,SW,U
BRACKET COMP., RR. CALIPER	0.6				1 1 -		CM
STAY COMP., RR. BRAKE	0.4				- 1 -	2100644	AR,B,E,ED,F,G,IT,SD,SW SP
ARMA, BRAKE TORQUE	0.3	* 3	43100-MR7-027	CALIPER ASSY., RR. (NISSIN)	- 1 -	2100645	AR,B,E,ED,F,G,IT,SD,SW U
ROD ASSY. A, RR. BRAKE TORQUE					- 1 -		
			3	43101-MR7-006	BODY, RR. CALIPER (NISSIN)	1 1 1	

L 4

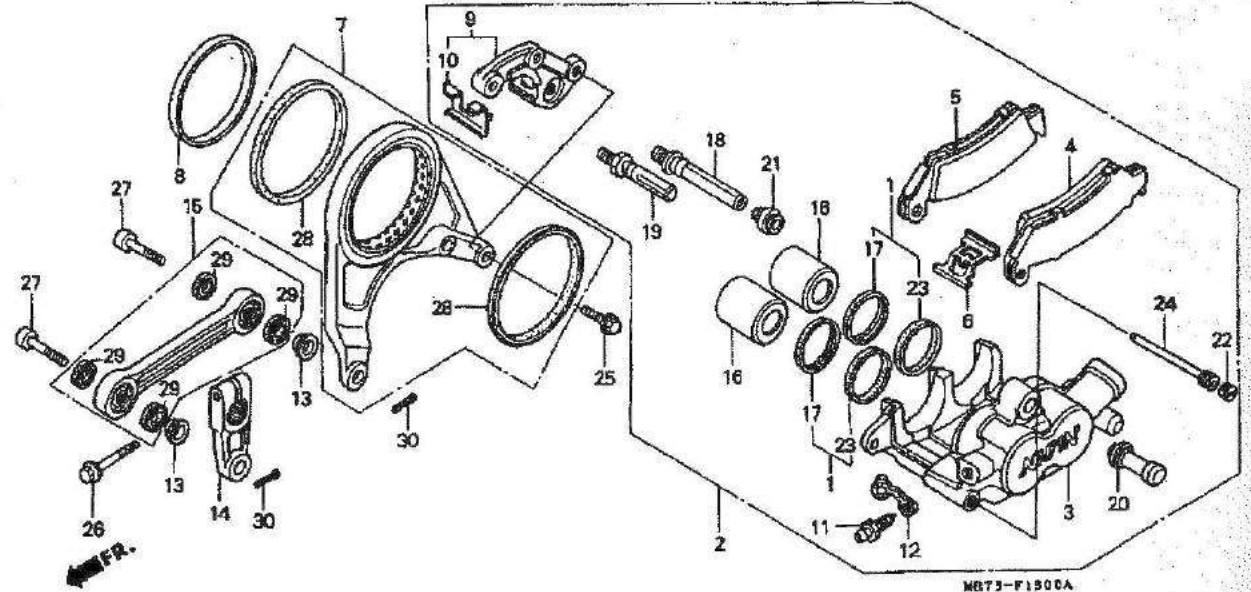
F-13

Rear brake caliper

Etrier de frein arrière

Hinterrad-Bremssattel

Calibrador de freno trasero



3

Service Item	F.R.T.	Ref. No.	Part No.	Description	Reqd. No. VFR750R K	Serial No.	Area code
		4	43105-MR7-007	PAD COMP. A (NISSIN)	1 - -	2000643	AR,B,E,ED,F,FI,G,H,IT,N NZ,SD,SP,SW,U
			43105-MR7-D17	PAD COMP. A (NISSIN)	1 - -	2000644	AR,B,E,ED,F,FI,G,H,IT,N NZ,SD,SP,SW,U
					1 1 -		CM
					- 1 1		AR,B,E,ED,F,G,IT,SD,SP,SW U
		5	43106-MR7-007	PAD COMP. B (NISSIN)	1 - -	2000643	AR,B,E,ED,F,FI,G,H,IT,N NZ,SD,SP,SW,U
			43106-MR7-D17	PAD COMP. B (NISSIN)	1 - -	2000644	AR,B,E,ED,F,FI,G,H,IT,N NZ,SD,SP,SW,U
					1 1 -		CM
					- 1 1		AR,B,E,ED,F,G,IT,SD,SP,SW U
		6	43108-KS6-701	SPRING, PAD	1 1 1		
		7	43110-MR7-000	BRACKET COMP., RR. CALIPER	1 1 1		

L 5

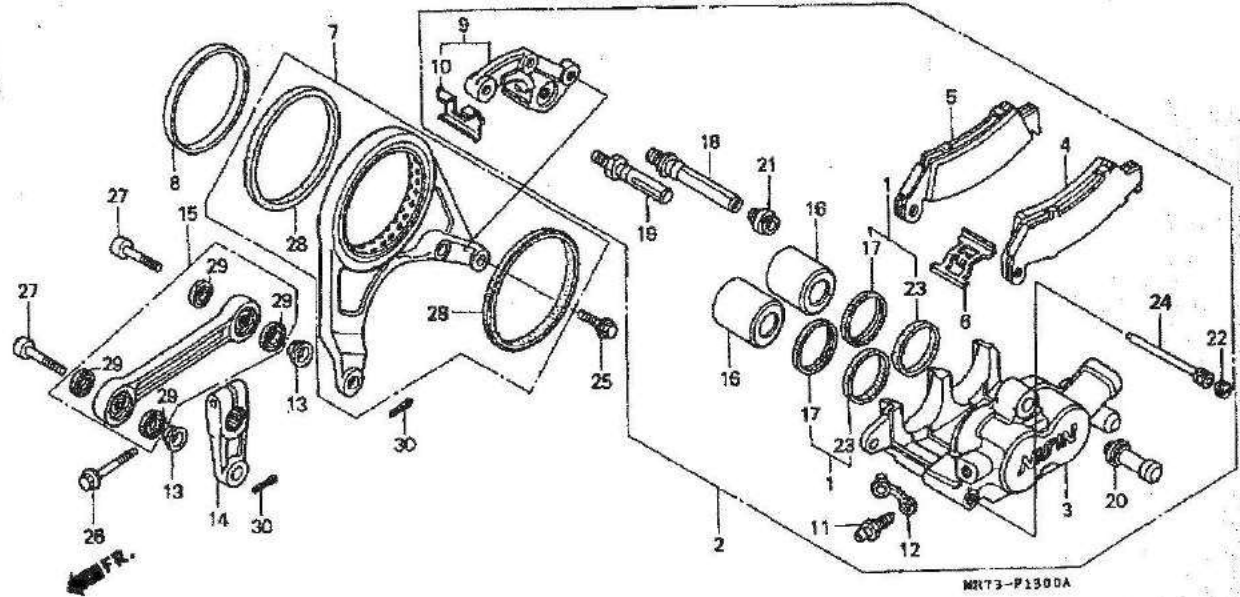
F-13

Rear brake caliper

Etrier de frein
arrière

Hinterrad-Bremssattel

Calibrador de freno
trasero



MR73-P1300A

3

Service item	F.R.T.	Ref. No.	Part No.	Description	Reqd. No. VFR750R	Serial No.	Area code
		8	43112-MR7-000	COLLAR, RR. CALIPER BRACKET	1	1	1
		9	43115-MR7-006	STAY COMP., RR. BRAKE (NISSIN)	1	-	-
					1	1	-
					-	1	-
		*	43116-MR7-016	STAY COMP., RR. BRAKE (NISSIN)	-	1	-
					-	1	-
					-	1	-
		10	43116-MR7-006	RETAINER	1	1	1
		11	43352-688-003	SCREW, BLEEDER	1	1	1
		12	43353-461-771	CAP, BLEEDER	1	1	1
		13	43433-MR7-000	COLLAR, TORQUE LINK	2	2	2
		14	43435-MR7-000	ARM A, BRAKE TORQUE	1	1	1

L 6

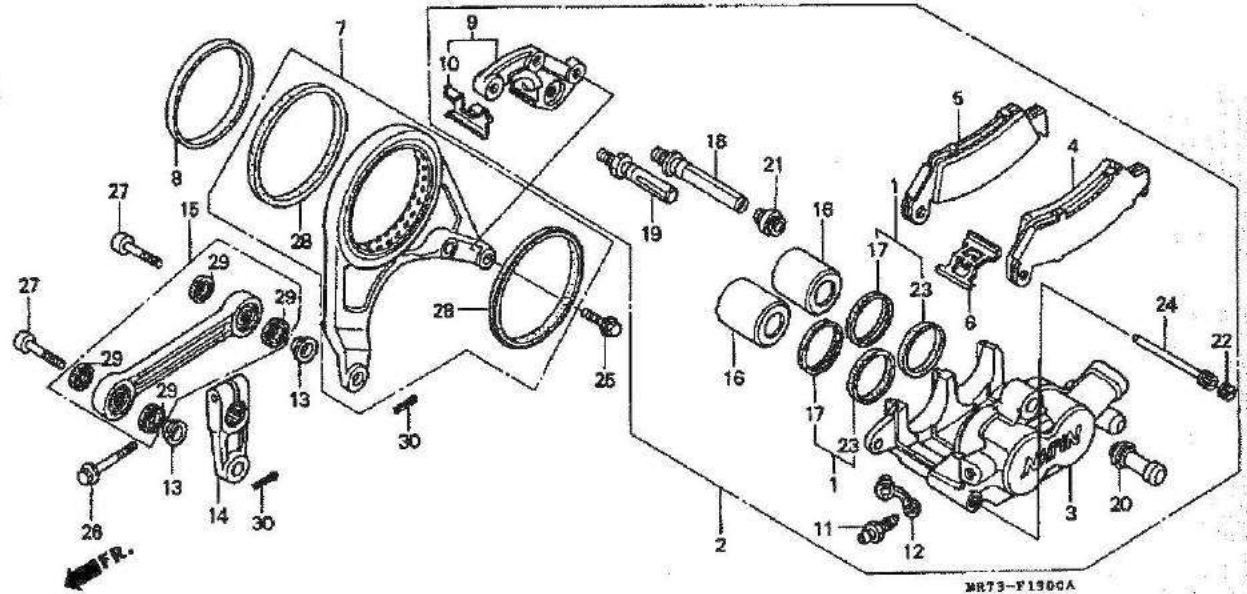
F-13

Rear brake caliper

Etrier de frein
arrière

Hinterrad-Bremsattel

Calibrador de freno
trasero



3

Service item	F.R.T.	Ref. No.	Part No.	Description	Reqd. No. VFR750R	Serial No.	Area code
		15	43440-MR7-000	ROD ASSY. A. RR. BRAKE TORQUE	1 1 1		
		16	45107-MN5-008	PISTON	2 2 2		
		17	45108-GE2-006	DUST SEAL	2 2 2		
		18	45131-HA5-671	BOLT A, PIN	1 - -		AR,B,E,ED,F,FI,G,H,IT,N NZ,SD,SW,U CM,SP
		*	45131-HA5-672	BOLT A, PIN	- 1 -	2100644	AR,B,E,ED,F,G,IT,SD,SW
					- 1 -	2100645	AR,B,E,ED,F,G,IT,SD,SW
		19	45131-168-016	BOLT, PIN	1 1 1		
		20	45132-168-016	BOOT, PIN BOLT	1 1 1		
		21	45133-MA3-008	BOOT B	1 1 1		

L 7

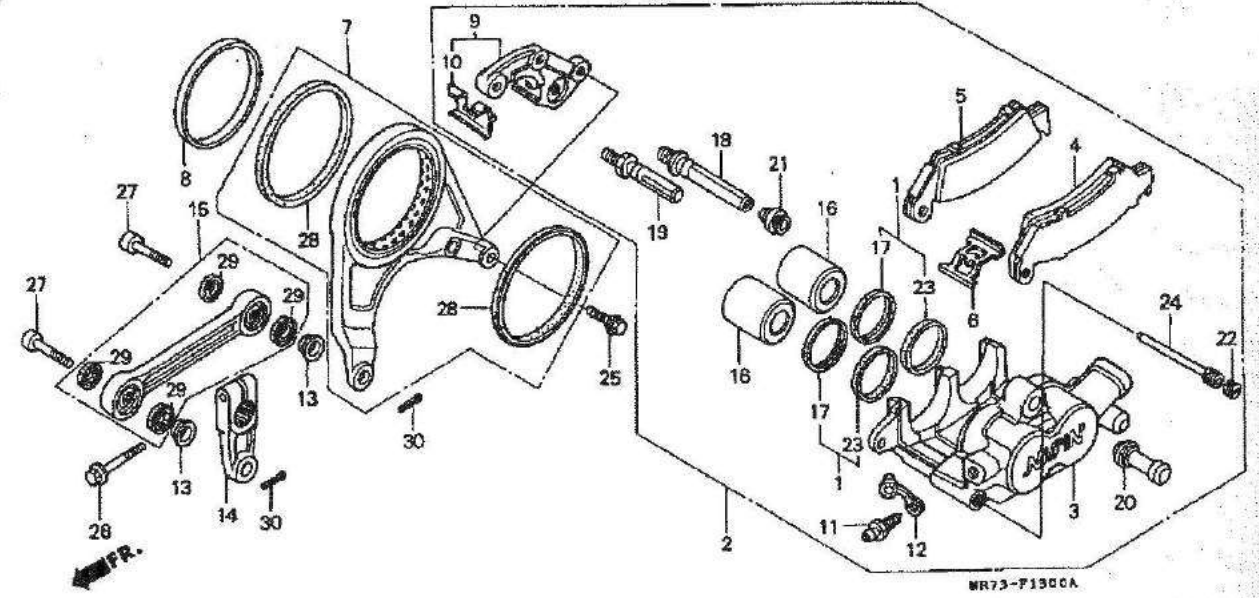
F-13

Rear brake caliper

Etrier de frein arrière

Hinterrad-Bremssattel

Calibrador de freno trasero



3

Service item	F.R.T.	Ref. No.	Part No.	Description	Road. No.			Serial No.	Area code
					V	K	L		
		22	45203-MG3-006	PLUG, PIN	1	-	-		AR,B,E,ED,F,FI,G,H,IT,N NZ,SD,SW,U
					1	1	-		CM,SP
		*	45203-MG3-018	PLUG, PIN	-	1	-	2100644	AR,B,E,ED,F,G,IT,SD,SW
					-	1	-		AR,B,E,ED,F,G,IT,SD,SW
					-	1	-		U
		23	45209-GE2-008	SEAL, PISTON	2	2	2		
		24	45215-KA3-731	PIN, HANGER	1	-	-		AR,B,E,ED,F,FI,G,H,IT,N NZ,SD,SW,U
					1	1	-		CM,SP
		*	45215-KA3-732	PIN, HANGER	-	1	-	2100644	AR,B,E,ED,F,G,IT,SD,SW
					-	1	-		AR,B,E,ED,F,G,IT,SD,SW
					-	1	-		U
		25	90105-MR7-000	BOLT, FLANGE, 8X20	2	2	2		
		26	90107-MR7-000	BOLT, FLANGE, 8X32	1	1	1		

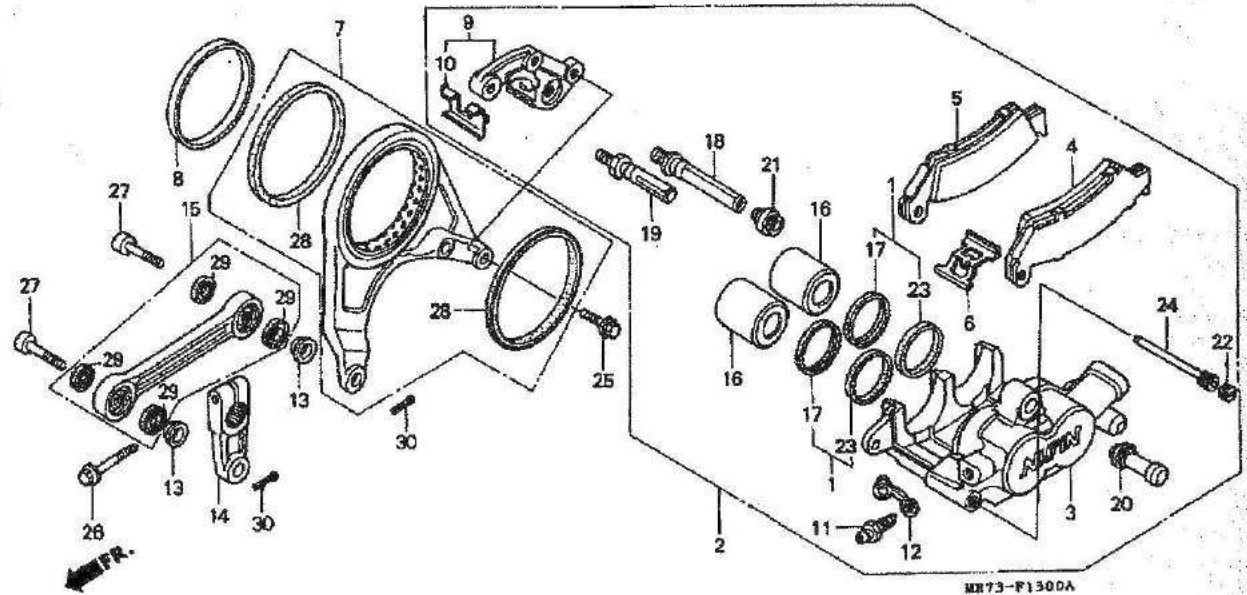
F-13

Rear brake caliper

Etrier de frein
arrière

Hinterrad-Bremssattel

Calibrador de freno
trasero



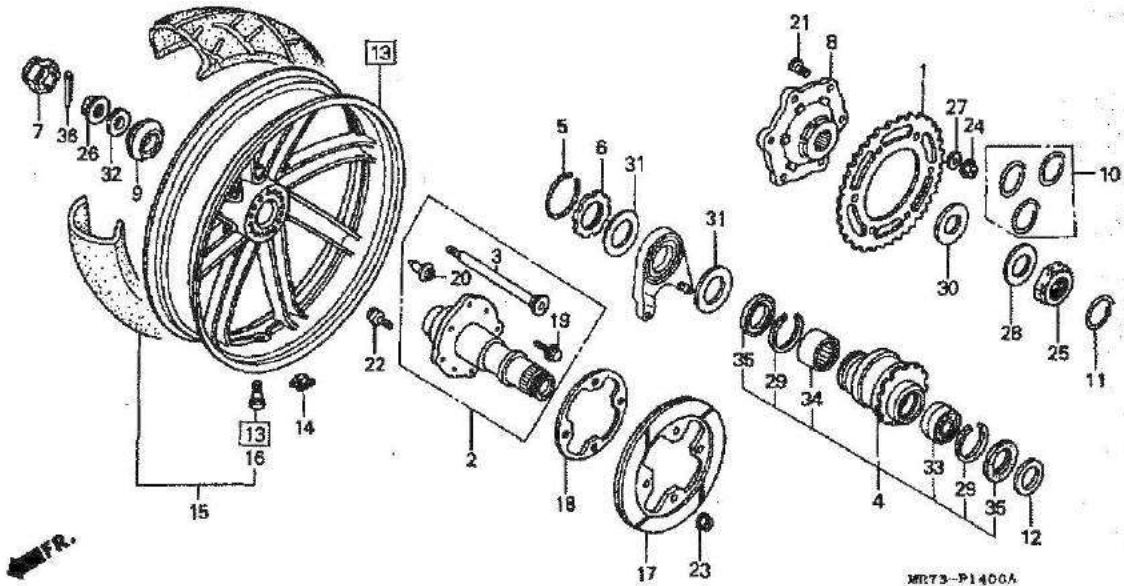
MR73-F1300A

3

Service item	F.R.T.	Ref. No.	Part No.	Description	Reqd. No.			Serial No.	Area code
					VFR750R	K	L		
		27	90122-MR7-000	BOLT, SOCKET, 10X30	2	2	2		
		28	91256-MR7-003	DUST SEAL, RR. CALIPER BRACKET	2	2	2		
		29	91272-KA3-711	DUST SEAL, 13X19X3	4	4	4		
		30	94201-2018D	PIN, SPLIT, 2.0X18	2	2	2		

F-14

Rear wheel
Roue arrière
Hinterrad
Rueda trasera



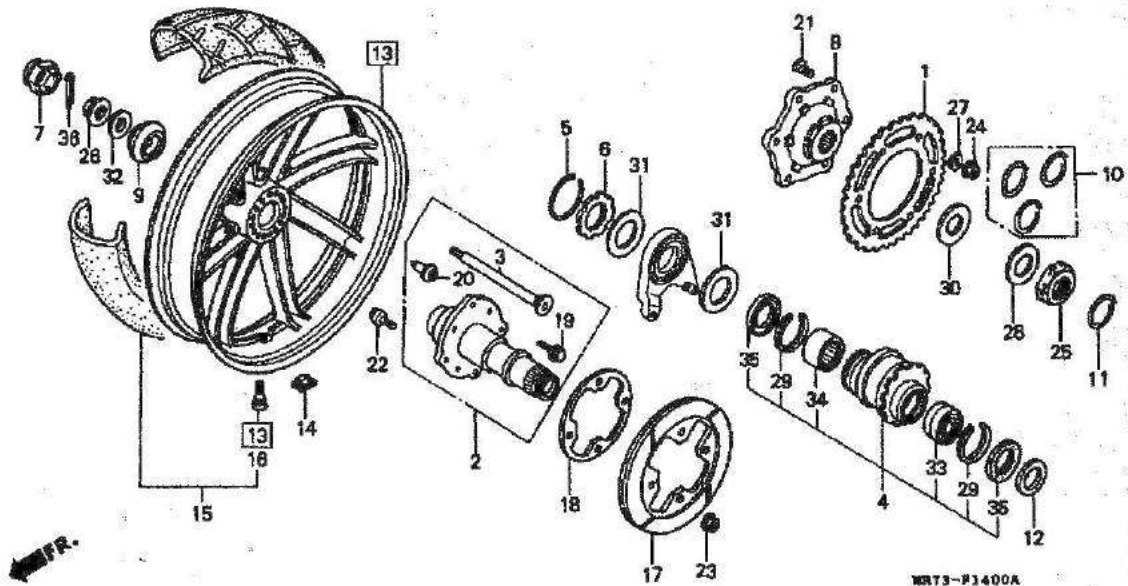
3

Service item	F.R.T.	Ref. No.	Part No.	Description	Reqd. No.			Serial No.	Area code
					VFR760R	K			
SPROCKET, FINAL DRIVEN	0.4	1	41201-MR7-000	SPROCKET, FINAL DRIVEN(40T)	1	1	1		
AXLE COMP., RR.	0.7	2	42300-MR7-000	AXLE COMP., RR.	1	1	1		
HOLDER COMP., BEARING		3	42302-MR7-000	BOLT, RR. AXLE	1	1	1		
FLANGE, FINAL DRIVEN		4	42500-MR7-000	HOLDER COMP., BEARING	1	1	1		
WEIGHT, BALANCE		5	42504-MR7-000	RING, SNAP, 76MM	1	1	1		
BOLT, RR. AXLE	0.9								
BEARING, RADIAL BALL, 6908LU		6	42505-MR7-000	NUT, BEARING HOLDER	1	1	1		
BEARING, RR. AXLE NEEDLE		7	42604-MR7-610	CAP, RR. AXLE NUT	1	1	1		G
WHEEL SET, RR.	1.1	8	42606-MR7-000	FLANGE, FINAL DRIVEN	1	1	1		
TIRE ASSY., RR.		9	42808-MR7-000	SPACER, CENTER LOCK	1	1	1		
DISK, RR. BRAKE	0.8	10	42807-MR7-305	WIRE SET, NUT LOCK	1	1	1		
		11	42808-MR7-305	WIRE, NUT LOCK	1	1	1		
		12	42821-MR7-000	COLLAR, RR. AXLE DISTANCE	1	1	1		

L 10

F-14

Rear wheel
Roue arrière
Hinterrad
Rueda trasera



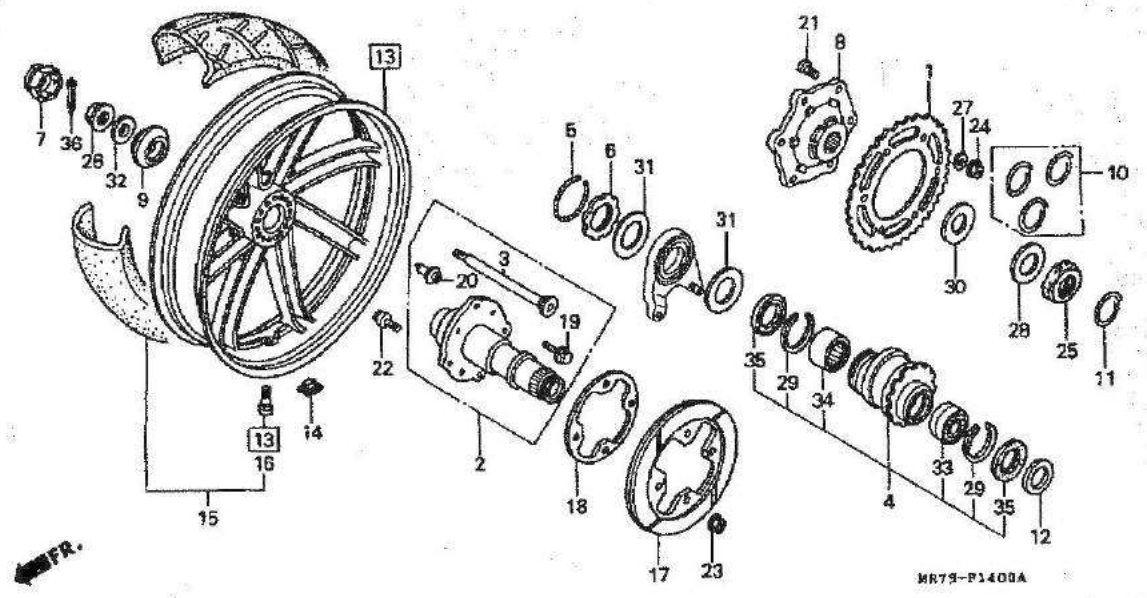
3

Service item	F.R.T.	Ref. No.	Part No.	Description	Reqd. No.	Serial No.	Area code
		[13]	42650-MR7-305ZA	WHEEL SET, RR. *NH196*ROSS WHITE	1 1 1		
		14	42704-MB0-000	WEIGHT, BALANCE (10G)	N N N		
			42705-MB0-000	WEIGHT, BALANCE (20G)	N N N		
			42706-MB0-000	WEIGHT, BALANCE (30G)	N N N		
		15	42710-MR7-611	TIRE ASSY., RR. (BS) (170/60 VR 18-V270 CY08A)	1 1 1		
		*	42710-MR7-612	TIRE ASSY., RR. (DUNLOP) (170/60 VR 18-V270 K855)	- 1 -	2100637	AR,B,E,ED,F,G,IT,SD,SW U
		16	42763-ML7-003	VALVE, RIM (BS)	1 1 1		
		*	42763-ML7-004	VALVE, RIM (DUNLOP)	- 1 -	2100637	AR,B,E,ED,F,G,IT,SD,SW U
		17	43251-MR7-000	DISK, RR. BRAKE	1 1 1		
		18	43252-MR7-000	SPACER, RR. DISK	1 1 1		

L 11

F-14

Rear wheel
Roue arrière
Hinterrad
Rueda trasera



3

Service item	F.R.T.	Ref. No.	Part No.	Description	Reqd. No.			Serial No.	Area code
					V	K	L		
		19	90113-MR7-000	BOLT, DRIVE PIN	4	4	4		
		20	90114-MR7-000	PIN, DRIVE	4	4	4		
		21	90120-MR7-000	BOLT, SPROCKET	6	6	6		
		22	90121-MR7-000	BOLT, SOCKET, 6X 18	4	4	4		
		23	90301-473-003	NUT, U, 6MM	4	4	4		
		24	90309-KF0-003	NUT, FLANGE, 8MM	6	6	6		
		26	90315-MR7-000	NUT, 38X1.5	1	1	1		
		26	90316-MR7-000	NUT, RR. AXLE	1	1	1		AR,B,CM,E,ED,F,FI,H,IT,N NZ,SD,SP,SW,U
			90316-MR7-610	NUT, RR. AXLE	1	1	—		G
		27	90465-MC4-000	WASHER, 8MM	8	6	6		
		28	90501-MR7-003	WASHER, CONICAL SPRING, 38	1	1	1		
		29	90651-MLD-731	CIRCLIP, INTERNAL, 62MM	2	2	2		
		30	90653-MR7-000	SHIM, DRIVEN FLANGE	1	1	1		

L 12

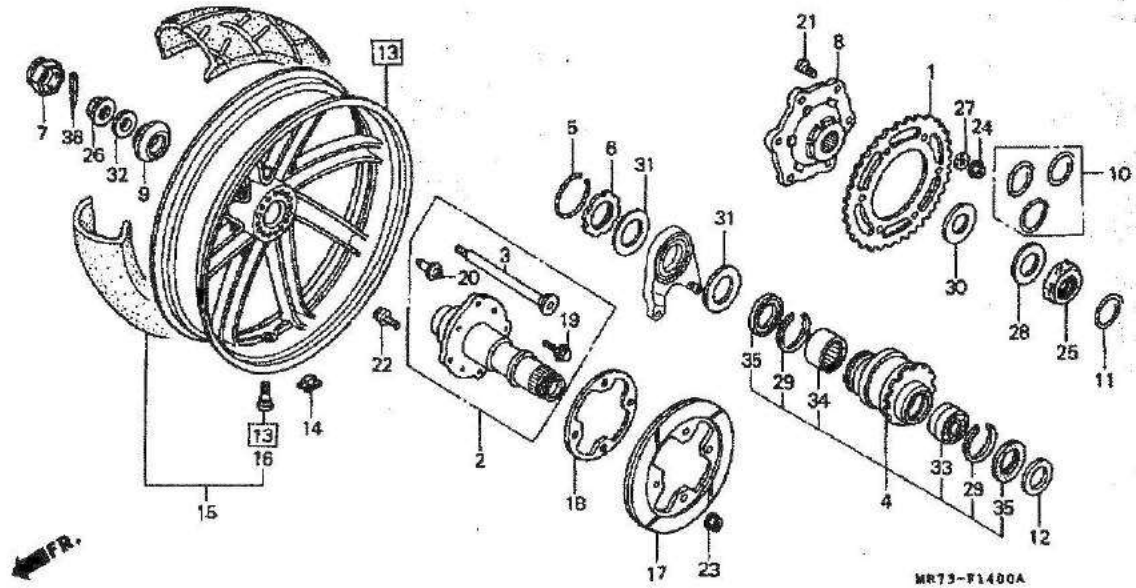
F-14

Rear wheel

Roue arrièra

Hinterrad

Rueda trasera



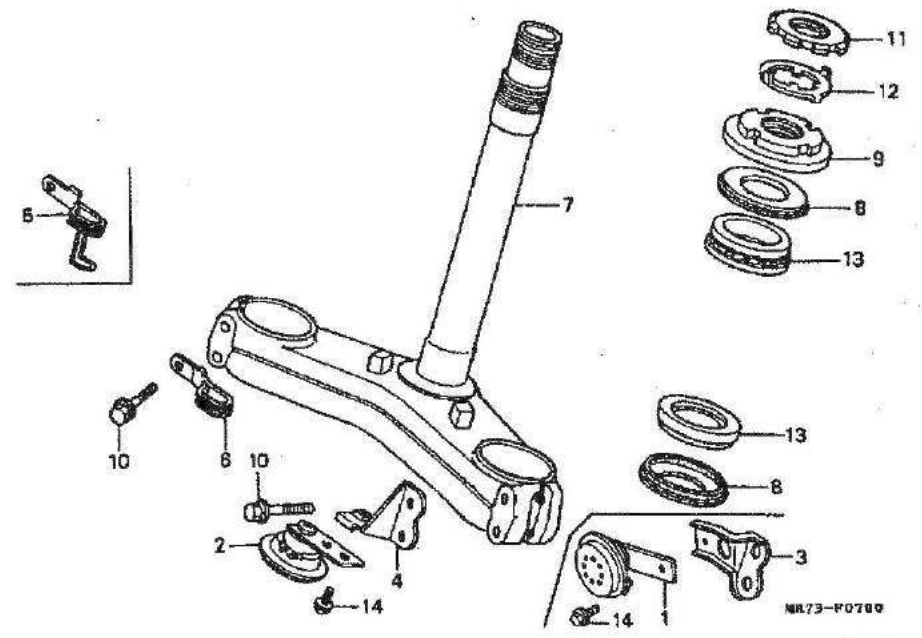
3

Service item	F.R.T.	Ref. No.	Part No.	Description	Reed No.			Serial No.	Area code
					VFR750R	K			
		31	90854-MR7-000	WASHER, RR. CALIPER	2	2	2		
		32	90858-MR7-000	WASHER, RR. AXLE	1	1	1		
		33	91081-MLO-731	BEARING, RADIAL BALL, 5908LU	1	1	1		
		34	91082-MR7-003	BEARING, RR. AXLE NEEDLE	1	1	1		
		35	91284-MR7-003	DUST SEAL, 60X62X5	2	2	2		
		38	94201-25400	PIN, SPLIT, 2.5	1	1	1		

K 3

F-7

Steering stem
Tige de direction
Steuerkopfschaft
Valilla de dirección



FR.

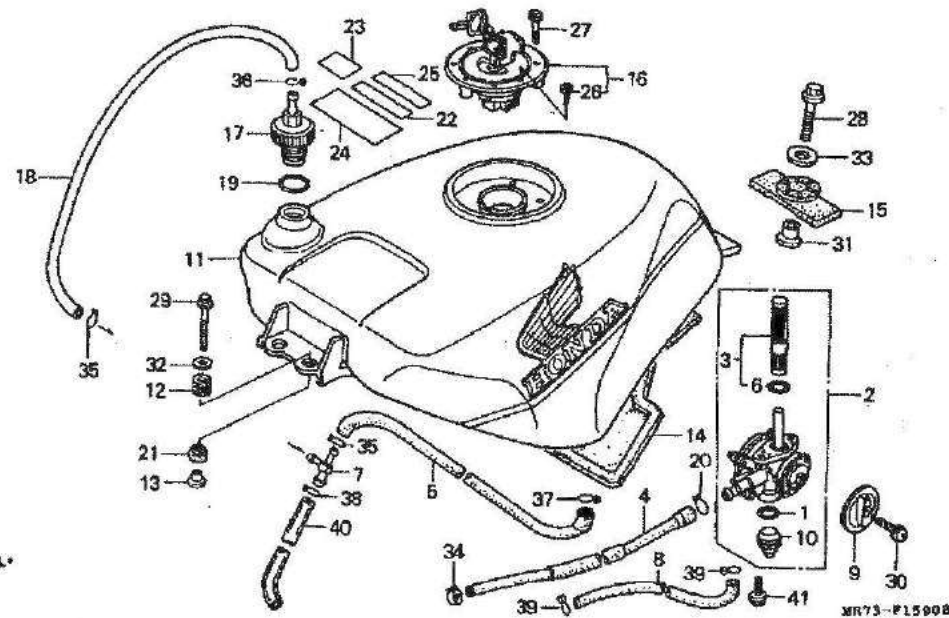
3

Service Item	F.R.T.	Ref. No.	Part No.	Description	Reqd. No.			Serial No.	Area code
					VFR750R	K	L		
		11	90302-MR7-000	THREAD 8, STEERING HEAD TOP	1	1	1		
		12	90506-MR7-000	WASHER, STEERING STEM	1	1	1		
		13	91016-MR7-003	BEARING, HEAD PIPE	2	2	2		
		14	96300-08012-07	BOLT, FLANGE, 8X12	1	1	1		

L 13

F-15

Fuel tank
 Réservoir d'essence
 Benzintank
 Tanque de combustible



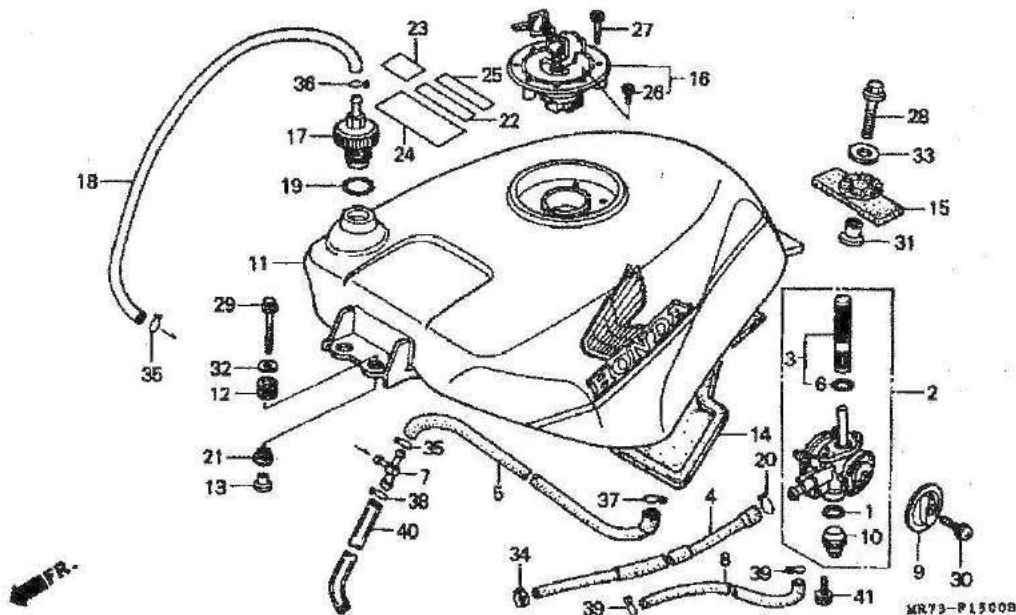
3

Service item	F.R.T.	Ref. No.	Part No.	Description	Reqd. No.			Serial No.	Area code
					VFR750R	K	L		
COCK ASSY., FUEL AUTO	0.4	1	16173-001-004	PACKING, FUEL STRAINER CUP	1	1	1		
SCREEN SET, FUEL STRAINER		2	16950-MR7-004	COCK ASSY., FUEL AUTO	1	1	1		
TANK SET, FUEL		3	16952-MLO-004	SCREEN SET, FUEL STRAINER	1	1	1		
CUP, FUEL STRAINER	0.2	4	16955-MR7-000	TUBE, FUEL	1	-	-		AR, B, E, ED, F, FI, G, H, IT, N
CAP COMP., FUEL FILLER	0.1		16956-MR7-630	TUBE, FUEL (CARBURETOR)	1	1	-		NZ, SD, SP, SW, U
			16956-MR7-000	TUBE, DRAIN	1	1	-		CM
			16958-MF2-880	O-RING	1	1	1		AR, B, E, ED, F, G, IT, SD, SP, SW
			16961-MK 2-000	JOINT, FUEL TUBE	1	1	1		U
			16961-MR7-000	TUBE, AUTO COCK AIR	1	1	1		
			16965-MR7-000	LEVER, FUEL COCK	1	1	1		AR, B, E, ED, F, FI, G, H, IT, N
									NZ, SD, SP, SW, U

L 14

F-15

Fuel tank
 Réservoir d'essence
 Benzintank
 Tanque de combustible



3

Service item	F.R.T.	Ref. No.	Part No.	Description	Qty	Reqd. No. VFR750A K	Serial No.	Area code
		(9)	18965-MR7-720	LEVER, FUEL COCK	1	1	-----	CM
		10	16967-MA2-771	CUP, FUEL STRAINER	1	1	1	
		11	17505-MR7-000ZA	TANK SET, FUEL (WL) *NH193PA*				
				PEARL CRYSTAL WHITE-A	1	-	-----	AR,B,E,ED,F,FI,G,H,IT,N NZ,SD,SP,SW,U CM
		*	17505-MR7-010ZA	*NH193PA*				
				PEARL CRYSTAL WHITE-A	-	1	-----	2100649 AR,B,E,ED,F,G,IT,SD,SW SP
		*	17505-MR7-020ZA	*NH193PA*				
				PEARL CRYSTAL WHITE-A	-	1	-----	2100660 AR,B,E,ED,F,G,IT,SD,SW U
		12	17512-MR7-000	RUBBER, FUEL TANK MOUNTING	2	2	2	

L 15

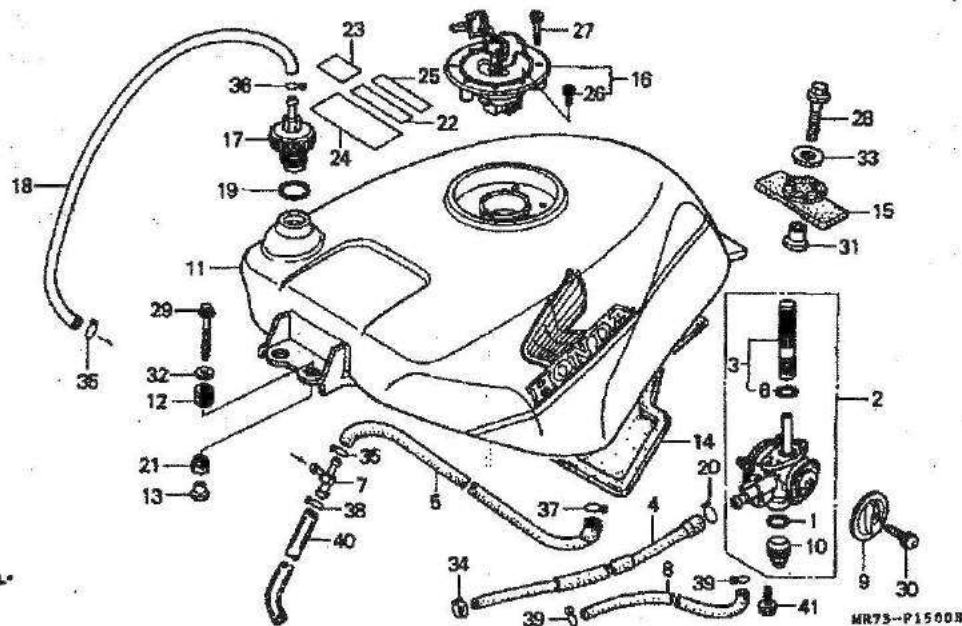
F-15

Fuel tank

Réservoir d'essence

Benzintank

Tanque de combustible



FR.

3

Service item	F.R.T.	Ref. No.	Part No.	Description	Read No.			Serial No.	Area code
					VFR750R	K	L		
		13	17513-MR7-000	COLLAR, 6MM	2	2	2		
		14	17570-MR7-000	PROTECTOR, FUEL TANK HEAT	1	1	1		
		15	17613-MR7-000	CUSHION, FUEL TANK RR.	1	1	1		
		16	17620-MR7-007	CAP COMP., FUEL FILLER	1	-	-		AR,B,E,ED,F,FI,G,H,IT,N NZ,SD,SW,U CM,SP
					1	1	-	2100956	AR,B,E,ED,F,G,IT,SD,SW
					-	1	-	KM000018	U
		*	17620-MR7-017	CAP COMP., FUEL FILLER	-	1	-	2100957 2101044	AR,B,E,ED,F,G,IT,SD,SW
					-	1	-	KM000019	U
		*	17620-MR7-027	CAP COMP., FUEL FILLER	-	1	-	2101045	AR,B,E,ED,F,G,IT,SD,SW

L 16

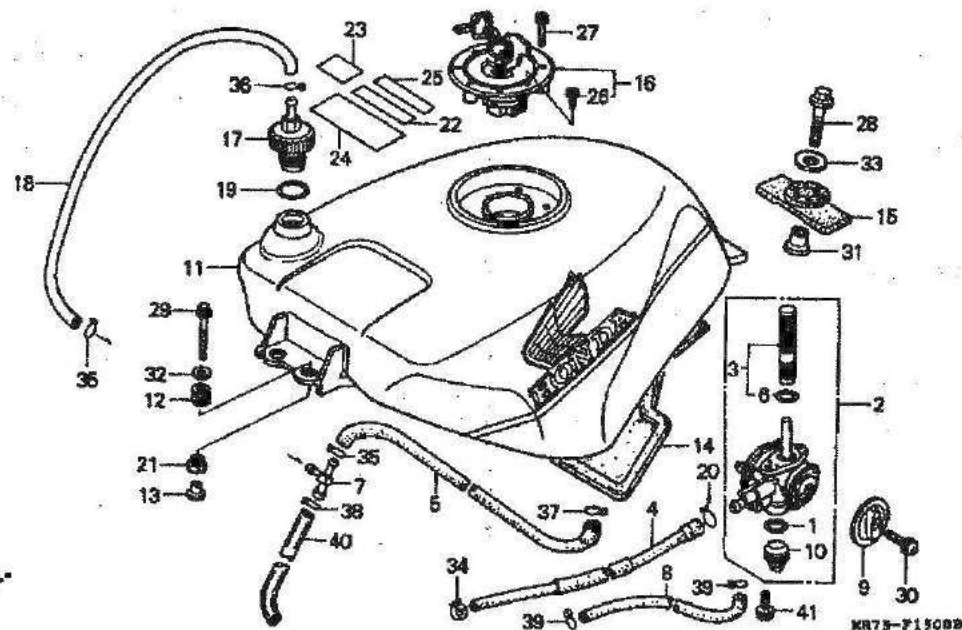
F-15

Fuel tank

Réservoir d'essence

Benzintank

Tanque de combustible



3

Service item	F.R.T.	Ref. No.	Part No.	Description	Reqd. No. VFR760R	Serial No.	Area code
		17	17625-ML0-003	VALVE ASSY., CHECK	1 1 1		
		18	17626-MR7-800	TUBE, OVER FLOW	1 1 1		
		19	17631-ML0-003	O-RING B	1 1 1		
		20	17724-102-700	CLIP, SUB TANK HOSE	1 1 1		
		21	64508-MR7-000	RUBBER, MIRROR STAY MOUNTING	2 2 2		
		22	87510-MR7-800	LABEL, OPERATOR WARNING	1 - -		AR,B,CM,E,ED,FLG,H,IT,N NZ,SD,SP,SW,U
			87510-MR7-801	LABEL, OPERATOR WARNING	- 1 1		AR,B,CM,E,ED,G,IT,SD,SP SW,U
			87510-MR7-820	LABEL, OPERATOR WARNING			
			87510-MR7-821	LABEL, OPERATOR WARNING (FRENCH)	1 - -		CM,F
				(FRENCH)	- 1 -		CM,F

M 1

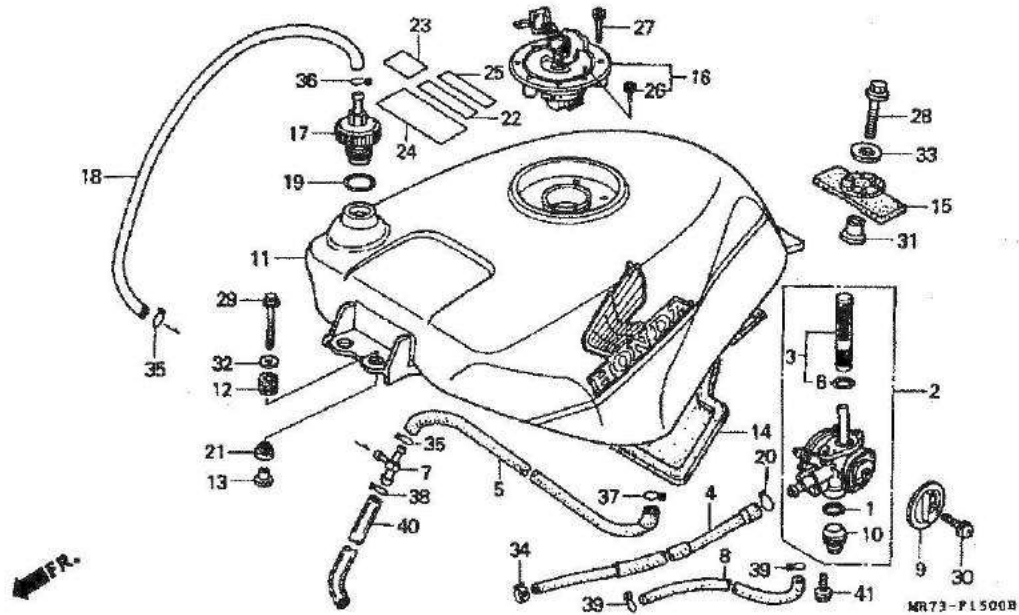
F-15

Fuel tank

Réservoir d'essence

Benzintank

Tanque de combustible



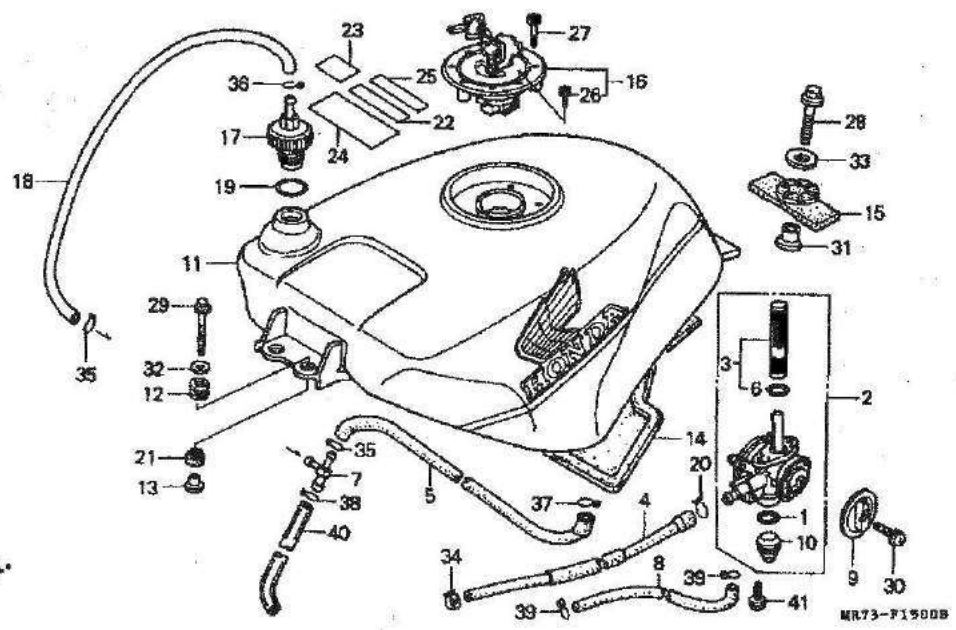
3

Service item	F.R.T.	Ref. No.	Part No.	Description	Read No. VFR750R K L	Serial No.	Area code
		23	87512-MR7-610	MARK, ACCESSORIES & LOADING CAUTION	1 1 1		AR, B, E, ED, FI, G, H, IT, N, NZ SD, SP, SW, U
			87512-MR7-620	MARK, ACCESSORIES & LOADING CAUTION (FRENCH)	1 1 -		F
			87512-KR3-670	MARK, ACCESSORIES & LOADING CAUTION (GOLD)	1 - -		CM
			87512-MR7-720	LABEL, ACCESSORIES & LOADING	- 1 -		CM
			87512-MR7-740	MARK, ACCESSORIES & LOADING CAUTION	1 - -		CM
			87512-MR7-741	MARK, ACCESSORIES & LOADING CAUTION	- 1 -		CM
		24	87560-MB2-620ZD	MARK, DRIVE CAUTION (FRENCH) *A73*GOLD	1 - - 1 1 -		CM F

M 2

F-15

Fuel tank
 Réservoir d'essence
 Benzintank
 Tanque de combustible

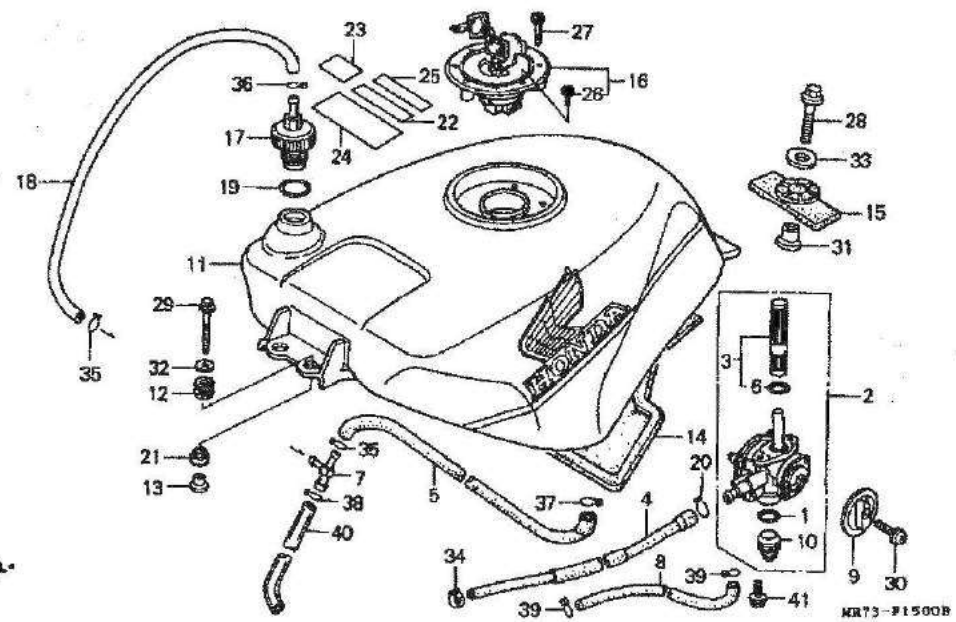


3

Service item	F.R.T.	Ref. No.	Part No.	Description	Reqd. No. VER750R K L	Serial No.	Area code
		24)	87560-ME9-670ZA	MARK. DRIVE CAUTION *TYPEG*	1 1 1	AR,B,E,ED,FI,G,H,IT,N,NZ SD,SP,SW,U
			87560-MT2-300ZB	LABEL, DRIVE *TYPET*	1 - -	CM
			87560-MT2-620ZB	LABEL, DRIVE *TYPET* (FRENCH)	- 1 -	CM
		25	87586-MB6-870ZB	LABEL, FUEL *A73*	1 1 -	NZ,U
		* 26	90073-MR7-000	BOLT, SOCKET, 4X6	4 - -	AR,B,E,ED,F,FI,G,H,IT,N NZ,SD,SW,U
					4 4 -	CM,SP
					- 4 -	2100958	AR,B,E,ED,F,G,IT,SD,SW
					- 4 -	KM000018	U
		* 26	90073-MT4-000	BOLT, SOCKET, 4X6	- 4 -	2100967 2101044	AR,B,E,ED,F,G,IT,SD,SW
					- 4 -	KM000019	U
					- - 4		

F-15

Fuel tank
 Réservoir d'essence
 Benzintank
 Tanque de combustible



MR73-F1500B

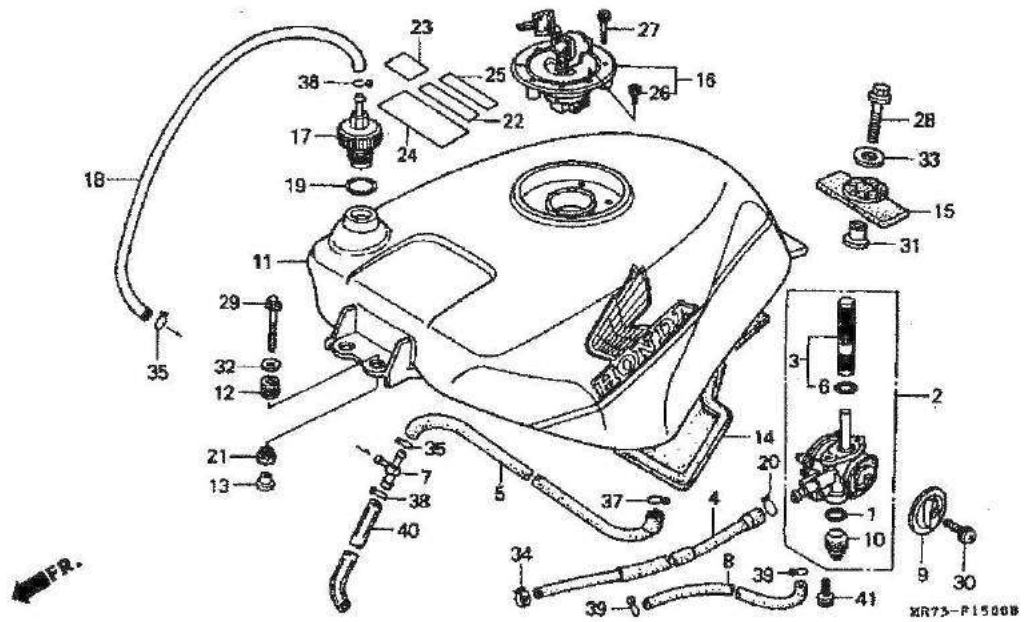
3

Service item	F.R.T.	Ref. No.	Part No.	Description	Read No.		Serial No.	Area code
					VFR750R	K		
		*26)	90073-MR7-000	BOLT, SOCKET, 4X6	-	4	2101045	AR,B,E,ED,F,G,IT,SD,SW
		27	90074-MR7-000	BOLT, SOCKET, 4X26	3	-	3	AR,B,E,ED,F,FI,G,H,IT,N NZ,SD,SW,U
					3	3	-	CM,SP
					-	3	-	2100956 AR,B,E,ED,F,G,IT,SD,SW
					-	3	-	KM000018 U
		*	90074-MR7-010	BOLT, SOCKET, 4X26	-	3	-	2100957 2101044 AR,B,E,ED,F,G,IT,SD,SW
					-	3	-	KM000019 U
		*	90074-MR7-020	BOLT, SOCKET, 4X26	-	3	-	2101045 AR,B,E,ED,F,G,IT,SD,SW
		28	90107-MR7-000	BOLT, FLANGE, 8X32	1	1	1	
		29	90116-MR7-000	BOLT, FLANGE, 6X32	2	2	2	
		30	90137-MR7-000	SCREW-WASHER, 5X32	1	1	1	
		31	90370-SC3-960	COLLAR	1	1	1	
		32	90434-SAO-000	WASHER, PLAIN, 6MM	2	2	2	
		33	90634-011-000	WASHER, 8.3MM	1	1	1	
		34	90682-SAO-871	CLIP, CANISTER HOSE	1	1	1	
		35	95002-02080	CLIP, TUBE (B8)	2	2	2	

M 4

F-15

Fuel tank
 Réservoir d'essence
 Benzintank
 Tanque de combustible



3

Service item	F.R.T.	Ref. No.	Part No.	Description	Reqd. No.		Serial No.	Area code
					VFR750R	K		
		36	95002-02100	CLIP, TUBE (B10)	1	1		
		37	85002-02120	CLIP, TUBE (B12)	1	-	2001827	AR,B,E,ED,F,FI,G,H,IT,N NZ,SD,SP,SW,U
					1	1		CM
					-	1		AR,B,E,ED,F,G,IT,SD,SP,SW U
			95002-70000	CLIP, TUBE (C11)	1	-	2001828	AR,B,E,ED,F,FI,G,H,IT,N NZ,SD,SP,SW,U
					-	-		1
		38	95002-02130	CLIP, TUBE (B12.5)	1	1		
		39	95002-35000	CLIP, TUBE (C6.5)	2	2		
		40	95005-70600-30	TUBE, 7X800 (95005-70001-30M)	1	1		
		41	96300-08020-08	BOLT, FLANGE, 8X20	2	2		

M 5

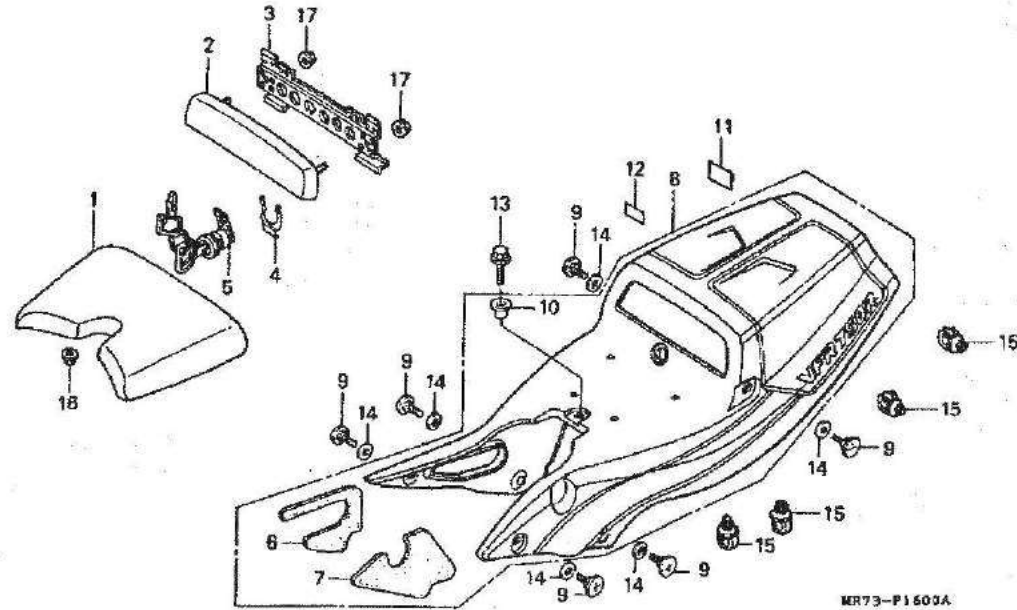
F-16

Seat • Seat cowl

Siège • Auvent de siège

Sitz • Sitzhaubenverkleidung

Asiento • Cubretablero de asiento



3

Service item	F.R.T.	Ref. No.	Part No.	Description	Reqd. No. VFR750R	Serial No.	Area code
SEAT COMP., MAIN	0.2	1	77100-MR7-003	SEAT COMP., MAIN	1 1 1		
SEAT, BACK		2	77122-MR7-003	SEAT, BACK	1 1 1		
LOCK ASSY., BACK SEAT		3	77123-MR7-000	PLATE, BACK SEAT	1 1 1		
COWL ASSY., SEAT	0.3	4	77211-ME4-000	SPRING, LOCK SETTING	1 1 1		
		5	77230-MR7-000	LOCK ASSY., BACK SEAT	1 1 1		
		6	77235-MR7-600	MAT, R. SEAT COWL HEAT GUARD	1 1 1		
		7	77236-MR7-600	MAT, L. SEAT COWL HEAT GUARD	1 1 1		
		8	77240-MR7-600ZA	COWL ASSY., SEAT (WL) *NH193PA*	1 1 1		AR,B,E,ED,F,FI,G,H,IT,N NZ,SD,SP,SW,U
			77240-MR7-720ZA	*NH193PA* PEARL CRYSTAL WHITE-A	1 1 -		CM

M 6

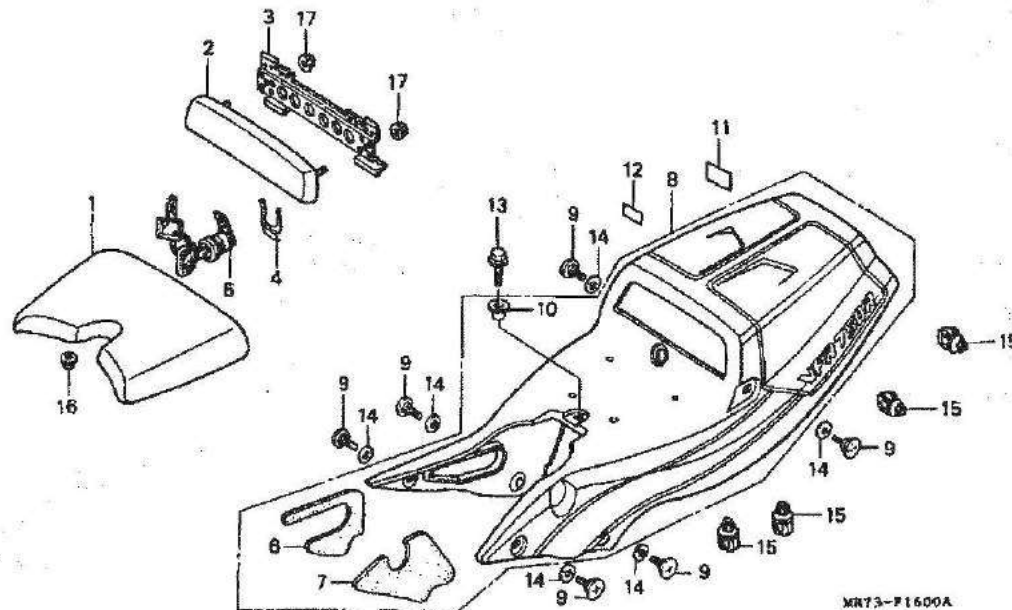
F-16

Seat • Seat cowl

Siège • Auvent de siège

Sitz • Sitzhaubenverkleidung

Asiento • Cubretablero de asiento



3

Service item	F.R.T.	Ref. No.	Part No.	Description	Reqd. No. VFR750R	Serial No.	Area code
		9	83841-MR7-000	BOLT, COWL SETTING (A)	6 6 6		
		10	84706-GB0-900	COLLAR, NUMBER BRACKET SETTING	1 1 1		
		11	87509-MR7-600	LABEL, TOOL BOX	1 - -		AR,B,CM,E,ED,F,FI,H,IT,N NZ,SD,SP,SW,U
			87509-MR7-601	LABEL, TOOL BOX	- 1 1		AR,B,CM,E,ED,F,IT,SD,SP SW,U
			87509-MR7-811	LABEL, TOOL BOX	1 1 -		G
		12	87511-323-670	LABEL, HELMET HOLDER	1 - -		AR,B,CM,E,ED,FI,G,H,IT,N NZ,SD,SP,SW,U
			87511-415-620	LABEL, HELMET HOLDER (FRENCH)	1 1 -		CM,F
			87511-KV0-300	LABEL, HELMET HOLDER	- 1 1		AR,B,CM,E,ED,G,IT,SD,SP SW,U
		13	90116-MR7-000	BOLT, FLANGE, 6X32	1 1 1		
		14	90504-HA0-000	WASHER, 9X20	6 6 6		

M 7

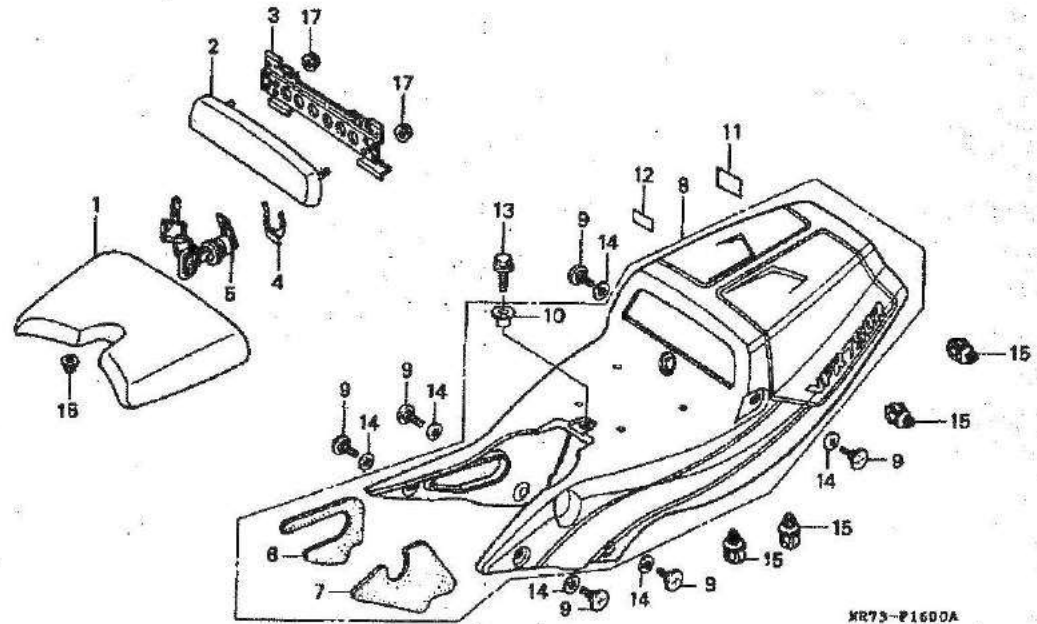
F-16

Seat • Seat cowl

Siège • Auvent de siège

Sitz • Sitzhaubenverkleidung

Asiento • Cubretablero de asiento



3

Service item	F.R.T.	Ref. No.	Part No.	Description	Req. No. VFR750R	Serial No.	Area code
		15	90683-SA0-003	CLIP, WIRE HARNESS, 25MM	4 4 4		
		16	94050-06000	NUT, FLANGE, 6MM	4 4 4		
		17	94050-06080	NUT, FLANGE, 6MM	2 2 2		

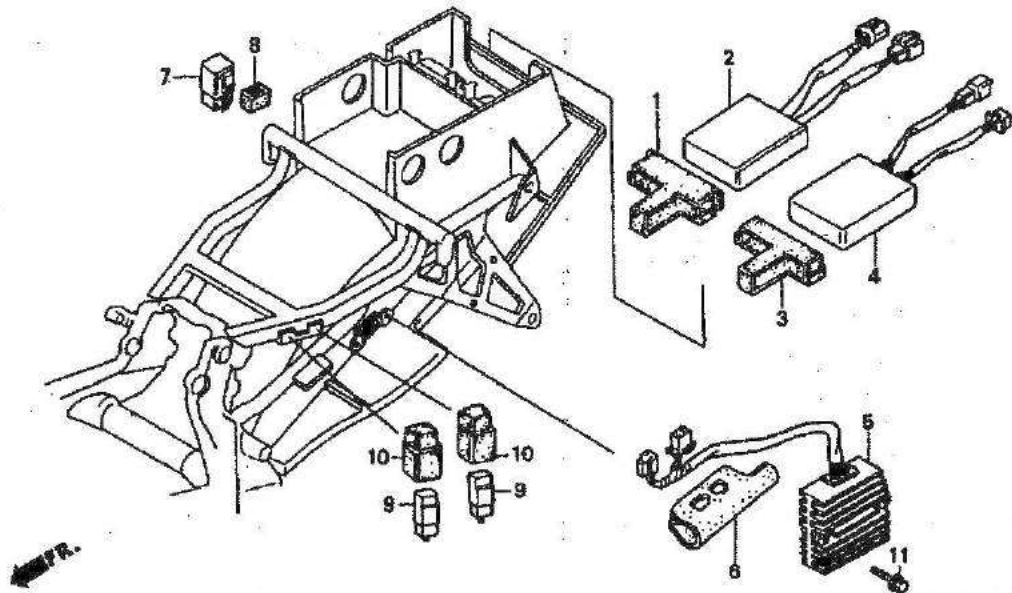
F-17

C.D.I. unit • Rectifire

Unité de C.D.I. •
Rectificateur

C.D.I. Einheit •
Gleichrichter

Unidad C.D.I. •
Rectificateur



MR73-F170DA

3

Service item	F.R.T.	Ref. No.	Part No.	Description	Reqd. No. VFR750R K L	Serial No.	Area code
CONTROL UNIT, C.D.I.	0.6	1	30403-ML7-660	SUSPENSION, SPARK UNIT	1 1 -	SW
CONVERTOR UNIT, C.D.I.			30406-MM6-000	SUSPENSION, SPARK UNIT	1 1 1	AR,B,CM,E,ED,F,FI,G,H,IT N,NZ,SD,SP,U
RECTIFIER ASSY., REGULATE							
RELAY COMP., WINKER	0.2	2	30410-MR7-600	CONTROL UNIT, C.D.I.	1 1 1	AR,B,CM,E,ED,F,FI,G,H,IT N,NZ,SD,SP,U
RELAY COMP., STARTER	0.4		30410-MR7-690	CONTROL UNIT, C.D.I.	1 1 -	SW
		3	30465-MR7-000	SUSPENSION, C.D.I. CONVERTOR	1 1 1	
		4	30460-MR7-000	CONVERTOR UNIT, C.D.I.	1 1 1	
		5	31600-MR7-008	RECTIFIER ASSY., REGULATE	1 - -	2001018	AR,B,E,ED,F,FI,G,H,IT,N NZ,SD,SP,SW,U
			31600-MR7-018	RECTIFIER ASSY., REGULATE	1 - -	2001019	AR,B,E,ED,F,FI,G,H,IT,N NZ,SD,SP,SW,U
					1 - -	CM

M 9

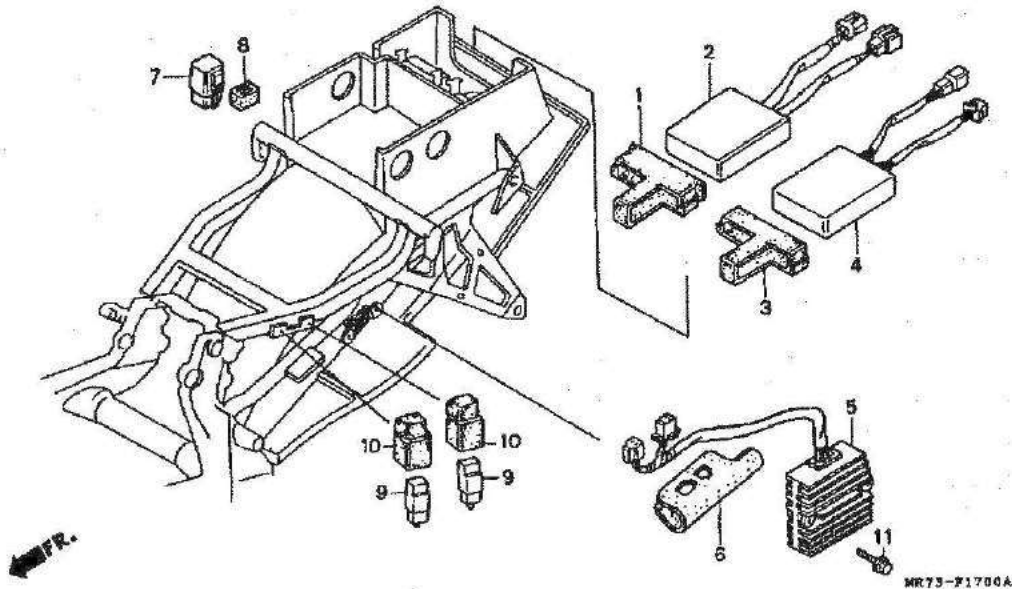
F-17

C.D.I. unit • Rectifire

Unité de C.D.I. •
Rectificateur

C.D.I. Einheit •
Gleichrichter

Unidad C.D.I. •
Rectificateur



3

Service item	F.R.T.	Ref. No.	Part No.	Description	Reqd. No. VFR750H	Serial No.	Area code
		(5)	31600-MR7-028	RECTIFIER ASSY., REGULATE	- 1 1		
		6	31615-MR7-600	COVER, COUPLER	1 1 1		
		7	38301-KK9-952	RELAY COMP., WINKER (MITSUBA)	1 1 1		AR,B,CM,E,ED,F,FI,G,H,IT N,SD,SP,SW
			38301-MR7-004	RELAY COMP., WINKER	1 1 -		NZ,U
		8	38306-KK4-000	SUSPENSION, WINKER RELAY	1 1 1		
		9	38501-GN2-004	RELAY COMP., STARTER (MITSUBA)	1 - -	2001827	AR,B,F,FI,G,H,N,SD
					2 - -	JM000030	CM
					2 - -	2001877	E,ED,NZ,SP,U

M 10

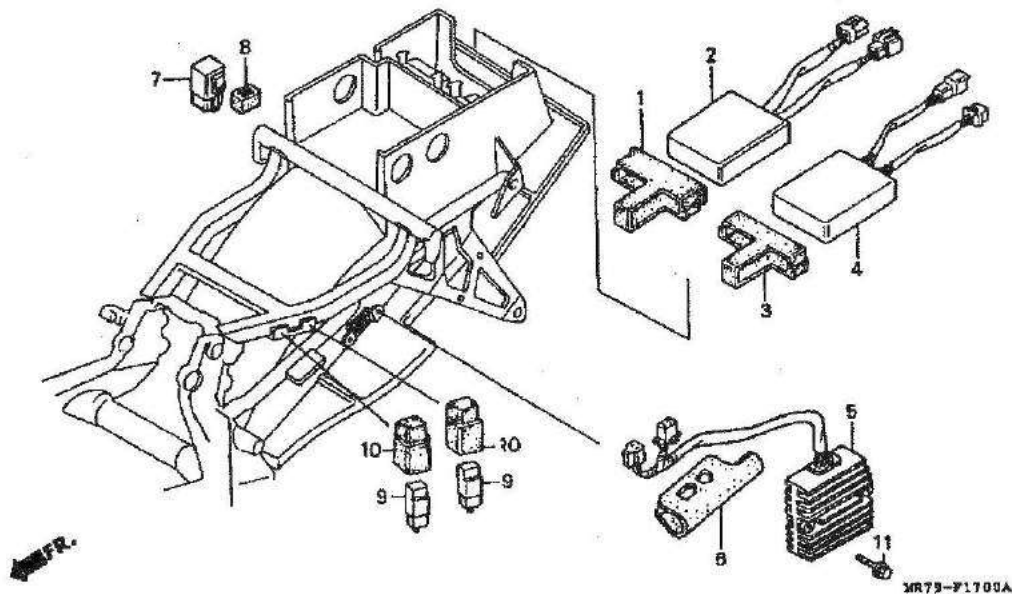
F-17

C.D.I. unit • Rectifire

Unité de C.D.I. •
Rectificateur

C.D.I. Einheit •
Gleichrichter

Unidad C.D.I. •
Rectificateur



3

Service item	F.R.T.	Ref. No.	Part No.	Description	Reed. No. VFR730R			Serial No.	Area code			
					J	K	L					
		(9)	38501-GN2-014	RELAY COMP., STARTER (MITSUBA)	1	-	-	2001828	AR,B,F,FI,G,H,N,SD			
					2	-	-	JM000031	CM			
					2	-	-	2001878	E,ED,NZ,SP,U			
					-	1	-	AR,B,F,G,SD			
					-	2	2	CM,E,ED,SP,U			
					10	38508-GC7-611	SUSPENSION, STARTER RELAY	1	1	-	AR,B,F,FI,G,H,N,SD
								2	2	2	CM,E,ED,NZ,SP,U
								2	2	2	
					11	96300-06025-00	BOLT, FLANGE, 6X25	2	2	2		

HONDA MOTOR CO., LTD. SERVICE DIVISION

This Parts News is applicable for
all the types of these models.

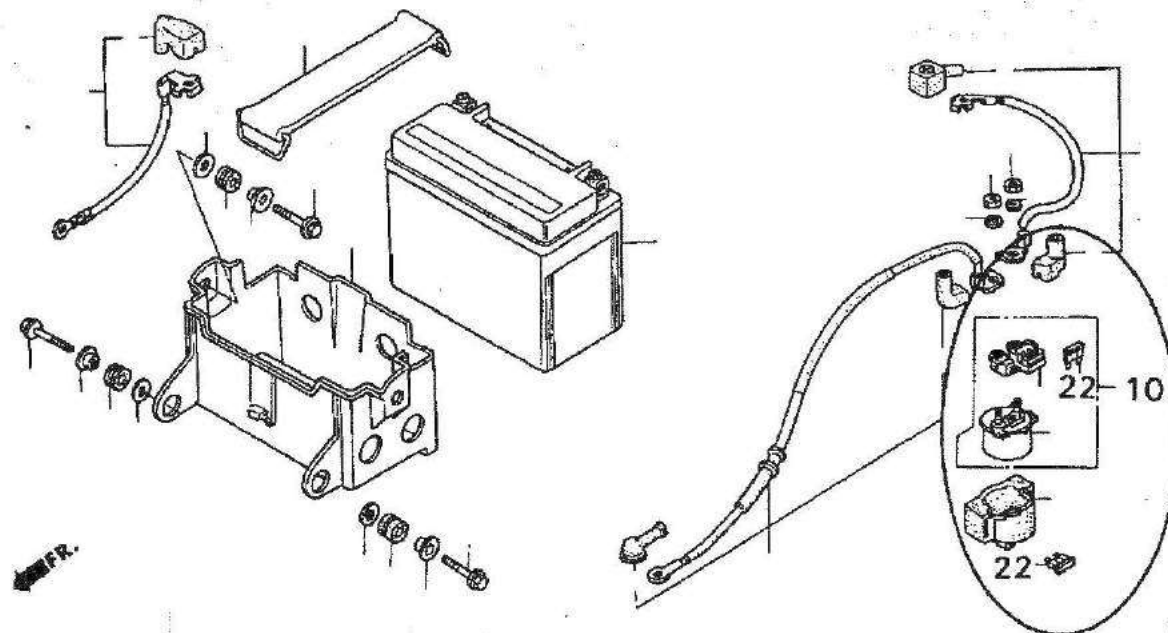
VFR750RJ·RK·RL

CODE NO.	BOOKLET TYPE	13MR7J44
	MICRO-FICHE	13MR7JED/FD/GD/ID SB/XA/YA
PARTS CATALOGUE TITLE	VFR750RJ·RK·RL	
NEWS NO.	001	

F-18

● ILLUSTRATION - CORRECTED

Correct the illustration of the starter magnetic switch assembly as shown in the figure below.

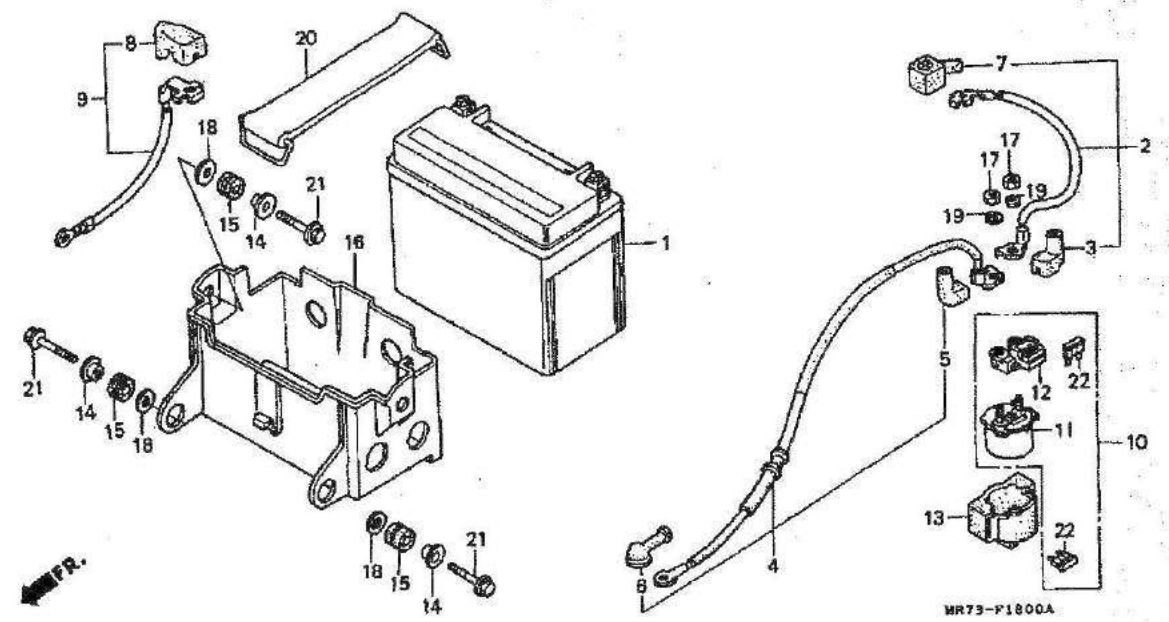


MR73-F1800A

M 11

F-18

Battery
Batterie
Batterie
Bateria



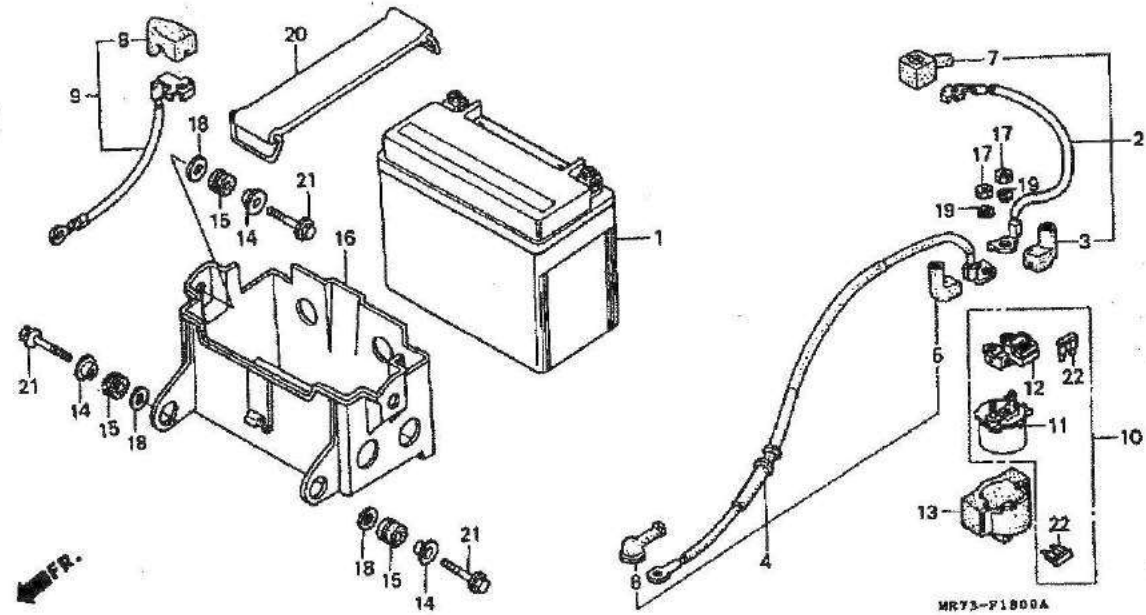
3

Service item	F.R.T.	Ref. No.	Part No.	Description	Reqd. No. VFR750R	Serial No.	Area code
BATTERY	0.2	1	31500-MN4-602	BATTERY (YTH9-12B YUASA)	1	1	AR,B,CM,E,ED,F,FI,G,H,IT N,NZ,SD,SP,SW
.CABLE, STARTER MAGNETIC					1		U
BATTERY		*	31500-MN4-604	BATTERY (YTX9-BS YUASA)	1	2101446	AR,B,E,ED,F,G,IT,SD,SW
.CABLE, BATTERY EARTH	0.4				1	0M000059	SP
CABLE, STARTER MOTOR					1		U
SWITCH ASSY., STARTER MAGNETIC	0.3				1		
		2	32401-MR7-000	CABLE, STARTER MAGNETIC	1		
		3	32404-MJ4-870	COVER A, STARTING MAGNETIC	1		
		4	32410-MR7-000	CABLE, STARTER MOTOR	1		
		5	32411-MK4-000	COVER B, STARTER MAGNETIC	1		
		6	32411-263-000	COVER, STARTER MOTOR TERMINAL	1		
		7	32412-MR7-000	COVER A, BATTERY TERMINAL	1		

M 12

F-18

Battery
Batterie
Batteria
Bateria



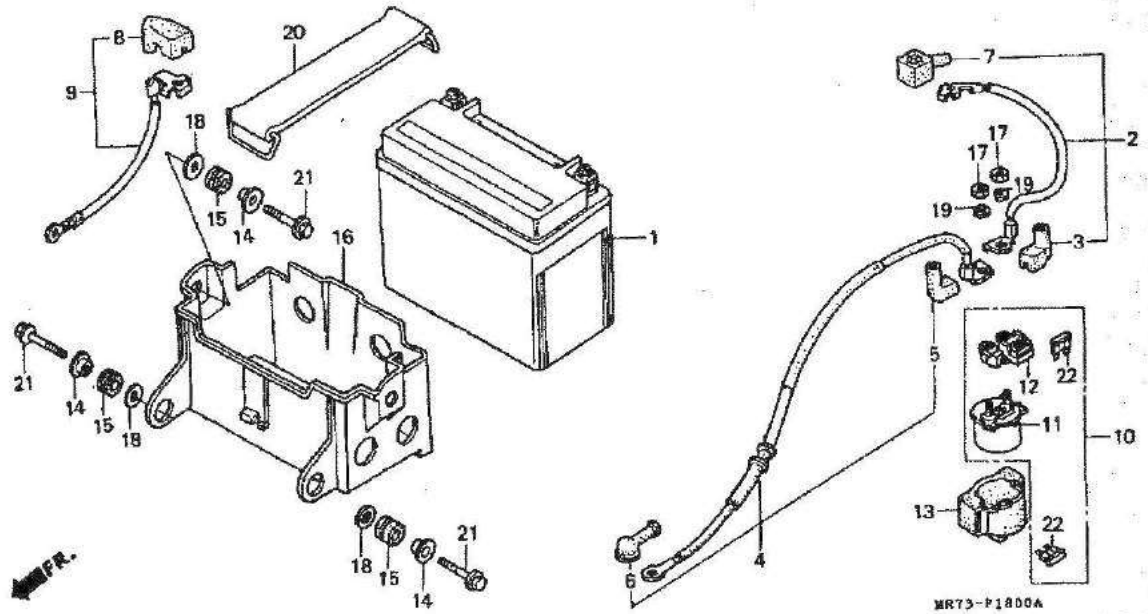
3

Service item	F.R.T.	Ref. No.	Part No.	Description	Reqd. No.			Serial No.	Area code
					VFR750R	K	L		
		8	32418-MK7-000	COVER B. BATTERY TERMINAL	1	1	1		
		9	32801-MR7-000	CABLE, BATTERY EARTH	1	1	1		
		10	35850-MF5-751	SWITCH ASSY., STARTER MAGNETIC	1	1	1		
		11	35851-MF5-751	SWITCH COMP., STARTER MAGNETIC	1	1	1		
		12	35855-MF5-751	HOLDER ASSY., FUSE	1	1	1		
		13	35856-MF5-751	RUBBER, SHOCK	1	1	1		
		14	61104-422-000	COLLAR, SETTING	4	4	4		
		15	64122-KVD-000	RUBBER, SIDE SHELTER (B)	4	4	4		
		18	80110-MR7-000	BOX, BATTERY	1	1	1		
		17	94002-06090-0S	NUT, HEX., 6MM	2	2	2		
		18	94101-06000	WASHER, PLAIN, 6MM	4	-	-		
			94103-08700	WASHER, PLAIN, 6MM	-	4	4		
		19	94111-06800	WASHER, SPRING, 6MM	2	2	2		

M 13

F-18

Battery
 Batterie
 Batterie
 Bateria



3

Service item	F.R.T.	Ref. No.	Part No.	Description	Reqd. No.			Serial No.	Area code
					VFA750R	K			
		20	95012-14001	BAND C. BATTERY	1	1	1		
		21	96300-06025-00	BOLT, FLANGE, 6X25	4	4	4		
		22	98200-33000	FUSE, BLADE (30A)	2	2	2		

M 14

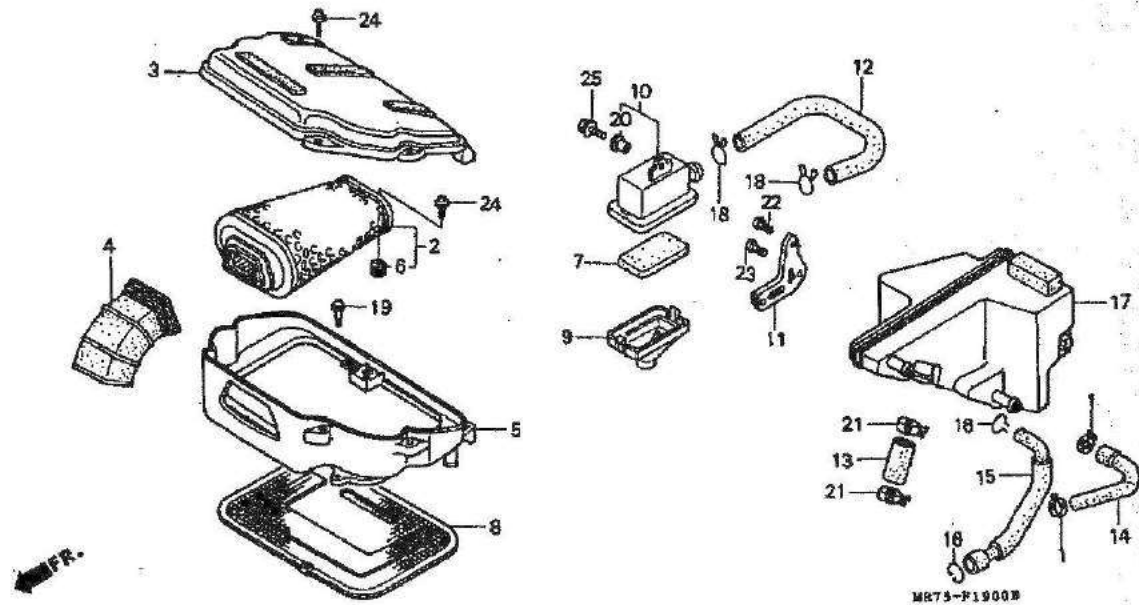
F-19

Air cleaner

Filtre à air

Luftfilter

Limpador de aire



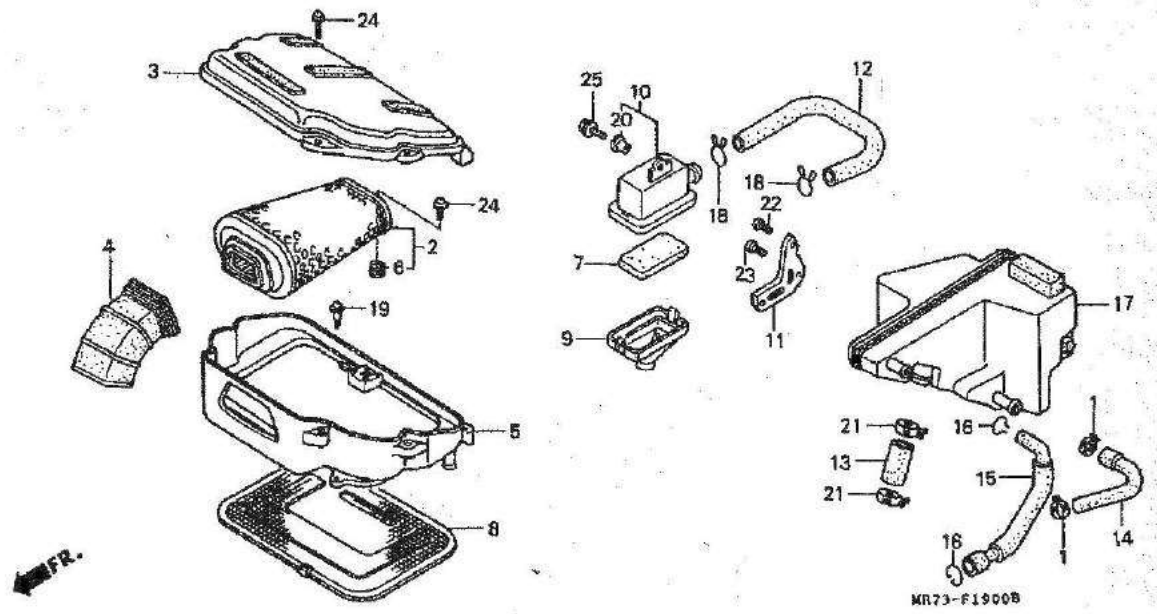
3

Service Item	F.R.T.	Ref. No.	Part No.	Description	Reqd. No.			Serial No.	Area code
					VFR750R	K			
ELEMENT, AIR CLEANER	0.3	1	16968-MC7-000	CLIP B, FUEL HOSE	2	2	2		
COVER, AIR CLEANER CASE		2	17210-MR7-600	ELEMENT, AIR CLEANER	1	-	-		
DUCT, AIR CLEANER IN.	0.5		17210-MR7-601	ELEMENT, AIR CLEANER	-	1	1		
CASE, AIR CLEANER		3	17221-MR7-600	COVER, AIR CLEANER CASE	1	1	1		
TANK COMP., BREATHER	0.4	4	17222-MR7-600	DUCT, AIR CLEANER IN.	1	1	1		
		5	17231-MR7-600	CASE, AIR CLEANER	1	1	1		
		6	17243-634-920	GROMMET, AIR CLEANER	1	1	1		
		7	17253-KT8-000	FILTER, SUB AIR CLEANER	1	1	1		
		8	17254-MR7-000	TRAP, FRAME	1	1	1		
		9	17256-MM4-000	COVER, SUB AIR CLEANER	1	1	1		
		10	17256-MR7-000	CASE, SUB AIR CLEANER	1	1	1		

M 15

F-19

Air cleaner
Filtre à air
Luftfilter
Limipador de aire



3

Service item	F.R.T.	Ref. No.	Part No.	Description	Reqd. No.			Serial No.	Area code
					VPR750R	K	L		
		11	17257-MR7-000	STAY, SUB AIR CLEANER	1	1	1		
		12	17258-MR7-000	TUBE, SUB AIR CLEANER	1	1	1		
		13	17357-MR7-000	TUBE, BREATHER (A)	1	1	1		
		14	17358-MR7-600	TUBE, BREATHER RETURN	1	1	1		
		15	17359-MR7-000	TUBE C, BREATHER	1	1	1		
		16	17366-MJ0-000	CLIP B, TUBE	2	-	-		
			17724-102-700	CLIP, SUB TANK HOSE	-	2	2		
		17	17551-MR7-000	TANK COMP., BREATHER	1	-	-		
			17561-MR7-010	TANK COMP., BREATHER	-	1	1		
		18	17724-102-700	CLIP, SUB TANK HOSE	2	2	2		
		19	90141-ML7-000	SCREW, PAN, 4X19	5	5	5		
		20	90522-028-000	WASHER, CHAIN CASE SETTING	1	1	1		

M 16

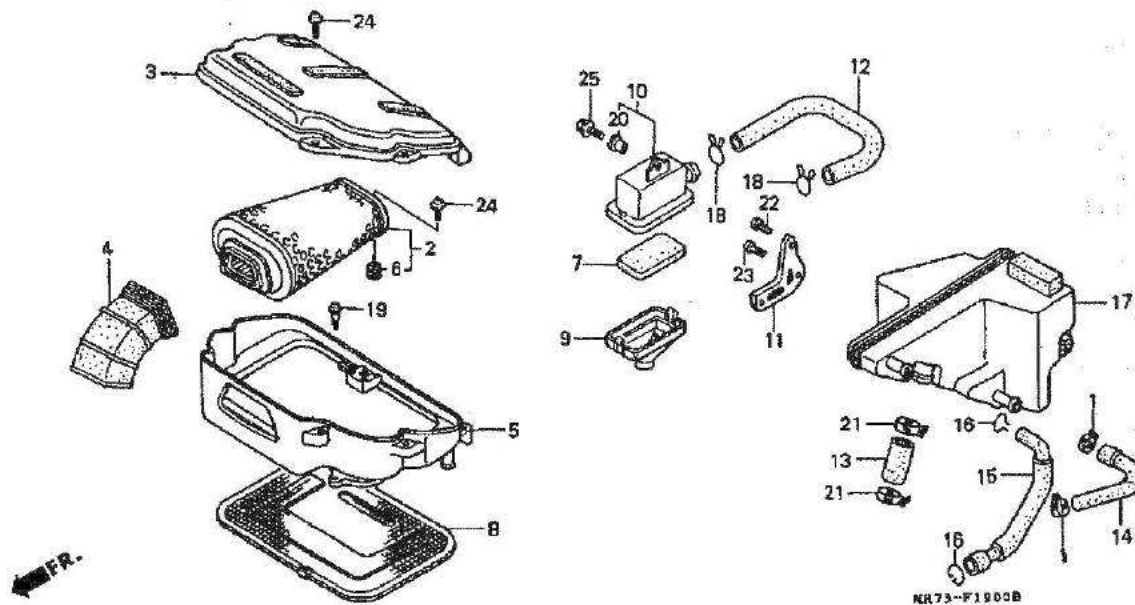
F-19

Air cleaner

Filtre à air

Luftfilter

Limipador de aire



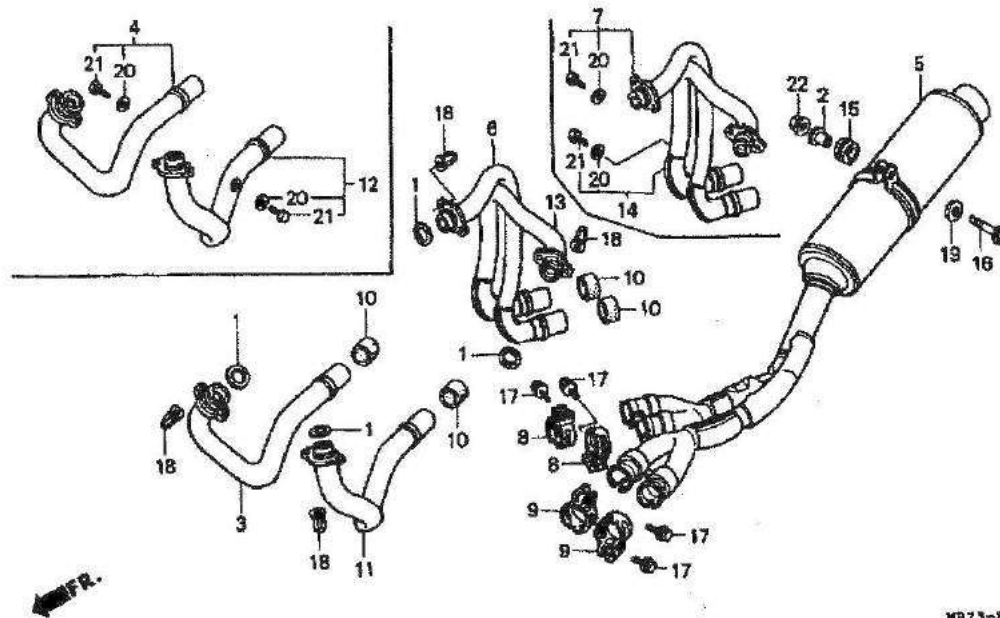
3

Service item	F.R.T.	Ref. No.	Part No.	Description	Reqd. No. VFR760K	Serial No.	Area code
		21	90702-MF5-003	CLAMP, WATER HOSE (27MM)	2 2 2		
		22	93500-04008-0G	SCREW, PAN, 4X8	1 1 1		
		23	93500-05008-0G	SCREW, PAN, 5X8	1 1 1		
		24	93893-05020-07	SCREW-WASHER, 5X20	7 7 7		
		25	96001-06012-07	BOLT, FLANGE, 6X12	1 1 1		

N 1

F-20

Exhaust muffler
Pot d'échappement
Auspufftopf
Silenciador



MR73-F20008

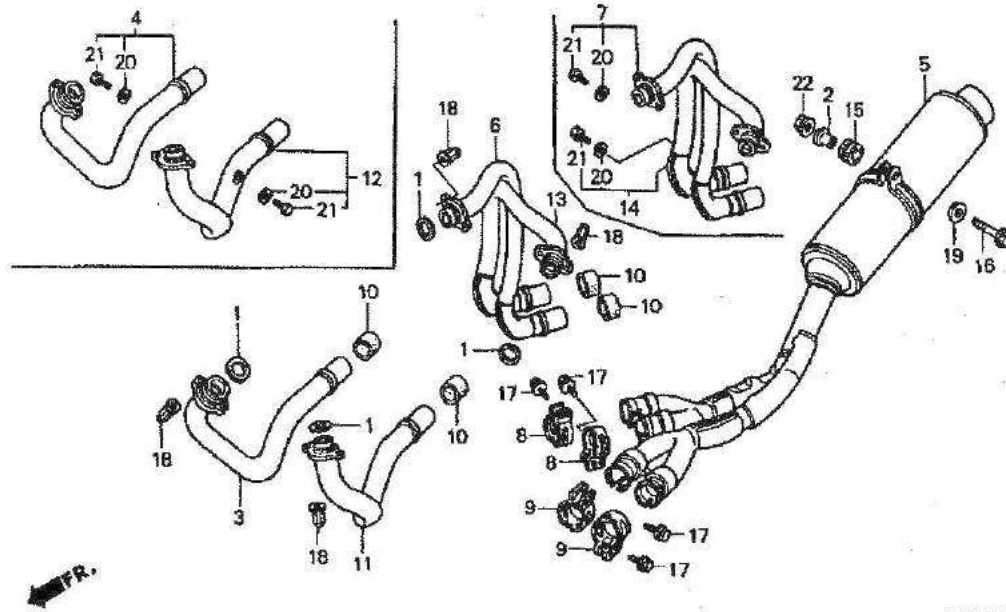
3

Service item	F.R.T.	Ref. No.	Part No.	Description	Reqd. No.			Serial No.	Area code	
					VFR750R	K	L			
PIPE, FR. EX. (ADD 0.1 FOR EACH.)	0.4	1	18291-MN5-650	GASKET, EX. PIPE	4	4	-	-----	SD	
			18291-216-000	GASKET A, EX. PIPE	4	4	4	-----	AR,B,CM,E,ED,F,FI,G,H,IT N,NZ,SP,SW,U	
MUFFLER COMP., EX.	0.8	2	18317-MR7-000	COLLAR, MUFFLER MOUNTING	1	1	1	-----	AR,B,CM,E,ED,F,FI,G,H,IT N,NZ,SD,SP	
PIPE, RR. EX. (ONE OR ALL)		3	18320-MR7-003	PIPE, R. FR. EX.	1	1	1	-----	AR,B,CM,E,ED,F,FI,G,H,IT N,NZ,SD,SP	
			18320-MR7-681	PIPE, R. FR. EX.	1	-	-	-----	SW	
						1	1	-----	U	
			4	18320-MR7-891	PIPE, R. FR. EX.	-	1	-	-----	SW
			5	18330-MR7-681	MUFFLER COMP., EX.	1	-	-	2000132	U
				18330-MR7-781	MUFFLER COMP., EX.	1	-	-	2000132	SD
				18330-MR7-881	MUFFLER COMP., EX.	1	-	-	2000132	NZ
				18330-MR7-602	MUFFLER COMP., EX.	1	-	-	-----	AR,B,CM,E,ED,F,FI,G,H,IT N,SP,SW
				18330-MR7-682	MUFFLER COMP., EX.	1	-	-	2000133	U
			18330-MR7-782	MUFFLER COMP., EX.	1	-	-	2000133	SD	
			18330-MR7-862	MUFFLER COMP., EX.	1	-	-	2000133	NZ	

N 2

F-20

Exhaust muffler
Pot d'échappement
Auspufftopf
Silenciador



MR73-P2000B

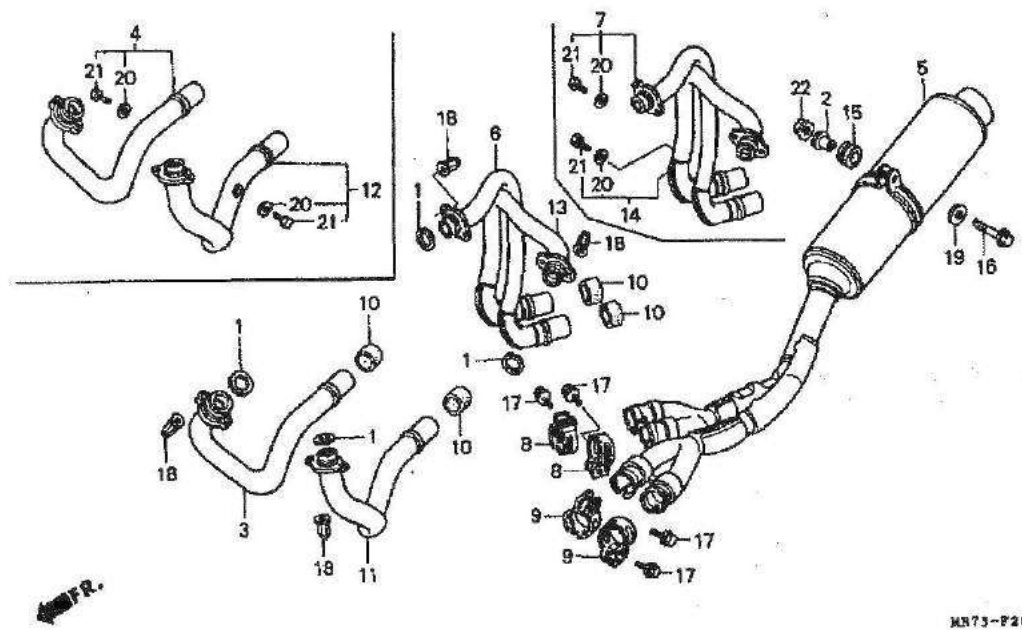
3

Service item	F.R.T.	Ref. No.	Part No.	Description	Reqd. No.			Serial No.	Area code
					V	K	L		
		[5]	18330-MR7-803	MUFFLER COMP., EX.	-	1	-	AR,B,C,M,E,ED,F,G,IT,SP,SW	
			18330-MR7-683	MUFFLER COMP., EX.	-	1	-	U	
			18330-MR7-783	MUFFLER COMP., EX.	-	1	-	SD	
		*	18330-MR7-604	MUFFLER COMP., EX.	-	-	1	E	
		6	18370-MR7-003	PIPE, R. RR. EX.	1	1	1	AR,B,C,M,E,ED,F,FI,G,H,IT	
			18370-MR7-681	PIPE, R. RR. EX.	1	-	-	N,NZ,SD,SP	
					1	1	-	SW	
		*	7	18370-MR7-891	PIPE, R. RR. EX.	-	1	SW	
		8	18373-MR7-003	BAND, R. MUFFLER	2	2	2		
		9	18374-MR7-003	BAND, L. MUFFLER	2	2	2		
		10	18392-MK4-000	PACKING, MUFFLER	4	4	4		
		11	18420-MR7-003	PIPE, L. FR. EX.	1	1	1	AR,B,C,M,E,ED,F,FI,G,H,IT	
								N,NZ,SD,SP	
					1	-	-	SW	
					1	1	-	U	
		*	12	18420-MR7-891	PIPE, L. FR. EX.	-	1	SW	

N 3

F-20

Exhaust muffler
 Pot d'échappement
 Auspufftopf
 Silenciador



MR73-P20008

3

Service item	F.R.T.	Ref. No.	Part No.	Description	Reqd. No.			Serial No.	Area code
					VFR780R	X			
		13	18470-MR7-003	PIPE, L. RR. EX.	1	1	1	AR,B,C,M,E,ED,F,FI,G,H,IT	
			18470-MR7-681	PIPE, L. RR. EX.	1	-	-	N,NZ,S,D,SP	
					1	1	-	U	
		* 14	18470-MR7-891	PIPE, L. RR. EX.	-	1	-	SW	
		15	80103-MG2-000	CUSHION, RR. FENDER	1	1	1		
		16	90136-MR7-000	BOLT, FLANGE, 8X28	1	1	1		
		17	90180-ML7-000	BOLT, FLANGE, 6X35	8	8	8		
		18	90304-438-000	NUT, CAP, 6MM	8	8	8		
		19	90465-422-000	WASHER, THRUST, 8MM	1	1	1		
		* 20	90543-273-000	PACKING, FR. FORK DRAIN COCK	-	4	-	SW	
		* 21	92101-06008-4J	BOLT, HEX., 8X8	-	4	-	SW	
		22	94050-08000	NUT, FLANGE, 8MM	1	1	1		

N 4

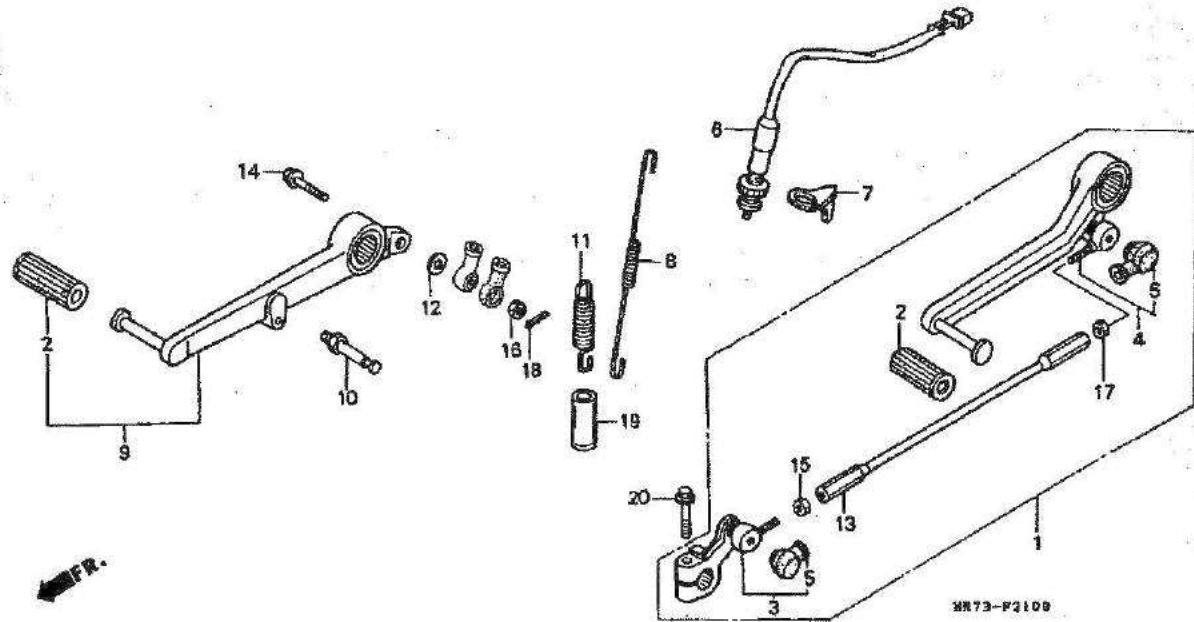
F-21

Brake pedal •
Change pedal

Pédale de frein •
Pédale de changement

Bremspedal • Schaltpedal

Pedal de freno •
Pedal de cambio



3

Service item	F.R.T.	Ref. No.	Part No.	Description	Ref. No. VFR700R	Serial No.	Area code
PEDAL ASSY., GEAR CHANGE	0.2	1	24700-MR7-600	PEDAL ASSY., GEAR CHANGE	1	-	-
PEDAL COMP., GEAR CHANGE			24700-MR7-601	PEDAL ASSY., GEAR CHANGE	-	1	1
ARM COMP., GEAR CHANGE	0.1	2	24705-MR7-000	RUBBER, GEAR CHANGE PEDAL	2	2	2
SWITCH ASSY., RR. STOP	0.4	3	24710-MR7-000	ARM COMP., GEAR CHANGE	1	1	1
PEDAL, RR. BRAKE	0.3	4	24720-MR7-600	PEDAL COMP., GEAR CHANGE	1	-	-
			24720-MR7-601	PEDAL COMP., GEAR CHANGE	-	1	1
		5	24724-422-000	COVER, DUST	2	2	2
		6	36350-MR7-000	SWITCH ASSY., RR. STOP	1	1	1
		7	36355-MR7-000	STAY, STOP SWITCH	1	1	1

N 5

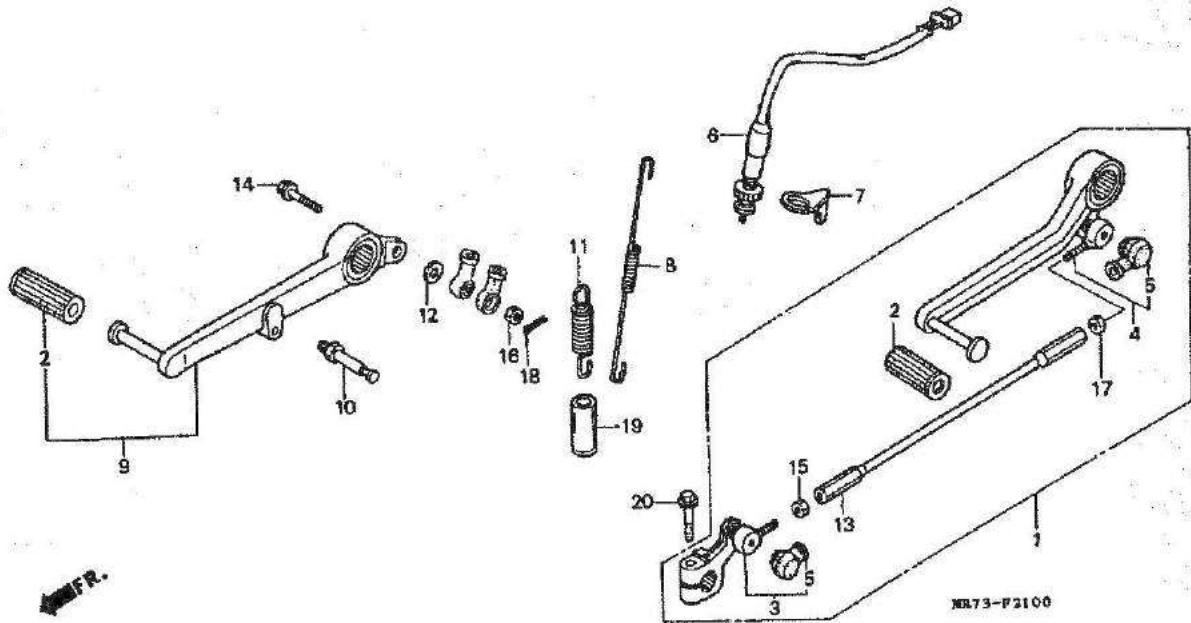
F-21

Brake pedal •
Change pedal

Pédale de frein •
Pédale de changement

Bremspedal • Schaltpedal

Pedal de freno •
Pedal de cambio



3

Service Item	F.R.T.	Ref. No.	Part No.	Description	Reqd. No.			Serial No.	Area code
					VFR15GR	K	L		
		8	36357-KE7-000	SPRING, STOP SWITCH	1	1	1		
		9	46501-MR7-300	PEDAL, RR. BRAKE	1	1	1		
		10	46502-MR7-000	PIN, BRAKE PEDAL	1	1	1		
		11	46514-MR7-000	SPRING, BRAKE PEDAL RETURN	1	1	1		
		12	68853-SA4-000	WASHER, PLAIN	1	1	1		
		13	90065-MR7-300	BAR, GEAR CHANGE	1	1	1		
		14	90118-MR7-000	BOLT, FLANGE, 8X32	1	-	-	2001069	AR,B,E,ED,F,FI,G,H,N,NZ SD,SP,U
			90118-MR7-690	BOLT, FLANGE, 8X32	1	-	-	2001070	AR,B,E,ED,F,FI,G,H,N,NZ SD,SP,U
					1	1	-		CM,IT,SW
					-	1	1		AR,B,E,ED,F,G,SD,SP,U

N 6

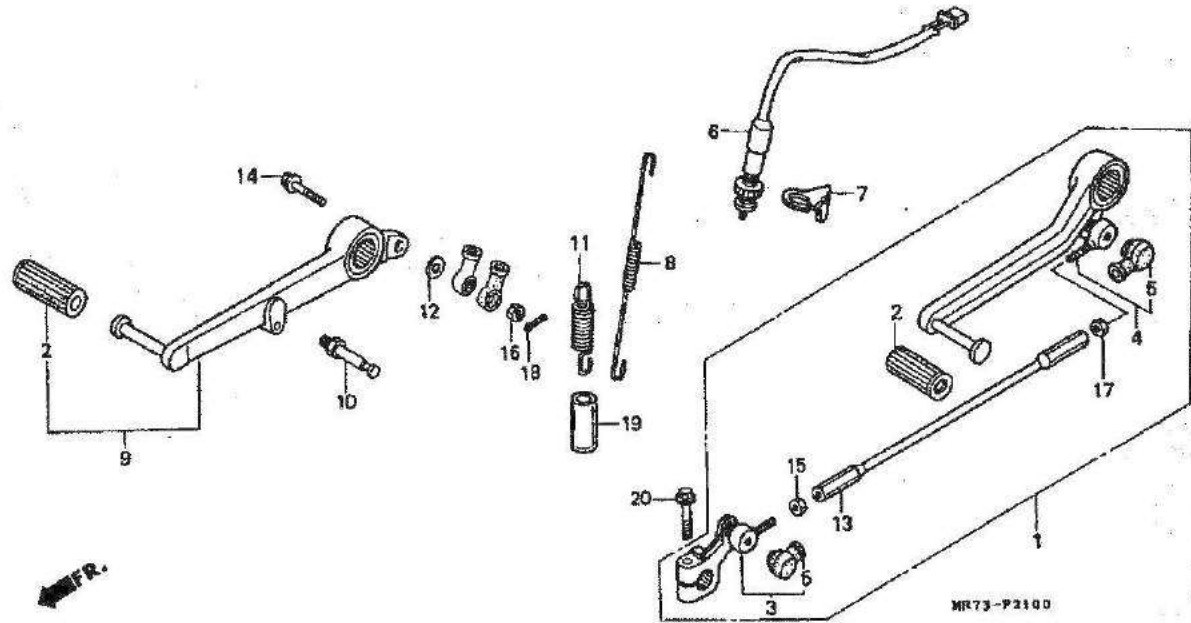
F-21

Brake pedal •
Change pedal

Pédale de frein •
Pédale de changement

Bremspedal • Schaltpedal

Pedal de freno •
Pedal de cambio



3

Service item	F.R.T.	Ref. No.	Part No.	Description	Ref. No. VFR750R	Serial No.	Area code
		15	90201-700-000	NUT, GOVERNOR ARM FIXING	1 - -	2001827	AR,B,E,ED,F,FI,G,H,IT,N NZ,SD,SP,SW,U
			90201-KV3-700	NUT B, TIE ROD	1 - -	JM000030	CM
					1 - -	2001828	AR,B,E,ED,F,FI,G,H,IT,N NZ,SD,SP,SW,U
					- 1 1	JM000031	CM
		16	94001-08000-05	NUT, HEX., 8MM	1 1 1		
		17	94002-06020-05	NUT, HEX., 6MM	1 1 1		
		18	94201-16150	PIN, SPLIT, 1.6X15	1 1 1		
		19	95003-43004-10	TUBE, VINYL, 13X15X40	1 1 1		
		20	96001-06022-02	BOLT, FLANGE, 6X22	1 1 1		

N 7

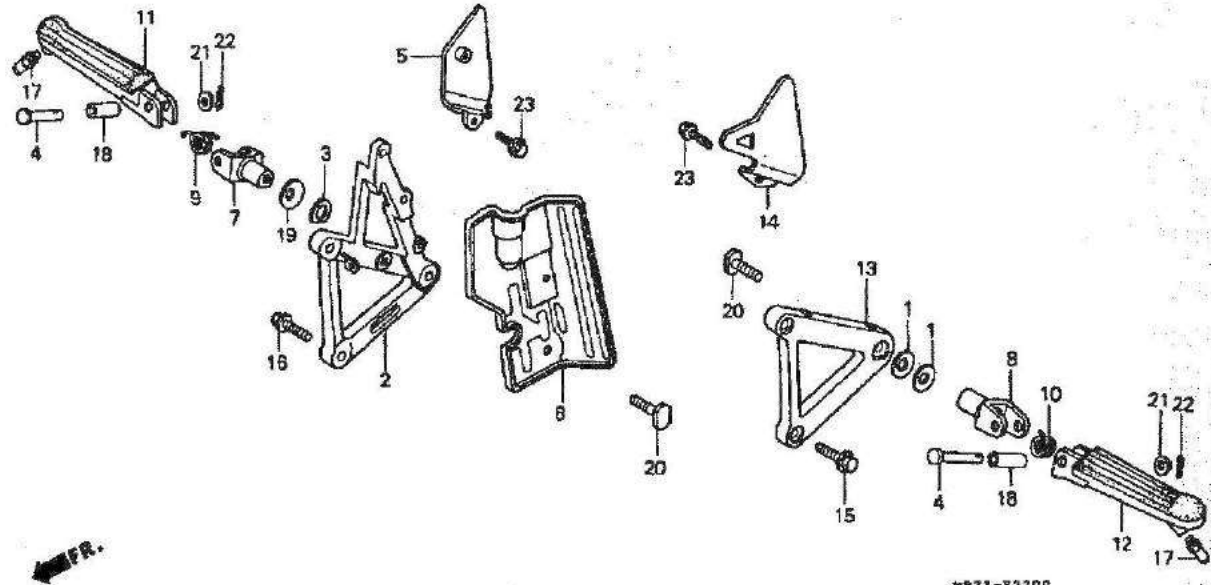
F-22

Step

Repose pieds

Tritt

Estribo



MR73-72200

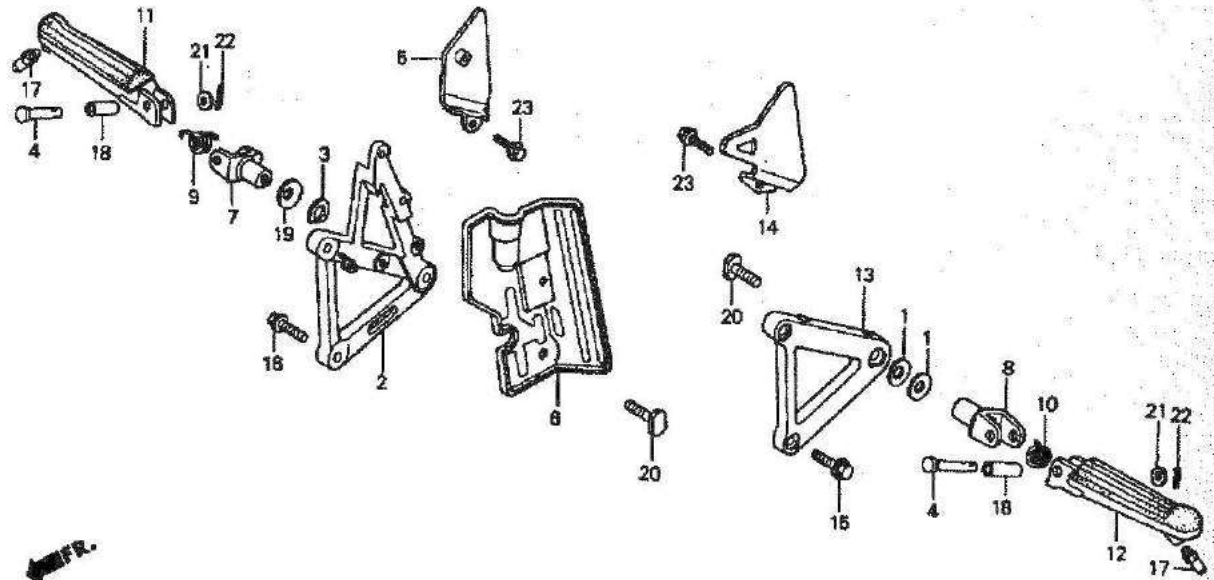
3

Service item	F.R.T.	Ref. No.	Part No.	Description	Repl. No.			Serial No.	Area code
					VFR750R	K	L		
HOLDER COMP., R. MAIN STEP	0.3	1	24707-MR7-000	WASHER, GEAR CHANGE PIVOT	2	2	2		
GUARD, R. STEP HEAT	0.2	2	50600-MR7-000	HOLDER COMP., R. MAIN STEP	1	1	1		
BRACKET, R. MAIN STEP		3	50601-MR7-000	WASHER, SPECIAL	1	1	1		
BRACKET, L. MAIN STEP		4	50603-GS9-000	PIN, MAIN STEP BAR JOINT	2	-	-		AR,B,E,ED,F,FI,G,H,IT,N
HOLDER COMP., L. MAIN STEP									NZ,SD,SW
ARM COMP., R. STEP	0.1				2	2	-		CM,SP,U
(INC. RELATIVE PART)					-	2	-	2100644	AR,B,E,ED,F,G,IT,SD,SW
ARM COMP., L. STEP		*	50603-GS9-010	PIN, MAIN STEP BAR JOINT	-	2	-	2100645	AR,B,E,ED,F,G,IT,SD,SW
(INC. RELATIVE PART)					-	2	-		U
			5	50605-MR7-000	GUARD, R. STEP	1	1	1	
			6	50606-MR7-000	GUARD, R. STEP HEAT	1	1	1	

N 8

F-22

Step
Repose pieds
Tritt
Estribo



MR73-P2200

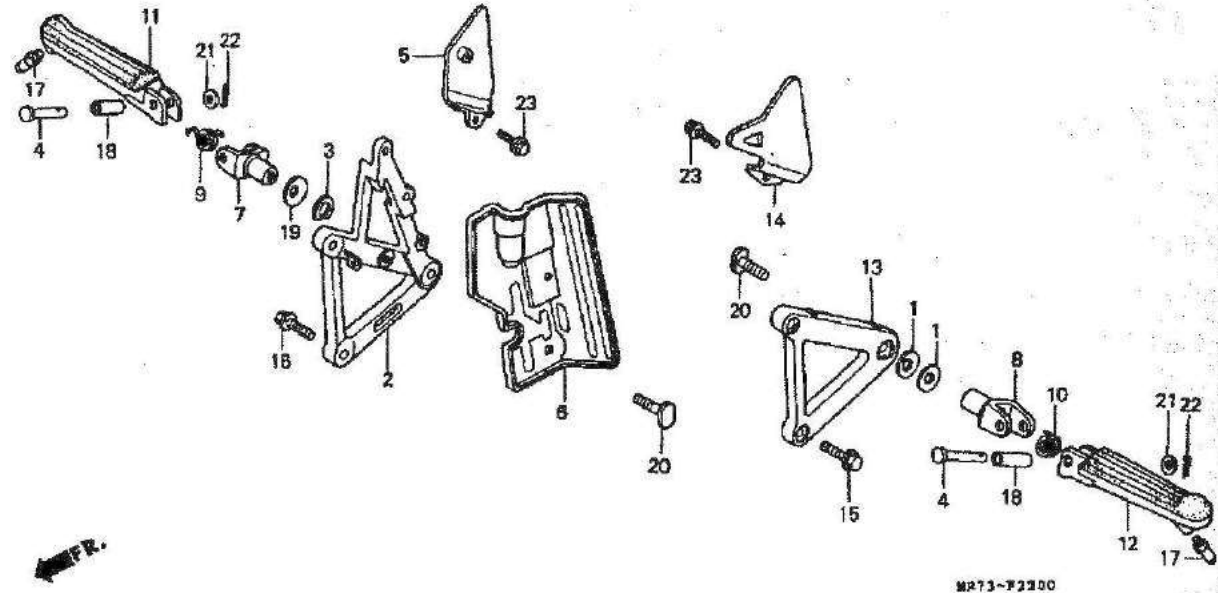
3

Service item	F.R.T.	Ref. No.	Part No.	Description	Reqd. No.			Serial No.	Area code
					VFR75DR	K			
		7	50612-MR7-000	BRACKET, R. MAIN STEP	1	1	1		
		8	50613-MR7-000	BRACKET, L. MAIN STEP	1	1	1		
		9	50617-446-840	SPRING, R. STEP RETURN	1	1	1		
		10	50644-446-840	SPRING, L. STEP RETURN	1	1	1		
		11	50660-KV3-000	ARM COMP., R. STEP	1	1	1		
		12	50670-MR7-000	ARM COMP., L. STEP	1	1	1		
		13	50700-MR7-000	HOLDER COMP., L. MAIN STEP	1	1	1		
		14	50705-MR7-000	GUARD, L. STEP	1	1	1		
		15	90106-MR7-000	BOLT, FLANGE, BX25	2	2	2		

N 9

F-22

Step
Repose piede
Tritt
Estribo



MR73-F2200

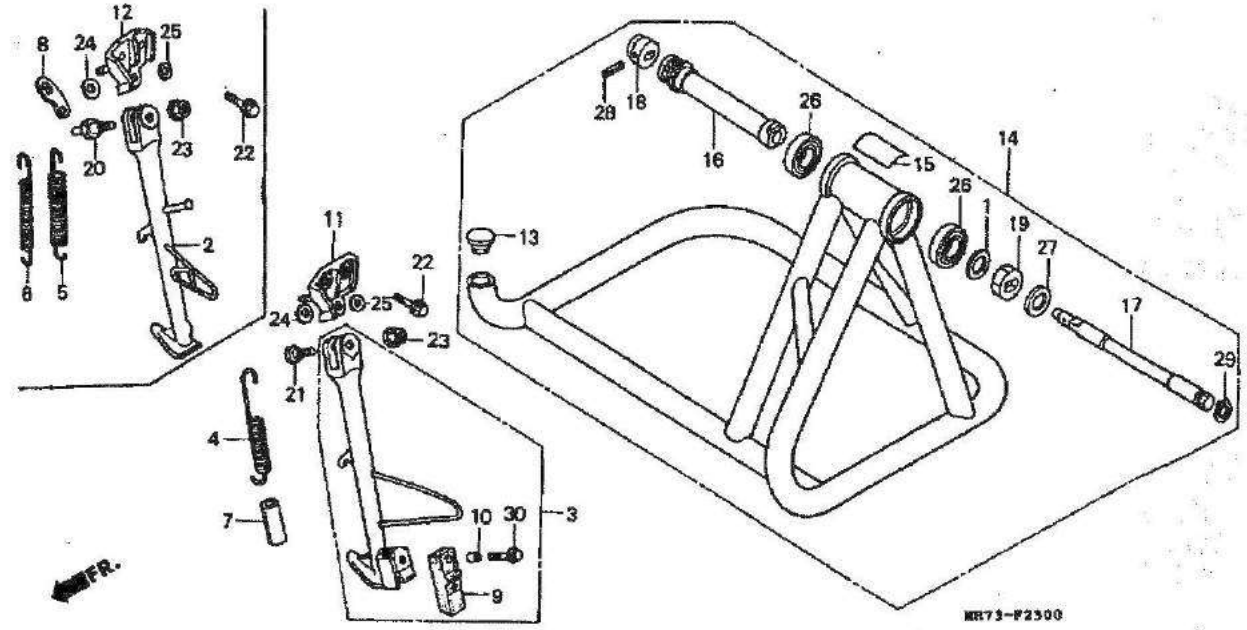
3

Service item	F.R.T.	Ref. No.	Part No.	Description	Reqd. No. VFR750R	Serial No.	Area code
		16	90107-MR7-000	BOLT, FLANGE, 8X32	2 2 2	AR,B,E,ED,F,FI,G,H,IT,N NZ,SD,SP,SW,U
			90106-MR7-000	BOLT, FLANGE, 8X25	2 - -	CM
		17	90178-MJ8-740	BOLT, SPECIAL CAP, 8X10	2 2 2	CM
		18	90501-KV3-000	COLLAR, STEP PIVOT	2 2 2	
		19	90505-MR7-000	WASHER, WAVE, 17.5MM	1 1 1	
		20	90510-MR7-000	BOLT, MAIN STEP BRACKET	2 2 2	
		21	94102-08000	WASHER, PLAIN, BMM	2 2 2	
		22	94201-18150	PIN, SPLIT, 1.8X15	2 2 2	
		23	98001-06010-00	BOLT, FLANGE, 6X10	2 2 2	

N 10

F-23

Stand
Bequille
Ständer
Estante



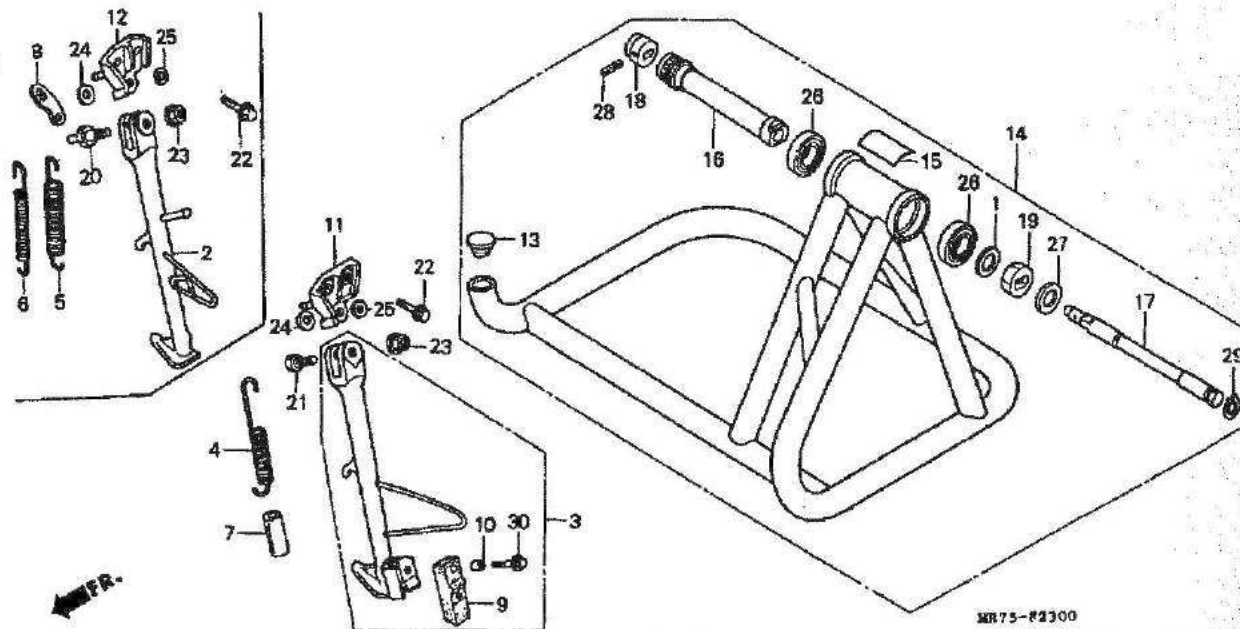
3

Service item	F.R.T.	Ref. No.	Part No.	Description	Read No. VFR760R	Serial No.	Area code
BAR, SIDE STAND	0.2	1	41641-HC5-000	SHIM K, DIFFERENTIAL CASE			
BAR ASSY., SIDE STAND					(1.00)	(1) (1) (1)	
BRACKET, SIDE STAND		2	50530-MR7-610	BAR, SIDE STAND	1	1	AR,FI,G,N
SPRING, SIDE STAND	0.1	3	50540-MR7-000	BAR ASSY., SIDE STAND	1	1	B,C,M,E,ED,F,H,IT,NZ,SD,SP SW,U
		4	50541-KE8-000	SPRING, SIDE STAND	1	1	B,C,M,E,ED,F,H,IT,NZ,SD,SP SW,U
		5	50541-MK4-730	SPRING, SIDE STAND	1	1	AR,FI,G,N
		6	50542-MK4-730	SUB SPRING, SIDE STAND	1	1	AR,FI,G,N
		7	50544-MR7-000	TUBE, SIDE STAND SPRING	1	1	B,C,M,E,ED,F,H,IT,NZ,SD,SP SW,U
		8	50545-MK4-730	PLATE, SIDE STAND SPRING	1	1	AR,FI,G,N

N 11

F-23

Stand
Bequille
Ständer
Estante



MR75-F2300

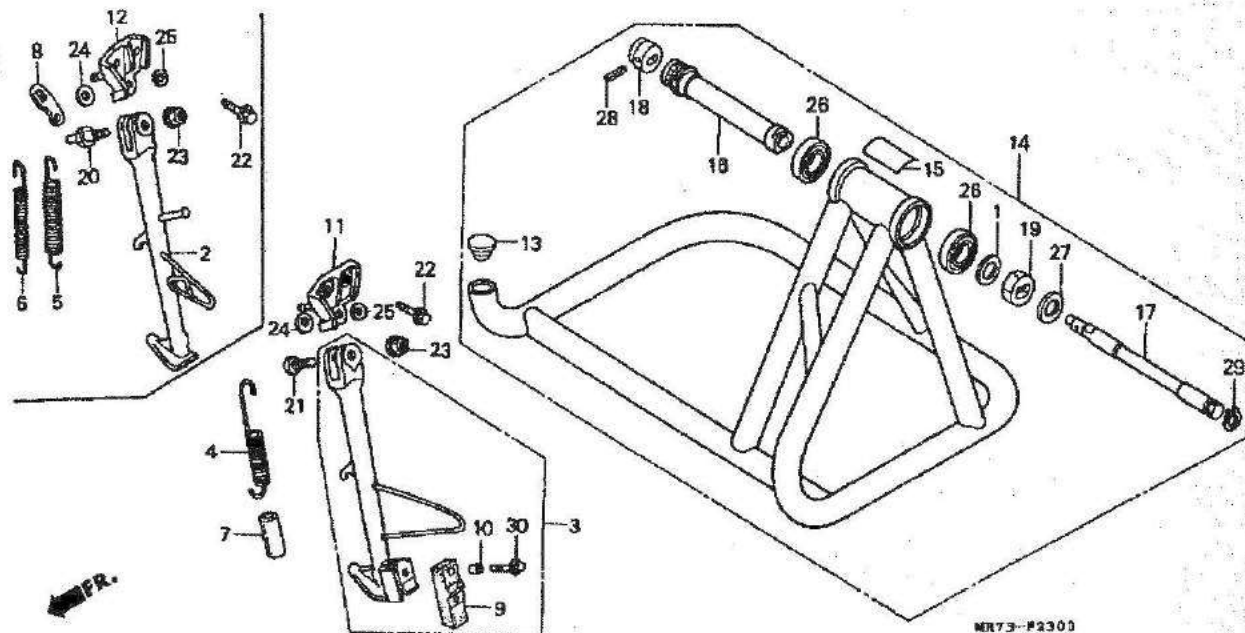
3

Service item	F.R.T.	Ref. No.	Part No.	Description	Reqd. No.			Serial No.	Area code
					VFR750R	K	L		
		9	50548-356-700	RUBBER, STAND	1	1	1		B,CM,E,ED,F,H,IT,NZ,SD,SP SW,U
		10	50549-356-700	COLLAR, STAND RUBBER SETTING	1	1	1		B,CM,E,ED,F,H,IT,NZ,SD,SP SW,U
		11	50550-MR7-000	BRACKET, SIDE STAND	1	1	1		B,CM,E,ED,F,H,IT,NZ,SD,SP SW,U
		12	50550-MR7-610	BRACKET, SIDE STAND	1	1	-		AR,FI,G,N
		13	52161-051-000	CAP. CROSS MEMBER SIDE	(1)	(1)	(1)		
		14	85000-MR7-600	STAND ASSY., MAINTENANCE	(1)	-	-	2000326	AR,B,E,ED,FI,H,IT,N,NZ,SD SP,SW,U
			85000-MR7-601	STAND ASSY., MAINTENANCE	(1)	-	-	2000327	AR,B,E,ED,FI,H,IT,N,NZ,SD SP,SW,U
			85000-MR7-602	STAND ASSY., MAINTENANCE	(1)	-	-		CM
			85000-MR7-610	STAND ASSY., MAINTENANCE	-	(1)	(1)		AR,B,CM,E,ED,IT,SD,SP,SW U
			85000-MR7-610	STAND ASSY., MAINTENANCE	(1)	-	-	2000326	G

N 12

F-23

Stand
Bequille
Ständer
Estante



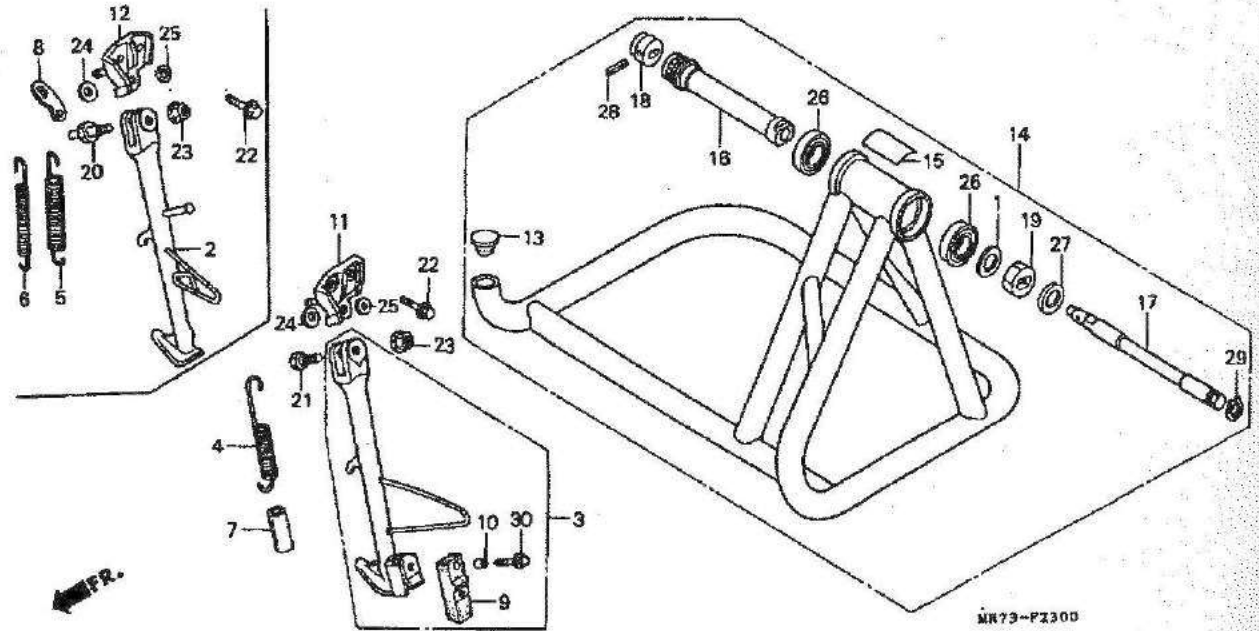
3

Service item	F.R.T.	Ref. No.	Part No.	Description	Mod. No. VFR750A K	Serial No.	Area code
		14)	85000-MR7-611	STAND ASSY., MAINTENANCE	(1) - -	2000327	G
			85000-MR7-620	STAND ASSY., MAINTENANCE	(1) - -	2000326	G
			85000-MR7-621	STAND ASSY., MAINTENANCE	(1) - -	2000327	F
			85000-MR7-622	STAND ASSY., MAINTENANCE	(1) - -		F
		15	85001-MR7-600	CAUTION, STAND	(1) - -		F
			85001-MR7-6D1	LABEL, STAND CAUTION	- (1) (1)		AR,B,CM,E,ED,FI,H,IT,N,NZ SD,SP,SW,U
			85001-MR7-610	CAUTION, STAND	(1) (1) -		AR,B,CM,E,ED,IT,SD,SP,SW U
			85001-MR7-620	CAUTION, STAND (FRENCH)	(1) - -		G
			85001-MR7-621	LABEL, STAND CAUTION	(1) - -		CM,F
					- (1) -		CM,F

N 13

F-23

Stand
Bequille
Ständer
Estante



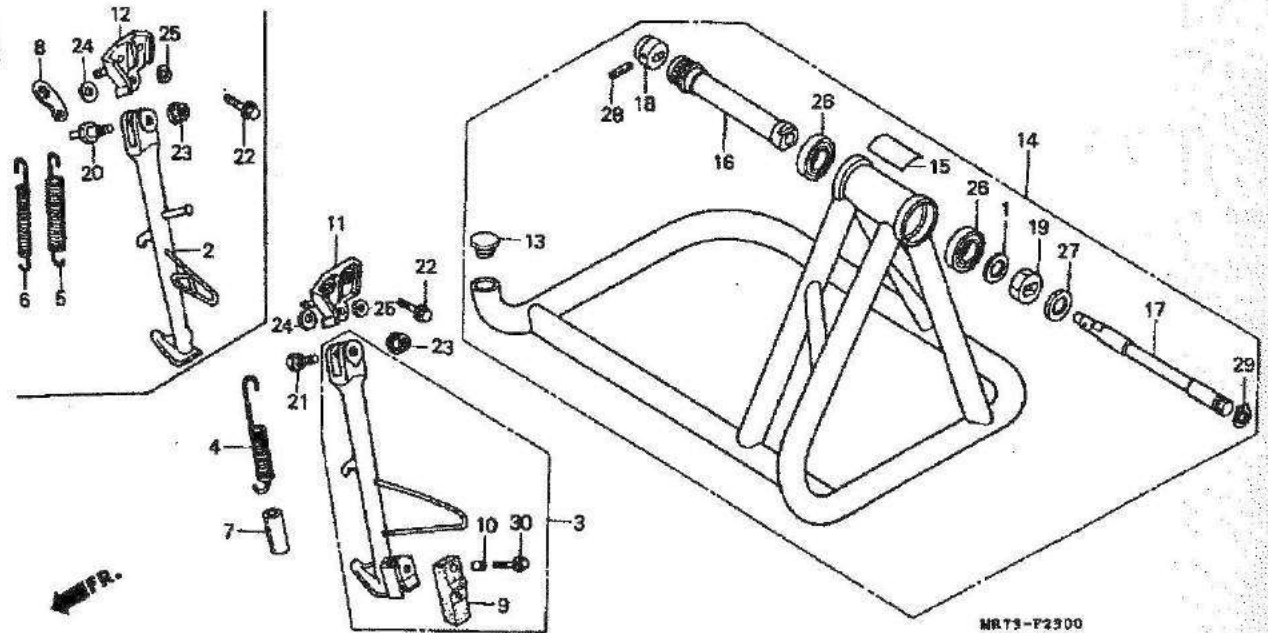
3

Service item	F.R.T.	Ref. No.	Part No.	Description	Feed. No. VFR760R	Serial No.	Area code
		16	85020-MR7-000	COLLAR COMP.	{1} - -	2000328	AR,B,E,ED,F,FI,G,H,IT,N NZ,SD,SP,SW,U
			85020-MR7-010	COLLAR COMP.	{1} - -	2000327	CM
					{1} (1) -		AR,B,E,ED,F,FI,G,H,IT,N NZ,SD,SP,SW,U
					- (1) (1)		CM
							AR,B,E,ED,F,G,IT,SD,SP,SW U
		17	85031-MR7-000	SHAFT, MAINTENANCE STAND	{1} (1) (1)		
		18	85032-MR7-000	BUSH, CLAMPER	{1} (1) (1)		
		19	85033-MR7-000	NUT, MAINTENANCE STAND	{1} (1) (1)		
		20	90108-MF8-710	BOLT, SIDE STAND PIVOT	1 1 -		AR,FI,G,N
		21	90108-ML7-610	BOLT, SIDE STAND PIVOT	1 1 1		B,CM,E,ED,F,H,IT,NZ,SD,SP SW,U
		22	90135-MR7-000	BOLT, FLANGE, BX25	2 2 2		

N 14

F-23

Stand
Bequille
Ständer
Estante



MR73-F2300

3

Service item	F.R.T.	Ref. No.	Part No.	Description	Reqd. No. VFR750R	Serial No.	Area code
		23	90203-MF8-710	NUT, SIDE STAND	1	1	1
		24	90501-MF9-710	WASHER, THRUST, 24X13	1	1	1
		25	90502-MF9-710	WASHER, THRUST, 24X10	1	1	1
		26	91006-MR7-003	BEARING, BALL, 6906ZZ	(2)	(2)	(2)
		27	94101-18700	WASHER, PLAIN, 18MM	(1)	(1)	(1)
		28	94305-40301	PIN, SPRING, 4X30	(1)	(1)	(1)
		29	94610-19000	CIRCLIP, EXTERNAL, 19MM	(1)	(1)	(1)
		30	96000-06025-07	BOLT, FLANGE, 6X25	1	1	1
							B, C, M, E, ED, F, H, IT, NZ, SD, SP SW, U

N 15

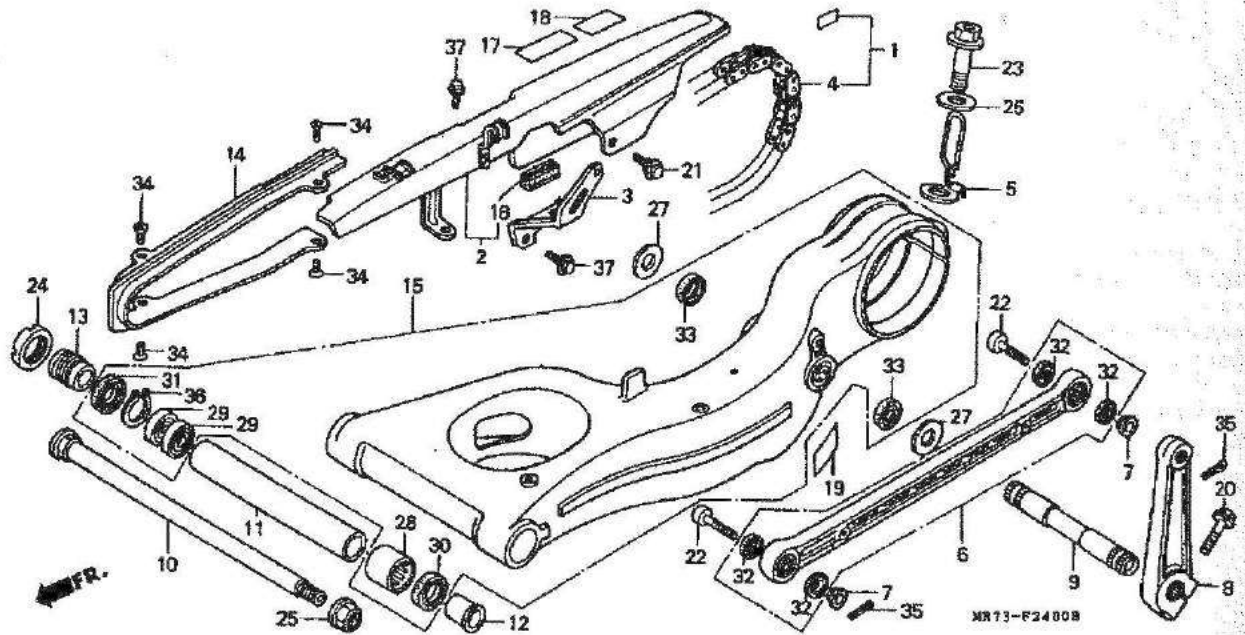
F-24

Swingarm • Chain case

Bras de tour •
Carter de chaîne

Schwingarm •
Kettenschutz

Brazo de vuelta •
Caja de cadena



3

Service Item	F.R.T.	Ref. No.	Part No.	Description	Reqd. No. VFR75DR J K L	Serial No.	Area code
CHAIN SET, DRIVE	1.4	1	405A3-MR7-005	CHAIN SET, DRIVE (RK EXCEL)			
CASE COMP., DRIVE CHAIN	0.1			(RK-GB525R0-106LE)	1 1 -		
LINK ASSY., TORQUE	0.3	2	40510-MR7-000	CASE COMP., DRIVE CHAIN	1 1 1	70-10	
ARM B, BRAKE TORQUE	0.2	3	40515-MR7-000	STAY, CHAIN CASE	1 1 1	18-35	
SHAFT, BRAKE TORQUE		4	40530-MR7-005	CHAIN, DRIVE (RK EXCEL)			
COLLAR, RR. FORK PIVOT	1.2			(RK-GB525R0 106LE)	- - 1		
SLIDER, CHAIN	0.7	5	43350-MR7-000	GUIDE, BRAKE HOSE	1 1 1		
SWINGARM SET	1.7						
BEARING, NEEDLE	1.6	6	43430-MR7-000	LINK ASSY., TORQUE	1 1 1		
BEARING, RADIAL BALL, 20X37X9	1.6	7	43433-MR7-000	COLLAR, TORQUE LINK	2 2 2		
(ONE OR ALL)		8	43434-MR7-000	ARM B, BRAKE TORQUE	1 1 1		
		9	43438-MR7-000	SHAFT, BRAKE TORQUE	1 1 1		
		10	52101-MR7-610	BOLT, SWINGARM PIVOT	1 - -	2001279	AR,B,E,ED,F,FI,G,H,IT,N NZ,SD,SP,SW,U

N 16

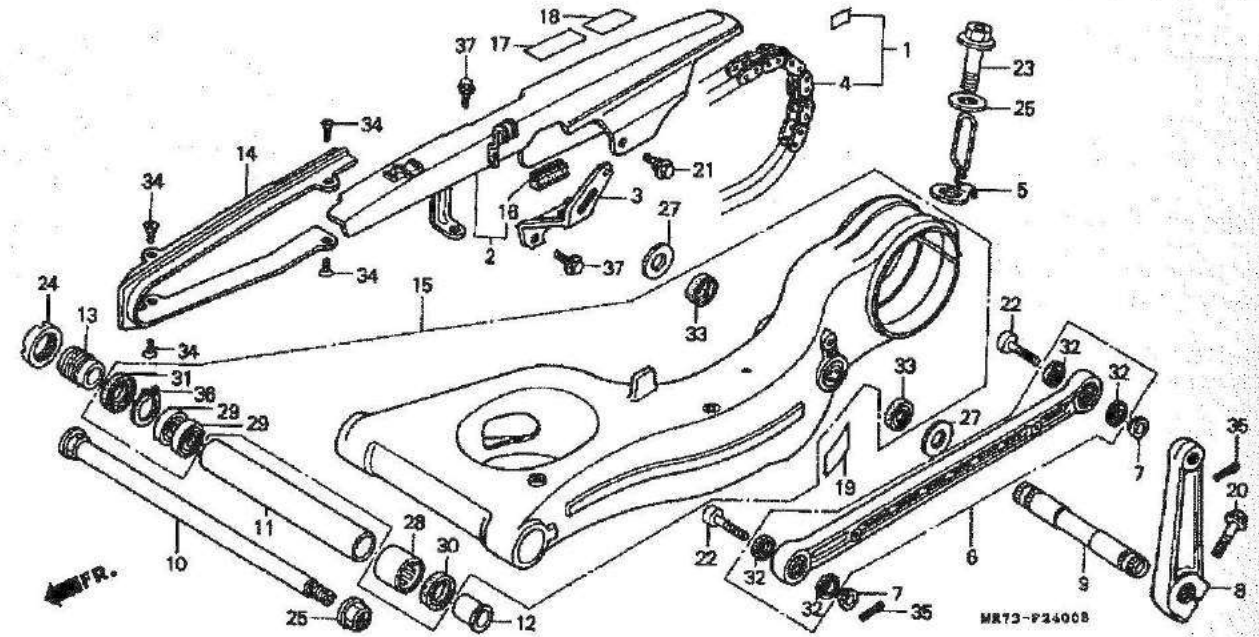
F-24

Swingarm • Chain case

Bras de tour •
Carter de chaîne

Schwingarm •
Kettenschutz

Braço de vuela •
Caja de cadena



3

Service item	F.R.T.	Ref. No.	Part No.	Description	Reqd. No. VFR750R	Serial No.	Area code
		10)	52101-MR7-000	BOLT, SWINGARM PIVOT	1 - -	2001280	AR, B, E, ED, F, FI, G, H, IT, N NZ, SD, SP, SW, U
					1 1 -		CM
					- 1 1		AR, B, E, ED, F, G, IT, SD, SP, SW U
		11	52102-MR7-000	COLLAR, RR. FORK PIVOT	1 1 1		
		12	52106-MR7-000	COLLAR B, PIVOT	1 1 1		
		13	52109-MR7-000	BOLT, PIVOT ADJUSTING	1 1 1		
		14	52170-MR7-000	SLIDER, CHAIN	1 1 1		
		15	52200-MR7-305	SWINGARM SET	1 1 1		
		16	64121-MR7-300	RUBBER, CHAIN CASE	1 1 1		
		17	87505-MR7-610	MARK, TIRE CAUTION	1 1 1		AR, B, E, ED, FI, G, H, IT, N, NZ SD, SP, U

2-C 1

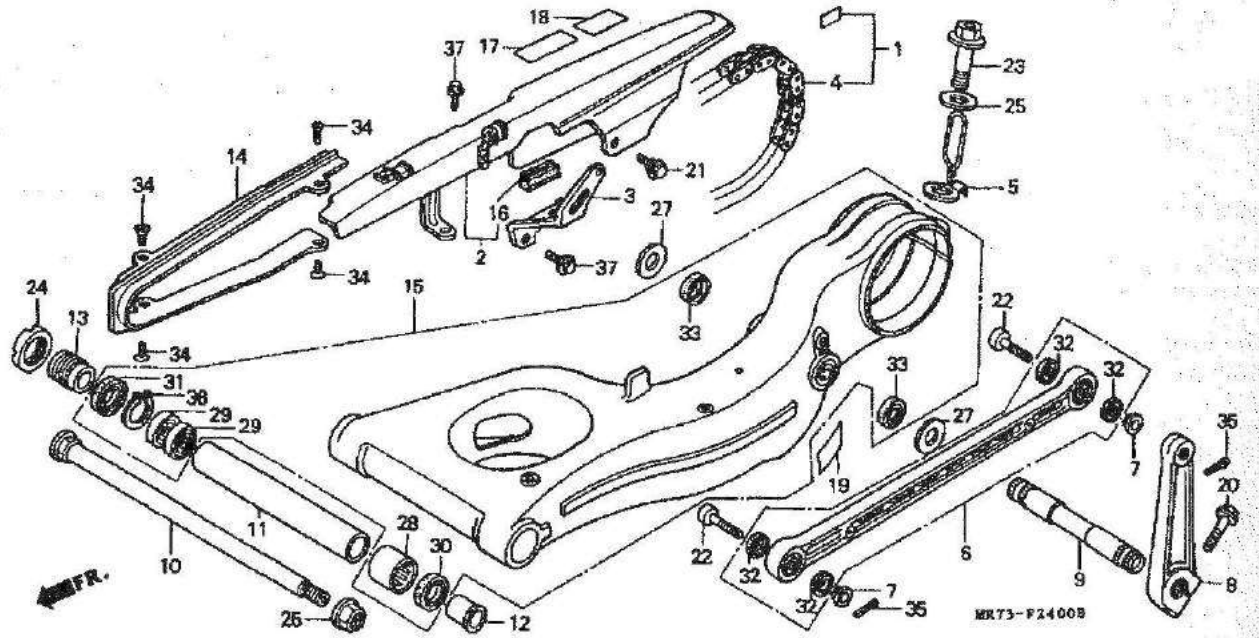
F-24

Swingarm • Chain case

Bras de tour •
Carter de chaîne

Schwingarm •
Kettenschutz

Brazo de vuelta •
Caja de cadena



3

Service item	F.R.T.	Ref. No.	Part No.	Description	Reqd. No.			Serial No.	Area code
					VFR760R	J	K		
		17)	87505-MR7-620	MARK, TIRE CAUTION (FRENCH)	1	1	-	F
			87505-MR7-690	MARK, TIRE CAUTION	1	1	-	SW
			87505-MR7-720	MARK, TIRE CAUTION	1	-	-	CM
			87505-MR7-721	MARK, TIRE CAUTION	-	1	-	CM
			87505-MR7-740	MARK, TIRE CAUTION (FRENCH)	1	-	-	CM
			87505-MR7-741	MARK, TIRE CAUTION (FRENCH)	-	1	-	CM
		18	87507-MR7-610	MARK, DRIVE CHAIN CAUTION	1	1	1	AR,B,CM,E,ED,FI,G,H,IT,N NZ,SD,SP,SW,U
			87507-MR7-620	MARK, DRIVE CHAIN CAUTION (FRENCH)	1	1	-	CM,F
		19	87521-MLO-731	LABEL, SWINGARM	1	-	-	2020501	AR,B,E,ED,F,FI,G,H,IT,N NZ,SD,SP,SW,U
		20	90107-MR7-000	BOLT, FLANGE, BX32	1	1	1	

2-C 2

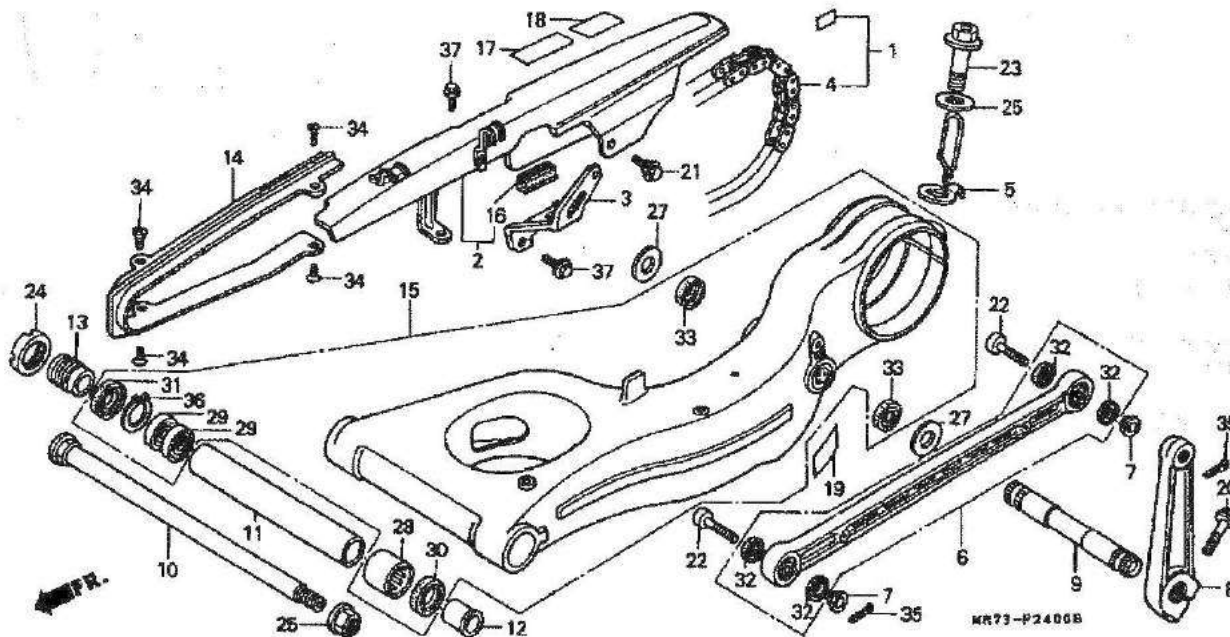
F-24

Swingarm • Chain case

Bras de tour •
Carter de chaîne

Schwingarm •
Kettenschutz

Brazo de vuelta •
Caja de cadena



3

Service item	F.R.T.	Ref. No.	Part No.	Description	Reqd. No. VFR750R	Serial No.	Area code
		21	90111-ML0-730	BOLT, FLANGE, 6MM	1	1	1
		22	90122-MR7-000	BOLT, SOCKET, 10X30	2	2	2
		23	90155-MR7-000	BOLT, FLANGE, 16X51	1	1	1
		24	90301-MR7-000	NUT, LOCK, 30X1.5	1	1	1
		25	90306-MB4-003	NUT, U, 18MM	1	1	1
		26	90559-HA8-000	WASHER, PLAIN, 16MM	1	1	1
		27	90655-MR7-000	WASHER, TORQUE LINK	2	2	2
		28	91071-MR7-003	BEARING, NEEDLE	1	1	1
		29	91072-MR7-003	BEARING, RADIAL BALL, 20X37X9	2	2	2
		30	91202-MR7-003	DUST SEAL, 28X37X4	1	1	1
		31	91214-MR7-003	DUST SEAL, 26X37X6	1	1	1
		32	91272-KA3-711	DUST SEAL, 13X19X3	4	4	4
		33	91285-MR7-003	DUST SEAL, 20X31X6	2	2	2
		34	93600-05012-0A	SCREW, FLAT, 5X12	4	4	4
		35	94201-20180	PIN, SPLIT, 2.0X18	2	2	2

2-C 3

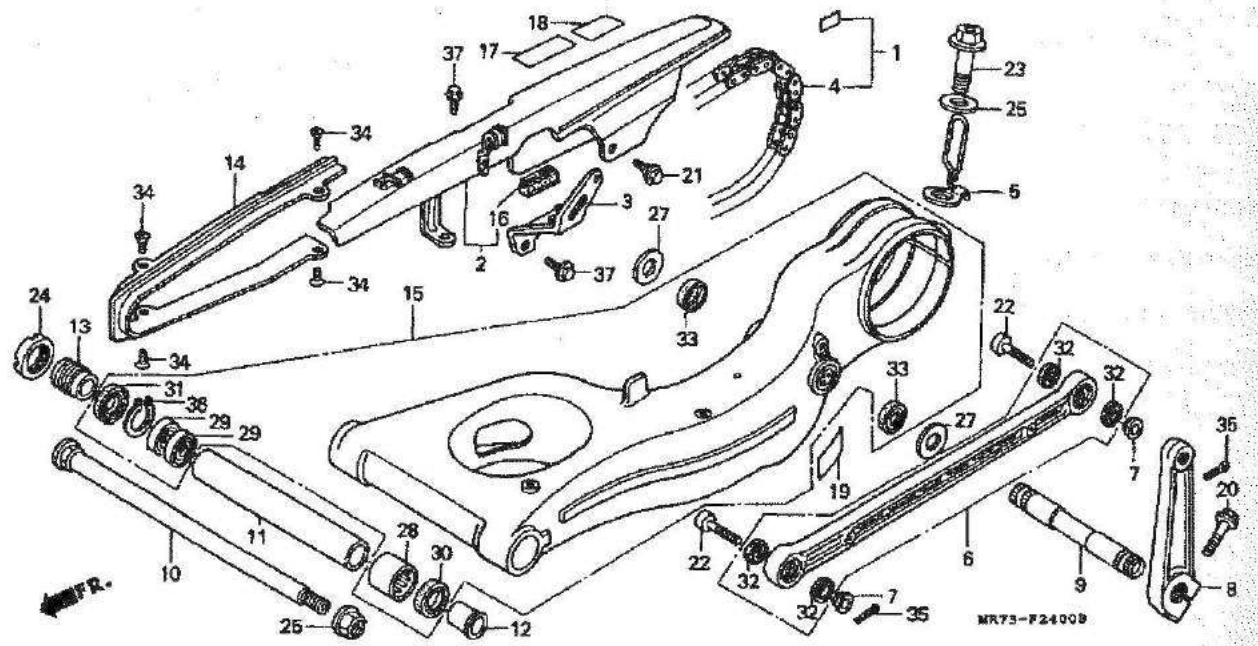
F-24

Swingarm • Chain case

Bras de tour •
Carter de chaîne

Schwingarm •
Kettenschutz

Braço de volta •
Caja de cadena



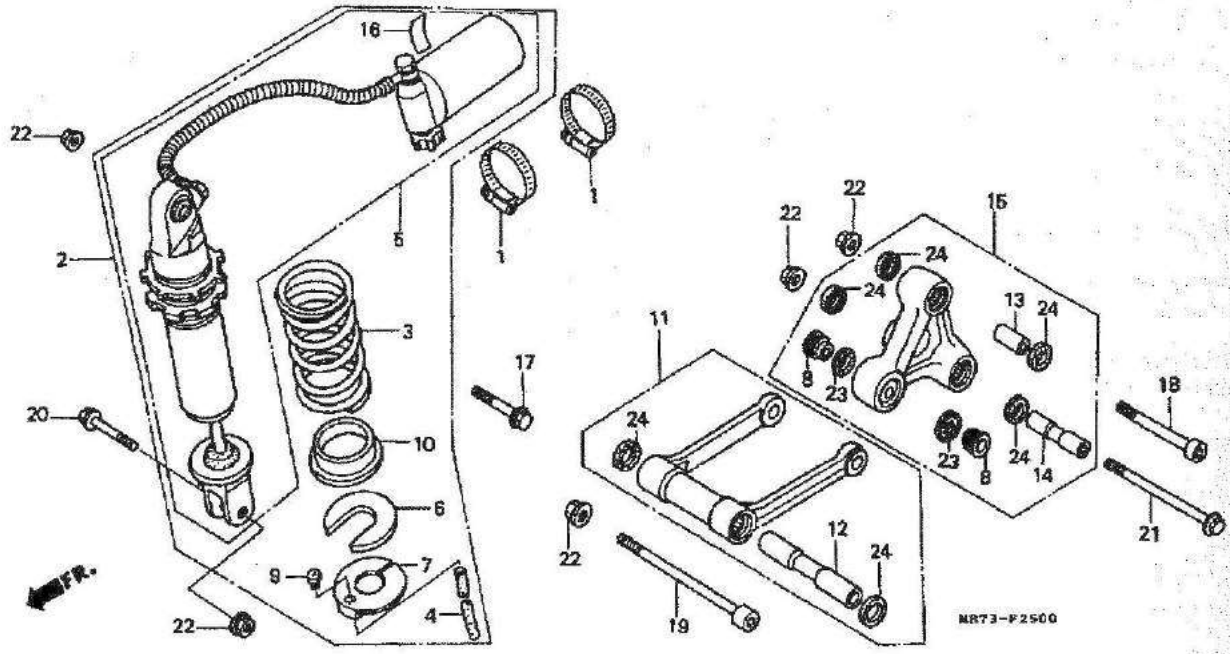
3

Service item	F.R.T.	Ref. No.	Part No.	Description	Reqd. No. VFR7509	Serial No.	Area code
		36	94520-37000	CIRCLIP, INTERNAL, 37MM	1 1 1		
		37	98300-06012-07	BOLT, FLANGE, 6X12	2 2 2		

2-C 4

F-25

Rear cushion
 Amortisseur arrière
 Hinterer Stoßdämpfer
 Amortiguador trasero



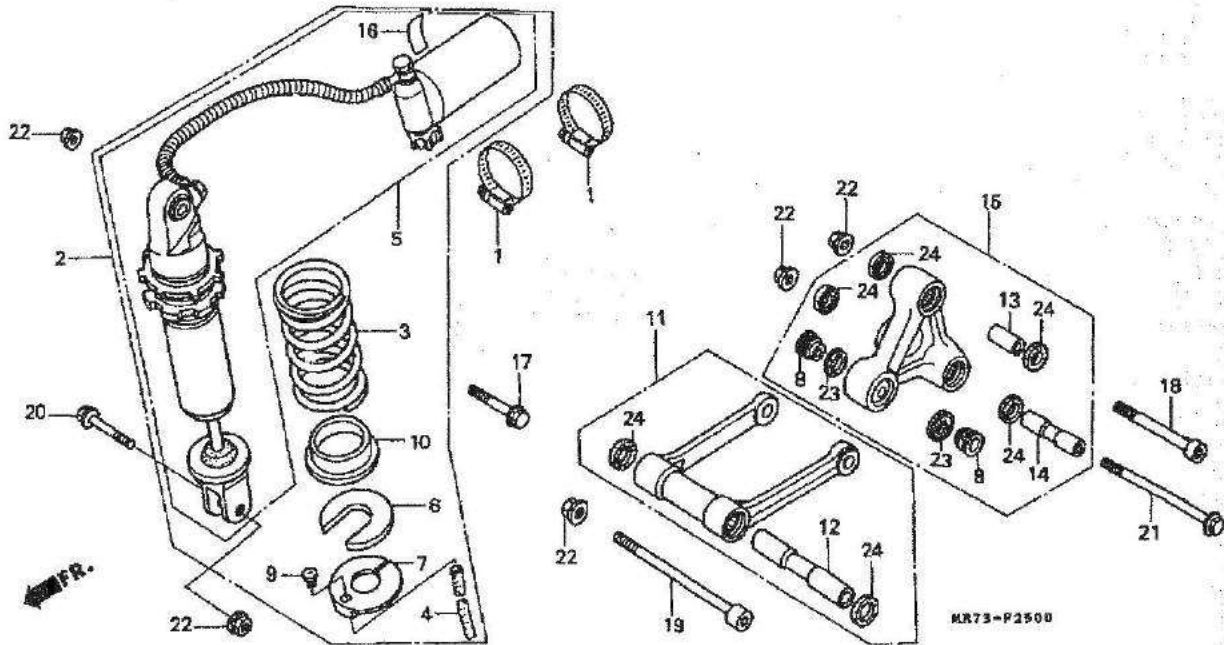
3

Service item	F.R.T.	Ref. No.	Part No.	Description	Reqd. No.			Serial No.	Area code
					VFR750R	K	L		
CUSHION ASSY., RR.	0.8	1	60262-GC4-000	BAND, SUB TANK	2	2	2		
SPRING, RR. CUSHION	1.0	2	52400-MR7-611	CUSHION ASSY., RR. (SHOWA)	1	-	-		AR,B,CM,E,ED,FI,G,H,IT,N
DAMPER COMP., RR.	1.1								NZ,SD,SP,SW,U
ROD ASSY., CUSHION CONNECTING	0.6		52400-MR7-612	CUSHION ASSY., RR. (SHOWA)	-	1	1		AR,B,CM,E,ED,G,IT,SD,SP
COLLAR, CONNECTING ROD PIVOT									SW,U
COLLAR, CUSHION ARM	0.6		52400-MR7-621	CUSHION ASSY., RR. (SHOWA)	1	1	-		F
ARM ASSY., CUSHION									
		3	62401-MR7-003	SPRING, RR. CUSHION	1	1	1		
		4	62405-KB7-003	PIPE, DRAIN	1	1	1		
		5	62410-MR7-003	DAMPER COMP., RR.	1	1	1		
		6	62424-MR7-003	STOPPER, SPRING SEAT	1	1	1		
		7	62451-MR7-003	PLATE, SEAT	1	1	1		
		8	62453-MR7-000	COLLAR, BUSH	2	2	2		
		9	62456-KB7-003	JOINT, PIPE	1	1	1		
		10	62459-MR7-003	SEAT C, SPRING (SHOWA)	1	1	1		

2-C 5

F-25

Rear cushion
Amortisseur arrière
Hinterer Stoßdämpfer
Amortiguador trasero



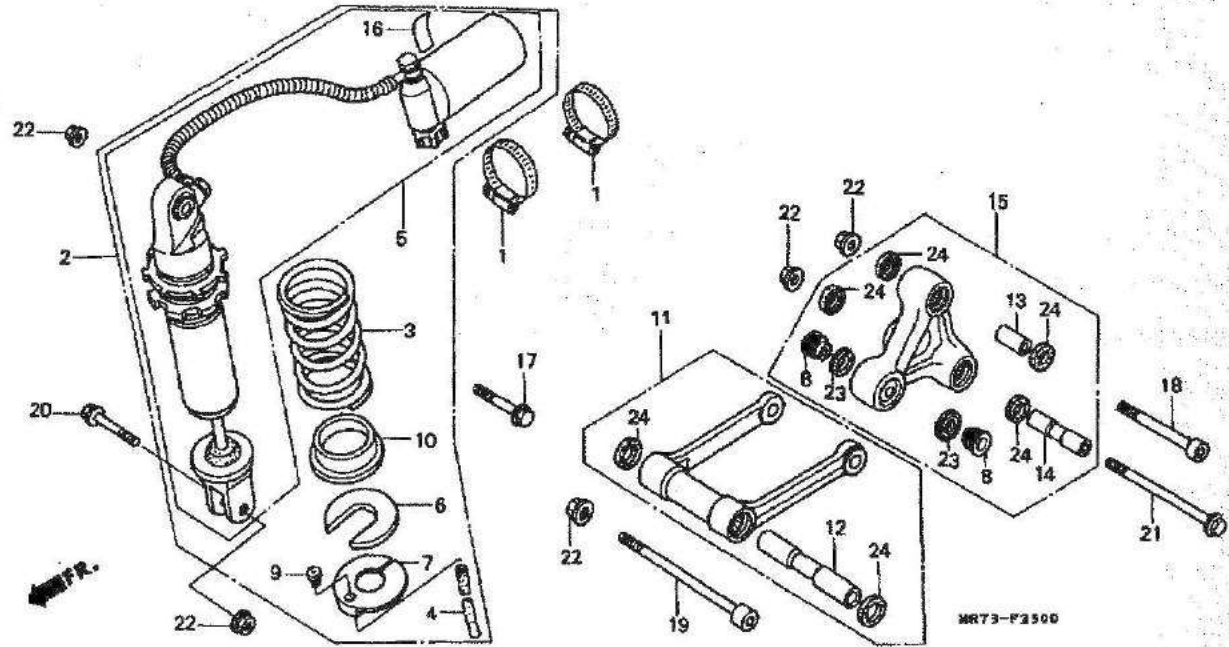
3

Service item	F.R.T.	Ref. No.	Part No.	Description	Reod. No.			Serial No.	Area code
					VFR750R	K	L		
		11	52460-MR7-000	ROD ASSY., CUSHION CONNECTING	1	1	1		
		12	52462-ML0-000	COLLAR, CONNECTING ROD PIVOT	1	1	1		
		13	52463-KV3-000	COLLAR, CUSHION ARM	1	1	1		
		14	52463-MR7-000	COLLAR, CUSHION ARM	1	1	1		
		15	52470-MR7-000	ARM ASSY., CUSHION	1	1	1		
		18	87516-HB5-871	LABEL, RR. DAMPER WARNING	1	-	-		AR,B,CM,E,ED,FI,G,H,I,N
			87516-KJ1-751	LABEL, RR. DAMPER WARNING	1	-	-		NZ,SD,SP,SW,U
					1	1	-		CM
									F

2-C 6

F-25

Rear cushion
 Amortisseur arrière
 Hinterer Stoßdämpfer
 Amortiguador trasero



3

Service item	F.R.T.	Ref. No.	Part No.	Description	Reqd. No. VFR760R	Serial No.	Area code
		16)	87516-MR7-721	LABEL, RR. DAMPER WARNING	1 1		AR, B, CM, E, ED, G, IT, SD, SP
			87516-MR7-740	LABEL, RR. DAMPER WARNING (FRENCH)	1		SW, U CM
		17	90103-MR7-003	BOLT, FLANGE, 10X45	1 1 1		
		18	90110-MR7-000	BOLT, SOCKET, 10X70	1 1 1		
		19	90111-MR7-000	BOLT, SOCKET, 10X130	1 1 1		
		20	90112-MR7-003	BOLT, FLANGE, 10X60	1 1 1		
		21	90115-MR7-003	BOLT, FLANGE, 10X113	1 1 1		
		22	90304-GE8-003	NUT, U, 10MM	5 6 6		
		23	91254-MB6-831	DUST SEAL	2 2 2		
		24	91262-MG7-005	OIL SEAL, 17X27X5	6 6 6		

2-C 7

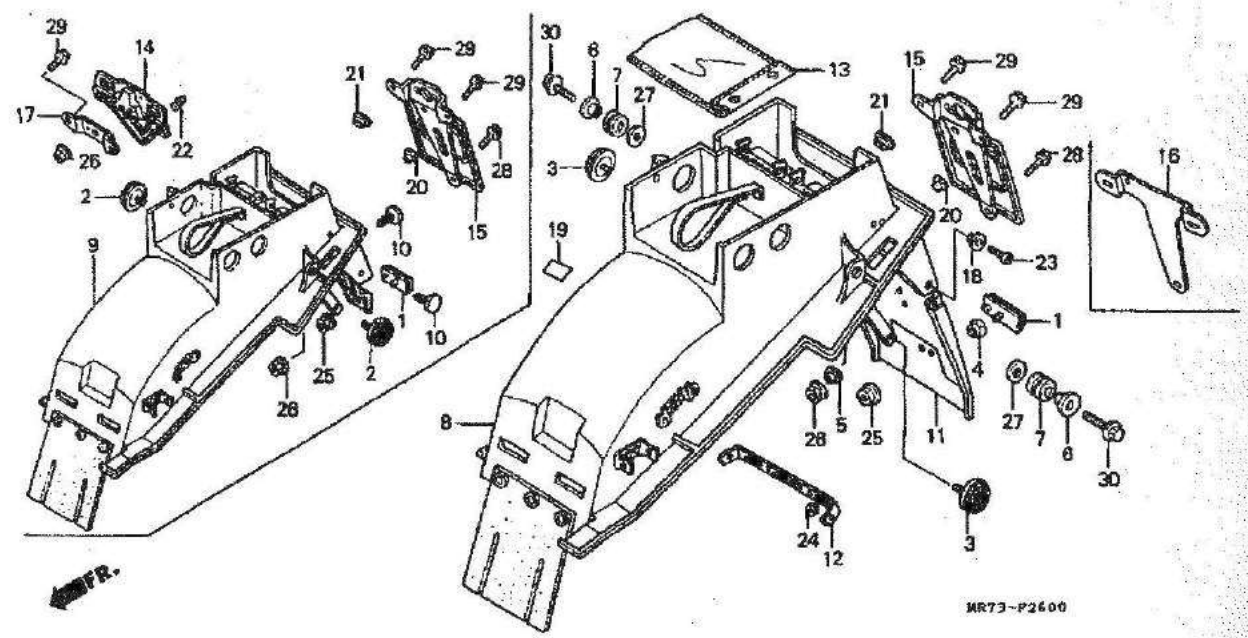
F-26

Rear fender
(VFR750RJ)

Garde-boue arrière
(VFR750RJ)

Hinterer Kotflügel
(VFR750RJ)

Parafango trasero
(VFR750RJ)



3

Service item	F.R.T.	Ref. No.	Part No.	Description	Reqd. No. VFR750RJ K L	Serial No.	Area code
FENDER COMP., RR.	0.7	1	33741-MC7-812	REFLECTOR, REFLEX	1	-----	AR,B,E,ED,F,FI,G,H,IT,N
BRACKET, NUMBER PLATE	0.2						NZ,SD,SP,SW,U
		2	33741-148-872	REFLECTOR, RR. REFLEX	2	-----	CM
		3	33741-413-013	REFLECTOR, FR. REFLEX			
				(STANLEY)	2	-----	AR
		4	61102-329-790	COLLAR, RIVETING	1	-----	AR,ED,FI,G,N,SD,SW,U
		5	61104-MC8-000	COLLAR, FR. ORNAMENT	1	-----	AR,ED,FI,G,N,SD,SW,U
		6	61104-422-000	COLLAR, SETTING	2	-----	
		7	64122-KV0-000	RUBBER, SIDE SHELTER (B)	2	-----	
		8	80105-MR7-610	FENDER COMP., RR.	1	-----	ED,FI,G,N,SD
			80105-MR7-680	FENDER COMP., RR.	1	-----	U
			80105-MR7-690	FENDER COMP., RR.	1	-----	SW
			80105-MR7-730	FENDER COMP., RR.	1	-----	AR
		9	80105-MR7-720	FENDER COMP., RR.	1	-----	CM
			80120-MR7-600	FENDER COMP., RR.	1	-----	B,E,F,H,IT,SP
			80120-MR7-860	FENDER COMP., RR.	1	-----	NZ
		10	80121-MR7-860	CLIP	4	-----	NZ

2-C 8

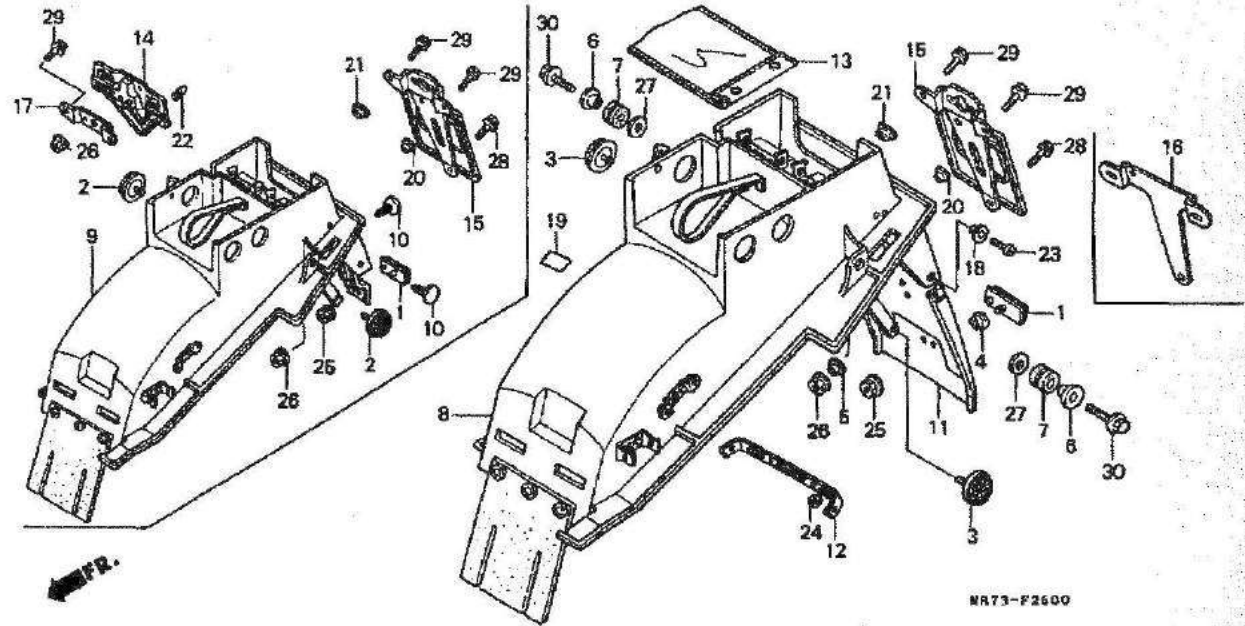
F-26

Rear fender
(VFR750RJ)

Garde-boue arrière
(VFR750RJ)

Hinterer Kotflügel
(VFR750RJ)

Parafango trasero
(VFR750RJ)



MR73-F2600

3

Service item	F.R.T.	Ref. No.	Part No.	Description	Reqd. No. VFR750R	Serial No.	Area code
		11	80130-MR7-690	MUDGUARD	1	-----	AR,ED,FI,G,N,SD,SW,U
		12	80131-MR7-690	STAY, MUDGUARD	1	-----	AR,ED,FI,G,N,SD,SW,U
		13	83642-MN5-000	BAG, OWNERS MANUAL	1	-----	
		14	84701-MK3-670	BRACKET, NUMBER PLATE	1	-----	CM
		15	84701-MR7-610	BRACKET, NUMBER PLATE	1	-----	AR,B,E,ED,F,FI,G,H,IT,N SD,SP,SW
		16	84701-MR7-680	BRACKET, NUMBER PLATE	1	-----	U
		17	84702-MR7-720	STAY, NUMBER BRACKET	1	-----	CM
		18	84706-KG0-000	COLLAR, NUMBER PLATE	4	-----	AR,ED,FI,G,N,SD,SW,U
		19	87566-MR7-630ZA	LABEL, COLOR * TYPE1 * (NH183H)	1	-----	
		20	90512-422-000	WASHER, CHAIN CASE SETTING	1	-----	
		21	90513-405-000	WASHER, 6X9	1	-----	
		22	90899-283-000	PLUG, CONE	1	-----	CM
		23	93500-06012-0G	SCREW, PAN, 6X12	4	-----	AR,ED,FI,G,N,SD,SW,U

2-C 9

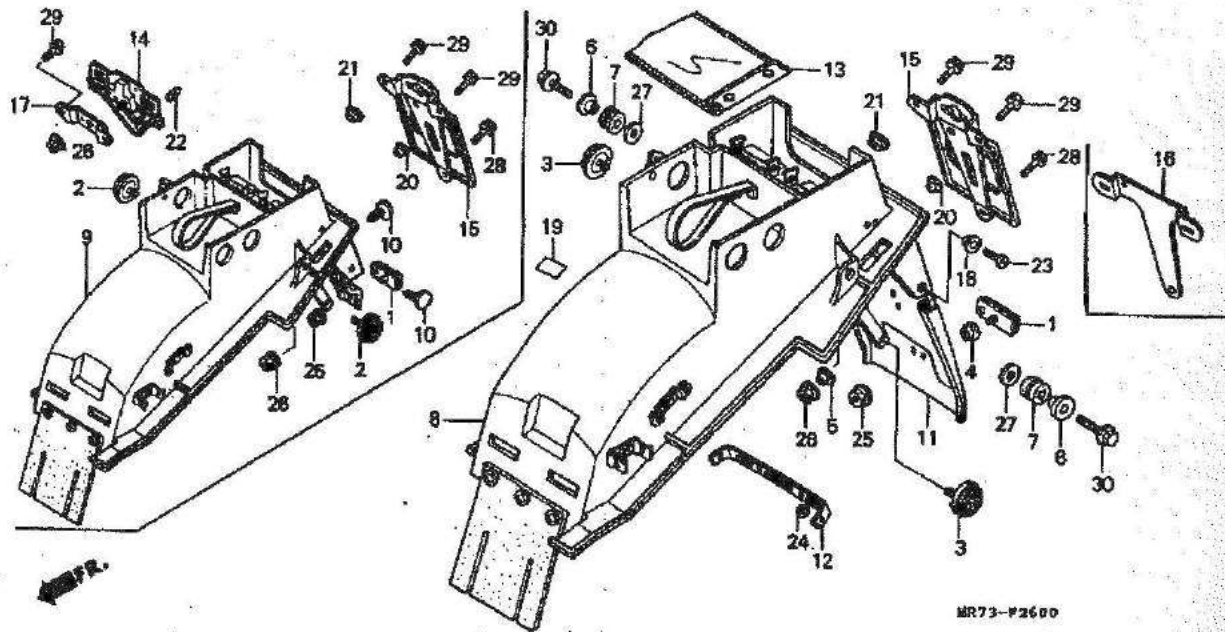
F-26

Rear fender
(VFR750RJ)

Garde-boue arrière
(VFR750RJ)

Hintere Kotflügel
(VFR750RJ)

Parafango trasero
(VFR750RJ)



MR73-P2600

3

Service item	F.R.T.	Ref. No.	Part No.	Description	Reqd. No. VFR750R	Serial No.	Area code
		24	94002-06070-0S	NUT, HEX., 6MM	4	---	AR,ED,FI,G,N,SD,SW,U
		25	94050-05080	NUT, FLANGE, 6MM	1	---	AR,B,E,ED,F,FI,G,H,IT,N NZ,SD,SP,SW,U
		26	94050-06000	NUT, FLANGE, 6MM	3	---	AR,B,E,ED,F,FI,G,H,IT,N SD,SP,SW,U
		27	94101-06000	WASHER, PLAIN, 6MM	4	---	CM
		28	96300-06012-07	BOLT, FLANGE, 6X12	2	---	AR,B,E,ED,F,FI,G,H,IT,N SD,SP,SW,U
		29	96300-06016-07	BOLT, FLANGE, 6X16	1	---	AR,B,E,ED,F,FI,G,H,IT,N SD,SP,SW,U
		29	96300-06016-07	BOLT, FLANGE, 6X16	2	---	AR,B,C,M,E,ED,F,FI,G,H,IT N,SD,SP,SW,U
		30	96300-06028-00	BOLT, FLANGE, 6X28	2	---	

2-C10

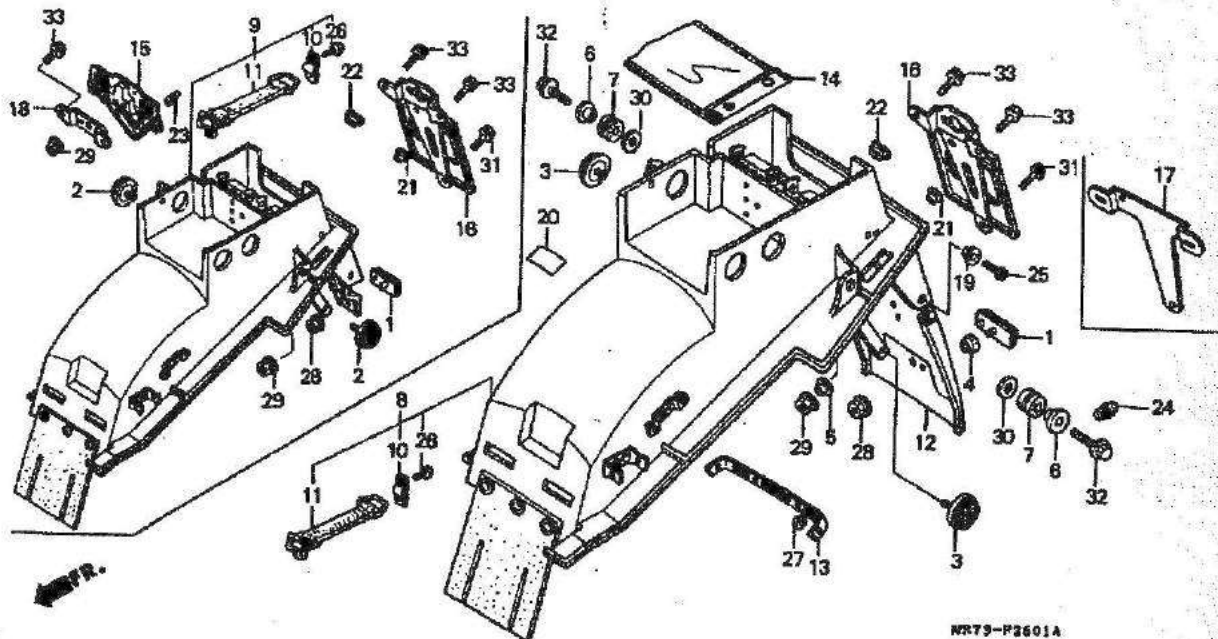
F-26-1

Rear fender
(VFR750RK • L)

Garde-boue arrière
(VFR750RK • L)

Hintere Kotflügel
(VFR750RK • L)

Parafango trasero
(VFR750RK • L)



NR75-P2601A

3

Service item	F.R.T.	Ref. No.	Part No.	Description	Reod. No. VFR750R	Serial No.	Area code
FENDER COMP., RR.	0.7	1	33741-MC7-612	REFLECTOR, REFLEX	1	1	AR,B,E,ED,F,G,IT,SD,SP,SW
BRACKET, NUMBER PLATE	0.2	2	33741-148-872	REFLECTOR, RR. REFLEX	2	-	U
		3	33741-413-013	REFLECTOR, FR. REFLEX	-	-	CM
		4	61102-329-790	COLLAR, RIVETING	2	-	AR
		5	61104-MC8-000	COLLAR, FR. ORNAMENT	1	-	AR,ED,G,SD,SW,U
		6	61104-422-000	COLLAR, SETTING	2	2	B,CM,E,F,IT,SP
		7	90601-GR2-000	COLLAR, 6.2X11	2	-	AR,ED,G,SD,SW,U
		8	64122-KV0-000	RUBBER, SIDE SHELTER (B)	2	2	AR,ED,G,SD,SW,U
			80105-MR7-611	FENDER COMP., RR.	1	-	ED,G,SD
			80106-MR7-681	FENDER COMP., RR.	1	-	U
			80108-MR7-691	FENDER COMP., RR.	1	-	SW
			80105-MR7-731	FENDER COMP., RR.	1	-	AR
			80105-MR7-721	FENDER COMP., RR.	1	-	CM
			80120-MR7-601	FENDER COMP., RR.	1	1	B,E,F,IT,SP
		10	80113-MR7-000	PLATE, TOOL BAND	1	1	

2-C11

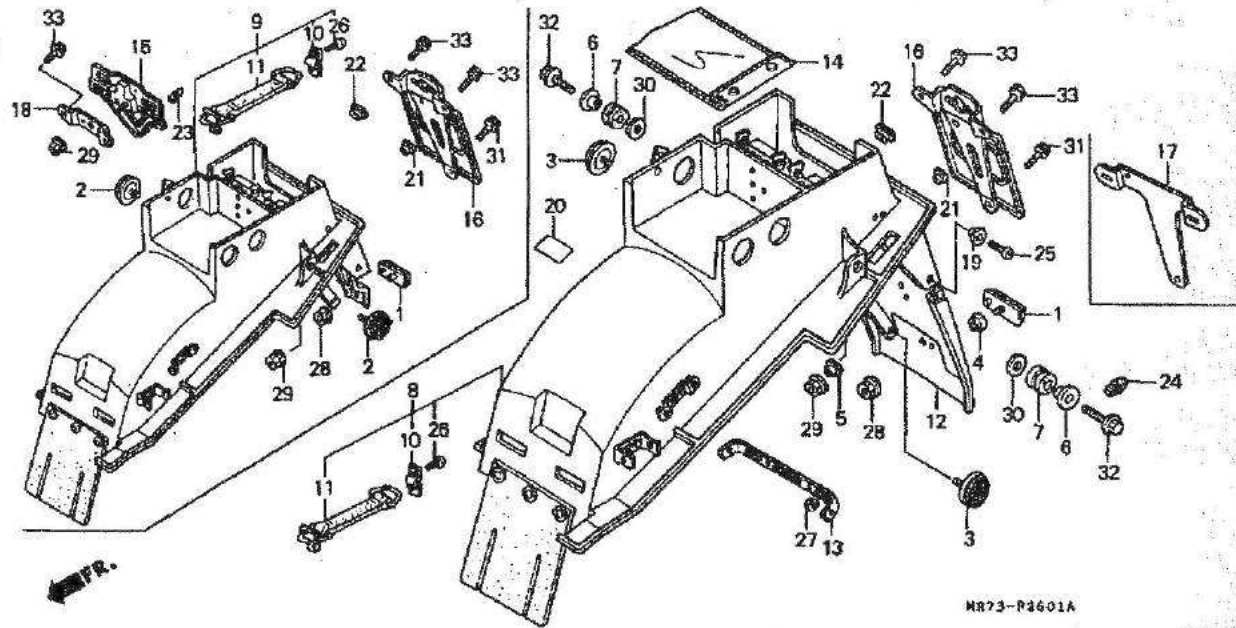
F-26-1

Rear fender
(VFR750RK • L)

Garde-boue arrière
(VFR750RK • L)

Hinterer Kotflügel
(VFR750RK • L)

Parafango trasero
(VFR750RK • L)



MR73-P4601A

3

Service item	F.R.T.	Ref. No.	Part No.	Description	Reqd. No. VFR750R	Serial No.	Area code
		11	80118-MR7-000	BAND, TOOL	- 1 1		
		12	80130-MR7-690	MUDGUARD	- 1 -		AR,ED,G,SD,SW,U
		13	80131-MR7-690	STAY, MUDGUARD	- 1 -		AR,ED,G,SD,SW,U
		14	83842-MN5-000	BAG, OWNERS MANUAL	- 1 1		
		15	84701-MK3-670	BRACKET, NUMBER PLATE	- 1 -		CM
		16	84701-MR7-610	BRACKET, NUMBER PLATE	- 1 1		AR,B,E,ED,F,G,IT,SD,SP,SW
		17	84701-MR7-680	BRACKET, NUMBER PLATE	- 1 -		U
		18	84702-MR7-720	STAY, NUMBER BRACKET	- 1 -		CM
		19	84706-KG0-000	COLLAR, NUMBER PLATE	- 4 -		AR,ED,G,SD,SW,U
		20	87565-MR7-630ZA	LABEL, COLOR *TYPE1* (NH193H)	1 1		AR,B,ED,F,F1,H,IT,N,NZ,SD SP,SW,U
		*	87565-MR7-930ZA	LABEL, COLOR *TYPE1* (NH193H)	- 1 -		CM,E,G

2-C12

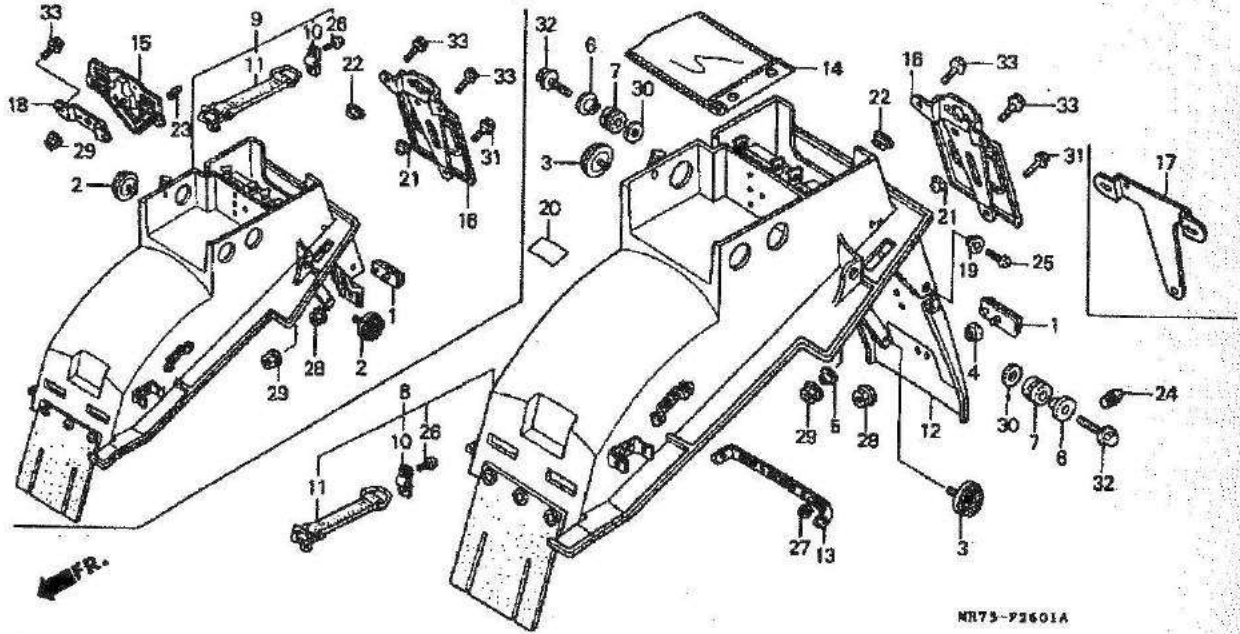
F-26-1

Rear fender
(VFR750RK • L)

Garde-boue arrière
(VFR750RK • L)

Hintere Kotflügel
(VFR750RK • L)

Parafango trasero
(VFR750RK • L)



NR75-72601A

3

Service item	F.R.T.	Ref. No.	Part No.	Description	Reqd. No. VFR750R	Serial No.	Area code
		21	90512-422-000	WASHER, CHAIN CASE SETTING	1 1		
		22	90513-405-000	WASHER, 6X9	1 1		
		23	90899-283-000	PLUG, CONE	1		CM
		24	90899-422-810	PLUG, CONE TYPE	1		AR,ED,G,SD,SW,U
		25	93500-06012-0G	SCREW, PAN, 6X12	4		AR,ED,G,SD,SW,U
		26	93894-04010-07	SCREW-WASHER, 4X10	2 2		
		27	94002-08070-0S	NUT, HEX., 6MM	4		AR,ED,G,SD,SW,U
		28	94050-05080	NUT, FLANGE, 6MM	1 1		AR,B,E,ED,F,G,IT,SD,SP,SW,U
		29	94050-06000	NUT, FLANGE, 6MM	3 4		AR,B,E,ED,F,G,IT,SD,SP,SW,U
		30	94103-08700	WASHER, PLAIN, 6MM	4 2		CM
		31	96300-06012-07	BOLT, FLANGE, 6X12	1 1		AR,B,E,ED,F,G,IT,SD,SP,SW,U

2-C13

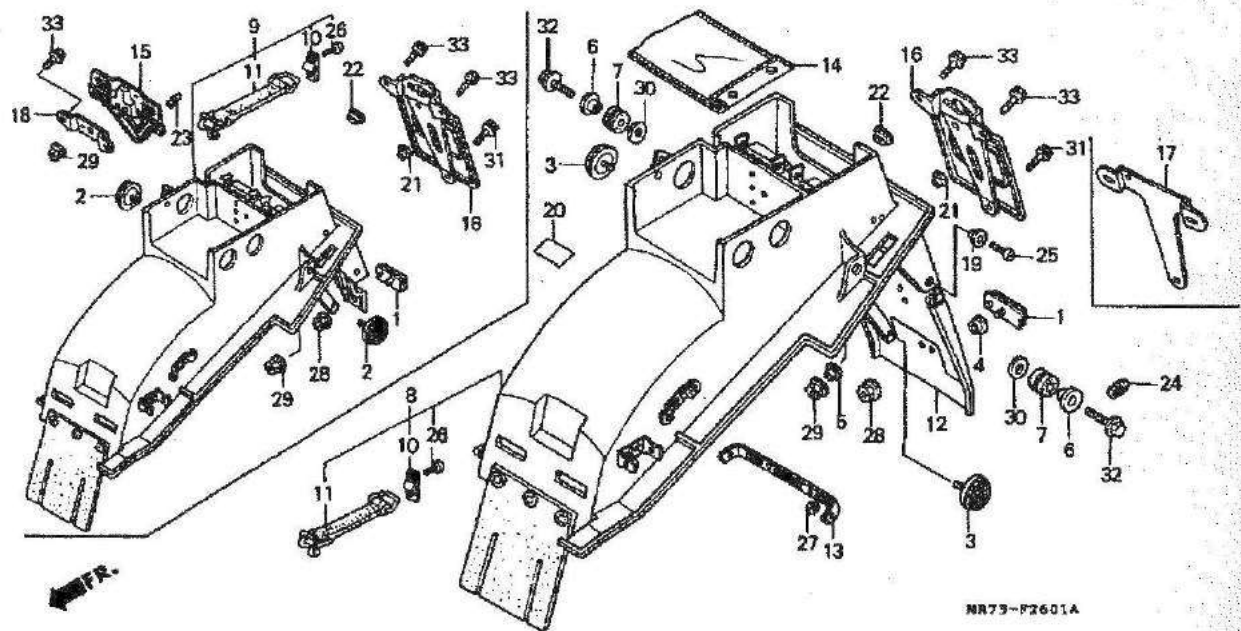
F-26-1

Rear fender
(VFR750RK • L)

Garde-boue arrière
(VFR750RK • L)

Hinterer Kotflügel
(VFR750RK • L)

Parafango trasero
(VFR750RK • L)



NR75-F2601A

3

Service item	F.R.T.	Ref. No.	Part No.	Description	Reqd. No.		Serial No.	Area code
					VFR750R	L		
		32	98300-06016-07	BOLT, FLANGE, 6X16	-	2 2		
		33	98300-06028-00	BOLT, FLANGE, 6X28	-	2 2		

2-C14

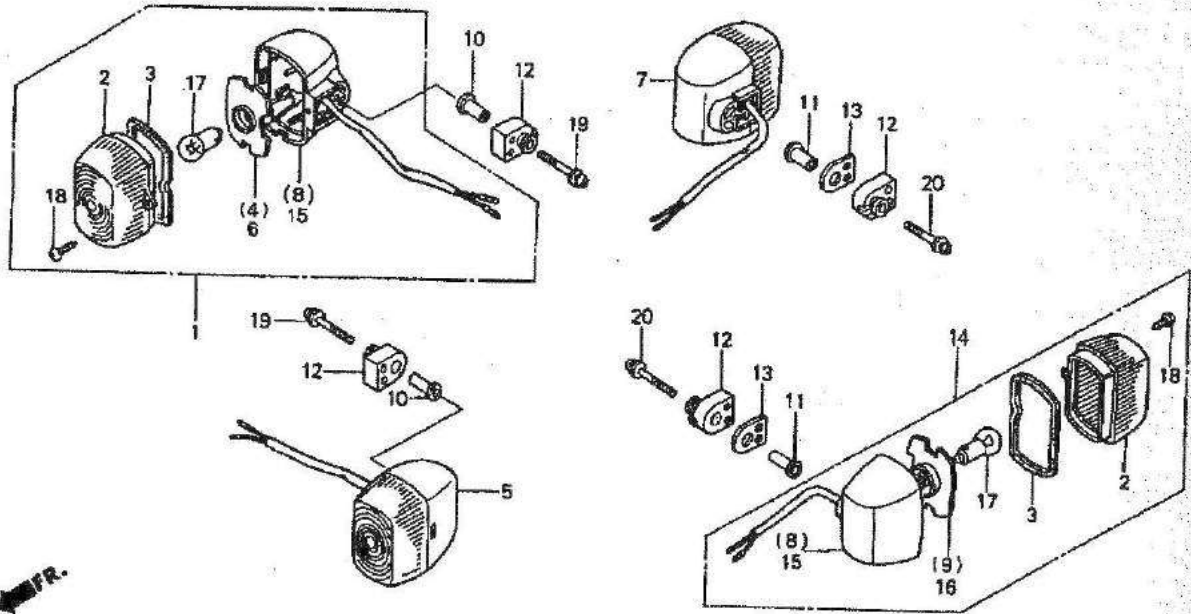
F-27

Winker
(VFR750RJ-NZ,U • RK-U)

Clignonant
(VFR750RJ-NZ,U • RK-U)

Blinker
(VFR750RJ-NZ,U • RK-U)

Luz intermitent
(VFR750RJ-NZ,U • RK-U)



MR73-F2700

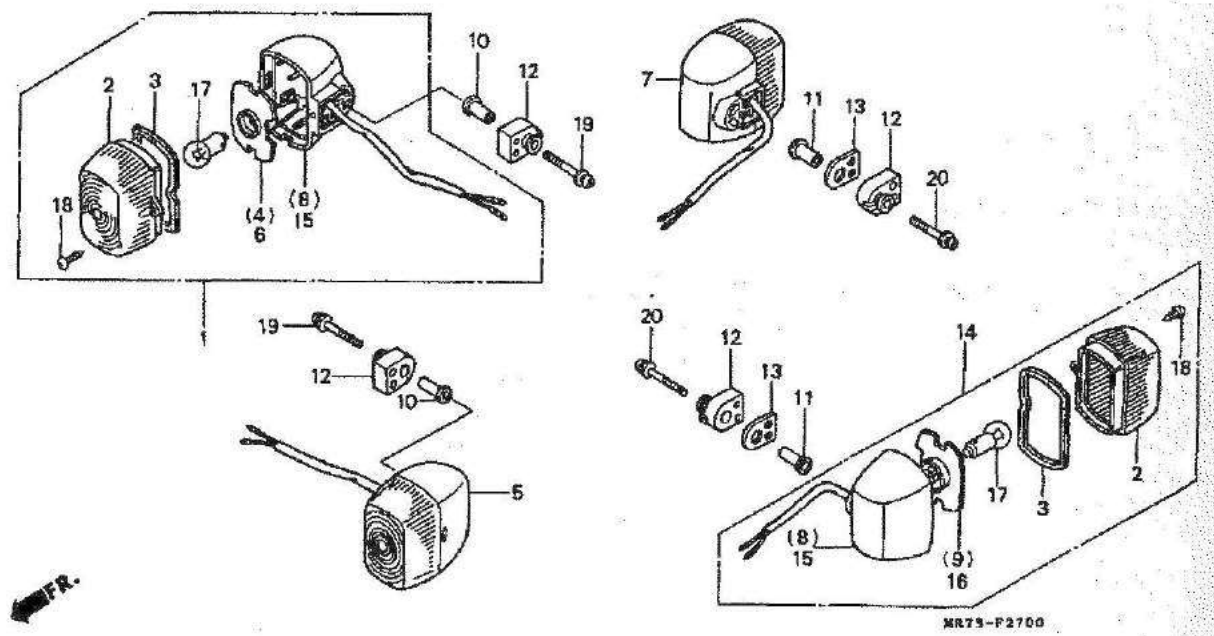
3

Service item	F.R.T.	Ref. No.	Part No.	Description	Reqd. No. VFR750R	Serial No.	Area code
WINKER ASSY., FR. (ADD 0.1 FOR EACH.) (INC. RELATIVE PART)	0.2	1	33400-MR7-680	WINKER ASSY., R. FR. (12V 15W)	1	1	NZ,U
		2	33402-GA7-003	LENS, WINKER	4	4	NZ,U
		3	33406-MR7-003	PACKING, LENS	4	4	NZ,U
WINKER ASSY., RR. (ADD 0.1 FOR EACH.) (INC. RELATIVE PART)		4	33410-MR7-003	SOCKET COMP., R. FR. WINKER	1	1	NZ,U
(EXC. RELATED PARTS BELOW)		5	33450-MR7-680	WINKER ASSY., L. FR. (12V 15W)	1	1	NZ,U
BULB, WINKER (ONE OR ALL)	0.1	6	33460-MR7-003	SOCKET COMP., L. FR. WINKER	1	1	NZ,U
		7	33600-MR7-003	WINKER ASSY., R. RR. (12V 15W)	1	1	NZ,U
		8	33601-MR7-003	BASE COMP., R. RR. WINKER	2	2	NZ,U
		9	33610-MR7-003	SOCKET COMP., R. RR. WINKER	1	1	NZ,U
		10	33611-MR7-000	COLLAR, WINKER	2	2	NZ,U

2-C15

F-27

- Winker
(VFR750RJ-NZ,U • RK-U)
- Clignotant
(VFR750RJ-NZ,U • RK-U)
- Blinker
(VFR750RJ-NZ,U • RK-U)
- Luz intermitent
(VFR750RJ-NZ,U • RK-U)



MR73-F2700

3

Service Item	F.R.T.	Ref. No.	Part No.	Description	Reqd. No.			Serial No.	Area code
					VFR750R	K	L		
		11	33611-MR7-680	COLLAR, WINKER	2	2	-	NZ,U
		12	33615-MR7-000	RUBBER, WINKER	4	4	-	NZ,U
		13	33616-MR7-680	SPACER, WINKER RUBBER	2	2	-	NZ,U
		14	33660-MR7-003	WINKER ASSY., L. RR. (12V 15W)	1	1	-	NZ,U
		15	33651-MR7-003	BASE COMP., L. RR. WINKER	2	2	-	NZ,U
		16	33660-MR7-003	SOCKET COMP., L. RR. WINKER	1	1	-	NZ,U
		17	34905-MR7-003	BULB, WINKER (12V 15W)	4	4	-	NZ,U
		18	90104-GT4-000	SCREW, TAPPING, 3X14	4	4	-	NZ,U
		19	93891-05035-07	SCREW-WASHER, 5X35	2	2	-	NZ,U
		20	93891-05045-07	SCREW-WASHER, 5X45	2	2	-	NZ,U

2-C16

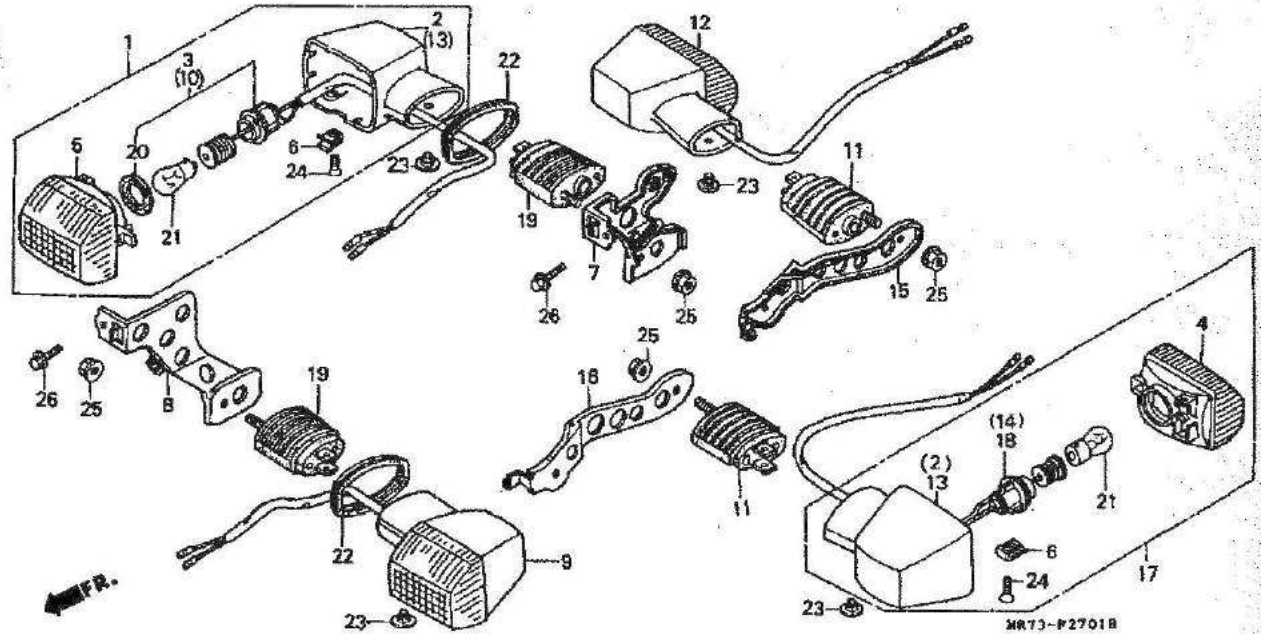
F-27-1

Winker (VFR750R-Except J-NZ,U • K-U)

Clignotant (VFR750R-Sauf J-NZ,U • K-U)

Hinterer Kotflügel (VFR750R-Ausgenommen J-NZ,U • K-U)

Luz intermitente (VFR750R-Salvo J-NZ,U • K-U)



3

Service item	F.R.T.	Ref. No.	Part No.	Description	Reqd. No. VFR750R	Serial No.	Area code
WINKER ASSY., FR. (ADD 0.1 FOR EACH.) (INC. RELATIVE PART)	0.2	1	33400-MR7-600	WINKER ASSY., R. FR. (12V 21W)	1 1 1	-----	AR,B,E,ED,F,FI,G,H,IT,N SD,SP,SW
WINKER ASSY., RR. (ADD 0.1 FOR EACH.) (INC. RELATIVE PART)	0.1	2	33401-MB6-003	BASE, R. WINKER (NH1)	2 2 2	-----	CM
(EXC. RELATED PARTS BELOW)		3	33405-MR7-800	SOCKET COMP., R. FR. WINKER	1 1 1	-----	AR,B,CM,E,ED,F,FI,G,H,IT N,SD,SP,SW
BULB (ONE OR ALL)		4	33408-MB2-601	LENS COMP., WINKER (RR.)	2 2 2	-----	AR,B,E,ED,F,FI,G,H,IT,N SD,SP,SW
			33406-MB2-671	LENS COMP., WINKER (RR.)	2 2 -	-----	CM

2-D 1

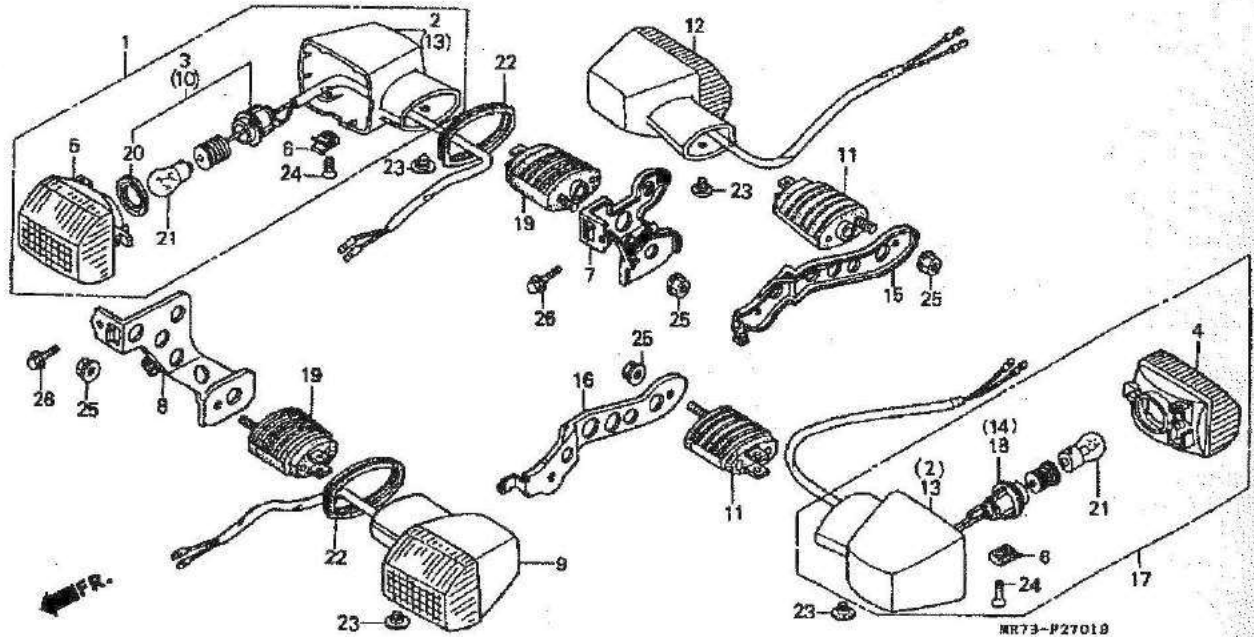
F-27-1

Winker (VFR750R-Except J-NZ,U • K-U)

Clignonant (VFR750R-Sauf J-NZ,U • K-U)

Hinterer Kotflügel (VFR750R-Ausgenommen J-NZ,U • K-U)

Luz intermitente (VFR750R-Salvo J-NZ,U • K-U)



3

Service item	F.R.T.	Ref. No.	Part No.	Description	Reqd. No. VFR750R	Serial No.	Area code
		5	33408-MB2-671	LENS COMP., WINKER (FR.)	2 2 2		AR,B,CM,E,ED,F,FI,G,H,IT N,SD,SP,SW
		6	33407-MB2-003	NUT, SPECIAL	4 4 4		AR,B,CM,E,ED,F,FI,G,H,IT N,SD,SP,SW
		7	33420-MR7-600	STAY, R. FR. WINKER	1 1 1		AR,B,CM,E,ED,F,FI,G,H,IT N,SD,SP,SW
		8	33430-MR7-600	STAY, L. FR. WINKER	1 1 1		AR,B,CM,E,ED,F,FI,G,H,IT N,SD,SP,SW
		9	33450-MR7-600	WINKER ASSY., L. FR. (12V 21W)	1 1 1		AR,B,E,ED,F,FI,G,H,IT,N SD,SP,SW
			33450-MR7-720	WINKER ASSY., L. FR. (12V 23W)	1 1 -		CM

2-D 2

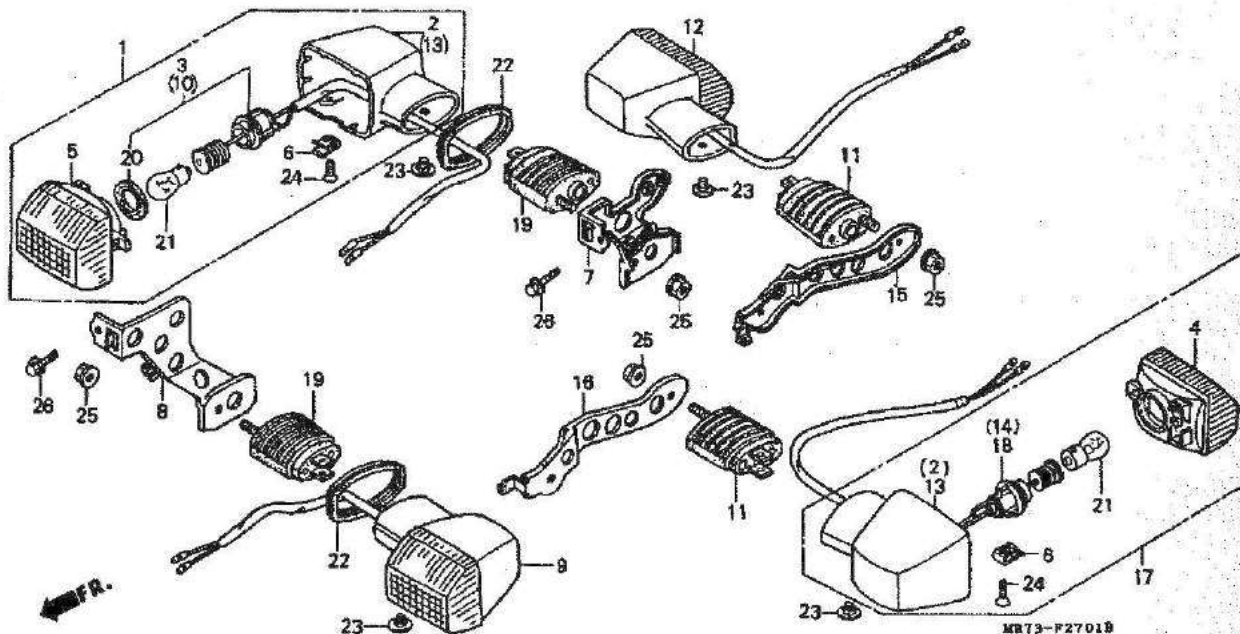
F-27-1

Winker (VFR750R-Except J-NZ,U • K-U)

Clignotant (VFR750R-Sauf J-NZ,U • K-U)

Hinterer Kotflügel (VFR750R-Ausgenommen J-NZ,U • K-U)

Luz intermitente (VFR750R-Salvo J-NZ,U • K-U)



3

Service item	F.R.T.	Ref. No.	Part No.	Description	Reqd. No. VFR750R	Serial No.	Area code
		10	33455-MR7-600	SOCKET COMP., L. FR. WINKER	1 1 1	-----	AR,B,CM,E,ED,F,FI,G,H,IT N,SD,SP,SW
		11	33491-MJ0-003	STAY, WINKER	2 2 2	-----	AR,B,CM,E,ED,F,FI,G,H,IT N,SD,SP,SW
		12	33800-MR7-600	WINKER ASSY., R. RR. (12V 21W)	1 1 1	-----	AR,B,E,ED,F,FI,G,H,IT,N SD,SP,SW
			33600-MR7-720	WINKER ASSY., R. RR. (12V 23W)	1 1 -	-----	CM
		13	33601-MB6-003	BASE, L. WINKER (NH1)	2 2 2	-----	AR,B,CM,E,ED,F,FI,G,H,IT N,SD,SP,SW
		14	33605-ML7-601	SOCKET COMP., R. RR. WINKER	1 1 1	-----	AR,B,CM,E,ED,F,FI,G,H,IT N,SD,SP,SW

2-D 3

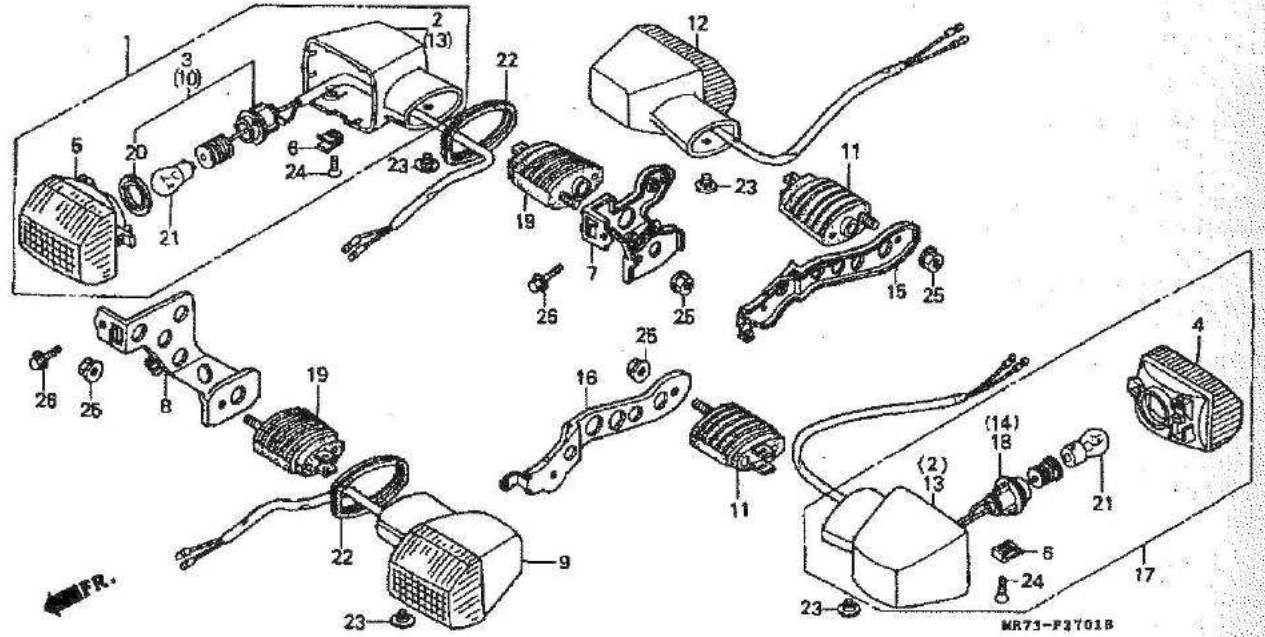
F-27-1

Winker (VFR750R-Except J-NZ,U • K-U)

Clignonant (VFR750R-Sauf J-NZ,U • K-U)

Hinterer Kotflügel (VFR750R-Ausgenommen J-NZ,U • K-U)

Luz intermitente (VFR750R-Salvo J-NZ,U • K-U)



3

Service item	F.R.T.	Ref. No.	Part No.	Description	Reqd. No. VFR750R	Serial No.	Area code
		15	33620-MR7-800	STAY, R. RR. WINKER	1 1 1	AR,B,CM,E,ED,F,FI,G,H,IT N,SD,SP,SW
		16	33630-MR7-600	STAY, L. RR. WINKER	1 1 1	AR,B,CM,E,ED,F,FI,G,H,IT N,SD,SP,SW
		17	33650-MR7-600	WINKER ASSY., L. RR. (12V 21W)	1 1 1	AR,B,E,ED,F,FI,G,H,IT,N SD,SP,SW
			33650-MR7-720	WINKER ASSY., L. RR. (12V 23W)	1 1 -	CM
		18	33665-ML7-671	SOCKET COMP., L. RR. WINKER	1 1 1	AR,B,CM,E,ED,F,FI,G,H,IT N,SD,SP,SW
		19	33691-MB2-003	STAY, WINKER	2 2 2	AR,B,CM,E,ED,F,FI,G,H,IT N,SD,SP,SW

2-D 4

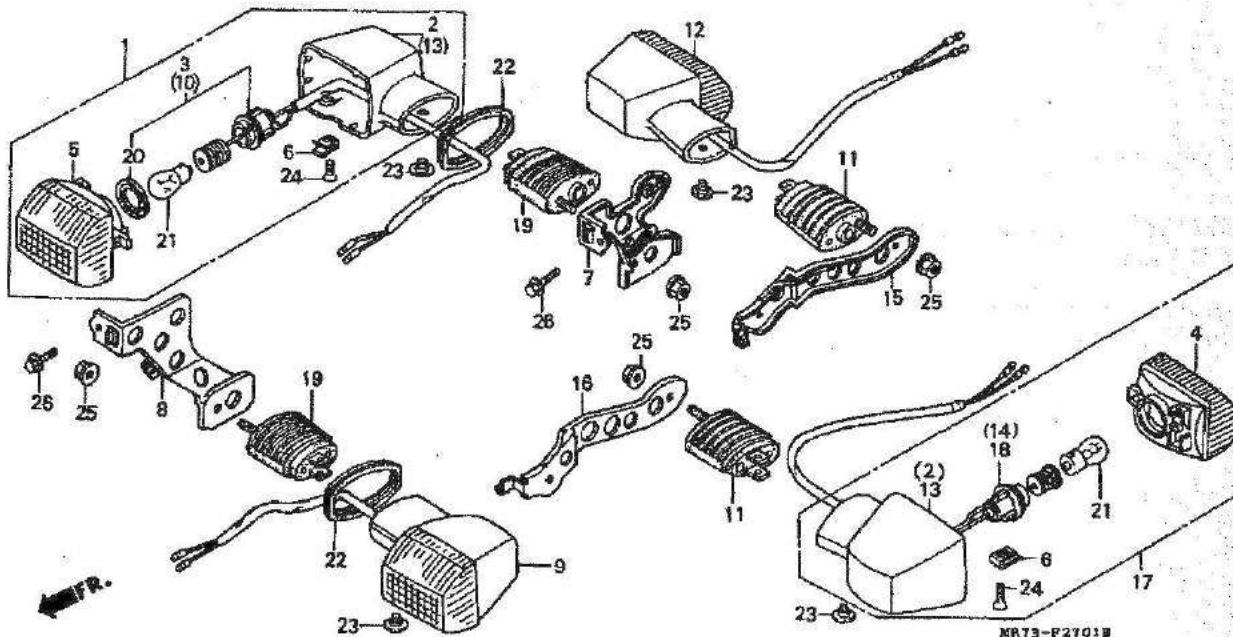
F-27-1

Winker (VFR750R-Except J-NZ,U • K-U)

Clignotant (VFR750R-Sauf J-NZ,U • K-U)

Hinterer Kotflügel (VFR750R-Ausgenommen J-NZ,U • K-U)

Luz intermitente (VFR750R-Salvo J-NZ,U • K-U)



3

Service item	F.R.T.	Ref. No.	Part No.	Description	Reqd. No. VFR750R	Serial No.	Area code
		20	33707-MJ0-003	SEAL, PACKING	2 2 2	-----	AR,B,CM,E,ED,F,FI,G,H,IT N,SD,SP,SW
		21	34908-634-611	BULB (12V 21W) (ECE) (STANLEY)	4 4 4	-----	AR,B,E,ED,F,FI,G,H,IT,N SD,SP,SW
			34905-268-671	BULB, WINKER (12V 23W)	4 4 -	-----	CM
		22	64136-ML7-600	RUBBER, FR. WINKER	2 2 2	-----	AR,B,CM,E,ED,F,FI,G,H,IT N,SD,SP,SW
		23	80360-MB2-000	SCREW, SPECIAL, 6X8	4 4 4	-----	AR,B,CM,E,ED,F,FI,G,H,IT N,SD,SP,SW
		24	93700-04012-1G	SCREW, OVAL, 4X12	4 4 4	-----	AR,B,CM,E,ED,F,FI,G,H,IT N,SD,SP,SW
		26	94050-06000	NUT, FLANGE, 6MM	4 4 4	-----	AR,B,CM,E,ED,F,FI,G,H,IT N,SD,SP,SW

2-D 5

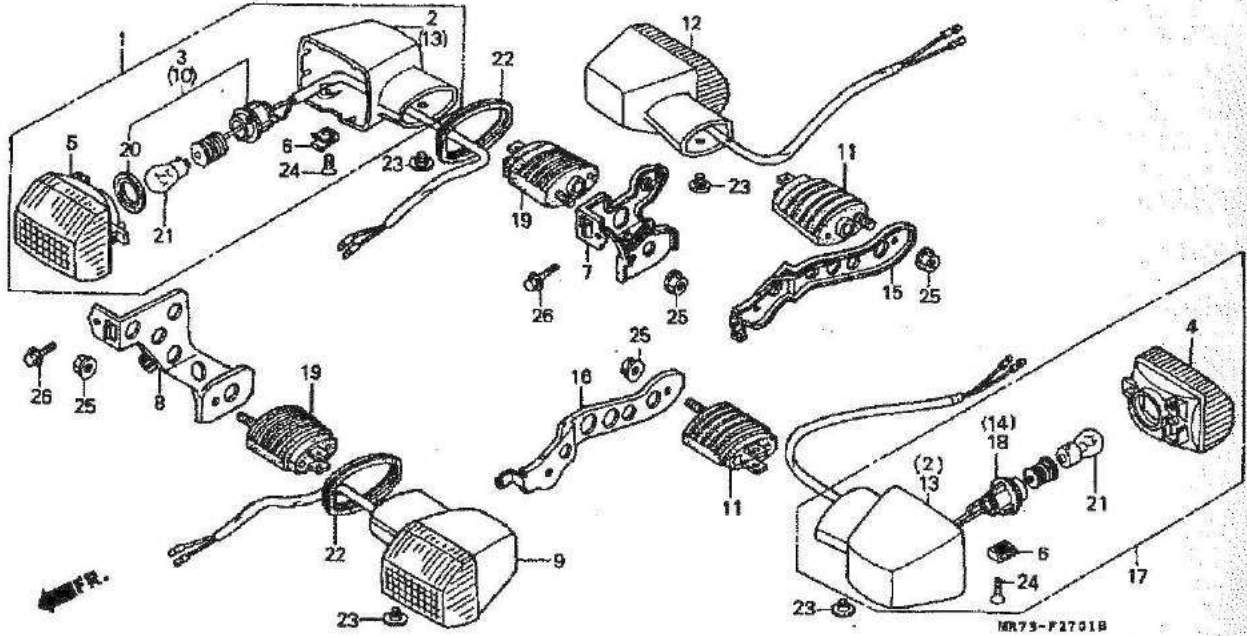
F-27-1

Winker (VFR750R-Except J-NZ,U • K-U)

Clignonant (VFR750R-Sauf J-NZ,U • K-U)

Hinterer Kotflügel (VFR750R-Ausgenommen J-NZ,U • K-U)

Luz intermitente (VFR750R-Salvo J-NZ,U • K-U)



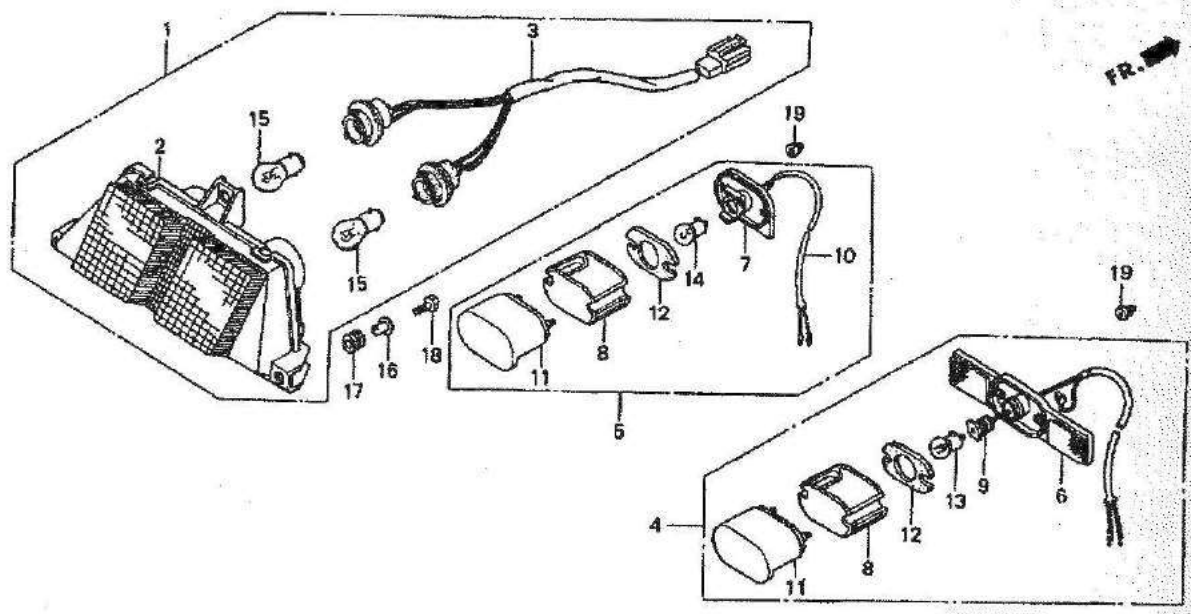
3

Service item	F.R.T.	Ref. No.	Part No.	Description	Reqd. No. VFR750R	Serial No.	Area code
		26	96300-06016-00	BOLT, FLANGE, 8X 16	2 2 2		AR,B,CM,E,ED,F,FI,G,H,IT N,SD,SP,SW

2-D 6

F-28

Teillight
 Feu arrière
 Rücklicht
 Luz trasera



MR73-F2800

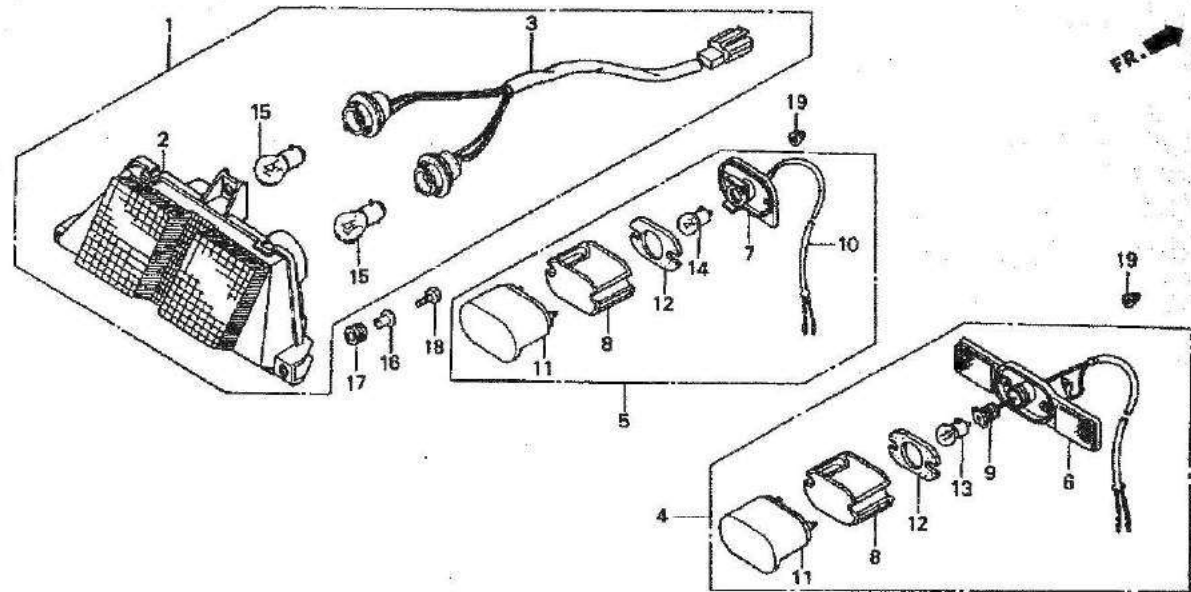
3

Service item	F.R.T.	Ref. No.	Part No.	Description	Read. No. VFR760R			Serial No.	Area code
					K	L			
TAILLIGHT UNIT	0.3	1	33701-MR7-003	TAILLIGHT UNIT (12V 18/5W)	1	1		NZ,U	
TAILLIGHT SUB ASSY.			33701-MR7-601	TAILLIGHT UNIT (12V 21/5W)	1	1	1	AR,B,E,ED,F,FI,G,H,IT,N	
SOCKET COMP., TAILLIGHT								SD,SP,SW	
LIGHT ASSY., LICENSE	0.2		33701-MR7-721	TAILLIGHT UNIT (12V 32/2CP)	1	1		CM	
BASE COMP.		2	33705-MR7-003	TAILLIGHT SUB ASSY.	1	1		NZ,U	
CORD COMP., LICENSE			33705-MR7-601	TAILLIGHT SUB ASSY.	1	1	1	AR,B,E,ED,F,FI,G,H,IT,N	
BULB	0.1							SD,SP,SW	
BULB, TAILLIGHT			33705-MR7-721	TAILLIGHT SUB ASSY.	1	1		CM	
(ONE OR ALL)		3	33710-MR7-003	SOCKET COMP., TAILLIGHT	1	1	1		
		4	33720-MN4-671	LIGHT ASSY., LICENSE (12V 4CP)	1	1		CM	
		6	33720-MR7-600	LIGHT ASSY., LICENSE	1	1	1	AR,B,E,ED,F,FI,G,H,IT,N	
								SD,SP,SW	

2-D 7

F-28

Teillicht
 Feu arrière
 Rücklicht
 Luz trasera



MR73-P2800

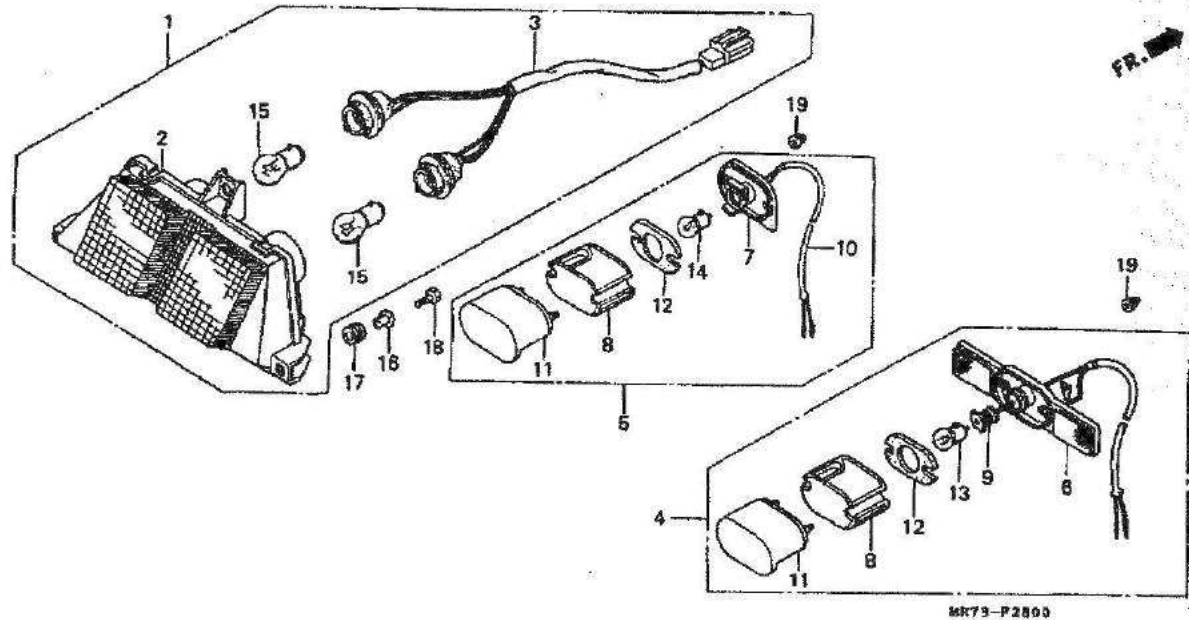
3

Service item	F.R.T.	Ref. No.	Part No.	Description	Reqd. No.			Serial No.	Area code
					VPR750R	K			
		6	33721-ME4-671	BASE COMP.	1	1	-	CM
		7	33721-MK5-611	BASE COMP.	1	1	1	AR,B,E,ED,F,FI,G,H,IT,N SD,SP,SW
		8	33722-MB1-013	LENS, LICENSE	1	1	1	AR,B,CM,E,ED,F,FI,G,H,IT N,SD,SP,SW
		9	33725-MN4-003	CORD COMP., LICENSE	1	1	-	CM
		10	33725-MR7-800	CORD COMP., LICENSE	1	1	1	AR,B,E,ED,F,FI,G,H,IT,N SD,SP,SW
		11	33727-ME4-671	COVER COMP., LICENSE LIGHT	1	1	1	AR,B,CM,E,ED,F,FI,G,H,IT N,SD,SP,SW
		12	33729-MB1-003	PACKING, LENS	1	1	1	AR,B,CM,E,ED,F,FI,G,H,IT N,SD,SP,SW
		13	34616-568-671	BULB, LICENSE LIGHT (12V 8W)	1	1	-	CM

2-D 8

F-28

Teillight
 Feu arrière
 Rücklicht
 Luz trasera



3

Service item	F.R.T.	Ref. No.	Part No.	Description	Reod. No.			Serial No.	Area code
					VFR260R	K	L		
		14	34904-634-611	BULB (12V 6W) (ECE)	1	1	1	AR,B,E,ED,F,FI,G,H,IT,N SD,SP,SW	
		15	34906-GB6-921	BULB, TAILLIGHT (12V 18/6W)	2	2	-	NZ,U	
			34906-MG9-771	BULB, STOP & TAILLIGHT (12V 27/7W)	2	2	-	CM	
			34906-447-711	BULB, TAILLIGHT (12V 21/6W)	2	2	2	AR,B,E,ED,F,FI,G,H,IT,N SD,SP,SW	
		16	37243-MM4-000	COLLAR, SPEEDOMETER MOUNTING	3	3	3		
		17	37244-MM4-000	RUBBER, SPEEDOMETER MOUNTING	3	3	3		
		18	92101-06022-0A	BOLT, HEX., 6X22	3	3	3		
		19	94021-04000-0S	NUT, CAP. 4MM	2	2	2	AR,B,CM,E,ED,F,FI,G,H,IT N,SD,SP,SW	

2-D 9

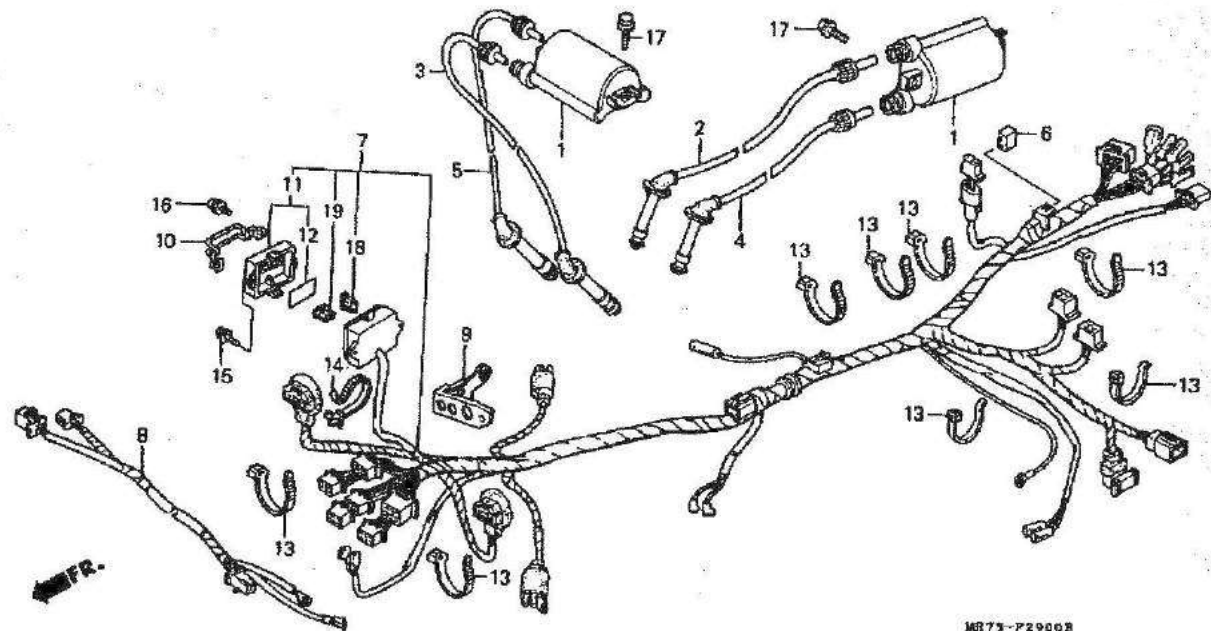
F-29

Wire harness •
Ignition coil

Faisceau électrique •
Bobine d'allumage

Kabelbaum • Zündspule

Equipo de alambre •
Bocina



MR73-P29008

3

Service Item	F.R.T.	Ref. No.	Part No.	Description	Reqd. No.			Serial No.	Area code
					VFR750R	K	L		
COIL COMP., IGNITION (ADD 0.3 FOR EACH.)	0.5	1	30510-MR7-003	COIL COMP., IGNITION	2	2	2		
RECTIFIER ASSY., SILICON	0.3	2	30751-MR7-000	CAP ASSY. 1, HIGH TENSION	1	1	1		
HARNESS, WIRE	1.8	3	30752-MR7-000	CAP ASSY. 2, HIGH TENSION	1	1	1		
		4	30763-MR7-000	CAP ASSY. 3, HIGH TENSION	1	1	1		
		5	30764-MR7-000	CAP ASSY. 4, HIGH TENSION	1	3	1		
		6	31700-124-008	RECTIFIER ASSY., SILICON (SHINDENGEN)	1	1	1		
		7	32100-MR7-000	HARNESS, WIRE	1	1	—		NZ,U
			32100-MR7-600	HARNESS, WIRE	1	1	1		E,ED,SP
			32100-MR7-610	HARNESS, WIRE	1	1	—		AR,B,FI,G,H,N,SD
			32100-MR7-620	HARNESS, WIRE	1	1	—		F
			32100-MR7-690	HARNESS, WIRE	1	1	—		SW
			32100-MR7-720	HARNESS, WIRE	1	1	—		CM
			32100-MR7-760	HARNESS, WIRE	1	1	—		IT
		8	32101-MR7-000	SUB HARNESS	1	1	1		
		9	38207-MR7-000	STAY, FUSE	1	1	—		NZ,U

2-D10

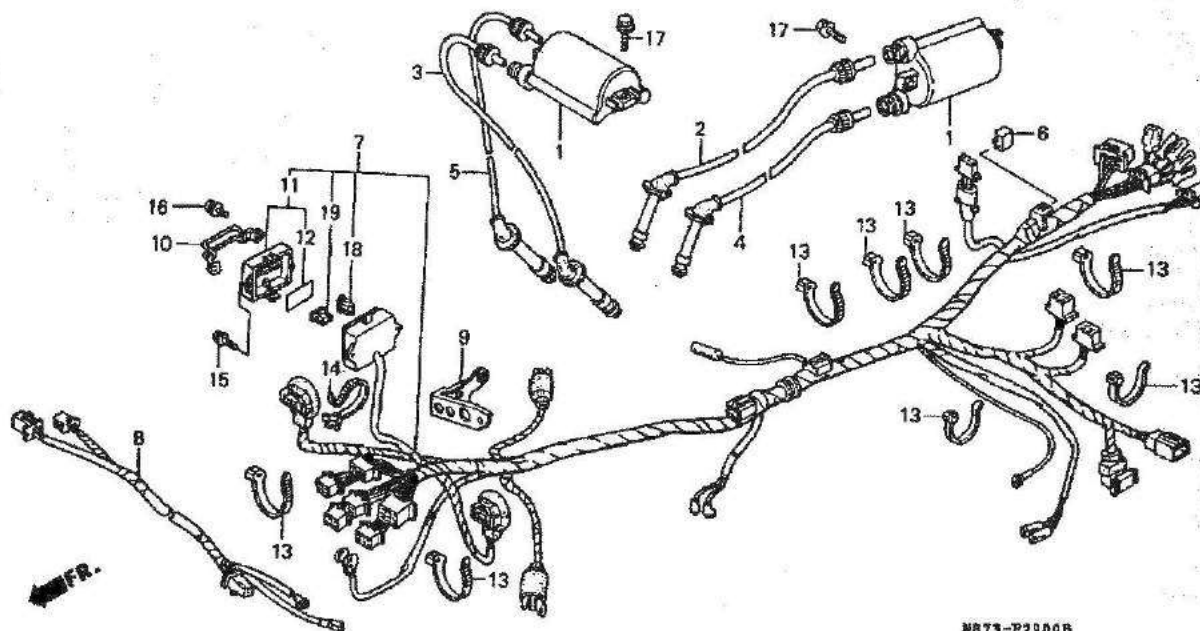
F-29

Wire harness •
Ignition coil

Faisceau électrique •
Bobine d'allumage

Kabelbaum • Zündspule

Equipo de alambre •
Bocina



MR73-P2000B

3

Service item	F.R.T.	Ref. No.	Part No.	Description	Reqd. No.			Serial No.	Area code
					V	K	R		
		10	38208-MR7-600	GUARD, FUSE	1	1	1		AR,B,CM,E,ED,F,FI,G,H,IT N,SD,SP,SW
		11	38210-MR7-005	COVER, FUSE BOX	1	1	1		AR,B,E,ED,FI,G,H,IT,N,NZ SD,SP,SW,U
			38210-MR7-621	COVER COMP., FUSE BOX	1	1	-		F
			38210-MR7-721	COVER COMP., FUSE BOX	1	1	-		CM
		12	38215-MR7-005	LABEL, FUSE	1	1	1		AR,B,E,ED,FI,G,H,IT,N,NZ SD,SP,SW,U
			38215-MR7-621	LABEL, FUSE (FRENCH)	1	1	-		F
			38215-MR7-720	LABEL, FUSE	1	-	-		CM
			38215-MR7-721	LABEL, FUSE	-	1	-		CM

2-D11

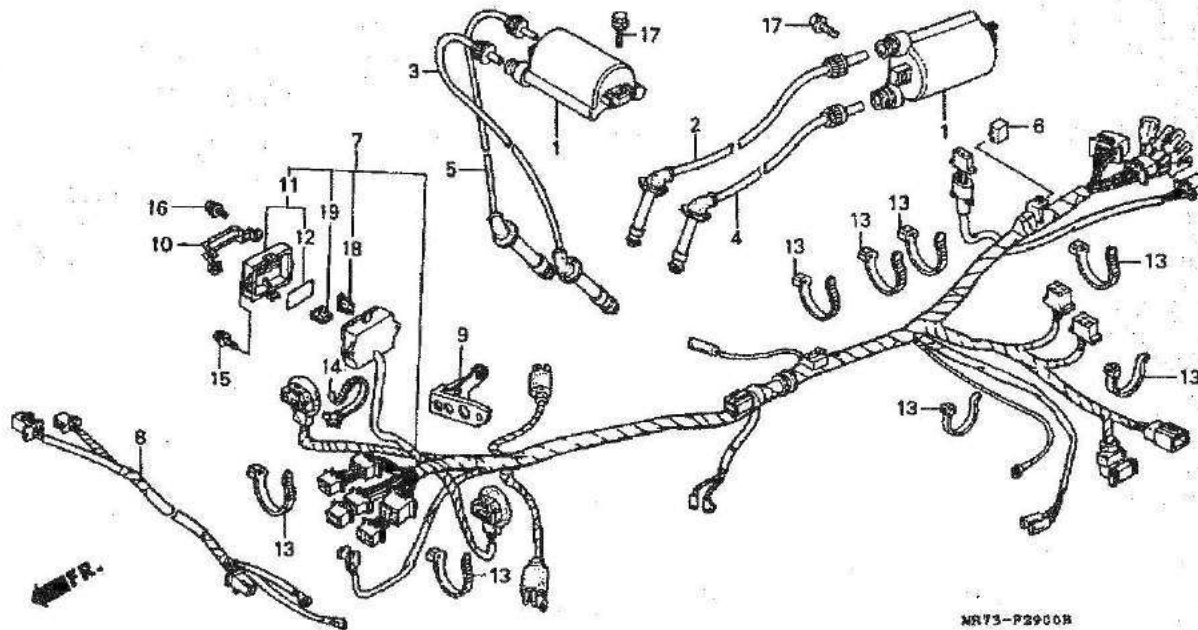
F-29

Wire harness •
Ignition coil

Faisceau électrique •
Bobine d'allumage

Kabelbaum • Zündspule

Equipo de alambre •
Bocina



NR73-P2900R

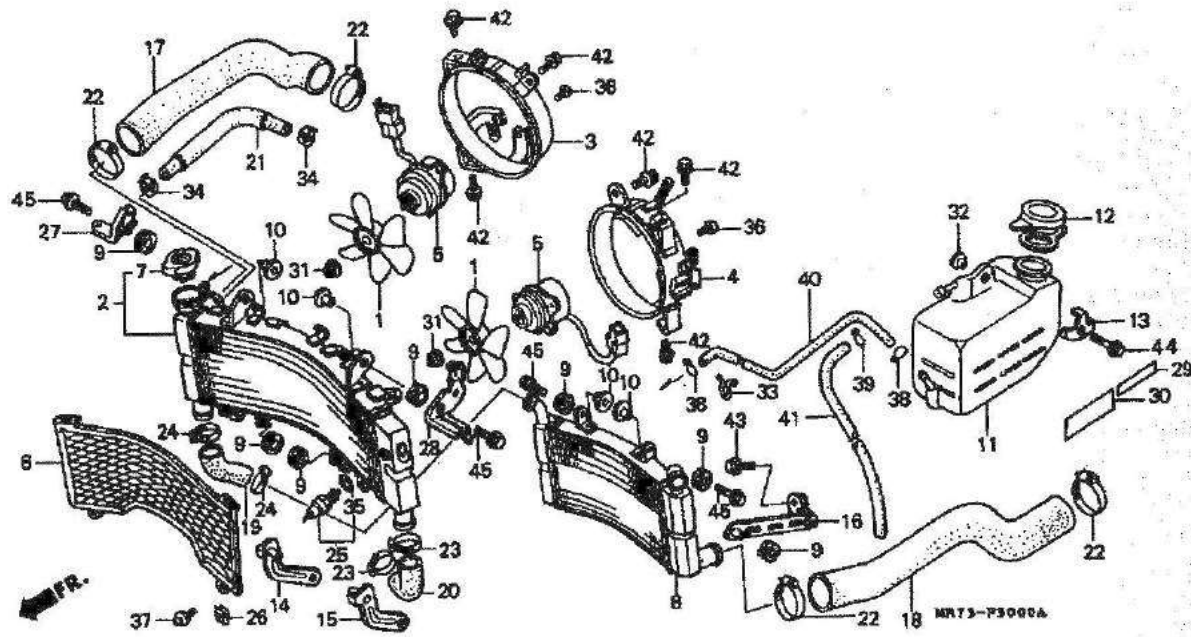
3

Service item	F.R.T.	Ref. No.	Part No.	Description	Req. No. VFR760R	Serial No.	Area code
		13	90650-MA6-720	BAND, WIRE HARNESS	10 10 10	-----	AR,B,E,ED,F,FI,G,H,IT,N NZ,SD,SP,SW,U
		14	90676-692-000	BAND, 100MM (BLACK).....	9 10 -	-----	CM
		15	93892-04012-07	SCREW-WASHER, 4X12	2 2 2	-----	
		16	93893-04008-07	SCREW-WASHER, 4X8	1 - -	-----	AR,B,CM,E,ED,F,FI,G,H,IT N,SD,SP,SW
			93892-04012-07	SCREW-WASHER, 4X12	- 1 1	-----	AR,B,CM,E,ED,F,G,IT,SD,SP SW
		17	96001-06025-00	BOLT, FLANGE, 6X25	4 4 4	-----	
		18	98200-31000	FUSE, BLADE (10A)	5 5 5	-----	
		19	98200-32000	FUSE, BLADE (20A)	2 2 2	-----	

2-D12

F-30

Radiator
 Radiateur
 Kühler
 Radiadore



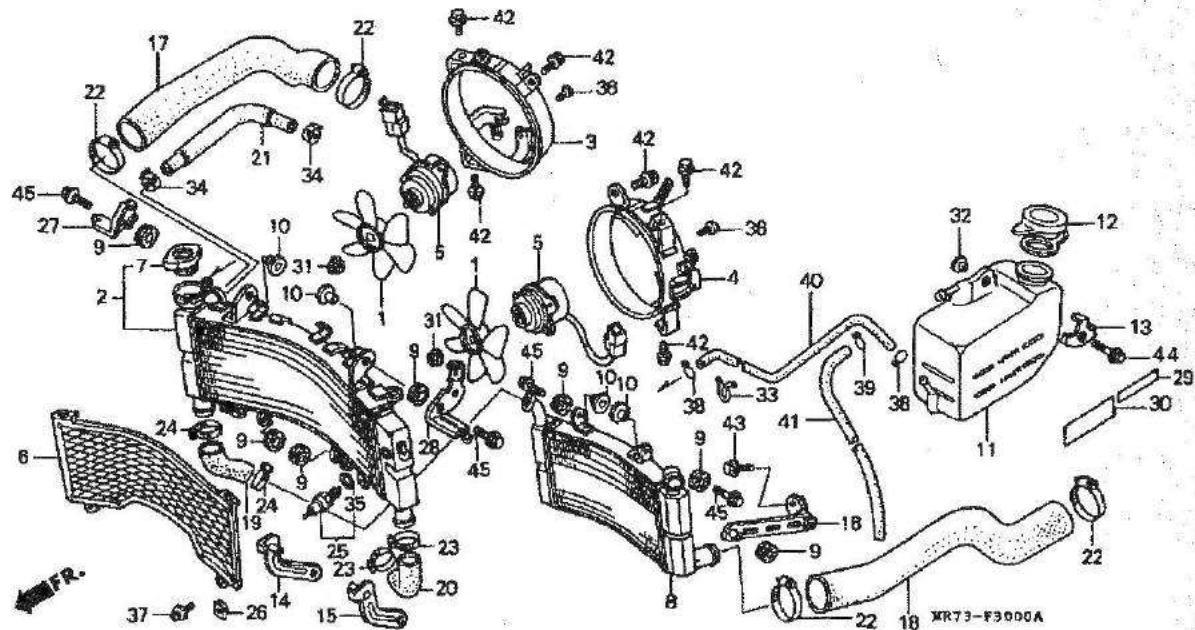
3

Service item	F.R.T.	Ref. No.	Part No.	Description	Reqd. No.			Serial No.	Area code
					VFH750R	K			
FAN COMP., COOLING	0.7	1	19009-KT7-000	FAN COMP., COOLING	2	2	2		
SHROUD COMP., (ADD 0.1 FOR EACH.)		2	19010-MR7-003	RADIATOR COMP. (TOYO)	1	1	1		
RADIATOR COMP.	1.0	3	19016-MR7-003	SHROUD COMP., R. (TOYO)	1	1	1		
MOTOR, COOLING FAN (ADD 0.2 FOR EACH.)	0.8	4	19021-MR7-003	SHROUD COMP., L. (TOYO)	1	1	1		
GRILLE, RADIATOR UPPER	0.2	5	19030-MR7-003	MOTOR, COOLING FAN (MITSUBA)	2	2	2		
RADIATOR COMP., LOWER	0.6	6	19032-MR7-000	GRILLE, RADIATOR UPPER	1	1	1		
HOSE, RADIATOR UPPER		7	19037-KA4-701	CAP COMP.	1	1	1		
THERMOSWITCH ASSY.		8	19050-MR7-003	RADIATOR COMP., LOWER	1	1	1		
TANK, RESERVE	0.3	9	19051-KA3-830	RUBBER, RADIATOR MOUNTING	7	7	7		
HOSE, RADIATOR LOWER	0.6	10	19052-KA3-830	COLLAR, RADIATOR MOUNTING	4	4	4		
HOSE, R. UPPER RADIATOR LOWER JOINT		11	19101-MLD-010	TANK, RESERVE	1	1	1		
HOSE, L. UPPER RADIATOR LOWER JOINT									

2-D13

F-30

Radiator
 Radiateur
 Kühler
 Radiadore



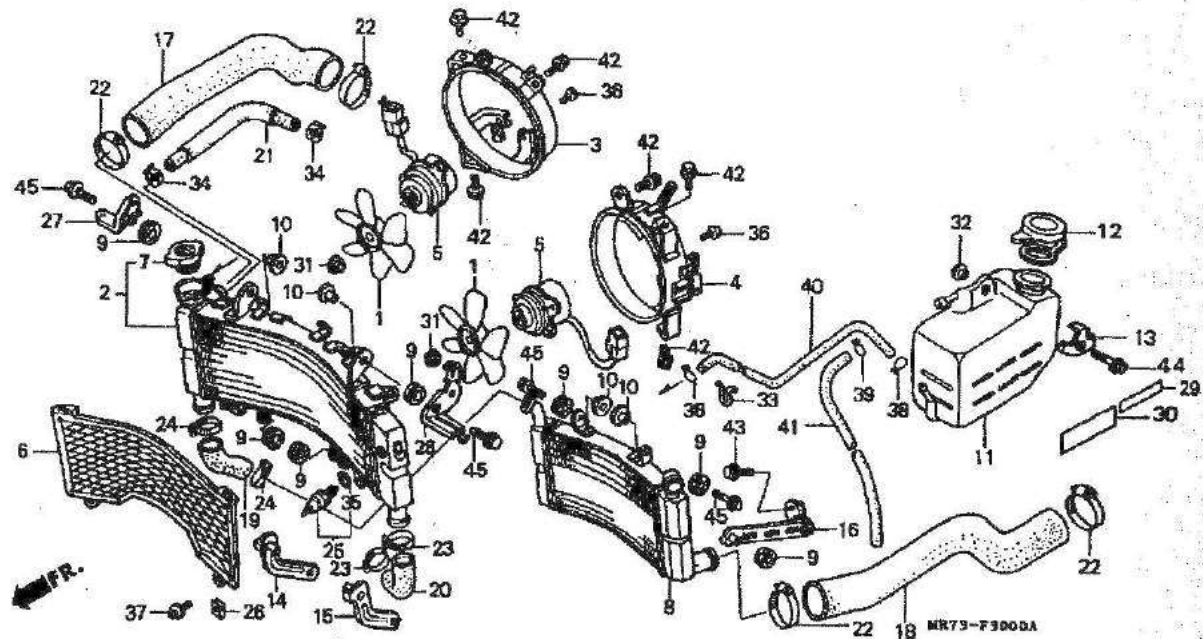
3

Service item	F. R. T.	Ref. No.	Part No.	Description	Reqd. No.			Serial No.	Area code
					V	K	L		
		12	19104-MB0-700	CAP, RESERVE TANK	1	1	1		
		13	19106-MR7-000	PLATE, RESERVE TANK SETTING	1	1	1		
		14	19130-MR7-000	STAY, R. RADIATOR UPPER	1	1	1		
		15	19131-MR7-000	STAY, L. RADIATOR UPPER	1	1	1		
		16	19137-MR7-000	STAY, UNDER RADIATOR	1	1	1		
		17	19500-MR7-000	HOSE, RADIATOR UPPER	1	1	1		
		18	19501-MR7-000	HOSE, RADIATOR LOWER	1	1	1		
		19	19502-MR7-000	HOSE, R. UPPER RADIATOR LOWER					
				JOINT	1	1	1		
		20	19503-MR7-000	HOSE, L. UPPER RADIATOR LOWER					
				JOINT	1	1	1		
		21	19504-MR7-000	TUBE, RADIATOR UPPER	1	1	1		

2-D14

F-30

Radiator
 Radiateur
 Kühler
 Radiadore



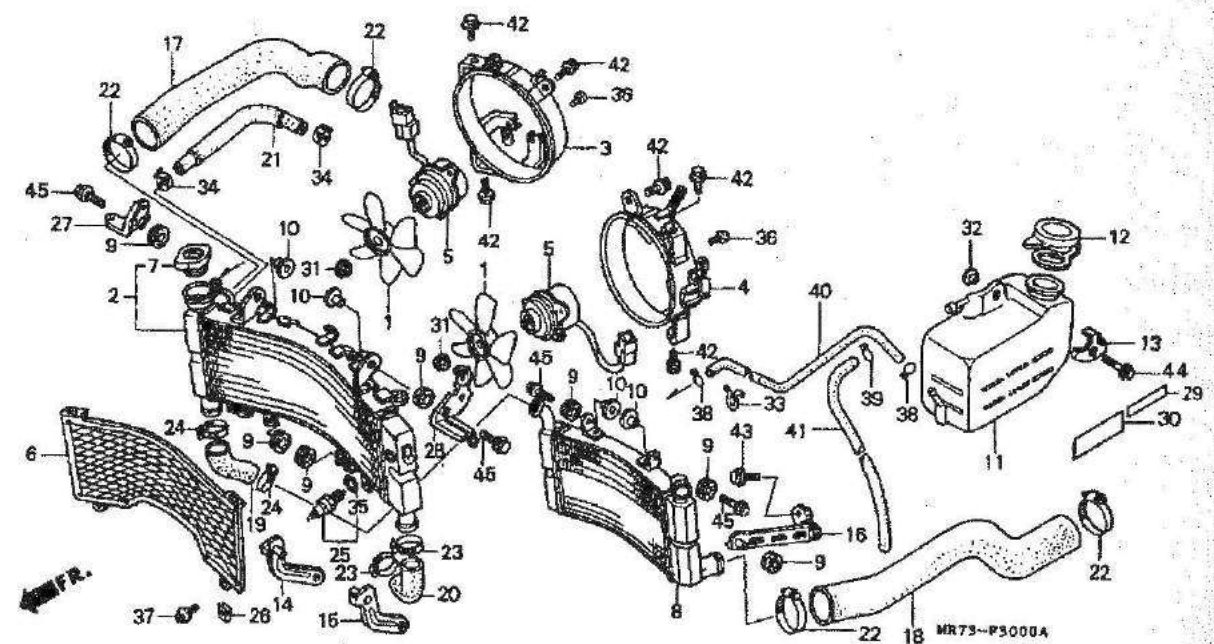
3

Service item	F.R.T.	Ref. No.	Part No.	Description	Reqd No.			Serial No.	Area code
					VFR750R	K			
		22	19516-MB6-000	CLAMP, WATER HOSE	4	4	4		
		23	19516-ML7-690	CLAMP A, WATER HOSE	2	2	2		
		24	19517-ML7-690	CLAMP B, WATER HOSE	2	2	2		
		25	37760-MR7-601	THERMOSWITCH ASSY.	1	1	1		
		26	64527-ML7-000	NUT, CLIP, 4MM	2	2	2		
		27	64591-MR7-000	STAY, R. INNER PANEL	1	1	1		
		28	64592-MR7-000	STAY, L. INNER PANEL	1	1	1		
		29	87507-MB4-670	LABEL, RESERVE TANK	1	1	1		AR,B,CM,E,ED,FI,G,H,IT,N NZ,SD,SP,SW,U
			87507-431-620	LABEL, RESERVE TANK (FRENCH)	1	1	-		CM,F
		30	87508-415-620	LABEL, RADIATOR CAUTION	1	1	-		CM,F
			87508-415-670	MARK, RADIATOR CAUTION (FRENCH)	1	1	-		AR,B,CM,E,ED,FI,G,H,IT,N NZ,SD,SP,SW,U

2-D15

F-30

Radiator
Radiateur
Kühler
Radiadore



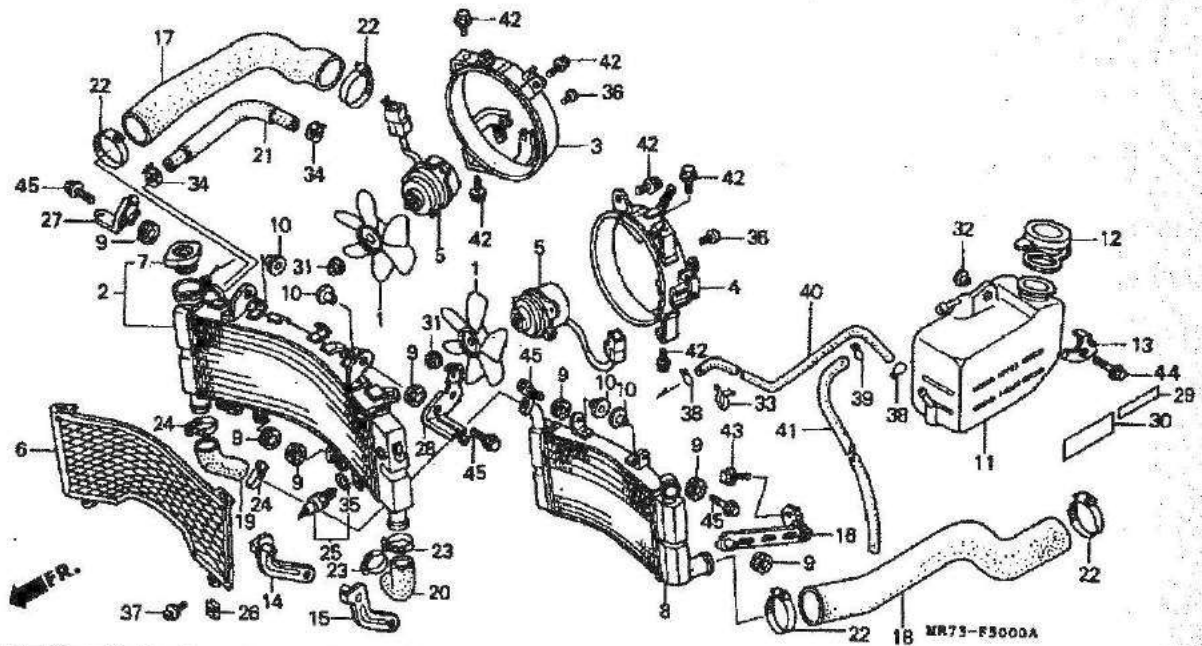
3

Service item	F.R.T.	Ref. No.	Part No.	Description	Reqd No. VFR750R	Serial No.	Area code
		30)	87508-MR7-720	LABEL, RADIATOR	1 1		AR,B,CM,E,ED,G,I,T,SD,SP SW,U
		31	90308-KM3-003	NUT, TOOTHED, 3MM	2 2 2		
		32	90522-028-000	WASHER, CHAIN CASE SETTING	1 1 1		
		33	90653-SA7-003	PURSE, LOCK, 11MM	1 1 1		
		34	90691-PA1-003	CLIP, SPECIAL, 10.5	2 2 2		
		35	91307-811-000	O-RING, 13.5X1.4	1 1 1		
		36	93891-04008-07	SCREW-WASHER, 4X8	6 6 6		
		37	93891-04012-00	SCREW-WASHER, 4X12	2 2 2		
		38	95002-02100	CLIP, TUBE (B10)	2 2 2		
		39	95002-70000	CLIP, TUBE (C11)	1 1 1		
		40	95005-55530-20	TUBE, 5.3X630	1 1 1		
				(95005-56001-20M)	1 1 1		

2-D16

F-30

Radiator
 Radiateur
 Kühler
 Radiadore



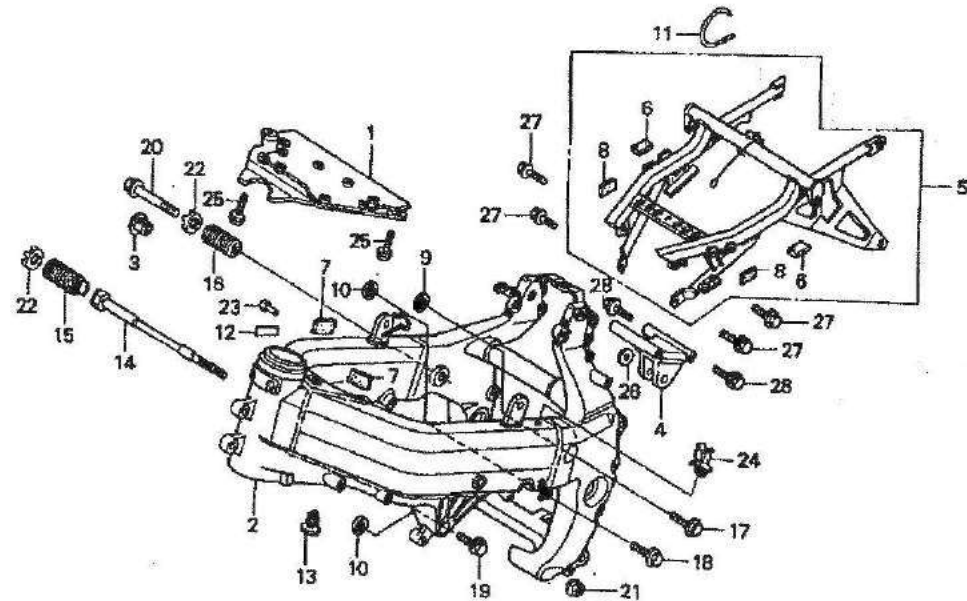
3

Service item	F.R.T.	Ref. No.	Part No.	Description	Reqd. No.	Serial No.	Area code
					VFR750R J K L		
		41	95005-70200-30	TUBE, 7X200			
		*	95005-70300-30	TUBE, 7X300	(95005-70001-30M)	1 1	--
		42	96001-06010-00	BOLT, FLANGE, 6X10	(96005-70001-30M)	--	1
		43	96001-06010-07	BOLT, FLANGE, 6X10		6 6	6
		44	96001-06016-07	BOLT, FLANGE, 6X16		1 1	1
		45	96001-06025-00	BOLT, FLANGE, 6X25		1 1	1
						4 4	4

2-E 1

F-31

Frame body
 Cadre
 Rahmen
 Cuerpo de cuadro



MR73-F3109B

3

Service item	F.R.T.	Ref. No.	Part No.	Description	Reqd. No. VFR750R	Serial No.	Area code
BODY COMP., FRAME	*11.9	1	19125-MR7-600	GUARD, CARBURETOR HEAT	1 1 1		
RAIL COMP., SEAT	1.0	2	50100-MR7-000	BODY COMP., FRAME	1 - -	2001279	AR,B,E,ED,F,FI,G,H,IT,N NZ,SD,SP,SW CM,U
			50100-MR7-680	BODY COMP., FRAME	1 - -		
			50100-MR7-600	BODY COMP., FRAME	1 - -	2001280	AR,B,E,ED,F,FI,G,H,IT,N NZ,SD,SP,SW CM,U
			50100-MR7-681	BODY COMP., FRAME	- 1 -		
			50100-MR7-601	BODY COMP., FRAME	- 1 1		
		* 3	50103-MR7-630	CAP, 10MM	- 1 1		AR,B,E,ED,F,G,IT,SD,SP,SW
		4	50231-MR7-000	BRACKET, RR. CUSHION	1 1 1		
		5	50240-MR7-000	RAIL COMP., SEAT	1 - -	20020500	AR,B,E,ED,F,FI,G,H,IT,N NZ,SD,SP,SW,U CM
			50240-MR7-010	RAIL COMP., SEAT	1 - -	20020501	AR,B,E,ED,F,FI,G,H,IT,N NZ,SD,SP,SW,U
		* 50240-MR7-020	RAIL COMP., SEAT		- 1 -		
		* 50240-MR7-030	RAIL COMP., SEAT		- - 1		

2-E 2

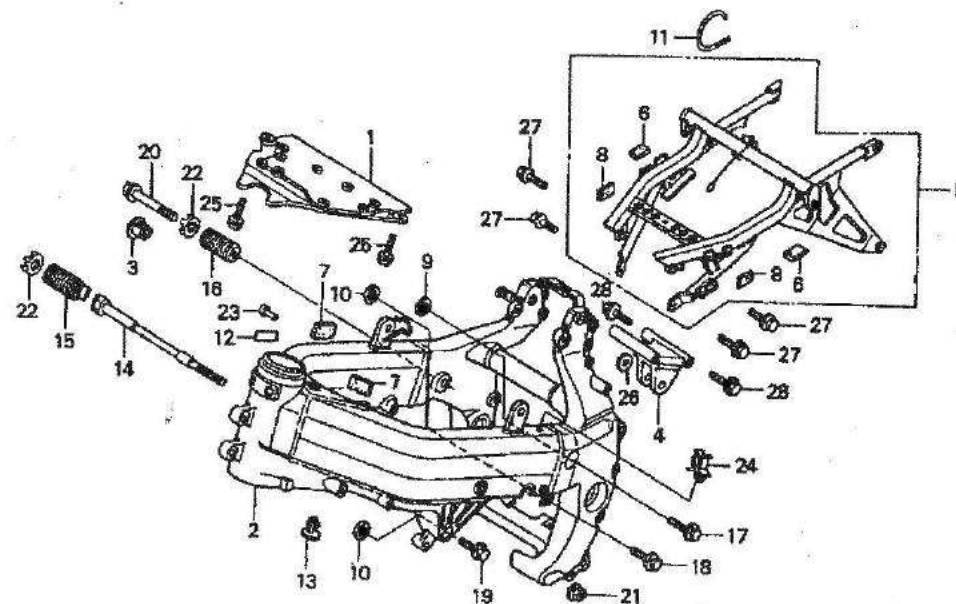
F-31

Frame body

Cadra

Rahmen

Cuerpo de cuadro



MR73-751605

3

Service item	F.R.T.	Ref. No.	Part No.	Description	Reqd. No.			Serial No.	Area code
					VFR750R	K	L		
		6	50280-MR7-300	RUBBER A, SEAT COWL CUSHION	2	2	2		
		7	50281-MR7-300	RUBBER B, SEAT COWL CUSHION	2	2	2		
		8	50283-MR7-300	RUBBER, SEAT RAIL	-	2	2		
		9	50370-MR7-000	COLLAR, ENGINE HANGER	1	1	1		
		10	50372-ML7-700	COLLAR, MAIN PIPE ENGINE HANGER	4	4	4		
		11	77241-MR7-000	TUBE, HELMET WIRE (6X8X170)	1	1	1		
		12	87501-MR7-610	PLATE, REGISTERED NUMBER	1	1	1		AR,B,E,ED,F,FLG,H,IT,N
			87501-MR7-710	PLATE, REGISTERED NUMBER	1	-	-		SD,SW
			87501-MR7-910	PLATE, REGISTERED NUMBER	-	1	-		SP

2-E 3

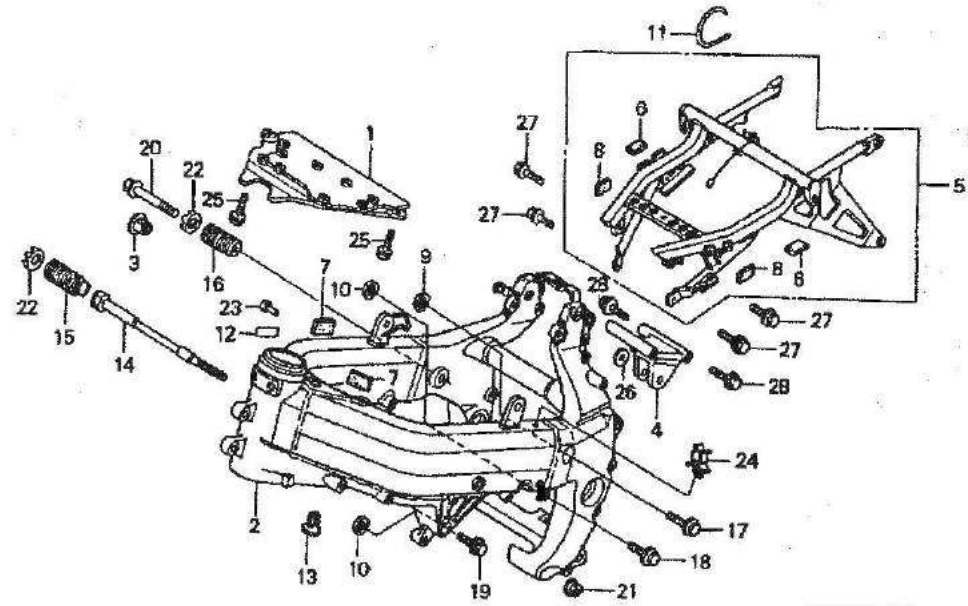
F-31

Frame body

Cadre

Rahmen

Cuerpo de cuadro



KR73-P31009

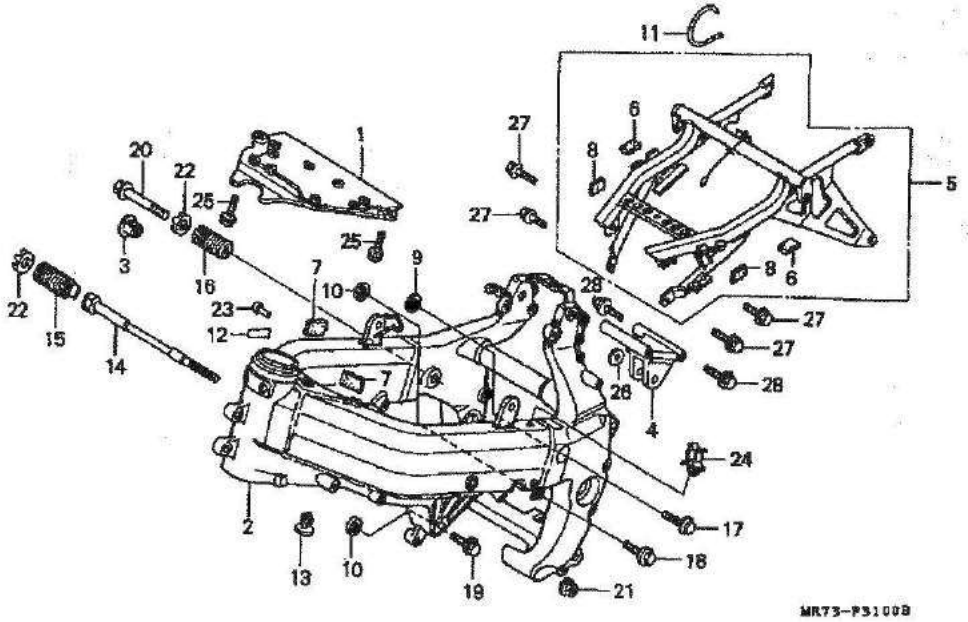
3

Service item	F.R.T.	Ref. No.	Part No.	Description	Reqd. No. VFR750R	Serial No.	Area code
		13	90045-MR7-000	CLIP, ANCHOR	2 2		
		14	90104-MR7-000	BOLT A, RR. ENGINE HANGER			
		15	90119-MR7-000	BOLT B, RR. ENGINE HANGER	1 1 1		
		16	90126-MR7-000	BOLT B, RR. ENGINE HANGER	1 1 1		
		17	90130-MR7-000	BOLT, FLANGE, 10X35	1 1 1		
		18	90131-MR7-000	BOLT, FLANGE, 10X40	3 3 3		
		19	90132-MR7-000	BOLT, FLANGE, 10X45	1 1 1		
		20	90133-MR7-000	BOLT, FLANGE, 10X55	1 1 1		
		21	90304-GA6-003	NUT, AXLE, 10MM	1 1 1		
		22	90310-MR7-000	NUT, LOCK, 22X2.0	2 2 2		
		23	90841-001-000	SCREW, RIVET, 1.8X5	2 2 2		
							AR,B,E,ED,F,FI,G,H,IT,N SD,SP,SW

2-E 4

F-31

Frame body
 Cadre
 Rahmen
 Cuerpo de cuadro



3

Service item	F.R.T.	Ref. No.	Part No.	Description	Read. No.			Serial No.	Area code
					V	K	L		
		24	91405-750-800	CLIP A, FUEL HOSE	1	1	1		
		25	93891-04010-07	SCREW-WASHER, 4X10	2	2	2		
		26	94101-08000	WASHER, PLAIN, 8MM	-	1	1		
		27	96300-08020-00	BOLT, FLANGE, 8X20	4	4	4		
		28	96300-08032-00	BOLT, FLANGE, 8X32	4	4	4		

2-E 5

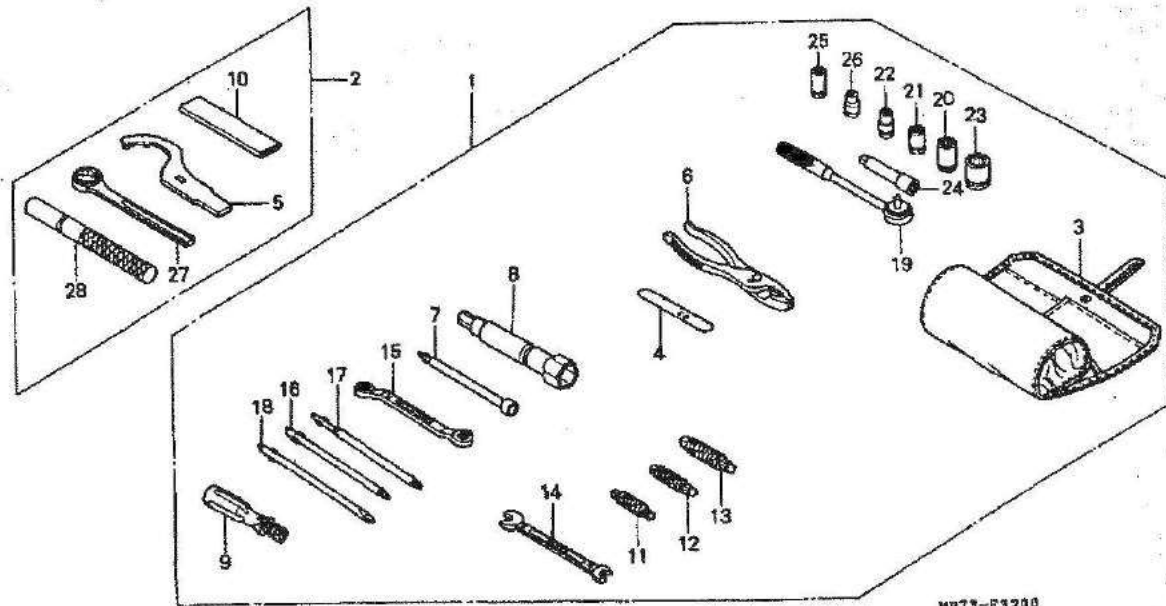
F-32

Tools

Outils

Werkzeug

Herramientas



MR75-F3200

3

Service item	F.R.T.	Ref. No.	Part No.	Description	Reqd. No. VFR750R K	Serial No.	Area code
		1	89010-MR7-600	TOOL SET	1	1	1
		2	89020-MR7-600	SUB TOOL SET	1	1	1
		3	89101-MR7-600	BAG, TOOL	1	1	1
		4	89103-371-000	GAUGE, FEELER, 0.7MM	1	1	1
		5	89201-MR7-000	SPANNER, PIN	1	1	1
		6	89210-422-000	PLIERS, 150	1	1	1
		7	89211-MR7-000	WRENCH, BOX, 8MM	1	1	1
		8	89216-MR7-000	WRENCH, PLUG	1	1	1
		9	89216-431-870	GRIP	1	1	1
		10	89217-422-000	HANDLE, EYE WRENCH, 120MM	1	1	1
		11	89221-MR7-000	WRENCH, HEX., 5MM	1	1	1
		12	89222-MR7-000	WRENCH, HEX., 6MM	1	1	1
		13	89223-MR7-000	WRENCH, HEX., 8MM	1	1	1
		14	89225-422-000	SPANNER, 10X12	1	1	1
		15	89227-MJ4-000	WRENCH, EYE, 10X12	1	1	1

2-E 6

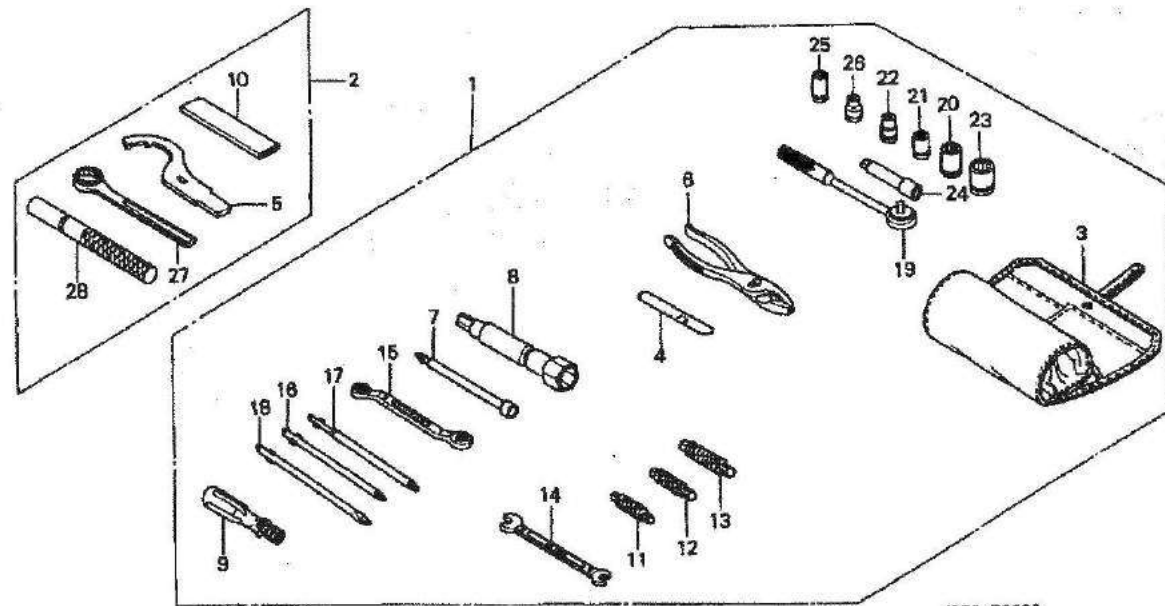
F-32

Tools

Outils

Werkzeug

Herramientas



MR73-P3200

3

Service item	F.R.T.	Ref. No.	Part No.	Description	Reqd. No.			Serial No.	Area code
					V	K	S		
		16	89227-422-000	DRIVER 2, PLUS SCREW	1	1	1		
		17	89228-422-000	DRIVER 3, PLUS SCREW	1	1	1		
		18	89229-422-000	DRIVER 2, MINUS SCREW	1	1	1		
		19	89240-MR7-000	HANDLE, RATCHET	1	1	1		
		20	89241-MR7-000	WRENCH, SOCKET, 14MM	1	1	1		
		21	89242-MR7-000	WRENCH, SOCKET, 12MM	1	1	1		
		22	89243-MR7-000	WRENCH, SOCKET, 10MM	1	1	1		
		23	89244-MR7-000	WRENCH, SOCKET, 17MM	1	1	1		
		24	89246-MR7-000	BAR, EXTENSION	1	1	1		
		25	89247-MR7-000	ADAPTER	1	1	1		
		26	89248-MR7-000	WRENCH, SOCKET, 8MM	1	1	1		
		27	89266-MR7-000	WRENCH, EYE, 36MM	1	1	1		
		28	89266-MR7-000	GRIP, EYE WRENCH, 36MM	1	1	1		

2-E 7

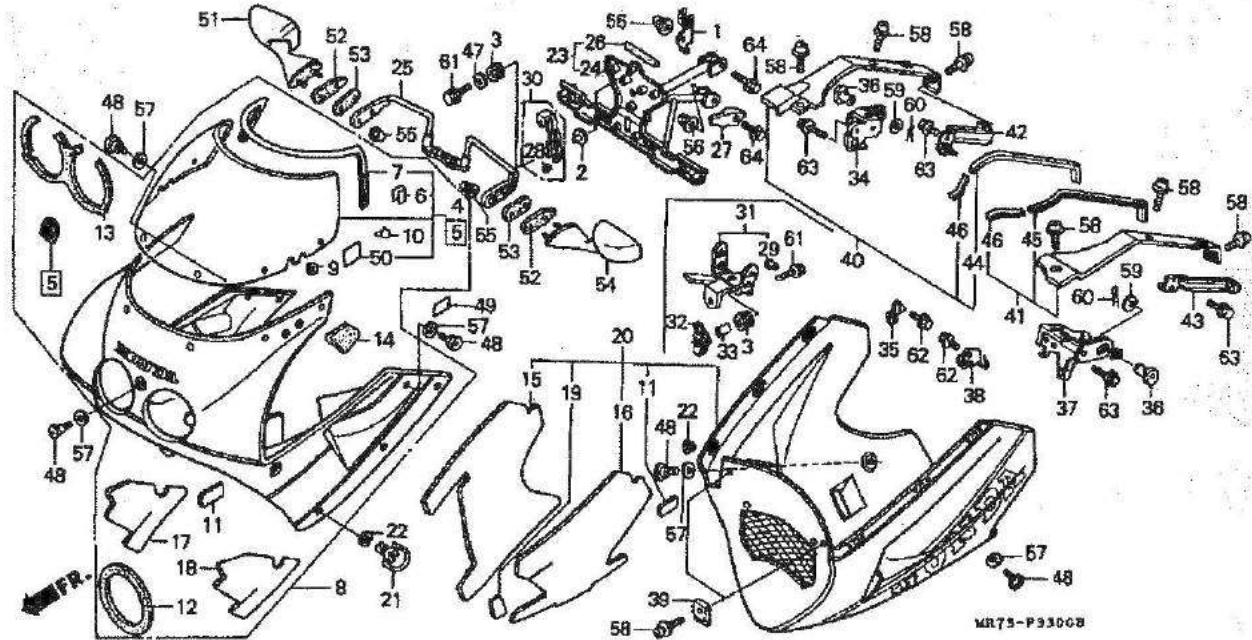
F-33

Cowl
(VFR750RJ,K-Except SW)

Auvent
(VFR750RJ,K-Sauf SW)

Haubenverkleidung
(VFR750RJ,K-Ausgenomm-
en SW)

Cubretablero
(VFR750RJ,K-Salvo SW)



3

Service item	F.R.T.	Ref. No.	Part No.	Description	Req. No. VFR750R K	Serial No.	Area code
SCREEN ASSY., WIND	0.6	1	32111-MR7-000	CLAMPER, CORD	1	1	AR,B,CM,E,ED,F,FI,G,H,IT
COWL ASSY., UPPER	0.7	2	61104-422-000	COLLAR, SETTING	1	1	N,NZ,SD,SP,U
.STAY, UPPER COWL MAIN		3	61304-415-000	RUBBER, HEADLIGHT CASE			NZ,U
COWL ASSY., LOWER	0.2			MOUNTING	1	1	AR,B,CM,E,ED,F,FI,G,H,IT
		4	64050-MR7-306	SCREEN SET, WIND	1	-	N,NZ,SD,SP,U
			64050-MR7-307	SCREEN SET, WIND	1	-	AR,B,CM,E,ED,FI,H,IT,N,SD
			64050-MR7-308	SCREEN SET, WIND	-	1	SP
			64050-MR7-309	SCREEN SET, WIND	-	1	G
			64050-MR7-316	SCREEN SET, WIND	-	1	2101044
			64050-MR7-319	SCREEN SET, WIND	-	1	G
			64050-MR7-317	SCREEN SET, WIND	-	1	F
		6	64100-MR7-940	SCREEN ASSY., WIND	-	1	2101045
							NZ,U
							AR,B,CM,E,ED,IT,SD,SP
							U
							G

2-E 8

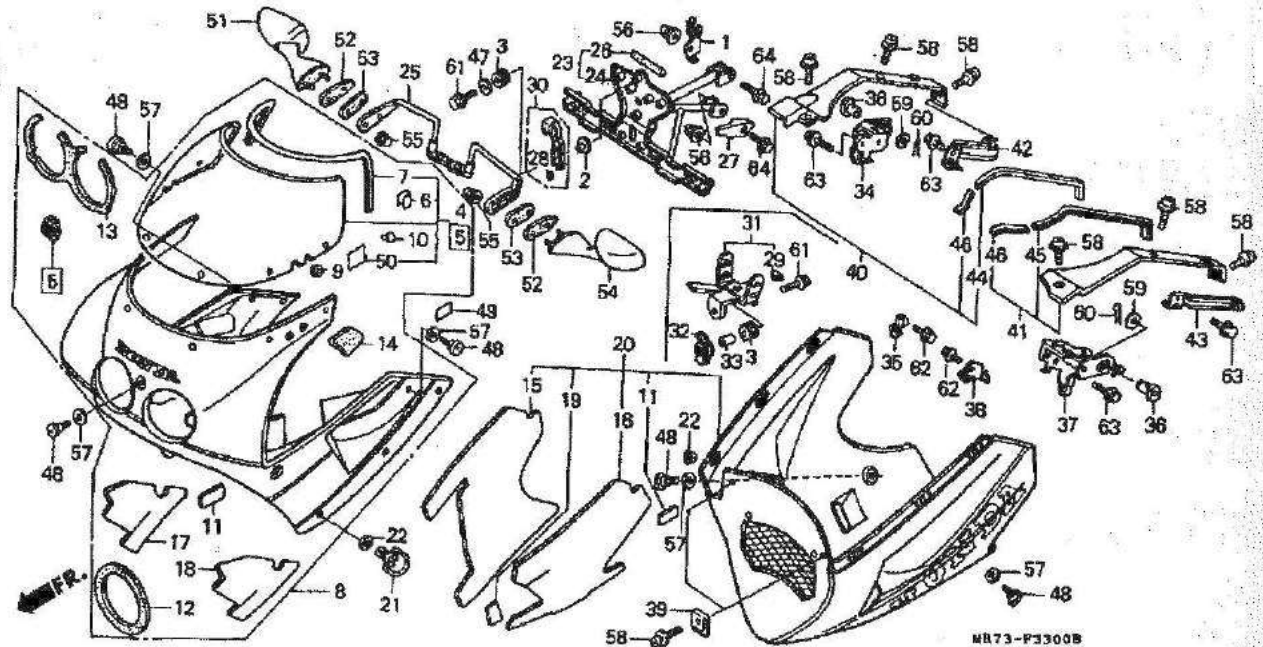
F-33

Cowl
(VFR750RJ,K-Except SW)

Auvent
(VFR750RJ,K-Sauf SW)

Haubenverkleidung
(VFR750RJ,K-Ausgenomm-
en SW)

Cubretablero
(VFR750RJ,K-Salvo SW)



MB73-P3300B

3

Service item	F.R.T.	Ref. No.	Part No.	Description	Reqd. No.			Serial No.	Area code
					VFR750R	K	SW		
		6	64102-MA3-720	CLIP, SCREEN MOULDING	2	2	2		AR,B,CM,E,ED,F,FI,G,H,IT N,NZ,SD,SP,U
		7	64106-MR7-000	MOULDING, WIND SCREEN	1	1	1		AR,B,CM,E,ED,F,FI,G,H,IT N,NZ,SD,SP,U
		8	64190-MR7-600ZA	COWL ASSY., UPPER (WL) *NH193PA*					
			64190-MR7-601ZA	*NH193PA* PEARL CRYSTAL WHITE-A	1	-	-		AR,B,CM,E,ED,FI,H,N,SD,SP
			64190-MR7-610ZA	*NH193PA* PEARL CRYSTAL WHITE-A	-	1	-		AR,B,CM,E,ED,SD,SP
			64190-MR7-620ZA	*NH193PA* PEARL CRYSTAL WHITE-A	1	1	-		G
			64190-MR7-880ZA	*NH193PA* PEARL CRYSTAL WHITE-A	1	1	-		F
			64190-MR7-881ZA	*NH193PA* PEARL CRYSTAL WHITE-A	1	-	-		NZ,U
				PEARL CRYSTAL WHITE-A	-	1	-		U

2-E 9

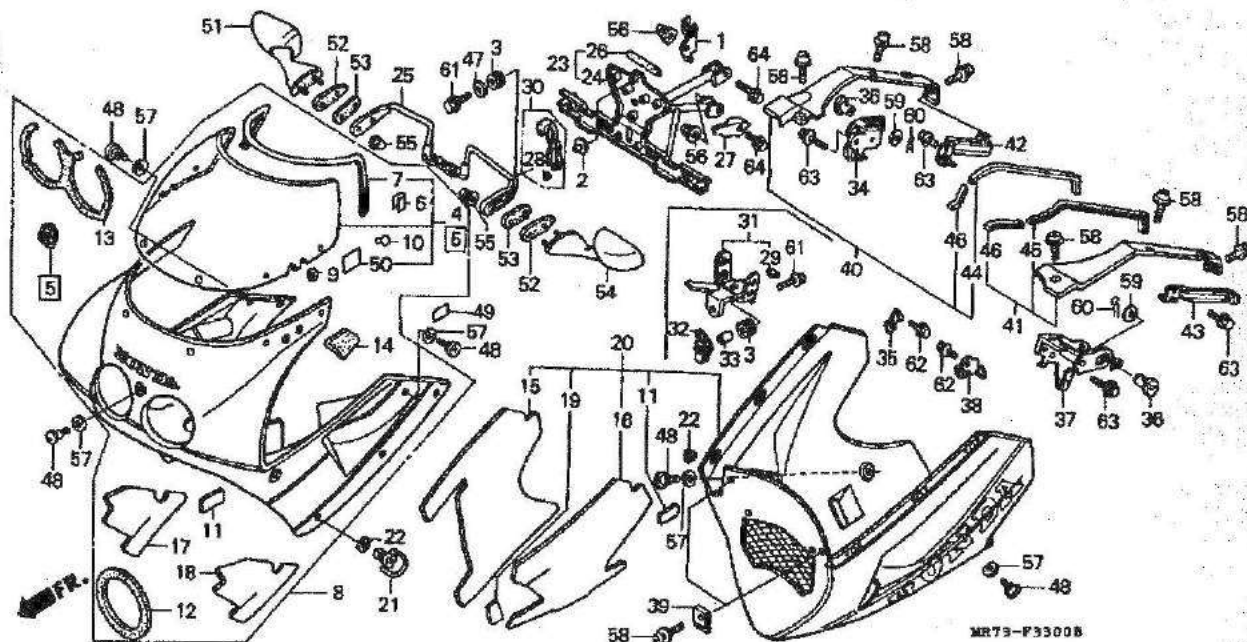
F-33

Cowl
(VFR750RJ,K-Except SW)

Auvent
(VFR750RJ,K-Sauf SW)

Haubenverkleidung
(VFR750RJ,K-Ausgenomm-
en SW)

Cubretablero
(VFR750RJ,K-Salvo SW)



3

Service Item	F.R.T.	Ref. No.	Part No.	Description	Reqd. No. VFR750R	Serial No.	Area code
		(B)	64190-MR7-760ZA	COWL ASSY., UPPER (WL) *NH193PA*			
			64190-MR7-761ZA	PEARL CRYSTAL WHITE-A *NH193PA*	1	-	IT
			64190-MR7-940ZA	PEARL CRYSTAL WHITE-A *NH193PA*	-	1	IT
		9	64208-MJ0-000	NUT, SPEED, 4MM	6	6	AR,B,CM,E,ED,F,FI,G,H,IT N,NZ,SD,SP,U
		10	64208-ML0-700	PIN, SCREEN SETTING	6	6	AR,B,CM,E,ED,F,FI,G,H,IT N,NZ,SD,SP,U
		11	64233-MR7-300	PROTECTOR, HOSE	2	3	AR,B,CM,E,ED,F,FI,G,H,IT N,NZ,SD,SP,U
		12	64234-MR7-300	SEAL, HEADLIGHT	2	2	NZ,U
		13	64234-MR7-600	SEAL, HEADLIGHT (A)	1	1	AR,B,CM,E,ED,F,FI,G,H,IT N,SD,SP

2-E10

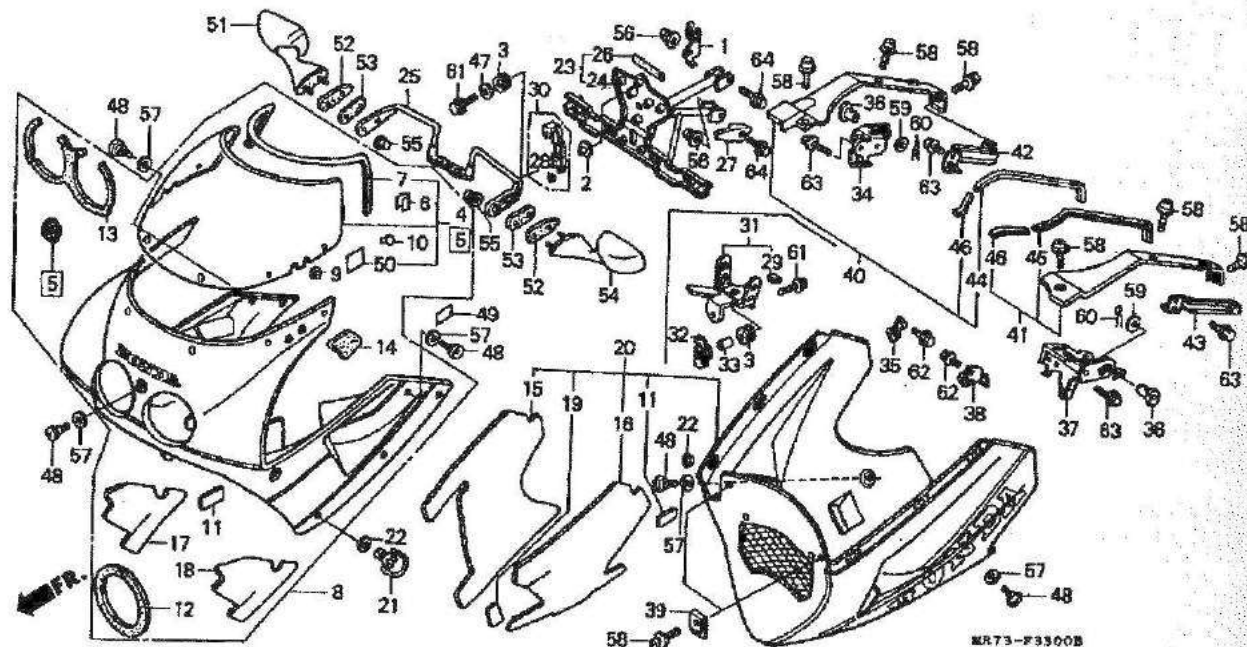
F-33

Cowl
(VFR750RJ,K-Except SW)

Auvent
(VFR750RJ,K-Sauf SW)

Haubenverkleidung
(VFR750RJ,K-Ausgenomm-
en SW)

Cubretablero
(VFR750RJ,K-Salvo SW)



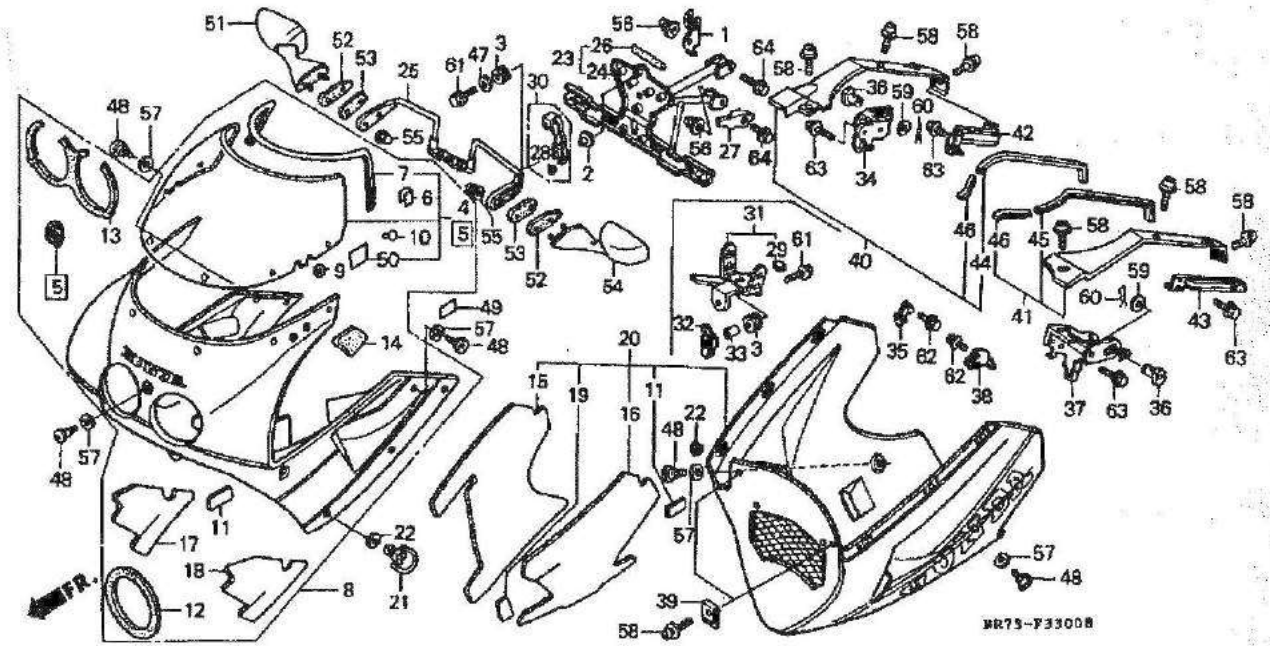
3

Service item	F.R.T.	Ref. No.	Part No.	Description	Reqd. No. VFR750R K	Serial No.	Area code
		14	64235-MR7-300	PROTECTOR, UPPER COWL	1 1 1		AR,B,CM,E,ED,F,FI,G,H,IT N,NZ,SD,SP,U
		15	64284-MR7-600	MAT. R. LOWER COWL HEAT GUARD	1 1 1		AR,B,CM,E,ED,F,FI,G,H,IT N,NZ,SD,SP,U
		16	64285-MR7-600	MAT. L. LOWER COWL HEAT GUARD	1 1 1		AR,B,CM,E,ED,F,FI,G,H,IT N,NZ,SD,SP,U
		17	64286-MR7-600	MAT. R. UPPER COWL HEAT GUARD	1 1 1		AR,B,CM,E,ED,F,FI,G,H,IT N,NZ,SD,SP,U
		18	64287-MR7-600	MAT. L. UPPER COWL HEAT GUARD	1 1 1		AR,B,CM,E,ED,F,FI,G,H,IT N,NZ,SD,SP,U

2-E11

F-33

- Cowl
(VFR750RJ,K-Except SW)
- Auvent
(VFR750RJ,K-Sauf SW)
- Haubenverkleidung
(VFR750RJ,K-Ausgenomm-
en SW)
- Cubretablero
(VFR750RJ,K-Salvo SW)



3

Service item	F.R.T.	Ref. No.	Part No.	Description	Reqd. No. VFR750R J K	Serial No.	Area code
		19	64268-MR7-300	MAT. L. FR. LOWER COWL HEAT GUARD	1	-	AR,B,CM,E,ED,F,FI,G,H,IT N,NZ,SD,SP,U
		20	64270-MR7-600ZA	COWL ASSY., LOWER (WL) *NH193PA*	1	-	AR,B,CM,E,ED,F,FI,G,H,IT N,NZ,SD,SP,U
		*	64270-MR7-602ZA	*NH193PA* PEARL CRYSTAL WHITE-A	-	1	AR,B,CM,E,ED,F,G,IT,SD,SP U
		21	64295-MR7-000	STUD	6	6	AR,B,CM,E,ED,F,FI,G,H,IT N,NZ,SD,SP,U
		22	64297-MR7-000	RETAINER	12	12	AR,B,CM,E,ED,F,FI,G,H,IT N,NZ,SD,SP,U
		23	64501-MR7-000	STAY, UPPER COWL MAIN	1	1	NZ,U

2-E12

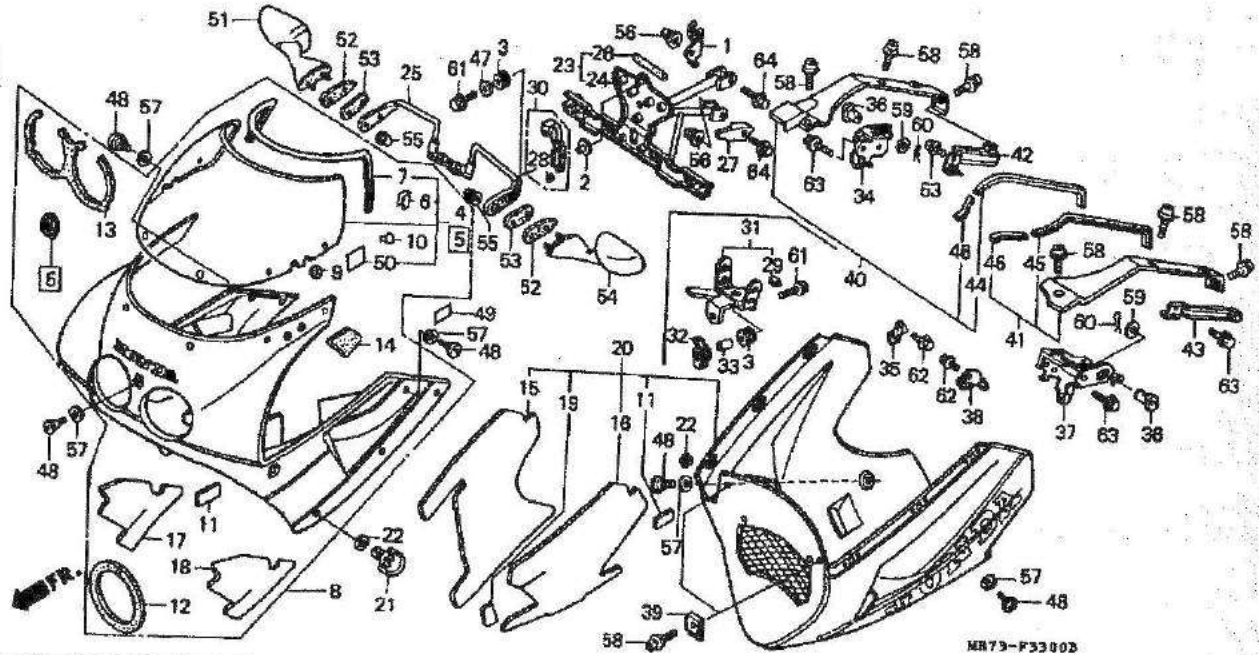
F-33

Cowl
(VFR750RJ,K-Except SW)

Auvent
(VFR750RJ,K-Sauf SW)

Haubenverkleidung
(VFR750RJ,K-Ausgenomm-
en SW)

Cubretablero
(VFR750RJ,K-Salvo SW)



3

Service item	F.R.T.	Ref. No.	Part No.	Description	Reod. No. VFR750R	Serial No.	Area code
		24	64501-MR7-600	STAY, UPPER COWL MAIN	1	1	AR,B,CM,E,ED,F,FI,G,H,N
			64501-MR7-760	STAY, UPPER COWL MAIN	1	1	SD,SP
		25	64505-MR7-000	STAY, BACK MIRROR	1	1	IT
							AR,B,CM,E,ED,F,FI,G,H,IT
							N,NZ,SD,SP,U
		26	64509-MR7-300	RUBBER	1	1	NZ,U
		27	64511-MR7-000	COVER, HEAD PIPE	-	1	AR,B,CM,E,ED,F,G,IT,SD,SP
		28	64512-MR7-300	RUBBER, COWL STAY	2	2	U
		29	64512-MR7-600	RUBBER, COWL STAY	1	1	NZ,U
							AR,B,CM,E,ED,F,FI,G,H,IT
							N,SD,SP
		30	64513-MR7-000	STAY, FR. COWL MOUNTING	1	1	NZ,U

2-E13

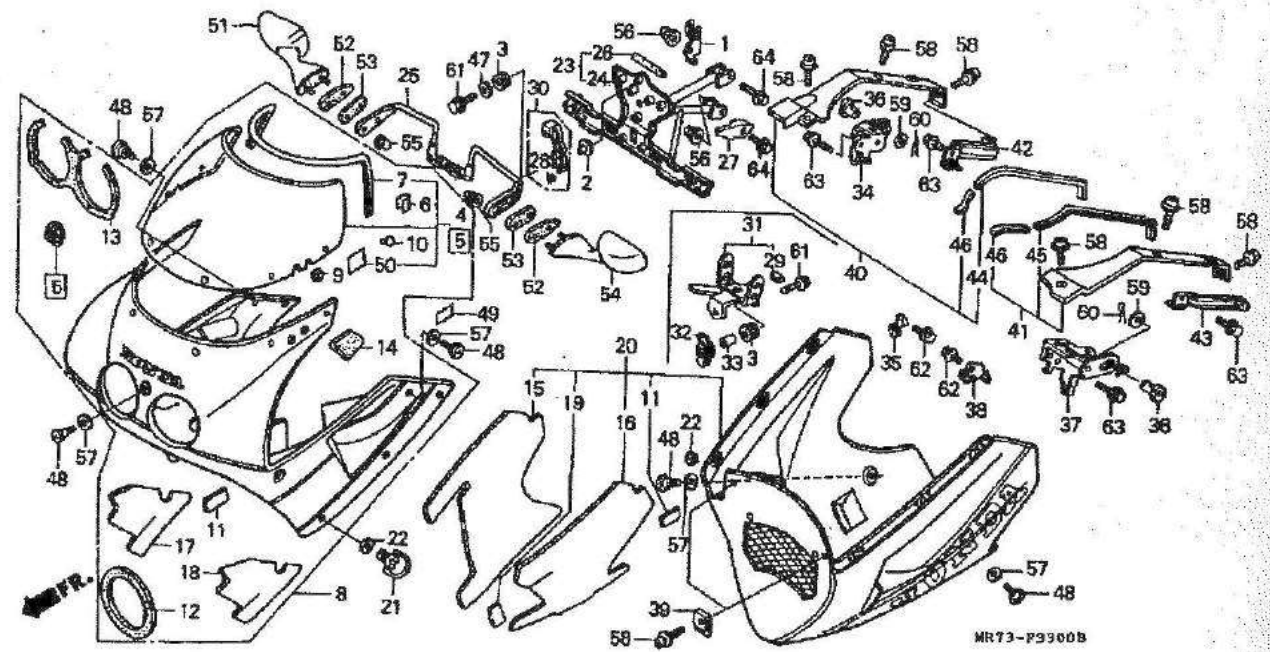
F-33

Cowl
(VFR750RJ,K-Except SW)

Auvent
(VFR750RJ,K-Sauf SW)

Haubenverkleidung
(VFR750RJ,K-Ausgenomm-
en SW)

Cubretablero
(VFR750RJ,K-Salvo SW)



3

Service Item	F.R.T.	Ref. No.	Part No.	Description	Reqd. No. VFR750R K	Serial No.	Area code
		31	64513-MR7-600	STAY, FR. COWL MOUNTING	1 1 1	AR,B,E,ED,F,FI,G,H,IT,N SD,SP
			64513-MR7-720	STAY, FR. COWL MOUNTING	1 1 -	CM
		32	64516-MR7-600	PLATE, COWL MOUNTING STAY	1 1 1	AR,B,CM,E,ED,F,FI,G,H,IT N,SD,SP
		33	64517-MR7-600	COLLAR, COWL MOUNTING	1 1 1	AR,B,CM,E,ED,F,FI,G,H,IT N,SD,SP
		34	64520-MR7-000	STAY, R. UPPER COWL CENTER	1 1 1	AR,B,CM,E,ED,F,FI,G,H,IT N,NZ,SD,SP,U
		35	64521-MR7-000	STAY, R. LOWER COWL	1 1 1	AR,B,CM,E,ED,F,FI,G,H,IT N,NZ,SD,SP,U

2-E14

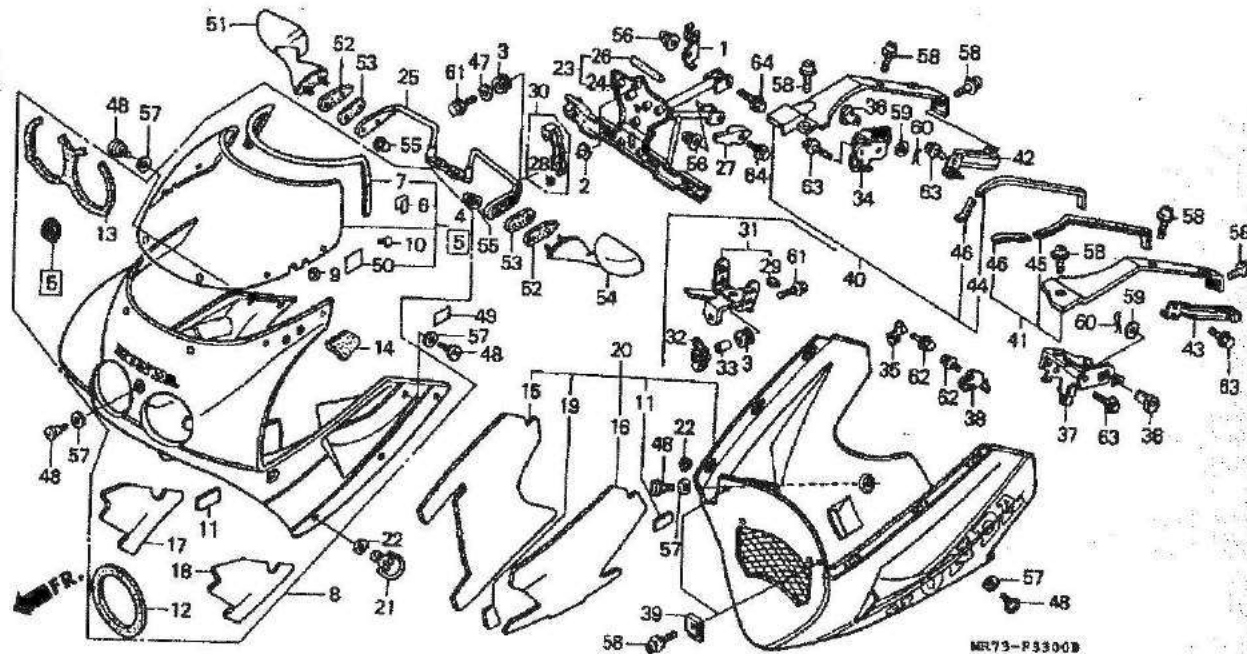
F-33

Cowl
(VFR750RJ,K-Except SW)

Auvent
(VFR750RJ,K-Sauf SW)

Haubenverkleidung
(VFR750RJ,K-Ausgenomm-
en SW)

Cubretablero
(VFR750RJ,K-Salvo SW)



MR75-P5300B

3

Service Item	F.R.T.	Ref. No.	Part No.	Description	Reqd. No. VFR750R	Serial No.	Area code
		36	64522-MR7-000	NUT, COWL CENTER	2 2 2	AR,B,CM,E,ED,F,FI,G,H,IT N,NZ,SD,SP,U
		37	64526-MR7-000	STAY, L. UPPER COWL CENTER	1 1 1	AR,B,CM,E,ED,F,FI,G,H,IT N,NZ,SD,SP,U
		38	64526-MR7-000	STAY, L. LOWER COWL	1 1 1	AR,B,CM,E,ED,F,FI,G,H,IT N,NZ,SD,SP,U
		39	64527-KE8-700	NUT, CLIP, 4MM	2 2 2	AR,B,CM,E,ED,F,FI,G,H,IT N,NZ,SD,SP,U
		40	64590-MR7-000	PANEL ASSY., R. INNER	1 1 1	AR,B,CM,E,ED,F,FI,G,H,IT N,NZ,SD,SP,U
		41	64595-MR7-000	PANEL ASSY., L. INNER	1 1 1	AR,B,CM,E,ED,F,FI,G,H,IT N,NZ,SD,SP,U
		42	64597-MR7-000	STAY, R. INNER PANEL LOWER	1 1 1	AR,B,CM,E,ED,F,FI,G,H,IT N,NZ,SD,SP,U

2-E15

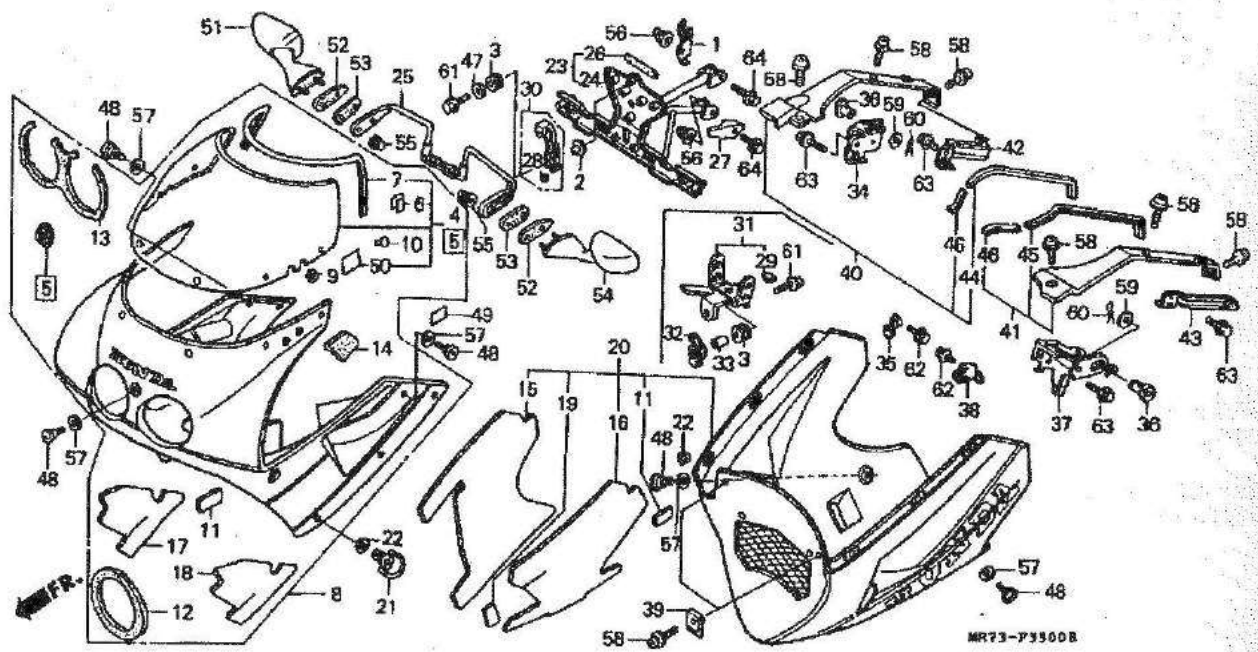
F-33

Cowl
(VFR750RJ,K-Except SW)

Auvent
(VFR750RJ,K-Sauf SW)

Haubenverkleidung
(VFR750RJ,K-Ausgenomm-
en SW)

Cubretablero
(VFR750RJ,K-Salvo SW)



MR73-73500B

3

Service item	F.R.T.	Ref. No.	Part No.	Description	Field No. VFR750R	Serial No.	Area code
		43	64598-MR7-000	STAY, L. INNER PANEL LOWER	1 1 1	AR,B,C,M,E,ED,F,FI,G,H,IT N,NZ,SD,SP,U
		44	64601-MR7-300	MOULDING A, R. INNER PANEL	1 1 1	AR,B,C,M,E,ED,F,FI,G,H,IT N,NZ,SD,SP,U
		45	64602-MR7-300	MOULDING A, L. INNER PANEL	1 1 1	AR,B,C,M,E,ED,F,FI,G,H,IT N,NZ,SD,SP,U
		46	64603-MR7-300	MOULDING B, INNER PANEL	2 2 2	AR,B,C,M,E,ED,F,FI,G,H,IT N,NZ,SD,SP,U
		47	77302-124-000	WASHER, SEAT MOUNTING	1 1 -	NZ,U
		48	83641-MR7-000	BOLT, COWL SETTING (A)	5 5 5	AR,B,C,M,E,ED,F,FI,G,H,IT N,NZ,SD,SP,U
		49	87616-MR7-610	LABEL, FAIRING MARK	1 1 -	G

2-E16

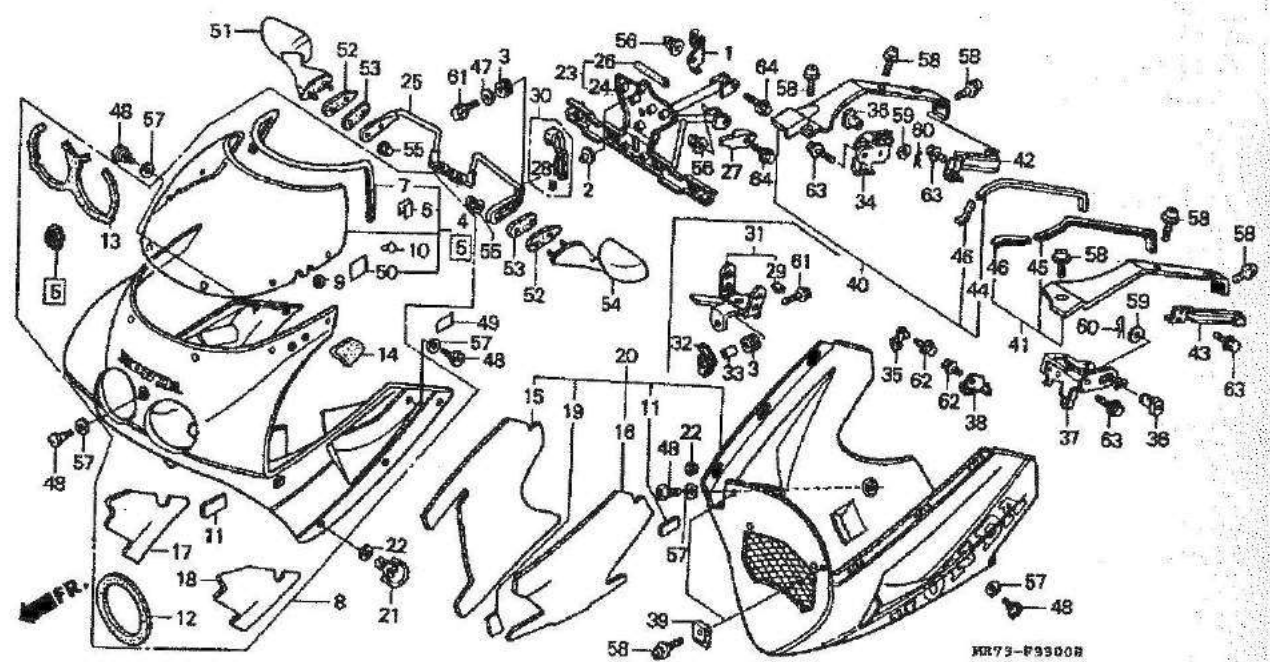
F-33

Cowl
(VFR750RJ,K-Except SW)

Auvent
(VFR750RJ,K-Sauf SW)

Haubenverkleidung
(VFR750RJ,K-Ausgenomm-
en SW)

Cubretablero
(VFR750RJ,K-Salvo SW)



NR73-89900B

3

Service item	F.R.T.	Ref. No.	Part No.	Description	Req. No. VFR750R	Serial No.	Area code
		60	87522-463-930	LABEL, WIND SCREEN CAUTION	1		AR, B, CM, E, ED, FI, H, IT, N, NZ
			87522-463-940	LABEL, WIND SCREEN CAUTION	1		SD, SP, U
			87522-463-941	LABEL, WIND SCREEN CAUTION	1	2101044	G
			87522-463-950	LABEL, WIND SCREEN CAUTION	1	2101046	G
				(FRENCH)	1		CM
			87522-MT2-300	LABEL, WINDSHIELD	1		F
			87522-MT2-620	LABEL, WINDSHIELD (FRENCH)	1		AR, B, CM, E, ED, IT, SD, SP, U
				1		CM
		51	88110-MR7-601ZA	MIRROR, R. BACK			
				*NH196 *	1	1	AR, B, CM, E, ED, F, FI, G, H, IT
				ROSS WHITE	1	1	N, SD, SP, U

2-F 1

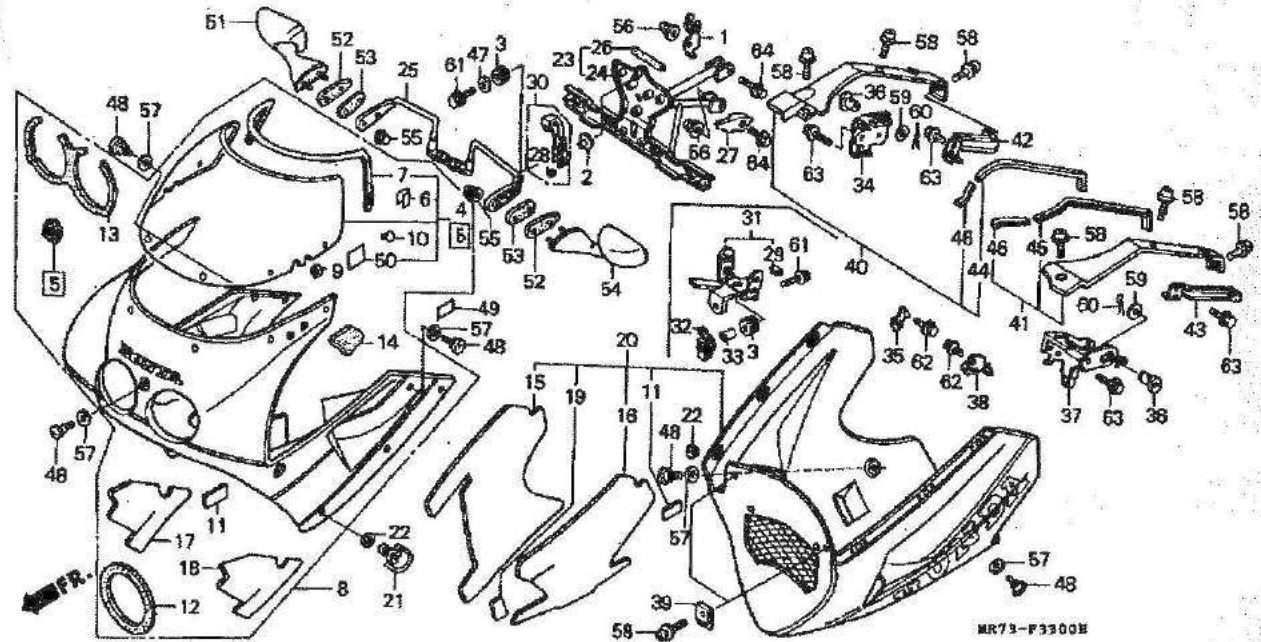
F-33

Cowl
(VFR750RJ,K-Except SW)

Auvent
(VFR750RJ,K-Sauf SW)

Haubenverkleidung
(VFR750RJ,K-Ausgenomm-
en SW)

Cubretablero
(VFR750RJ,K-Salvo SW)



3

Service Item	F.R.T.	Ref. No.	Part No.	Description	Read No.			Serial No.	Area code
					VFR750R	K	L		
		51)	88110-KV3-003	MIRROR, R. BACK	1	-	-	NZ
		52	88111-KV3-000	RUBBER	2	2	2	AR,B,CM,E,ED,F,FI,G,H,IT N,NZ,SD,SP,U
		53	88112-KV3-000	RUBBER, BACK MIRROR MOUNTING	2	2	2	AR,B,CM,E,ED,F,FI,G,H,IT N,NZ,SD,SP,U
		54	88120-MR7-601ZA	MIRROR, L. BACK *NH196*	1	1	1	AR,B,CM,E,ED,F,FI,G,H,IT N,SD,SP,U
			88120-KV3-003	MIRROR, L. BACK	1	-	-	NZ
		55	90201-428-900	NUT, CAP, 6MM	4	4	4	AR,B,CM,E,ED,F,FI,G,H,IT N,NZ,SD,SP,U
		56	90443-107-000	NUT, CAP, 8MM	2	2	2	AR,B,CM,E,ED,F,FI,G,H,IT N,NZ,SD,SP,U
		57	90504-HA0-000	WASHER, 9X20	5	6	5	AR,B,CM,E,ED,F,FI,G,H,IT N,NZ,SD,SP,U

2-F 2

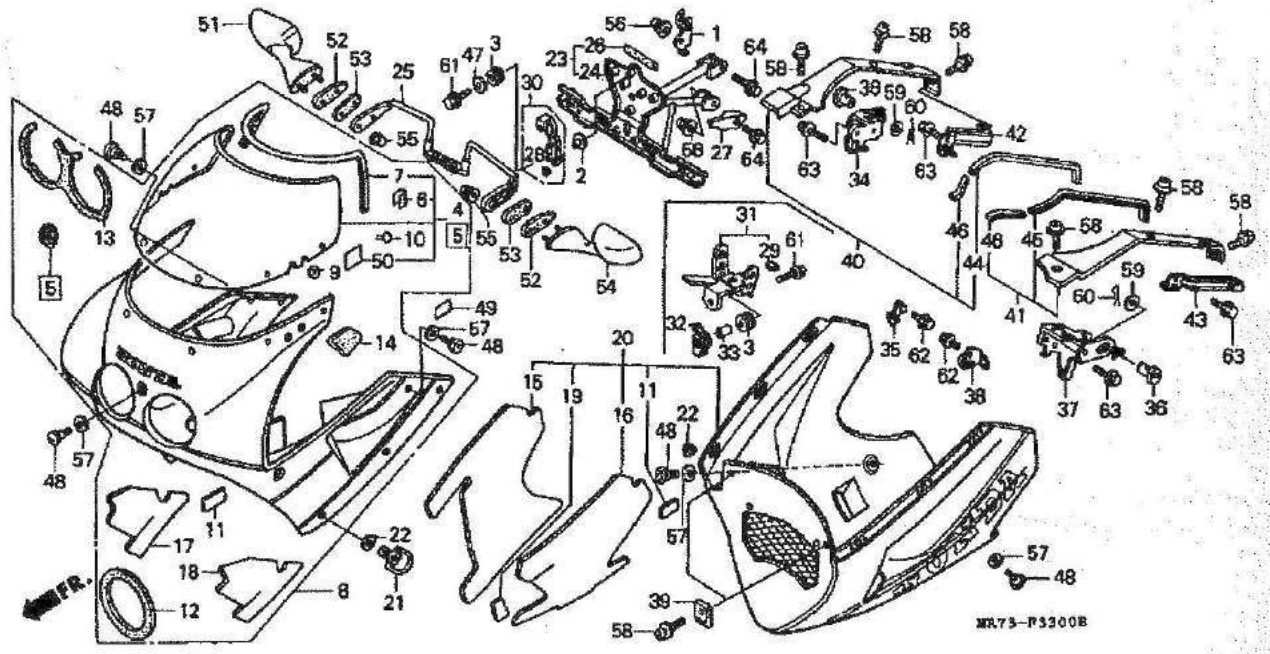
F-33

Cowl
(VFR750RJ,K-Except SW)

Auvent
(VFR750RJ,K-Sauf SW)

Haubenverkleidung
(VFR750RJ,K-Ausgenomm-
en SW)

Cubretablero
(VFR750RJ,K-Salvo SW)



3

Service Item	F.R.T.	Ref. No.	Part No.	Description	Read No. VFR750R K	Serial No.	Area code
		58	93891-04010-07	SCREW-WASHER, 4X10	8 8 8	AR,B,CM,E,ED,F,FI,G,H,IT N,NZ,SD,SP,U
		59	94102-12000	WASHER, PLAIN, 12MM	2 2 2	AR,B,CM,E,ED,F,FI,G,H,IT N,NZ,SD,SP,U
		60	94252-12100	PIN, LOCK, 12MM	2 2 2	AR,B,CM,E,ED,F,FI,G,H,IT N,NZ,SD,SP,U
		81	95701-06030-08	BOLT, FLANGE, 6X30	1 1 1	AR,B,CM,E,ED,F,FI,G,H,IT N,NZ,SD,SP,U
		82	96001-06012-07	BOLT, FLANGE, 6X12	2 2 2	AR,B,CM,E,ED,F,FI,G,H,IT N,NZ,SD,SP,U
		63	96001-06016-07	BOLT, FLANGE, 6X16	4 4 4	AR,B,CM,E,ED,F,FI,G,H,IT N,NZ,SD,SP,U
		64	96400-09035-00	BOLT, FLANGE, 8X35	2 2 2	AR,B,CM,E,ED,F,FI,G,H,IT N,NZ,SD,SP,U

2-F 3

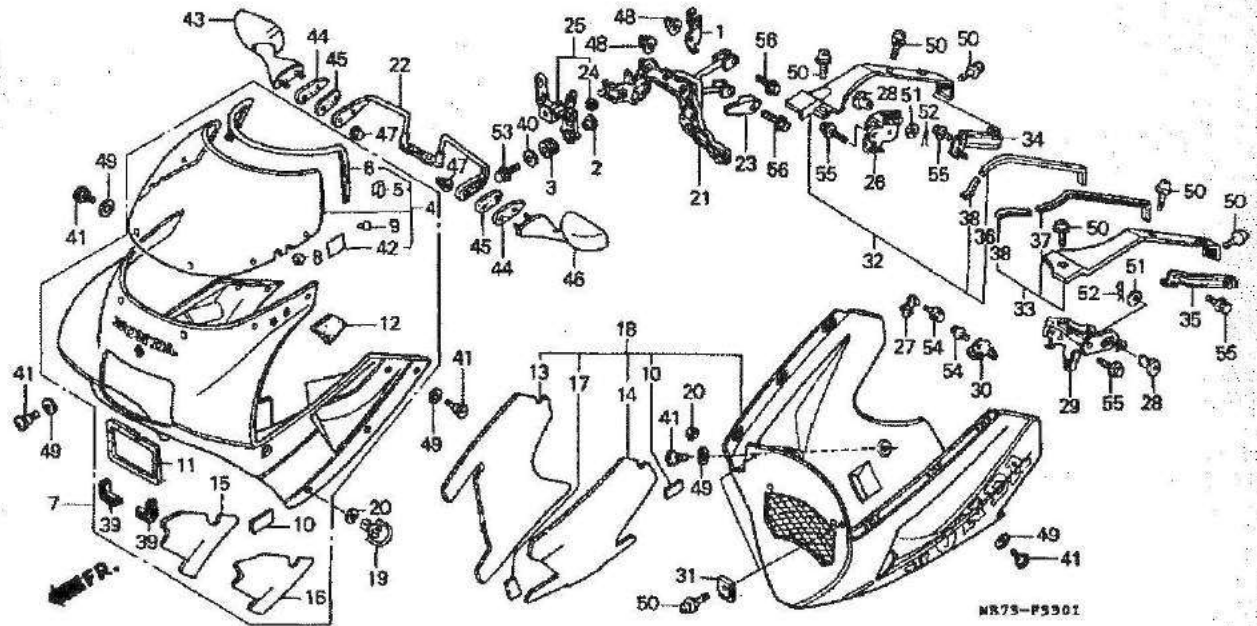
F-33-1

Cowl
(VFR750RJ,K-SW)

Auvent
(VFR750RJ,K-SW)

Haubenverkleidung
(VFR750RJ,K-SW)

Cubretablero
(VFR750RJ,K-SW)



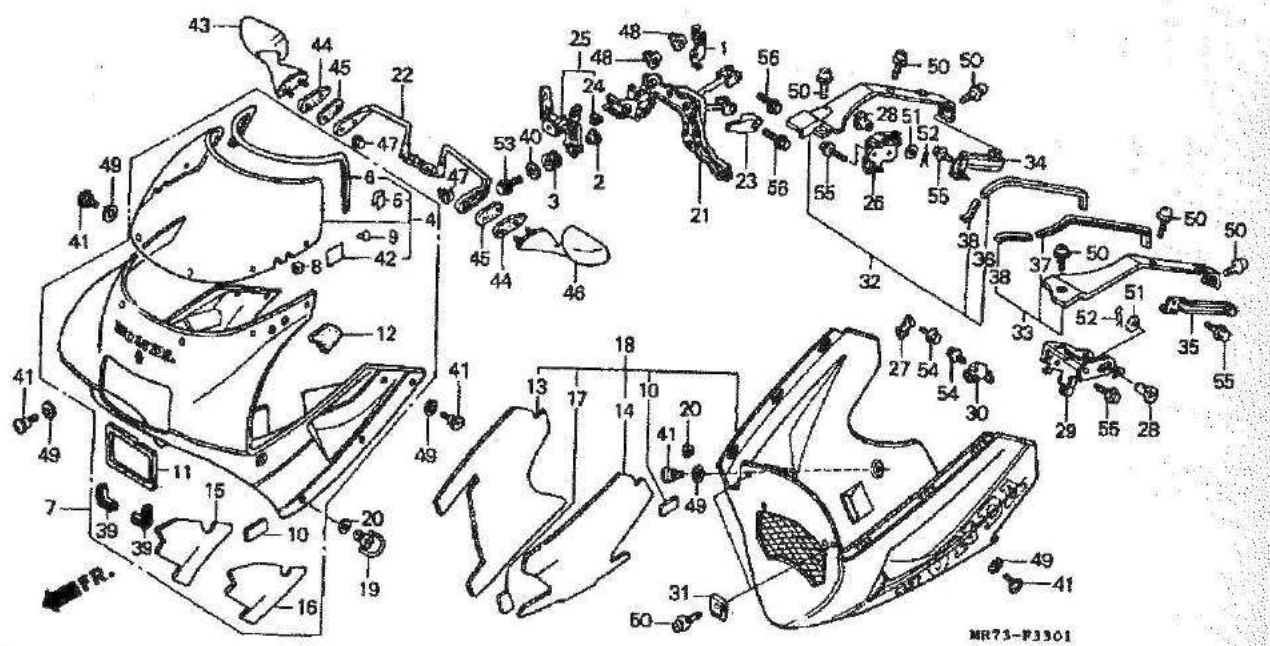
3

Service item	F.R.T.	Ref. No.	Part No.	Description	Reqd. No.		Serial No.	Area code
					VFR750H	K		
SCREEN SET, WIND	0.6	1	32111-MR7-000	CLAMPER, CORD	1	1	SW
COWL ASSY., UPPER	0.7	2	61104-422-000	COLLAR, SETTING	1	1	SW
.STAY, UPPER COWL MAIN		3	61304-415-000	RUBBER, HEADLIGHT CASE				
COWL ASSY., LOWER	0.2			MOUNTING	1	1	SW
		4	64050-MR7-309	SCREEN SET, WIND	1	-	SW
			64050-MR7-319	SCREEN SET, WIND	-	1	SW
		5	64102-MA3-720	CLIP, SCREEN MOULDING	2	2	SW
		6	64106-MR7-000	MOULDING, WIND SCREEN	1	1	SW
		7	64190-MR7-890ZA	COWL ASSY., UPPER (WL)				
			*NH183PA *					
			64190-MR7-691ZA	PEARL CRYSTAL WHITE-A	1	-	SW
			*NH183PA *					
			64190-MR7-691ZA	PEARL CRYSTAL WHITE-A	-	1	SW
		8	64206-MJ0-000	NUT, SPEED, 4MM	6	6	SW
		9	64206-ML0-700	PIN, SCREEN SETTING	6	6	SW

2-F 4

F-33-1

- Cowl
(VFR750RJ,K-SW)
- Auvent
(VFR750RJ,K-SW)
- Haubenverkleidung
(VFR750RJ,K-SW)
- Cubretabléro
(VFR750RJ,K-SW)



3

Service item	F.R.T.	Ref. No.	Part No.	Description	Reqd. No. VFR750R K	Serial No.	Area code
		10	64233-MR7-300	PROTECTOR, HOSE	2 3	-	SW
		11	64234-MR7-690	SEAL, HEADLIGHT	1	1	SW
		12	64235-MR7-300	PROTECTOR, UPPER COWL	1	1	SW
		13	64264-MR7-600	MAT. R. LOWER COWL HEAT GUARD	1	1	SW
		14	64265-MR7-800	MAT. L. LOWER COWL HEAT GUARD	1	1	SW
		15	64266-MR7-600	MAT. R. UPPER COWL HEAT GUARD	1	1	SW
		16	64267-MR7-800	MAT. L. UPPER COWL HEAT GUARD	1	1	SW
		17	64268-MR7-300	MAT. L. FR. LOWER COWL HEAT GUARD	1	-	SW

2-F 5

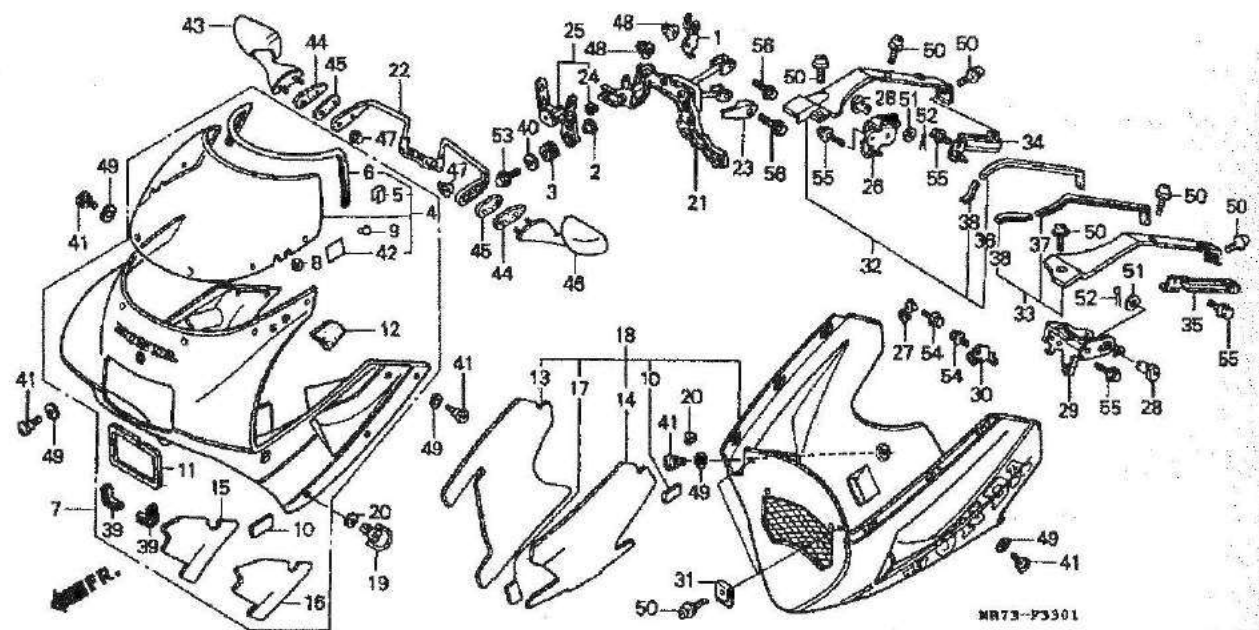
F-33-1

Cowl
(VFR750RJ,K-SW)

Auvent
(VFR750RJ,K-SW)

Haubenverkleidung
(VFR750RJ,K-SW)

Cubretablero
(VFR750RJ,K-SW)



3

Service item	F.R.T.	Ref. No.	Part No.	Description	Reqd. No. VFR750R J K L	Serial No.	Area code
		18	64270-MR7-600ZA	COWL ASSY., LOWER (WL) *NH193PA*	1	-	SW
		*	64270-MR7-602ZA	*NH193PA* PEARL CRYSTAL WHITE-A	-	1	SW
		19	64295-MR7-000	STUD	5	6	SW
		20	64297-MR7-000	RETAINER	12	12	SW
		21	64501-MR7-690	STAY, UPPER COWL MAIN	1	1	SW
		22	64505-MR7-000	STAY, BACK MIRROR	1	1	SW
		23	64511-MR7-000	COVER, HEAD PIPE	-	1	SW
		24	64512-MR7-600	RUBBER, COWL STAY	1	1	SW
		25	64513-MR7-690	STAY, FR. COWL MOUNTING	1	1	SW

2-F 6

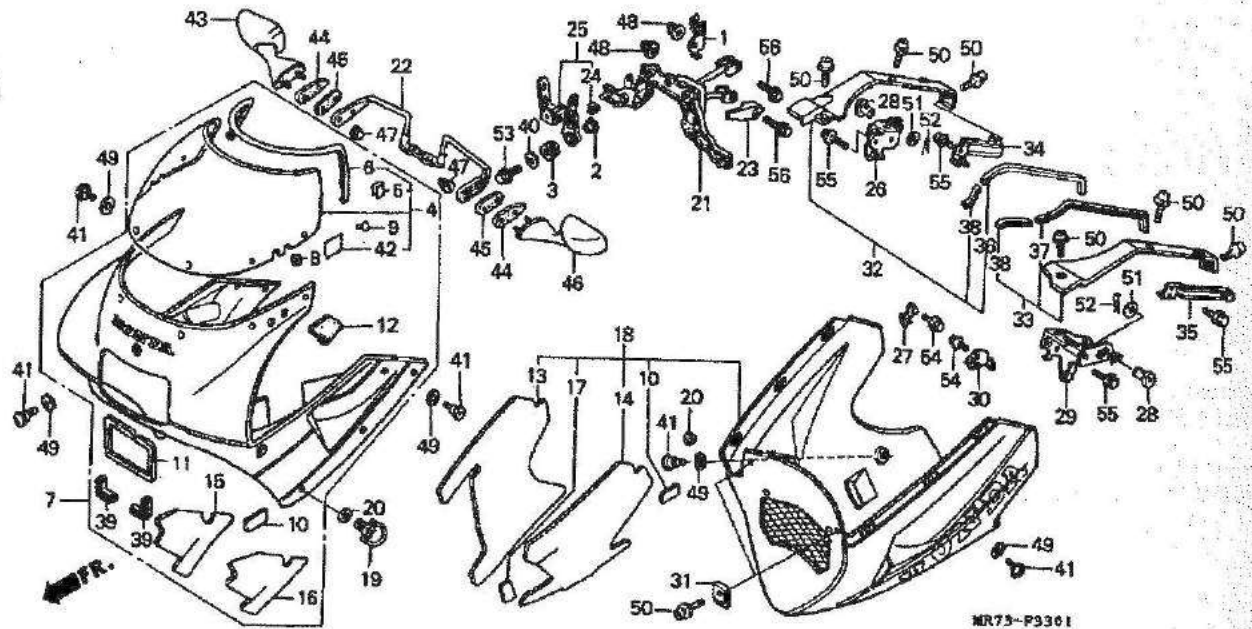
F-33-1

Cowl
(VFR750RJ,K-SW)

Auvent
(VFR750RJ,K-SW)

Haubenverkleidung
(VFR750RJ,K-SW)

Cubretablero
(VFR750RJ,K-SW)



3

Service Item	F.R.T.	Ref. No.	Part No.	Description	Reqd. No.		Serial No.	Area code
					VFR750R	K		
		26	64520-MR7-000	STAY, R. UPPER COWL CENTER	1	1	SW
		27	64521-MR7-000	STAY, R. LOWER COWL	1	1	SW
		28	64522-MR7-000	NUT, COWL CENTER	2	2	SW
		29	64525-MR7-000	STAY, L. UPPER COWL CENTER	1	1	SW
		30	64526-MR7-000	STAY, L. LOWER COWL	1	1	SW
		31	64527-KE8-700	NUT, CLIP, 4MM	2	2	SW
		32	64590-MR7-000	PANEL ASSY., R. INNER	1	1	SW
		33	64595-MR7-000	PANEL ASSY., L. INNER	1	1	SW
		34	64597-MR7-000	STAY, R. INNER PANEL LOWER	1	1	SW
		35	64598-MR7-000	STAY, L. INNER PANEL LOWER	1	1	SW

2-F 7

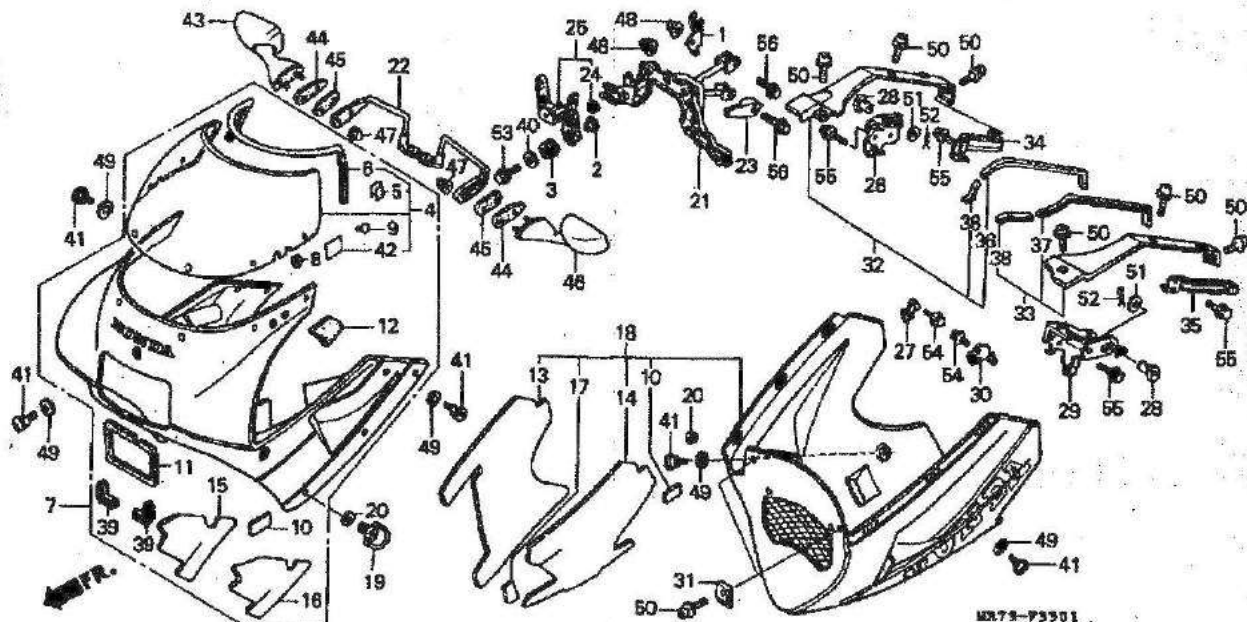
F-33-1

Cowl
(VFR750RJ,K-SW)

Auvent
(VFR750RJ,K-SW)

Haubenverkleidung
(VFR750RJ,K-SW)

Cubretablero
(VFR750RJ,K-SW)



3

Service Item	F.R.T.	Ref. No.	Part No.	Description	Reqd. No. VFR750R	Serial No.	Area code
		36	64601-MR7-300	MOULDING A, R. INNER PANEL	1 1	SW
		37	64602-MR7-300	MOULDING A, L. INNER PANEL	1 1	SW
		38	64603-MR7-300	MOULDING B, INNER PANEL	2 2	SW
		39	64604-MR7-690	RUBBER, HEADLIGHT MOUNTING	2 2	SW
		40	77302-124-000	WASHER, SEAT MOUNTING	1 1	SW
		41	83641-MR7-000	BOLT, COWL SETTING (A)	6 6	SW
		42	87522-463-930	LABEL, WIND SCREEN CAUTION	1 -	SW
			87522-MT2-300	LABEL, WINDSHIELD	- 1	SW
		43	88110-MR7-601ZA	MIRROR, R. BACK			
			* NH196 *ROSS WHITE	1 1	SW
		44	88111-KV3-000	RUBBER	2 2	SW
		45	88112-KV3-000	RUBBER, BACK MIRROR MOUNTING	2 2	SW

2-F 8

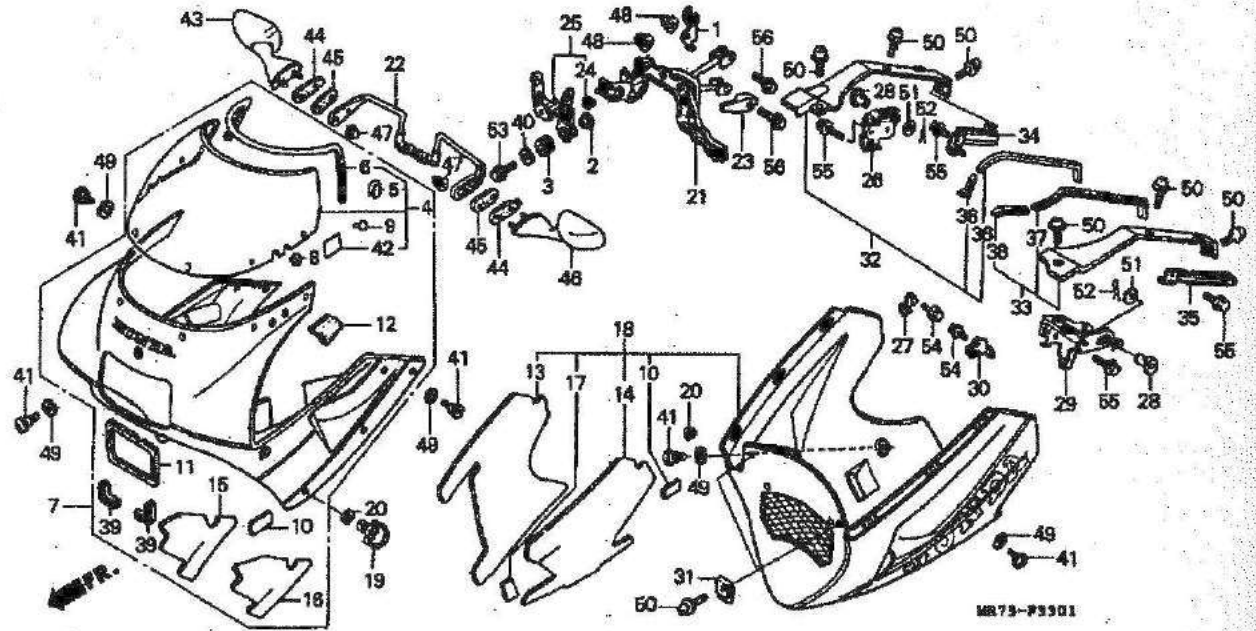
F-33-1

Cowl
(VFR750RJ,K-SW)

Auvent
(VFR750RJ,K-SW)

Haubenverkleidung
(VFR750RJ,K-SW)

Cubretablero
(VFR750RJ,K-SW)



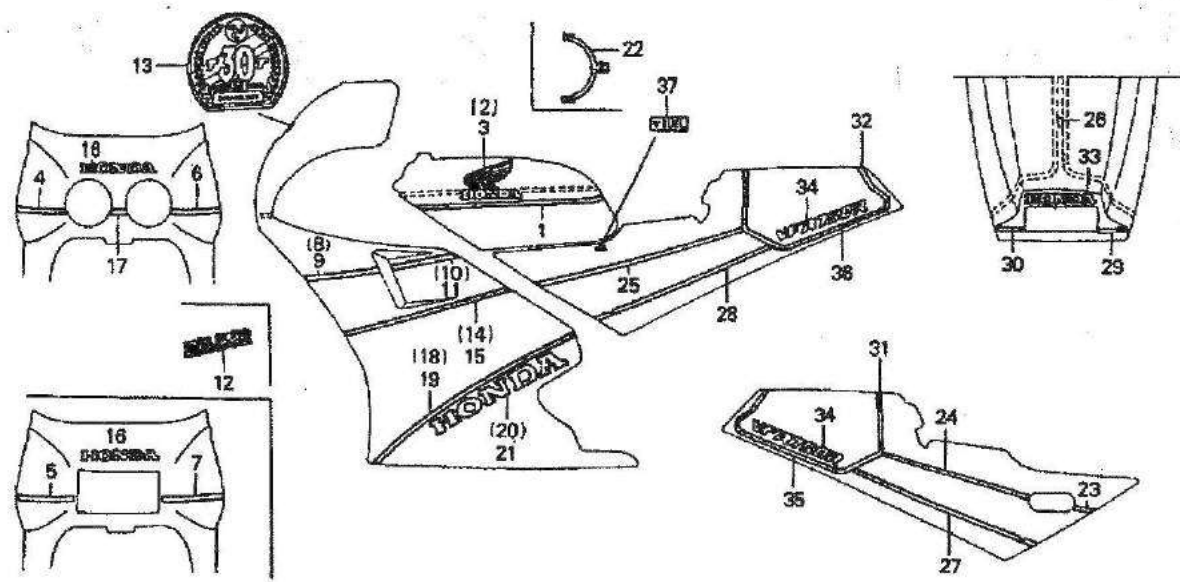
3

Service item	F.R.T.	Ref. No.	Part No.	Description	Qty.	Reqd. No. VFR750RJ, K-SW	Serial No.	Area code
		46	88120-MR7-801ZA	MIRROR, L. BACK * NH196 *	1	1	-----	SW
		47	90201-428-900	NUT, CAP, 6MM	4	4	-----	SW
		48	90443-107-000	NUT, CAP, 8MM	2	2	-----	SW
		49	90604-HA0-000	WASHER, 9X20	5	5	-----	SW
		50	93891-04010-07	SCREW-WASHER, 4X10	8	8	-----	SW
		51	94102-12000	WASHER, PLAIN, 12MM	2	2	-----	SW
		52	94252-12100	PIN, LOCK, 12MM	2	2	-----	SW
		53	95701-06030-08	BOLT, FLANGE, 6X30	1	1	-----	SW
		54	96001-06012-07	BOLT, FLANGE, 6X12	2	2	-----	SW
		55	96001-06016-07	BOLT, FLANGE, 6X16	4	4	-----	SW
		56	96400-08035-00	BOLT, FLANGE, 8X35	2	2	-----	SW

2-F 9

F-34

- Stripe • Mark
- Rayure • Marque
- Streifen • Marke
- Franja • Marca



MR73-F3406A

3

Service item	F.R.T.	Ref. No.	Part No.	Description	Reqd. No.			Serial No.	Area code
					VFR750R	X	1		
		1	17508-MR7-300	STRIPE, FUEL TANK	1	1	1		
		2	17531-MR7-300	MARK, R. FUEL TANK	1	-	1		AR,B,E,ED,F,FIG,H,IT,N NZ,SD,SW,U CM,SP
		*	17531-MR7-310	MARK, R. FUEL TANK	-	1	-	2100649	AR,B,E,ED,F,FIG,IT,SD,SW
					-	1	-	2100650	AR,B,E,ED,F,FIG,IT,SD,SW
					-	1	-		U
		3	17532-MR7-300	MARK, L. FUEL TANK	1	-	1		AR,B,E,ED,F,FIG,H,IT,N NZ,SD,SW,U CM,SP
					1	1	-		
		*	17532-MR7-310	MARK, L. FUEL TANK	-	1	-	2100649	AR,B,E,ED,F,FIG,IT,SD,SW
					-	1	-	2100850	AR,B,E,ED,F,FIG,IT,SD,SW
					-	1	-		U

2-F10

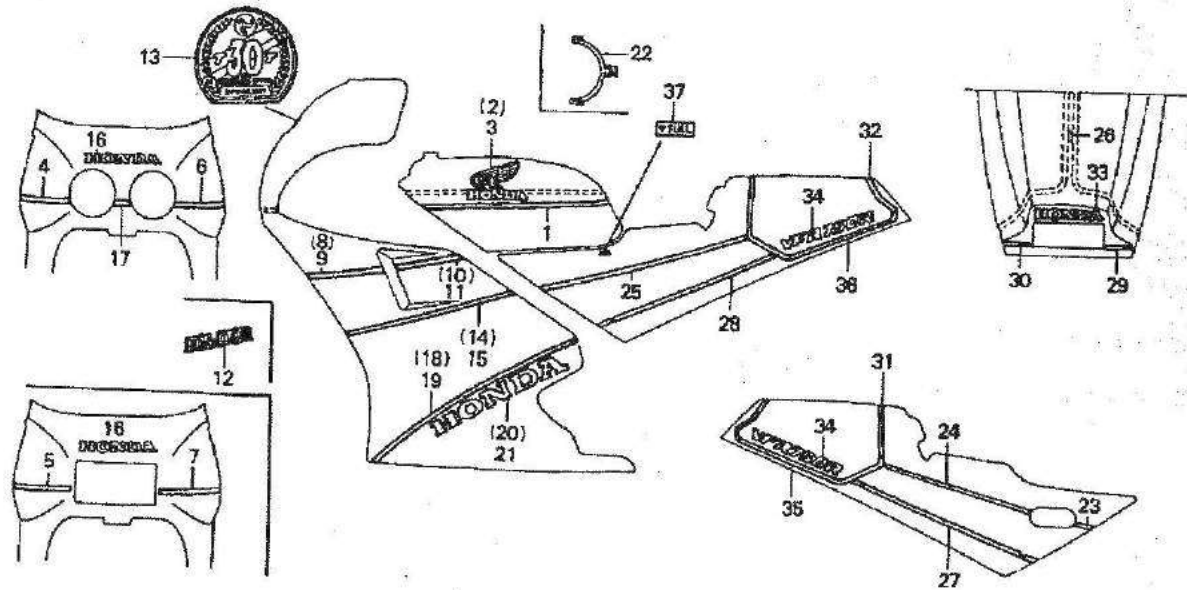
F-34

Stripe • Mark

Rayure • Marque

Streifen • Marke

Franja • Marca



MR73-F3400A

3

Service item	F.R.T.	Ref. No.	Part No.	Description	Reqd. No. VFR750R	Serial No.	Area code
		4	64217-MR7-300	STRIPE B, R. UPPER COWL	1	1	NZ,U
			64217-MR7-600	STRIPE B, R. UPPER COWL	1	1	AR,B,CM,E,ED,F,FI,G,H,IT
		5	64217-MR7-690	STRIPE B, R. COWL UPPER	1	1	N,SD,SP
							SW
		6	64218-MR7-300	STRIPE B, L. UPPER COWL	1	1	NZ,U
			64218-MR7-600	STRIPE B, L. UPPER COWL	1	1	AR,B,CM,E,ED,F,FI,G,H,IT
		7	64218-MR7-690	STRIPE B, L. COWL UPPER	1	1	N,SD,SP
		8	64219-MR7-300	STRIPE C, R. UPPER COWL	1	1	SW

2-F11

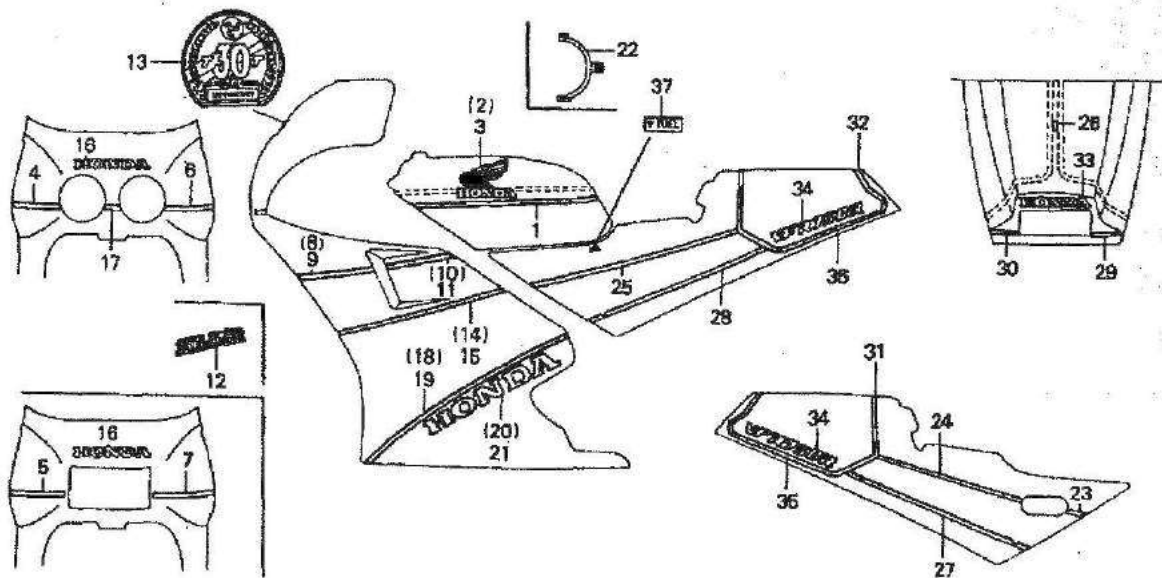
F-34

Stripe • Mark

Rayure • Marque

Streifen • Marke

Franja • Marca



MR73-F5400A

3

Service Item	F.R.T.	Ref. No.	Part No.	Description	Reqd. No.			Serial No.	Area code
					VFR750R	K	L		
		9	64220-MR7-300	STRIPE C, L. UPPER COWL	1	1	1		
		10	64221-MR7-300	STRIPE D, R. UPPER COWL	1	1	1		
		11	64222-MR7-300	STRIPE D, L. UPPER COWL	1	1	1		
		12	64223-MR7-610	MARK B, UPPER COWL	2	2	-	-----	F
		13	64224-KY4-660	MARK, THIRTIETH ANNIVERSARY	-	-	1		
		14	64224-MR7-300	STRIPE E, R. UPPER COWL	1	1	1		
		15	64225-MR7-300	STRIPE E, L. UPPER COWL	1	1	1		
		18	64226-MR7-300	MARK A, UPPER COWL	1	1	1		
		17	64227-MR7-300	STRIPE A, UPPER COWL	1	1	-	-----	NZ,U

2-F12

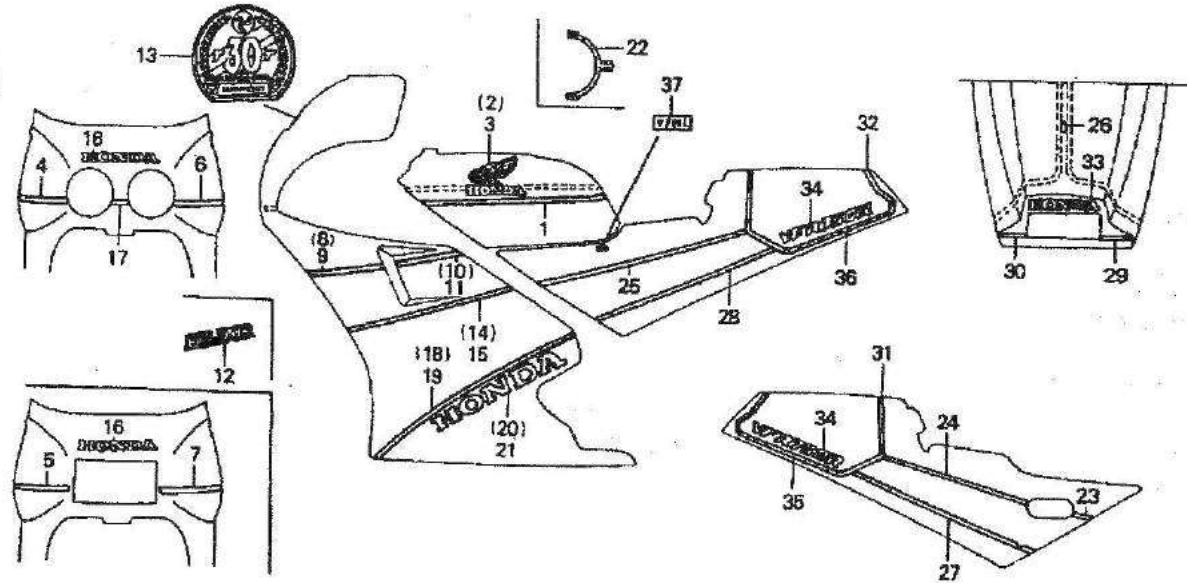
F-34

Stripe • Mark

Rayure • Marque

Streifen • Marke

Franja • Marca



MR73-F3400A

3

Service Item	F.R.T.	Ref. No.	Part No.	Description	Reqd. No. VFR760R	Serial No.	Area code
		17)	64227-MR7-600	STRIPE A, UPPER COWL	1 1 1	-----	AR,B,CM,E,ED,F,FI,G,H,IT N,SD,SP
		18	64271-MR7-300	STRIPE, R. LOWER COWL	1 1 1		
		19	64272-MR7-300	STRIPE, L. LOWER COWL	1 1 1		
		20	64273-MR7-300	MARK, R. LOWER COWL	1 1 1		
		21	64274-MR7-300	MARK, L. LOWER COWL	1 1 1		
		22	64303-MM6-300ZC	CAUTION, FUEL COCK LEVER			
				TYPE5	1 1	-----	CM
		23	77215-MR7-300	STRIPE A, SEAT COWL	1 1 1		
		24	77216-MR7-300	STRIPE B, R. SEAT COWL	1 1 1		
		25	77217-MR7-300	STRIPE B, L. SEAT COWL	1 1 1		
		26	77218-MR7-300	STRIPE C, SEAT COWL	1 1 1		
		27	77219-MR7-300	STRIPE D, R. SEAT COWL	1 1 1		
		28	77220-MR7-300	STRIPE D, L. SEAT COWL	1 1 1		

2-F13

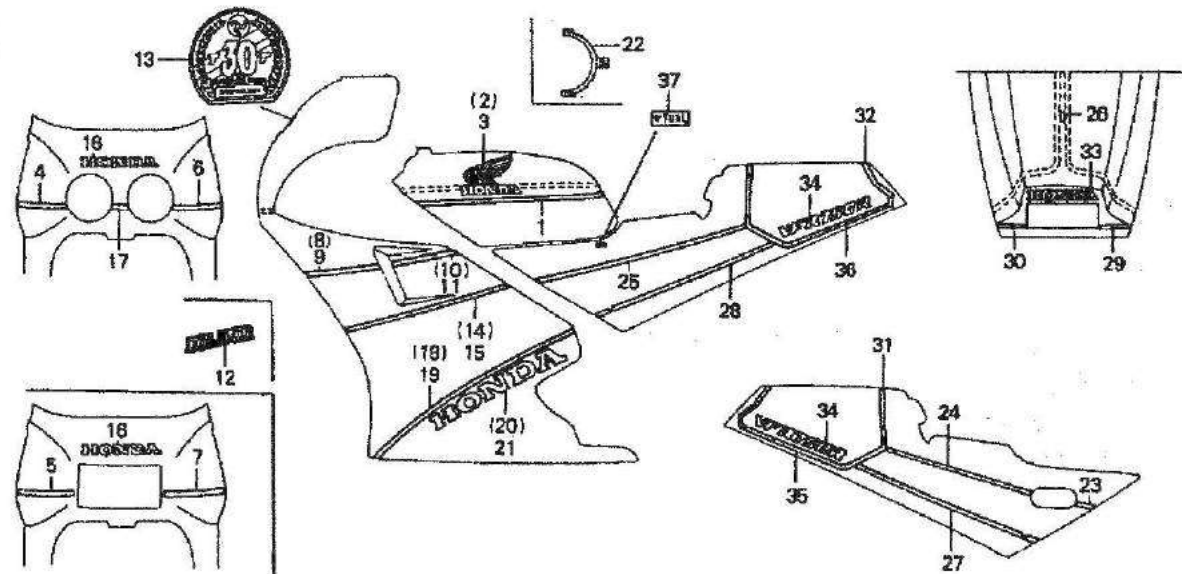
F-34

Stripe • Mark

Rayure • Marque

Streifen • Marke

Franja • Marca



MR73-P5408A

3

Service item	F.R.T.	Ref. No.	Part No.	Description	Read. No.			Serial No.	Area code
					V	K	L		
		29	77221-MR7-300	STRIPE E, R. SEAT COWL	1	1	1		
		30	77222-MR7-300	STRIPE E, L. SEAT COWL	1	1	1		
		31	77224-MR7-300	STRIPE G, R. SEAT COWL	1	1	1		
		32	77225-MR7-300	STRIPE G, L. SEAT COWL	1	1	1		
		33	77226-MR7-300	MARK B. SEAT COWL	1	1	1		
		34	77227-MR7-300	MARK C. SEAT COWL	2	2	2		
		35	77228-MR7-300	STRIPE H, R. SEAT COWL	1	1	1		
		36	77229-MR7-300	STRIPE H, L. SEAT COWL	1	1	1		
		37	83608-MR7-3002A	MARK, FUEL COCK *TYPE1*	1	1	1		AR,B,E,ED,F,FI,G,H,IT,N NZ,SD,SP,SW,U

2-F14

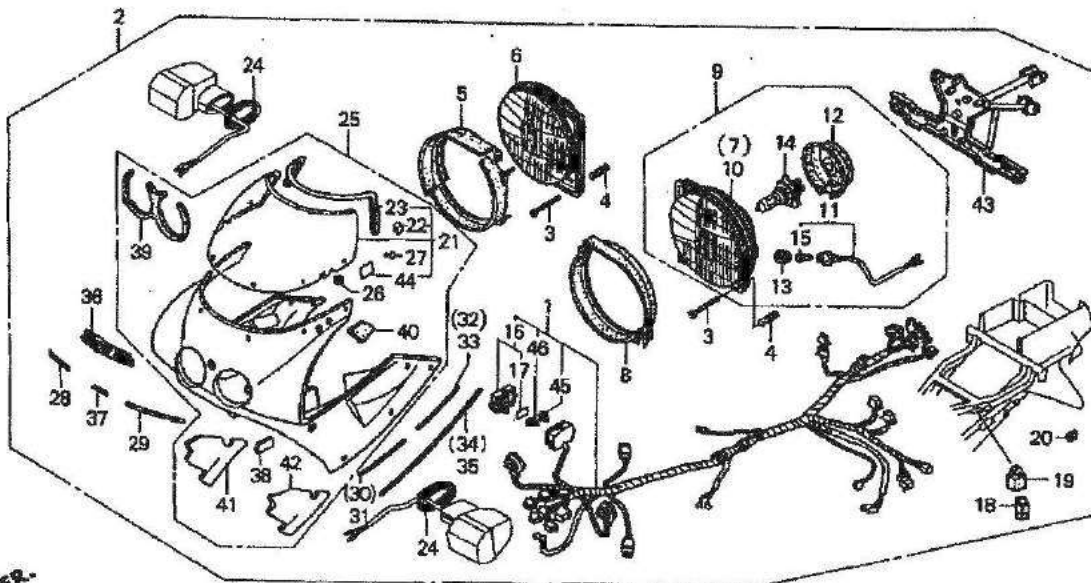
FOP-1

Headlight set
(VFR750RJ,K-SW)

Jeu de phare
(VFR750RJ,K-SW)

Scheinwerfersatz
(VFR750RJ,K-SW)

Juego de faro derant-
ero (VFR750RJ,K-SW)



MR73-V0165

3

Service item	F.R.T.	Ref. No.	Part No.	Description	Reqd. No. VFR760R	Serial No.	Area code
		* 1	32100-MR7-610	HARNES, WIRE	1	1	SW
		* 2	33100-MR7-306ZA	HEADLIGHT SET *NH193PA*	1	1	SW
				PEARL CRYSTAL WHITE-A	1	1	SW
		* 3	33103-MR7-600	SCREW, BEAM ADJUSTING	6	6	SW
		* 4	33108-MJO-000	SPRING, ADJUSTING	6	6	SW
		* 5	33110-MJ6-701	SEAL, R. HEADLIGHT	1	1	SW
		* 6	33110-MR7-611	HEADLIGHT COMP., R.	1	1	SW
		* 7	33111-MR7-611	HEADLIGHT UNIT, R.	1	1	SW
		* 8	33115-MJ6-701	SEAL, L. HEADLIGHT	1	1	SW
		* 9	33160-MR7-611	HEADLIGHT COMP., L.	1	1	SW
		* 10	33151-MR7-811	HEADLIGHT UNIT, L.	1	1	SW
		* 11	33170-MJO-010	SOCKET ASSY., POSITION LIGHT	1	1	SW
		* 12	33180-MJO-010	COVER, RUBBER	2	2	SW

2-F15

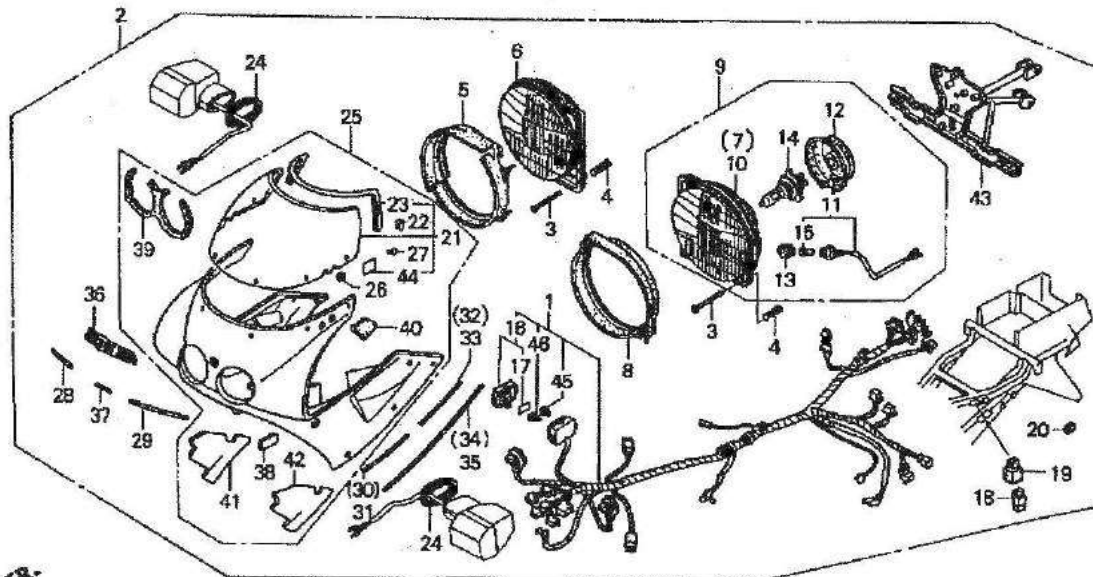
FOP-1

Headlight set
(VFR750RJ,K-SW)

Jeu de phare
(VFR750RJ,K-SW)

Scheinwerfersatz
(VFR750RJ,K-SW)

Juego de faro derant-
ero (VFR750RJ,K-SW)



MR73-Y0100

3

Service Item	F.R.T.	Ref. No.	Part No.	Description	Reqd. No. VFR750R K	Serial No.	Area code
		* 13	33905-371-601	RUBBER, JOINT	1 1	SW
		* 14	34901-MC7-601	BULB, HEADLIGHT (12V 60/55W)	2 2	SW
		* 15	34903-388-611	BULB, POSITION (12V 4W)	1 1	SW
		* 16	38210-MR7-005	COVER, FUSE BOX	1 1	SW
		* 17	38215-MR7-005	LABEL, FUSE	1 1	SW
		* 18	38501-GN2-014	RELAY COMP., STARTER (MITSUBA)	1 1	SW
		* 19	38506-GC7-611	SUSPENSION, STARTER RELAY	1 1	SW
		* 20	50283-MR7-300	RUBBER, SEAT RAIL	1 1	SW
		* 21	64050-MR7-316	SCREEN SET, WIND	1 1	SW
		* 22	64102-MA3-720	CLIP, SCREEN MOULDING	4 4	SW
		* 23	64105-MR7-000	MOULDING, WIND SCREEN	1 1	SW

2-F16

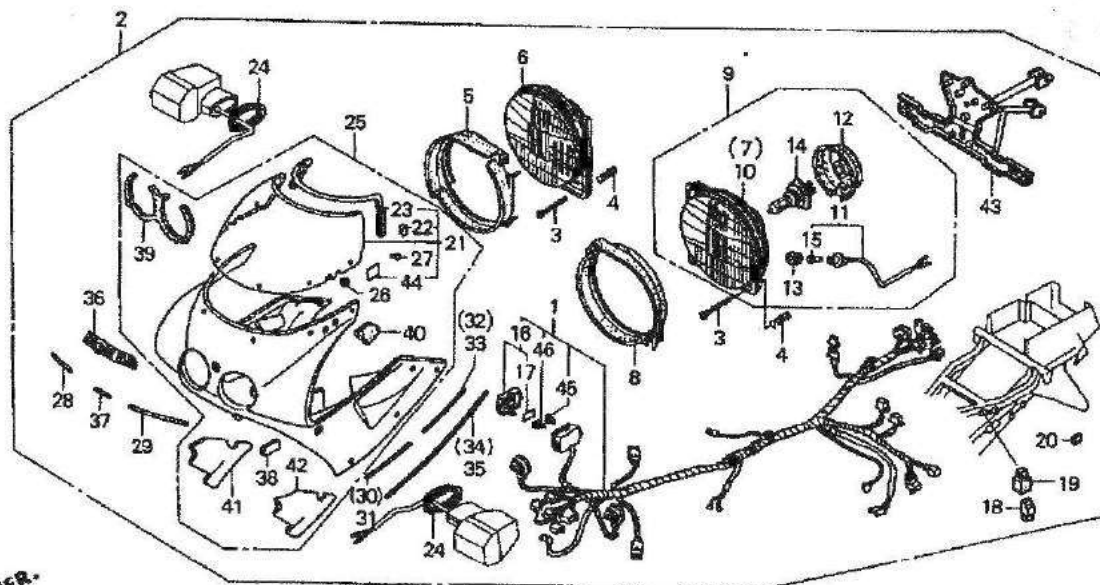
FOP-1

Headlight set
(VFR750RJ,K-SW)

Jeu de phare
(VFR750RJ,K-SW)

Scheinwerfersatz
(VFR750RJ,K-SW)

Juego de faro delantero (VFR750RJ,K-SW)



MR73-70100

3

Service item	F.R.T.	Ref. No.	Part No.	Description	Reqd. No. VFR750R	Serial No.	Area code
		* 24	64138-ML7-600	RUBBER, FR. WINKER	2	2	SW
		* 25	64190-MR7-601ZA	COWL ASSY., UPPER (WL) *NH193PA*			
				PEARL CRYSTAL WHITE-A	1	1	SW
		* 26	64206-MJ0-000	NUT, SPEED, 4MM	6	6	SW
		* 27	64206-ML0-700	PIN, SCREEN SETTING	6	6	SW
		* 28	64217-MR7-600	STRIPE B, R. UPPER COWL	1	1	SW
		* 29	64218-MR7-600	STRIPE B, L. UPPER COWL	1	1	SW
		* 30	64219-MR7-300	STRIPE C, R. UPPER COWL	1	1	SW
		* 31	64220-MR7-300	STRIPE C, L. UPPER COWL	1	1	SW
		* 32	64221-MR7-300	STRIPE D, R. UPPER COWL	1	1	SW

2-G 1

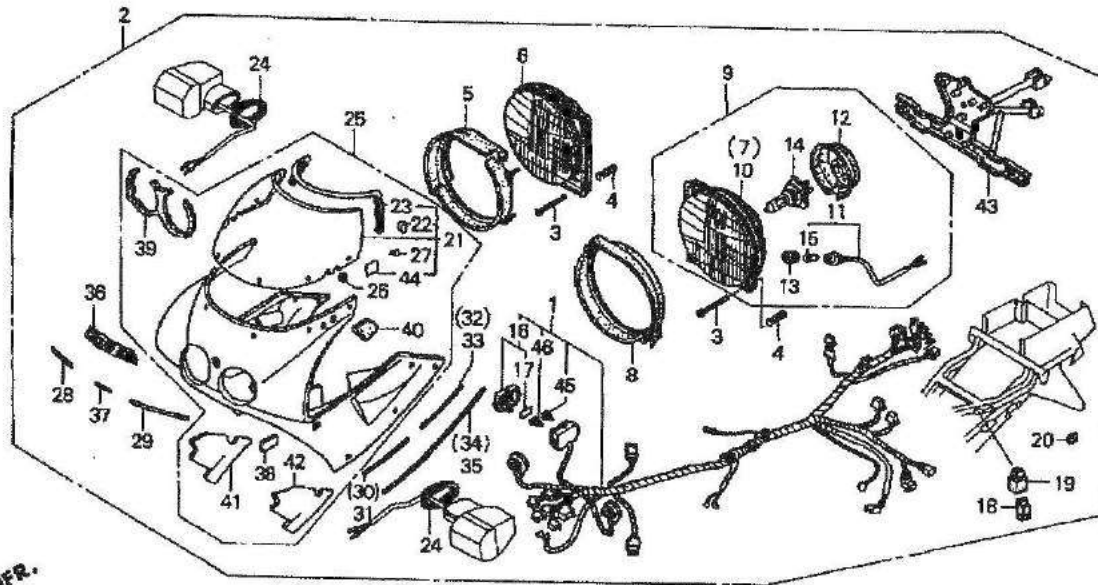
FOP-1

Headlight set
(VFR750RJ,K-SW)

Jeu de phare
(VFR750RJ,K-SW)

Scheinwerfersatz
(VFR750RJ,K-SW)

Juego de faro delantero (VFR750RJ,K-SW)



MR75-Y0100

3

Service item	F.R.T.	Ref. No.	Part No.	Description	Reqd. No. VFR750R	Serial No.	Area code
		* 33	64222-MR7-300	STRIPE D, L. UPPER COWL	1	1	SW
		* 34	64224-MR7-300	STRIPE E, R. UPPER COWL	1	1	SW
		* 35	64225-MR7-300	STRIPE E, L. UPPER COWL	1	1	SW
		* 36	64226-MR7-300	MARK A, UPPER COWL	1	1	SW
		* 37	64227-MR7-600	STRIPE A, UPPER COWL	1	1	SW
		* 38	64233-MR7-300	PROTECTOR, HOSE	2	2	SW
		* 39	64234-MR7-600	SEAL, HEADLIGHT (A)	1	1	SW
		* 40	64235-MR7-300	PROTECTOR, UPPER COWL	1	1	SW
		* 41	64266-MR7-600	MAT, R. UPPER COWL HEAT GUARD	1	1	SW
		* 42	64267-MR7-600	MAT, L. UPPER COWL HEAT GUARD	1	1	SW

2-G 2

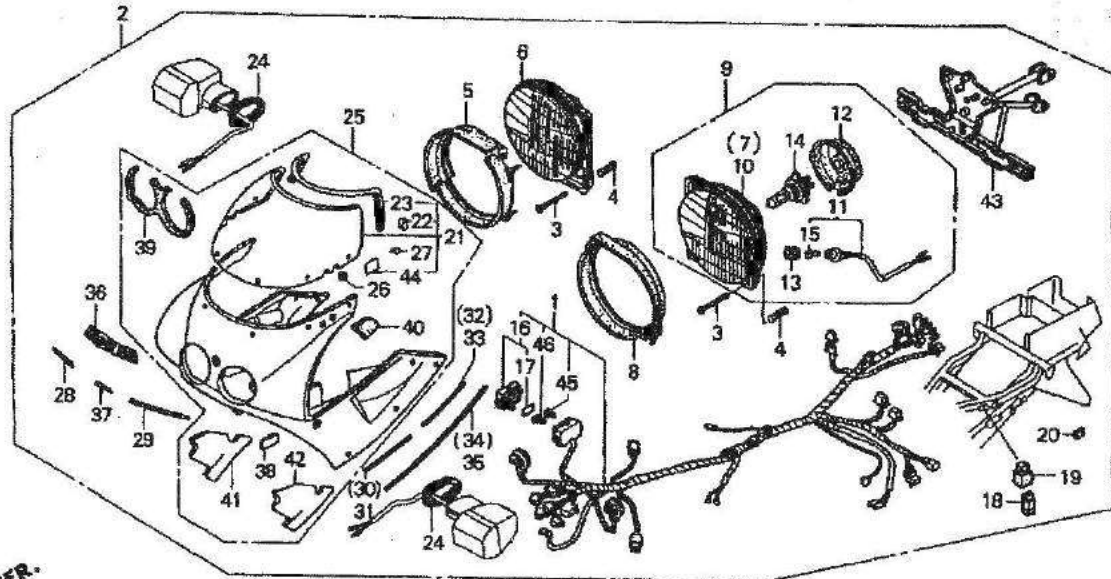
FOP-1

Headlight set
(VFR750RJ,K-SW)

Jeu de phare
(VFR750RJ,K-SW)

Scheinwerfersatz
(VFR750RJ,K-SW)

Juego de faro delanter-
ero (VFR750RJ,K-SW)



MR73-Y0100

3

Service item	F.R.T.	Ref. No.	Part No.	Description	Reqd. No.		Serial No.	Area code
					VFR750R	K		
		* 43	84501-MR7-600	STAY, UPPER COWL MAIN	1	1	SW
		* 44	87522-MT2-300	LABEL, WINDSHIELD	2	2	SW
		* 45	98200-31000	FUSE, BLADE (10A)	5	5	SW
		* 46	98200-32000	FUSE, BLADE (20A)	2	2	SW