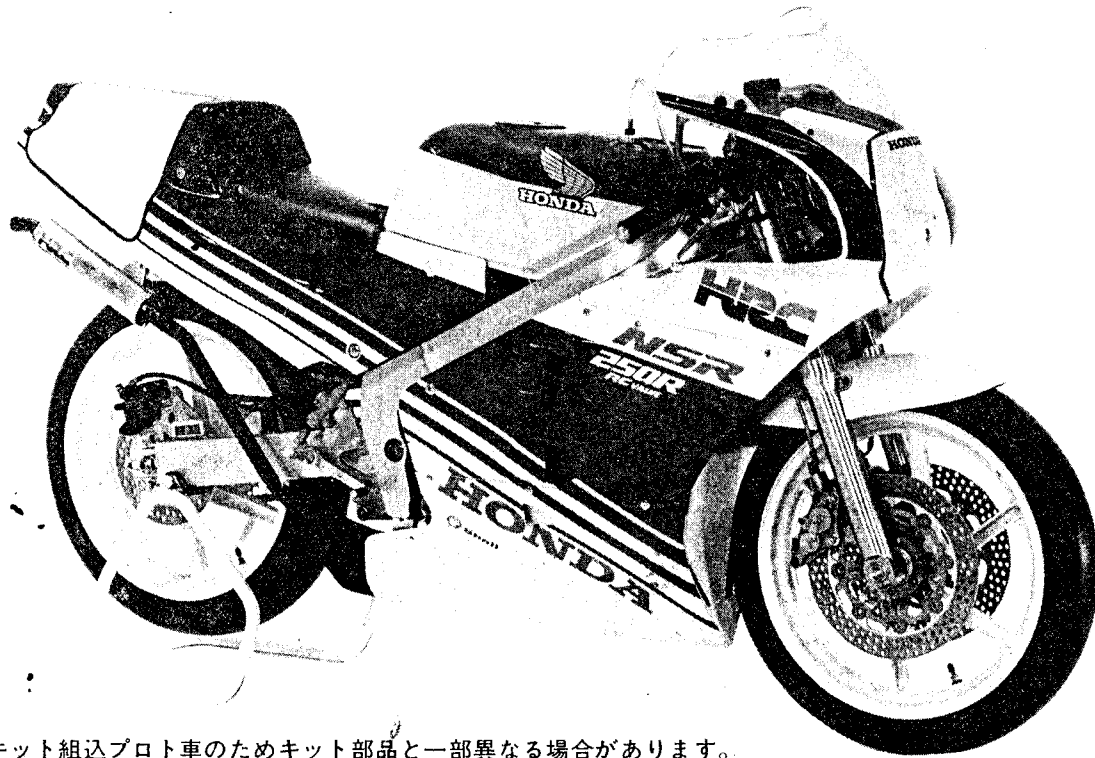


HRC
HONDA RACING

'88 NSR250RK

FORMULA-III KIT PARTS LIST



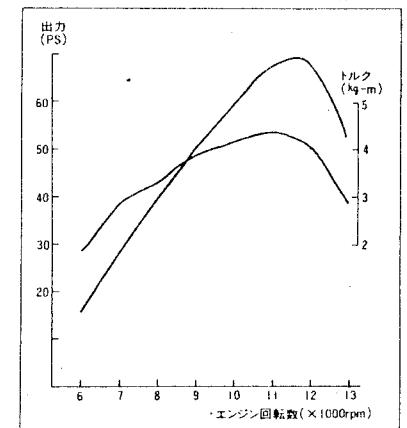
キット組込プロト車のためキット部品と一部異なる場合があります。

- ・このパーツは競技用として製作されたスペシャルパーツです。一般量産車と異なり保証の対象にはなりません。
- ・このパーツを組込みますと運輸省認定車両と異なりますので一般道路での走行はできませんのでご注意ください。記載内容、仕様等は車両の改良のため、予告なく変更する場合があります。あらかじめご了承下さい。
- ・HRCクレバーピープルシリーズ第1弾「BASIC TECHNOLOGY from HRC」としてレーシングマシンに改造するポイント、キットパーツ取付上特に重要な点やF-3レースに参加していくうえで不可欠な知識を盛り込んだ小冊子(価格1,300円+送料240円)を発売しております。尚、商品に関するお問合せはHRC営業・サービスグループ0484-77-9538まで。FAX. 0484-77-6361
- ※SPフォミュラのパーツも表示してあります。

エンジン主要諸元

・排気量	249
・内径×行程	54.0×54.5mm
・圧縮比	7.8 : 1
・最高出力	68ps以上/11,750rpm
・最大トルク	4.2kg-m以上/11,000rpm
・ミッション変速比 I	2.235 (38/17)
II	1.619 (34/21)
III	1.333 (32/24)
IV	1.154 (30/26)
V	1.074 (29/27)
VI	1.000 (28/28)

'88-NSR250RK エンジン性能曲線



※Ref.No.の左側に

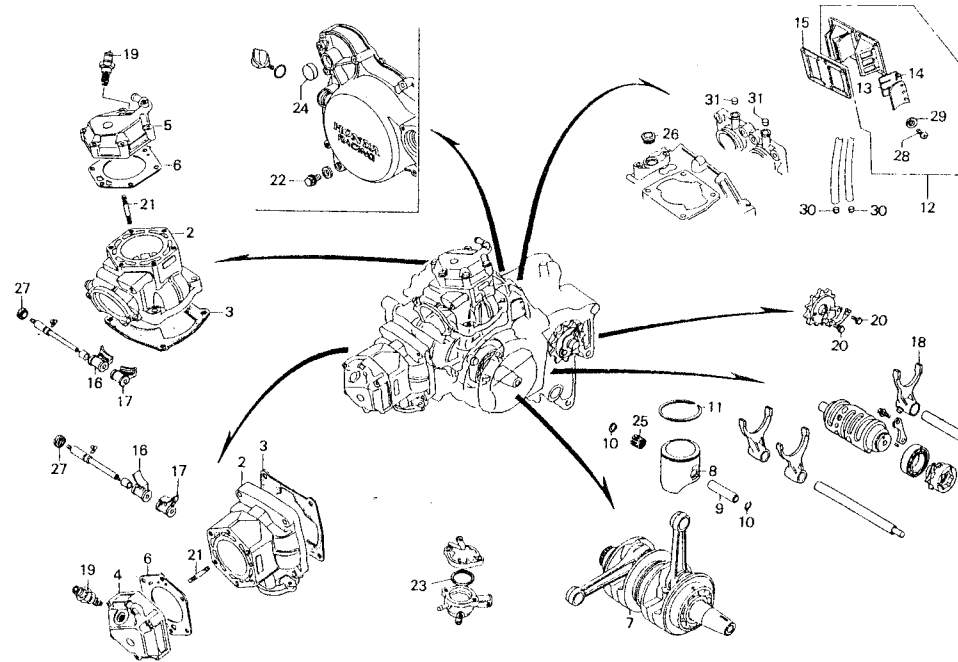
- ・印のついている部品はHRC専用部品です。HRCサービスショップにご注文するか又は、お買い求めのHRC販売店にご相談下さい。
- ・印のついていない部品は本田技研工業(株)の量産部品を流用しています。HRCサービスショップまたは最寄りのホンダ二輪販売店でお求め下さい。

※使用個数に()がつけられている部品は構成部品又はオプション部品です。
 ※使用個数が「N」と示されている部品は必要に応じて選択して使用する部品です。
 〒352 埼玉県新座市野火止8-18-4 (株)ホンダ・レーシング TEL.0484-77-9538

F-III KIT ASSY.

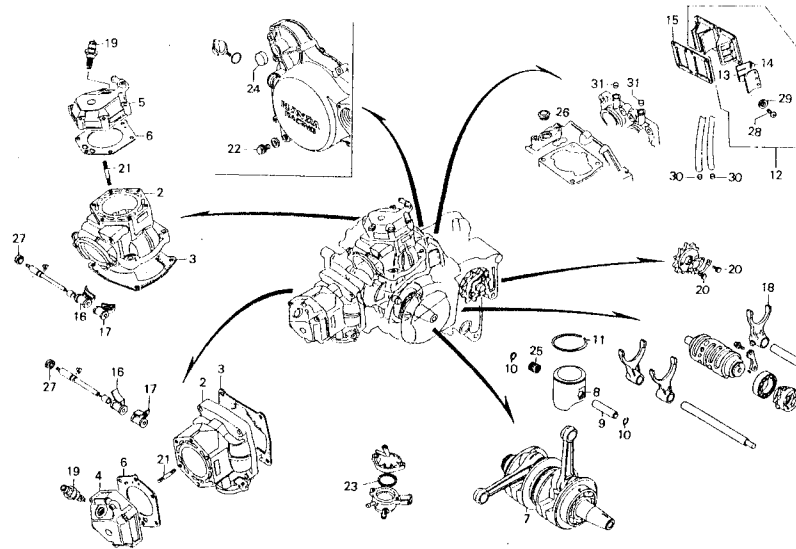
※F-3KIT ASSY. お求めの際

1. オプションパーツのリヤークッションセットを同時にお求めになることをおすすめします。
エキゾーストチャンバーがKV3(ベース車)のクッションのままでは、干渉する為。
2. エレクトリックセットのACG取付の為、クランクケースに機械加工が必要です。



Ref. No.	Parts No.	Description	Reqd. No.			Price (¥)	Ref. No.	Parts No.	Description	Reqd. No.			Price (¥)
			完成車	ノービス F-III	SP-F					完成車	ノービス F-III	SP-F	
•	06110-NH3-900	F-III KIT ASSY.	—	1	—	595,000	•	2 12101-NH3-900	CYLINDER	2	2	—	55,000
•	1-1 06120-NH3-010	TRANSMISSION KIT ASSY.	—	1	—	108,300	•	3 12191-NF5-750	GASKET, cylinder (0.4)	(2)	(2)	—	190
•	1-2 06160-NH3-910	CARB. SETTING KIT ASSY.	—	1	—	6,000	•	12192-KV3-000	GASKET, cylinder (0.5)	2	2	—	110
•	1-3 06180-NH3-900	EXH. CHAMBER SET	—	1	—	120,000	•	12193-NF5-750	GASKET, cylinder (0.6)	(2)	(2)	—	190
•	1-4 06320-NH3-900	METER SET	—	1	—	21,800	•	4 12210-NH3-900	HEAD, cylinder front	1	1	—	7,000
•	1-5 06330-NH3-900	ELECTRIC SET	—	1	—	105,000	•	5 12220-NH3-900	HEAD, cylinder rear	1	1	—	7,000

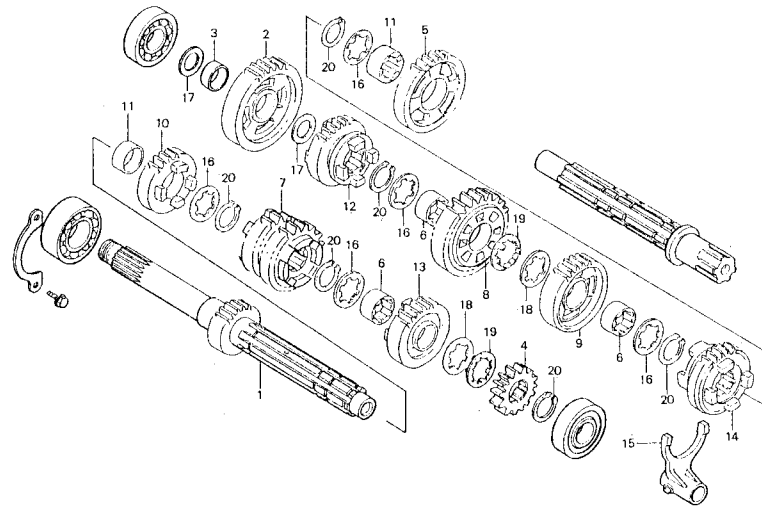
F-III KIT ASSY.



Ref. No.	Parts No.	Description	Reqd. No.			Price (¥)	Ref. No.	Parts No.	Description	Reqd. No.			Price (¥)
			完成車	ノービス F-III	SP-F					完成車	ノービス F-III	SP-F	
6	12251-KV3-701	GASKET, cylinder head	2	2	—	500	24	90871-733-003	PLUG, seal, 28	1	1	1	155
• 7	13000-NF5-750	SHAFT COMP., crank	1	1	—	61,000	• 25	91008-NF4-751	BEARING, connecting rod S-end	2	2	—	700
• 8	13100-NF5-750	PISTON COMP.	2	2	—	4,800	• 26	91201-NH3-003	PLUG, seal, 20	—	1	1	830
• 9	13111-NH3-000	PIN, piston	2	2	—	500	27	91201-PA9-003	OIL-SEAL, 9 x 18 x 7	2	2	—	150
10	13112-ML0-720	CLIP, piston pin, 14 mm	4	4	—	55	28	93500-03008-0H	SCREW, pan, 3 x 8	12	12	—	10
• 11	13121-NF4-751	RING, piston	2	2	—	1,260	29	94111-03800	WASHER, spring, 3 mm	12	12	—	10
• 12	14100-NF5-750	REED VALVE, ASSY.	2	2	—	5,100	30	96205-03005	PLUG, connecting type, 3 x 5	—	4	4	10
• 13	14111-NF5-750	REED VALVE, only	4	4	—	350	31	96205-12012	PLUG, connecting type, 12 x 12	2	2	2	10
• 14	14123-NF5-750	SPACER, reed valve	4	4	—	300							
• 15	14132-NF5-750	GASKET, reed valve	2	2	—	150							
• 16	14205-NH3-900	VALVE, flap, R.	2	2	—	2,900							
• 17	14206-NH3-900	VALVE, flap, L.	2	2	—	2,900							
18	24212-KV3-000	FORK, C. gear shift	1	1	—	2,300							
• 19	31920-ND5-003	SPARK, plug (compact) 9.5	(2)	(2)	2	2,500							
• 31930-ND5-003	SPARK, plug (compact) 10.0	2	2	2	2,500								
• 31940-ND5-003	SPARK, plug (compact) 10.5	(2)	(2)	2	2,500								
• 20	90001-NH3-000	BOLT, hex special, 6 x 12	2	2	2	450							
21	90032-KV3-000	BOLT, B. cylinder stud	12	12	—	75							
• 22	90081-NF5-000	BOLT, drain, 10 mm	1	1	1	120							
• 23	90401-NH3-000	WASHER, thermostat	1	1	1	300							

F-III KIT ASSY.

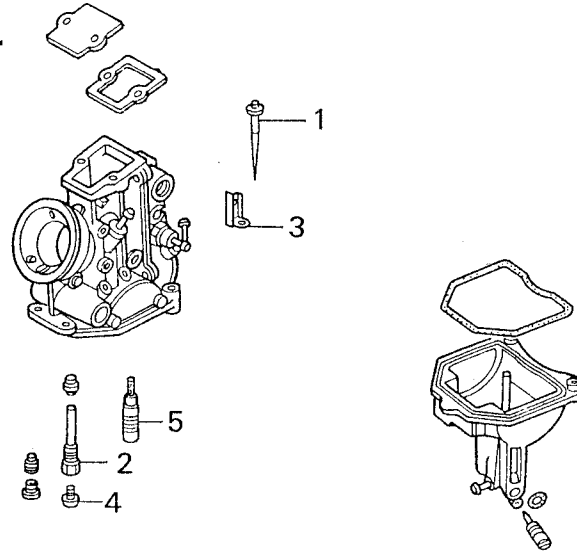
1-1 TRANSMISSION KIT ASSY.



Ref. No.	Parts No.	Description	Reqd. No.			Price (¥)	Ref. No.	Parts No.	Description	Reqd. No.			Price (¥)
			完成車	ノービス F-III	SP-F					完成車	ノービス F-III	SP-F	
• 1-1	06120-NH3-010	TRANSMISSION KIT ASSY.	1	1	—	108,300	•	23461-ND5-861	GEAR, C-3 plan-2 (32T)	(1)	(1)	9,400	
• 1	23210-NH3-000	SHAFT COMP., main (17T)	(1)	1	—	9,800	• 9	23481-NF5-000	GEAR, C-4 (30T)	1	1	9,500	
•	23210-NH3-810	SHAFT COMP., plan-2 (18T)	(1)	(1)	—	9,800	•	23481-NF5-810	GEAR, C-4 plan-2 (30T)	(1)	(1)	9,500	
•	23210-NH3-900	SHAFT COMP., main (17T) (ドライブクラッチ装着用).....	1	(1)	—	9,800	• 10	23491-NF5-000	GEAR, M-5 (27T)	1	1	8,800	
•	23210-NH3-930	SHAFT COMP., main (18T) (ドライブクラッチ装着用).....	(1)	(1)	—	9,800	•	23491-NF5-810	GEAR, M-5 plan-2 (27T)	(1)	(1)	8,800	
• 2	23421-NF5-000	GEAR, C-1 (38T)	1	1	—	9,900	11	23495-KV3-000	COLLAR, 25 x 28 x 9.5	—	2	450	
•	23421-NF5-810	GEAR, C-1 plan-2 (38T)	(1)	(1)	—	9,900		23495-KV3-700	COLLAR, 25 x 28 x 9.5	2	—	450	
3	23422-KV3-700	COLLAR, 20 x 23 x 12	1	1	—	480	• 12	23501-NF5-000	GEAR, C-5 (29T)	1	1	12,500	
• 4	23431-NF5-000	GEAR, M-2 (21T)	1	1	—	3,800	•	23501-NF5-810	GEAR, C-5 plan-2 (28T)	(1)	(1)	12,500	
•	23431-NF5-810	GEAR, M-2 plan-2 (21T)	(1)	(1)	—	3,800	• 13	23511-NF5-000	GEAR, M-6 (28T)	1	1	8,800	
•	23431-NF5-820	GEAR, M-2 plan-3 (20T)	(1)	(1)	—	3,800	•	23511-NF5-810	GEAR, M-6 plan-2 (29T)	(1)	(1)	8,800	
• 5	23441-NF5-000	GEAR, C-2 (34T)	1	1	—	9,800	• 14	23521-NF5-000	GEAR, C-6 (28T)	1	1	12,400	
•	23441-NF5-810	GEAR, C-2 plan-2 (35T)	(1)	(1)	—	9,800	•	23521-NF5-810	GEAR, C-6 plan-2 (28T)	(1)	(1)	12,400	
•	23441-NF5-820	GEAR, C-2 plan-3 (35T)	(1)	(1)	—	9,800	• 15	24213-NF5-750	FORK, L. gear shift	1	1	2,400	
6	23442-KV3-000	COLLAR, spline 25 x 10.5	3	3	—	540	16	90451-KE8-000	WASHER, spline, 25	5	5	100	
• 7	23451-NF5-000	GEAR, M-3, M-4 (24T, 26T)	1	1	—	12,500	17	90454-428-000	WASHER, thrust, 20 mm	2	2	100	
•	23451-NF5-810	GEAR, M-3, M-4 plan-2 (23T, 25T)	(1)	(1)	—	12,500	18	90461-286-000	WASHER, B. thrust, 25 mm	2	2	110	
•	23451-NF5-820	GEAR, M-3, M-4 plan-1, 2 (24T, 25T)	(1)	(1)	—	12,500	19	90462-323-000	WASHER, lock, 25 mm	2	2	100	
• 8	23461-ND5-751	GEAR, C-3 (32T)	1	1	—	9,400	20	90601-107-000	CIRCLIP, 25 mm	6	6	90	

F-III KIT ASSY.

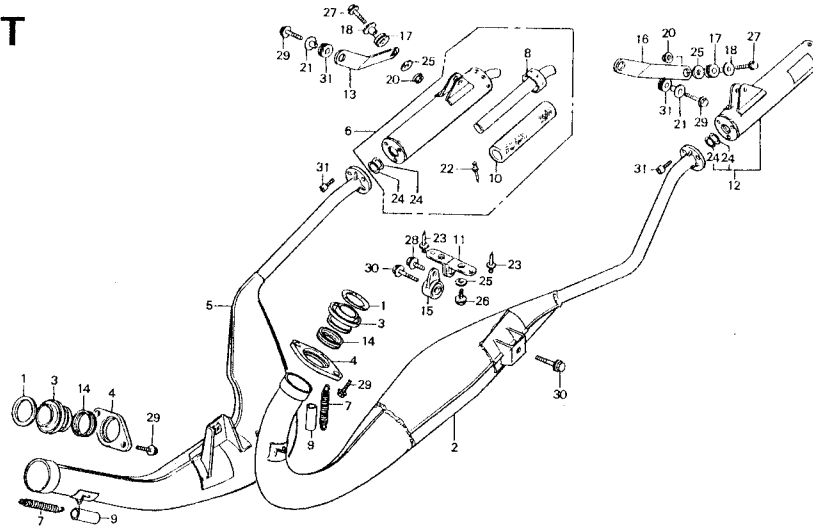
1-2 CARB. SETTING KIT ASSY.



Ref. No.	Parts No.	Description	Reqd. No.			Price (¥)	Ref. No.	Parts No.	Description	Reqd. No.			Price (¥)
			完成車	ノービス F-III	SP-F					完成車	ノービス F-III	SP-F	
• 1-2	06160-NH3-900	CARB. SETTING KIT ASSY.	1	1	1	6,000							
• 1	16201-NH3-911	NEEDLE SET, jet, J06D ø2.725	2	2	2	1,200							
•	16202-NH3-911	NEEDLE SET, jet, J06C ø2.715	(2)	2	2	1,200							
•	16203-NH3-911	NEEDLE SET, jet, J06E ø2.735	(2)	2	2	1,200							
• 2	16165-NH3-911	HOLDER, needle jet	2	2	2	1,000							
• 3	16186-NH3-911	SET PLATE COMP.	2	2	2	500							
4	99101-393-1650	JET, main #165	(2)	(2)	(2)	220							
	99101-393-1680	JET, main #168	(2)	(2)	(2)	220							
	99101-393-1700	JET, main #170	(2)	(2)	(2)	220							
	99101-393-1720	JET, main #172	(2)	(2)	(2)	220							
	99101-393-1750	JET, main #175	(2)	2	2	220							
	99101-393-1780	JET, main #178	(2)	2	2	220							
	99101-393-1800	JET, main #180	(2)	2	2	220							
	99101-393-1850	JET, main #185	(2)	2	2	220							
	99101-393-1900	JET, main #190	2	2	2	220							
	99101-393-1950	JET, main #195	(2)	2	2	220							
5	99103-420-0380	JET, slow #38	(2)	2	2	330							
	99103-420-0400	JET, slow #40	2	2	2	330							
	99103-420-0420	JET, slow #42	(2)	2	2	330							

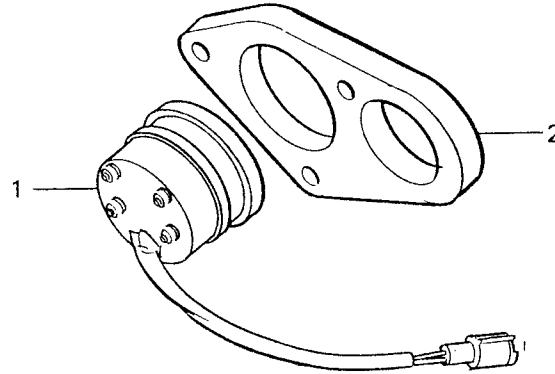
F-III KIT ASSY. <FRAME>

1-3 EXH. CHAMBER SET



Ref. No.	Parts No.	Description	Reqd. No.			Price (¥)	Ref. No.	Parts No.	Description	Reqd. No.			Price (¥)
			完成車	ノービス F-III	SP-F					完成車	ノービス F-III	SP-F	
• 1-3	06180-NH3-900	EXH. CHAMBER SET	1	1	—	120,000	19	80152-958-680	RUBBER, rear fender	2	2	—	110
1	18293-KV3-004	SPRING, A. exhaust pipe	2	(2)	—	950	20	90301-473-003	NUT, U. 6 mm	2	2	—	145
• 2	18310-NH3-900	CHAMBER COMP., exhaust No.1	1	1	—	45,000	21	90370-SC3-960	COLLAR	2	2	—	120
• 3	18311-NH3-900	COLLAR, exhaust chamber	2	2	—	3,000	• 22	91081-NF4-003	RIVET, blind, 3.2	16	16	—	10
• 4	18312-NH3-000	FLANGE, exhaust chamber	2	2	—	1,100	• 23	91083-NH3-900	RIVET, 4.8 x 10.8	2	2	—	100
• 5	18320-NH3-900	CHAMBER COMP., exhaust No.2	1	1	—	45,000	24	91301-KR3-003	O-RING, 25.5 x 2.5	4	4	—	105
• 6	18330-NH3-900	SILENCER ASSY., R.	1	1	—	10,000	25	94103-06000	WASHER, plain, 6 mm	4	4	—	120
7	18332-KS6-000	SPRING, exhaust pipe	4	4	—	225	26	95701-06016-00	BOLT, flange, 6 x 16	2	2	—	20
• 8	18332-NF4-810	INNER COMP., silencer	2	2	—	3,500	27	95701-06028-00	BOLT, flange, 6 x 28	2	2	—	25
• 9	18333-ND4-760	TUBE, spring	4	4	—	450	28	95701-08014-00	BOLT, flange, 8 x 14	1	1	—	25
• 10	18335-NF4-003	GLASS WOOL	2	2	—	1,100	29	95701-08025-00	BOLT, flange, 8 x 25	6	6	—	35
• 11	18335-NH3-900	BRKT, exhaust chamber	1	1	—	1,000	30	95701-08028-00	BOLT, flange, 8 x 28	2	2	—	35
• 12	18340-NH3-900	SILENCER ASSY., L.	1	1	—	10,000	31	96700-06016-07	BOLT, socket, 6 x 16	6	6	—	25
• 13	18355-NH3-900	STAY, R. silencer	1	1	—	600							
• 14	18359-KS7-000	SEAL, exhaust manifold	2	2	—	285							
• 15	18359-961-000	STAY ASSY., muffler	1	1	—	1,200							
• 16	18365-NH3-900	STAY, L. silencer	1	1	—	600							
17	19051-KA3-830	RUBBER, radiator mount	2	2	—	95							
18	19052-KA3-830	COLLAR, radiator mount	2	2	—	140							

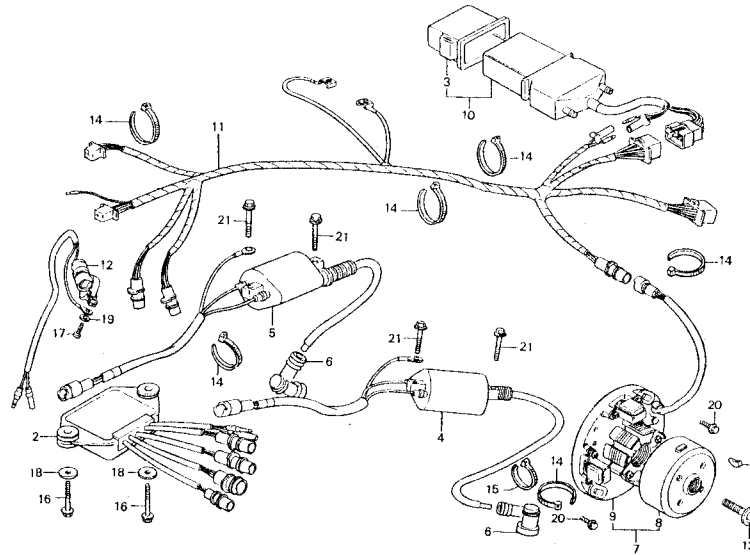
F-III KIT ASSY.
1-4 METER SET



Ref. No.	Parts No.	Description	Reqd. No.			Price (¥)	Ref. No.	Parts No.	Description	Reqd. No.			Price (¥)
			完成車	ノービス F-III	SP-F					完成車	ノービス F-III	SP-F	
• 1-4	06320-NH3-900	METER SET	1	1	—	21,800							
• 1	37250-NF4-008	TACHOMETER ASSY.	1	1	—	21,000							
• 2	50815-NF4-000	PANEL, meter	1	1	—	800							

F-III KIT ASSY.

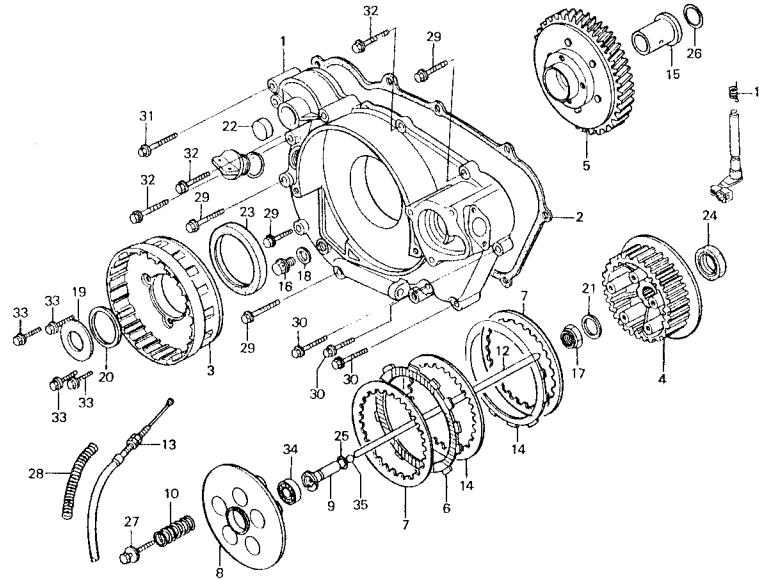
1-5 ELECTRIC SET



Ref. No.	Parts No.	Description	Reqd. No.			Price (¥)	Ref. No.	Parts No.	Description	Reqd. No.			Price (¥)
			完成車	ノービス F-III	SP-F					完成車	ノービス F-III	SP-F	
• 1-5	06330-NH3-900	ELECTRIC SET	1	1	—	105,000	19	94111-04000	WASHER, spring, 4 mm	1	1	—	10
• 1	13332-NF5-000	KEY, woodruff special	1	1	—	200	20	95801-06025-08	BOLT, flange, 6 x 25	2	2	—	25
• 2	30400-NF5-003	UNIT ASSY., CDI	1	1	—	36,000	21	96001-06020-00	BOLT, flange, SH, 6 x 20	4	4	—	25
• 3	30405-MN4-000	SUSPENSION, spark unit	1	1	—	470	<p>クランクケース追加加工図</p>						
• 4	30510-NH3-900	COIL COMP., ignition A.	1	1	—	4,200							
• 5	30520-NH3-900	COIL COMP., ignition B.	1	1	—	4,200							
• 6	30700-ND5-751	CAP ASSY., noise (suppressor)	2	2	—	1,080							
• 7	31100-NF5-751	AC GEN ASSY.	1	1	—	40,000							
• 8	31110-NF5-751	FLY WHEEL COMP.	1	1	—	21,000							
• 9	31120-NF5-751	STATOR COMP.	1	1	—	20,000							
• 10	31800-NH3-900	UNIT ASSY., RC. valve control	1	1	—	18,100							
• 11	32100-NH3-900	HARNESS, wire	1	1	—	2,600							
• 12	35130-ND4-750	SWITCH ASSY., kill	1	1	—	1,100							
• 13	90002-KM4-010	BOLT, flange, 10 x 30	1	1	—	105							
• 14	90651-NC8-000	TY-LAP, 3.6 x 281	11	11	—	100							
• 15	90652-ND5-000	TY-LAP, 2.4 x 92	1	1	—	60							
• 16	92101-06028-0A	BOLT, hex., 6 x 28	2	2	—	20							
• 17	93500-04012-0A	SCREW, pan, 4 x 12	1	1	—	10							
• 18	94103-06800	WASHER, plain, 6 mm	2	2	—	10							

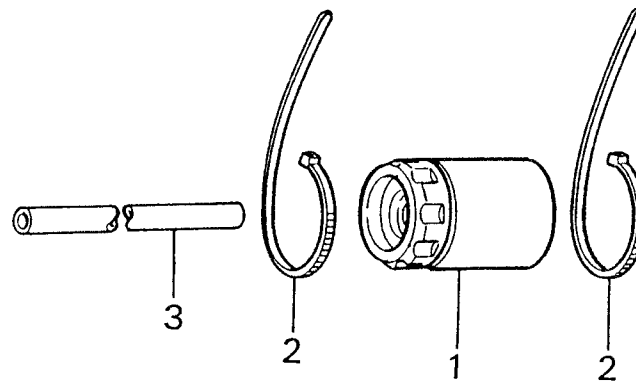
•OPTIONAL PARTS <ENGINE>

1. DRY CLUTCH KIT



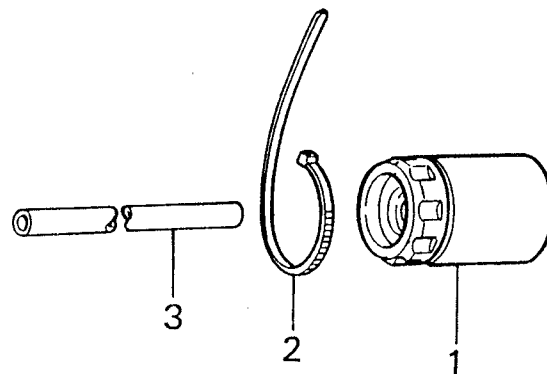
Ref. No.	Parts No.	Description	Reqd. No.			Price (¥)	Ref. No.	Parts No.	Description	Reqd. No.			Price (¥)	
			完成車	ノービス F-III	SP-F					完成車	ノービス F-III	SP-F		
•	06220-NH3-900	DRY CLUTCH KIT	1	1	—	55,000	• 19	90422-NH3-910	WASHER, thrust, 22 x 44	1	1	—	1,000	
•	1	11331-NH3-910	COVER, R. crankcase	1	1	—	12,000	• 20	90423-NH3-910	WASHER, thrust, 38 x 44 x 1.5	1	1	—	1,000
•	2	11391-KV3-700	GASKET, R. cover	1	1	—	340	21	90432-121-000	WASHER, lock	1	—	—	125
•	3	22101-NH3-910	OUTER, clutch	1	1	—	15,800	22	90871-733-003	PLUG, seal, 28	1	1	—	155
•	4	22120-NH3-910	CENTER, clutch	1	1	—	3,000	• 23	91204-NH3-910	OIL-SEAL, 68 x 48 x 8	1	1	—	340
•	5	22130-NH3-910	GEAR COMP., primary driven	1	1	—	8,000	24	91207-430-003	OIL-SEAL, 28 x 40 x 8	1	1	—	650
•	6	22201-NH3-910	DISK, clutch friction	6	6	—	1,300	• 25	91302-NH3-910	O-RING	1	1	—	100
•	7	22321-NH3-910	PLATE, clutch	2	2	—	1,800	26	91361-ME5-003	O-RING, 18 x 1.9	1	1	—	90
•	8	22351-NH3-910	PLATE, clutch pressure	1	1	—	1,800	27	93494-06020-08	BOLT, washer, 6 x 20	5	—	—	20
•	9	22352-NH3-910	PIECE, clutch lifter	1	1	—	2,100	28	95014-73100	SPRING, A. brake rod	2	2	—	35
•	10	22401-MB0-000	SPRING, clutch	5	5	—	140	29	95701-06032-00	BOLT, flange, 6 x 32	4	—	—	25
•	11	22815-NF5-000	SPRING, clutch lifter	1	1	—	650	30	95701-06040-00	BOLT, flange, 6 x 40	3	—	—	25
•	12	22851-NH3-910	ROD, clutch lifter	1	1	—	1,000	31	95701-06055-00	BOLT, flange, 6 x 55	1	—	—	35
•	13	22870-NH3-900	CABLE COMP., clutch	1	1	—	1,200	32	95701-06060-00	BOLT, flange, 6 x 60	4	1	—	35
•	14	23311-200-000	PLATE, B. clutch	5	5	—	360	33	95801-06012-08	BOLT, flange, 6 x 12	4	—	—	20
•	15	28242-NH3-910	COLLAR, 22 x 28	1	1	—	500	34	96150-60010-10	BEARING, ball radial 6001	1	1	—	500
•	16	90081-NF5-000	BOLT, drain 10 mm	1	—	—	120	35	96211-08000	BALL, steel, 8	1	1	—	15
•	17	90241-KM9-000	NUT, lock, 20 mm	1	—	—	265							
•	18	90403-438-003	WASHER, sealing, 10 mm	1	—	—	155							

•OPTIONAL PARTS <FRAME>
 1. PARTS KIT FUEL CATCH



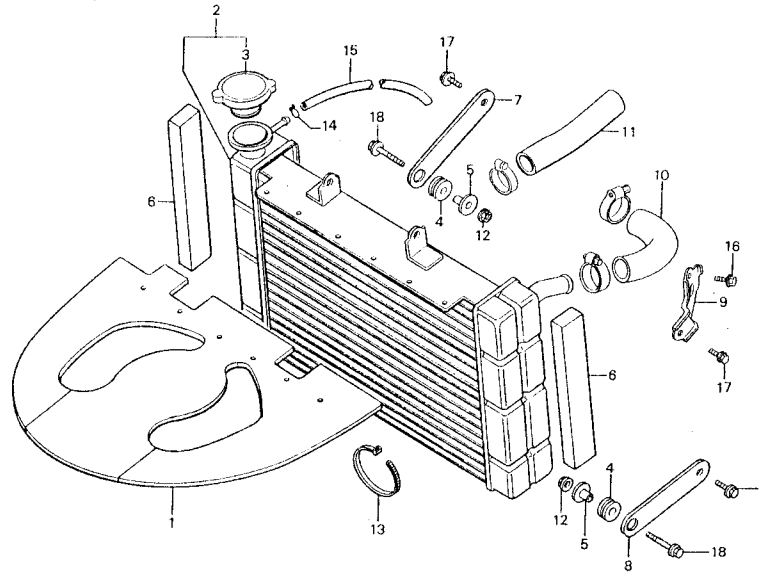
Ref. No.	Parts No.	Description	Reqd. No.			Price (¥)	Ref. No.	Parts No.	Description	Reqd. No.			Price (¥)
			完成車	ノービス F-III	SP-F					完成車	ノービス F-III	SP-F	
	06150-NH3-900	PARTS KIT FUEL CATCH	1	1	1	850							
• 1	19602-NF4-810	TANK CATCH 250	1	1	1	500							
• 2	90651-NC8-000	TY-LAP, 3.6 x 281	3	3	3	100							
• 3	95003-10070-31	V-TUBE, 5 x 8 x 700	1	1	1	50							

•OPTIONAL PARTS <FRAME>
2. TANK SET OIL CATCH

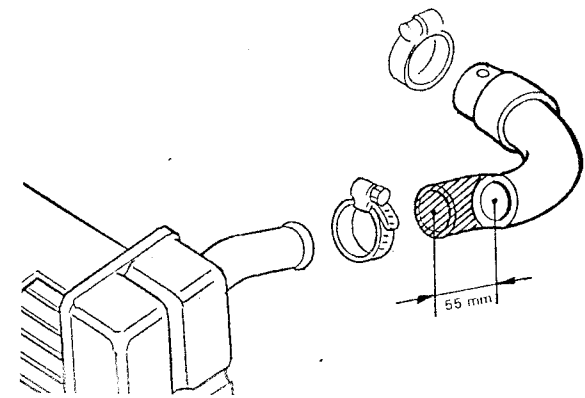


Ref. No.	Parts No.	Description	Reqd. No.			Price (¥)	Ref. No.	Parts No.	Description	Reqd. No.			Price (¥)
			完成車	ノービス F-III	SP-F					完成車	ノービス F-III	SP-F	
•	06170-NH3-900	TANK SET OIL CATCH	1	1	1	650							
•	1 19602-NF4-810	TANK CATCH 250	1	1	1	500							
•	2 90651-NC8-000	TY-LAP, 3.6 x 281	1	1	1	100							
	3 95003-10050-31	V-TUBE, 5 x 8 x 500	1	1	1	50							

•OPTIONAL PARTS <FRAME>
3. RADIATOR SET

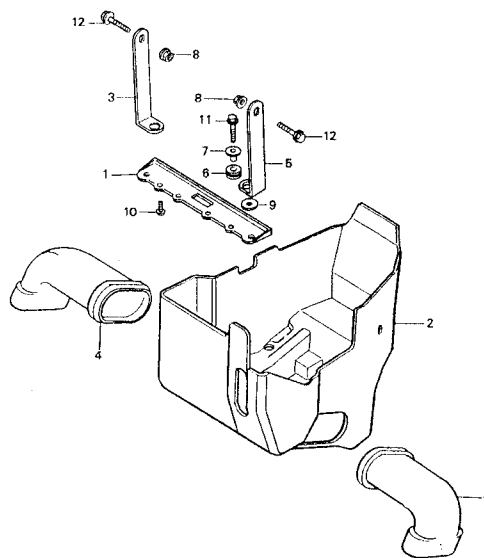


Ref. No.	Parts No.	Description	Reqd. No.			Price (¥)	Ref. No.	Parts No.	Description	Reqd. No.			Price (¥)
			完成車	ノービス F-III	SP-F					完成車	ノービス F-III	SP-F	
•	06190-NH3-900	RADIATOR SET	1	1	1	41,000			*Ref. No. 10 のアッパーラジエーターホースはベース車のホースをカットして使用して下さい。				
•	1 17260-NH3-900	COVER, upper radiator	1	1	1	3,500							
•	2 19010-NH3-901	RADIATOR ASSY.	1	1	1	35,600							
•	3 19045-ML0-901	CAP COMP.	1	1	1	1,050							
•	4 19051-KA3-830	RUBBER, radiator mount	2	2	2	95							
•	5 19052-KA3-830	COLLAR, radiator mount	2	2	2	140							
•	6 19112-NH3-000	SPONGE, radiator	1	1	1	200							
•	7 19115-NH3-900	STAY, R. radiator lower	1	1	1	400							
•	8 19116-NH3-900	STAY, L. radiator lower	1	1	1	400							
•	9 19320-NH3-900	STAY, thermo case	1	1	1	1,100							
•	10	HOSE, upper radiator	—	—	—	600							
•	11 19507-NH3-900	HOSE, lower radiator	1	1	1	600							
•	12 90301-473-003	NUT, U. 6 mm	2	2	2	145							
•	13 90651-NC8-000	TY-LAP, 3.6 x 281	3	3	3	100							
•	14 95002-02080	CLIP, B8 tube	1	—	—	15							
•	15 95003-14040-10	V-TUBE, 6 x 9 x 400	1	—	—	50							
•	16 95701-06012-00	BOLT, flange, 6 x 12	1	1	1	20							
•	17 95701-06016-00	BOLT, flange, 6 x 16	3	3	3	20							
•	18 95801-06025-00	BOLT, flange, 6 x 25	2	2	2	25							



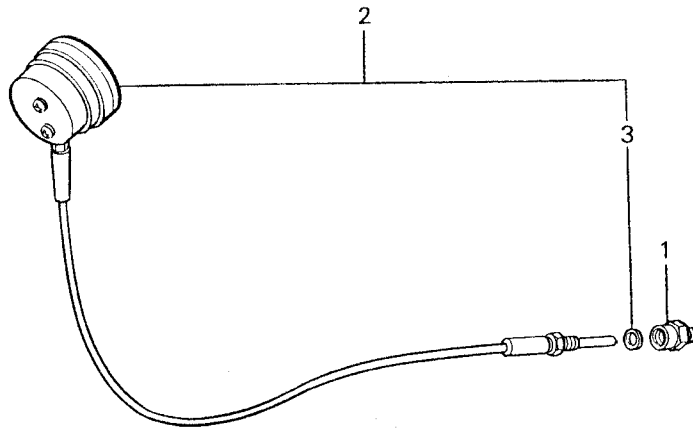
•OPTIONAL PARTS <FRAME>

4. CARB BOX SET



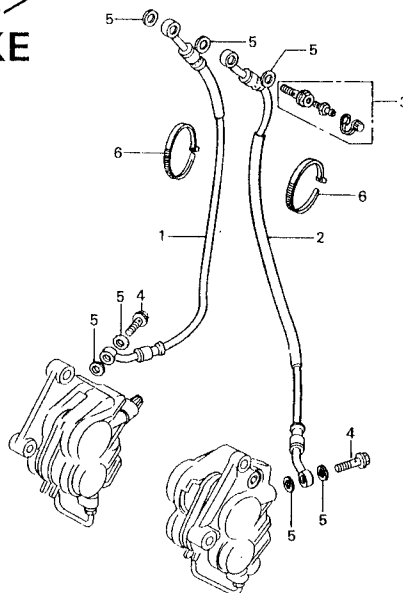
Ref. No.	Parts No.	Description	Reqd. No.			Price (¥)	Ref. No.	Parts No.	Description	Reqd. No.			Price (¥)
			完成車	ノービス F-III	SP-F					完成車	ノービス F-III	SP-F	
•	06210-NH3-900	CARB BOX SET	1	1	1	15,000							
•	1	16119-NH3-901 STAY, plate	1	1	1	1,600							
•	2	17210-NH3-900 BOX, carb	1	1	1	9,100							
•	3	17215-NH3-900 BRKT., R. carb hold	1	1	1	650							
•	4	17220-NH3-900 HOSE, carb box	2	2	2	1,200							
•	5	17225-NH3-900 BRKT., L. carb hold	1	1	1	650							
	6	19051-KA3-830 RUBBER, radiator mount	2	2	2	95							
	7	19052-KA3-830 COLLAR, radiator mount	2	2	2	140							
	8	90304-GA6-003 NUT, axle, 10 mm	2	2	2	90							
	9	90541-KK6-000 WASHER, 16 mm	2	2	2	65							
	10	93893-04012-00 SCREW, wather, 4 x 12	4	4	4	20							
	11	95701-06022-00 BOLT, flange, 6 x 22	2	2	2	25							
	12	96300-10032-00 BOLT, flange, 10 x 32	2	2	2	45							

•OPTIONAL PARTS <FRAME>
5. METER SET WATER TEMP



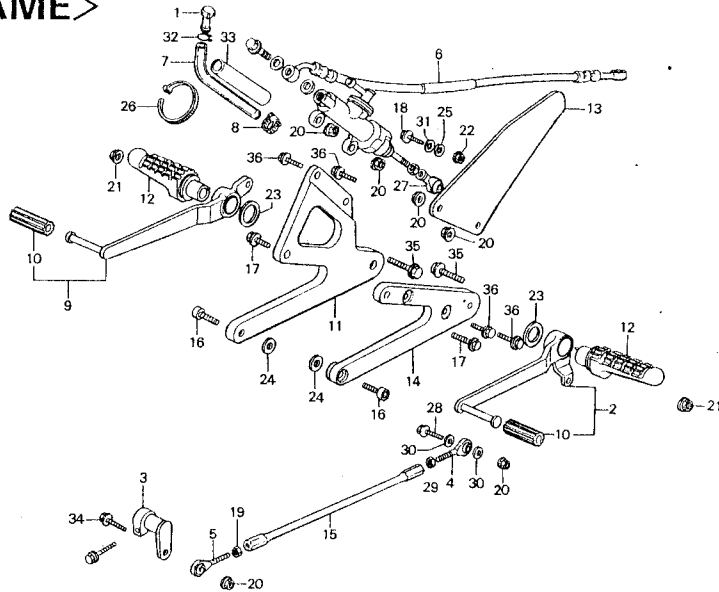
Ref. No.	Parts No.	Description	Reqd. No.			Price (¥)	Ref. No.	Parts No.	Description	Reqd. No.			Price (¥)
			完成車	ノービス F-III	SP-F					完成車	ノービス F-III	SP-F	
•	06310-NH3-000	METER SET WATER TEMP	1	1	1	7,360							
•	1 19301-NC7-000	ADAPTOR, water temp sensor	1	1	1	360							
•	2 37460-NF4-030	METER ASSY., water temp	1	1	1	7,000							
•	3 90410-NF4-000	WASHER, seal	1	1	1	200							

•OPTIONAL PARTS <FRAME>
6. HOSE SET FRONT BRAKE



Ref. No.	Parts No.	Description	Reqd. No.			Price (¥)	Ref. No.	Parts No.	Description	Reqd. No.			Price (¥)
			完成車	ノーマル F-III	SP-F					完成車	ノーマル F-III	SP-F	
•	06410-NH3-900	HOSE SET FRONT BRAKE	1	1	1	8,500							
•	1 45124-NH3-900	HOSE, R. front brake (ℓ = 530)	1	1	1	3,200							
•	2 45125-NH3-900	HOSE, L. front brake (ℓ = 630)	1	1	1	3,200							
•	3 45530-NF5-000	BOLT ASSY., oil breeder	1	1	1	1,000							
•	4 90145-961-010	OIL-BOLT, 10 x 22	2	2	2	245							
•	5 90545-300-000	WASHER, oil bolt	7	7	7	90							
•	6 90651-NC8-000	TY-LAP, 3.6 x 281	2	2	2	100							

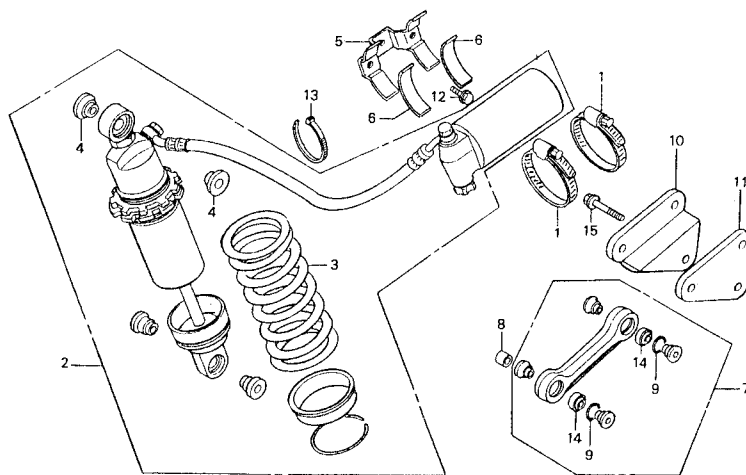
•OPTIONAL PARTS <FRAME>
7. BACK STEP SET



Ref. No.	Parts No.	Description	Reqd. No.			Price (¥)	Ref. No.	Parts No.	Description	Reqd. No.			Price (¥)	
			完成車	ノービス F-III	SP-F					完成車	ノービス F-III	SP-F		
•	06500-NH3-900	BACK STEP SET	1	1	1	52,000	19	90201-700-000	NUT, governor arm fixing	1	1	1	30	
1	17370-419-700	PLUG, brathr tube	1	1	1	100	20	90301-473-003	NUT, U. 6 mm	4	4	4	145	
•	2	24700-NH3-900	PEDAL ASSY., gear change	1	1	1	8,900	21	90304-GA6-003	NUT, axle, 10 mm	2	2	2	90
•	3	24710-NH3-900	ARM, gear change	1	1	1	4,000	22	90309-428-731	NUT, flange, 8 mm	1	1	1	125
•	4	24711-NC8-000	ROD END A. 6 mm	1	1	1	1,100	23	90407-HB3-000	WASHER, 16.2 mm	2	2	2	90
•	5	24712-NC8-000	ROD END B. 6 mm	1	1	1	1,100	24	90465-422-000	WASHER, thrust, 8 mm	2	2	2	100
•	6	43310-NH3-901	HOSE, rear brake	1	1	1	2,400	25	90501-399-880	WASHER, plain, 8 mm	1	1	1	70
•	7	43503-ND4-750	V-TUBE, 9 x 13 x 200	1	1	1	100	• 26	90651-NC8-000	TY-LAP, 3.6 x 281	1	1	1	100
•	8	43541-ND5-750	CLAMP	1	1	1	240	• 27	91060-NH3-900	ROD, end, 8 mm	1	1	1	1,000
•	9	46500-NH3-900	PEDAL ASSY., rear brake	1	1	1	9,000	28	92201-06025-0A	BOLT, hex, 6 x 25	1	1	1	20
•	10	46501-ND4-750	RUBBER, pedal	2	2	2	360	29	94002-06200-0S	NUT, hex, 6 mm	1	1	1	15
•	11	50600-NH3-900	HOLDER, R. step	1	1	1	5,000	30	94101-06000	WASHER, plain, 6 mm	2	2	2	10
•	12	50610-ND5-750	ARM COMP., step	2	2	2	5,100	31	94102-08000	WASHER, plain, 8 mm	1	1	1	10
•	13	50650-NH3-900	PLATE, guard	1	1	1	2,500	32	95002-02120	CLIP, B12. tube	1	1	1	20
•	14	50700-NH3-900	HOLDER, L. step	1	1	1	5,000	33	95003-45012-10	V-TUBE, 14 x 18 x 120	1	1	1	450
•	15	90065-KV3-700	BAR, change	1	1	1	530	34	95801-06022-00	BOLT, flange, 6 x 22	1	1	1	25
•	16	90101-NH3-000	SCREW, socket, 8 x 30	2	2	2	100	35	95801-10050-00	BOLT, flange, 10 x 50	2	2	2	45
•	17	90102-NH3-900	BOLT, 8 x 25	2	2	2	100	36	96001-06016-00	BOLT, flange, SH, 6 x 16	4	4	4	25
•	18	90121-GC8-000	BOLT, hex, 8 x 32	1	1	1	85							

•OPTIONAL PARTS <FRAME>

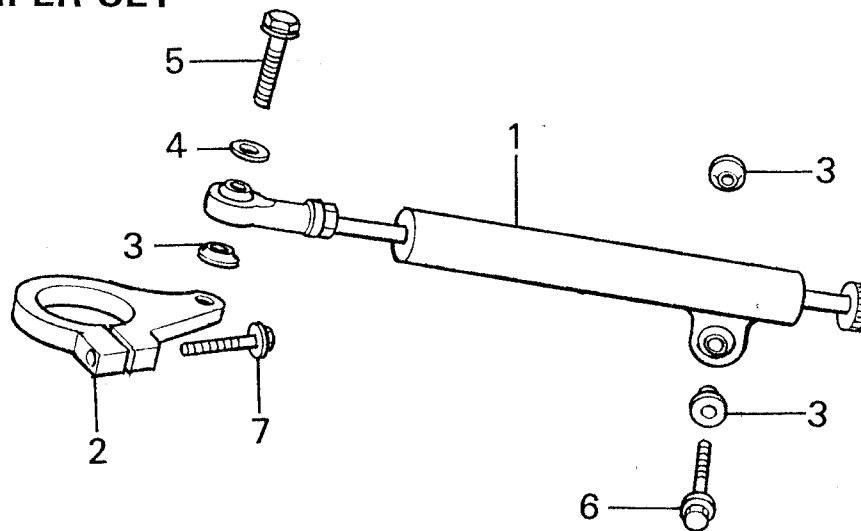
8. REAR CUSHION SET



Ref. No.	Parts No.	Description	Reqd. No.			Price (¥)	Ref. No.	Parts No.	Description	Reqd. No.			Price (¥)
			完成車	ノービス F-III	SP-F					完成車	ノービス F-III	SP-F	
•	06520-NH3-900	REAR CUSHION SET	1	1	—	76,000							
	1	50252-KA3-830 BAND, sub tank	2	2	—	490							
•	2	52400-NH3-901 CUSHION ASSY., rear	1	1	—	55,000							
•	3	52401-NH3-901 SPRING, rear cushion (K = 6.7)	1	1	—	6,900							
•		52404-NH3-901 SPRING, rear cushion (K = 7.2)	(1)	(1)	—	6,900							
•		52405-NH3-901 SPRING, rear cushion (K = 7.8)	(1)	(1)	—	6,900							
•	4	52403-NH3-901 COLLAR, damper upper	2	2	—	800							
•	5	52420-NH3-900 STAY, sub tank	1	1	—	1,400							
•	6	52459-ND5-750 RUBBER, rear cushion tank	2	2	—	180							
•	7	52460-NH3-900 ROD ASSY., cushion	1	1	—	18,100							
•	8	52463-NH3-900 COLLAR, B. cushion rod	1	1	—	450							
•	9	52469-NC8-000 SNAP-RING, 22 mm	1	1	—	30							
•	10	52471-NH3-900 PLATE, R. cushion arm	1	1	—	1,800							
•	11	52472-NH3-900 PLATE, L. cushion arm	1	1	—	1,600							
•	12	90153-KA3-730 BOLT, flange, 10 x 48	1	1	—	135							
•	13	90651-NC8-000 TY-LAP, 3.6 x 281	1	1	—	100							
•	14	91052-NC8-000 BEARING, spherical, 12 mm	2	2	—	2,800							
•	15	95701-08012-00 BOLT, flange, 8 x 12	1	1	—	25							

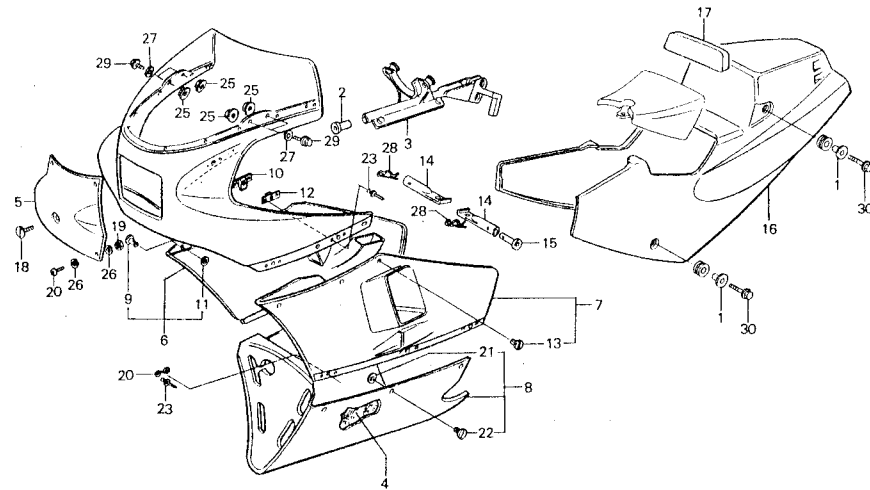
•OPTIONAL PARTS <FRAME>

9. STEERING DAMPER SET



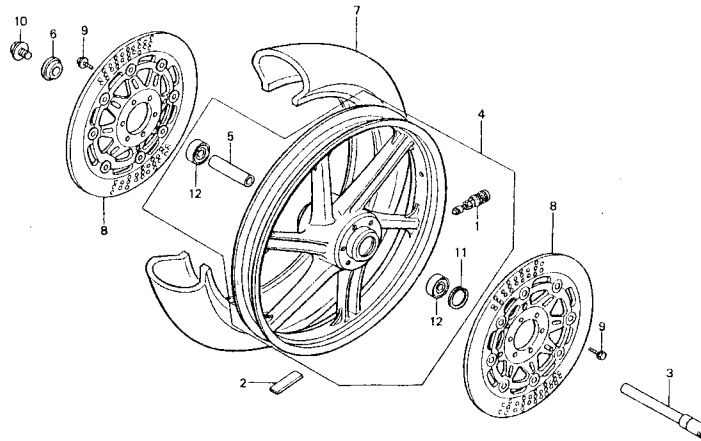
Ref. No.	Parts No.	Description	Reqd. No.			Price (¥)	Ref. No.	Parts No.	Description	Reqd. No.			Price (¥)
			完成車	ノービス F-III	SP-F					完成車	ノービス F-III	SP-F	
•	06530-NH3-900	STEERING DAMPER SET	1	1	1	24,000							
•	1 53700-NF5-751	DAMPER ASSY., steering	1	1	1	16,500							
•	2 53710-NF5-752	STAY, steering damper	1	1	1	6,500							
•	3 53713-NC8-000	SPACER, steering damper	3	3	3	540							
	4 94102-08000	WASHER, plain, 8 mm	1	1	1	10							
	5 95801-08030-00	BOLT, flange, 8 x 30	1	1	1	35							
	6 95801-08040-00	BOLT, flange, 8 x 40	1	1	1	35							
	7 96001-06032-00	BOLT, flange, SH, 6 x 32	1	1	1	35							

•OPTIONAL PARTS <FRAME>
10. COWLING SET



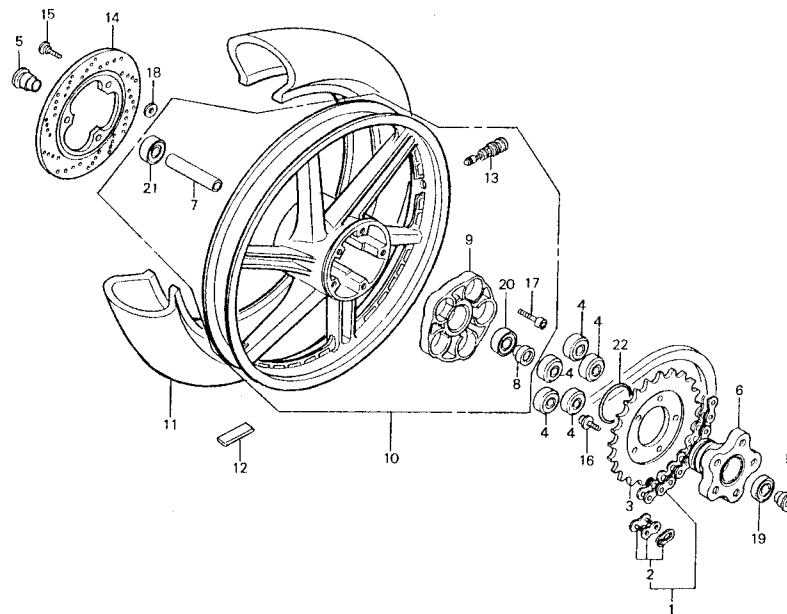
Ref. No.	Parts No.	Description	Reqd. No.			Price (¥)	Ref. No.	Parts No.	Description	Reqd. No.			Price (¥)		
			完成車	ノーマル F-III	SP-F					完成車	ノーマル F-III	SP-F			
•	06640-NH3-900	COWLING SET	1	1	—	129,000	•	19	90310-NF4-000	NUT, self lock, 3 mm	—	4	—	30	
	1	18357-KA4-710	COLLAR, silencer	4	4	4	130	•	20	90653-NC8-000	SPRING, fastener, 35	6	6	—	60
•	2	50803-ND4-750	NUT, cowl stay	1	1	—	360	•	21	90654-NC8-000	GROMMET, fastener	6	6	—	10
•	3	50810-NH3-900	STAY COMP., center cowl	1	1	—	16,000	•	22	90655-NC8-000	STUD, fastener	6	6	—	210
•	4	64109-NH3-900	SHEET, heat proof	2	2	—	600	•	23	91080-NC8-300	RIVET, 3.2 x 6.4	12	6	—	10
•	5	64201-NH3-900	PLATE, front number	1	1	—	6,000	•	24	93500-03012-0A	SCREW, pan, 3 x 12	—	4	—	10
•	6	64220-NH3-900	COWL, front side, R.	1	1	—	16,000	•	25	94050-06000	NUT, flange, 6 mm	4	4	—	20
•	7	64230-NH3-900	COWL, front side, L.	1	1	—	16,000	•	26	94101-03000	WASHER, plain, 3 mm	2	8	—	10
•	8	64300-NH3-900	COWL, lower	1	1	—	31,000	•	27	94103-06000	WASHER, plain, 6 mm	4	4	—	10
•	9	64507-KE8-701	STUD, 6 x 14	3	3	—	295	•	28	94252-14000	PIN, lock, 14 mm	2	2	—	40
•	10	64508-KE8-700	SPRING, plate	2	1	—	295	•	29	95701-06022-00	BOLT, flange 6 x 22	4	4	—	25
•	11	64509-KE8-700	RETAINER, 6 mm	3	3	—	50	•	30	96001-06020-00	BOLT, flange, SH, 6 x 20	4	4	4	25
•	12	64509-KV3-300	NUT, plate, 6 mm	2	1	—	150								
•	13	64509-ML7-000	BOLT, cowl set	3	3	—	80								
•	14	64532-NH3-900	STAY, lower cowl upper	2	2	—	700								
•	15	64533-NH3-900	PIN, lower	2	2	—	2,500								
•	16	77210-NH3-900	COWL COMP., seat	1	1	1	39,500								
•	17	77230-NH3-300	CUSHION, seat cowl back	1	1	1	1,000								
•	18	90106-NF4-000	BOLT, cowl set, 6 x 12	1	1	—	250								

•OPTIONAL PARTS <FRAME>
11. WHEEL ASSY. FRONT



Ref. No.	Parts No.	Description	Reqd. No.			Price (¥)	Ref. No.	Parts No.	Description	Reqd. No.			Price (¥)
			完成車	ノービス F-III	SP-F					完成車	ノービス F-III	SP-F	
• 1	42704-NF7-000	VALVE, wheel	1	1	—	960							
• 2	42720-NC8-000	WEIGHT, balancer, 10 g	N	N	—	60							
•	42721-NC8-000	WEIGHT, balancer, 20 g	N	N	—	120							
• 3	44300-NF5-750	AXLE ASSY., front wheel	1	1	—	3,400							
• 4	44600-NF5-750	WHEEL COMP., front (3.00 x 17)	1	1	—	90,000							
• 5	44620-ND5-750	COLLAR, front axle center	1	1	—	3,400							
• 6	44621-NF5-750	COLLAR, front wheel side	1	1	—	700							
• 7	44711-NF5-750	TIRE, front (slick)	1	1	—	時価							
• 8	45120-KV3-720	DISK COMP., front brake	2	2	—	20,500							
• 9	90113-ND5-761	BOLT, flange, 6 x 20	12	12	—	230							
10	90305-KT8-000	BOLT, front axle	1	1	—	210							
11	94520-42000	CIR-CLIP, IN. 42	1	1	—	50							
12	96150-60040-10	BEARING, ball radial, 6004	2	2	—	640							

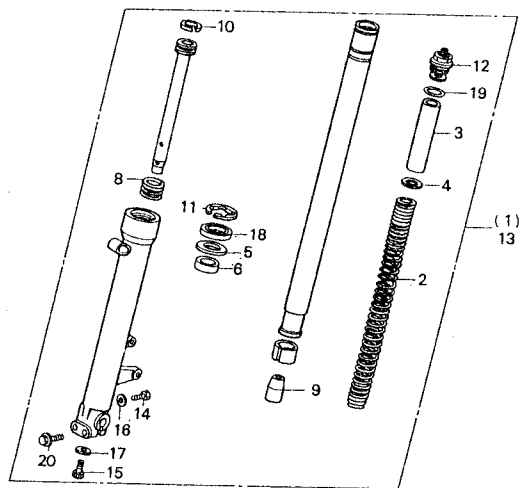
•OPTIONAL PARTS <FRAME>
12. WHEEL ASSY. REAR



Ref. No.	Parts No.	Description	Reqd. No.			Price (¥)	Ref. No.	Parts No.	Description	Reqd. No.			Price (¥)
			完成車	ノービス F-III	SP-F					完成車	ノービス F-III	SP-F	
• 1	40520-NF2-003	CHAIN, drive (520TR-106)	(1)	1	1	9,200	• 12	42720-NC8-000	WEIGHT, balancer, 10 g	N	N	—	60
•	40530-NE5-003	CHAIN, drive (520VS-108)	(1)	1	1	9,200	•	42721-NC8-000	WEIGHT, balancer, 20 g	N	N	—	120
•	40530-NF5-003	CHAIN, drive (520TR-108)	(1)	1	1	9,600	13	42753-ML7-003	VALVE, rim	1	1	—	265
•	40540-NF2-003	CHAIN, drive (520VS-106)	(1)	1	1	9,200	14	43351-KV3-000	DISK, rear brake	1	1	—	10,800
• 2	40531-NE5-000	JOINT, R.J. drive chain (CLIP)	(1)	1	1	300	15	90105-KR3-000	BOLT, front disk, 8 x 24	3	3	—	140
•	40532-NE5-000	JOINT, X.J. drive chain (STAKE)	(1)	1	1	360	16	90128-KV3-700	BOLT, driven sprocket	5	5	—	150
•	40536-ND5-751	JOINT, X.J. drive chain (STAKE)	1	1	1	360	17	90151-KV3-720	BOLT, socket	5	5	—	130
• 3	41206-NH3-900	SPROCKET, final driven, 37T	(1)	1	1	7,200	18	90551-KV3-720	WASHER, plain	3	3	—	190
•	41207-NH3-900	SPROCKET, final driven, 38T	(1)	1	1	7,200	19	91072-KV3-700	BEARING, ball radial 60/22	1	1	—	500
•	41208-NH3-900	SPROCKET, final driven, 39T	(1)	1	1	7,200	20	91073-KV3-700	BEARING, ball radial 62/22	1	1	—	550
•	41209-NH3-900	SPROCKET, final driven, 40T	1	1	1	7,200	21	91074-KV3-721	BEARING, ball radial 60/22	1	1	—	500
•	41210-NH3-900	SPROCKET, final driven, 41T	(1)	1	1	7,200	22	91302-KV3-700	O-RING, 48 x 2	1	1	—	100
•	41211-NH3-900	SPROCKET, final driven, 42T	(1)	1	1	7,200							
4	41241-KV3-700	RUBBER, rear wheel damper	5	5	—	270							
5	42312-KV3-700	COLLAR, rear wheel	2	2	—	470							
6	42610-KV3-700	FLANGE COMP., driven	1	1	—	6,200							
7	42620-KV3-700	COLLAR, A. rear wheel distanc	1	1	—	860							
8	42625-KV3-700	COLLAR, B. rear wheel distanc	1	1	—	420							
9	42628-KV3-720	HUB, sprocket	1	1	—	3,500							
10	42650-KV3-720	WHEEL COMP., rear (4.00 x 18)	1	1	—	95,000							
• 11	42711-NF5-750	TIRE, rear (SLICK)	1	1	—	時価							

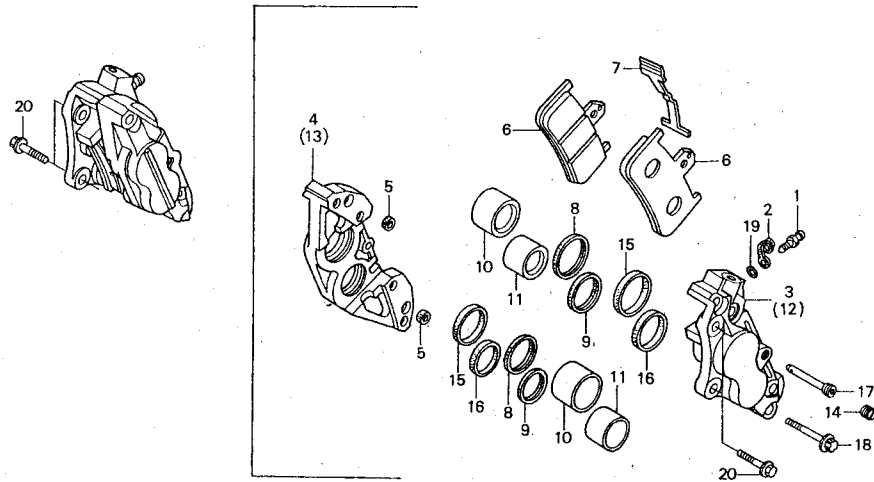
•OPTIONAL PARTS <FRAME>

13. FORK ASSY. FRONT



Ref. No.	Parts No.	Description	Reqd. No.			Price (¥)	Ref. No.	Parts No.	Description	Reqd. No.			Price (¥)
			完成車	ノービス F-III	SP-F					完成車	ノービス F-III	SP-F	
• 1	51400-NH3-911	FORK ASSY., R. front	1	1	—	38,500	20	96500-08045-00	BOLT, flange, DR. 8 x 45	4	4	—	45
• 2	51401-NH3-901	SPRING, front fork	2	2	—	3,800							
•	51404-NH3-901	SPRING, front fork	(2)	2	—	3,800							
• 3	51402-KV3-701	COLLAR, spring	2	2	—	550							
• 4	51403-KF0-003	PLATE, spring joint	2	2	—	95							
• 5	51412-MB4-003	RING, back up	2	2	—	175							
• 6	51414-MN5-003	BUSH, guide	2	2	—	295							
• 7	51415-MM8-003	BUSH, slider	2	2	—	350							
• 8	51416-KV3-701	SPRING, rebound	2	2	—	160							
• 9	51432-KV3-701	PIECE, oil lock	2	2	—	380							
• 10	51437-KV3-701	RING, piston	2	2	—	180							
• 11	51447-MB4-003	CIR-CLIP, IN.	2	2	—	125							
• 12	51450-KV3-701	BOLT ASSY., front fork	2	2	—	2,000							
• 13	51500-NH3-911	FORK ASSY., L. front	1	1	—	38,500							
• 14	90107-NF4-003	BOLT, hex, 6 mm	2	2	—	300							
• 15	90116-KV3-701	BOLT, socket, 8 x 18	2	2	—	70							
• 16	90543-273-000	RACKING, drain cock	2	2	—	55							
• 17	90544-283-000	WASHER, special, 8 mm	2	2	—	65							
• 18	91255-MM8-003	SEAL, oil, 41 x 54 x 11	2	2	—	300							
• 19	91356-KF0-003	O-RING, 33.2 x 2.4	2	2	—	85							

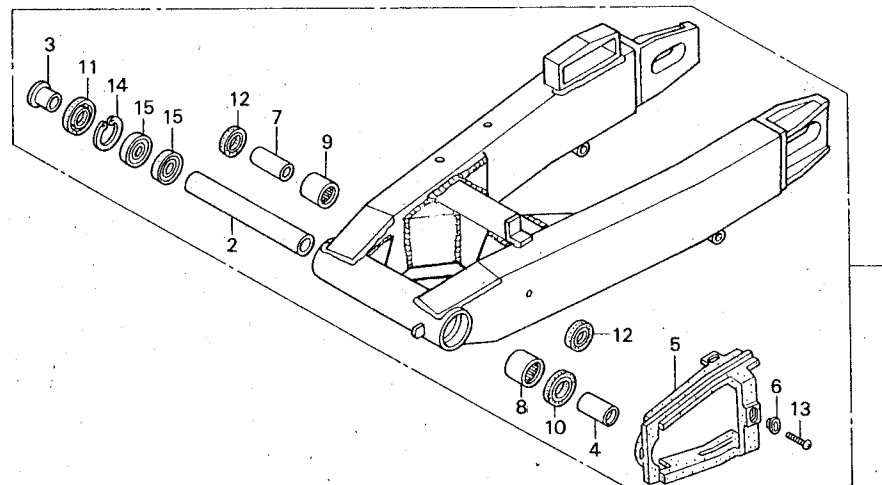
•OPTIONAL PARTS <FRAME>
14. CALIPER FRONT



Ref. No.	Parts No.	Description	Reqd. No.			Price (¥)	Ref. No.	Parts No.	Description	Reqd. No.			Price (¥)
			完成車	ノービス F-III	SP-F					完成車	ノービス F-III	SP-F	
1	43352-MG9-006	BLEEDER, screw	2	2	—	160							
2	43353-MG9-006	CA9, bleeder	2	2	—	110							
3	45101-KV3-701	BODY, AL. front caliper	1	1	—	6,000							
4	45102-KV3-701	BODY, BL. front caliper	1	1	—	5,300							
5	45103-MR7-006	SEAL, joint	4	4	—	75							
6	45105-MR7-612	PAD COMP.	4	4		2,500							
7	45106-MR7-006	PAD, spring	2	2	—	265							
8	45109-166-006	DUST, seal	4	4	—	145							
9	45109-GE2-006	DUST, seal	4	4	—	145							
10	45117-MR7-006	PISTON, A.	4	4	—	950							
11	45118-KV3-701	PISTON	4	4	—	800							
12	45201-KV3-701	BODY, AR. front caliper	1	1	—	6,000							
13	45202-KV3-701	BODY, BR. front caliper	1	1	—	5,300							
14	45203-MG3-006	PLUG, pin	3	3	—	120							
15	45209-166-006	SEAL, piston	4	4	—	145							
16	45209-GE2-006	SEAL, piston	4	4	—	145							
17	45215-GE2-006	PIN, hanger	2	2	—	255							
18	90107-KV3-701	BOLT, torques	8	8	—	90							
19	91355-MG9-006	O-RING	2	2	—	85							
20	96400-08032-07	BOLT, flange, 8 x 32	4	4	—	40							

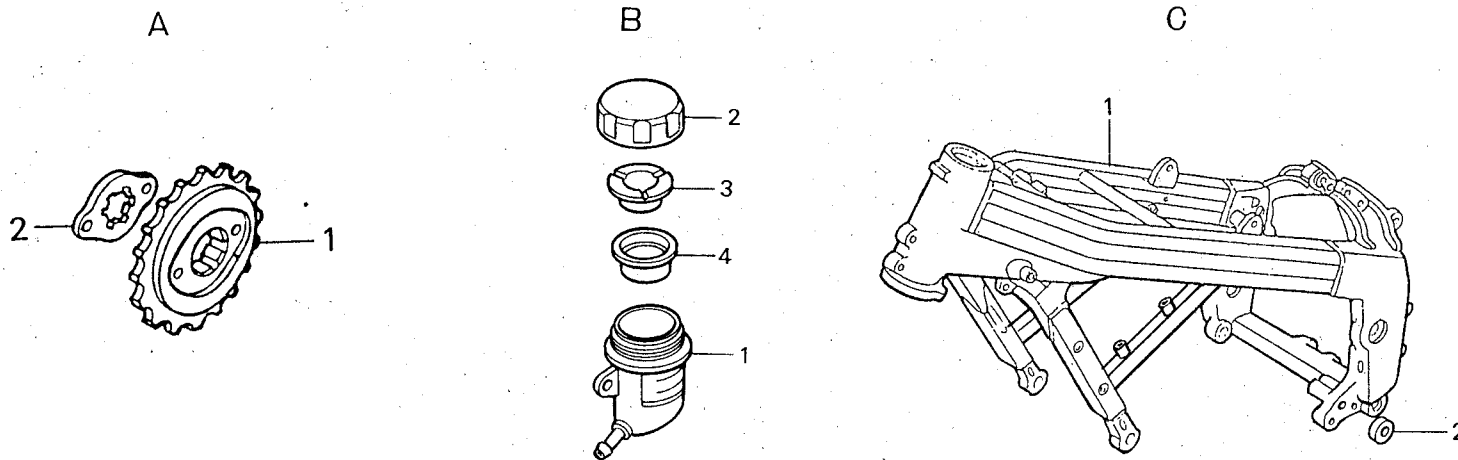
•OPTIONAL PARTS <FRAME>

15. ARM ASSY. SWING



Ref. No.	Parts No.	Description	Reqd. No.			Price (¥)	Ref. No.	Parts No.	Description	Reqd. No.			Price (¥)
			完成車	ノービス F-III	SP-F					完成車	ノービス F-III	SP-F	
• 1	52100-NH3-900	ARM ASSY., swing	1	—	—	51,000							
2	52102-KV3-700	COLLAR, pivot (dist)	1	—	—	1,250							
3	52105-KM4-000	COLLAR B, RR. fork pivot	1	—	—	440							
4	52108-KV3-700	COLLAR, pivot	1	—	—	420							
5	52170-KV3-700	SLIDER, chain	1	—	—	780							
6	52171-KR6-000	WASHER, chain slider	1	—	—	60							
7	52463-KV3-000	COLLAR, cush arm	1	—	—	275							
8	91063-KV3-003	BRG, needle	1	—	—	680							
9	91071-KV3-004	BEARING, needle	1	—	—	420							
	91071-KV3-005	BEARING, needle	1	—	—	420							
10	91203-148-003	OIL SEAL 24 x 34 x 5.5	1	—	—	185							
	91203-148-005	OIL SEAL 24 x 34 x 5.5	1	—	—	185							
11	91212-KM1-005	OIL SEAL 22 x 32 x 5	1	—	—	170							
12	91262-MG7-005	OIL SEAL 17 x 27 x 5	2	—	—	165							
13	93500-05012-0G	SCREW, pan, 5 x 12	1	—	—	10							
14	94520-32000	CIRCLIP, IN 32	1	—	—	40							
15	96100-60020-10	BEARING, ball radial 6002	2	—	—	400							

16. OTHER PARTS



Ref. No.	Parts No.	Description	Reqd. No.			Price (¥)	Ref. No.	Parts No.	Description	Reqd. No.			Price (¥)
			完成車	ノービス F-III	SP-F					完成車	ノービス F-III	SP-F	
<ENGINE>													
A 1	23801-KE8-000	SPROCKET, drive 14T	(1)	1	—	1,750							
	23801-NH3-000	SPROCKET, drive 15T	1	1	—	2,900							
2	23811-292-000	FIXING PLATE, drive sprocket (15Tスプロケットに使用).....	1	1	—	70							
	95014-91200	PLATE, A2. fixing (14Tスプロケットに使用).....	(1)	1	—	45							
<FRAME>													
B 1	43511-KS6-701	CAP COMP., master cylinder	—	1	—	500							
2	43513-KS6-701	CAP, master cylinder	—	1	—	250							
3	45518-GM9-711	PLATE, diaphragm	—	1	—	110							
4	45520-GM9-711	DIAPHRAGM	—	1	—	220							
C 1	50100-NH3-910	FRAME BODY COMP.	1	—	—	110,000							
2	50108-NH3-900	COLLAR, 8 mm (サイドスタンド取外し後に使用).....	1	1	—	200							
D 1	31850-NF5-750	UNIT ASSY., valve checker	(1)	1	—	8,000							
2	31860-NF5-750	CHECKER, switch	(1)	1	—	1,000							
3	31870-NH3-900	HARNES, sub checker	(1)	1	—	500							
(上記3点は、RCバルブ廻りの作動チェック計測器)													



www.tyga-performance.com

No.	HRC コード	主な取扱 ロード バイク アパ ウェア	ショップ名	〒No.	住 所	TEL	FAX
1	101025	●	機ボールポジション	206	東京都多摩市貝取607-3	0423-75-3083	0423-71-4784
2	101051	●	オートショップスガハラ術	114	東京都北区王子3-20-2	03-914-7500	03-914-7518
3	101054	●	機アールビーエム	191	東京都日野市日野669-2	0425-81-0421	0425-83-8544
4	101055	●	機マン鳥スポーツ	146	東京都大田区千鳥町2 11 3	03-750-3811	
5	101063	●	HONDA SPORTS MOTO BUM	111	東京都台東区台東4-13-23	03-831-4265	03-831-4282
6	101121	●	ホンダドリームNODA	120	東京都足立区青井5-12-41	03-889-6415	03-849-4173
7	102012	○	ホンダショップ成田	211	神奈川県川崎市中原区中九子439	044-411-4171	
8	102019	○	機ホンダスーパーウイングまるやま	255	神奈川県中郡大磯町高麗3-2-39	0463-34-0651	
9	102032	●	術ライダーズサロン横浜	236	神奈川県横浜市金沢区片吹66-19	045-783-3638	
10	103025	●	モトライフポイントユー・ギア	271	千葉県松戸市松戸1051-4	0473-61-1051	
11	104010	○	機ホンダショップ和光	351-01	埼玉県和光市本町20-17	0484-61-7478	切 換
12	104036	●	術エンデュランス	350	埼玉県川越市山田1667-1	0492-22-7770	0492-22-8618
13	104038	●	モトウイング我來(ガル)	350-13	埼玉県狭山市下奥富613-1	0429-54-7467	0429-54-7288
14	105012	●	術ワールド筑波	300-26	茨城県結城郡八千代町大字栗山字氏神898-3	0296-49-3138	切 換
15	115006	○	術モト・ショップ・ハマ	390	長野県松本市沢村3-1-12	0263-32-5231	
16	116013	○	ホンダウイング高橋	946	新潟県北魚沼郡小出町虫野113-3	02579-2-0778	
17	116021	○	術三菱バイクセンター	955	新潟県三条市下須頃24	0256-34-8325	
18	201018	●	LA・MOTO KOHSAKA	497	愛知県海部郡蟹江町源氏1-6	05679-5-9991	05679-5-0698
19	203007	●	ホンダワールド機	513	三重県鈴鹿市住吉町6786	0593-78-1455	0593-78-6192
20	203009	○	THE BIKE ISAKA	510-02	三重県鈴鹿市稲生町7990-15	0593-83-3470	
21	203012	○	三谷モーターズスポーツ	519-21	三重県多気郡多気町四足田324	05983-8-2222	
22	204002	○	バイクショップTRY	504	岐阜県各務原市那加信長町1-283	0583-83-7722	
23	204014	●	ノースウイングJ・C	737	岐阜県岐阜市上土居1-6-1	0582-94-4481	
24	207003	●	ホンダレッドジティー	937	富山県魚津市本江2535	0765-24-3121	
25	301012	●	モビリティプラザタカダ	524	滋賀県守山市播磨田町381-4	0775-82-3227	0775-82-5090
26	302004	○	スーパーネッシーコタニ	621	京都府亀岡市篠町空殿林20-6	07712-4-6308	
27	302005	○	バイクショップトムス	603	京都府京都市北区紫野下鳥田町1-3	075-491-5552	切 換
28	303029	●	機スーパーモンキー	578	大阪府東大阪市玉串元町2-8-27	0729-64-3177	0729-65-0026
29	303030	●	機RSタイチ	574	大阪府大東市中垣内3-1-25	0720-74-5315	0720-74-3385
30	306021	●	機サイクルワールド	673	兵庫県神戸市西区森友4-13	078-928-6644	078-928-4711
31	306031	○	ミネモーターサイクル	654	兵庫県神戸市須磨区妙法寺地子田1038-8	078-743-5440	
32	307007	○	機梅本商会	700	岡山県岡山市南中央町12-9	0862-32-0011	0862-32-0014
33	307010	○	NOVA	709-08	岡山県赤磐郡山陽町河本1076-5	08695-5-2519	切 換
34	307019	●	M.S.ファッションパドック	708	岡山県津山市二宮662	0868-28-3191	0868-28-3198
35	312004	●	術ホンダアロー	711-01	徳島県徳島市川内町平石夷野250-2	0886-65-5330	0886-65-5595
36	401023	●	機ホンダショップ高武	810-91	福岡県福岡市城南区神松寺2-2-2	092-871-8198	092-781-8202
37	401036	●	ホンダショップライフ	802	福岡県北九州市小倉北区片野新町1-1-1	093-922-8914	093-922-8910
38	502008	●	ホンダウイングトムズ	044	北海道虻田郡倶知安町北1条西2	0136-22-1008	切 換
39	502021	●	機オートランド札幌	004	北海道札幌市白石区厚別中央3条1-1-1	011-892-3323	
40	608011	○	モト・ビッド・マックス	969-11	福島県安達郡本宮町字栄田147-1	0243-33-2455	
41	609008	●	機クルーズ	981-15	宮城県角田市角田字町152	02246-2-0671	0224-55-5613
42	609020	●	ビッグフォー小松島	981-31	宮城県泉市松森字中通43 2	0222-71-2181	
43	610005	○	機ホンダウイング荘内	998-01	山形県酒田市大字広野字中通32-1	0234-92-3838	

HRCサービスショップ一覧

レーシングマシンのセッティングやメンテナンス、パーツが欲しい...etc.

レースに関することなら、なんでもHRCサービスショップにお気軽にご相談ください。

現在、全国に43店舗。いずれもレース経験豊富なお店です。

