



## **PARTS CATALOG**

**NSR50R'04**  
**MINI 50**

MARCH, 2004

**American Honda Motor Co., Inc.**

14RS50EM (Fiche Version)



# TABLE OF CONTENTS

## Introduction

## Grid / Page

- HOW TO USE THIS CATALOG ..... A2 4
- LOCATION OF SERIAL NUMBER ..... A2 5
- SERIAL NUMBERS ..... A3 6
- CONSTRUCTION OF VEHICLE IDENTIFICATION  
NUMBER ..... A3 7
- COLOR TABLE ..... A4 8
- BULK HOSE PART NUMBER PATTERN..... A4 9
- MASTER INDEX ..... A5 10

## Part Groups

- ENGINE SECTION ..... 1-C1 1-1
- FRAME SECTION..... 1-D1 2-1

## Index

- PART NUMBER INDEX ..... B1 3-1
- DESCRIPTION INDEX ..... 1-E1 4-1

# HOW TO USE THIS CATALOG

This parts catalog is to be used when ordering replacement parts for the model (s) specified on the microfiche strip.

## CATALOG PAGE BREAKDOWN (Generic layout-sample data only)

4= MODEL 5= MODEL 6= MODEL 7= MODEL		E-1							
④				Engine Serial Number					
Ref.	Description	MODEL-ID	From	To	AREA	ORG	QTY	Part Number	H/C
1	COVER SET, CYLINDER HEAD	4	15240057	-----	AC	JPN	1	12310-PE2-020	2031797
	COVER SET, CYLINDER HEAD		-----	12234811	A	USA	1	12310-PE2-030	2210888
①	②	③	⑤	⑥	⑦	⑧	⑨	⑩	

## KEY TO CATALOG PAGE BREAKDOWN

1. **Ref.** - Reference numbers correspond to the reference numbers on the illustrations. All illustrations are representative only and do not necessarily correspond exactly to the actual part. "NI" signifies the part is not illustrated.

2. **Description\*** - Describes the part for the related part number.

Abbreviations:

ASSY.	- Assembly	V	- Volt
COMP.	- Complete	W	- Watt
L(100L)	- Link(100Links)	A.C.	- Alternating Current
R.	- Right	D.C.	- Direct Current
L.	- Left	KPH	- Kilometers Per Hour
IN.	- Inlet	MPH	- Miles Per Hour
EX.	- Exhaust	A.M.	- Attaching Mark
FR.	- Front	T.M.	- Transcript Mark
RR.	- Rear	A	- Ampere
HEX.	- Hexagonal	WL	- With Labeling
STD.	- Standard	WOL	- Without Labeling
MM	- Millimeter	T (22T)	- Tooth
G	- Gram	C.D.I.	- Capacitive Discharge Ignition

3. **MODEL-ID\*** - Model indicator code is unique per catalog (not consistent with other catalogs).

4. Each catalog will be represented with applicable model indicators and models.

5. **Serial Number** - Applies to Engine or Frame serial numbers depending on the section. The serial numbers of the vehicle (frame, engine, carburetor) should be checked prior to ordering parts for a specific unit. In cases where a part has been modified, the serial number of the vehicle bearing the modification is listed in the 'SERIAL NUMBER' column. The modification parts are controlled by each pertinent serial number below.

**Engine serial number** - Engine group parts (Block numbers beginning with 'E').

**Carburetor identification number** - Carburetor component parts.

**Frame serial number** - Frame group parts (Block numbers beginning with 'F').

A serial number chart and serial number locations are provided.

**Note** - Some models may be controlled by one serial number only.

6. **AREA\*** - Applicable area code type is defined in the serial number chart.

7. **ORG\*** - Manufacturing origin of the unit.

8. **QTY** - Quantity required per unit as specified.

A. "AR" in place of the quantity indicates AS REQUIRED.

B. "(" Parentheses in the quantity required indicate "optional".

9. **Part Number** - Part number corresponds to the reference number and application. Several part numbers may be listed under one (1) reference number. For your convenience the current supersede chain, as of print date, has been listed. Supersede chains are subject to change without notice.

10. **H/C** - The Honda Code and Part Number share a 1 to 1 relationship.

## MAKE-UP OF PART NUMBERS

All parts are classified into two groups consisting of "GENERAL PARTS" and "STANDARD PARTS". All parts are numbered in accordance with the system described below:

### General Parts

Example: Driver Seat Assembly Part No.	77400-634-671ZA
Function No.	77
Component No.	400
Model Code No.	-634-
Modification Process Design	671
Color Code**	ZA

**A. Additional Information** - The section index located at the bottom of each microfiche grid lists section titles. The Engine and Frame sections have separate section indexes.

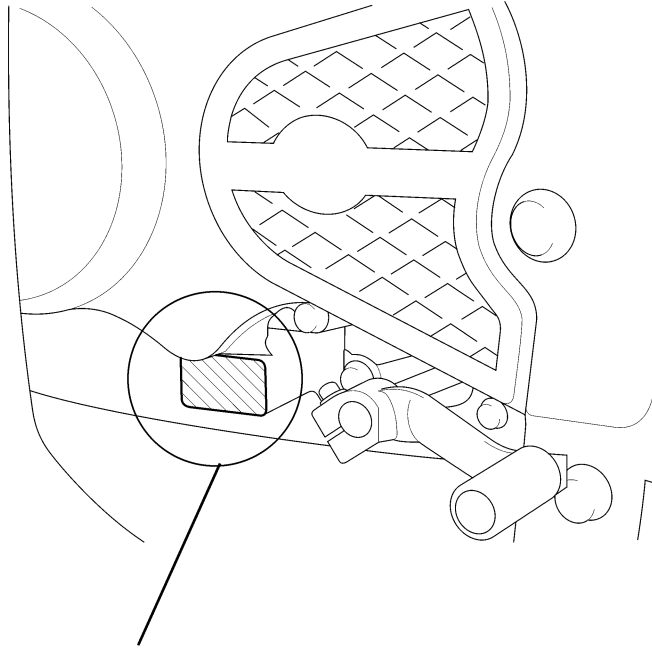
### Note:

1. Rear view mirrors are standard equipment on all street legal models.

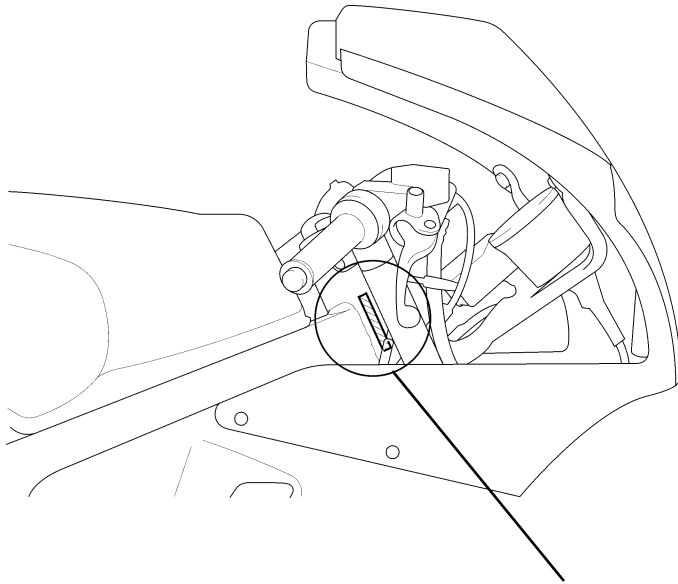
\*When columns become full, additional data is displayed on a second line.

\*\*The color code at the end of a part number indicates a color. Color codes such as ZA, ZB, ZC . . . , except ZZ, do not indicate the actual color. Actual colors are represented in code, between asterisks in the part description.

# LOCATION OF SERIAL NUMBER



Engine Serial Number



Frame Serial Number

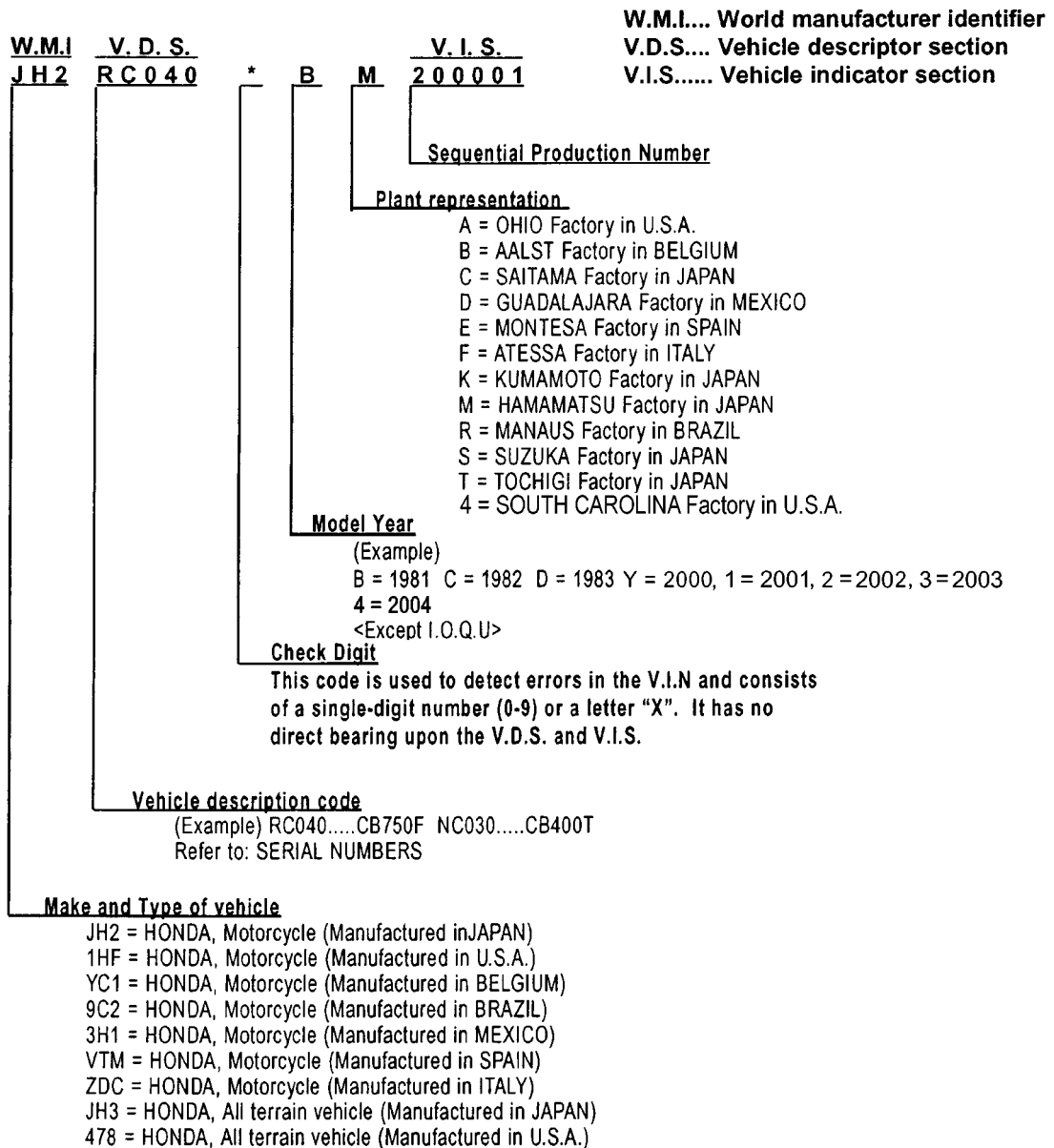
# SERIAL NUMBERS

## Models and applicable serial numbers

Models and applicable serial numbers given in this parts catalog can be identified as follows.

Model	Area Code	Engine Serial No.	Frame Serial No.	Carburetor Serial No.
NSR50R'04	A	RS50E-1000639 TO 1001598	RS50 *1100516 TO 1101643	PF70M

# CONSTRUCTION OF VEHICLE IDENTIFICATION NUMBER



Any change or modification of parts is directly related to the V.D.S. and V.I.S.  
 A V.I.S. number will appear in the "Serial No." column of the Parts Catalog if a part is changed or modified.

**COMMENT:**

This example is generic and applies to 1981 and newer vehicles. 1980 models and prior are referred to as "FRAME NUMBERS" and the construction is designed by using the model designation or code followed by a sequential number.

# COLOR TABLE

When ordering a colored part:

1. Confirm the color code for the required part from the color table according to the part name and color type.
2. Select the corresponding part number from the appropriate PAGE/GRID.
3. Parts marked "X" are unused.
4. "\*" = Basic Part Number, no extension (i.e. ZA, ZB).

## NSR50R'04 2004

No.	DESCRIPTION	COLOR CODE	NH196	A R E A
		BASE COLOR	Ross white NH196	
		BASIC PART NO.		
1	COWL (UPPER)	64200-NLA-000	●	
2	COWL, L. (LOWER)	64260-NLA-000	●	
3	COWL, R. (LOWER)	64250-NLA-000	●	
4	FENDER, FR.	61100-NLA-000	●	
5	FRAME	50100-NLA-000	●	
6	PLATE, FR. NUMBER	64210-NLA-000	●	
7	TANK, FUEL	17510-GT4-711	●	
8	WHEEL SUB-ASSY., FR.	44650-NLA-000	●	
9	WHEEL SUB-ASSY., RR.	42650-NLA-000	●	



# BULK HOSE PART NUMBER PATTERN

## Construction of Fuel and Vacuum Hose Part Number

Example: 9 5 0 0 1 - 7 5 0 0 1 - 4 0 M

Roll Hose

All roll hose part numbers have an "M" in this position

Appearance Code

**Fuel Hose:**

- 2 = Red, braided exterior
- 3 = Red
- 4 = Ash Gray with red stripe
- 5 = Black, braided interior
- 6 = Black

**Vinyl Hose:**

- 1 = Ash Gray
- 2 = Black
- 3 = Light Red
- 6 = Light Red
- 7 = Pale Black

**Vacuum Hose:**

- 1 = Ash Gray
- 2 = Ash Gray
- 3 = Black
- 5 = Black

Length

Cut Hose length is in *Millimeters (mm)*

Bulk Hose length is in *Meters (M)*

Inside Diameter

Fuel and Vacuum Hose

- |                       |                              |
|-----------------------|------------------------------|
| 35 = 3.5 mm           | 11 = 11 mm                   |
| 45 = 4.5 mm           | 91 = 12 (outside dia. 15) mm |
| 50 = 5.0 mm           | 92 = 12 (outside dia. 16) mm |
| 55 = 5.3 mm or 5.5 mm | 12 = 12 (outside dia. 17) mm |
| 65 = 6.5 mm           | 14 = 14 mm                   |
| 70 = 7.0 mm           | 17 = 17 mm                   |
| 75 = 7.3 mm or 7.5 mm |                              |
| 80 = 8.0 mm           |                              |

ID./OD. Code : Vinyl Hose

- |                          |                            |                            |
|--------------------------|----------------------------|----------------------------|
| 01 = ID. 2.9, OD. 6.8 mm | 14 = ID. 6.0, OD. 9.0 mm   | 37 = ID. 11.0, OD. 15.0 mm |
| 03 = ID. 3.0, OD. 6.0 mm | 17 = ID. 7.0, OD. 9.0 mm   | 38 = ID. 12.0, OD. 13.0 mm |
| 05 = ID. 3.5, OD. 6.5 mm | 19 = ID. 7.0, OD. 11.0 mm  | 39 = ID. 12.0, OD. 14.0 mm |
| 07 = ID. 4.0, OD. 7.0 mm | 21 = ID. 8.0, OD. 9.0 mm   | 40 = ID. 12.0, OD. 16.0 mm |
| 08 = ID. 4.5, OD. 6.5 mm | 23 = ID. 8.0, OD. 12.0 mm  | 43 = ID. 13.0, OD. 15.0 mm |
| 09 = ID. 4.5, OD. 8.0 mm | 25 = ID. 9.0, OD. 11.0 mm  | 45 = ID. 14.0, OD. 18.0 mm |
| 12 = ID. 5.0, OD. 7.0 mm | 27 = ID. 9.0, OD. 13.0 mm  | 50 = ID. 16.0, OD. 19.0 mm |
| 10 = ID. 5.0, OD. 8.0 mm | 33 = ID. 10.0, OD. 14.0 mm | 55 = ID. 17.5, OD. 20.5 mm |
| 11 = ID. 5.0, OD. 9.0 mm | 36 = ID. 11.0, OD. 13.0 mm | 60 = ID. 22.0, OD. 27.0 mm |

Hose Type:

- 1 = Fuel Hose
- 3 = Vinyl Hose
- 5 = Vacuum Hose

**CAUTION: Never use vacuum / or vinyl hose in place of fuel hose or vice versa**

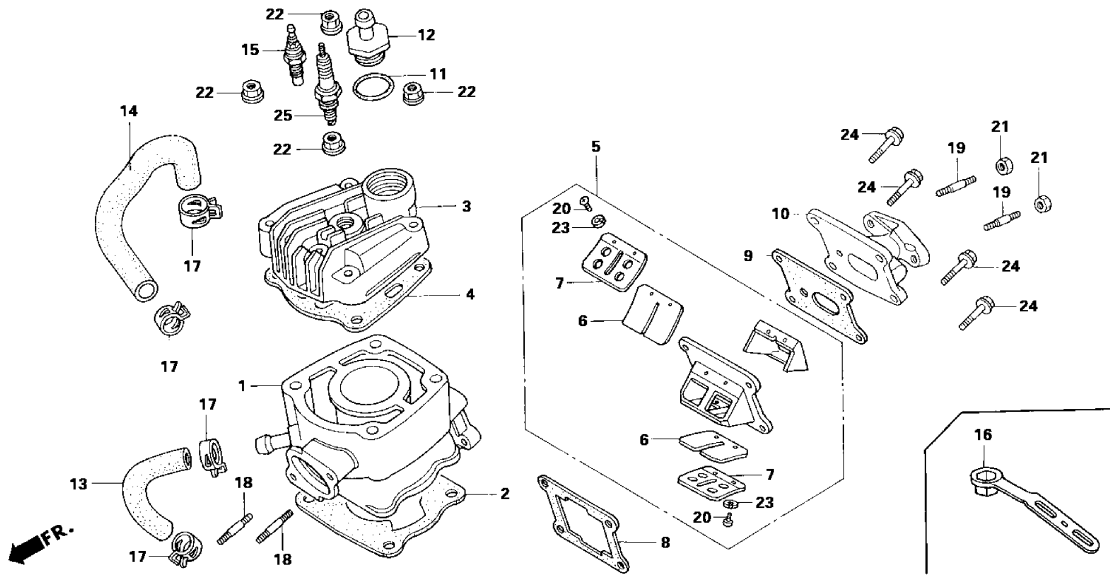
# MASTER INDEX

Title	Grid	Page	Title	Grid	Page
<b>ENGINE SECTION</b>					
CYLINDER HEAD .....	1-C1	1-2			
R. CRANKCASE COVER .....	1-C2	1-4			
WATERPUMP .....	1-C3	1-6			
CLUTCH .....	1-C3	1-7			
L. CRANKCASE COVER • AC GENERATOR .....	1-C4	1-8			
CRANKCASE .....	1-C4	1-9			
CRANKSHAFT • PISTON .....	1-C5	1-11			
TRANSMISSION .....	1-C6	1-12			
GEARSHIFT DRUM • GEARSHIFT FORK .....	1-C7	1-14			
CARBURETOR .....	1-C7	1-15			
<b>FRAME SECTION</b>					
SPEEDOMETER .....	1-D1	2-2			
HANDLE LEVER • SWITCH • CABLE .....	1-D1	2-3			
FRONT BRAKE MASTER CYLINDER .....	1-D2	2-5			
HANDLEBAR • TOP BRIDGE .....	1-D3	2-7			
STEERING STEM .....	1-D4	2-8			
FRONT FENDER .....	1-D4	2-9			
FRONT FORK .....	1-D5	2-10			
FRONT BRAKE CALIPER .....	1-D6	2-12			
FRONT WHEEL .....	1-D6	2-13			
RR BRAKE MASTER CYLINDER .....	1-D7	2-14			
RR BRAKE CALIPER .....	1-D8	2-16			
REAR WHEEL .....	1-D8	2-17			
FUEL TANK .....	1-D9	2-19			
RR COWL • SEAT .....	1-D10	2-21			
MUFFLER .....	1-D11	2-22			
SIDE STAND • PEDAL .....	1-D11	2-23			
STEP .....	1-D12	2-24			
SWINGARM • CHAIN CASE .....	1-D12	2-25			
REAR SHOCK ABSORBER .....	1-D13	2-27			
WIRE HARNESS .....	1-D14	2-28			
FRAME .....	1-D14	2-29			
RADIATOR .....	1-D15	2-30			
COWL .....	1-D16	2-32			

**ENGINE SECTION**  
**Chapter Table of Contents**

<b>Page Title</b>	<b>Grid</b>	<b>Page</b>
CYLINDER HEAD .....	1-C1	1-2
R. CRANKCASE COVER .....	1-C2	1-4
WATERPUMP .....	1-C3	1-6
CLUTCH .....	1-C3	1-7
L. CRANKCASE COVER • AC GENERATOR .....	1-C4	1-8
CRANKCASE .....	1-C4	1-9
CRANKSHAFT • PISTON .....	1-C5	1-11
TRANSMISSION .....	1-C6	1-12
GEARSHIFT DRUM • GEARSHIFT FORK .....	1-C7	1-14
CARBURETOR .....	1-C7	1-15

# CYLINDER HEAD



RS50E0100

4 =NSR50R'04

E-1

Engine  
Serial Number

Ref	Description	From	To	AREA	QTY	Part Number	H/C
1	CYLINDER, A (CODE A) .....	-----	-----		1	12110-GT4-970	6332720
	CYLINDER B .....	-----	-----		1	12120-GT4-970	7739048
	CYLINDER C .....	-----	-----		1	12130-GT4-970	7739055
2	GASKET, CYLINDER.....	-----	-----		1	12191-NLA-700	7739071
3	CYLINDER HEAD.....	-----	-----		1	12200-GT4-970	6332738
4	GASKET, CYLINDER HEAD .....	-----	-----		1	12251-GAA-003	6332746
5	VALVE, REED .....	-----	-----		1	14100-GT4-003	7739188
6	VALVE ONLY, REED .....	-----	-----		2	14111-GT4-003	7739204
7	STOPPER, REED VALVE .....	-----	-----		2	14121-GE2-004	7739212
8	GASKET, REED VALVE.....	-----	-----		1	14132-GAA-000	4587267
9	GASKET B, REED VALVE .....	-----	-----		1	14133-GAA-000	6332753
10	PIPE, INLET .....	-----	-----		1	17101-NLA-700	7739519
11	O-RING, THERMOSTAT (27.5X2.4) .....	-----	-----		1	19310-GE2-000	3355963
12	COVER, THERMOSTAT .....	-----	-----		1	19315-GT4-000	6332761
13	HOSE A, WATER.....	-----	-----		1	19501-GT4-000	3355997
14	HOSE B, WATER.....	-----	-----		1	19502-GT4-000	7739733
15	SENDING UNIT, WATER TEMPERATURE (DENSO) .....	-----	-----		1	37750-PC1-004	1130780

# CYLINDER HEAD

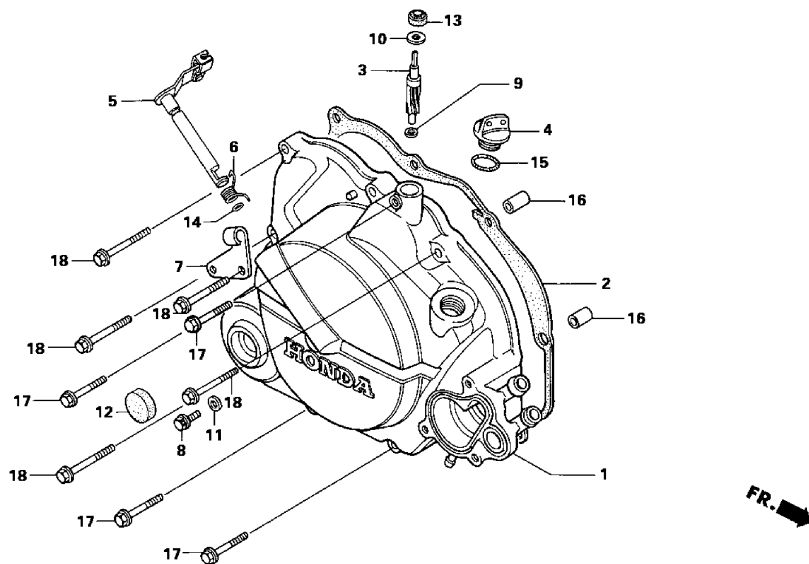
4 =NSR50R'04

E-1

Engine  
Serial Number

Ref	Description	From	To	AREA	QTY	Part Number	H/C
16	WRENCH, PLUG A .....	-----	-----		1	89216-KM9-000	7741895
17	CLAMP, CANISTER HOSE .....	-----	-----		4	90682-SB0-671	1485101
18	BOLT 2, STUD (8X22) .....	-----	-----		2	92900-08022-1B	1869668
19	BOLT, STUD (6X25).....	-----	-----		2	90032-399-000	2879302
20	SCREW, PAN (3X6).....	-----	-----		4	93500-03006-0H	0561654
21	NUT, HEX. (6MM).....	-----	-----		2	94001-06200-0S	2043255
22	NUT, FLANGE (8MM).....	-----	-----		4	94050-08000	0481143
23	WASHER, SPRING (3MM).....	-----	-----		4	94111-03000	0058941
24	BOLT, FLANGE (6X20) .....	-----	-----		4	96001-06020-00	2529154
25	SPARK PLUG (BR9ES) (NGK) .....	-----	-----		1	98079-59816	1074822
	SPARK PLUG (BR9ES) (NGK) .....	-----	-----		1	98079-59847	1357417
	SPARK PLUG (BR9ES) (NGK) .....	-----	-----		1	98079-59847-01	1830074

# R. CRANKCASE COVER



RS50E0200

4 =NSR50R'04

E-2

Engine  
Serial Number

Ref	Description	From	To	AREA	QTY	Part Number	H/C
1	COVER, R. CRANKCASE .....	-----	-----		1	11331-GT4-970	7738941
2	GASKET, R. CRANKCASE COVER .....	-----	-----		1	11393-GAA-000	5348644
3	GEAR, TACHOMETER .....	-----	-----		1	12431-166-000	1080712
4	CAP, OIL FILLER .....	-----	-----		1	15611-NF4-900	5907563
5	LEVER, CLUTCH .....	-----	-----		1	22810-166-000	1081447
6	SPRING, CLUTCH LEVER.....	-----	-----		1	22815-GT5-000	3356136
7	RECEIVER, CLUTCH CABLE .....	-----	-----		1	22821-GT4-970	7739824
8	BOLT, DRAIN (6X10) .....	-----	-----		1	90134-NX5-000	5922406
9	WASHER A, TACHOMETER .....	-----	-----		1	90444-611-920	1083161
10	WASHER, THRUST (6.7MM).....	-----	-----		1	90458-324-010	0248732
11	WASHER, SEALING (6.5X12) .....	-----	-----		1	90461-357-000	0350215
12	PLUG, SEALING (28) (ARAI) .....	-----	-----		1	90871-733-003	1490689
13	OIL SEAL (6.5X14.5X7) (ARAI) .....	-----	-----		1	91201-324-023	0821777
14	O-RING (8.8X1.9).....	-----	-----		1	91302-GE0-000	3333010
	O-RING (9MM) .....	-----	-----		1	91303-719-000	0465674
	O-RING (8.8X1.9).....	-----	-----		1	91308-PH9-000	2373470
15	O-RING (16MM) .....	-----	-----		1	91303-800-000	0065094
16	PIN A, DOWEL (8X14) .....	-----	-----		2	94301-08140	0069310

## R. CRANKCASE COVER

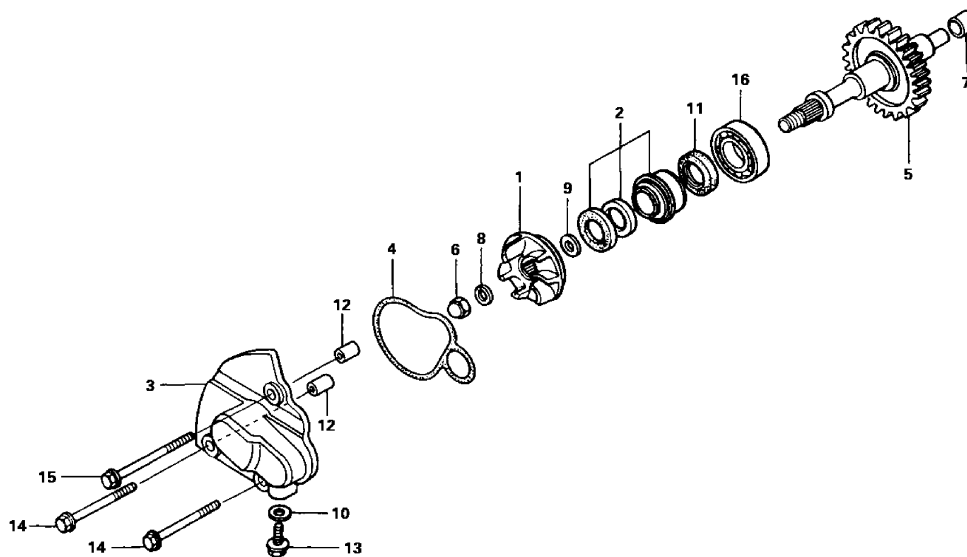
4 =NSR50R'04

E-2

Engine  
Serial Number

Ref	Description	From	To	AREA	QTY	Part Number	H/C
17	BOLT, FLANGE (6X28) .....	-----	-----		4	96001-06028-00	2106003
18	BOLT, FLANGE (6X35) .....	-----	-----		5	96001-06035-00	2112209

# WATERPUMP



RS50E0300

4 =NSR50R'04

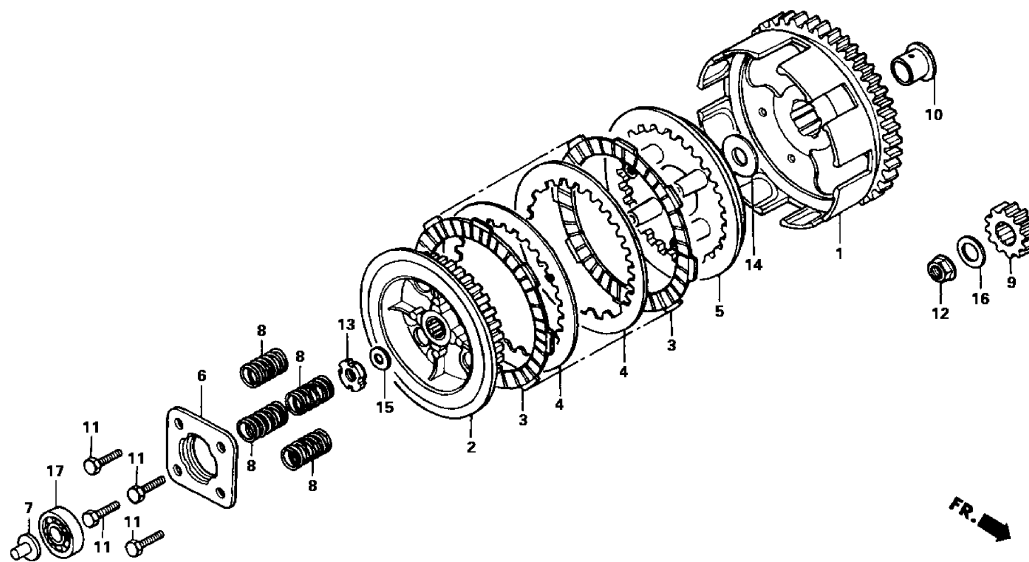
E-3

Engine  
Serial Number

Ref	Description	From	To	AREA	QTY	Part Number	H/C
1	IMPELLER, WATER PUMP .....	-----	-----		1	19125-GE2-000	7739717
2	SEAL, MECHANICAL .....	-----	-----		1	19217-657-023	1214451
3	COVER, WATER PUMP.....	-----	-----		1	19221-GT4-970	7739725
4	O-RING, WATER PUMP .....	-----	-----		1	19225-GE2-000	3355930
5	SHAFT, WATER PUMP .....	-----	-----		1	19230-GE2-020	3355948
6	NUT, CAP (6MM) .....	-----	-----		1	90201-415-000	0670729
7	BUSH (7MM) .....	-----	-----		1	90436-GE2-000	3361979
8	WASHER A, SEALING (6MM) .....	-----	-----		1	90443-035-000	0070987
9	WASHER (8X13) .....	-----	-----		1	90454-KA4-000	1032572
10	WASHER, SEALING (6.5X12) .....	-----	-----		1	90461-357-000	0350215
11	OIL SEAL (12X21X4) (NOK) .....	-----	-----		1	91201-035-013	0708917
	OIL SEAL (12X21X4) (ARAI) .....	-----	-----		1	91201-035-015	0965855
12	PIN A, DOWEL (8X14) .....	-----	-----		2	94301-08140	0069310
13	BOLT, FLANGE (6X10) .....	-----	-----		1	95701-06010-00	2410876
14	BOLT, FLANGE (6X60) .....	-----	-----		2	96001-06060-00	2112225
15	BOLT, FLANGE (6X70) .....	-----	-----		1	96001-06070-00	2112233
16	BEARING, RADIAL BALL (6001) .....	-----	-----		1	96100-60010-00	0722165



# CLUTCH



RS50E0400

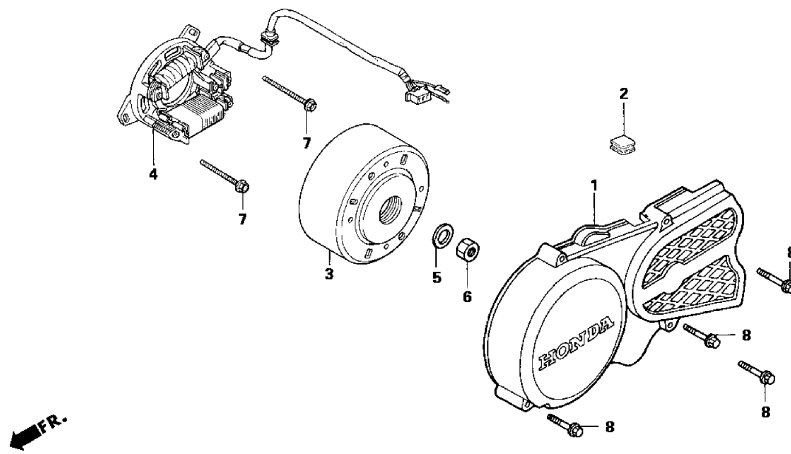
4 =NSR50R'04

E-4

Engine  
Serial Number

Ref	Description	From	To	AREA	QTY	Part Number	H/C
1	CLUTCH OUTER .....	-----	-----		1	22100-GT4-000	3356060
2	CENTER, CLUTCH .....	-----	-----		1	22121-GT5-000	7739766
3	DISK, CLUTCH FRICTION.....	-----	-----		4	22201-MR8-000	3715950
4	PLATE, CLUTCH .....	-----	-----		3	22311-KN4-680	2462216
	PLATE, CLUTCH .....	-----	-----		3	22311-107-000	0215012
5	PLATE, CLUTCH PRESSURE.....	-----	-----		1	22350-115-020	0307942
6	PLATE, CLUTCH LIFTER .....	-----	-----		1	22361-GT4-970	7739782
7	ROD, CLUTCH LIFTER .....	-----	-----		1	22365-GT4-970	7739790
8	SPRING, CLUTCH .....	-----	-----		4	22401-166-000	0913855
9	GEAR, PRIMARY DRIVE (17T) .....	-----	-----		1	23121-GE2-000	1357045
10	COLLAR (17X30.6) .....	-----	-----		1	28242-GT4-000	3356417
11	BOLT, HEX. (6X25) .....	-----	-----		4	90030-KL8-740	3821386
12	NUT, FLANGE (12MM).....	-----	-----		1	94050-12000	0671123
13	NUT, LOCK (14MM).....	-----	-----		1	90231-KBA-930	7742000
14	WASHER, PLAIN (17MM) .....	-----	-----		1	90401-GC4-730	1560358
15	WASHER B, THRUST (14MM).....	-----	-----		1	90428-958-000	0842013
16	WASHER, PLAIN (12MM) .....	-----	-----		1	90440-166-000	0913889
17	BEARING, RADIAL BALL (6903) .....	-----	-----		1	91007-KE1-003	1806298

# L. CRANKCASE COVER • AC GENERATOR



RS50E0500

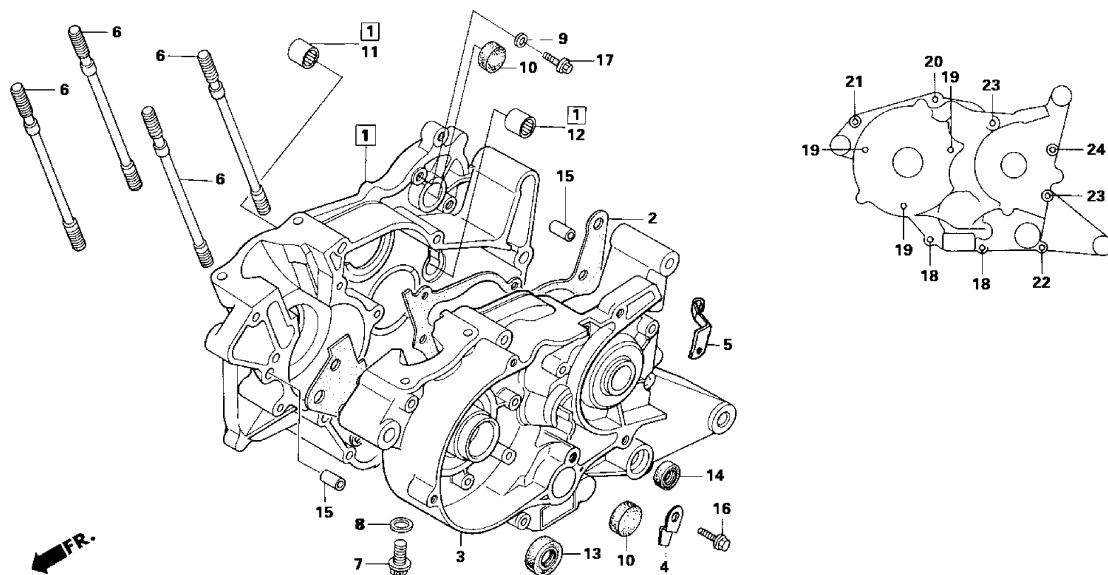
4 =NSR50R'04

E-5

Engine  
Serial Number

Ref	Description	From	To	AREA	QTY	Part Number	H/C
1	COVER, L. CRANKCASE.....	-----	-----		1	11340-GT4-970	7738974
2	RUBBER, SEAL .....	-----	-----		1	11345-GT5-000	7738990
3	FLYWHEEL (MITSUBA).....	-----	-----		1	31110-GJ1-008	3356573
4	STATOR.....	-----	-----		1	31120-GE2-771	7740301
5	WASHER, SEAL (12MM) .....	-----	-----		1	90441-166-000	0913996
6	NUT, HEX. (12MM).....	-----	-----		1	94001-12200-0S	0914010
7	BOLT, FLANGE (6X55) .....	-----	-----		3	95701-06055-00	2533834
8	BOLT, FLANGE (6X35) .....	-----	-----		4	96001-06035-00	2112209

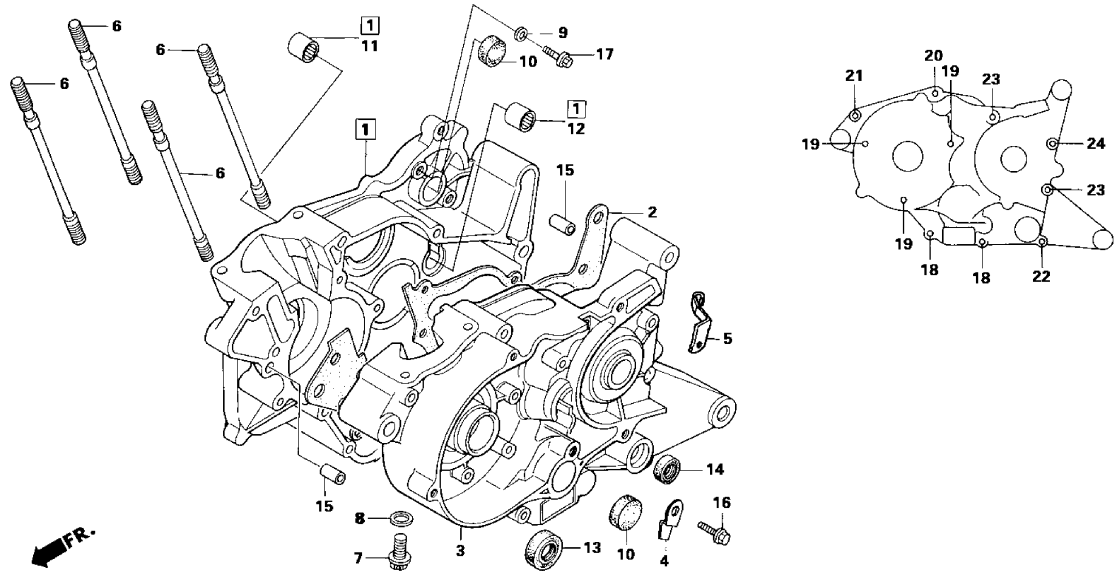
# CRANKCASE



RS50E0600

4 =NSR50R'04		E-6					
		Engine Serial Number					
Ref	Description	From	To	AREA	QTY	Part Number	H/C
1	CRANKCASE, R. ....	-----	-----		1	11100-GE4-050	6828115
2	GASKET, CRANKCASE.....	-----	-----		1	11191-GAA-000	4834644
3	CRANKCASE, L. ....	-----	-----		1	11200-GW6-721	7738925
4	STOPPER, SEAL .....	-----	-----		1	11209-NH3-760	5905666
5	CLAMP, OVERFLOW TUBE .....	-----	-----		1	16236-168-000	1081009
6	BOLT, CYLINDER STUD .....	-----	-----		4	90031-GE2-000	3361821
7	BOLT, DRAIN (12MM) .....	-----	-----		1	90081-NX4-700	5922067
8	GASKET, DRAIN VALVE (12.5X20).....	-----	-----		1	90407-259-000	0035295
9	WASHER, THRUST (11MM) .....	-----	-----		2	90425-300-000	0189795
10	PLUG, SEAL (22) .....	-----	-----		2	90851-735-802	7742042
11	BEARING, NEEDLE (1010) (TOYO) .....	-----	-----		1	91021-148-004	1182005
12	BEARING, NEEDLE (15MM) .....	-----	-----		1	91106-383-003	0914036
13	OIL SEAL (20X32X7) (NOK) .....	-----	-----		1	91205-166-004	0914044
14	OIL SEAL (12X22X7) (ARAI) .....	-----	-----		1	91209-612-003	0549006
15	PIN, DOWEL (8X20).....	-----	-----		2	94301-08200	1417369
16	BOLT, FLANGE (6X12) .....	-----	-----		1	96001-06012-00	2105930
17	BOLT, FLANGE (6X14) .....	-----	-----		2	96001-06014-00	2154672
18	BOLT, FLANGE (6X35) .....	-----	-----		2	96001-06035-00	2112209

# CRANKCASE



RS50E0600

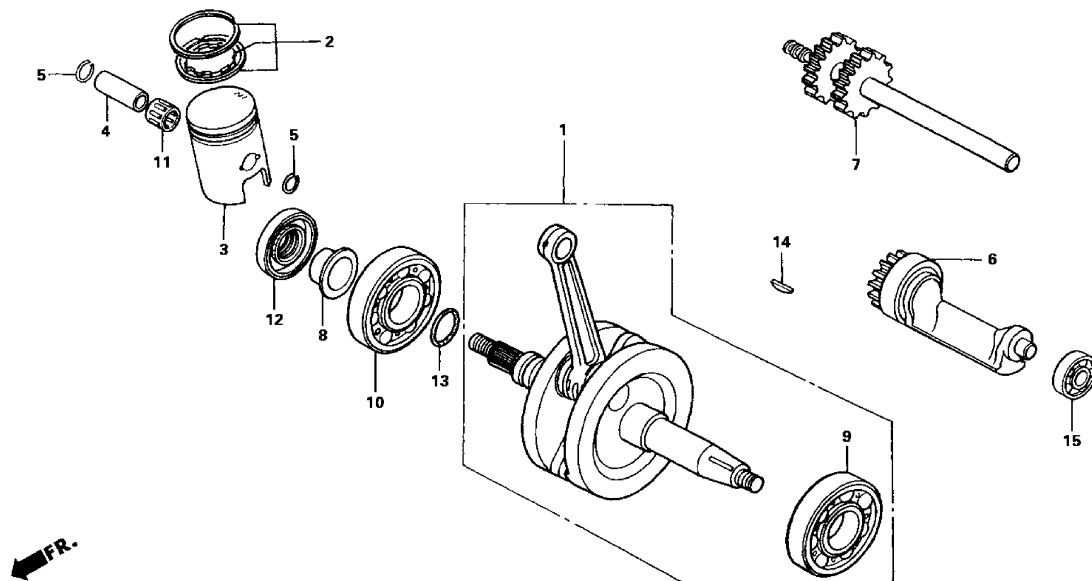
4 =NSR50R'04

E-6

Engine  
Serial Number

Ref	Description	From	To	AREA	QTY	Part Number	H/C
19	BOLT, FLANGE (6X40) .....	-----	-----		3	96001-06040-00	2106037
20	BOLT, FLANGE (6X50) .....	-----	-----		1	96001-06050-00	2106052
21	BOLT, FLANGE (6X55) .....	-----	-----		1	96001-06055-00	2112217
22	BOLT, FLANGE (6X60) .....	-----	-----		1	96001-06060-00	2112225
23	BOLT, FLANGE (6X65) .....	-----	-----		2	96001-06065-00	2545416
24	BOLT, FLANGE (6X110) .....	-----	-----		1	96001-06110-00	4032462

# CRANKSHAFT • PISTON



RS50E0700

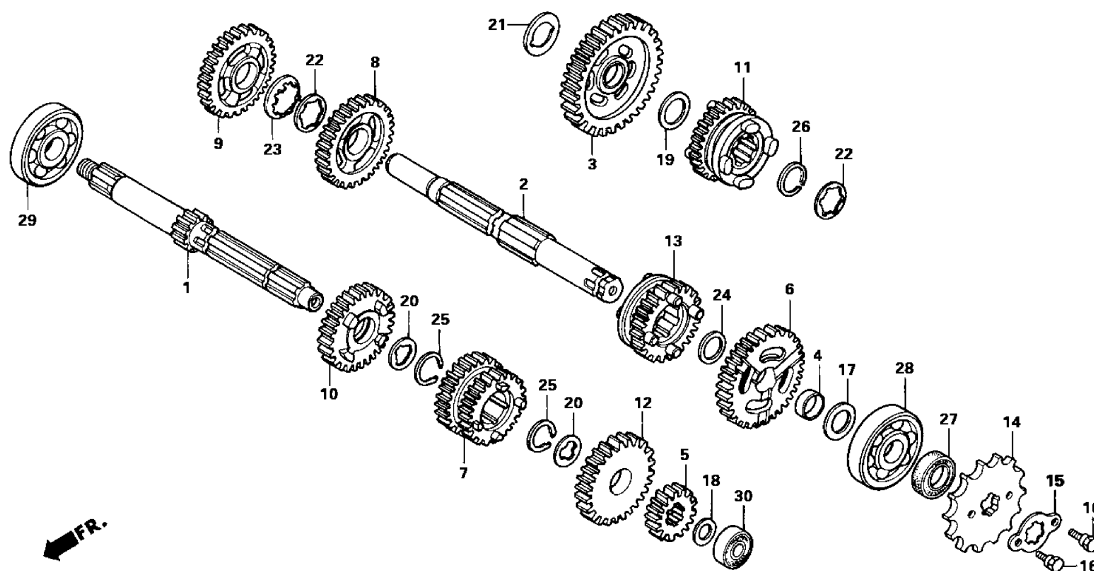
4 =NSR50R'04

E-7

Engine  
Serial Number

Ref	Description	From	To	AREA	QTY	Part Number	H/C
1	CRANKSHAFT .....	-----	-----		1	13000-GT4-690	5997556
2	RING SET, PISTON (STD).....	-----	-----		1	13011-GE2-305	3354750
3	PISTON A.....	-----	-----		1	13110-GE2-890	3354800
	PISTON B.....	-----	-----		1	13120-GE2-890	3354818
	PISTON C.....	-----	-----		1	13130-GE2-890	3354826
4	PIN, PISTON .....	-----	-----		1	13111-GZ0-000	4219804
5	CLIP, PISTON PIN (12MM) .....	-----	-----		2	13115-156-000	0914077
6	SHAFT, BALANCER.....	-----	-----		1	13420-GE2-000	3354875
7	SHAFT, BALANCER IDLE .....	-----	-----		1	13430-NLA-700	7739170
8	COLLAR, DRIVE GEAR.....	-----	-----		1	13617-GE3-610	3354891
9	BEARING, RADIAL BALL (6205) .....	-----	-----		1	91004-GE3-000	3362043
10	BEARING, RADIAL BALL (6205) .....	-----	-----		1	91004-GT4-711	7365323
11	BEARING, CONNECTING ROD SMALL END (TOMUSON) .....	-----	-----		1	91102-GC8-004	1451939
12	OIL SEAL (28X40X8) .....	-----	-----		1	91206-GE3-611	3362068
13	O-RING (18.5X1.8).....	-----	-----		1	91354-GAS-901	7742109
14	KEY, WOODRUFF (25X14) .....	-----	-----		1	94401-25140	0145425
15	BEARING, RADIAL BALL (6201) .....	-----	-----		1	96100-62010-00	0802678

# TRANSMISSION



RS50E0800

4 =NSR50R'04

E-8

Engine  
Serial Number

Ref	Description	From	To	AREA	QTY	Part Number	H/C
1	SHAFT, MAIN .....	-----	-----		1	23211-GT4-970	7739865
2	COUNTERSHAFT, TRANSMISSION .....	-----	-----		1	23221-166-601	2915411
3	GEAR (C1ST) .....	-----	-----		1	23420-166-600	7739907
4	BUSH (17MM) .....	-----	-----		1	23431-166-600	0914143
5	GEAR (M2ND) .....	-----	-----		1	23441-166-600	7739949
6	GEAR (C?2ND) .....	-----	-----		1	23451-166-600	6592844
7	GEAR (M?3RD?4TH) .....	-----	-----		1	23461-166-600	6592851
8	GEAR (C-3RD) .....	-----	-----		1	23471-166-600	7739980
9	GEAR (C-4TH) .....	-----	-----		1	23482-166-600	7740004
10	GEAR (M-5TH) .....	-----	-----		1	23491-166-600	7740020
11	GEAR (C-5TH) .....	-----	-----		1	23501-166-600	7740046
12	GEAR (M-6TH) .....	-----	-----		1	23511-166-600	7740061
13	GEAR (C-6TH) .....	-----	-----		1	23515-166-600	7740087
14	SPROCKET, DRIVE (14T) .....	-----	-----		1	23800-040-010	0263582
15	PLATE, DRIVE SPROCKET FIXING .....	-----	-----		1	23802-040-000	0168054
16	BOLT, DRIVE SPROCKET FIXING .....	-----	-----		2	90084-041-000	0174995
17	WASHER, THRUST (17.2MM) .....	-----	-----		1	90446-357-000	0322180
18	WASHER, THRUST (12MM) .....	-----	-----		1	90452-166-600	0914150

# TRANSMISSION

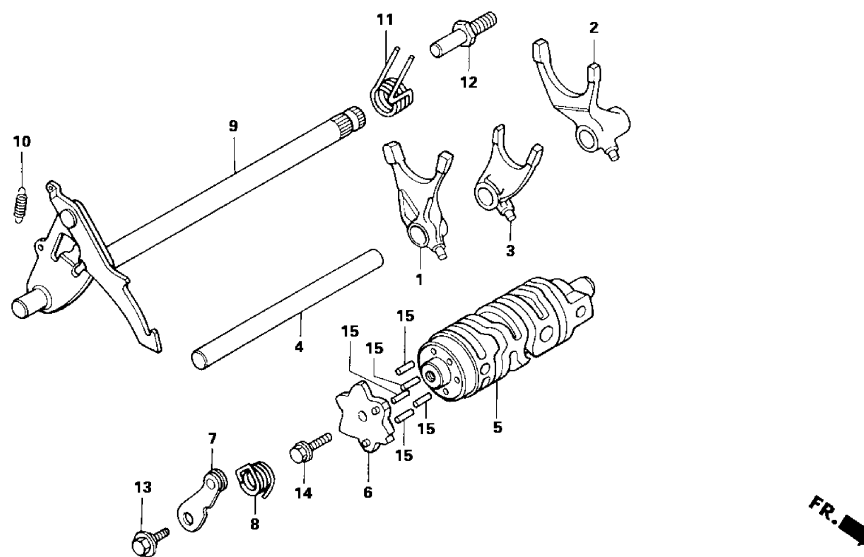
4 =NSR50R'04

E-8

Engine  
Serial Number

Ref	Description	Engine Serial Number		AREA	QTY	Part Number	H/C
		From	To				
19	WASHER, THRUST (16.5MM) .....	-----	-----		1	90452-437-000	0706952
20	WASHER, SPLINE (17MM) .....	-----	-----		2	90461-115-000	0309039
21	WASHER, THRUST (15MM) .....	-----	-----		1	90463-166-000	0914168
22	WASHER A, SPLINE (19MM) .....	-----	-----		2	90464-166-000	0914176
23	WASHER, LOCK (19MM).....	-----	-----		1	90465-166-600	0914184
24	WASHER, THRUST (17MM) .....	-----	-----		1	90466-166-600	0914192
25	CIRCLIP (OUTER) (17MM) .....	-----	-----		2	90601-001-000	0003707
26	CIRCLIP (19MM) .....	-----	-----		1	90602-166-010	1393313
27	OIL SEAL (17X28X7) .....	-----	-----		1	91201-415-013	1239151
28	BEARING, RADIAL BALL (6303) .....	-----	-----		1	96100-63030-00	0914218
29	BEARING, RADIAL BALL (6303) .....	-----	-----		1	96120-63030-00	0914226
30	BEARING, RADIAL BALL (6001) .....	-----	-----		1	96140-60010-00	0914234

# GEARSHIFT DRUM • GEARSHIFT FORK



RS50E0900

4 =NSR50R'04

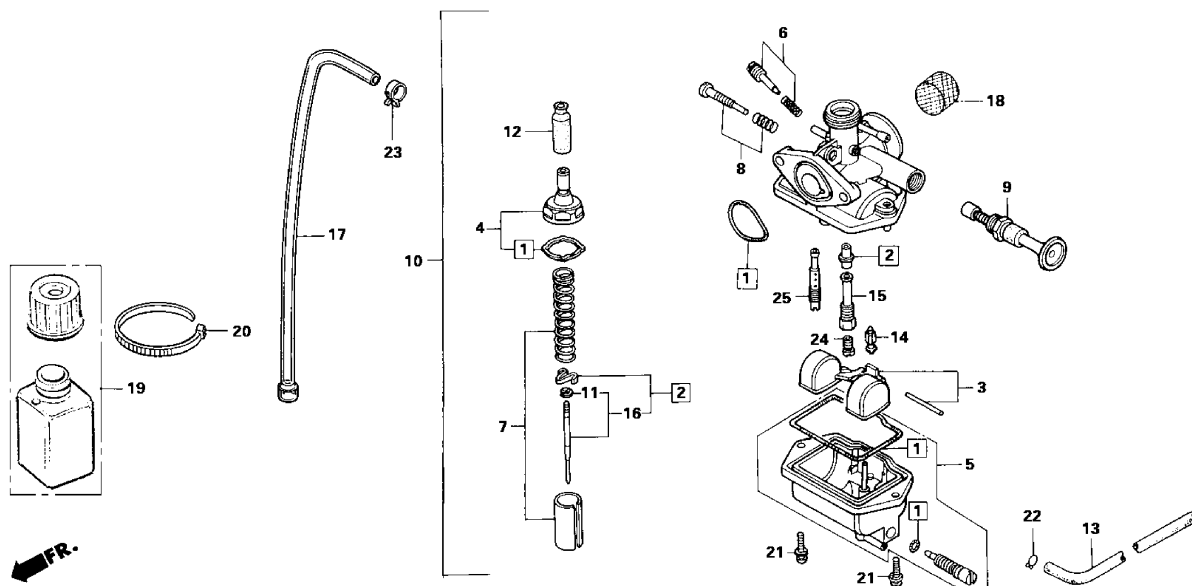
E-9

Engine  
Serial Number

Ref	Description	From	To	AREA	QTY	Part Number	H/C
1	FORK, R. GEARSHIFT.....	-----	-----		1	24210-GT5-000	3356292
2	FORK, L. GEARSHIFT.....	-----	-----		1	24221-GT5-000	3356300
3	FORK, CENTER GEARSHIFT.....	-----	-----		1	24230-GT5-000	3356318
4	SHAFT, GEARSHIFT FORK.....	-----	-----		1	24241-GT4-970	7740145
5	DRUM, GEARSHIFT.....	-----	-----		1	24301-GE2-740	7740152
6	PLATE, DRUM CAM.....	-----	-----		1	24303-GE2-000	7740178
7	STOPPER, GEARSHIFT DRUM.....	-----	-----		1	24430-166-000	0914309
8	SPRING, DRUM STOPPER.....	-----	-----		1	24436-GT4-000	7740202
9	SPINDLE, GEARSHIFT.....	-----	-----		1	24610-168-000	2960730
10	SPRING, GEARSHIFT ARM.....	-----	-----		1	24641-166-000	0914325
11	SPRING, GEARSHIFT RETURN.....	-----	-----		1	24651-GT4-000	7740228
12	PIN, SHIFT RETURN SPRING.....	-----	-----		1	24652-035-000	0070698
13	BOLT, GEARSHIFT DRUM STOPPER ARM PIVOT.....	-----	-----		1	90023-041-010	2494375
14	BOLT, FLANGE (6X16).....	-----	-----		1	95701-06016-08	2105807
15	ROLLER (4X15.8).....	-----	-----		5	96220-40158	0345066



# CARBURETOR



RS50E1000

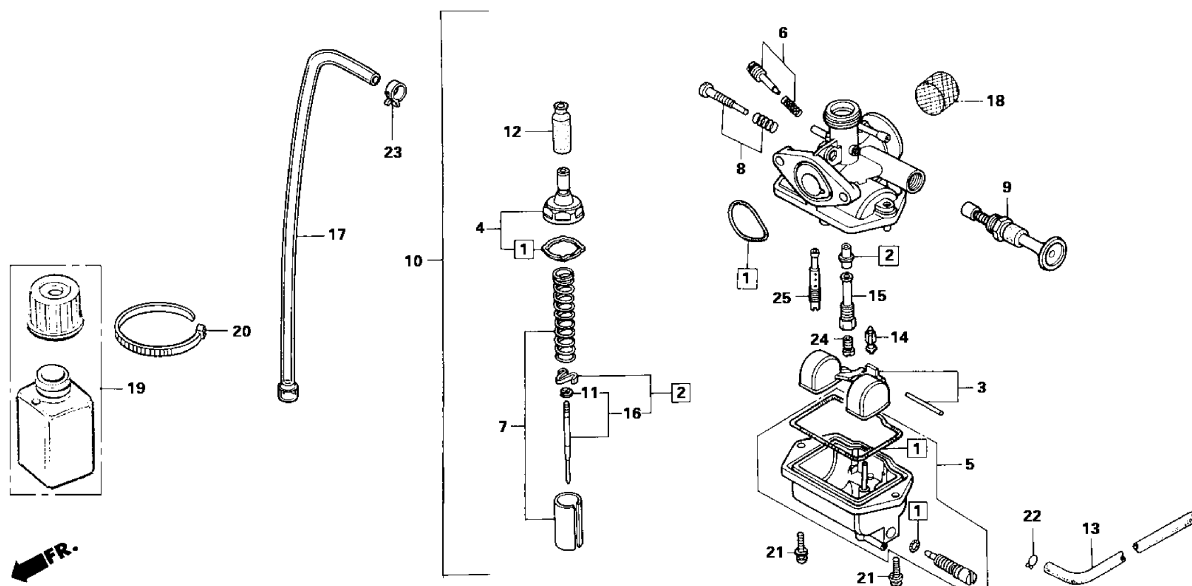
4 =NSR50R'04

E-10

Engine  
Serial Number

Ref	Description	From	To	AREA	QTY	Part Number	H/C
1	GASKET SET .....	-----	-----		1	16010-166-004	1080902
2	NEEDLE SET, JET.....	-----	-----		1	16012-NLA-003	7739360
3	FLOAT SET .....	-----	-----		1	16013-166-014	6473250
4	TOP SET .....	-----	-----		1	16014-GC5-611	5065230
5	CHAMBER SET, FLOAT .....	-----	-----		1	16015-166-014	6308340
6	SCREW SET, A .....	-----	-----		1	16016-GB4-003	1670272
7	VALVE SET, THROTTLE .....	-----	-----		1	16022-NLA-003	7739386
8	SCREW SET B.....	-----	-----		1	16028-166-004	0822783
9	VALVE SET, STARTER.....	-----	-----		1	16046-GM2-014	7739394
10	CARBURETOR ASSY. (PF70M) .....	-----	-----		1	16100-NLA-003	7739402
11	CLIP, BAR .....	-----	-----		1	16115-GHB-610	4920682
12	CAP, CABLE SEALING .....	-----	-----		1	16148-KB1-921	3715653
13	TUBE, OVERFLOW .....	-----	-----		1	16144-MA1-671	1053362
14	VALVE, FLOAT.....	-----	-----		1	16155-NLA-003	7739428
15	HOLDER, NEEDLE JET .....	-----	-----		1	16165-GT4-003	3368347
16	NEEDLE SET, JET.....	-----	-----		1	16201-NLA-003	7739451
	NEEDLE SET, JET.....	-----	-----		(1)	16202-NLA-003	7739469
	NEEDLE SET, JET.....	-----	-----		(1)	16203-NLA-003	7743529

# CARBURETOR



RS50E1000

4 =NSR50R'04

E-10

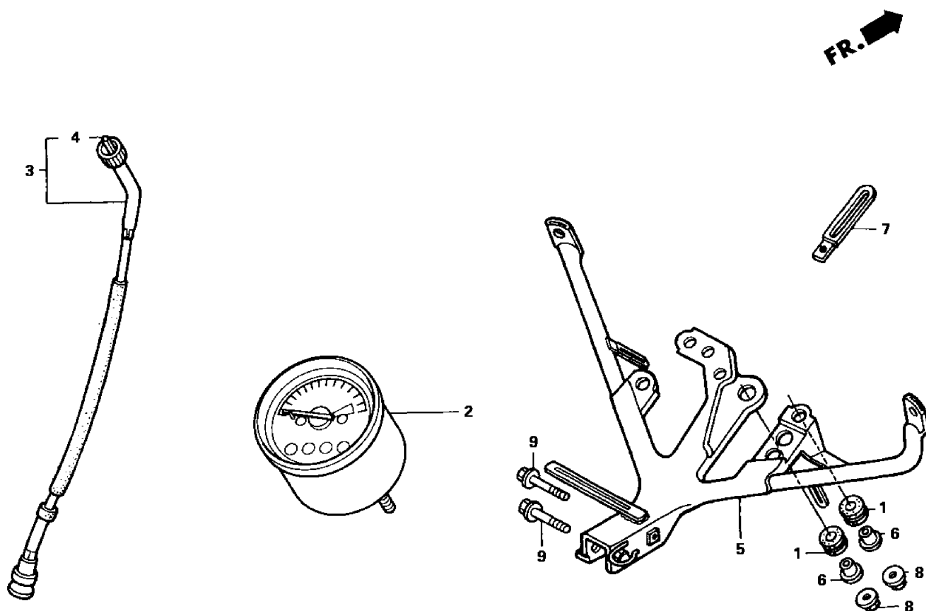
Engine  
Serial Number

Ref	Description	From	To	AREA	QTY	Part Number	H/C
17	TUBE, OIL .....	-----	-----		1	17504-147-010	0486415
18	CAP, CARBURETOR .....	-----	-----		1	17519-NKL-000	7739576
19	TANK, CATCH .....	-----	-----		1	19601-NF4-750	5910898
20	TIE-WRAP (3.6X281) .....	-----	-----		1	90651-NC8-000	5923081
21	SCREW-WASHER (4X16) .....	-----	-----		2	93892-04016-08	0627927
22	CLIP, TUBE (B18) .....	-----	-----		1	95002-02089	4125571
23	CLIP, TUBE (D8) .....	-----	-----		1	95002-40800-08	0660811
24	JET, MAIN (#102).....	-----	-----		(1)	99101-166-1020	7742232
	JET, MAIN (#105).....	-----	-----		(1)	99101-166-1050	1083435
	JET, MAIN (#110).....	-----	-----		1	99101-166-1100	7742240
	JET, MAIN (#115).....	-----	-----		(1)	99101-166-1150	5137757
	JET, MAIN (#118).....	-----	-----		(1)	99101-166-1180	7742257
	JET, MAIN (#120).....	-----	-----		(1)	99101-166-1200	7742265
	JET, MAIN (#100).....	-----	-----		(1)	99110-GHB-1000	7742273
	JET, MAIN (#108).....	-----	-----		(1)	99110-GHB-1080	7742281
	JET, MAIN (#112).....	-----	-----		(1)	99110-GHB-1120	7742299
25	JET, SLOW (#42) .....	-----	-----		1	99103-168-0420	6873889

## FRAME SECTION Chapter Table of Contents

Page Title	Grid	Page
SPEEDOMETER.....	1-D1	2-2
HANDLE LEVER • SWITCH • CABLE.....	1-D1	2-3
FRONT BRAKE MASTER CYLINDER.....	1-D2	2-5
HANDLEBAR • TOP BRIDGE.....	1-D3	2-7
STEERING STEM.....	1-D4	2-8
FRONT FENDER.....	1-D4	2-9
FRONT FORK.....	1-D5	2-10
FRONT BRAKE CALIPER.....	1-D6	2-12
FRONT WHEEL.....	1-D6	2-13
RR BRAKE MASTER CYLINDER.....	1-D7	2-14
RR BRAKE CALIPER.....	1-D8	2-16
REAR WHEEL.....	1-D8	2-17
FUEL TANK.....	1-D9	2-19
RR COWL • SEAT.....	1-D10	2-21
MUFFLER.....	1-D11	2-22
SIDE STAND • PEDAL.....	1-D11	2-23
STEP.....	1-D12	2-24
SWINGARM • CHAIN CASE.....	1-D12	2-25
REAR SHOCK ABSORBER.....	1-D13	2-27
WIRE HARNESS.....	1-D14	2-28
FRAME.....	1-D14	2-29
RADIATOR.....	1-D15	2-30
COWL.....	1-D16	2-32

# SPEEDOMETER



RS50F0100

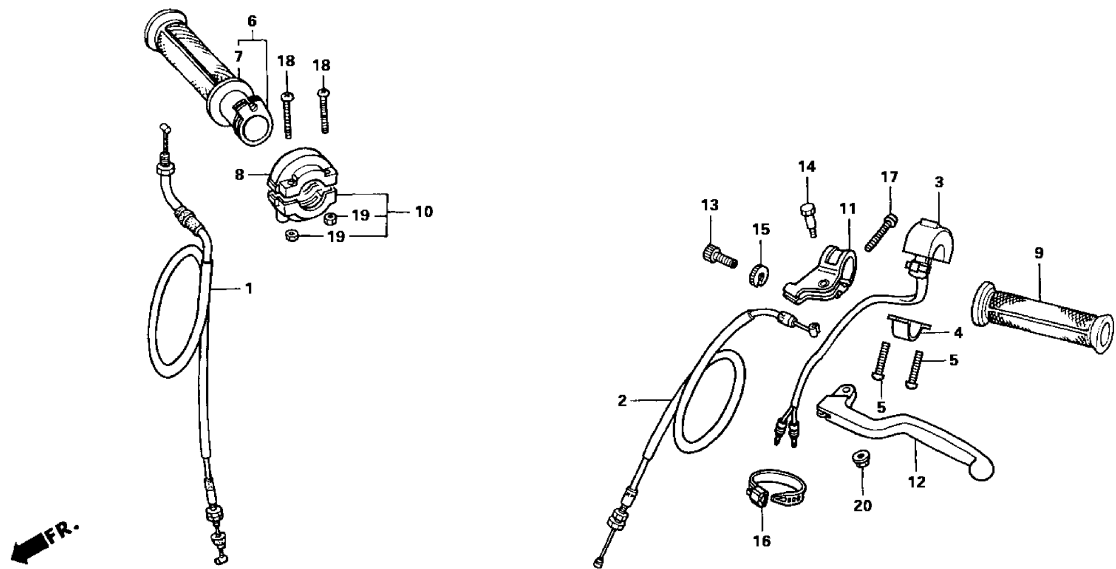
4 =NSR50R'04

F-1

Frame  
Serial Number

Ref	Description	Frame Serial Number		AREA	QTY	Part Number	H/C
		From	To				
1	RUBBER, SPEEDOMETER.....	-----	-----		2	37101-GT5-000	6264600
2	TACHOMETER ASSY.....	-----	-----		1	37250-NLA-003	7743412
3	CABLE ASSY., TACHOMETER.....	-----	-----		1	37260-GT4-000	7740384
4	CABLE (INNER).....	-----	-----		1	37261-GT4-000	7740392
5	STAY, FR. COWL (UPPER).....	-----	-----		1	64501-GT4-690ZA	7741747
6	COLLAR, METER.....	-----	-----		2	83119-GT4-000	4485256
7	CLIP, CABLE.....	-----	-----		1	91405-671-000	0612549
8	NUT, FLANGE (6MM).....	-----	-----		2	94050-06000	0471623
9	BOLT, FLANGE (6X30).....	-----	-----		2	95801-06030-00	3509809

# HANDLE LEVER • SWITCH • CABLE



RS50F0200

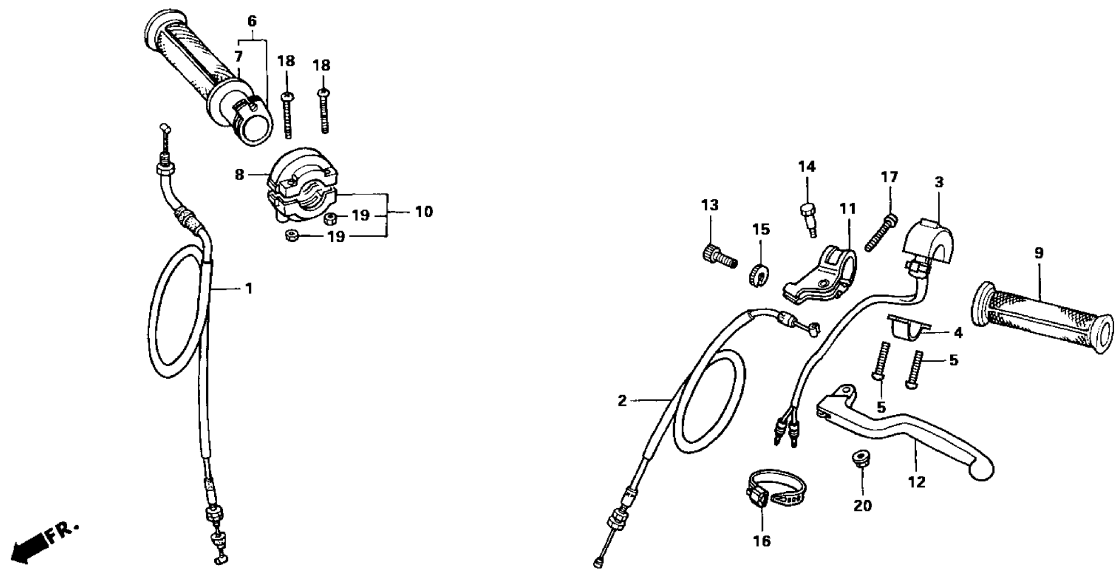
4 =NSR50R'04

F-2

Frame  
Serial Number

Ref	Description	From	To	AREA	QTY	Part Number	H/C
1	CABLE, THROTTLE.....	-----	-----		1	17910-NLA-000	7739600
2	CABLE, CLUTCH.....	-----	-----		1	22870-GT4-690	7739857
3	SWITCH ASSY., KILL.....	-----	-----		1	35130-KR8-000	3345675
4	PLATE, SETTING.....	-----	-----		1	35132-KR5-013	3577897
5	SCREW, PAN (4X12).....	-----	-----		2	35133-KJ2-003	2252963
6	GRIP, THROTTLE .....	-----	-----		1	53140-GE2-761	6513022
7	GRIP, R. HANDLE .....	-----	-----		1	53165-GM9-741	4583159
8	HOUSING, THROTTLE .....	-----	-----		1	53167-GE4-000	5104971
9	GRIP, L. HANDLE .....	-----	-----		1	53166-GM9-740	3450749
10	HOUSING, THROTTLE (LOWER).....	-----	-----		1	53168-166-000	1720655
11	BRACKET, L. HANDLE LEVER.....	-----	-----		1	53172-GC4-000	1193903
12	LEVER, L. HANDLEBAR .....	-----	-----		1	53178-KZ4-A10	4860342
13	BOLT, CABLE ADJUSTING.....	-----	-----		1	53192-268-000	0047258
14	BOLT, HANDLE LEVER PIVOT.....	-----	-----		1	90114-428-870	0812651
15	NUT, FIXING .....	-----	-----		1	90321-MA6-750	2043065
16	BAND, WIRE .....	-----	-----		1	90652-KT1-771	2710416
17	SCREW, PAN (5X20).....	-----	-----		1	93500-05020-0G	0294181
18	SCREW, PAN (5X22).....	-----	-----		2	93500-05022-0G	1083260

# HANDLE LEVER • SWITCH • CABLE



RS50F0200

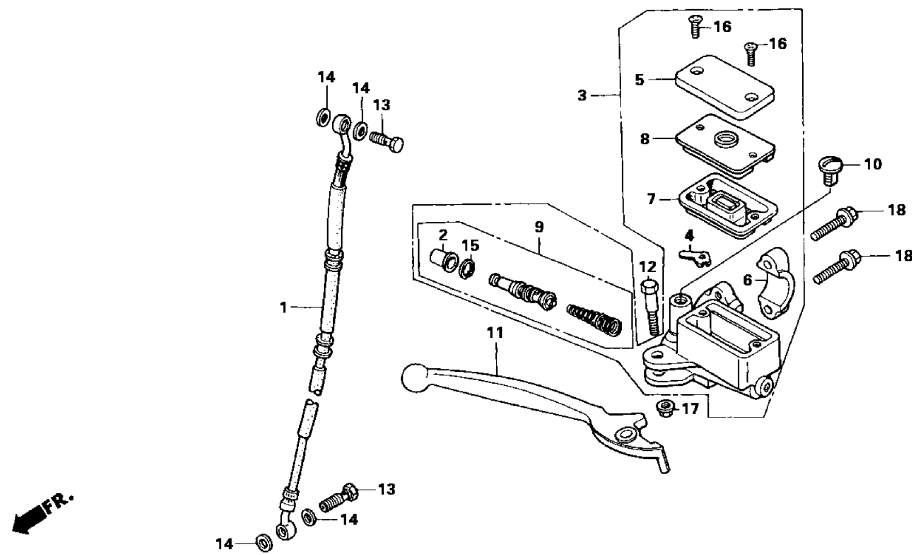
4 =NSR50R'04

F-2

Frame  
Serial Number

Ref	Description	From	To	AREA	QTY	Part Number	H/C
19	NUT, HEX. (5MM).....	-----	-----		2	94001-05070-0S	1083278
20	NUT, HEX. (6MM).....	-----	-----		1	94001-06200-0S	2043255

# FRONT BRAKE MASTER CYLINDER



RS50F0300

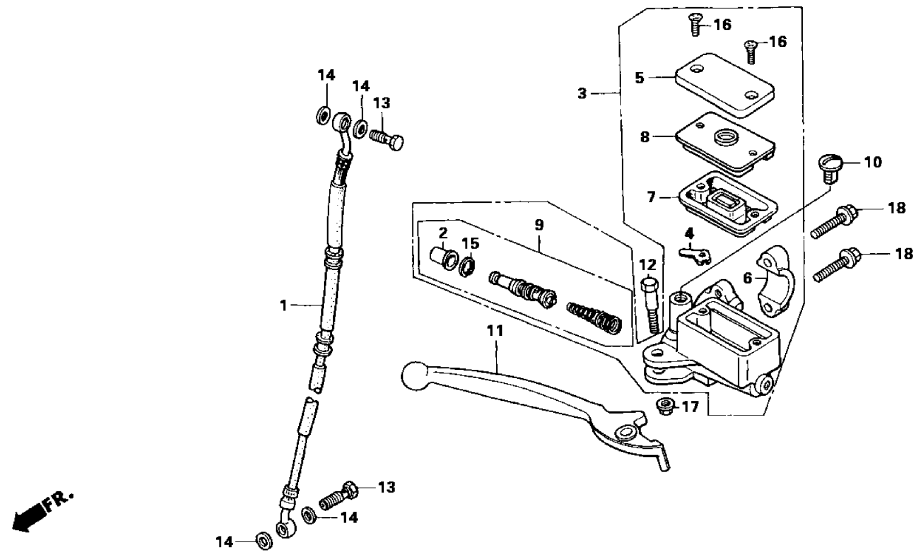
4 =NSR50R'04

F-3

Frame  
Serial Number

Ref	Description	From	To	AREA	QTY	Part Number	H/C
1	HOSE, FR. BRAKE.....	-----	-----		1	45126-NLA-003	7740889
2	BOOT .....	-----	-----		1	45504-410-003	1211820
3	SUB-ASSY., FR. MASTER CYLINDER.....	-----	-----		1	45510-NLA-710	7740988
4	PROTECTOR.....	-----	-----		1	45512-MA6-006	1235688
5	CAP, MASTER CYLINDER .....	-----	-----		1	45513-HA2-006	1828243
6	HOLDER, MASTER CYLINDER.....	-----	-----		1	45517-166-006	1082338
7	DIAPHRAGM .....	-----	-----		1	45520-MG7-006	1828250
8	PLATE, DIAPHRAGM.....	-----	-----		1	45521-HA2-006	1828268
9	MASTER CYLINDER SET .....	-----	-----		1	45530-471-831	1544543
10	PLUG, HANDLEBAR BRACKET .....	-----	-----		1	53174-116-670	0316117
11	LEVER, R. HANDLEBAR .....	-----	-----		1	53175-GW2-013	5105093
12	BOLT, HANDLEBAR PIVOT.....	-----	-----		1	90114-166-006	1047349
13	BOLT, OIL (10X22).....	-----	-----		2	90145-MS9-612	5369418
14	WASHER, OIL BOLT .....	-----	-----		4	90545-300-000	0189902
15	CIRCLIP .....	-----	-----		1	90651-MA5-671	1251404
16	SCREW, FLAT (4X12) .....	-----	-----		2	93600-04012-0G	1218601
	SCREW, FLAT (4X12) .....	-----	-----		2	93600-04012-1G	1237346
17	NUT, FLANGE (6MM).....	-----	-----		1	94050-06000	0471623

# FRONT BRAKE MASTER CYLINDER



RS50F0300

4 =NSR50R'04

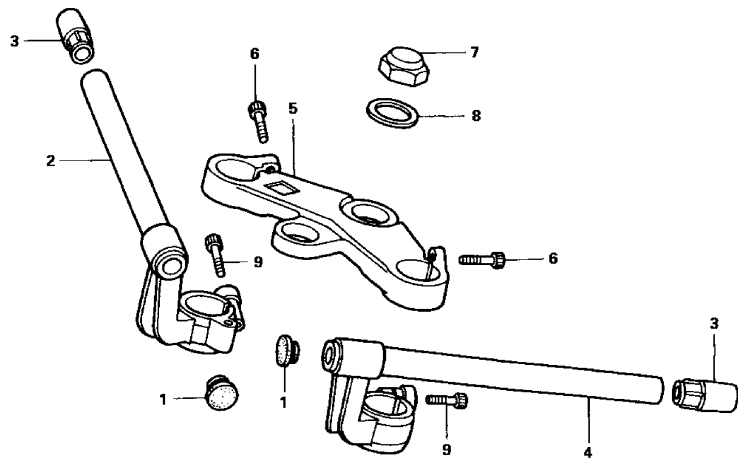
F-3

Frame  
Serial Number

Ref	Description	From	To	AREA	QTY	Part Number	H/C
	18 BOLT, FLANGE (6X22) .....	-----	-----		2	96001-06022-07	2105971



# HANDLEBAR • TOP BRIDGE



RS50F0400

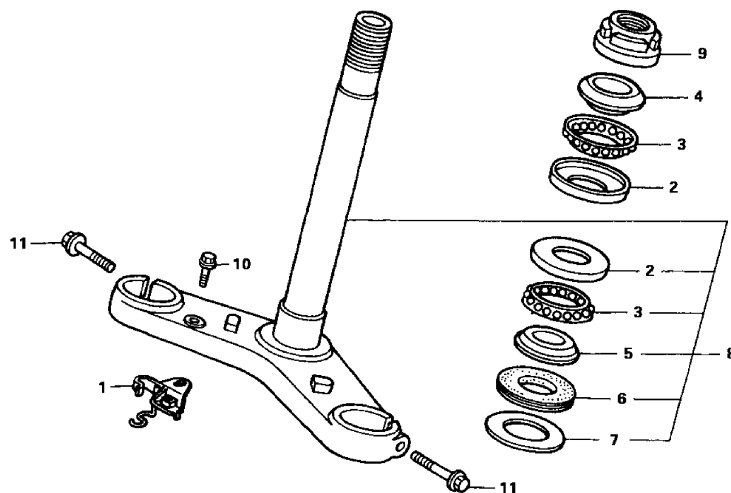
4 =NSR50R'04

F-4

Frame  
Serial Number

Ref	Description	From	To	AREA	QTY	Part Number	H/C
1	GROMMET, SIDE COVER (A).....	-----	-----		2	19902-865-780	1081439
2	HANDLEBAR, R. ....	-----	-----		1	53100-GT4-970ZA	7741556
3	END, HANDLEBAR .....	-----	-----		2	53105-GR1-710	2908663
4	HANDLEBAR, L.....	-----	-----		1	53150-GT4-970ZA	7741580
5	BRIDGE, FORK TOP .....	-----	-----		1	53230-NLA-000	7741614
6	BOLT, SOCKET (8X25) .....	-----	-----		2	90101-GT4-970	7741960
7	NUT, STEERING STEM.....	-----	-----		1	90304-159-000	0953331
8	WASHER, STEERING STEM.....	-----	-----		1	90503-051-870	0358028
9	BOLT, SOCKET (8X25) .....	-----	-----		2	96700-08025-07	7742182

# STEERING STEM



RS50F0500

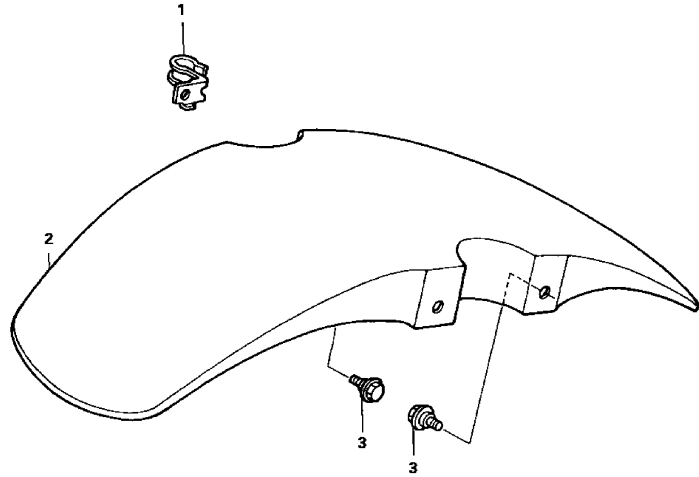
4 =NSR50R'04

F-5

Frame  
Serial Number

Ref	Description	From	To	AREA	QTY	Part Number	H/C
1	CLIP, BRAKE HOSE .....	-----	-----		1	45127-GAA-010	7740897
2	RACE, STEERING TOP BALL .....	-----	-----		2	50301-041-010	2136414
3	BALL ASSY., STEERING STEEL.....	-----	-----		2	53210-GS9-003	2758811
4	RACE, STEERING CONE (UPPER) .....	-----	-----		1	53211-028-010	2136836
5	RACE, STEERING CONE (LOWER) .....	-----	-----		1	53212-030-010	2136844
6	DUST SEAL, STEERING HEAD .....	-----	-----		1	53214-001-010	0009076
7	WASHER, STEERING HEAD DUST SEAL .....	-----	-----		1	53215-001-000	0009084
8	STEM SUB-ASSY., STEERING .....	-----	-----		1	53219-GT4-J00	7741606
9	THREAD, STEERING HEAD TOP .....	-----	-----		1	53220-074-000	0183715
10	BOLT, FLANGE (6X12) .....	-----	-----		1	95701-06012-07	2387108
11	BOLT, FLANGE (8X32) .....	-----	-----		2	96300-08032-07	2711778

# FRONT FENDER



RS50F0600

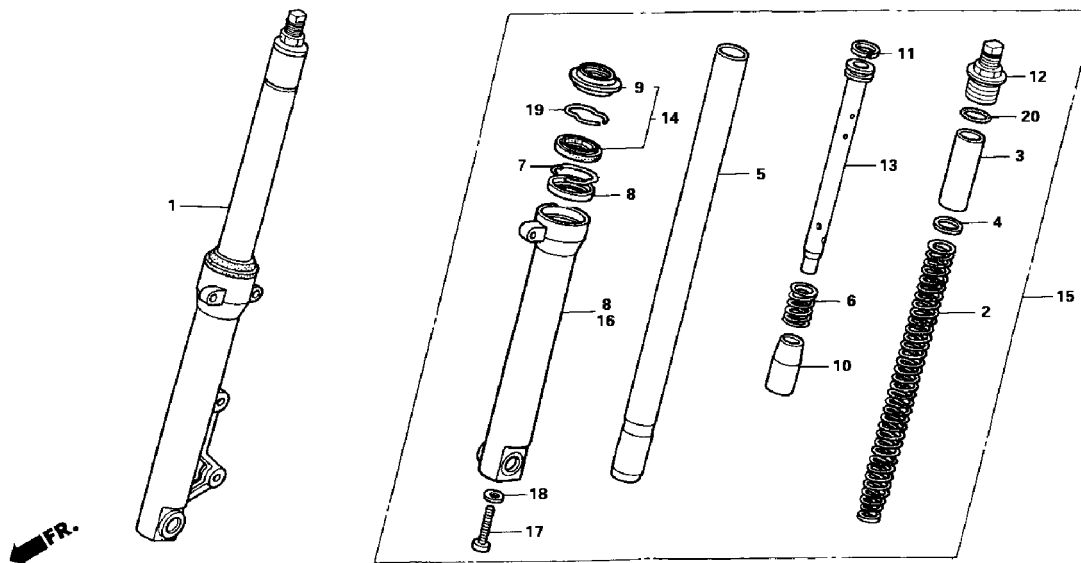
4 =NSR50R'04

F-6

Frame  
Serial Number

Ref	Description	From	To	AREA	QTY	Part Number	H/C
1	CLAMP, FR. BRAKE HOSE .....	-----	-----		1	45156-GAA-010	7740905
2	FENDER, FR. ....	-----	-----		1	61100-NLA-000	7741648
3	BOLT, FLANGE (6MM).....	-----	-----		4	90111-GJ5-000	2410553

# FRONT FORK



RS50F0700

4 =NSR50R'04

F-7

Frame  
Serial Number

Ref	Description	From	To	AREA	QTY	Part Number	H/C
1	FORK ASSY., R. FR. ....	-----	-----		1	51400-NLA-003	7741168
2	SPRING, FR. FORK KGF/MM (K=0) (.5) (SHOWA) .....	-----	-----		2	51401-NLA-003	7741184
	SPRING, FR. FORK KGF/MM (K=0) (.55) (SHOWA) .....	-----	-----		(2)	51402-NLA-003	7741218
3	COLLAR, SPRING .....	-----	-----		2	51402-GT4-971	7741200
4	PLATE, SPRING JOINT .....	-----	-----		2	51403-KW6-961	7741234
5	PIPE, FR. FORK.....	-----	-----		2	51410-GT4-971	7741259
6	SPRING, FR. FORK REBOUND .....	-----	-----		2	51412-GC4-003	1193556
7	RING, BACK-UP.....	-----	-----		2	51412-NLA-003	7741275
8	SLIDER, R. FR. FORK .....	-----	-----		1	51420-GT4-003ZB	7741291
9	DUST SEAL .....	-----	-----		2	51425-961-013	1064260
10	PIECE, OIL LOCK .....	-----	-----		2	51432-GF5-731	2097558
11	RING, PISTON .....	-----	-----		2	51437-GS3-003	2758621
12	BOLT, FORK .....	-----	-----		2	51450-NLA-003	7741317
13	PIPE, SEAT (SHOWA).....	-----	-----		2	51470-NLA-003	7741333
14	SEAL SET, FR. FORK .....	-----	-----		2	51490-GS9-305	2758647
15	FORK ASSY., L. FR. ....	-----	-----		1	51500-NLA-003	7741358

# FRONT FORK

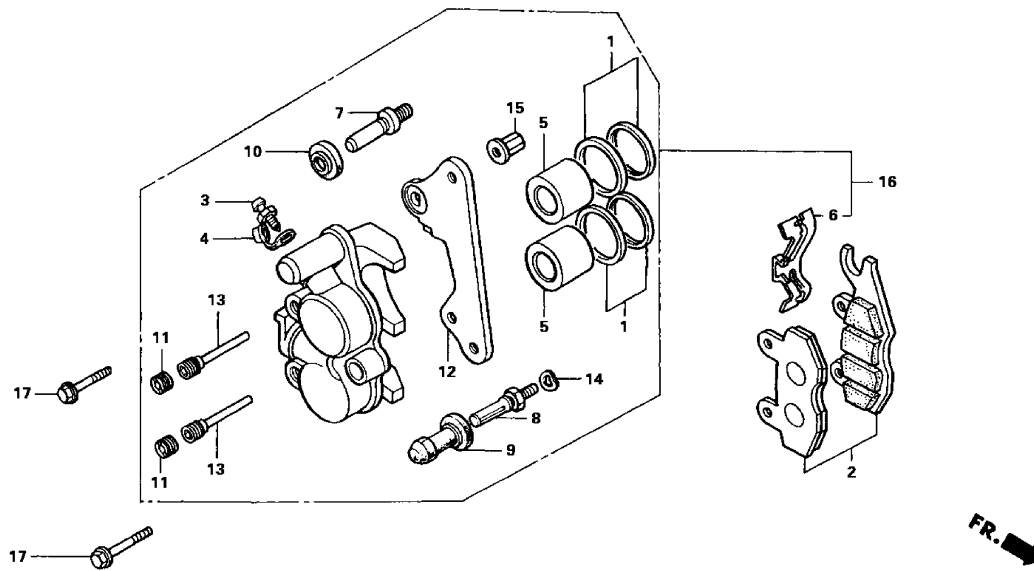
4 =NSR50R'04

F-7

Frame  
Serial Number

Ref	Description	From	To	AREA	QTY	Part Number	H/C
16	SLIDER, L. FR. FORK .....	-----	-----		1	51520-GT4-003ZB	7741382
17	BOLT, SOCKET (8MM) (SHOWA) .....	-----	-----		2	90116-383-721	0750919
18	WASHER, SPECIAL (8MM) .....	-----	-----		2	90544-283-000	0259457
19	RING, OIL SEAL STOPPER.....	-----	-----		2	90601-GF5-731	1662352
20	O-RING (23X2.8) .....	-----	-----		2	94608-50000	0255588

# FRONT BRAKE CALIPER



RS50F0800

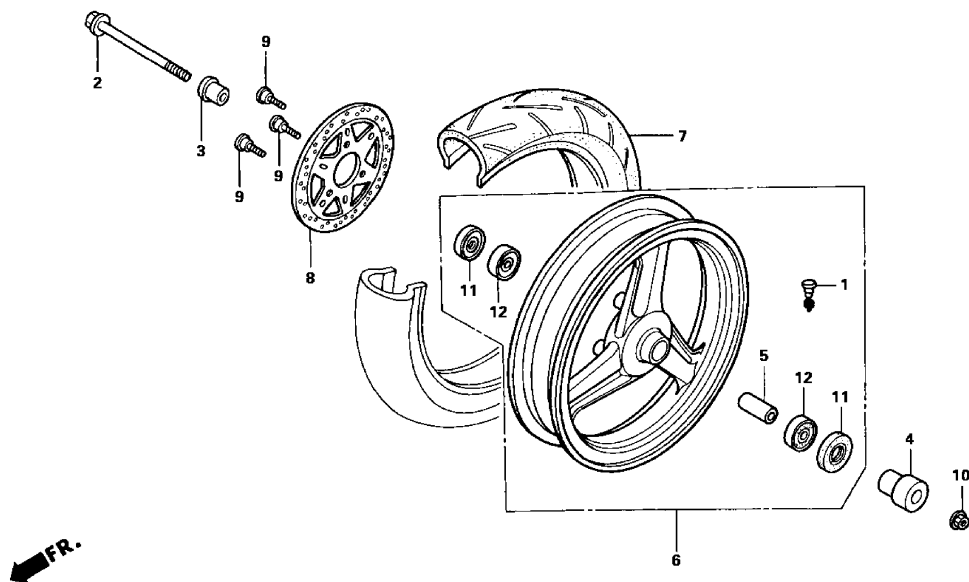
4 =NSR50R'04

F-8

Frame  
Serial Number

Ref	Description	From	To	AREA	QTY	Part Number	H/C
1	SEAL SET, PISTON .....	-----	-----		2	06445-KR3-415	7738891
2	PAD SET, FR.....	-----	-----		1	06455-KR3-405	6076756
3	SCREW, BLEEDER .....	-----	-----		1	43352-568-003	0505735
4	CAP, BLEEDER .....	-----	-----		1	43353-461-771	0954230
5	PISTON (NISSIN).....	-----	-----		2	45107-MN5-006	2807535
6	SPRING, PAD.....	-----	-----		1	45108-ML4-006	2406262
7	PIN A, BOLT .....	-----	-----		1	45131-GE2-006	2041713
8	BOLT, PIN .....	-----	-----		1	45131-GZ0-006	4843827
9	BUSH, PIN .....	-----	-----		1	45132-166-016	1046275
10	BOOT B .....	-----	-----		1	45133-MA3-006	1012012
11	PLUG, PIN .....	-----	-----		2	45203-MG3-016	3189743
12	BRACKET, FR.....	-----	-----		1	45210-GE2-016	7740947
13	PIN, HANGER .....	-----	-----		2	45215-KA3-732	3225786
14	WASHER, WAVE (NISSIN) .....	-----	-----		1	45216-166-006	1054873
15	NUT, TORQUE.....	-----	-----		1	45216-KW6-901	4843850
16	CALIPER SUB-ASSY., R. FR. ....	-----	-----		1	45250-GT4-305	7740962
17	BOLT, FLANGE (8X25) .....	-----	-----		2	90131-GAA-000	4046553

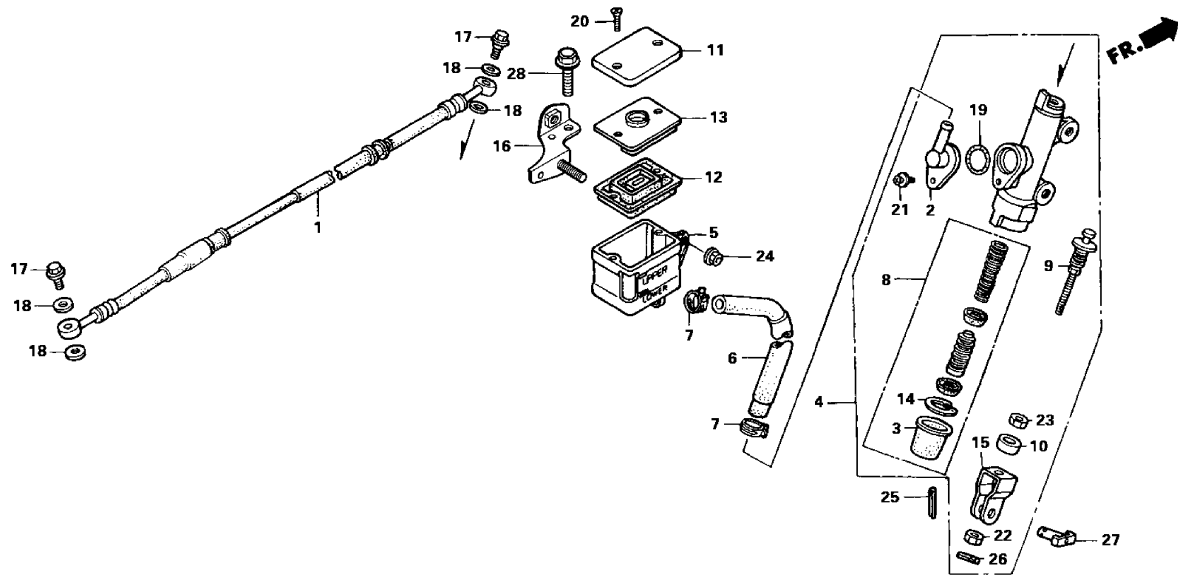
# FRONT WHEEL



RS50F0900

4 =NSR50R'04	F-9						
	Frame Serial Number						
Ref	Description	From	To	AREA	QTY	Part Number	H/C
1	VALVE, RIM (DUNLOP) .....	-----	-----		1	42753-ML7-004	2378453
2	AXLE, FR. WHEEL.....	-----	-----		1	44301-KR1-600	2758308
3	COLLAR, FR. WHEEL SIDE .....	-----	-----		1	44311-GS9-000	7740780
4	COLLAR, L. FR. WHEEL SIDE .....	-----	-----		1	44312-NLA-000	7740798
5	COLLAR, FR. AXLE DISTANCE .....	-----	-----		1	44620-GC8-000	1450436
6	WHEEL SUB-ASSY., FR.....	-----	-----		1	44650-NLA-000	7740822
7	TIRE ASSY., FR. ....	-----	-----		1	44710-NLA-000	7740848
8	DISK, FR. BRAKE .....	-----	-----		1	45121-GT4-710	7740863
9	BOLT, FR. DISK (8X24) .....	-----	-----		3	90105-KR3-000	2042943
10	NUT, FLANGE (12MM).....	-----	-----		1	90306-KF0-003	1421197
11	DUST SEAL (20X32X5) (ARAI) .....	-----	-----		2	90754-GC8-003	2150282
	DUST SEAL (20X32X5) (NOK) .....	-----	-----		2	90754-GC8-005	1671080
12	BEARING, RADIAL BALL (6201UU) .....	-----	-----		2	96150-62010-10	1325299

# RR BRAKE MASTER CYLINDER



RS50F1000

4 =NSR50R'04		F-10					
		Frame Serial Number					
Ref	Description	From	To	AREA	QTY	Part Number	H/C
1	HOSE COMP, RR. BRAKE .....	-----	-----		1	43310-NLA-700	7740723
2	CONNECTOR, MASTER CYLINDER .....	-----	-----		1	43503-MB2-006	1429448
3	BOOT .....	-----	-----		1	43504-MB2-006	1429455
4	MASTER CYLINDER SUB-ASSY., RR. BRAKE .....	-----	-----		1	43510-GT4-971	7740756
5	CUP, OIL .....	-----	-----		1	43511-KT8-006	2542819
6	HOSE, MASTER CYLINDER OIL.....	-----	-----		1	43512-KT8-006	2542827
7	CLAMP, MASTER CYLINDER OIL HOSE..	-----	-----		2	43514-445-771	0817593
8	PISTON SET, MASTER CYLINDER .....	-----	-----		1	43520-MJ6-305	1764778
9	PUSH ROD.....	-----	-----		1	43530-KBA-921	7740772
10	COLLAR, PUSH ROD .....	-----	-----		1	43532-GT4-000	3798279
11	CAP, MASTER CYLINDER .....	-----	-----		1	45513-HA2-006	1828243
12	DIAPHRAGM .....	-----	-----		1	45520-MG7-006	1828250
13	PLATE, DIAPHRAGM.....	-----	-----		1	45521-HA2-006	1828268
14	CIRCLIP, MASTER CYLINDER .....	-----	-----		1	46182-500-013	0506139
15	JOINT, BRAKE ROD .....	-----	-----		1	46504-MB2-006	1430149
16	BRACKET, MASTER CYLINDER.....	-----	-----		1	50350-GT4-000	7741077
17	BOLT, OIL (10X22).....	-----	-----		2	90145-MS9-612	5369418



# RR BRAKE MASTER CYLINDER

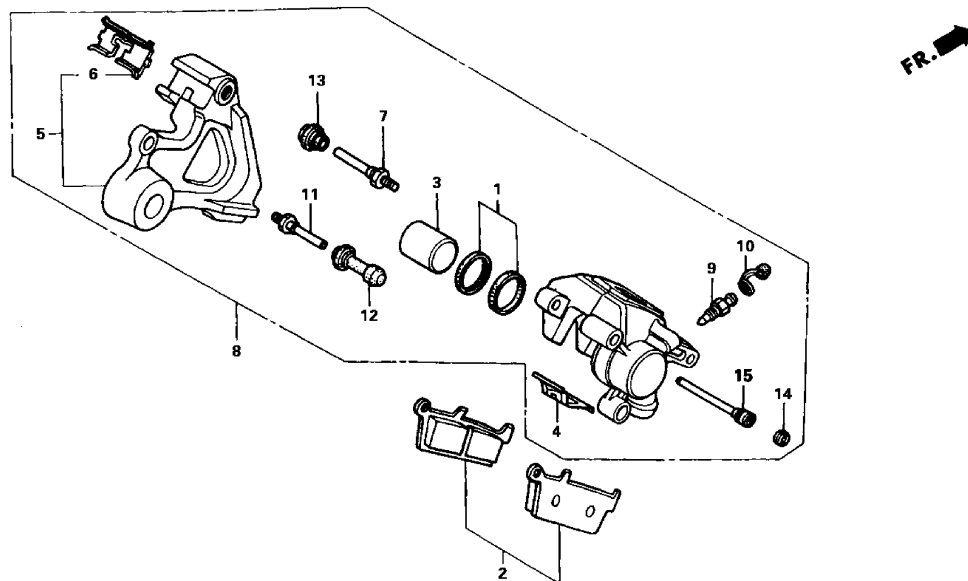
4 =NSR50R'04

F-10

Frame  
Serial Number

Ref	Description	From	To	AREA	QTY	Part Number	H/C
18	WASHER, OIL BOLT .....	-----	-----		4	90545-300-000	0189902
19	O-RING (14.8X2.4).....	-----	-----		1	91212-422-006	0693481
20	SCREW, FLAT (4X12) .....	-----	-----		2	93600-04012-0G	1218601
21	SCREW-WASHER (4X12) .....	-----	-----		1	93893-04012-07	1374008
22	NUT, HEX. (8MM).....	-----	-----		1	94001-08000-0S	0167338
23	NUT, HEX. (8MM).....	-----	-----		1	94002-08000-0S	0156075
24	NUT, FLANGE (6MM).....	-----	-----		1	94050-06000	0471623
25	PIN, COTTER (2.0X15) .....	-----	-----		1	94201-20150	0058347
26	PIN, SPRING .....	-----	-----		1	94305-20102	1692631
27	PIN D, JOINT .....	-----	-----		1	95015-54000	4459467
28	BOLT, FLANGE (6X10) .....	-----	-----		1	95701-06010-00	2410876

# RR BRAKE CALIPER



RS50F1100

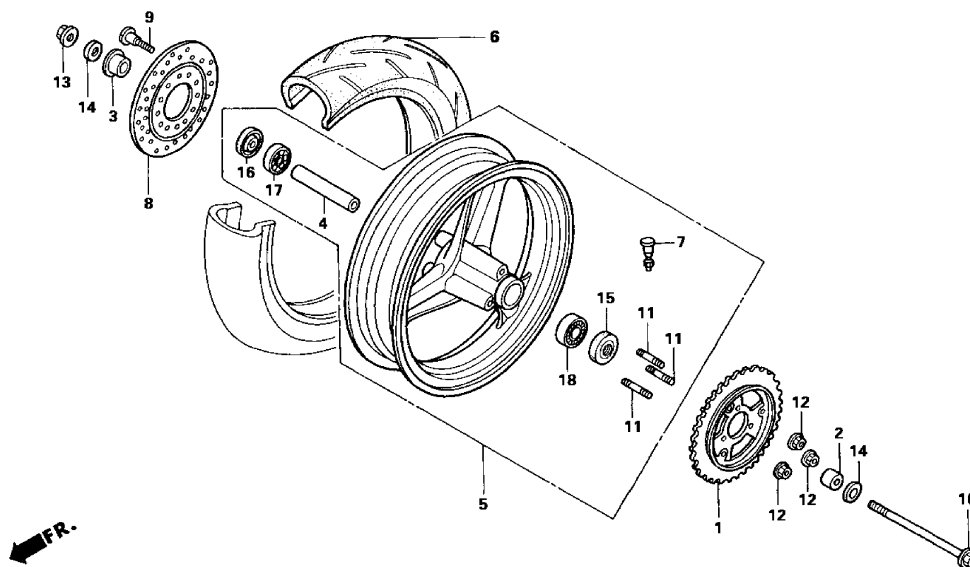
4 =NSR50R'04

F-11

Frame  
Serial Number

Ref	Description	From	To	AREA	QTY	Part Number	H/C
1	SEAL SET, PISTON .....	-----	-----		1	06431-MA3-405	4124277
2	PAD SET, BRAKE .....	-----	-----		1	06435-GT4-405	6185342
3	PISTON .....	-----	-----		1	43107-MA3-006	1020346
4	SPRING, PAD.....	-----	-----		1	43108-MY6-671	4073896
5	BRACKET, RR.....	-----	-----		1	43110-GT4-711	7740665
6	RETAINER .....	-----	-----		1	43112-GT4-006	3841665
7	BOLT, PIN .....	-----	-----		1	43131-KW3-006	3335676
8	CALIPER SUB-ASSY., RR. ....	-----	-----		1	43150-GT4-305	7740707
9	SCREW, BLEEDER .....	-----	-----		1	43352-568-003	0505735
10	CAP, BLEEDER .....	-----	-----		1	43353-461-771	0954230
11	PIN, BOLT .....	-----	-----		1	45131-166-016	1046267
12	BUSH, PIN .....	-----	-----		1	45132-166-016	1046275
13	BOOT B .....	-----	-----		1	45133-MA3-006	1012012
14	PLUG, PIN .....	-----	-----		1	45203-MG3-016	3189743
15	PIN, HANGER .....	-----	-----		1	45215-KA3-732	3225786

# REAR WHEEL



RS50F1200

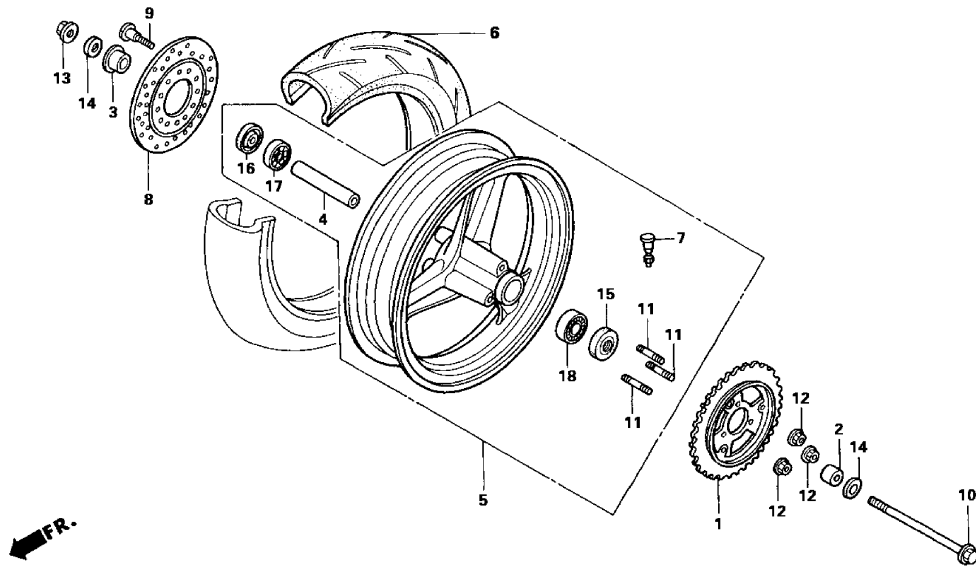
4 =NSR50R'04

F-12

Frame  
Serial Number

Ref	Description	From	To	AREA	QTY	Part Number	H/C
1	SPROCKET, FINAL DRIVEN (42T) .....	-----	-----		1	41200-GT4-690	7740475
2	COLLAR, RR. WHEEL SIDE .....	-----	-----		1	42311-GS9-000	2758191
3	COLLAR, RR. AXLE.....	-----	-----		1	42311-GT4-000	7740525
4	COLLAR, RR. WHEEL DISTANCE .....	-----	-----		1	42620-GS3-000	6978753
5	WHEEL SUB-ASSY., RR.....	-----	-----		1	42650-NLA-000	7740574
6	TIRE ASSY., RR. ....	-----	-----		1	42710-NLA-000	7740590
7	VALVE, RIM (DUNLOP) .....	-----	-----		1	42753-ML7-004	2378453
8	DISK, RR. BRAKE .....	-----	-----		1	43121-GT4-710	7740681
9	BOLT, FR. DISK (8X24) .....	-----	-----		3	90105-KR3-000	2042943
10	BOLT, RR. SWINGARM PIVOT .....	-----	-----		1	90121-KE2-980	3492576
11	BOLT, STUD (10X31).....	-----	-----		3	90125-GE2-740	3361912
12	NUT, U (10MM) .....	-----	-----		3	90304-GE8-003	1439249
13	NUT, FLANGE (12MM).....	-----	-----		1	90306-KF0-003	1421197
14	WASHER, PLAIN (12MM) .....	-----	-----		2	90440-GT4-970	6622021
15	OIL SEAL (26X37X6) .....	-----	-----		1	90753-051-003	0476283
	OIL SEAL (26X37X6) .....	-----	-----		1	90753-051-005	0822924
16	DUST SEAL (20X32X5) (ARAI) .....	-----	-----		1	90754-GC8-003	2150282
	DUST SEAL (20X32X5) (NOK) .....	-----	-----		1	90754-GC8-005	1671080

# REAR WHEEL



RS50F1200

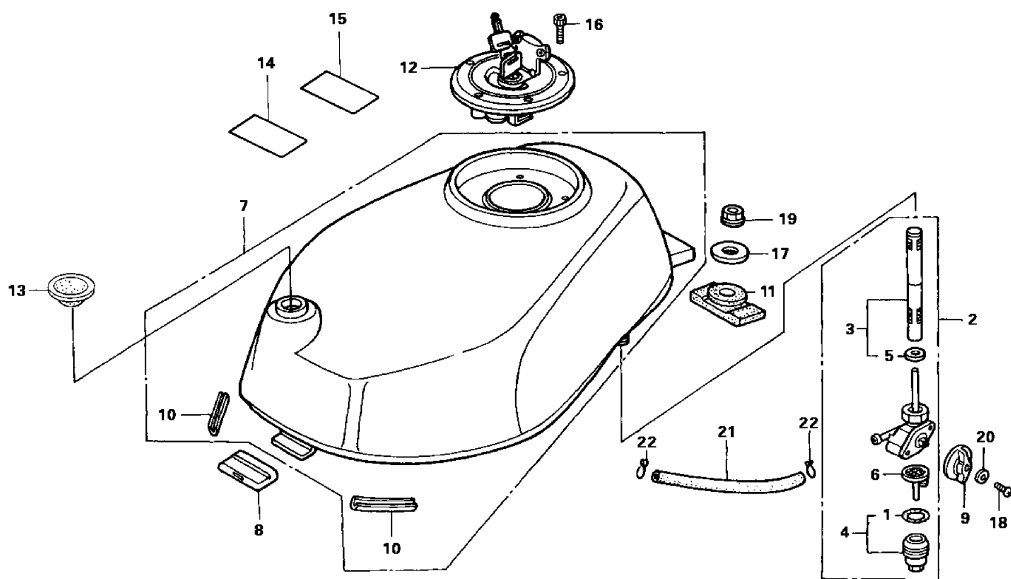
4 =NSR50R'04

F-12

Frame  
Serial Number

Ref	Description	From	To	AREA	QTY	Part Number	H/C
17	BEARING, RADIAL BALL (6201UU) .....	-----	-----		1	96150-62010-10	1325299
18	BEARING, RADIAL BALL (6301UU) .....	-----	-----		1	96150-63010-10	5965116

# FUEL TANK



RS50F1300

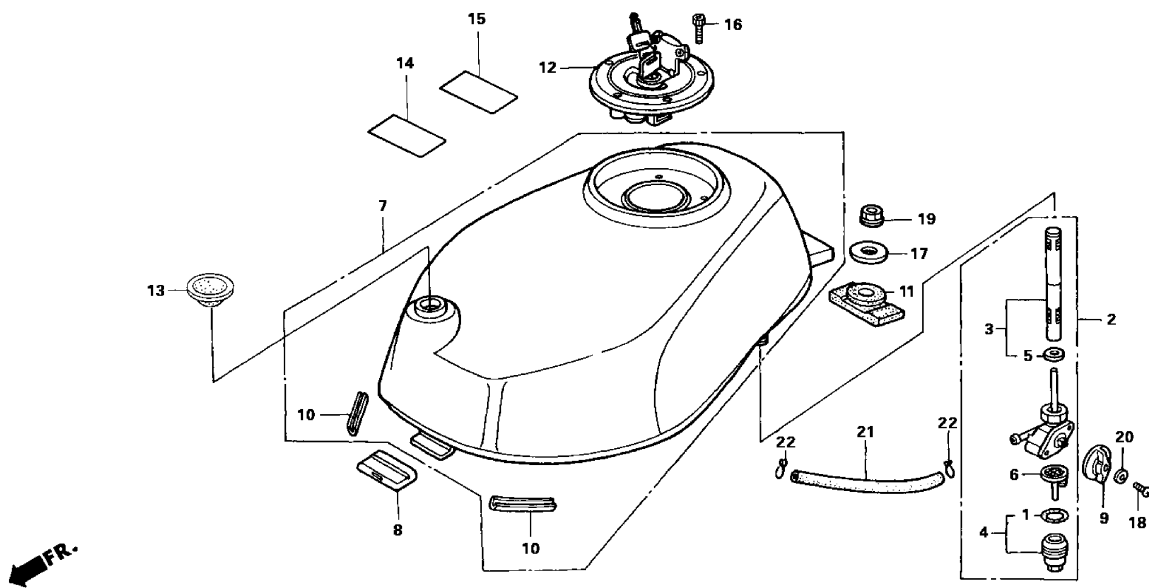
4 =NSR50R'04

F-13

Frame  
Serial Number

Ref	Description	From	To	AREA	QTY	Part Number	H/C
1	GASKET, FUEL STRAINER CUP .....	-----	-----		1	16173-001-004	0005652
2	PETCOCK ASSY.....	-----	-----		1	16950-GT4-710	7739493
3	SCREEN SET, FUEL STRAINER .....	-----	-----		1	16952-GT4-305	7739501
4	CUP SET, FUEL STRAINER .....	-----	-----		1	16953-GT4-305	4546214
5	O-RING (9X1.3) .....	-----	-----		1	16958-397-771	1198795
6	FILTER, CUP .....	-----	-----		1	16959-471-831	1073212
7	TANK, FUEL.....	-----	-----		1	17510-GT4-711	7739543
8	RUBBER, FR. TANK STAY .....	-----	-----		1	17512-GS9-000	2757334
9	LEVER, FUEL PETCOCK .....	-----	-----		1	17512-GT4-710	7739550
10	RUBBER, PROTECTOR .....	-----	-----		4	17521-HA7-670	2429611
11	CUSHION, RR. FUEL TANK .....	-----	-----		1	17613-168-000	7739592
12	CAP, FUEL FILLER .....	-----	-----		1	17620-GT4-691	5342936
13	GROMMET, SIDE COVER (A).....	-----	-----		1	19902-865-780	1081439
14	MARK, CAUTION .....	-----	-----		1	87208-NC2-000	5921812
15	LABEL, CAUTION .....	-----	-----		1	87560-357-671	0417444
16	BOLT, SOCKET (4X23) .....	-----	-----		3	90074-ML7-920	7741952
17	WASHER (8MM).....	-----	-----		1	90501-819-000	0293910
18	SCREW, PAN (4X8) .....	-----	-----		1	93500-04008-0G	0373308

# FUEL TANK



RS50F1300

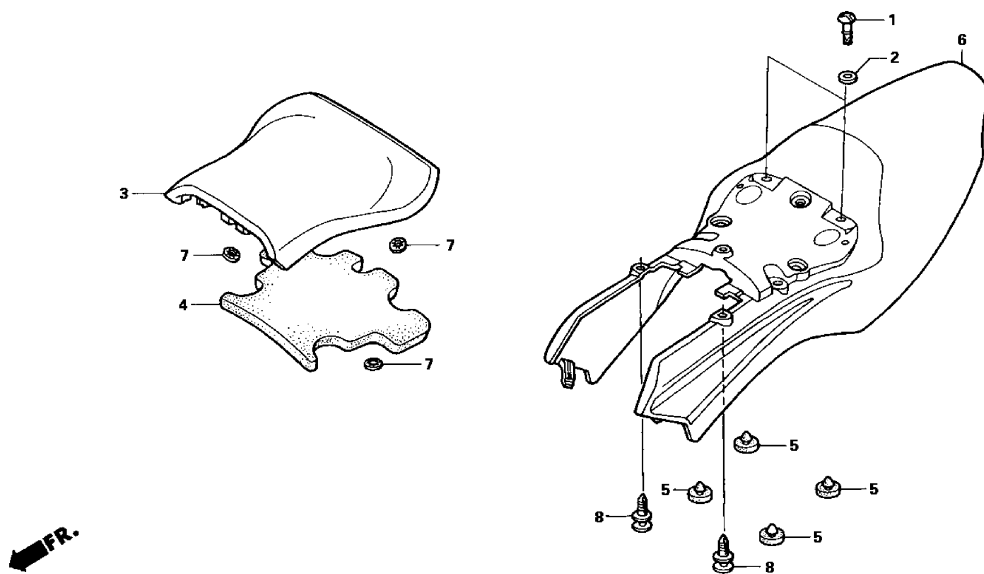
4 =NSR50R'04

F-13

Frame  
Serial Number

Ref	Description	From	To	AREA	QTY	Part Number	H/C
19	NUT, FLANGE (8MM).....	-----	-----		1	94050-08000	0481143
20	WASHER, SPRING (4MM).....	-----	-----		1	94111-04700	0583278
21	BULK HOSE, FUEL (4.5X3000) (4.5X1000)	-----	-----		1	95001-45003-60M	5137104
22	CLIP, TUBE (B8) .....	-----	-----		2	95002-02080	0250647

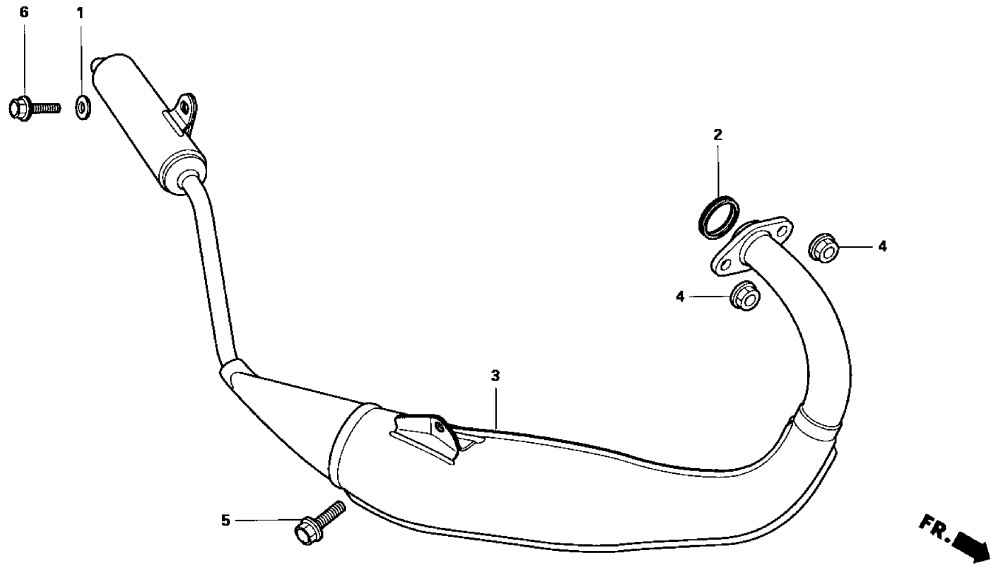
# RR COWL • SEAT



RS50F1400

4 =NSR50R'04		F-14					
		Frame Serial Number					
Ref	Description	From	To	AREA	QTY	Part Number	H/C
1	STUD (6X14) .....	-----	-----		2	64507-MN4-000	2568509
2	RETAINER (6MM) .....	-----	-----		2	64509-KE8-700	2072072
3	SEAT, SINGLE .....	-----	-----		1	77100-GT4-970	7741804
4	CUSHION, SEAT .....	-----	-----		1	77101-GT4-970	7741812
5	RUBBER B, SEAT STOPPER .....	-----	-----		4	77215-GC2-000	1451285
6	COWL, RR.....	-----	-----		1	83800-NLA-000	7741879
7	NUT, SPEED .....	-----	-----		3	90314-SL0-000	3556412
8	CLIP, COVER.....	-----	-----		4	90683-GT4-971	7742034

# MUFFLER



RS50F1500

4 =NSR50R'04

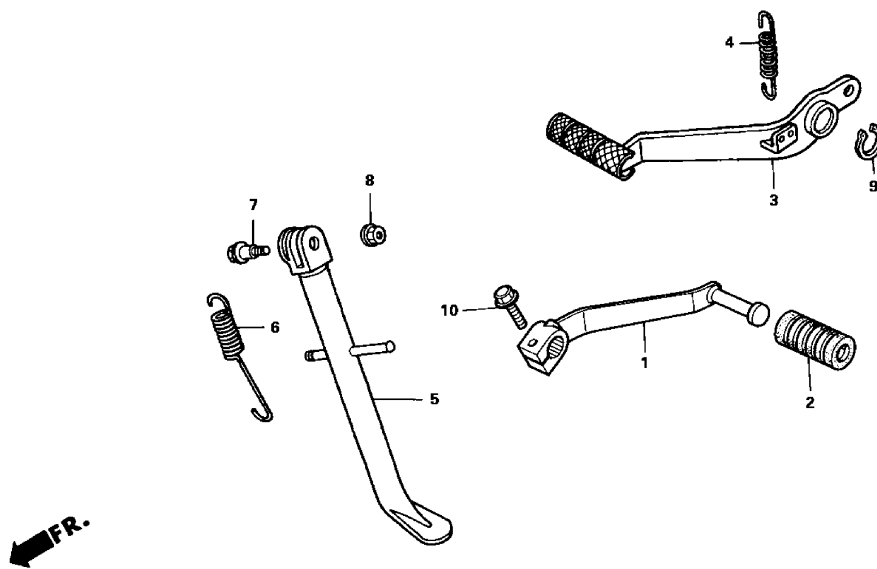
F-15

Frame  
Serial Number

Ref	Description	From	To	AREA	QTY	Part Number	H/C
1	WASHER, MUFFLER.....	-----	-----		1	18011-KV3-680	7739626
2	GASKET, EX. PIPE .....	-----	-----		1	18292-KR1-680	4224853
3	MUFFLER, EX.....	-----	-----		1	18300-NLA-670	7739634
4	NUT, FLANGE (8MM).....	-----	-----		2	94050-08000	0481143
5	BOLT, FLANGE (8X16) .....	-----	-----		1	95701-08016-07	2724003
6	BOLT, FLANGE (8X16) .....	-----	-----		1	96300-08016-00	1829951



# SIDE STAND • PEDAL



RS50F1600

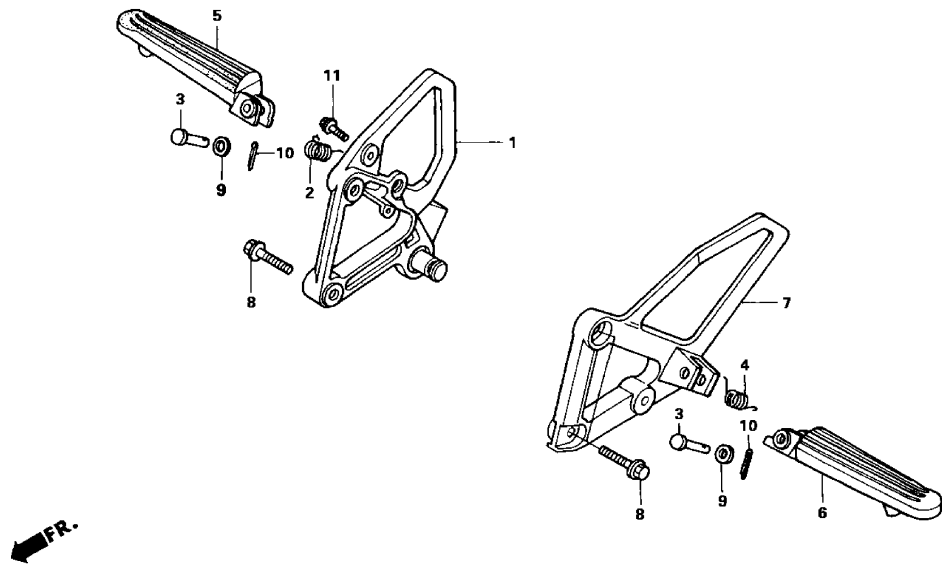
4 =NSR50R'04

F-16

Frame  
Serial Number

Ref	Description	From	To	AREA	QTY	Part Number	H/C
1	PEDAL, GEARSHIFT .....	-----	-----		1	24701-GT4-000	7740236
2	RUBBER, GEARSHIFT PEDAL .....	-----	-----		1	24705-KN8-000	4224473
3	PEDAL, RR. BRAKE.....	-----	-----		1	46500-GT4-000	7741010
4	SPRING ASSY., BRAKE PEDAL .....	-----	-----		1	46514-KT8-000	7741028
5	BAR, SIDE STAND.....	-----	-----		1	50530-GT4-970	7741093
6	SPRING, SIDE STAND .....	-----	-----		1	50541-MV4-000	7741119
7	BOLT, SIDE STAND PIVOT .....	-----	-----		1	90108-MK6-670	3106895
8	NUT, SIDE STAND.....	-----	-----		1	90203-MF9-710	2544781
9	CIRCLIP (OUTER) (15MM) .....	-----	-----		1	94511-15000	0469932
10	BOLT, FLANGE (6X20) .....	-----	-----		1	96300-06020-00	1829894

# STEP



RS50F1700

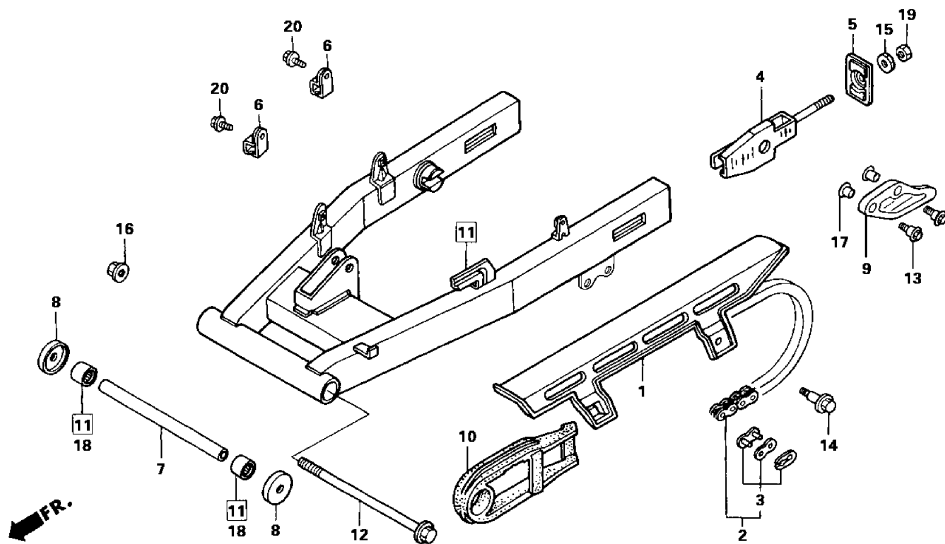
4 =NSR50R'04

F-17

Frame  
Serial Number

Ref	Description	From	To	AREA	QTY	Part Number	H/C
1	HOLDER, R. STEP .....	-----	-----		1	50600-GT4-010	7741127
2	SPRING, R. STEP RETURN .....	-----	-----		1	50617-445-840	1221878
3	PIN, STEP BAR .....	-----	-----		2	50639-ML0-010	3375532
4	SPRING, L. STEP RETURN.....	-----	-----		1	50644-445-840	1217330
5	ARM, R. STEP .....	-----	-----		1	50660-KV3-700	4484226
6	ARM, L. STEP .....	-----	-----		1	50670-KV3-700	4484234
7	HOLDER, L. STEP .....	-----	-----		1	50700-GT4-010	7741143
8	BOLT, FLANGE (8X25) .....	-----	-----		4	90124-KK4-000	1892090
9	WASHER, PLAIN (8MM) .....	-----	-----		2	94102-08000	0199596
10	PIN, COTTER (2.0X15) .....	-----	-----		2	94201-20150	0058347
11	BOLT, FLANGE (6X20) .....	-----	-----		2	96001-06020-00	2529154

# SWINGARM • CHAIN CASE



RS50F1800

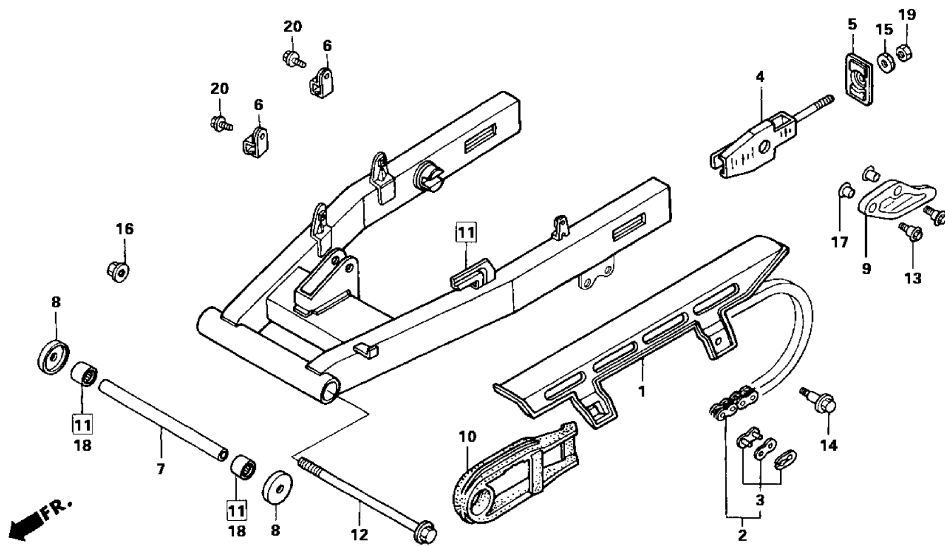
4 =NSR50R'04

F-18

Frame  
Serial Number

Ref	Description	From	To	AREA	QTY	Part Number	H/C
1	CASE, DRIVE CHAIN.....	-----	-----		1	40510-GT4-010	7740418
2	CHAIN, DRIVE (RK420MZ-108RJ) .....	-----	-----		1	40530-GT4-972	7740426
	CHAIN, DRIVE (420M-108) (DAIDO).....	-----	-----		1	40530-166-611	0914580
3	MASTER LINK (DAIDO).....	-----	-----		1	40531-098-003	0247882
	MASTER LINK (TAKASAGO).....	-----	-----		1	40531-150-005	0722322
4	ADJUSTER, CHAIN .....	-----	-----		2	40543-GS3-000	7740442
5	CAP, SWINGARM END .....	-----	-----		2	40546-GS3-000	7740459
6	CLAMP, BRAKE HOSE .....	-----	-----		2	52115-GT4-970	7741416
7	COLLAR, SWINGARM PIVOT .....	-----	-----		1	52141-GT4-970	7741424
8	DUST SEAL (31X41) .....	-----	-----		2	52144-GT4-971	7741432
9	GUARD, CHAIN .....	-----	-----		1	52156-GAN-670	3680675
10	SLIDER, CHAIN .....	-----	-----		1	52171-GS9-000	2758696
11	SWINGARM SET .....	-----	-----		1	52200-NLA-700	7741457
12	BOLT, FLANGE (12X252) .....	-----	-----		1	90103-GT4-000	7741978
13	BOLT, FLANGE (6MM).....	-----	-----		2	90110-GE0-710	1914837
14	BOLT, FLANGE (6MM).....	-----	-----		1	90111-187-000	1032069
15	NUT, SPECIAL (6MM) .....	-----	-----		2	90302-KBP-900	4646857
16	NUT, FLANGE (12MM).....	-----	-----		1	90306-KF0-003	1421197

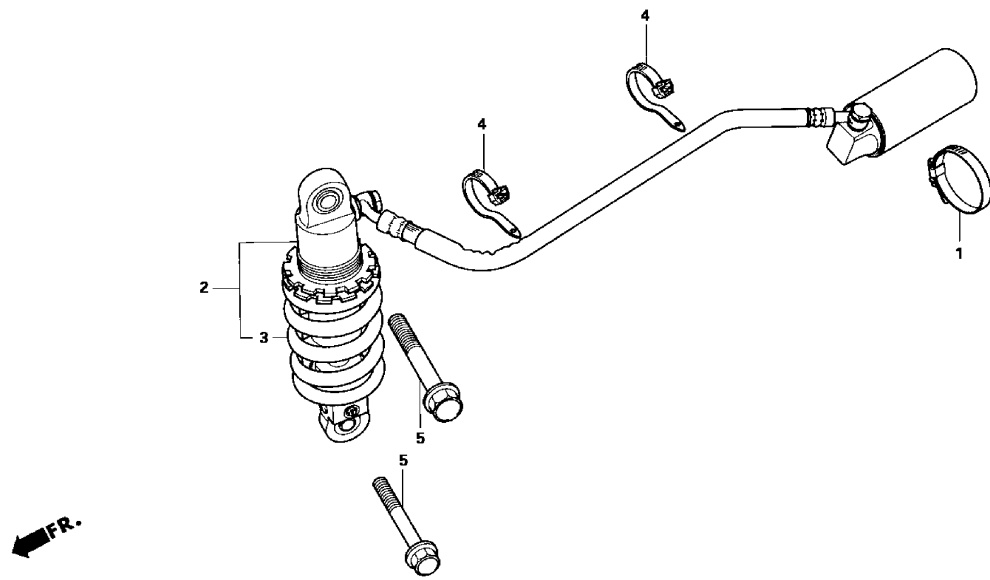
# SWINGARM • CHAIN CASE



RS50F1800

4 =NSR50R'04	F-18						
	Frame Serial Number						
Ref	Description	From	To	AREA	QTY	Part Number	H/C
17	WASHER, CHAIN CASE SETTING .....	-----	-----		2	90522-028-000	0243345
18	BEARING, NEEDLE (20X26X20) (TOYO) ..	-----	-----		2	91070-GC4-601	2206506
19	NUT, HEX. (6MM).....	-----	-----		2	94001-06200-0S	2043255
20	BOLT, FLANGE (6X12) .....	-----	-----		2	96001-06012-07	2105948

# REAR SHOCK ABSORBER



RS50F1900

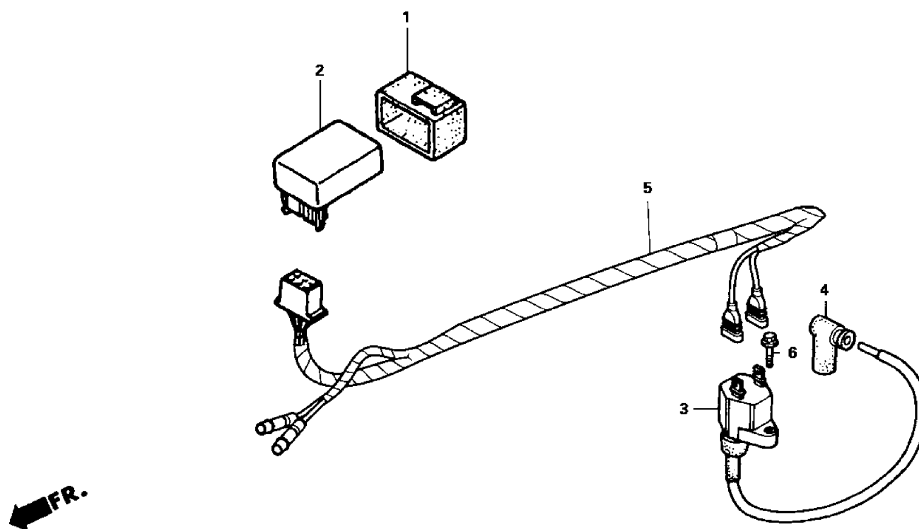
4 =NSR50R'04

F-19

Frame  
Serial Number

Ref	Description	From	To	AREA	QTY	Part Number	H/C
1	BAND, SUB-TANK .....	-----	-----		1	50252-MW0-000	4044434
2	CUSHION ASSY., RR. ....	-----	-----		1	52400-NLA-701	7741473
3	SPRING, RR. SHOCK ABSORBER (K=18.5KGF) .....	-----	-----		1	52401-NLA-003	7741499
	SPRING, RR. SHOCK ABSORBER MM (K=18.0KGF) .....	-----	-----		(1)	52402-NLA-003	7741515
	SPRING, RR. SHOCK ABSORBER MM (K=19.0KGF) .....	-----	-----		(1)	52403-NLA-003	7741531
4	BAND, WIRE HARNESS .....	-----	-----		2	90651-MA6-720	1741131
5	BOLT, FLANGE (10X35) .....	-----	-----		2	96400-10035-00	2209807

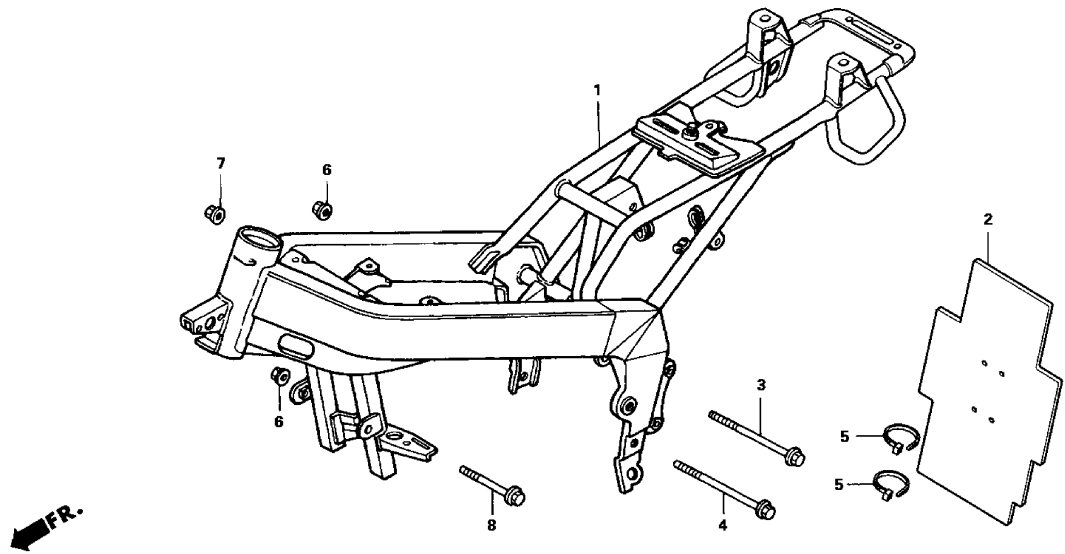
# WIRE HARNESS



RS50F2000

4 =NSR50R'04	F-20						
	Frame Serial Number						
Ref	Description	From	To	AREA	QTY	Part Number	H/C
1	RUBBER, IGNITION CONTROL MODULE	-----	-----		1	30401-GE8-000	1487115
2	UNIT, CDI .....	-----	-----		1	30410-GT5-710	7740285
3	COIL, IGNITION .....	-----	-----		1	30510-GW8-671	2945954
4	CAP ASSY., NOISE SUPPRESSOR .....	-----	-----		1	30700-KE1-153	3356482
5	WIRE HARNESS .....	-----	-----		1	32100-NLA-700	7743404
6	BOLT, FLANGE (5X22) .....	-----	-----		1	90112-GK8-010	4034492

# FRAME



RS50F2100

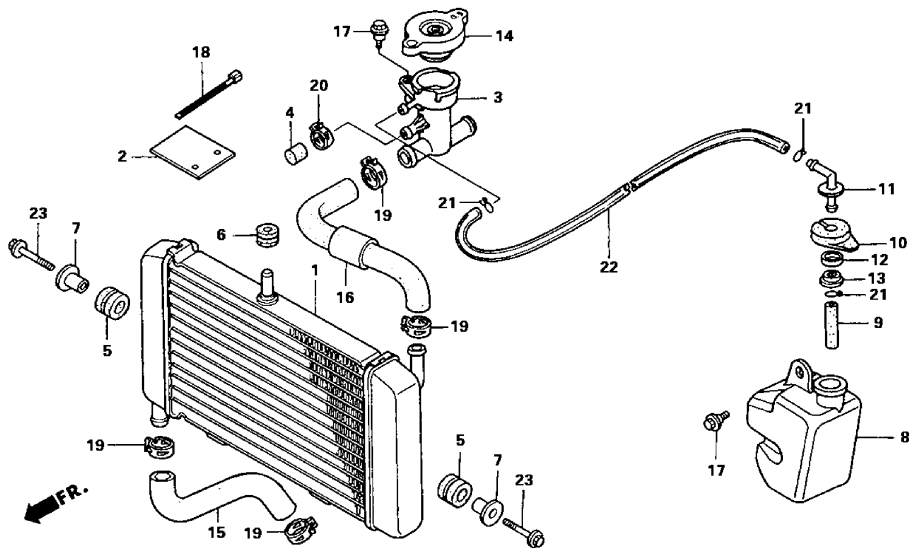
4 =NSR50R'04

F-21

Frame  
Serial Number

Ref	Description	From	To	AREA	QTY	Part Number	H/C
1	FRAME .....	-----	-----		1	50100-NLA-000	7741036
2	PLATE, RR. ....	-----	-----		1	80105-NLA-000	7741853
3	BOLT, FLANGE (8X135) .....	-----	-----		1	90110-GT4-000	7741986
4	BOLT, FLANGE X (10) (236.5).....	-----	-----		1	90111-GT4-000	7112956
5	TY-LAP (2.4X92) .....	-----	-----		2	90652-ND5-000	5923115
6	NUT, FLANGE (8MM).....	-----	-----		2	94050-08000	0481143
7	NUT, FLANGE (10MM).....	-----	-----		1	94050-10000	0483867
8	BOLT, FLANGE (8X75) .....	-----	-----		1	95801-08075-00	7742166

# RADIATOR



RS50F2200

4 =NSR50R'04

F-22

Frame  
Serial Number

Ref	Description	From	To	AREA	QTY	Part Number	H/C
1	RADIATOR ASSY. ....	-----	-----		1	19010-NLA-003	7739667
2	PLATE, RADIATOR ....	-----	-----		1	19015-NLA-000	7739675
3	NECK, FILLER (TOYO) ....	-----	-----		1	19039-KV7-671	2496107
4	CAP, FILLER NECK.....	-----	-----		1	19042-GT4-000	7739683
5	RUBBER, RADIATOR SETTING .....	-----	-----		2	19051-KA3-710	1320720
6	RUBBER, RADIATOR SETTING .....	-----	-----		1	19051-MN0-000	2525194
7	COLLAR, RADIATOR SETTING .....	-----	-----		2	19052-KA3-710	1320738
8	TANK, RESERVE.....	-----	-----		1	19101-GJ1-000	7739691
9	HOSE, RESERVE TANK .....	-----	-----		1	19103-680-000	1719376
10	CAP, RESERVE TANK.....	-----	-----		1	19104-GT4-000	7296858
11	ADAPTER, RESERVE CAP.....	-----	-----		1	19106-GE2-000	1719392
12	STOPPER, RADIATOR FLUID.....	-----	-----		1	19107-GE2-000	1719400
13	STOPPER A, RADIATOR FLUID .....	-----	-----		1	19108-GJ1-000	7739709
14	CAP, RADIATOR FILLER (TOYO).....	-----	-----		1	19111-KE1-003	1805498
15	HOSE C, WATER.....	-----	-----		1	19503-NLA-000	7739741
16	HOSE D, WATER.....	-----	-----		1	19504-NLA-000	7739758
17	BOLT, FLANGE (6MM).....	-----	-----		2	90111-162-000	0811141
18	TY-LAP (2.4X92) .....	-----	-----		1	90652-ND5-000	5923115



# RADIATOR

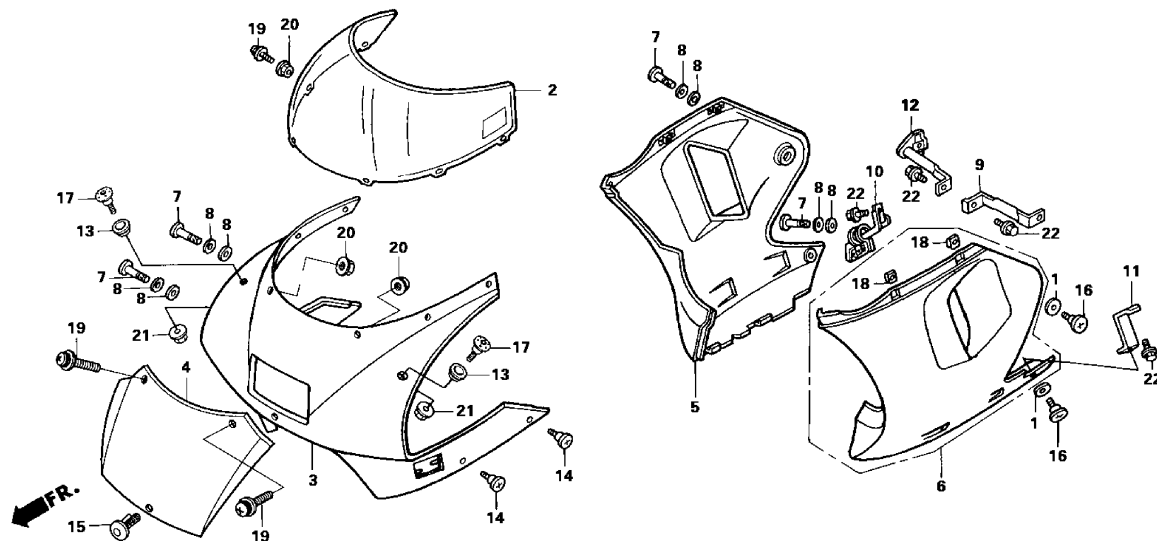
4 =NSR50R'04

F-22

Frame  
Serial Number

Ref	Description	From	To	AREA	QTY	Part Number	H/C
19	CLAMP, CANISTER HOSE .....	-----	-----		4	90682-SB0-671	1485101
20	CLIP, TUBE (D12) .....	-----	-----		1	95002-41200-04	1478221
21	CLIP, TUBE (C11) .....	-----	-----		3	95002-70000	0053595
22	TUBE, VINYL (7X11X340) .....	-----	-----		1	95003-19340-20	7742133
23	BOLT, FLANGE (6X25) .....	-----	-----		2	95701-06025-07	2449122

# COWL



RS50F2300

4 =NSR50R'04	F-23	
	Frame Serial Number	

Ref	Description	From	To	AREA	QTY	Part Number	H/C
1	RUBBER, FR. FUEL TANK .....	-----	-----		2	17627-467-000	0825240
2	WINDSCREEN ASSY. ....	-----	-----		1	64100-GT4-710	7741671
3	COWL (UPPER) .....	-----	-----		1	64200-NLA-000	7741697
4	PLATE, FR. NUMBER .....	-----	-----		1	64210-NLA-000	7741705
5	COWL, R. (LOWER).....	-----	-----		1	64250-NLA-000	7741721
6	COWL, L. (LOWER) .....	-----	-----		1	64260-NLA-000	7741739
7	STUD (6X14) .....	-----	-----		4	64507-MN4-000	2568509
8	RETAINER (6MM) .....	-----	-----		8	64509-KE8-700	2072072
9	STAY L, FR. COWL .....	-----	-----		1	64532-GT4-000	7741754
10	STAY R, RR. COWL.....	-----	-----		1	64533-GT4-000	7741762
11	STAY L, RR. COWL .....	-----	-----		1	64534-GT4-000	7741770
12	STAY R, FR. COWL.....	-----	-----		1	64535-GT4-000	7741788
13	COLLAR, REARVIEW MIRROR.....	-----	-----		2	88112-GAA-750	7741887
14	SCREW, SPECIAL (5MM) .....	-----	-----		2	90102-GT4-000	3838182
15	CLIP, BUMPER SETTING .....	-----	-----		1	90108-SW3-003	4551685
16	SCREW, FAIRING SETTING .....	-----	-----		2	90112-GT4-000	5186184
17	SCREW, PAN (6X14) .....	-----	-----		2	90113-MAT-000	5216122
18	NUT, SPRING (5MM) .....	-----	-----		2	90320-GC3-000	1937788

# COWL

4 =NSR50R'04

F-23

Frame  
Serial Number

Ref	Description	From	To	AREA	QTY	Part Number	H/C
19	SCREW-WASHER (4X14) .....	-----	-----		6	93891-04014-07	1716125
20	NUT, FLANGE (4MM).....	-----	-----		6	94050-04000	0711549
21	NUT, FLANGE (6MM).....	-----	-----		2	94050-06000	0471623
22	BOLT, FLANGE (6X12) .....	-----	-----		4	95701-06012-07	2387108



# **Part Number Index**

# PART NUMBER INDEX

Part Number	Grid	Page	Part Number	Grid	Page	Part Number	Grid	Page
(0)			16173-001-004 .....	1-D9	2-19	22121-GT5-000 .....	1-C3	1-7
06431-MA3-405 .....	1-D8	2-16	16201-NLA-003 .....	1-C7	1-15	22201-MR8-000 .....	1-C3	1-7
06435-GT4-405 .....	1-D8	2-16	16202-NLA-003 .....	1-C7	1-15	22311-107-000 .....	1-C3	1-7
06445-KR3-415 .....	1-D6	2-12	16203-NLA-003 .....	1-C7	1-15	22311-KN4-680 .....	1-C3	1-7
06455-KR3-405 .....	1-D6	2-12	16236-168-000 .....	1-C4	1-9	22350-115-020 .....	1-C3	1-7
(1)			16950-GT4-710 .....	1-D9	2-19	22361-GT4-970 .....	1-C3	1-7
11100-GE4-050 .....	1-C4	1-9	16952-GT4-305 .....	1-D9	2-19	22365-GT4-970 .....	1-C3	1-7
11191-GAA-000 .....	1-C4	1-9	16953-GT4-305 .....	1-D9	2-19	22401-166-000 .....	1-C3	1-7
11200-GW6-721 .....	1-C4	1-9	16958-397-771 .....	1-D9	2-19	22810-166-000 .....	1-C2	1-4
11209-NH3-760 .....	1-C4	1-9	16959-471-831 .....	1-D9	2-19	22815-GT5-000 .....	1-C2	1-4
11331-GT4-970 .....	1-C2	1-4	17101-NLA-700 .....	1-C1	1-2	22821-GT4-970 .....	1-C2	1-4
11340-GT4-970 .....	1-C4	1-8	17504-147-010 .....	1-C8	1-16	22870-GT4-690 .....	1-D1	2-3
11345-GT5-000 .....	1-C4	1-8	17510-GT4-711 .....	1-D9	2-19	23121-GE2-000 .....	1-C3	1-7
11393-GAA-000 .....	1-C2	1-4	17512-GS9-000 .....	1-D9	2-19	23211-GT4-970 .....	1-C6	1-12
12110-GT4-970 .....	1-C1	1-2	17512-GT4-710 .....	1-D9	2-19	23221-166-601 .....	1-C6	1-12
12120-GT4-970 .....	1-C1	1-2	17519-NKL-000 .....	1-C8	1-16	23420-166-600 .....	1-C6	1-12
12130-GT4-970 .....	1-C1	1-2	17521-HA7-670 .....	1-D9	2-19	23431-166-600 .....	1-C6	1-12
12191-NLA-700 .....	1-C1	1-2	17613-168-000 .....	1-D9	2-19	23441-166-600 .....	1-C6	1-12
12200-GT4-970 .....	1-C1	1-2	17620-GT4-691 .....	1-D9	2-19	23451-166-600 .....	1-C6	1-12
12251-GAA-003 .....	1-C1	1-2	17627-467-000 .....	1-D16	2-32	23461-166-600 .....	1-C6	1-12
12431-166-000 .....	1-C2	1-4	17910-NLA-000 .....	1-D1	2-3	23471-166-600 .....	1-C6	1-12
13000-GT4-690 .....	1-C5	1-11	18011-KV3-680 .....	1-D11	2-22	23482-166-600 .....	1-C6	1-12
13011-GE2-305 .....	1-C5	1-11	18292-KR1-680 .....	1-D11	2-22	23491-166-600 .....	1-C6	1-12
13110-GE2-890 .....	1-C5	1-11	18300-NLA-670 .....	1-D11	2-22	23501-166-600 .....	1-C6	1-12
13111-GZ0-000 .....	1-C5	1-11	19010-NLA-003 .....	1-D15	2-30	23511-166-600 .....	1-C6	1-12
13115-156-000 .....	1-C5	1-11	19015-NLA-000 .....	1-D15	2-30	23515-166-600 .....	1-C6	1-12
13120-GE2-890 .....	1-C5	1-11	19039-KV7-671 .....	1-D15	2-30	23800-040-010 .....	1-C6	1-12
13130-GE2-890 .....	1-C5	1-11	19042-GT4-000 .....	1-D15	2-30	23802-040-000 .....	1-C6	1-12
13420-GE2-000 .....	1-C5	1-11	19051-KA3-710 .....	1-D15	2-30	24210-GT5-000 .....	1-C7	1-14
13430-NLA-700 .....	1-C5	1-11	19051-MN0-000 .....	1-D15	2-30	24221-GT5-000 .....	1-C7	1-14
13617-GE3-610 .....	1-C5	1-11	19052-KA3-710 .....	1-D15	2-30	24230-GT5-000 .....	1-C7	1-14
14100-GT4-003 .....	1-C1	1-2	19101-GJ1-000 .....	1-D15	2-30	24241-GT4-970 .....	1-C7	1-14
14111-GT4-003 .....	1-C1	1-2	19103-680-000 .....	1-D15	2-30	24301-GE2-740 .....	1-C7	1-14
14121-GE2-004 .....	1-C1	1-2	19104-GT4-000 .....	1-D15	2-30	24303-GE2-000 .....	1-C7	1-14
14132-GAA-000 .....	1-C1	1-2	19106-GE2-000 .....	1-D15	2-30	24430-166-000 .....	1-C7	1-14
14133-GAA-000 .....	1-C1	1-2	19107-GE2-000 .....	1-D15	2-30	24436-GT4-000 .....	1-C7	1-14
15611-NF4-900 .....	1-C2	1-4	19108-GJ1-000 .....	1-D15	2-30	24610-168-000 .....	1-C7	1-14
16010-166-004 .....	1-C7	1-15	19111-KE1-003 .....	1-D15	2-30	24641-166-000 .....	1-C7	1-14
16012-NLA-003 .....	1-C7	1-15	19125-GE2-000 .....	1-C3	1-6	24651-GT4-000 .....	1-C7	1-14
16013-166-014 .....	1-C7	1-15	19217-657-023 .....	1-C3	1-6	24652-035-000 .....	1-C7	1-14
16014-GC5-611 .....	1-C7	1-15	19221-GT4-970 .....	1-C3	1-6	24701-GT4-000 .....	1-D11	2-23
16015-166-014 .....	1-C7	1-15	19225-GE2-000 .....	1-C3	1-6	24705-KN8-000 .....	1-D11	2-23
16016-GB4-003 .....	1-C7	1-15	19230-GE2-020 .....	1-C3	1-6	28242-GT4-000 .....	1-C3	1-7
16022-NLA-003 .....	1-C7	1-15	19310-GE2-000 .....	1-C1	1-2	(3)		
16028-166-004 .....	1-C7	1-15	19315-GT4-000 .....	1-C1	1-2	30401-GE8-000 .....	1-D14	2-28
16046-GM2-014 .....	1-C7	1-15	19501-GT4-000 .....	1-C1	1-2	30410-GT5-710 .....	1-D14	2-28
16100-NLA-003 .....	1-C7	1-15	19502-GT4-000 .....	1-C1	1-2	30510-GW8-671 .....	1-D14	2-28
16115-GHB-610 .....	1-C7	1-15	19503-NLA-000 .....	1-D15	2-30	30700-KE1-153 .....	1-D14	2-28
16144-MA1-671 .....	1-C7	1-15	19504-NLA-000 .....	1-D15	2-30	31110-GJ1-008 .....	1-C4	1-8
16148-KB1-921 .....	1-C7	1-15	19601-NF4-750 .....	1-C8	1-16	31120-GE2-771 .....	1-C4	1-8
16155-NLA-003 .....	1-C7	1-15	19902-865-780 .....	1-D3	2-7	32100-NLA-700 .....	1-D14	2-28
16165-GT4-003 .....	1-C7	1-15	(2)			35130-KR8-000 .....	1-D1	2-3
			22100-GT4-000 .....	1-C3	1-7	35132-KR5-013 .....	1-D1	2-3
						35133-KJ2-003 .....	1-D1	2-3

# PART NUMBER INDEX

Part Number	Grid	Page	Part Number	Grid	Page	Part Number	Grid	Page
37101-GT5-000	1-D1	2-2	45131-GE2-006	1-D6	2-12	51432-GF5-731	1-D5	2-10
37250-NLA-003	1-D1	2-2	45131-GZ0-006	1-D6	2-12	51437-GS3-003	1-D5	2-10
37260-GT4-000	1-D1	2-2	45132-166-016	1-D6	2-12	51450-NLA-003	1-D5	2-10
37261-GT4-000	1-D1	2-2		1-D8	2-16	51470-NLA-003	1-D5	2-10
37750-PC1-004	1-C1	1-2	45133-MA3-006	1-D6	2-12	51490-GS9-305	1-D5	2-10
				1-D8	2-16	51500-NLA-003	1-D5	2-10
(4)			45156-GAA-010	1-D4	2-9	51520-GT4-003ZB	1-D5	2-11
40510-GT4-010	1-D12	2-25	45203-MG3-016	1-D6	2-12	52115-GT4-970	1-D12	2-25
40530-166-611	1-D12	2-25		1-D8	2-16	52141-GT4-970	1-D12	2-25
40530-GT4-972	1-D12	2-25	45210-GE2-016	1-D6	2-12	52144-GT4-971	1-D12	2-25
40531-098-003	1-D12	2-25	45215-KA3-732	1-D6	2-12	52156-GAN-670	1-D12	2-25
40531-150-005	1-D12	2-25		1-D8	2-16	52171-GS9-000	1-D12	2-25
40543-GS3-000	1-D12	2-25	45216-166-006	1-D6	2-12	52200-NLA-700	1-D12	2-25
40546-GS3-000	1-D12	2-25	45216-KW6-901	1-D6	2-12	52400-NLA-701	1-D13	2-27
41200-GT4-690	1-D8	2-17	45250-GT4-305	1-D6	2-12	52401-NLA-003	1-D13	2-27
42311-GS9-000	1-D8	2-17	45504-410-003	1-D2	2-5	52402-NLA-003	1-D13	2-27
42311-GT4-000	1-D8	2-17	45510-NLA-710	1-D2	2-5	52403-NLA-003	1-D13	2-27
42620-GS3-000	1-D8	2-17	45512-MA6-006	1-D2	2-5	53100-GT4-970ZA	1-D3	2-7
42650-NLA-000	1-D8	2-17	45513-HA2-006	1-D2	2-5	53105-GR1-710	1-D3	2-7
42710-NLA-000	1-D8	2-17		1-D7	2-14	53140-GE2-761	1-D1	2-3
42753-ML7-004	1-D6	2-13	45517-166-006	1-D2	2-5	53150-GT4-970ZA	1-D3	2-7
	1-D8	2-17	45520-MG7-006	1-D2	2-5	53165-GM9-741	1-D1	2-3
43107-MA3-006	1-D8	2-16		1-D7	2-14	53166-GM9-740	1-D1	2-3
43108-MY6-671	1-D8	2-16	45521-HA2-006	1-D2	2-5	53167-GE4-000	1-D1	2-3
43110-GT4-711	1-D8	2-16		1-D7	2-14	53168-166-000	1-D1	2-3
43112-GT4-006	1-D8	2-16	45530-471-831	1-D2	2-5	53172-GC4-000	1-D1	2-3
43121-GT4-710	1-D8	2-17	46182-500-013	1-D7	2-14	53174-116-670	1-D2	2-5
43131-KW3-006	1-D8	2-16	46500-GT4-000	1-D11	2-23	53175-GW2-013	1-D2	2-5
43150-GT4-305	1-D8	2-16	46504-MB2-006	1-D7	2-14	53178-KZ4-A10	1-D1	2-3
43310-NLA-700	1-D7	2-14	46514-KT8-000	1-D11	2-23	53192-268-000	1-D1	2-3
43352-568-003	1-D6	2-12				53210-GS9-003	1-D4	2-8
	1-D8	2-16	(5)			53211-028-010	1-D4	2-8
43353-461-771	1-D6	2-12	50100-NLA-000	1-D14	2-29	53212-030-010	1-D4	2-8
	1-D8	2-16	50252-MW0-000	1-D13	2-27	53214-001-010	1-D4	2-8
43503-MB2-006	1-D7	2-14	50301-041-010	1-D4	2-8	53215-001-000	1-D4	2-8
43504-MB2-006	1-D7	2-14	50350-GT4-000	1-D7	2-14	53219-GT4-J00	1-D4	2-8
43510-GT4-971	1-D7	2-14	50530-GT4-970	1-D11	2-23	53220-074-000	1-D4	2-8
43511-KT8-006	1-D7	2-14	50541-MV4-000	1-D11	2-23	53230-NLA-000	1-D3	2-7
43512-KT8-006	1-D7	2-14	50600-GT4-010	1-D12	2-24			
43514-445-771	1-D7	2-14	50617-445-840	1-D12	2-24	(6)		
43520-MJ6-305	1-D7	2-14	50639-ML0-010	1-D12	2-24	61100-NLA-000	1-D4	2-9
43530-KBA-921	1-D7	2-14	50644-445-840	1-D12	2-24	64100-GT4-710	1-D16	2-32
43532-GT4-000	1-D7	2-14	50660-KV3-700	1-D12	2-24	64200-NLA-000	1-D16	2-32
44301-KR1-600	1-D6	2-13	50670-KV3-700	1-D12	2-24	64210-NLA-000	1-D16	2-32
44311-GS9-000	1-D6	2-13	50700-GT4-010	1-D12	2-24	64250-NLA-000	1-D16	2-32
44312-NLA-000	1-D6	2-13	51400-NLA-003	1-D5	2-10	64260-NLA-000	1-D16	2-32
44620-GC8-000	1-D6	2-13	51401-NLA-003	1-D5	2-10	64501-GT4-690ZA	1-D1	2-2
44650-NLA-000	1-D6	2-13	51402-GT4-971	1-D5	2-10	64507-MN4-000	1-D10	2-21
44710-NLA-000	1-D6	2-13	51402-NLA-003	1-D5	2-10		1-D16	2-32
45107-MN5-006	1-D6	2-12	51403-KW6-961	1-D5	2-10	64509-KE8-700	1-D10	2-21
45108-ML4-006	1-D6	2-12	51410-GT4-971	1-D5	2-10		1-D16	2-32
45121-GT4-710	1-D6	2-13	51412-GC4-003	1-D5	2-10	64532-GT4-000	1-D16	2-32
45126-NLA-003	1-D2	2-5	51412-NLA-003	1-D5	2-10	64533-GT4-000	1-D16	2-32
45127-GAA-010	1-D4	2-8	51420-GT4-003ZB	1-D5	2-10	64534-GT4-000	1-D16	2-32
45131-166-016	1-D8	2-16	51425-961-013	1-D5	2-10	64535-GT4-000	1-D16	2-32

# PART NUMBER INDEX

Part Number	Grid	Page	Part Number	Grid	Page	Part Number	Grid	Page
(7)			90304-GE8-003 .....	1-D8	2-17	91004-GT4-711 .....	1-C5	1-11
77100-GT4-970 .....	1-D10	2-21	90306-KF0-003 .....	1-D6	2-13	91007-KE1-003 .....	1-C3	1-7
77101-GT4-970 .....	1-D10	2-21		1-D8	2-17	91021-148-004 .....	1-C4	1-9
77215-GC2-000 .....	1-D10	2-21		1-D12	2-25	91070-GC4-601 .....	1-D13	2-26
			90314-SL0-000 .....	1-D10	2-21	91102-GC8-004 .....	1-C5	1-11
			90320-GC3-000 .....	1-D16	2-32	91106-383-003 .....	1-C4	1-9
(8)			90321-MA6-750 .....	1-D1	2-3	91201-035-013 .....	1-C3	1-6
80105-NLA-000 .....	1-D14	2-29	90401-GC4-730 .....	1-C3	1-7	91201-035-015 .....	1-C3	1-6
83119-GT4-000 .....	1-D1	2-2	90407-259-000 .....	1-C4	1-9	91201-324-023 .....	1-C2	1-4
83800-NLA-000 .....	1-D10	2-21	90425-300-000 .....	1-C4	1-9	91201-415-013 .....	1-C6	1-13
87208-NC2-000 .....	1-D9	2-19	90428-958-000 .....	1-C3	1-7	91205-166-004 .....	1-C4	1-9
87560-357-671 .....	1-D9	2-19	90436-GE2-000 .....	1-C3	1-6	91206-GE3-611 .....	1-C5	1-11
88112-GAA-750 .....	1-D16	2-32	90440-166-000 .....	1-C3	1-7	91209-612-003 .....	1-C4	1-9
89216-KM9-000 .....	1-C1	1-3	90440-GT4-970 .....	1-D8	2-17	91212-422-006 .....	1-D7	2-15
			90441-166-000 .....	1-C4	1-8	91302-GE0-000 .....	1-C2	1-4
			90443-035-000 .....	1-C3	1-6	91303-719-000 .....	1-C2	1-4
(9)			90444-611-920 .....	1-C2	1-4	91303-800-000 .....	1-C2	1-4
90023-041-010 .....	1-C7	1-14	90446-357-000 .....	1-C6	1-12	91308-PH9-000 .....	1-C2	1-4
90030-KL8-740 .....	1-C3	1-7	90452-166-600 .....	1-C6	1-12	91354-GAS-901 .....	1-C5	1-11
90031-GE2-000 .....	1-C4	1-9	90452-437-000 .....	1-C6	1-13	91405-671-000 .....	1-D1	2-2
90032-399-000 .....	1-C1	1-3	90454-KA4-000 .....	1-C3	1-6	92900-08022-1B .....	1-C1	1-3
90074-ML7-920 .....	1-D9	2-19	90458-324-010 .....	1-C2	1-4	93500-03006-0H .....	1-C1	1-3
90081-NX4-700 .....	1-C4	1-9	90461-115-000 .....	1-C6	1-13	93500-04008-0G .....	1-D9	2-19
90084-041-000 .....	1-C6	1-12	90461-357-000 .....	1-C2	1-4	93500-05020-0G .....	1-D1	2-3
90101-GT4-970 .....	1-D3	2-7		1-C3	1-6	93500-05022-0G .....	1-D1	2-3
90102-GT4-000 .....	1-D16	2-32	90463-166-000 .....	1-C6	1-13	93600-04012-0G .....	1-D2	2-5
90103-GT4-000 .....	1-D12	2-25	90464-166-000 .....	1-C6	1-13		1-D7	2-15
90105-KR3-000 .....	1-D6	2-13	90465-166-600 .....	1-C6	1-13	93600-04012-1G .....	1-D2	2-5
	1-D8	2-17	90466-166-600 .....	1-C6	1-13	93891-04014-07 .....	1-D16	2-33
90108-MK6-670 .....	1-D11	2-23	90501-819-000 .....	1-D9	2-19	93892-04016-08 .....	1-C8	1-16
90108-SW3-003 .....	1-D16	2-32	90503-051-870 .....	1-D3	2-7	93893-04012-07 .....	1-D7	2-15
90110-GE0-710 .....	1-D12	2-25	90522-028-000 .....	1-D13	2-26	94001-05070-0S .....	1-D2	2-4
90110-GT4-000 .....	1-D14	2-29	90544-283-000 .....	1-D5	2-11	94001-06200-0S .....	1-C1	1-3
90111-162-000 .....	1-D15	2-30	90545-300-000 .....	1-D2	2-5		1-D2	2-4
90111-187-000 .....	1-D12	2-25		1-D7	2-15		1-D13	2-26
90111-GJ5-000 .....	1-D4	2-9	90601-001-000 .....	1-C6	1-13	94001-08000-0S .....	1-D7	2-15
90111-GT4-000 .....	1-D14	2-29	90601-GF5-731 .....	1-D5	2-11	94001-12200-0S .....	1-C4	1-8
90112-GK8-010 .....	1-D14	2-28	90602-166-010 .....	1-C6	1-13	94002-08000-0S .....	1-D7	2-15
90112-GT4-000 .....	1-D16	2-32	90651-MA5-671 .....	1-D2	2-5	94050-04000 .....	1-D16	2-33
90113-MAT-000 .....	1-D16	2-32	90651-MA6-720 .....	1-D13	2-27	94050-06000 .....	1-D1	2-2
90114-166-006 .....	1-D2	2-5	90651-NC8-000 .....	1-C8	1-16		1-D2	2-5
90114-428-870 .....	1-D1	2-3	90652-KT1-771 .....	1-D1	2-3		1-D7	2-15
90116-383-721 .....	1-D5	2-11	90652-ND5-000 .....	1-D14	2-29		1-D16	2-33
90121-KE2-980 .....	1-D8	2-17		1-D15	2-30	94050-08000 .....	1-C1	1-3
90124-KK4-000 .....	1-D12	2-24	90682-SB0-671 .....	1-C1	1-3		1-D10	2-20
90125-GE2-740 .....	1-D8	2-17		1-D15	2-31		1-D11	2-22
90131-GAA-000 .....	1-D6	2-12	90683-GT4-971 .....	1-D10	2-21		1-D14	2-29
90134-NX5-000 .....	1-C2	1-4	90753-051-003 .....	1-D8	2-17	94050-10000 .....	1-D14	2-29
90145-MS9-612 .....	1-D2	2-5	90753-051-005 .....	1-D8	2-17	94050-12000 .....	1-C3	1-7
	1-D7	2-14	90754-GC8-003 .....	1-D6	2-13	94102-08000 .....	1-D12	2-24
90201-415-000 .....	1-C3	1-6		1-D8	2-17	94111-03000 .....	1-C1	1-3
90203-MF9-710 .....	1-D11	2-23	90754-GC8-005 .....	1-D6	2-13	94111-04700 .....	1-D10	2-20
90231-KBA-930 .....	1-C3	1-7		1-D8	2-17	94201-20150 .....	1-D7	2-15
90302-KBP-900 .....	1-D12	2-25	90851-735-802 .....	1-C4	1-9		1-D12	2-24
90304-159-000 .....	1-D3	2-7	90871-733-003 .....	1-C2	1-4	94301-08140 .....	1-C2	1-4
			91004-GE3-000 .....	1-C5	1-11		1-C3	1-6



# PART NUMBER INDEX

Part Number	Grid	Page	Part Number	Grid	Page	Part Number	Grid	Page
94301-08200 .....	1-C4	1-9	98079-59847 .....	1-C1	1-3			
94305-20102 .....	1-D7	2-15	98079-59847-01 .....	1-C1	1-3			
94401-25140 .....	1-C5	1-11	99101-166-1020 .....	1-C8	1-16			
94511-15000 .....	1-D11	2-23	99101-166-1050 .....	1-C8	1-16			
94608-50000 .....	1-D5	2-11	99101-166-1100 .....	1-C8	1-16			
95001-45003-60M .....	1-D10	2-20	99101-166-1150 .....	1-C8	1-16			
95002-02080 .....	1-D10	2-20	99101-166-1180 .....	1-C8	1-16			
95002-02089 .....	1-C8	1-16	99101-166-1200 .....	1-C8	1-16			
95002-40800-08 .....	1-C8	1-16	99103-168-0420 .....	1-C8	1-16			
95002-41200-04 .....	1-D15	2-31	99110-GHB-1000 .....	1-C8	1-16			
95002-70000 .....	1-D15	2-31	99110-GHB-1080 .....	1-C8	1-16			
95003-19340-20 .....	1-D15	2-31	99110-GHB-1120 .....	1-C8	1-16			
95015-54000 .....	1-D7	2-15						
95701-06010-00 .....	1-C3	1-6						
	1-D7	2-15						
95701-06012-07 .....	1-D4	2-8						
	1-D16	2-33						
95701-06016-08 .....	1-C7	1-14						
95701-06025-07 .....	1-D15	2-31						
95701-06055-00 .....	1-C4	1-8						
95701-08016-07 .....	1-D11	2-22						
95801-06030-00 .....	1-D1	2-2						
95801-08075-00 .....	1-D14	2-29						
96001-06012-00 .....	1-C4	1-9						
96001-06012-07 .....	1-D13	2-26						
96001-06014-00 .....	1-C4	1-9						
96001-06020-00 .....	1-C1	1-3						
	1-D12	2-24						
96001-06022-07 .....	1-D3	2-6						
96001-06028-00 .....	1-C2	1-5						
96001-06035-00 .....	1-C2	1-5						
	1-C4	1-8						
	1-C4	1-9						
96001-06040-00 .....	1-C5	1-10						
96001-06050-00 .....	1-C5	1-10						
96001-06055-00 .....	1-C5	1-10						
96001-06060-00 .....	1-C3	1-6						
	1-C5	1-10						
96001-06065-00 .....	1-C5	1-10						
96001-06070-00 .....	1-C3	1-6						
96001-06110-00 .....	1-C5	1-10						
96100-60010-00 .....	1-C3	1-6						
96100-62010-00 .....	1-C5	1-11						
96100-63030-00 .....	1-C6	1-13						
96120-63030-00 .....	1-C6	1-13						
96140-60010-00 .....	1-C6	1-13						
96150-62010-10 .....	1-D6	2-13						
	1-D9	2-18						
96150-63010-10 .....	1-D9	2-18						
96220-40158 .....	1-C7	1-14						
96300-06020-00 .....	1-D11	2-23						
96300-08016-00 .....	1-D11	2-22						
96300-08032-07 .....	1-D4	2-8						
96400-10035-00 .....	1-D13	2-27						
96700-08025-07 .....	1-D3	2-7						
98079-59816 .....	1-C1	1-3						



# **Description**

# **Index**

# DESCRIPTION INDEX

Description	Grid	Page	Ref	Description	Grid	Page	Ref
<b>(A)</b>				BOLT, FLANGE (6X20)	1-D11	2-23	10
					1-D12	2-24	11
ADAPTER, RESERVE CAP	1-D15	2-30	11	BOLT, FLANGE (6X22)	1-D3	2-6	18
ADJUSTER, CHAIN	1-D12	2-25	4	BOLT, FLANGE (6X25)	1-D15	2-31	23
ARM, L. STEP	1-D12	2-24	6	BOLT, FLANGE (6X28)	1-C2	1-5	17
ARM, R. STEP	1-D12	2-24	5	BOLT, FLANGE (6X30)	1-D1	2-2	9
AXLE, FR. WHEEL	1-D6	2-13	2	BOLT, FLANGE (6X35)	1-C2	1-5	18
					1-C4	1-8	8
					1-C4	1-9	18
<b>(B)</b>				BOLT, FLANGE (6X40)	1-C5	1-10	19
BALL ASSY., STEERING STEEL	1-D4	2-8	3	BOLT, FLANGE (6X50)	1-C5	1-10	20
BAND, SUB-TANK	1-D13	2-27	1	BOLT, FLANGE (6X55)	1-C4	1-8	7
BAND, WIRE	1-D1	2-3	16		1-C5	1-10	21
BAND, WIRE HARNESS	1-D13	2-27	4	BOLT, FLANGE (6X60)	1-C3	1-6	14
BAR, SIDE STAND	1-D11	2-23	5		1-C5	1-10	22
BEARING, CONNECTING ROD SMALL END (TOMUSON)	1-C5	1-11	11	BOLT, FLANGE (6X65)	1-C5	1-10	23
BEARING, NEEDLE (1010) (TOYO)	1-C4	1-9	11	BOLT, FLANGE (6X70)	1-C3	1-6	15
BEARING, NEEDLE (15MM)	1-C4	1-9	12	BOLT, FLANGE (8X135)	1-D14	2-29	3
BEARING, NEEDLE (20X26X20) (TOYO)	1-D13	2-26	18	BOLT, FLANGE (8X16)	1-D11	2-22	5
BEARING, RADIAL BALL (6001)	1-C3	1-6	16		1-D11	2-22	6
	1-C6	1-13	30	BOLT, FLANGE (8X25)	1-D6	2-12	17
BEARING, RADIAL BALL (6201)	1-C5	1-11	15		1-D12	2-24	8
BEARING, RADIAL BALL (6201UU)	1-D6	2-13	12	BOLT, FLANGE (8X32)	1-D4	2-8	11
	1-D9	2-18	17	BOLT, FLANGE (8X75)	1-D14	2-29	8
BEARING, RADIAL BALL (6205)	1-C5	1-11	9	BOLT, FLANGE X (10) (236.5)	1-D14	2-29	4
	1-C5	1-11	10	BOLT, FORK	1-D5	2-10	12
BEARING, RADIAL BALL (6301UU)	1-D9	2-18	18	BOLT, FR. DISK (8X24)	1-D6	2-13	9
BEARING, RADIAL BALL (6303)	1-C6	1-13	28		1-D8	2-17	9
	1-C6	1-13	29	BOLT, GEARSHIFT DRUM STOPPER ARM PIVOT	1-C7	1-14	13
BEARING, RADIAL BALL (6903)	1-C3	1-7	17	BOLT, HANDLE LEVER PIVOT	1-D1	2-3	14
BOLT 2, STUD (8X22)	1-C1	1-3	18	BOLT, HANDLEBAR PIVOT	1-D2	2-5	12
BOLT, CABLE ADJUSTING	1-D1	2-3	13	BOLT, HEX. (6X25)	1-C3	1-7	11
BOLT, CYLINDER STUD	1-C4	1-9	6	BOLT, OIL (10X22)	1-D2	2-5	13
BOLT, DRAIN (12MM)	1-C4	1-9	7		1-D7	2-14	17
BOLT, DRAIN (6X10)	1-C2	1-4	8	BOLT, PIN	1-D6	2-12	8
BOLT, DRIVE SPROCKET FIXING	1-C6	1-12	16		1-D8	2-16	7
BOLT, FLANGE (10X35)	1-D13	2-27	5	BOLT, RR. SWINGARM PIVOT	1-D8	2-17	10
BOLT, FLANGE (12X252)	1-D12	2-25	12	BOLT, SIDE STAND PIVOT	1-D11	2-23	7
BOLT, FLANGE (5X22)	1-D14	2-28	6	BOLT, SOCKET (4X23)	1-D9	2-19	16
BOLT, FLANGE (6MM)	1-D4	2-9	3	BOLT, SOCKET (8MM) (SHOWA)	1-D5	2-11	17
	1-D12	2-25	13	BOLT, SOCKET (8X25)	1-D3	2-7	6
BOLT, FLANGE (6X10)	1-C3	1-6	13		1-D3	2-7	9
	1-D7	2-15	28	BOLT, STUD (10X31)	1-D8	2-17	11
BOLT, FLANGE (6X110)	1-C5	1-10	24	BOLT, STUD (6X25)	1-C1	1-3	19
BOLT, FLANGE (6X12)	1-C4	1-9	16	BOOT	1-D2	2-5	2
	1-D4	2-8	10		1-D7	2-14	3
	1-D13	2-26	20	BOOT B	1-D6	2-12	10
	1-D16	2-33	22		1-D8	2-16	13
BOLT, FLANGE (6X14)	1-C4	1-9	17	BRACKET, FR.	1-D6	2-12	12
BOLT, FLANGE (6X16)	1-C7	1-14	14	BRACKET, L. HANDLE LEVER	1-D1	2-3	11
BOLT, FLANGE (6X20)	1-C1	1-3	24	BRACKET, MASTER CYLINDER	1-D7	2-14	16
				BRACKET, RR.	1-D8	2-16	5
				BRIDGE, FORK TOP	1-D3	2-7	5
				BULK HOSE, FUEL (4.5X3000) (4.5X1000)	1-D10	2-20	21
				BUSH (17MM)	1-C6	1-12	4
				BUSH (7MM)	1-C3	1-6	7

# DESCRIPTION INDEX

Description	Grid	Page	Ref	Description	Grid	Page	Ref
BUSH, PIN	1-D6	2-12	9	COLLAR, DRIVE GEAR	1-C5	1-11	8
	1-D8	2-16	12	COLLAR, FR. AXLE DISTANCE	1-D6	2-13	5
<b>(C)</b>				COLLAR, FR. WHEEL SIDE	1-D6	2-13	3
CABLE ASSY., TACHOMETER	1-D1	2-2	3	COLLAR, L. FR. WHEEL SIDE	1-D6	2-13	4
CABLE, CLUTCH	1-D1	2-3	2	COLLAR, METER	1-D1	2-2	6
CABLE (INNER)	1-D1	2-2	4	COLLAR, PUSH ROD	1-D7	2-14	10
CABLE, THROTTLE	1-D1	2-3	1	COLLAR, RADIATOR SETTING	1-D15	2-30	7
CALIPER SUB-ASSY., R. FR.	1-D6	2-12	16	COLLAR, REARVIEW MIRROR	1-D16	2-32	13
CALIPER SUB-ASSY., RR.	1-D8	2-16	8	COLLAR, RR. AXLE	1-D8	2-17	3
CAP ASSY., NOISE SUPPRESSOR	1-D14	2-28	4	COLLAR, RR. WHEEL DISTANCE	1-D8	2-17	4
CAP, BLEEDER	1-D6	2-12	4	COLLAR, RR. WHEEL SIDE	1-D8	2-17	2
	1-D8	2-16	10	COLLAR, SPRING	1-D5	2-10	3
CAP, CABLE SEALING	1-C7	1-15	12	COLLAR, SWINGARM PIVOT	1-D12	2-25	7
CAP, CARBURETOR	1-C8	1-16	18	CONNECTOR, MASTER CYLINDER	1-D7	2-14	2
CAP, FILLER NECK	1-D15	2-30	4	COUNTERSHAFT, TRANSMISSION	1-C6	1-12	2
CAP, FUEL FILLER	1-D9	2-19	12	COVER, L. CRANKCASE	1-C4	1-8	1
CAP, MASTER CYLINDER	1-D2	2-5	5	COVER, R. CRANKCASE	1-C2	1-4	1
	1-D7	2-14	11	COVER, THERMOSTAT	1-C1	1-2	12
CAP, OIL FILLER	1-C2	1-4	4	COVER, WATER PUMP	1-C3	1-6	3
CAP, RADIATOR FILLER (TOYO)	1-D15	2-30	14	COWL, L. (LOWER)	1-D16	2-32	6
CAP, RESERVE TANK	1-D15	2-30	10	COWL, R. (LOWER)	1-D16	2-32	5
CAP, SWINGARM END	1-D12	2-25	5	COWL, RR.	1-D10	2-21	6
CARBURETOR ASSY. (PF70M)	1-C7	1-15	10	COWL (UPPER)	1-D16	2-32	3
CASE, DRIVE CHAIN	1-D12	2-25	1	CRANKCASE, L.	1-C4	1-9	3
CENTER, CLUTCH	1-C3	1-7	2	CRANKCASE, R.	1-C4	1-9	1
CHAIN, DRIVE (420M-108) (DAIDO)	1-D12	2-25	2	CRANKSHAFT	1-C5	1-11	1
CHAIN, DRIVE (RK420MZ-108RJ)	1-D12	2-25	2	CUP, OIL	1-D7	2-14	5
CHAMBER SET, FLOAT	1-C7	1-15	5	CUP SET, FUEL STRAINER	1-D9	2-19	4
CIRCLIP	1-D2	2-5	15	CUSHION ASSY., RR.	1-D13	2-27	2
CIRCLIP (19MM)	1-C6	1-13	26	CUSHION, RR. FUEL TANK	1-D9	2-19	11
CIRCLIP, MASTER CYLINDER	1-D7	2-14	14	CUSHION, SEAT	1-D10	2-21	4
CIRCLIP (OUTER) (15MM)	1-D11	2-23	9	CYLINDER, A (CODE A)	1-C1	1-2	1
CIRCLIP (OUTER) (17MM)	1-C6	1-13	25	CYLINDER B	1-C1	1-2	1
CLAMP, BRAKE HOSE	1-D12	2-25	6	CYLINDER C	1-C1	1-2	1
CLAMP, CANISTER HOSE	1-C1	1-3	17	CYLINDER HEAD	1-C1	1-2	3
	1-D15	2-31	19	<b>(D)</b>			
CLAMP, FR. BRAKE HOSE	1-D4	2-9	1	DIAPHRAGM	1-D2	2-5	7
CLAMP, MASTER CYLINDER OIL HOSE	1-D7	2-14	7		1-D7	2-14	12
CLAMP, OVERFLOW TUBE	1-C4	1-9	5	DISK, CLUTCH FRICTION	1-C3	1-7	3
CLIP, BAR	1-C7	1-15	11	DISK, FR. BRAKE	1-D6	2-13	8
CLIP, BRAKE HOSE	1-D4	2-8	1	DISK, RR. BRAKE	1-D8	2-17	8
CLIP, BUMPER SETTING	1-D16	2-32	15	DRUM, GEARSHIFT	1-C7	1-14	5
CLIP, CABLE	1-D1	2-2	7	DUST SEAL	1-D5	2-10	9
CLIP, COVER	1-D10	2-21	8	DUST SEAL (20X32X5) (ARAI)	1-D6	2-13	11
CLIP, PISTON PIN (12MM)	1-C5	1-11	5		1-D8	2-17	16
CLIP, TUBE (B18)	1-C8	1-16	22	DUST SEAL (20X32X5) (NOK)	1-D6	2-13	11
CLIP, TUBE (B8)	1-D10	2-20	22		1-D8	2-17	16
CLIP, TUBE (C11)	1-D15	2-31	21	DUST SEAL (31X41)	1-D12	2-25	8
CLIP, TUBE (D12)	1-D15	2-31	20	DUST SEAL, STEERING HEAD	1-D4	2-8	6
CLIP, TUBE (D8)	1-C8	1-16	23	<b>(E)</b>			
CLUTCH OUTER	1-C3	1-7	1	END, HANDLEBAR	1-D3	2-7	3
COIL, IGNITION	1-D14	2-28	3				
COLLAR (17X30.6)	1-C3	1-7	10				

# DESCRIPTION INDEX

Description	Grid	Page	Ref	Description	Grid	Page	Ref
<b>(F)</b>				HOSE D, WATER . . . . .	1-D15	2-30	16
FENDER, FR. . . . .	1-D4	2-9	2	HOSE, FR. BRAKE . . . . .	1-D2	2-5	1
FILTER, CUP . . . . .	1-D9	2-19	6	HOSE, MASTER CYLINDER OIL . . . . .	1-D7	2-14	6
FLOAT SET . . . . .	1-C7	1-15	3	HOSE, RESERVE TANK . . . . .	1-D15	2-30	9
FLYWHEEL (MITSUBA) . . . . .	1-C4	1-8	3	HOUSING, THROTTLE . . . . .	1-D1	2-3	8
FORK ASSY., L. FR. . . . .	1-D5	2-10	15	HOUSING, THROTTLE (LOWER) . . . . .	1-D1	2-3	10
FORK ASSY., R. FR. . . . .	1-D5	2-10	1	<b>(I)</b>			
FORK, CENTER GEARSHIFT . . . . .	1-C7	1-14	3	IMPELLER, WATER PUMP . . . . .	1-C3	1-6	1
FORK, L. GEARSHIFT . . . . .	1-C7	1-14	2	<b>(J)</b>			
FORK, R. GEARSHIFT . . . . .	1-C7	1-14	1	JET, MAIN (#100) . . . . .	1-C8	1-16	24
FRAME . . . . .	1-D14	2-29	1	JET, MAIN (#102) . . . . .	1-C8	1-16	24
<b>(G)</b>				JET, MAIN (#105) . . . . .	1-C8	1-16	24
GASKET B, REED VALVE . . . . .	1-C1	1-2	9	JET, MAIN (#108) . . . . .	1-C8	1-16	24
GASKET, CRANKCASE . . . . .	1-C4	1-9	2	JET, MAIN (#110) . . . . .	1-C8	1-16	24
GASKET, CYLINDER . . . . .	1-C1	1-2	2	JET, MAIN (#112) . . . . .	1-C8	1-16	24
GASKET, CYLINDER HEAD . . . . .	1-C1	1-2	4	JET, MAIN (#115) . . . . .	1-C8	1-16	24
GASKET, DRAIN VALVE (12.5X20) . . . . .	1-C4	1-9	8	JET, MAIN (#118) . . . . .	1-C8	1-16	24
GASKET, EX. PIPE . . . . .	1-D11	2-22	2	JET, MAIN (#120) . . . . .	1-C8	1-16	24
GASKET, FUEL STRAINER CUP . . . . .	1-D9	2-19	1	JET, SLOW (#42) . . . . .	1-C8	1-16	25
GASKET, R. CRANKCASE COVER . . . . .	1-C2	1-4	2	JOINT, BRAKE ROD . . . . .	1-D7	2-14	15
GASKET, REED VALVE . . . . .	1-C1	1-2	8	<b>(K)</b>			
GASKET SET . . . . .	1-C7	1-15	1	KEY, WOODRUFF (25X14) . . . . .	1-C5	1-11	14
GEAR (C1ST) . . . . .	1-C6	1-12	3	<b>(L)</b>			
GEAR (C?2ND) . . . . .	1-C6	1-12	6	LABEL, CAUTION . . . . .	1-D9	2-19	15
GEAR (C-3RD) . . . . .	1-C6	1-12	8	LEVER, CLUTCH . . . . .	1-C2	1-4	5
GEAR (C-4TH) . . . . .	1-C6	1-12	9	LEVER, FUEL PETCOCK . . . . .	1-D9	2-19	9
GEAR (C-5TH) . . . . .	1-C6	1-12	11	LEVER, L. HANDLEBAR . . . . .	1-D1	2-3	12
GEAR (C-6TH) . . . . .	1-C6	1-12	13	LEVER, R. HANDLEBAR . . . . .	1-D2	2-5	11
GEAR (M2ND) . . . . .	1-C6	1-12	5	<b>(M)</b>			
GEAR (M?3RD?4TH) . . . . .	1-C6	1-12	7	MARK, CAUTION . . . . .	1-D9	2-19	14
GEAR (M-5TH) . . . . .	1-C6	1-12	10	MASTER CYLINDER SET . . . . .	1-D2	2-5	9
GEAR (M-6TH) . . . . .	1-C6	1-12	12	MASTER CYLINDER SUB-ASSY., RR. BRAKE . . . . .	1-D7	2-14	4
GEAR, PRIMARY DRIVE (17T) . . . . .	1-C3	1-7	9	MASTER LINK (DAIDO) . . . . .	1-D12	2-25	3
GEAR, TACHOMETER . . . . .	1-C2	1-4	3	MASTER LINK (TAKASAGO) . . . . .	1-D12	2-25	3
GRIP, L. HANDLE . . . . .	1-D1	2-3	9	MUFFLER, EX. . . . .	1-D11	2-22	3
GRIP, R. HANDLE . . . . .	1-D1	2-3	7	<b>(N)</b>			
GRIP, THROTTLE . . . . .	1-D1	2-3	6	NECK, FILLER (TOYO) . . . . .	1-D15	2-30	3
GROMMET, SIDE COVER (A) . . . . .	1-D3	2-7	1	NEEDLE SET, JET . . . . .	1-C7	1-15	2
GUARD, CHAIN . . . . .	1-D9	2-19	13		1-C7	1-15	16
	1-D12	2-25	9	NUT, CAP (6MM) . . . . .	1-C3	1-6	6
<b>(H)</b>				NUT, FIXING . . . . .	1-D1	2-3	15
HANDLEBAR, L. . . . .	1-D3	2-7	4	NUT, FLANGE (10MM) . . . . .	1-D14	2-29	7
HANDLEBAR, R. . . . .	1-D3	2-7	2	NUT, FLANGE (12MM) . . . . .	1-C3	1-7	12
HOLDER, L. STEP . . . . .	1-D12	2-24	7		1-D6	2-13	10
HOLDER, MASTER CYLINDER . . . . .	1-D2	2-5	6	<b>(N)</b>			
HOLDER, NEEDLE JET . . . . .	1-C7	1-15	15	NECK, FILLER (TOYO) . . . . .	1-D15	2-30	3
HOLDER, R. STEP . . . . .	1-D12	2-24	1	NEEDLE SET, JET . . . . .	1-C7	1-15	2
HOSE A, WATER . . . . .	1-C1	1-2	13		1-C7	1-15	16
HOSE B, WATER . . . . .	1-C1	1-2	14	NUT, CAP (6MM) . . . . .	1-C3	1-6	6
HOSE C, WATER . . . . .	1-D15	2-30	15	NUT, FIXING . . . . .	1-D1	2-3	15
HOSE COMP, RR. BRAKE . . . . .	1-D7	2-14	1	NUT, FLANGE (10MM) . . . . .	1-D14	2-29	7
				NUT, FLANGE (12MM) . . . . .	1-C3	1-7	12
					1-D6	2-13	10

# DESCRIPTION INDEX

Description	Grid	Page	Ref	Description	Grid	Page	Ref
NUT, FLANGE (12MM)	1-D8	2-17	13	PIN A, BOLT	1-D6	2-12	7
	1-D12	2-25	16	PIN A, DOWEL (8X14)	1-C2	1-4	16
NUT, FLANGE (4MM)	1-D16	2-33	20		1-C3	1-6	12
NUT, FLANGE (6MM)	1-D1	2-2	8	PIN, BOLT	1-D8	2-16	11
	1-D2	2-5	17	PIN, COTTER (2.0X15)	1-D7	2-15	25
	1-D7	2-15	24		1-D12	2-24	10
	1-D16	2-33	21	PIN D, JOINT	1-D7	2-15	27
NUT, FLANGE (8MM)	1-C1	1-3	22	PIN, DOWEL (8X20)	1-C4	1-9	15
	1-D10	2-20	19	PIN, HANGER	1-D6	2-12	13
	1-D11	2-22	4		1-D8	2-16	15
	1-D14	2-29	6	PIN, PISTON	1-C5	1-11	4
NUT, HEX. (12MM)	1-C4	1-8	6	PIN, SHIFT RETURN SPRING	1-C7	1-14	12
NUT, HEX. (5MM)	1-D2	2-4	19	PIN, SPRING	1-D7	2-15	26
NUT, HEX. (6MM)	1-C1	1-3	21	PIN, STEP BAR	1-D12	2-24	3
	1-D2	2-4	20	PIPE, FR. FORK	1-D5	2-10	5
	1-D13	2-26	19	PIPE, INLET	1-C1	1-2	10
NUT, HEX. (8MM)	1-D7	2-15	22	PIPE, SEAT (SHOWA)	1-D5	2-10	13
	1-D7	2-15	23	PISTON	1-D8	2-16	3
NUT, LOCK (14MM)	1-C3	1-7	13	PISTON A	1-C5	1-11	3
NUT, SIDE STAND	1-D11	2-23	8	PISTON B	1-C5	1-11	3
NUT, SPECIAL (6MM)	1-D12	2-25	15	PISTON C	1-C5	1-11	3
NUT, SPEED	1-D10	2-21	7	PISTON (NISSIN)	1-D6	2-12	5
NUT, SPRING (5MM)	1-D16	2-32	18	PISTON SET, MASTER CYLINDER	1-D7	2-14	8
NUT, STEERING STEM	1-D3	2-7	7	PLATE, CLUTCH	1-C3	1-7	4
NUT, TORQUE	1-D6	2-12	15	PLATE, CLUTCH LIFTER	1-C3	1-7	6
NUT, U (10MM)	1-D8	2-17	12	PLATE, CLUTCH PRESSURE	1-C3	1-7	5
				PLATE, DIAPHRAGM	1-D2	2-5	8
<b>(O)</b>					1-D7	2-14	13
OIL SEAL (12X21X4) (ARAI)	1-C3	1-6	11	PLATE, DRIVE SPROCKET FIXING	1-C6	1-12	15
OIL SEAL (12X21X4) (NOK)	1-C3	1-6	11	PLATE, DRUM CAM	1-C7	1-14	6
OIL SEAL (12X22X7) (ARAI)	1-C4	1-9	14	PLATE, FR. NUMBER	1-D16	2-32	4
OIL SEAL (17X28X7)	1-C6	1-13	27	PLATE, RADIATOR	1-D15	2-30	2
OIL SEAL (20X32X7) (NOK)	1-C4	1-9	13	PLATE, RR.	1-D14	2-29	2
OIL SEAL (26X37X6)	1-D8	2-17	15	PLATE, SETTING	1-D1	2-3	4
OIL SEAL (28X40X8)	1-C5	1-11	12	PLATE, SPRING JOINT	1-D5	2-10	4
OIL SEAL (6.5X14.5X7) (ARAI)	1-C2	1-4	13	PLUG, HANDLEBAR BRACKET	1-D2	2-5	10
O-RING (14.8X2.4)	1-D7	2-15	19	PLUG, PIN	1-D6	2-12	11
O-RING (16MM)	1-C2	1-4	15		1-D8	2-16	14
O-RING (18.5X1.8)	1-C5	1-11	13	PLUG, SEAL (22)	1-C4	1-9	10
O-RING (23X2.8)	1-D5	2-11	20	PLUG, SEALING (28) (ARAI)	1-C2	1-4	12
O-RING (8.8X1.9)	1-C2	1-4	14	PROTECTOR	1-D2	2-5	4
O-RING (9MM)	1-C2	1-4	14	PUSH ROD	1-D7	2-14	9
O-RING (9X1.3)	1-D9	2-19	5				
O-RING, THERMOSTAT (27.5X2.4)	1-C1	1-2	11	<b>(R)</b>			
O-RING, WATER PUMP	1-C3	1-6	4	RACE, STEERING CONE (LOWER)	1-D4	2-8	5
				RACE, STEERING CONE (UPPER)	1-D4	2-8	4
				RACE, STEERING TOP BALL	1-D4	2-8	2
				RADIATOR ASSY.	1-D15	2-30	1
<b>(P)</b>				RECEIVER, CLUTCH CABLE	1-C2	1-4	7
PAD SET, BRAKE	1-D8	2-16	2	RETAINER	1-D8	2-16	6
PAD SET, FR.	1-D6	2-12	2	RETAINER (6MM)	1-D10	2-21	2
PEDAL, GEARSHIFT	1-D11	2-23	1		1-D16	2-32	8
PEDAL, RR. BRAKE	1-D11	2-23	3	RING, BACK-UP	1-D5	2-10	7
PETCOCK ASSY.	1-D9	2-19	2	RING, OIL SEAL STOPPER	1-D5	2-11	19
PIECE, OIL LOCK	1-D5	2-10	10	RING, PISTON	1-D5	2-10	11

# DESCRIPTION INDEX

Description	Grid	Page	Ref	Description	Grid	Page	Ref
RING SET, PISTON (STD) .....	1-C5	1-11	2	SPRING, FR. FORK KGF/MM (K=0) (.55) (SHOWA) ...	1-D5	2-10	2
ROD, CLUTCH LIFTER .....	1-C3	1-7	7	SPRING, FR. FORK REBOUND .....	1-D5	2-10	6
ROLLER (4X15.8) .....	1-C7	1-14	15	SPRING, GEARSHIFT ARM .....	1-C7	1-14	10
RUBBER B, SEAT STOPPER .....	1-D10	2-21	5	SPRING, GEARSHIFT RETURN .....	1-C7	1-14	11
RUBBER, FR. FUEL TANK .....	1-D16	2-32	1	SPRING, L. STEP RETURN .....	1-D12	2-24	4
RUBBER, FR. TANK STAY .....	1-D9	2-19	8	SPRING, PAD .....	1-D6	2-12	6
RUBBER, GEARSHIFT PEDAL .....	1-D11	2-23	2		1-D8	2-16	4
RUBBER, IGNITION CONTROL MODULE .....	1-D14	2-28	1	SPRING, R. STEP RETURN .....	1-D12	2-24	2
RUBBER, PROTECTOR .....	1-D9	2-19	10	SPRING, RR. SHOCK ABSORBER (K=18.5KGF) .....	1-D13	2-27	3
RUBBER, RADIATOR SETTING .....	1-D15	2-30	5	SPRING, RR. SHOCK ABSORBER MM (K=18.0KGF) ..	1-D13	2-27	3
	1-D15	2-30	6	SPRING, RR. SHOCK ABSORBER MM (K=19.0KGF) ..	1-D13	2-27	3
RUBBER, SEAL .....	1-C4	1-8	2	SPRING, SIDE STAND .....	1-D11	2-23	6
RUBBER, SPEEDOMETER .....	1-D1	2-2	1	SPROCKET, DRIVE (14T) .....	1-C6	1-12	14
				SPROCKET, FINAL DRIVEN (42T) .....	1-D8	2-17	1
<b>(S)</b>				STATOR .....	1-C4	1-8	4
SCREEN SET, FUEL STRAINER .....	1-D9	2-19	3	STAY, FR. COWL (UPPER) .....	1-D1	2-2	5
SCREW, BLEEDER .....	1-D6	2-12	3	STAY L, FR. COWL .....	1-D16	2-32	9
	1-D8	2-16	9	STAY L, RR. COWL .....	1-D16	2-32	11
SCREW, FAIRING SETTING .....	1-D16	2-32	16	STAY R, FR. COWL .....	1-D16	2-32	12
SCREW, FLAT (4X12) .....	1-D2	2-5	16	STAY R, RR. COWL .....	1-D16	2-32	10
	1-D7	2-15	20	STEM SUB-ASSY., STEERING .....	1-D4	2-8	8
SCREW, PAN (3X6) .....	1-C1	1-3	20	STOPPER A, RADIATOR FLUID .....	1-D15	2-30	13
SCREW, PAN (4X12) .....	1-D1	2-3	5	STOPPER, GEARSHIFT DRUM .....	1-C7	1-14	7
SCREW, PAN (4X8) .....	1-D9	2-19	18	STOPPER, RADIATOR FLUID .....	1-D15	2-30	12
SCREW, PAN (5X20) .....	1-D1	2-3	17	STOPPER, REED VALVE .....	1-C1	1-2	7
SCREW, PAN (5X22) .....	1-D1	2-3	18	STOPPER, SEAL .....	1-C4	1-9	4
SCREW, PAN (6X14) .....	1-D16	2-32	17	STUD (6X14) .....	1-D10	2-21	1
SCREW SET, A .....	1-C7	1-15	6		1-D16	2-32	7
SCREW SET B .....	1-C7	1-15	8	SUB-ASSY., FR. MASTER CYLINDER .....	1-D2	2-5	3
SCREW, SPECIAL (5MM) .....	1-D16	2-32	14	SWINGARM SET .....	1-D12	2-25	11
SCREW-WASHER (4X12) .....	1-D7	2-15	21	SWITCH ASSY., KILL .....	1-D1	2-3	3
SCREW-WASHER (4X14) .....	1-D16	2-33	19				
SCREW-WASHER (4X16) .....	1-C8	1-16	21	<b>(T)</b>			
SEAL, MECHANICAL .....	1-C3	1-6	2	TACHOMETER ASSY. ....	1-D1	2-2	2
SEAL SET, FR. FORK .....	1-D5	2-10	14	TANK, CATCH .....	1-C8	1-16	19
SEAL SET, PISTON .....	1-D6	2-12	1	TANK, FUEL .....	1-D9	2-19	7
	1-D8	2-16	1	TANK, RESERVE .....	1-D15	2-30	8
SEAT, SINGLE .....	1-D10	2-21	3	THREAD, STEERING HEAD TOP .....	1-D4	2-8	9
SENDING UNIT, WATER TEMPERATURE (DENSO) ..	1-C1	1-2	15	TIE-WRAP (3.6X281) .....	1-C8	1-16	20
SHAFT, BALANCER .....	1-C5	1-11	6	TIRE ASSY., FR. ....	1-D6	2-13	7
SHAFT, BALANCER IDLE .....	1-C5	1-11	7	TIRE ASSY., RR. ....	1-D8	2-17	6
SHAFT, GEARSHIFT FORK .....	1-C7	1-14	4	TOP SET .....	1-C7	1-15	4
SHAFT, MAIN .....	1-C6	1-12	1	TUBE, OIL .....	1-C8	1-16	17
SHAFT, WATER PUMP .....	1-C3	1-6	5	TUBE, OVERFLOW .....	1-C7	1-15	13
SLIDER, CHAIN .....	1-D12	2-25	10	TUBE, VINYL (7X11X340) .....	1-D15	2-31	22
SLIDER, L. FR. FORK .....	1-D5	2-11	16	TY-LAP (2.4X92) .....	1-D14	2-29	5
SLIDER, R. FR. FORK .....	1-D5	2-10	8		1-D15	2-30	18
SPARK PLUG (BR9ES) (NGK) .....	1-C1	1-3	25				
SPINDLE, GEARSHIFT .....	1-C7	1-14	9	<b>(U)</b>			
SPRING ASSY., BRAKE PEDAL .....	1-D11	2-23	4	UNIT, CDI .....	1-D14	2-28	2
SPRING, CLUTCH .....	1-C3	1-7	8				
SPRING, CLUTCH LEVER .....	1-C2	1-4	6				
SPRING, DRUM STOPPER .....	1-C7	1-14	8				
SPRING, FR. FORK KGF/MM (K=0) (.5) (SHOWA) ...	1-D5	2-10	2				



# DESCRIPTION INDEX

Description	Grid	Page	Ref	Description	Grid	Page	Ref
<b>(V)</b>							
VALVE, FLOAT .....	1-C7	1-15	14				
VALVE ONLY, REED .....	1-C1	1-2	6				
VALVE, REED .....	1-C1	1-2	5				
VALVE, RIM (DUNLOP) .....	1-D6	2-13	1				
	1-D8	2-17	7				
VALVE SET, STARTER .....	1-C7	1-15	9				
VALVE SET, THROTTLE .....	1-C7	1-15	7				
<b>(W)</b>							
WASHER (8MM) .....	1-D9	2-19	17				
WASHER (8X13) .....	1-C3	1-6	9				
WASHER A, SEALING (6MM) .....	1-C3	1-6	8				
WASHER A, SPLINE (19MM) .....	1-C6	1-13	22				
WASHER A, TACHOMETER .....	1-C2	1-4	9				
WASHER B, THRUST (14MM) .....	1-C3	1-7	15				
WASHER, CHAIN CASE SETTING .....	1-D13	2-26	17				
WASHER, LOCK (19MM) .....	1-C6	1-13	23				
WASHER, MUFFLER .....	1-D11	2-22	1				
WASHER, OIL BOLT .....	1-D2	2-5	14				
	1-D7	2-15	18				
WASHER, PLAIN (12MM) .....	1-C3	1-7	16				
	1-D8	2-17	14				
WASHER, PLAIN (17MM) .....	1-C3	1-7	14				
WASHER, PLAIN (8MM) .....	1-D12	2-24	9				
WASHER, SEAL (12MM) .....	1-C4	1-8	5				
WASHER, SEALING (6.5X12) .....	1-C2	1-4	11				
	1-C3	1-6	10				
WASHER, SPECIAL (8MM) .....	1-D5	2-11	18				
WASHER, SPLINE (17MM) .....	1-C6	1-13	20				
WASHER, SPRING (3MM) .....	1-C1	1-3	23				
WASHER, SPRING (4MM) .....	1-D10	2-20	20				
WASHER, STEERING HEAD DUST SEAL .....	1-D4	2-8	7				
WASHER, STEERING STEM .....	1-D3	2-7	8				
WASHER, THRUST (11MM) .....	1-C4	1-9	9				
WASHER, THRUST (12MM) .....	1-C6	1-12	18				
WASHER, THRUST (15MM) .....	1-C6	1-13	21				
WASHER, THRUST (16.5MM) .....	1-C6	1-13	19				
WASHER, THRUST (17.2MM) .....	1-C6	1-12	17				
WASHER, THRUST (17MM) .....	1-C6	1-13	24				
WASHER, THRUST (6.7MM) .....	1-C2	1-4	10				
WASHER, WAVE (NISSIN) .....	1-D6	2-12	14				
WHEEL SUB-ASSY., FR. ....	1-D6	2-13	6				
WHEEL SUB-ASSY., RR. ....	1-D8	2-17	5				
WINDSCREEN ASSY. ....	1-D16	2-32	2				
WIRE HARNESS .....	1-D14	2-28	5				
WRENCH, PLUG A .....	1-C1	1-3	16				